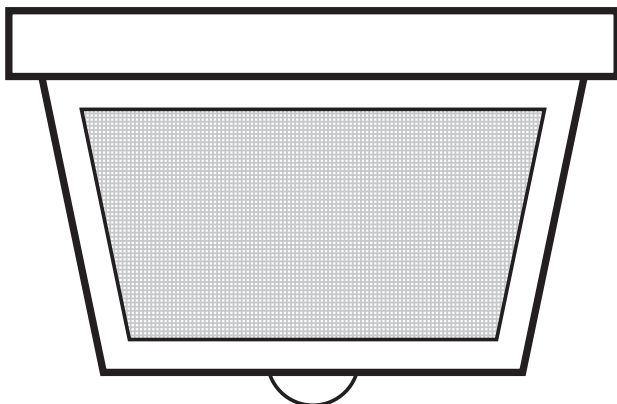




Item #1000020212
1000020216
Model #HB-4305-BK
HB-4305-WH

USE AND CARE GUIDE

DECORATIVE MOTION LIGHT



Questions, problems, missing parts?

Before returning to the store, call Hampton Bay Customer Service
8 a.m.-6 p.m., EST, Monday-Friday, 9 a.m. - 6 p.m., EST, Saturday

1-855-HD-HAMPTON

HAMPTONBAY.COM

THANK YOU

We appreciate the trust and confidence you have placed in Hampton Bay through the purchase of this decorative motion light. We strive to continually create quality products designed to enhance your home. Visit us online to see our full line of products available for your home improvement needs. Thank you for choosing Hampton Bay!

Table of Contents

Table of Contents	2	Hardware Included.....	4
Safety Information.....	2	Package Contents	4
Warranty	2	Installation	5
2-Year Limited Warranty	2	Wiring Options	7
Pre-Installation.....	3	Operation.....	8
Planning Installation	3	Care and Cleaning	10
Specifications	3	Troubleshooting	10
Tools Required	3		

Safety Information

PRECAUTIONS

- Please read and understand this entire manual before attempting to assemble, install, or operate this light fixture.
- This light fixture requires a 120V AC power source.
- Some codes require installation by a qualified electrician.
- This light fixture must be properly grounded.
- For best performance, this light fixture should be mounted approximately 8 ft. (2.4 m) above the ground.



WARNING: Turn the power off at the circuit breaker or fuse. Place tape over the circuit breaker switch and verify power is off at the light fixture.



CAUTION: Burn hazard. Allow the light fixture to cool before touching.

NOTICE: Do not connect this light fixture to a dimmer switch or timer.

- This device complies with Part 15 of the FCC Rules. Operation is subject to the following two conditions: (1) this device may not cause harmful interference, and (2) this device must accept any interference received, including interference that may cause undesired operation.

Warranty

2-YEAR LIMITED WARRANTY

WHAT IS COVERED

This product is guaranteed to be free of factory defective parts and workmanship for a period of 2 years from date of purchase. Purchase receipt is required for all warranty claims.

WHAT IS NOT COVERED

This warranty does not include expendable items (such as light bulbs, batteries, etc.), repair service, adjustment and calibration due to misuse, abuse or negligence. Unauthorized service or modification of the product or of any furnished component will void this warranty in its entirety. This warranty does not include reimbursement for inconvenience, installation, setup time, loss of use, unauthorized service, or return shipping charges. This warranty is not extended to other equipment and components that a customer uses in conjunction with this product.

Contact the Customer Service Team at 1-855-HD-HAMPTON or visit www.hamptonbay.com.

Pre-Installation

PLANNING INSTALLATION

Before installing the light fixture, ensure that all parts are present. Compare parts with the *Hardware Included* and *Package Contents* sections. If any part is missing or damaged, do not attempt to assemble, install, or operate this light fixture.

Estimated installation time: 30 minutes

SPECIFICATIONS

Range	Up to 30 ft. (9.1 m) (Varies with surrounding temperature)
Sensing angle	Up to 360°
Electrical load	100 Watts (Up to 25 watt maximum per bulb holder)
Bulb type	Candelabra base, type "B", 25 watt maximum
Sensor capacity	Up to 500 Watt (4.2 A) maximum tungsten
Power requirements	120 VAC, 60 Hz
Operating modes	Test, Motion activated, Manual
Time delay	1, 5, 10 minutes

TOOLS REQUIRED



Phillips
screwdriver



1/8 in. Flathead
screwdriver



Wire strippers/
cutters



Circuit tester



Work gloves



Silicone
sealant



Ladder



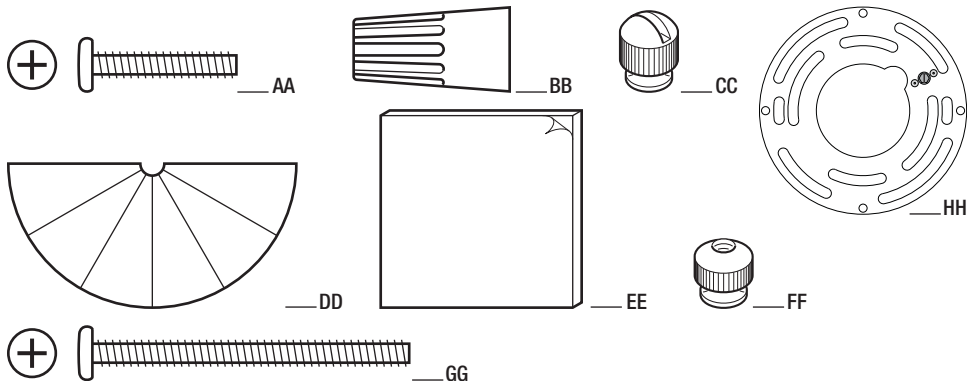
Safety goggles

Pre-Installation (continued)

HARDWARE INCLUDED

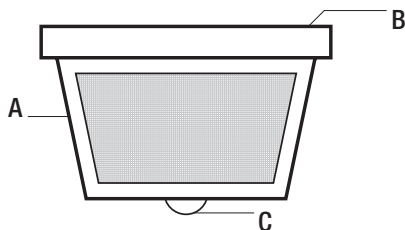


NOTE: Hardware shown to actual size.



Part	Description	Quantity
AA	Mounting bracket screw	2
BB	Wire connector	3
CC	Decorative fixture nut (pre-installed)	2
DD	Motion sensor lens shield	2
EE	Double-sided tape	1
FF	Decorative mounting nut (pre-installed)	2
GG	Large mounting screw (pre-installed)	2
HH	Mounting bracket (pre-installed, not to scale)	1

PACKAGE CONTENTS

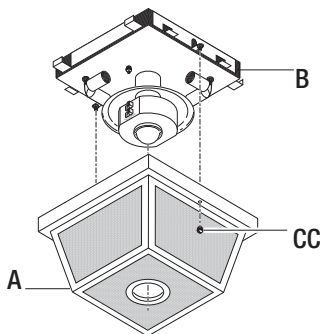


Part	Description	Quantity
A	Light fixture cover	1
B	Light fixture base (pre-installed)	1
C	Motion sensor	1

Installation

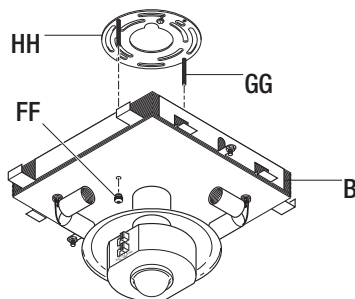
1 Removing the light fixture cover

- Remove the two decorative fixture nuts (CC) from the light fixture cover (A).
- Remove the light fixture cover (A) from the light fixture base (B).



2 Removing the mounting bracket

- Remove the two decorative mounting nuts (FF) from the large mounting screws (GG).
- Remove the mounting bracket (HH) from the light fixture base (B).

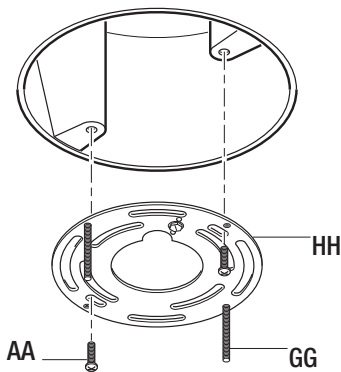


3 Installing the mounting bracket



WARNING: Turn the power off at the circuit breaker or fuse. Place tape over the circuit breaker switch and verify power is off at the light fixture.

- Remove the existing light fixture.
- Tighten the two large mounting screws (GG) finger tight into the mounting bracket (HH).
- Attach the mounting bracket (HH) to the junction box (not included) securely with the two mounting bracket screws (AA).
- Firmly pull on the mounting bracket (HH) to verify it is securely mounted to the junction box. If necessary, use the screws that were removed from the existing light fixture.



4 Wiring the light fixture

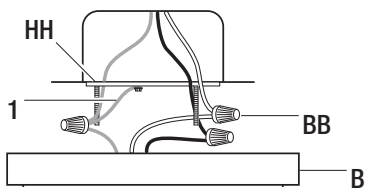


NOTE: This light fixture can be wired to control another standard or motion sensing light fixture(s). See Wiring Options for additional wiring methods.

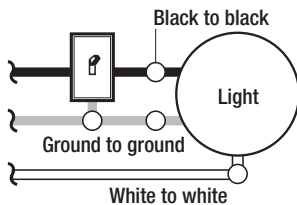


CAUTION: DO NOT remove wire connector from RED wire or connect the RED wire unless you want to control other lights from this motion sensor fixture.

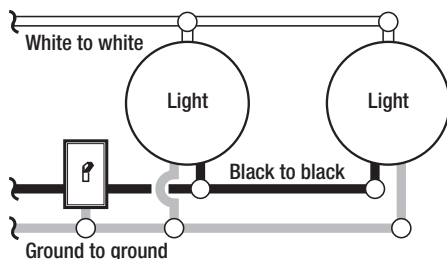
- Route the junction box wires through the large hole in the mounting bracket (HH) and connect to the wires on the light fixture base (B).
- Using the wire connectors (BB):
 - Connect all white wires together.
 - Connect all black wires together.
 - Recommended grounding method: Attach a copper wire pigtail (1) (not included) to the green ground screw on the mounting bracket (HH).



- Connect all ground wires to the pigtail wire (1) attached to the green ground screw.



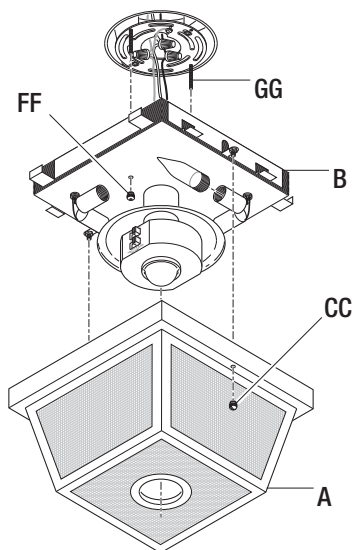
One motion sensing light



Two motion sensing lights (working independently)

5 Mounting the light fixture base

- Push the wires into the junction box.
- Slide the light fixture base (B) onto the large mounting screws (GG) and tighten the decorative mounting nuts (FF) against the base (B).
- Install four candelabra base light bulbs (25 watt maximum each - not included).
- See the Operation section for testing and setup.
- After the testing and setup is complete, use the two decorative fixture nuts (CC) to install the light fixture cover (A).



Wiring Options

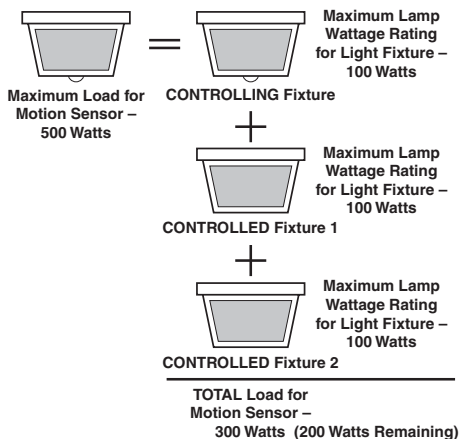
1 Determining maximum wattage when adding light fixtures



NOTE: All wiring should be run in accordance with the National Electrical Code through conduit or another acceptable means. Contact a qualified electrician if there is any question as to the suitability of the system.

When controlling an additional light fixture(s), the maximum wattage of the motion sensor (C) on this light fixture (B) should be observed. See the illustration to the right for an example of a maximum lamp wattage load calculation.

IMPORTANT: When determining the maximum lamp wattage rating of the light fixture to be controlled, refer to the maximum lamp wattage label on the fixture and not the wattage rating on the lamp(s) currently installed in the fixture.

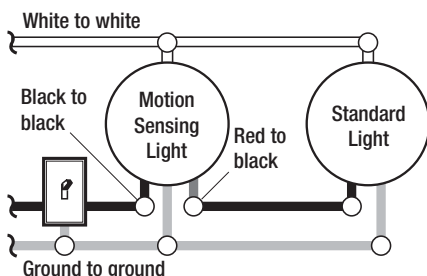


2 Controlling a standard light fixture(s)

IMPORTANT: Total fixture ratings must not exceed 500 Watts (4.2 A).

When wiring to control a standard light fixture:

- Strip the red wire on the light fixture (B) and connect it to the standard light's black wire.
- Connect all white wires together.
- Connect all ground wires together.



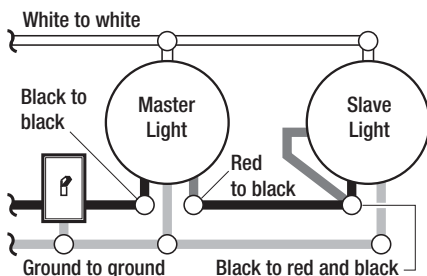
Wiring the motion sensing light to control a standard light

3 Controlling a motion sensing light fixture(s)

IMPORTANT: Total fixture ratings must not exceed 500 Watts (4.2 A).

When wiring to control another motion sensing light fixture (Master / Slave):

- Strip the red wire in both light fixtures. Connect the red wire of the controlling (master) fixture (B) to the red and black wires of the controlled (slave) fixture.
- Connect all white wires together.
- Connect all ground wires together.



Wiring the motion sensing light to control another motion sensing light

Wiring Options (continued)

4 Wiring motion sensing lights to control each other

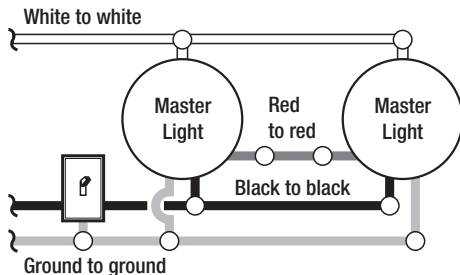
IMPORTANT: Total fixture ratings must not exceed 500 Watts (4.2 A).

When wiring so either motion light turns on both motion lights (Master / Master):

- Strip the red wire in both light fixtures. Connect the red wire of one fixture to the red wire of the second fixture.
- Connect all white wires together.
- Connect all black wires together.
- Connect all ground wires together.



NOTE: In most installations, an additional wire (same gauge as existing house wire) will have to be installed in the house to connect the two fixtures as master / master.



Wiring multiple motion sensing lights to control each other

Operation

1 Setting the sensor for testing

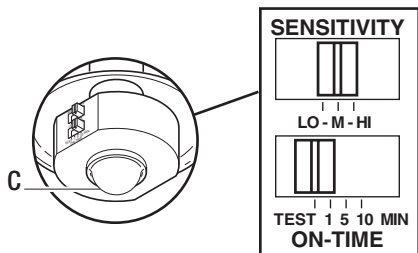


NOTE: When the "ON-TIME" switch is set to the "TEST" position, the light fixture will operate during the day or night. The light will stay on for 5 seconds after all motion is stopped.

- Turn the power on at the circuit breaker or fuse and turn on the wall switch.
- Set the "ON-TIME" switch to the "TEST" position.
- Slide the "SENSITIVITY" switch to the "M" position.

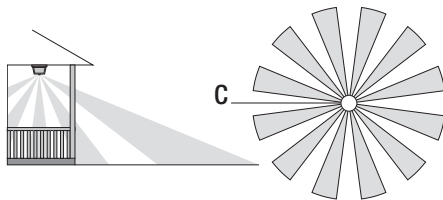


NOTE: The motion sensor (C) will need to completely warm up (90 seconds) before beginning the setup process.



2 Determining the motion sensor coverage area

- Perform a "walk test": walk in an arc in front of the motion sensor (C).
- Watch the light. The light will come on when motion has been detected.
- Stop, wait for the light to turn off, and then begin walking again.
- Continue this process until the detection zone has been established.



3 Adjusting the SENSITIVITY switch

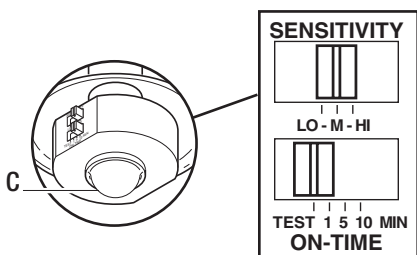
- To increase the detection zone, slide the "SENSITIVITY" switch toward the "HI" position.
- To decrease the detection zone, slide the "SENSITIVITY" switch toward the "LO" position.



NOTE: The motion sensor (C) is more sensitive to motion moving across the front of the sensor. The motion sensor (C) is less sensitive to motion moving directly toward the front of the sensor.



NOTE: The higher the "SENSITIVITY" setting, the greater the possibility of false triggering. To reduce false triggering, slide the "SENSITIVITY" switch toward the "LO" setting.

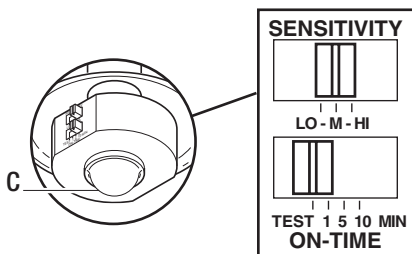


4 Adjusting the ON-TIME switch



NOTE: The "ON-TIME" switch determines the amount of time the light will stay on full bright after all motion has stopped.

- Set the "ON-TIME" switch to the 1, 5, or 10 minute position.

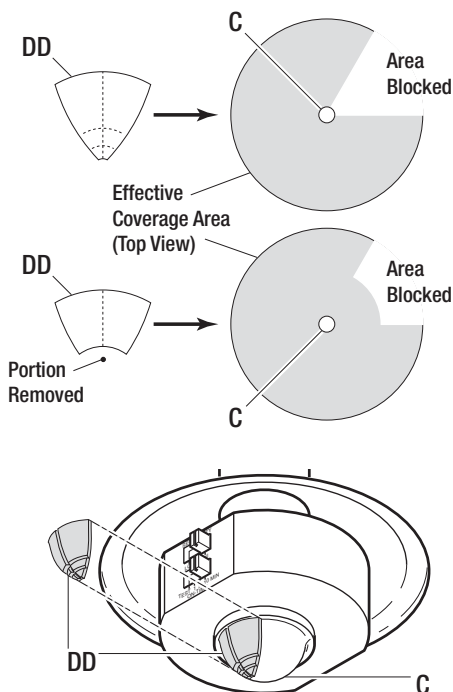


5 Adjusting the motion sensor coverage area

The motion sensor (C) detects "motion" by the movement of heat (body heat) across the coverage area. If you suspect a heat source other than body heat is falsely triggering the motion sensor (C) and reducing the sensitivity does not solve the problem, then a lens shield (DD) can be installed.

The plastic lens shield (DD) is divided into 6 sections. Each section will reduce the coverage angle by 30 degrees. Also, the tip of each section may be removed to change the effective range of the motion sensor (C).

- Break off the amount of the lens shield (DD) needed to block the desired area of coverage.
- Cut the desired amount of double-sided tape (EE) needed for the lens shield (DD).
- Remove the paper backing from one side of the cut double-sided tape (EE) and adhere it to the inside of lens shield (DD).
- Remove the paper backing from other side of the cut double-sided tape (EE) and adhere the lens shield (DD) to the sensor (C) lens.
- Retest to confirm the sensor (C) is no longer false triggering.



Operation (continued)

6 Using manual mode

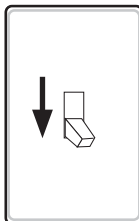


NOTE: Manual mode overrides the motion sensor (C) and “ON-TIME” control so the light will operate full bright. This feature only works at night and only for one night at a time. The motion sensor (C) will reset to motion sensing mode after 6 hours or sunrise, whichever comes first. Manual mode can be toggled on and off using a wall switch.

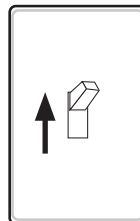
- To turn manual mode on, switch the light off at the wall switch for 1 to 3 seconds and then back on.
- To turn manual mode off, switch the light off at the wall switch for 1 to 3 seconds and then back on.



NOTE: If the power to the light fixture is off for more than 5 seconds, allow the motion sensor to warm up prior to switching to manual mode.



Turn the switch
OFF for 1 to 3
seconds



Turn the
switch
back ON

Care and Cleaning

- To prolong the original appearance, clean the light fixture with clear water and a soft, damp cloth only.
- Do not use paints, solvents, or other chemicals on this light fixture. They could cause a premature deterioration of the finish. This is not a defect in the finish and will not be covered by the warranty.
- Do not spray the light fixture with a hose or power washer.

Troubleshooting

Problem	Possible Cause	Solution
The light will not come on.	<ul style="list-style-type: none">□ The light switch is turned off.□ The fuse is blown or the circuit breaker is turned off.□ Bulbs are loose or burned out.□ Daylight turn-off (photocell) is in effect.□ The circuit wiring is incorrect (if this is a new installation).□ The outside air temperature is close to the same as a person's body heat.	<ul style="list-style-type: none">□ Turn the light switch on.□ Replace the fuse or turn the circuit breaker on.□ Inspect bulbs and replace if needed.□ Recheck after dark.□ Verify the wiring is correct.□ Increase the “Sensitivity” setting.
The light comes on during the day.	<ul style="list-style-type: none">□ The motion sensor may be installed in a relatively dark location.□ The “ON-TIME” switch is in the “TEST” position.	<ul style="list-style-type: none">□ The light fixture is operating normally under these circumstances.□ Set the “ON-TIME” switch to the 1, 5, or 10 minute setting.

Troubleshooting (continued)

Problem	Possible Cause	Solution
The light comes on for no apparent reason.	<ul style="list-style-type: none"> □ The motion sensor may be sensing small animals or automobile traffic. □ The “Sensitivity” setting is set too high. □ The outside temperature is much warmer or cooler than a person’s body heat (summer or winter). □ The light fixture is wired through a dimmer or timer. 	<ul style="list-style-type: none"> □ Decrease the “Sensitivity” setting or use the lens shield to reduce the coverage area. □ Decrease the “Sensitivity” setting. □ Decrease the “Sensitivity” setting. □ Do not use a dimmer or timer to control the light fixture. Replace the dimmer or timer with a standard on/off wall switch.
The lights stay on continuously.	<ul style="list-style-type: none"> □ The motion sensor may be picking up a heat source, such as an air vent, dryer vent, or brightly painted, heat-reflective surface. □ The motion sensor is in manual mode. □ The “Sensitivity” setting is set too high. □ The light fixture is wired through a dimmer or timer. □ The light fixture is on the same circuit as a motor, transformer, or fluorescent bulb. 	<ul style="list-style-type: none"> □ Decrease the “Sensitivity” setting or use the lens shield to reduce the coverage area. □ Switch the motion sensor to auto. See <i>Using manual mode</i> on page 10. □ Decrease the “Sensitivity” setting. □ Do not use a dimmer or timer to control the light fixture. Replace the dimmer or timer with a standard on/off wall switch. □ Install the light fixture on a circuit without motors, transformers, or fluorescent bulbs.
The lights flash on and off.	<ul style="list-style-type: none"> □ Heat is being reflected from other objects and may be turning the motion sensor on and off. 	<ul style="list-style-type: none"> □ Decrease the “Sensitivity” setting or reposition the motion sensor.
The lights flash once then stay off in manual mode.	<ul style="list-style-type: none"> □ Nearby large, light-colored objects reflecting light may trigger the shut-off feature. 	<ul style="list-style-type: none"> □ Do not point other lights at the sensor.



Questions, problems, missing parts?
Before returning to the store, call Hampton Bay Customer Service
8 a.m.-6 p.m., EST, Monday-Friday, 9 a.m. - 6 p.m., EST, Saturday

1-855-HD-HAMPTON

HAMPTONBAY.COM

Retain this manual for future use.



Artículo #1000020212

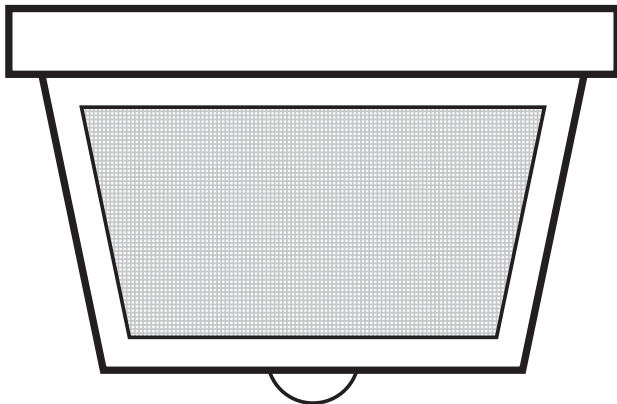
1000020216

Modelo #HB-4305-BK

HB-4305-WH

GUÍA PARA EL USO Y CUIDADO

LUZ DECORATIVA DETECTORA DE MOVIMIENTO



¿Tiene preguntas, problemas o piezas faltantes?

Antes de devolverlo a la tienda, llame a Servicio al Cliente de Defiant de 08 a.m.-6 p.m., EST, Lunes - Viernes, 09 a.m.-6 p.m., EST, sábado.

1-855-HD-HAMPTON

HAMPTONBAY.COM

GRACIAS

Agradecemos la confianza que ha depositado en Hampton Bay al comprar esta luz decorativa detectora de movimiento. Procuramos crear continuamente productos de calidad diseñados para mejorar su hogar. Visitenos en internet para ver nuestra línea completa de productos disponibles que necesita para el mejoramiento de su hogar.

¡Gracias por escoger Hampton Bay!

Contenido

Contenido	16	Ferretería Incluida.....	18
Información de seguridad	16	Contenido del Paquete.....	18
Garantía.....	16	Instalación	19
2 años de garantía limitada	16	Opciones de cableado	21
Antes de la instalación.....	17	Operación.....	22
Planificación de la Instalación	17	Cuidado y limpieza	25
Especificaciones	17	Análisis de averías	25
Herramientas Requeridas	17		

Información de seguridad

PRECAUCIONES

- Por favor lea y entienda todo este manual antes de tratar de ensamblar, instalar u operar este aparato de luz.
- Esta lámpara requiere una fuente de alimentación de 120 voltios de CA.
- Algunos códigos exigen que la instalación la realice un electricista calificado.
- Este aparato de luz debe estar correctamente conectado a tierra.
- Esta lámpara debe ser instalada aproximadamente a 8 pies (2,4 m) por encima del suelo.



ADVERTENCIA: Desconecte la energía eléctrica en el disyuntor o en el fusible. Coloque cinta aislante sobre el interruptor disyuntor y compruebe que no haya energía eléctrica en el aparato de luz.



PRECAUCIÓN: Peligro de quemaduras. Deje que el aparato de luz se enfríe antes de tocarlo.

AVISO: No conecte este aparato de luz a un interruptor reductor de luz ni a un temporizador.

- Este aparato cumple con la Parte 15 de las Reglas de la FCC. La operación está sujeta a las dos siguientes condiciones: (1) este aparato no puede causar interferencias perjudiciales y (2) este aparato debe aceptar cualquier interferencia recibida, incluyendo una interferencia que pueda causar un funcionamiento indeseado.

Garantía

2 AÑOS DE GARANTÍA LIMITADA

LO QUE SE CUBRE

Se garantiza que este producto no tiene partes defectuosas de fábrica o de mano de obra por un período de 2 años desde la fecha de compra. Se necesita el recibo de compra para todos los reclamos de garantía.

LO QUE NO SE CUBRE

Esta garantía no incluye los artículos reemplazables (como bombillas, pilas etc.), servicio de reparación, ajuste y calibración debido al mal uso, abuso o negligencia. Los servicios no autorizados o las modificaciones hechas al producto o a cualquier componente invalidarán esta garantía en su totalidad. Esta garantía no incluye reembolso por inconveniencia, instalación, tiempo de instalación, pérdida de uso, servicio no autorizado, o gastos de envío. Esta garantía no se extiende a otros equipos o componentes que el consumidor usa junto con este producto.

Póngase en contacto con el personal de servicio al cliente al 1-855-HD-HAMPTON o visite el sitio www.hamptonbay.com.

Antes de la instalación

PLANIFICACIÓN DE LA INSTALACIÓN

Antes de instalar el aparato de luz, esté seguro que estén todas las piezas. Compare las piezas con la *Ferretería incluida* y las secciones de *Contenidos del paquete*. Si cualquier pieza falta o está dañada, no intente ensamblar, instalar ni operar este aparato de luz.

Tiempo estimado para la instalación: 30 minutos

ESPECIFICACIONES

Alcance	Hasta 30 pies (9,1 m) (Varía con la temperatura circundante)
Ángulo de detección	Hasta 360°
Carga eléctrica	100 Vatios (hasta 25V máximo por cada portalámparas)
Tipo de bombilla	Base candelabro, tipo "B" de 25 vatios máximo
Capacidad del Detector	Foco de tungsteno de hasta 500 vatios (4,2 A) como máximo
Requisitos de la energía eléctrica	120 VCA, 60 Hz
Fases de operación	Prueba, activado por movimiento, manual
Retardo de tiempo	1, 5, 10 minutos

HERRAMIENTAS REQUERIDAS



Destornillador phillips



Destornillador de cabeza plana de 1/8 de pulgada



Peladores/cortadores de cables



Probador de circuitos



Guantes de trabajo



Sellador de silicona



Escalera



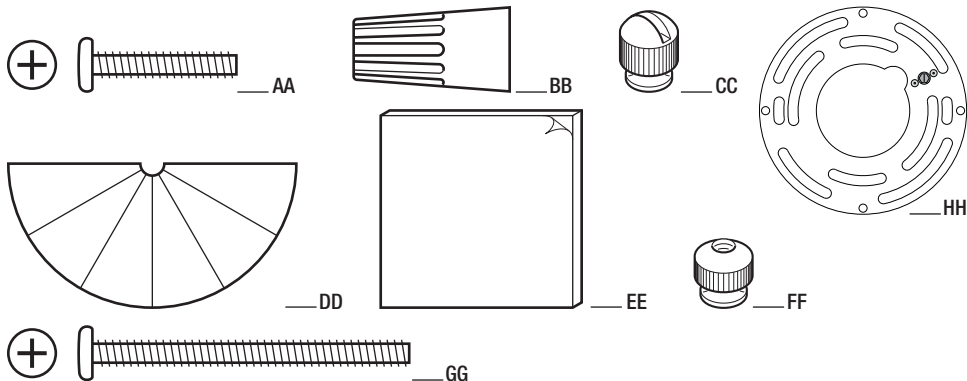
Gafas de seguridad

Antes de la instalación (continuación)

FERRETERÍA INCLUIDA

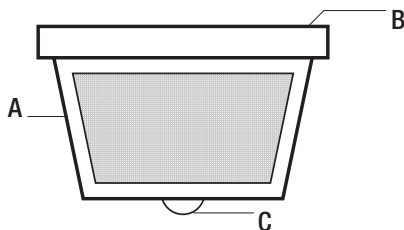


NOTA: La ferretería se muestra en su tamaño real



Pieza	Descripción	Cantidad
AA	Tornillo del soporte de montaje	2
BB	Capuchón para cable	3
CC	Tuerca decorativa del aparato (pre-instalado)	2
DD	Protector de lente del detector de movimiento	2
EE	Cinta doble faz	1
FF	Tuerca decorativa de montaje (pre-instalado)	2
GG	Tornillo grande de montaje (pre-instalado)	2
HH	Soporte de montaje (pre-instalado, no está a escala)	1

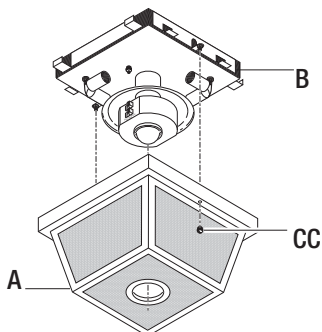
CONTENIDO DEL PAQUETE



Pieza	Descripción	Cantidad
A	Tapa del aparato de luz	1
B	Base del aparato de luz (pre-instalado)	1
C	Detector de movimiento	1

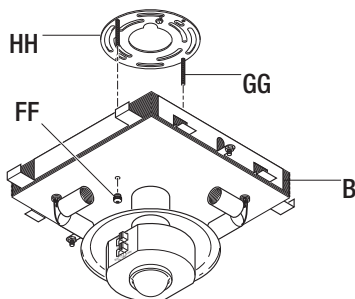
1 Retiro de la tapa de la lámpara

- Retire las dos tuercas decorativas del aparato (CC) de la tapa de la lámpara (A).
- Retire la tapa de la lámpara (A) de la base de la lámpara (B).



2 Retiro del soporte de montaje

- Retire las dos tuercas decorativas de montaje (FF) de los tornillos grandes de montaje (GG).
- Retire el soporte de montaje (HH) de la base de la lámpara (B).

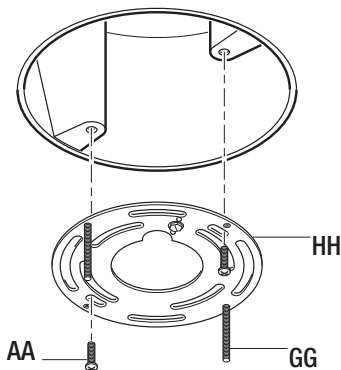


3 Instalación del soporte de montaje



ADVERTENCIA: Desconecte la energía eléctrica en el disyuntor o en el fusible. Coloque cinta aislante sobre el interruptor disyuntor y compruebe que no haya energía eléctrica en el aparato de luz.

- Retire el aparato de luz existente.
- Apriete los dos tornillos grandes de montaje (GG) apretándolos con los dedos en el soporte de montaje (HH).
- Fije el soporte de montaje (HH) a la caja de conexiones (no incluida) en forma segura con los dos tornillos del soporte de montaje (AA).
- Hale con firmeza el soporte de montaje (HH) para verificar que esté bien montado en la caja de conexiones. Si es necesario, use los tornillos que fueron retirados del aparato de luz anterior.



4 Cableado del aparato de luz

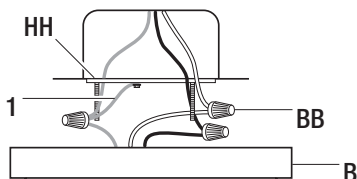


NOTA: Este aparato puede cablearse para controlar otro(s) aparato(s) de luz estándar o detectores de movimiento. Ver Opciones de cableado para métodos adicionales de cableado.

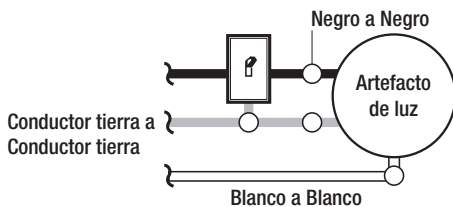


PRECAUCIÓN: NO retire el conector de alambre del conductor rojo ni conecte el conductor ROJO a no ser que desee controlar otras luces desde este aparato detector de movimiento.

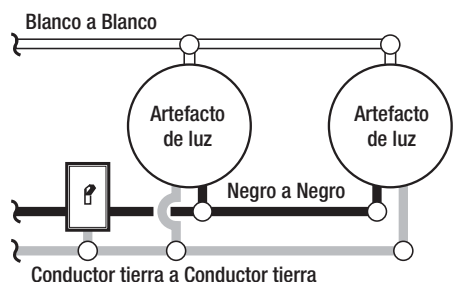
- Pase los cables de la caja de conexiones por el orificio grande en el soporte de montaje (HH) y conéctelos a los cables en la base de la lámpara (B).
- Uso de los conectores de cables (BB):
 - Conecte todos los alambres blancos.
 - Conecte todos los alambres negros.
 - Método recomendado de conexión a tierra: Conecte un cable flexible de alambre de cobre (1) (no incluido) al tornillo verde de tierra en el soporte de montaje (HH).



- Conecte todos los cables de tierra al cable flexible (1) sujetado al tornillo verde de tierra.



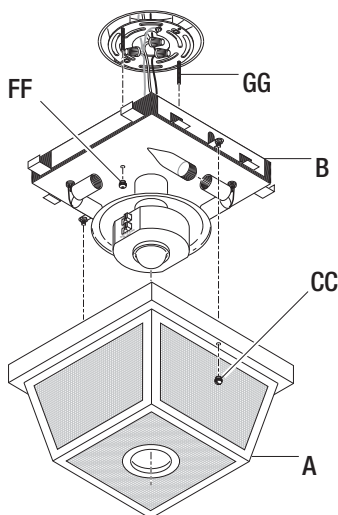
Una lámpara detectora de movimiento



Dos lámparas detectoras de movimiento (trabajando independientemente)

5 Montaje de la base de la lámpara

- Empuje los conductores hacia la caja de empalme.
- Deslice la base de lámpara (B) sobre los tornillos grandes de montaje (GG) y apriete las tuercas decorativas de montaje (FF) contra la base (B).
- Instale cuatro bombillas en la base del candelabro (máximo 25 vatios cada una - no incluidas).
- Vea la sección Operación para pruebas y configuración.
- Después de completar las pruebas e instalación, use las dos tuercas decorativas del aparato (CC) para instalar la tapa de la lámpara (A).



Opciones de cableado

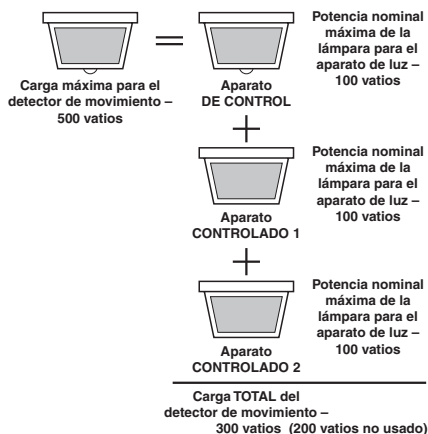
1 Cómo determinar la potencia máxima al añadir lámparas



NOTA: Todo el cableado debe ser hecho de acuerdo al Código Eléctrico Nacional por medio de conductos para cables u otras formas aceptables. Póngase en contacto con un electricista calificado si existe duda sobre la aptitud del sistema.

Cuando controle aparato(s) de luz adicionales, debe observarse la potencia máxima del detector de movimiento (C) de este aparato (B). Vea la ilustración a la derecha para ver un ejemplo de un cálculo de máxima carga de potencia de la lámpara.

IMPORTANTE: Cuando se determina la potencia máxima de la lámpara de la lámpara que se va a controlar, consulte la etiqueta de potencia máxima de la lámpara que está en el aparato y no la potencia nominal de la(s) lámpara (s) actualmente instalada(s) en el aparato.

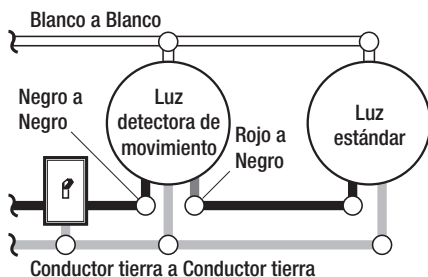


2 Cómo controlar una(s) lámpara(s) estándar

IMPORTANTE: La capacidad total no debe exceder los 500 Vatios (4,2 A).

Cuando prepare una conexión para controlar un aparato de luz estándar:

- Pele el cable rojo de la lámpara (B) y conéctelo al cable negro estándar de la luz.
- Conecte todos los alambres blancos.
- Conecte todos los cables de tierra juntos.



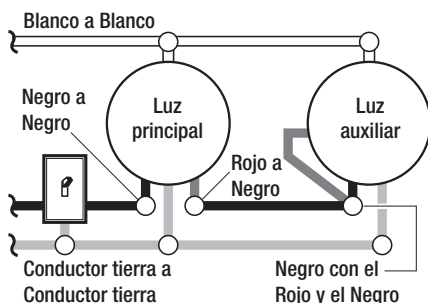
Cableado del aparato de luz detector de movimiento para controlar un aparato de luz estándar

3 Cómo controlar una(s) lámpara(s) detectora(s) de movimiento

IMPORTANTE: La capacidad total no debe exceder los 500 Vatios (4,2 A).

Cuando prepare una conexión para controlar otro aparato de luz detector de movimiento (Maestro / Esclavo):

- Pele el alambre rojo en ambos aparatos de luz. Conecte el alambre rojo del aparato (B) controlador (maestro) a los alambres rojo y negro del aparato controlado (esclavo).
- Conecte todos los alambres blancos.
- Conecte todos los cables de tierra juntos.



Luz detectora de movimiento que controla otra luz detectora de movimiento

Opciones de cableado (continuación)

4 Cableado de las luces detectoras de movimiento para controlarse mutuamente

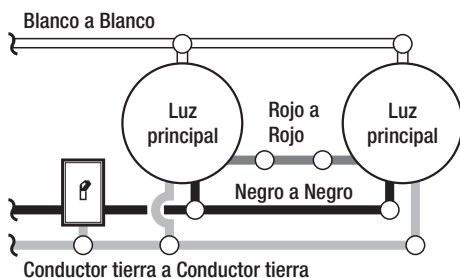
IMPORTANTE: La capacidad total no debe exceder los 500 Vatios (4,2 A).

Cuando haga el cableado para que cualquier luz de movimiento prenda las dos luces que detectan movimiento (Maestro / Maestro):

- Pele el conductor rojo de ambos aparatos de luz. Conecte el conductor rojo de un aparato al conductor rojo del otro aparato.
- Conecte todos los alambres blancos.
- Conecte todos los alambres negros.
- Conecte todos los cables de tierra juntos.



NOTA: En la mayoría de las instalaciones se deberá instalar un conductor adicional (del mismo calibre que el conductor de la casa) dentro de la casa para conectar los dos aparatos como maestro / maestro.



Cableado de múltiples luces detectoras de movimiento para controlarse mutuamente

Operación

1 Calibración del detector para prueba

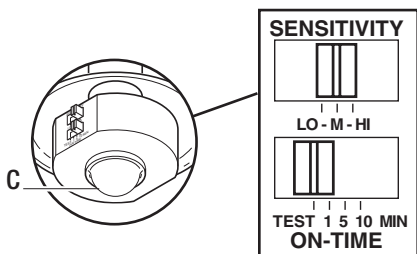


NOTA: Cuando el interruptor de "DURACIÓN" ("ON-TIME") se fija en la posición "PRUEBA" ("TEST") el aparato de luz operará durante el día o la noche. La luz permanecerá encendida 5 segundos después que todo movimiento se ha detenido.

- Conecte la energía eléctrica en el disyuntor o en el fusible y encienda el interruptor de la pared.
- Fije el interruptor de "DURACIÓN" en la posición "PRUEBA" ("TEST").
- Deslice el interruptor "SENSITIVITY" a la posición "M".

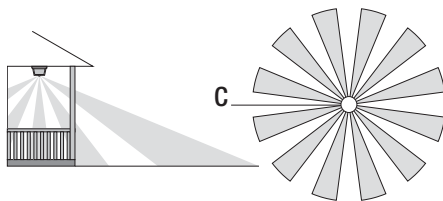


NOTA: El detector de movimiento necesitará calentarse completamente (90 segundos) antes de empezar el proceso de puesta a punto.



2 Determinación de la área de cobertura del detector de movimiento

- Haga una "prueba caminando": camine formando un arco frente al detector de movimiento (C).
- Observe la luz. La luz se encenderá cuando detecte movimiento.
- Deténgase, espere que la luz se apague, y luego empiece a caminar de nuevo.
- Continúe este proceso hasta que la zona de detección haya sido establecida.



3 Cómo calibrar el interruptor SENSITIVITY

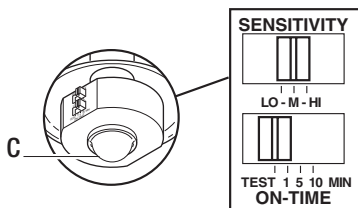
- Para aumentar la zona de detección, deslice el interruptor "SENSITIVITY" hacia la posición "HI".
- Para disminuir la zona de detección, deslice el interruptor "SENSITIVITY" hacia la posición "LO".



NOTA: El detector de movimiento (C) es más sensible al movimiento transversal a la parte frontal del detector. El detector de movimiento (C) es menos sensible al movimiento que se dirige directamente hacia la parte frontal del detector.



NOTA: Cuanto más alto sea el ajuste de "SENSITIVITY" mayor es la posibilidad de falsas alarmas. Para reducir falsas alarmas, deslice el interruptor "SENSITIVITY" hacia el ajuste "LO".

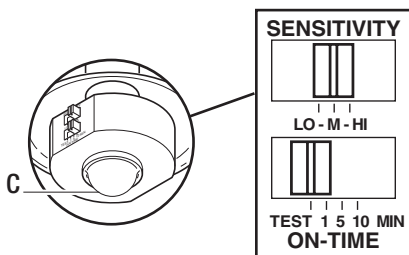


4 Regulación del interruptor de DURACIÓN



NOTA: El interruptor de DURACIÓN determina el lapso de tiempo que la luz permanece encendida con todo su brillo luego que ha cesado el movimiento.

- Coloque el interruptor de DURACIÓN en la posición 1, 5 o 10 minutos.



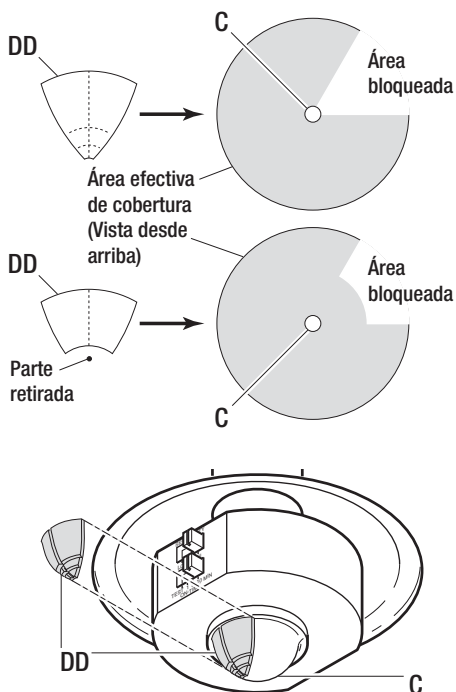
5 Cómo calibrar el área de cobertura del detector de movimiento

El detector de movimiento (C) detecta "movimiento" por el movimiento del calor (calor corporal) a través del área de cobertura. Si sospecha que una fuente de calor, diferente al calor del cuerpo, es la causa de falsas alarmas en el detector de movimiento (C) y la reducción de la sensibilidad no resuelve el problema, entonces puede instalar un protector de lente (DD).

La cubierta plástica de la placa traslúcida (DD) está dividida en 6 secciones. Cada sección reducirá el área de cobertura en 30 grados. Además, se puede quitar la punta de cada sección para cambiar el alcance efectivo del detector de movimiento (C).

- Rompa la cantidad necesaria de cubierta que necesita para bloquear una área deseada de la cobertura.
- Corte la cantidad deseada de cinta engomada en los dos lados (EE) que se necesita para el protector de lente (DD).
- Retire el papel protector de un lado de la cinta cortada y engomada en los dos lados (EE) y péguela en la parte interior del protector de lente (DD).
- Retire el papel protector del otro lado de la cinta cortada y engomada en los dos lados (EE) y ponga el protector de lente (DD) sobre la lente del detector (C).

- Vuelva a probar para confirmar que el detector ya no presenta activaciones erróneas.



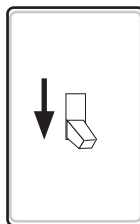
6 Uso de la fase manual

NOTA: La fase manual anula el detector de movimiento (C) y el control de duración ("ON-TIME"), de esta forma la lámpara operará con todo su brillo. Esta característica funciona solamente en la noche y solamente una noche a la vez. El detector de movimiento (C) se reiniciará en la modalidad de detección de movimiento después de 6 horas o cuando salga el sol, lo que ocurra primero. La fase manual puede también alternar entre encendido y apagado mediante el interruptor de pared.

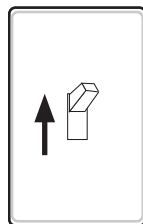
- Para encender la fase manual, apague la luz con el interruptor de pared entre 1 a 3 segundos y luego vuelva a encenderla.
- Para apagar la fase manual, apague la luz con el interruptor de pared entre 1 a 3 segundos y luego vuelva a encenderla.



NOTA: Si la energía eléctrica al aparato de luz es apagada por más de 5 segundos, deje que el detector de movimiento se caliente antes del cambio a la fase manual.



Apague el interruptor entre 1 a 3 segundos



Vuelva a encender el interruptor

Cuidado y limpieza

- Para prolongar la apariencia original, limpie la lámpara solo con agua limpia y un paño suave y húmedo.
- No use pinturas, solventes ni otros químicos en este aparato de luz. Podrían ser la causa de una prematura deterioración del acabado. Esto no es un defecto del acabado y no será cubierto por la garantía.
- No rocíe la lámpara con una manguera o lavadora a presión.

Análisis de averías

Problema	Causa Probable	Solución
La luz no se enciende.	<ul style="list-style-type: none">□ El interruptor de la luz está apagado.□ El fusible está quemado o el disyuntor está desconectado.□ Las bombillas están flojas o quemadas.□ El apagado de la luz diurna (fotocélula) está vigente.□ El cableado del circuito es incorrecto (si esta es una instalación nueva).□ La temperatura del aire exterior está cercana al calor corporal de una persona.	<ul style="list-style-type: none">□ Encienda el interruptor de la luz.□ Cambie el fusible o conecte el disyuntor.□ Revise las bombillas y reemplácelas si es necesario.□ Vuelva a revisar al amanecer.□ Verifique que el cableado esté correcto.□ Aumente el ajuste de "Sensibilidad".
La luz se enciende durante el día.	<ul style="list-style-type: none">□ El detector de movimiento puede estar instalado en un sitio relativamente oscuro.□ El interruptor de duración ("ON-TIME") está en la posición prueba ("TEST").	<ul style="list-style-type: none">□ El aparato de luz está operando normalmente bajo estas circunstancias.□ Coloque el interruptor de duración ("ON-TIME") en la calibración 1, 5 o 10 minutos.

Análisis de averías (continuación)

Problema	Causa Probable	Solución
La luz se enciende sin razón aparente.	<ul style="list-style-type: none"> <input type="checkbox"/> El detector de movimiento puede estar detectando pequeños animales o tráfico automotor. <input type="checkbox"/> El ajuste "Sensibilidad" es demasiado alto. <input type="checkbox"/> La temperatura exterior está más caliente o más fría que el calor corporal de una persona (verano o invierno). <input type="checkbox"/> El aparato de luz está cableado a través de un reductor de luz o de un temporizador. 	<ul style="list-style-type: none"> <input type="checkbox"/> Disminuya el ajuste "Sensitivity" o use el protector de lente para reducir el área de cobertura. <input type="checkbox"/> Reduzca el ajuste de "Sensibilidad". <input type="checkbox"/> Reduzca el ajuste de "Sensibilidad". <input type="checkbox"/> No use un reductor de luz o un temporizador para controlar el aparato de luz. Cambie el reductor de luz o el temporizador por un interruptor de pared estándar de encendido/apagado.
Las luces permanecen encendidas constantemente.	<ul style="list-style-type: none"> <input type="checkbox"/> El detector de movimiento puede estar absorbiendo calor de una fuente de calor como una ventosa de aire, una secadora de aire, o una superficie pintada con colores brillantes y que refleja el calor. <input type="checkbox"/> El detector de movimiento está en la fase manual. <input type="checkbox"/> El ajuste "Sensitivity" es demasiado alto. <input type="checkbox"/> El aparato de luz está cableado a través de un reductor de luz o de un temporizador. <input type="checkbox"/> El aparato de luz está en el mismo circuito que un motor, transformador o tubo fluorescente. 	<ul style="list-style-type: none"> <input type="checkbox"/> Disminuya el ajuste "Sensitivity" o use el protector de lente para reducir el área de cobertura. <input type="checkbox"/> Cambie el detector de movimiento a automático. Vea <i>Uso de la fase manual</i> en la página 24. <input type="checkbox"/> Disminuya el ajuste "Sensitivity". <input type="checkbox"/> No use un reductor de luz o un temporizador para controlar el aparato de luz. Cambie el reductor de luz o el temporizador por un interruptor de pared estándar de encendido/apagado. <input type="checkbox"/> Instale el aparato de luz en un circuito sin motores, transformadores o tubos fluorescentes.
Las luces se encienden y se apagan.	<ul style="list-style-type: none"> <input type="checkbox"/> El calor reflejado desde otro objeto puede estar encendiendo y apagando al detector de movimiento. 	<ul style="list-style-type: none"> <input type="checkbox"/> Reduzca el ajuste de "Sensibilidad" o cambie la posición del detector de movimiento.
Las luces destellan una vez y luego se apagan en la modalidad manual.	<ul style="list-style-type: none"> <input type="checkbox"/> Objetos cercanos, grandes, de colores claros que reflejan la luz pueden causar la función de apagado. 	<ul style="list-style-type: none"> <input type="checkbox"/> No apunte otras luces hacia el detector.



**¿Tiene preguntas, problemas o piezas faltantes?
Antes de devolverlo a la tienda, llame a Servicio al Cliente de Defiant
de 08 a.m.-6 p.m., EST, Lunes - Viernes, 09 a.m.-6 p.m., EST, sábado.**

1-855-HD-HAMPTON

HAMPTONBAY.COM

Guarde este manual para uso futuro.

Free Manuals Download Website

<http://myh66.com>

<http://usermanuals.us>

<http://www.somanuals.com>

<http://www.4manuals.cc>

<http://www.manual-lib.com>

<http://www.404manual.com>

<http://www.luxmanual.com>

<http://aubethermostatmanual.com>

Golf course search by state

<http://golfingnear.com>

Email search by domain

<http://emailbydomain.com>

Auto manuals search

<http://auto.somanuals.com>

TV manuals search

<http://tv.somanuals.com>