



CF3680 2D Imager Module

For Customer-Facing Designs

Quick Start Guide

Aller à www.honeywellaidc.com pour le français.

Vai a www.honeywellaidc.com per l'italiano.

Gehe zu www.honeywellaidc.com für Deutsch.

Ir a www.honeywellaidc.com para español.

日本語： www.honeywellaidc.com をご覧ください。

如要到中国 www.honeywellaidc.com (简体)。

查看繁体版请登陆 www.honeywellaidc.com

한글 www.honeywellaidc.com 로 이동합니다 .



What is the CF3680 2D Imager Module?

The CF3680 is a 2D imager module designed to be integrated into fixed mount enclosures, such as a self-service kiosk. It includes:

- N3680 scan engine
- USB interface (USB-B connector)
- Exit window
- Movement detector used to start a reading session
- User feedback pins

Required Accessories

- Standard USB-A to USB-B cable

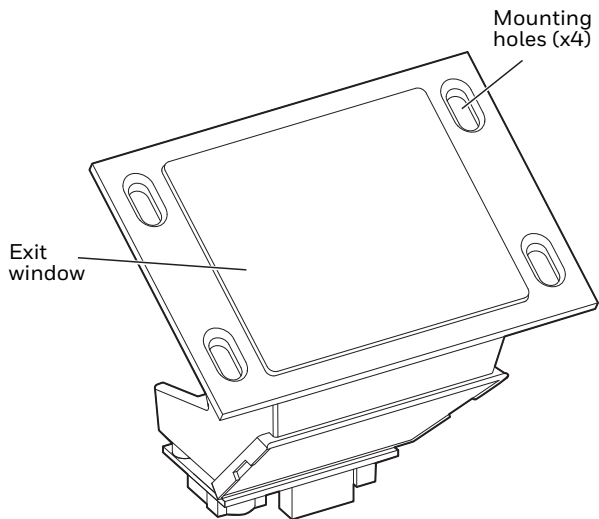
Additional Documentation

The following documents are available for the CF3680:

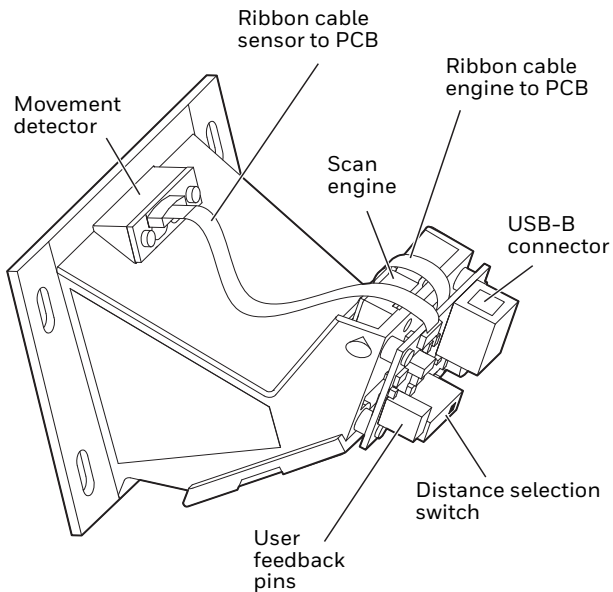
- *CF3680 Installation Guide*
- *N3680/CF3680 User Guide*

These documents are available from your local Honeywell OEM representative.

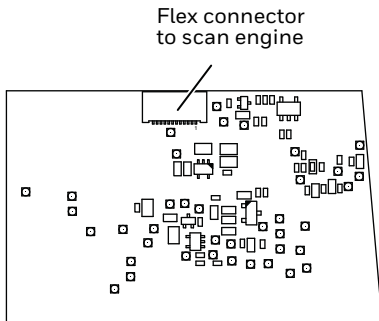
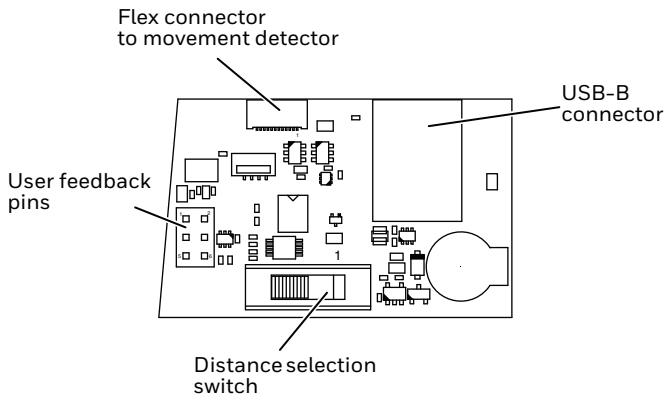
CF3680 Front View



CF3680 Back View



PCB View



Connecting the CF3680 to a Host

By default, the CF3680 is in USB PC Keyboard interface.

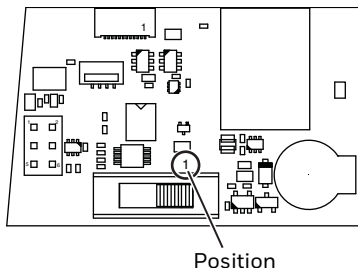
1. Connect a standard USB cable (standard USB-A to USB-B) to the CF3680 and to the USB port on the host.
2. Power-up the host.
3. Verify that the CF3680 is on by presenting a bar code in front of the scan window. The white LED should turn on and read the bar code.

Note: *The CF3680 does not beep to indicate a good read unless this has been setup by the user with the user feedback pins. See the CF3680 Installation Guide for more details (available from your local Honeywell OEM representative).*

Distance Selection Switch

Use this switch to select the range to be used to detect an object and trigger the scan engine. The distance is measured from the outside of the exit window.

- Position 1—0 to 10 cm (4 in)
- Position 2—0 to 20 cm (8 in)
- Position 3—0 to 30 cm (12 in)



Note: Only position 1 is indicated on the PCB.

Configuration

You can configure your scanner two ways:

- Reading configuration bar codes
- Using the EZConfig Cloud for Scanning tool

Configuration Bar Codes

Scan configuration bar codes to set up your scanner. All available configuration bar codes are available in the *N3680 User's Guide*. Contact your local Honeywell OEM representative for more information.

EZConfig Cloud for Scanning Tool

Use the EZConfig Cloud for Scanning tool to configure your scanner online:

1. Go to the Honeywell web site at www.honeywellaidc.com
2. Click on the Browse Products tab. Under Software, select Device Management.
3. Click on EZConfig Cloud for Scanning.
4. Scroll to the bottom of the page and click on Register for free access now to sign up.

Basic Setup

Here are some basic menu bar codes that may be useful for testing. For more setup options see the *N36810/CF3680 User Guide* (available from your local Honeywell OEM representative).

Note: The * symbol indicates the default value.

Interface

For USB serial interface, you must install the USB driver before connecting your scanner. Contact your local Honeywell OEM representative to get the latest USB driver.

USB Serial Interface



TERMID130.

USB PC Keyboard *



TERMID124.

Keyboard Country Layout

The default keyboard is United States.

French



KBDCTY3.

German



KBDCTY4.

Italian



KBDCTY5.

All Symbologies

All Symbologies On



ALLENA1.

All Symbologies Off



ALLENA0.

LED Illumination - Manual Trigger

Use this setting to change the LED illumination brightness.

Low *



PWRNOL50.

High



PWRNOL150.

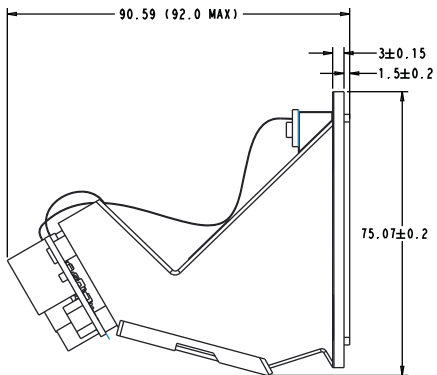
Reset Factory Defaults

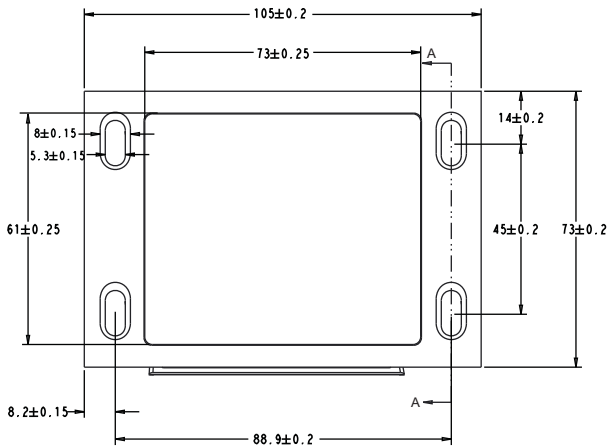
The following bar code resets factory defaults.



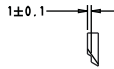
DEFAULT.

Mechanical Dimensions





Mounting hole recess
(section A-A)



User Feedback Pins

User feedback pins give you access to the trigger, beeper and good read lines on the scan engine. See the *CF3680 Installation Guide* for details on these pins (available from your local Honeywell OEM representative).

Exit Window

The exit window is made of chemically strengthened glass and is scratch resistant. To clean the window, use one of the following:

- Sani-Cloth[®] HB wipes
- Sani-Cloth[®] Plus wipes
- Super Sani-Cloth[®] wipes
- Isopropyl Alcohol wipes (70%)
- CaviWipes[™]
- Virex[®] 256
- 409[®] Glass and Surface Cleaner
- Windex[®] Blue
- Clorox[®] Bleach – 10%
- Gentle dish soap and water

Note: *For best scanner and movement detector performance, do not cover the existing exit window with another window or use a different exit window.*

Support

To search our knowledge base for a solution or to log in to the Technical Support portal and report a problem, go to www.hsmcontactsupport.com.

Limited Warranty

For warranty information, go to www.honeywellaidc.com and click **Get Resources > Warranty**.

Patents

For patent information, please refer to www.hsmpats.com.

Disclaimer

Honeywell International Inc. (“HII”) reserves the right to make changes in specifications and other information contained in this document without prior notice, and the reader should in all cases consult HII to determine whether any such changes have been made. The information in this publication does not represent a commitment on the part of HII.

HII shall not be liable for technical or editorial errors or omissions contained herein; nor for incidental or consequential damages resulting from the furnishing, performance, or use of this material.

This document contains proprietary information that is protected by copyright. All rights are reserved. No part of this document may be photocopied, reproduced, or translated into another language without the prior written consent of HII.

© 2017 Honeywell International Inc. All rights reserved.

Web Address: www.honeywellaidc.com

Free Manuals Download Website

<http://myh66.com>

<http://usermanuals.us>

<http://www.somanuals.com>

<http://www.4manuals.cc>

<http://www.manual-lib.com>

<http://www.404manual.com>

<http://www.luxmanual.com>

<http://aubethermostatmanual.com>

Golf course search by state

<http://golfingnear.com>

Email search by domain

<http://emailbydomain.com>

Auto manuals search

<http://auto.somanuals.com>

TV manuals search

<http://tv.somanuals.com>