

HCS544/HCS544X Camera Quick Install Guide

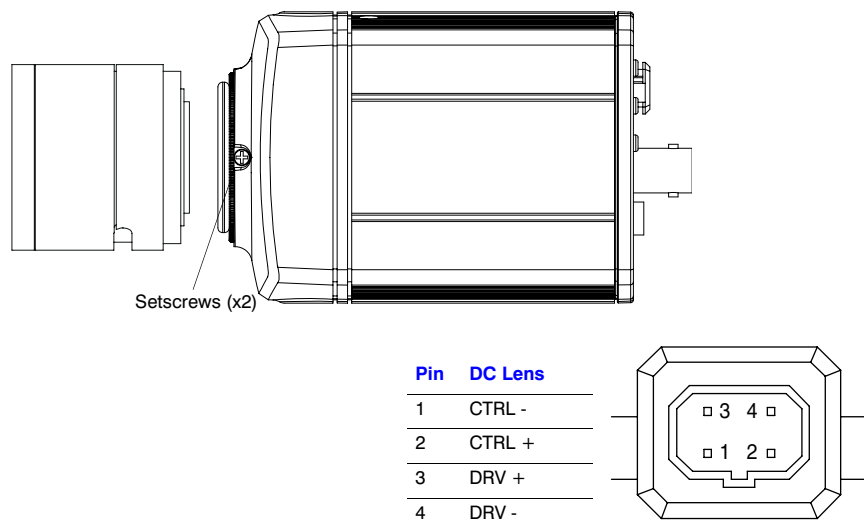
Installation

The HCS544/HCS544X camera is designed for general surveillance applications and is ideally suited for low-light indoor environments.

Installing the Lens

The HCS544/HCS544X camera is factory configured for a CS-mount lens. Screw the lens (customer supplied) into the front of the camera body.

Figure 1 Lens Installation



Adjusting the Back Focal Length or Picture Focus

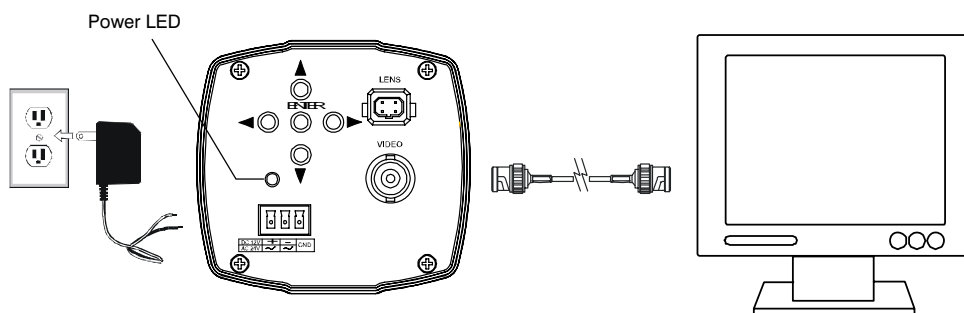
The back focus adjustment is accessible at the front end of the camera housing.

- Loosen the two setscrews (see *Figure 1*) with a Phillips screwdrivers.
- Adjust the focus ring to focus the picture, then retighten the setscrews.

Connecting the Camera

- Connect the VIDEO connector on the rear of the camera to the video-in connector on your monitor or video recorder.
- Connect the camera to a power supply appropriate for your installation (12 VDC or 24 VAC).
- Plug the power supply into an appropriate power source. The power LED illuminates to show that the camera is receiving power.

Figure 2 Video Connections

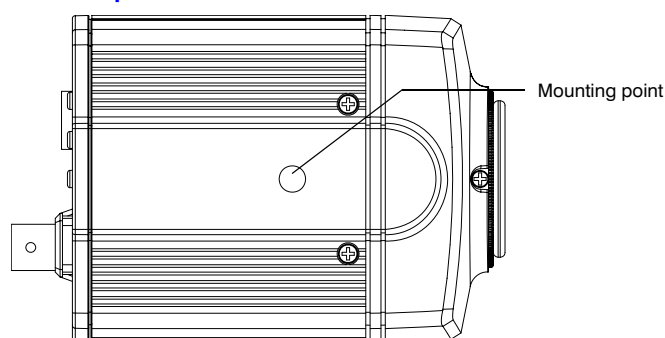


Mounting the Camera

There are mounting points on the top and bottom of the camera to mount the camera on a bracket or tripod. Use standard sized mounting bolts to install the camera to a mounting bracket.

Caution Follow local installation codes for proper mounting bracket support capability.

Top view shown



Making Final Adjustments

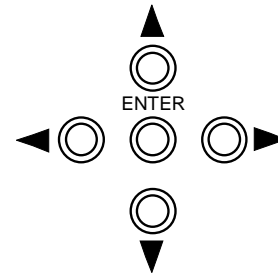
Adjust the focus in your field of view until you see a clear image. If necessary, adjust the brightness using the OSD menu controls (see *LENS DC/BRIGHTNESS* or *AGC*). Confirm the exposure on the monitor screen.

Programming

OSD Menu Controls

Figure 3 Camera Controller

Camera OSD control (4 position plus center press (ENTER))



Navigating through the menus

Press this control To do this ...

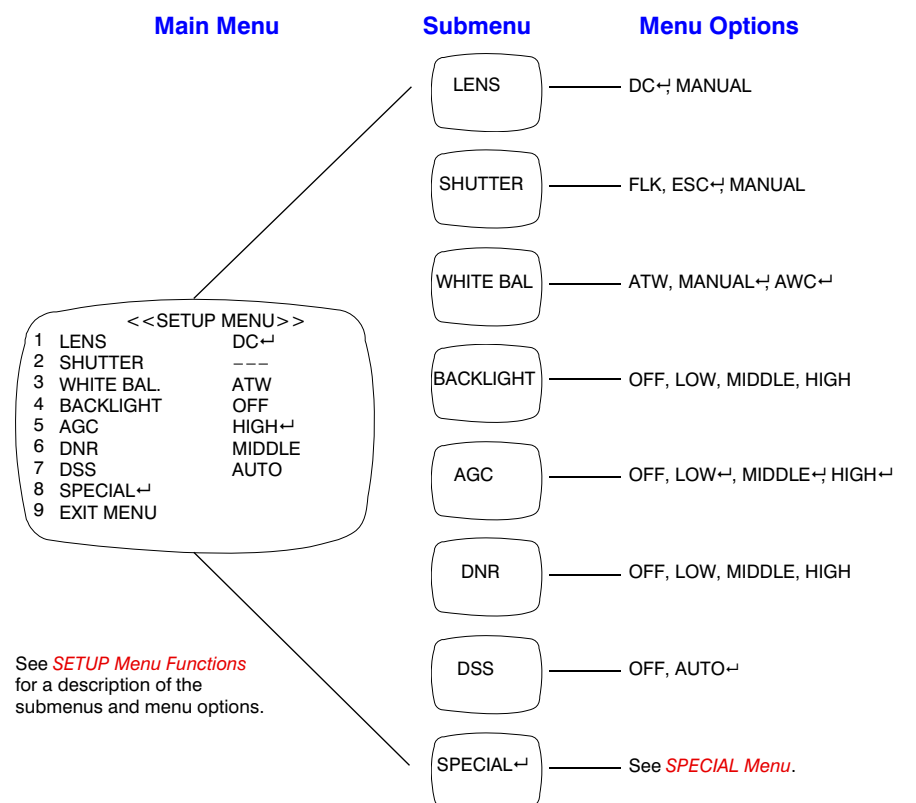
ENTER (SET)	Press to enter SETUP menu. Press to enter a screen or select a menu option.
UP, DOWN (▲, ▼)	Move vertically between menus and options.
LEFT, RIGHT (◀, ▶)	Move horizontally between menus and options.
↵	Indicates submenus. Select the menu, then press ENTER.
EXIT	Exit the menu.

Note Menu display turns off automatically after 70 seconds of no activity.

OSD Menu Structure

The HCS544/HCS544X menu system consists of one main SETUP menu (see *Figure 4*) for easy camera programming.

Figure 4 Menu Structure



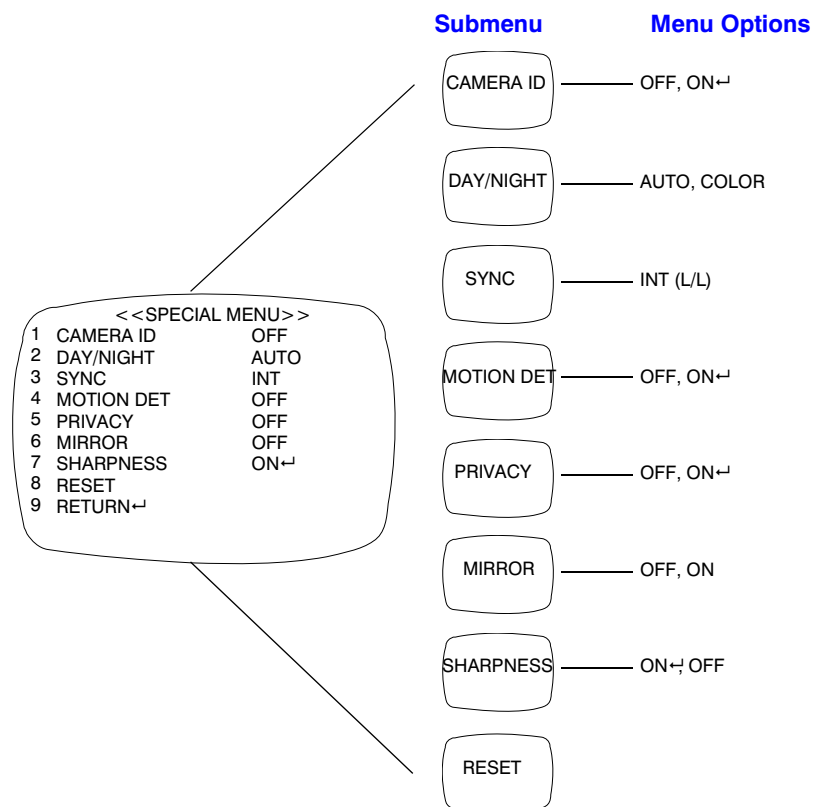
SETUP Menu Functions

Menu Item	Option	Description
1 LENS	DC↵ MANUAL	Selects lens type. Press ENTER with DC selected to access the BRIGHTNESS control for iris level adjustment.
2 SHUTTER	FLK ESC↵ MANUAL	Adjusts shutter settings. Flickerless mode (FLK) reduces on-screen flickering. Electronic Shutter Control (ESC) adjusts brightness level on screen when using a manual lens. Select Manual mode to adjust the shutter speed from 1/60-1/120,000 of a second (NTSC), or 1/50-1/120,000 (PAL).
3 WHITE BAL. (White Balance)	ATW MANUAL↵ AWC↵	Controls color on the screen. Select Auto Tracing White Balance (ATW) when the color temp is 1800°K-10500°K (for example when under a fluorescent light, or outdoors). Select Manual mode to increase or decrease the red or blue GAIN on screen. Select Auto White Balance Control (AWC), then press ENTER to automatically adjust the white balance to your specific environment.
4 BACKLIGHT	OFF LOW MIDDLE HIGH	Provides light level control to overcome severe backlighting conditions.
5 AGC (Automatic Gain Control)	OFF LOW↵ MIDDLE↵ HIGH↵	Adjusts value of AGC gain. Increase the GAIN level to brighten the picture in low light conditions (noise/distortion may develop). The submenu provides access to the BRIGHTNESS control.
6 DNR (Digital Noise Reduction)	OFF LOW MIDDLE HIGH	Reduces noise/distortion on the screen. Increasing the DNR level reduces noise but may introduce video artifacts. DNR is deactivated if AGC is turned off.
7 DSS (Digital Slow Shutter)	OFF AUTO↵	Automatically provides a clear image under low-light conditions. You can control the maximum low-light magnification from 2x to 128x (increasing magnification may cause noise/distortion). DSS is deactivated when SHUTTER is set to FLK mode.
8 SPECIAL↵		Takes you to the SPECIAL menu (see <i>SPECIAL Menu</i>).
9 EXIT		Exits the SETUP menu and returns to video monitoring.

SPECIAL Menu

- On the SETUP menu, press the menu control **UP** or **DOWN** and then select **SPECIAL**.
- Press the **ENTER (SET)** control to access the SPECIAL menu.

Figure 5 SPECIAL Menu



SPECIAL Menu Functions

Menu Item	Option	Description																													
1 CAMERA ID	OFF ON	Display a name and/or number on the monitor. To add a camera title: <div data-bbox="1123 281 1354 489" style="border: 1px solid black; padding: 5px; width: fit-content;"> <p>CAMERA ID</p> <p>ABCDEFGHIJKLM NOPQRSTUVWXYZ abcdefghijklm nopqrstuvwxyz - . 0 1 2 3 4 5 6 7 8 9</p> <p>← → CLR POS END</p> </div> <p>UP, DOWN, LEFT, or RIGHT menu control = select a character, then press (ENTER) SET to accept it. The character is saved and the title cursor at the bottom of the screen moves to the next position. ← → = go back or forward in the title name to make changes. CLR = delete the entire name and start again. POS = position the camera title on the screen. Press (ENTER) SET to confirm the position. END = accept the new name.</p>																													
2 DAY/NIGHT	AUTO COLOR	AUTO = Automatically detect color or black/white COLOR = Full-time color mode.																													
3 SYNC	INT L/L	INT = Synchronize the vertical interval sync pulse of your camera with other equipment to reduce the effect of picture roll on the monitor. L/L (Line Lock) = adjust the phase from 0° - 359°.																													
4 MOTION DET	OFF ON↵	Detect moving objects on screen; displays MOTION DETECTED when movement is detected. Select the area on screen you want to observe.																													
		<div data-bbox="1123 934 1354 1142" style="border: 1px solid black; padding: 5px; width: fit-content;"> <p>MOTION DETECTION</p> <table border="1"> <tr><td>AREA SEL</td><td>AREA 1</td></tr> <tr><td>AREA STATE</td><td>ON</td></tr> <tr><td>TOP</td><td> 10</td></tr> <tr><td>DOWN</td><td> 25</td></tr> <tr><td>LEFT</td><td> 20</td></tr> <tr><td>RIGHT</td><td> 40</td></tr> </table> <p>Press SET to Return</p> </div> <table border="1"> <thead> <tr> <th>Menu Item</th> <th>Option</th> <th>Description</th> </tr> </thead> <tbody> <tr> <td>AREA SEL</td> <td>AREA 1 AREA 2 AREA 3 AREA 4</td> <td>Select a motion detection grid (top left, top right, bottom left, bottom right) to modify.</td> </tr> <tr> <td>AREA STATE</td> <td>ON OFF</td> <td>Activate or deactivate the selected grid.</td> </tr> <tr> <td>TOP DOWN LEFT RIGHT</td> <td></td> <td>Press LEFT or RIGHT menu control left or right to alter the dimensions of the selected grid.</td> </tr> </tbody> </table>	AREA SEL	AREA 1	AREA STATE	ON	TOP 10	DOWN 25	LEFT 20	RIGHT 40	Menu Item	Option	Description	AREA SEL	AREA 1 AREA 2 AREA 3 AREA 4	Select a motion detection grid (top left, top right, bottom left, bottom right) to modify.	AREA STATE	ON OFF	Activate or deactivate the selected grid.	TOP DOWN LEFT RIGHT		Press LEFT or RIGHT menu control left or right to alter the dimensions of the selected grid.					
AREA SEL	AREA 1																														
AREA STATE	ON																														
TOP 10																														
DOWN 25																														
LEFT 20																														
RIGHT 40																														
Menu Item	Option	Description																													
AREA SEL	AREA 1 AREA 2 AREA 3 AREA 4	Select a motion detection grid (top left, top right, bottom left, bottom right) to modify.																													
AREA STATE	ON OFF	Activate or deactivate the selected grid.																													
TOP DOWN LEFT RIGHT		Press LEFT or RIGHT menu control left or right to alter the dimensions of the selected grid.																													
5 PRIVACY	OFF ON↵	Mask up to 4 areas of the screen from video monitoring.																													
		<div data-bbox="1123 1380 1354 1587" style="border: 1px solid black; padding: 5px; width: fit-content;"> <p>PRIVACY</p> <table border="1"> <tr><td>AREA SEL</td><td>AREA 1</td></tr> <tr><td>AREA STATE</td><td>ON</td></tr> <tr><td>AREA TONE</td><td> 80</td></tr> <tr><td>TOP</td><td> 10</td></tr> <tr><td>DOWN</td><td> 25</td></tr> <tr><td>LEFT</td><td> 20</td></tr> <tr><td>RIGHT</td><td> 40</td></tr> </table> <p>Press SET to Return</p> </div> <table border="1"> <thead> <tr> <th>Menu Item</th> <th>Option</th> <th>Description</th> </tr> </thead> <tbody> <tr> <td>AREA SEL</td> <td>AREA 1 AREA 2 AREA 3 AREA 4</td> <td>Select a masking grid (top left, top right, bottom left, bottom right) to modify.</td> </tr> <tr> <td>AREA STATE</td> <td>ON OFF</td> <td>Activate/deactivate the selected grid.</td> </tr> <tr> <td>AREA TONE</td> <td></td> <td>Press LEFT or RIGHT menu control to change the shade of the masking grids.</td> </tr> <tr> <td>TOP DOWN LEFT RIGHT</td> <td></td> <td>Press LEFT or RIGHT menu control to alter the dimensions of the selected grid.</td> </tr> </tbody> </table>	AREA SEL	AREA 1	AREA STATE	ON	AREA TONE 80	TOP 10	DOWN 25	LEFT 20	RIGHT 40	Menu Item	Option	Description	AREA SEL	AREA 1 AREA 2 AREA 3 AREA 4	Select a masking grid (top left, top right, bottom left, bottom right) to modify.	AREA STATE	ON OFF	Activate/deactivate the selected grid.	AREA TONE		Press LEFT or RIGHT menu control to change the shade of the masking grids.	TOP DOWN LEFT RIGHT		Press LEFT or RIGHT menu control to alter the dimensions of the selected grid.
AREA SEL	AREA 1																														
AREA STATE	ON																														
AREA TONE 80																														
TOP 10																														
DOWN 25																														
LEFT 20																														
RIGHT 40																														
Menu Item	Option	Description																													
AREA SEL	AREA 1 AREA 2 AREA 3 AREA 4	Select a masking grid (top left, top right, bottom left, bottom right) to modify.																													
AREA STATE	ON OFF	Activate/deactivate the selected grid.																													
AREA TONE		Press LEFT or RIGHT menu control to change the shade of the masking grids.																													
TOP DOWN LEFT RIGHT		Press LEFT or RIGHT menu control to alter the dimensions of the selected grid.																													
6 MIRROR	OFF ON	Produce a horizontal mirror image on screen.																													
7 SHARPNESS	ON↵ OFF	Sharpen the image on screen (image level 0 - 31). Excessive sharpening may cause picture noise.																													
8 RESET		Restore all factory default settings.																													
9 RETURN↵		Return to the main SETUP menu.																													

Honeywell

www.honeywellvideo.com
+1.800.796.CCTV (North America only)
HVSupport@honeywell.com

Document 800-01124 - Rev A - 01/08

Free Manuals Download Website

<http://myh66.com>

<http://usermanuals.us>

<http://www.somanuals.com>

<http://www.4manuals.cc>

<http://www.manual-lib.com>

<http://www.404manual.com>

<http://www.luxmanual.com>

<http://aubethermostatmanual.com>

Golf course search by state

<http://golfingnear.com>

Email search by domain

<http://emailbydomain.com>

Auto manuals search

<http://auto.somanuals.com>

TV manuals search

<http://tv.somanuals.com>