

Steam Humidifier Homeowner's Manual

HOMEOWNER'S OPERATING MANUAL



Steam Humidifier

INTRODUCTION

Safety Definitions and Precautions	2
Welcome	3
How is the Steam Humidifier different from other humidifiers?	3
What safety features does the Steam Humidifier have?	3
How should I get started?	3
How does the Steam Humidifier work?	4

YOUR NEW STEAM HUMIDIFIER

Which Steam Humidifier model do I have?	5
Which humidity control do I have?	6
How is my Steam Humidifier installed?	7
Duct mounting	7
Remote mounting	7
What Steam Humidifier parts do I need to know?	8
What should I expect from my Steam Humidifier?	10

EVERYDAY OPERATION

How do I operate the Steam Humidifier?	11
How do I use the humidity control?	11
What should my humidity setpoint be?	12
What is a frost setting?	12
What do the lights tell me?	13
When will I press the Drain and Go buttons?	14

CLEANING AND MAINTENANCE

What is the automatic flush cycle?	15
Why do I need to manually clean the tank?	16
When should I clean the tank?	16
How do I clean the tank?	16
How do I reassemble and start up the Steam Humidifier?	18
How do I change the water filter?	19
Changing the reverse osmosis (RO) filter cartridge	19
What should I do at the end of the humidification season?	20
What if I go on vacation?	20

SERVICE

What should I do if the Service light is blinking?	21
What if I am having a problem with the Steam Humidifier?	21

WARRANTY

5-Year Limited Warranty	22
-------------------------	----

INTRODUCTION

YOUR NEW STEAM HUMIDIFIER

EVERYDAY OPERATION

CLEANING AND MAINTENANCE

SERVICE

WARRANTY



NEED HELP? For assistance with this product please visit <http://yourhome.honeywell.com> or call Honeywell Customer Care toll-free at 1-800-468-1502.

Read and save these instructions.

© U.S. Registered Trademark. Patents pending. Copyright © 2009 Honeywell International Inc. All rights reserved.

Safety Definitions and Precautions


Must be installed by a trained, experienced technician.


Read these instructions carefully. Failure to follow these instructions can damage the product or cause a hazardous condition.

Please read this manual completely. It is important that you understand how the Steam Humidifier works, and how to safely perform the required maintenance procedures. Read and understand all safety-related labels found on and posted near the Steam Humidifier. These labels provide additional instructions and important safety information.

Safety Definitions

These safety terms identify information you must read.


 **CAUTION:** Indicates a hazardous situation which, if not avoided, could cause bodily injury or property damage.


 **WARNING:** Indicates a hazardous situation which, if not avoided, could result in death or serious injury.


Safety Precautions

Make sure you read and understand the following safety hazards before installing, using, or working with the Steam Humidifier:

- Do not direct the steam nozzle at people.
- Water inside tank can be very hot. Read the warning label on the Steam Humidifier and make sure you understand the hazards of scalding hot water in the tank.
- Scalding danger from draining water. When the water tank empties, draining water can be hot enough to cause injury. Make sure you know where the water exits the drain hose. Be certain hot water will not pose a hazard to people or pets.

 **WARNING:** Electrocutation Hazard.
The Steam Humidifier uses 120 volts AC, which can cause death or serious injury. Take precautions when servicing the Steam Humidifier or when removing the water tank or cover. If in doubt, unplug the Steam Humidifier and disconnect HVAC equipment power before servicing.

 **CAUTION:** Heavy Equipment and Water Hazard.
Improper installation or misuse can cause death, blindness, and water damage to home, and heating element failure. Be sure you know how to turn the Steam Humidifier off, and how to drain the water tank safely.

 **CAUTION:** Steam Condensation, Fire, and Freezing Water Hazard.
Can cause failure of fan or limit control, or result in water damage to home.

Welcome!

Congratulations on your new humidifier.

The Honeywell Steam humidification system provides the high performance and efficiency of steam, with easier maintenance than traditional humidifiers.

We are sure the Steam Humidifier will be a welcome addition to your home.

- **How is the Steam Humidifier different from other humidifiers?**

- The steam goes directly into your hot air supply duct, rather than evaporating from a wet pad, which wastes less water than flow-through humidifiers.
- The Steam Humidifier delivers humidification with the use of your HVAC fan rather than using heat from of your furnace. This allows you to achieve ideal humidity levels in your home, year-round.
- The Steam Humidifier operates automatically, just like a thermostat, to keep your home's humidity at the desired level.
- The Steam Humidifier is easy to maintain. Just clean the tank as instructed. The tank is easily accessible and does not require tools to remove it.

- **What safety features does the Steam Humidifier have?**

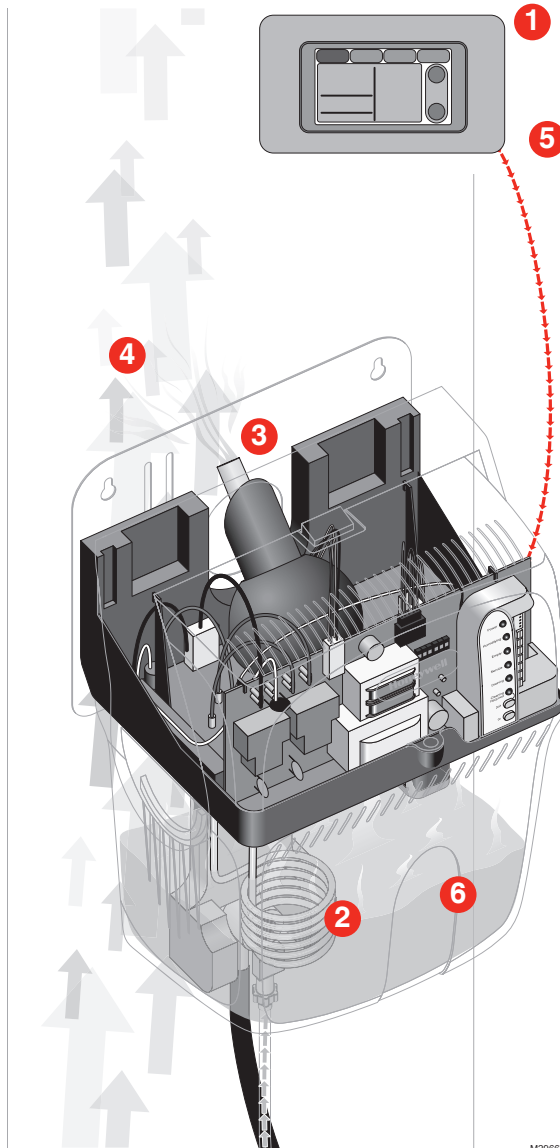
- An interlock switch located inside the water tank shuts off 120 VAC power to the Steam Humidifier when the tank is removed.
- Three sets of sensors constantly monitor water level in the tank. The sensors prevent the tank from being over-filled and from running dry.

- **How should I get started?** Your Steam Humidifier must be installed by an HVAC Professional Installer. If the Steam Humidifier has just been installed, it should either be running and humidifying your home, or waiting for a humidity call from the humidity control provided.

Once the Steam Humidifier is up and running, all you have to do is use the humidity control to change the humidity to your desired comfort.

- Please read this manual completely for tips on getting the most out of your Steam Humidifier.
- Read your humidity control manual and make sure you know how to operate your system.
- If you have questions, now or later, please ask your Installer or call Honeywell Customer Care at 1-800-468-1502.

How does the Steam Humidifier work?



M29667

1. The Steam Humidifier is controlled by the provided humidity control or by your home's thermostat if humidity control is a feature and it is wired appropriately. The humidity control is connected to the Steam Humidifier, either with wires or by wireless connection.
2. The heating element coil heats water in the tank to the boiling point.
3. The resulting steam flows out of the Steam Humidifier into the hot air supply duct of your HVAC system. If remote mounting is used, the steam flows through an insulated steam hose from the Steam Humidifier to your supply duct.
4. Air flow from your furnace fan carries the moisture throughout your home. Your furnace may or may not be heating the air, depending on your thermostat setting and the Steam Humidifier configuration.
5. When humidity in your home reaches the setpoint, the humidity call ends and the Steam Humidifier stops producing steam. The furnace fan will continue to run until humidity in the duct is completely distributed to your home.
6. Sensors monitor water level in the tank. The built-in solenoid valve opens and closes to automatically refill the tank, as needed. During long periods of inactivity, the tank will drain completely to prevent water stagnating. The tank will automatically refill when there is demand for humidity.

Which humidity control do I have?

The Steam Humidifier is operated by a humidity control. Your humidity control will either be included in your home thermostat (RedLINK Prestige or VisionPRO IAQ), or it will be a separate device (TruelAQ or HumidiPRO). You will use the humidity control to set the desired humidity level for your home, and to turn the Steam Humidifier on and off.

YOUR NEW
STEAM HUMIDIFIER



RedLINK Prestige™ High-Definition Color

- Advanced wireless control of air quality equipment
- Automatically controls temperature, Steam Humidifier, and other air quality equipment
- Shows actual and desired humidity on an intuitive digital display
- Wireless sensor for displaying outdoor temperature and humidity
- Maintenance and service reminders
- Advanced window protection



VisionPRO™ IAQ

- Automatically controls temperature, Steam Humidifier, and other air quality equipment
- Sensor for displaying outdoor temperature and humidity
- Easy 7-day temperature programming on an intuitive digital display
- Maintenance and service reminders
- Advanced window protection



TruelAQ™

- Automatically controls air quality equipment
- Sensor for displaying outdoor temperature and humidity
- Shows actual humidity and desired setting
- Maintenance and service reminders
- Advanced window protection

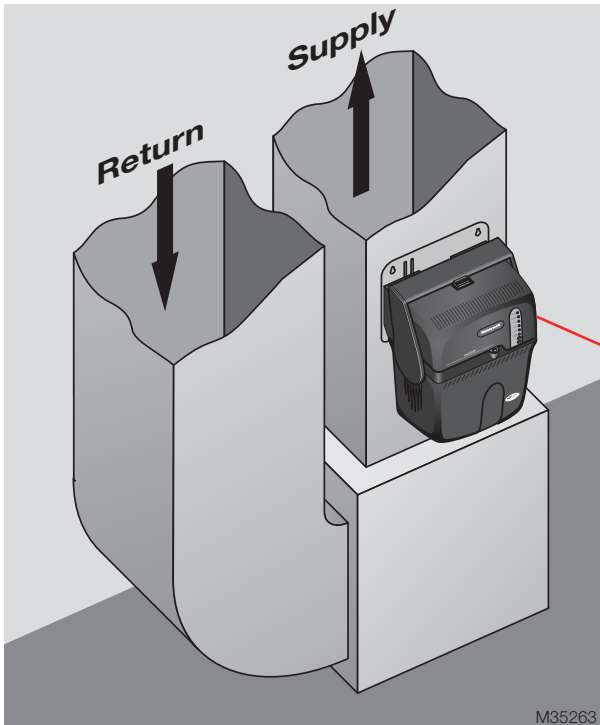


HumidiPRO Digital Control

- Automatic humidification control with advanced window protection
- Optional manual humidification or dehumidification control

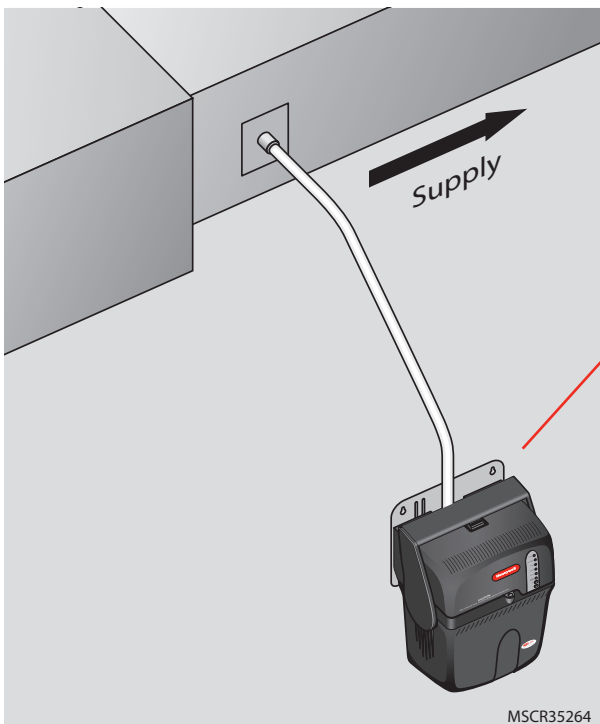
How is my Steam Humidifier installed?

Your HVAC Professional Installer will install the Steam Humidifier in a proper location in your home. The best location depends on your furnace type and configuration, and how your living space is arranged around the furnace ducts. Your Steam Humidifier will be either duct mounted or remote mounted.



Duct mounting. The Steam Humidifier is installed directly onto the supply (hot) air duct of your furnace. The steam nozzle sends steam directly from the Steam Humidifier into the duct for distribution through your home.

YOUR NEW
STEAM HUMIDIFIER



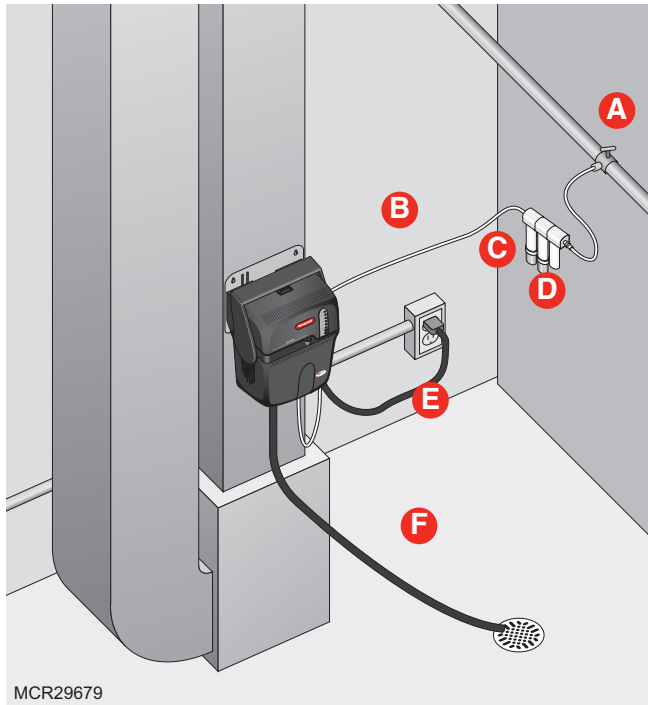
Remote mounting. The Steam Humidifier is installed some distance away from your furnace supply duct. An insulated hose carries steam from the Steam Humidifier to a suitable location on the supply duct.

Remote mounting is usually done when a suitable mounting location can not be found on your furnace duct.

What Steam Humidifier parts do I need to know?

Your Steam Humidifier installation includes the following parts and components that you should be familiar with:

YOUR NEW
STEAM HUMIDIFIER



A. Cold Water Connection with Shutoff Valve

Provides the connection from the Steam Humidifier to your home's cold water pipe. Your Professional Installer may have used the saddle valve that came with the Steam Humidifier, or may have chosen a different type of connection. This connection must include a shutoff valve for you to turn off water flow to the Steam Humidifier, if necessary.

IMPORTANT: the Steam Humidifier requires cold water. Do not connect a hot water supply to the Steam Humidifier.

B. Water Supply Line

This 1/4-inch line brings cold water to the Steam Humidifier from a water pipe in your home. Your Professional Installer may have used the plastic line provided or a copper pipe, as appropriate.

C. In-line Water Filter

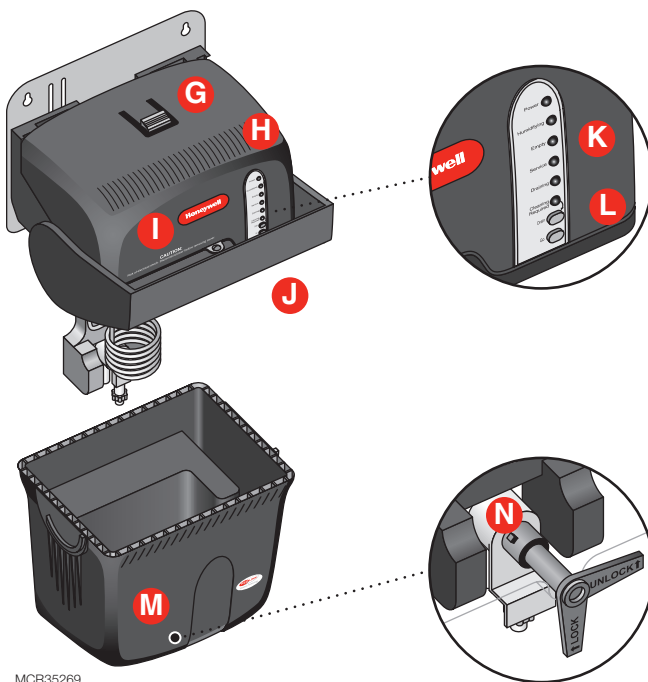
It is likely the installer provided a water filter on the water supply line leading to the Steam Humidifier. This helps minimize mineral deposits forming in the Steam Humidifier's tank. For optimal performance, replace this water filter once each humidification season. See "How do I change the water filter?" on page 19.

D. Shutoff Valve and Backflow Preventer

This valve was provided by Honeywell and is required by code. It prevents water from flowing backward in the water supply line.

E. Power Cord

The Steam Humidifier is plugged into a 120 volt AC household electrical outlet. The power cord provided is 6 feet long.



F. Water Drain Line

This 1/2-inch hose drains water from the Steam Humidifier to a drain in your home. The tank is drained automatically when the Steam Humidifier performs an automatic flush cycle, and at the end of the humidification season. You may also drain the tank manually in order to clean the tank or perform additional maintenance.

G. Safety Release Button

This button prevents the tank release lever from accidentally moving forward and releasing the water tank. Press and hold the button down to move the lever forward.

H. Ventilation Holes

These holes provide airflow for the electronic components inside the Steam Humidifier cover. Normal maintenance includes keeping these holes clean.

I. Steam Humidifier Cover

The Steam Humidifier wiring connections and electronic components are located behind the cover. There are no homeowner-serviceable parts here, and the cover should only be removed by a qualified HVAC Service Technician.

J. Tank Release Lever

This lever locks the water tank in place on the Steam Humidifier. Press the safety release button, then pull the lever forward to release the water tank when removing for cleaning or service.

IMPORTANT: Only remove the tank after it is completely empty. See “How do I clean the tank?” on page 16.

K. Light Display

The six lights are on or blinking to indicate the Steam Humidifier’s operational status and when service is required. See “What do the lights tell me?” on page 13.

L. Steam Humidifier Buttons

The two buttons are the only controls located on the Steam Humidifier. They are seldom used by the homeowner. (Remember, day-to-day operation is done using your humidity control.) Use the Drain button to manually drain the water tank. Use the Go button to reset the Steam Humidifier when restarting the system. See “When will I press the Drain and Go buttons?” on page 14.

M. Water Tank

The tank holds the water that the Steam Humidifier heats and converts to steam. The tank can be removed for cleaning.

N. Manual Shutoff Valve

Turn this valve by hand to either of two positions:

Lock: The valve will be locked during operation. This turns the water supply on and locks the solenoid valve in place. (The Steam Humidifier uses the solenoid valve to control water flow into the tank.)

Unlock: Turning the valve to “Unlock” seals the bottom of the tank and the water supply to avoid leaks when performing manual cleaning of the tank. It also disengages the solenoid valve so that you can push the solenoid back in its base to release the tank. Once this is done, you can pull the tank release lever forward to remove the tank for cleaning. See “How do I clean the tank?” on page 16.

What should I expect from my Steam Humidifier?

Honeywell wants to make sure you know what to expect from your new Steam Humidifier installation. Make sure you discuss these items with your Professional Installer:

- **Achieving Humidity Setpoint.** It may take up to a week of continuous operation to initially achieve the humidity setpoint. This depends on factors such as weather, size of home, furnishings in the home, and insulation. Once this is achieved, the Steam Humidifier will not have to run as often.
- **Plastic or Rubber Odor.** When the humidifier starts up after the initial installation, it is normal to smell a slight plastic odor in the home. If the remote hose is used, there may be a slight rubber odor. These odors will go away within a few days.
- **Ideal Humidity.** 35% relative humidity in typical winter weather is considered ideal for indoor comfort by industry experts. You can adjust to your own comfort or until there is condensation on the windows. Lower the setpoint if condensation appears.
- **Unit Not Humidifying.** If the Steam Humidifier is not running but the humidity is below the desired setting, the humidity control may be set to a frost protection setting. Also, note that the Steam Humidifier will not humidify while in an automatic flush cycle. See “What is a Frost Protection Setting?” on page 12.
- **Setpoint Not Reached.** If humidity doesn’t reach the setpoint, the Steam Humidifier may be under-sized for the home. This can be due to insulation, windows, arid climate, and other environmental factors. Also, the outdoor temperature may be too low to maintain the humidity level. If the desired humidity is still not reached, a larger capacity Steam Humidifier or multiple units may be needed.
- **Home Ventilation.** Excessive ventilation exhausts humidified air and replaces it with dry air. This can make it hard to maintain the humidity setpoint. If you are installing a ventilator, use a solution that retains moisture. An Energy Recovery Ventilator (ERV) is recommended.
- **Cleaning Required Light.** If the Cleaning Required light is on, clean the Steam Humidifier using the steps found in “How do I clean the tank?” on page 16. The Steam Humidifier will continue to run normally while the Cleaning Required light is on.
- **Hard Water.** Your home’s water hardness determines how often the Steam Humidifier must be cleaned and how often the water filter needs to be replaced.
- **Energy Consumption.** You may notice a slight increase in overall energy consumption when operating any humidifier. However, the Steam Humidifier will make the home feel warmer. This allows you to lower the temperature setting on the thermostat. Every degree lower on the thermostat can save up to 3% on heating costs.

How do I operate the Steam Humidifier?

Once the Steam Humidifier is installed and running, operation is automatic. Use the humidity control provided to make any changes to the setpoint, or to turn the Steam Humidifier on or off.

Your Professional Installer configured the Steam Humidifier so that it only creates steam when conditions in your HVAC system are right. Also, steam will only be produced when your system fan is blowing air through the duct.

Be sure to read the manual that came with your humidity control. Ask your Professional Installer if you have questions about how to operate the Steam Humidifier.

- **How do I use the humidity control?** Whenever humidity in the home is lower than the humidity control's setpoint, the control will call for humidity. Some controls will also monitor outdoor conditions to ensure indoor humidity does not condense on windows and walls. Refer to the manual provided with your humidity control for instructions on setting the control. There are two different types of humidity control:

Thermostat with integrated humidity control (such as VisionPRO IAQ or RedLINK Prestige).



This arrangement allows you to control your furnace, central air conditioning, and Steam Humidifier, all with one device.

Humidity control separate from the thermostat (such as the HumidiPRO or TrueIAQ).



With this arrangement, you will use your current thermostat to control your furnace and central air conditioning. Use the separate humidity control to control your Steam Humidifier.

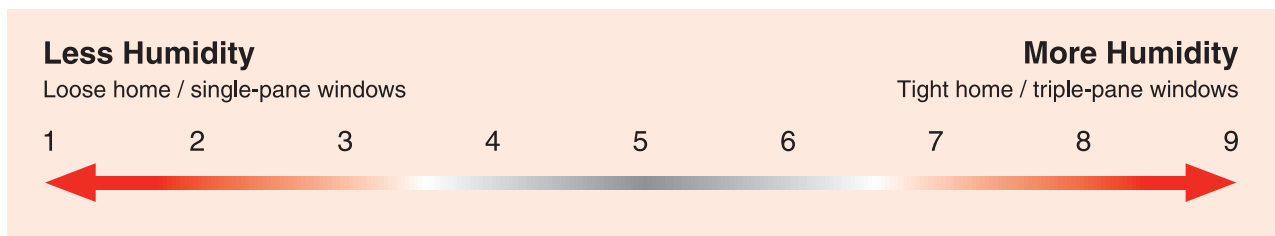
EVERYDAY
OPERATION

- **What should my humidity setpoint be?** The outdoor air temperature affects how much humidity can be retained by the air in your home. Use this table as a starting point. Then adjust the humidity control to your own comfort or until condensation appears on the windows.

Outdoor Temperature	Recommended Relative Humidity Setting
-20°F (-29°C)	15%
-10°F (-23°C)	20%
0°F (-18°C)	25%
10°F (-12°C)	30%
20°F (-7°C)	35%
>20°F (-1°C)	35%

- **What is a Frost Protection Setting?** Some humidity controls (such as Prestige, VisionPRO IAQ, and HumidiPRO) contain a Window Frost Protection feature which limits humidity output based on outdoor conditions. For example, on colder days, the air in your home can hold less humidity. The humidity control automatically lowers the humidity setpoint accordingly, to prevent frost from appearing on the inside of your windows.

Lower the frost setting by one value each morning that you see frost or condensation on windows. Allow 24 hours for the new setting to take effect before re-adjusting. Once you have this set to a comfortable level without condensation, you will not need to adjust further. You can adjust your humidity setpoint without worrying about condensation.

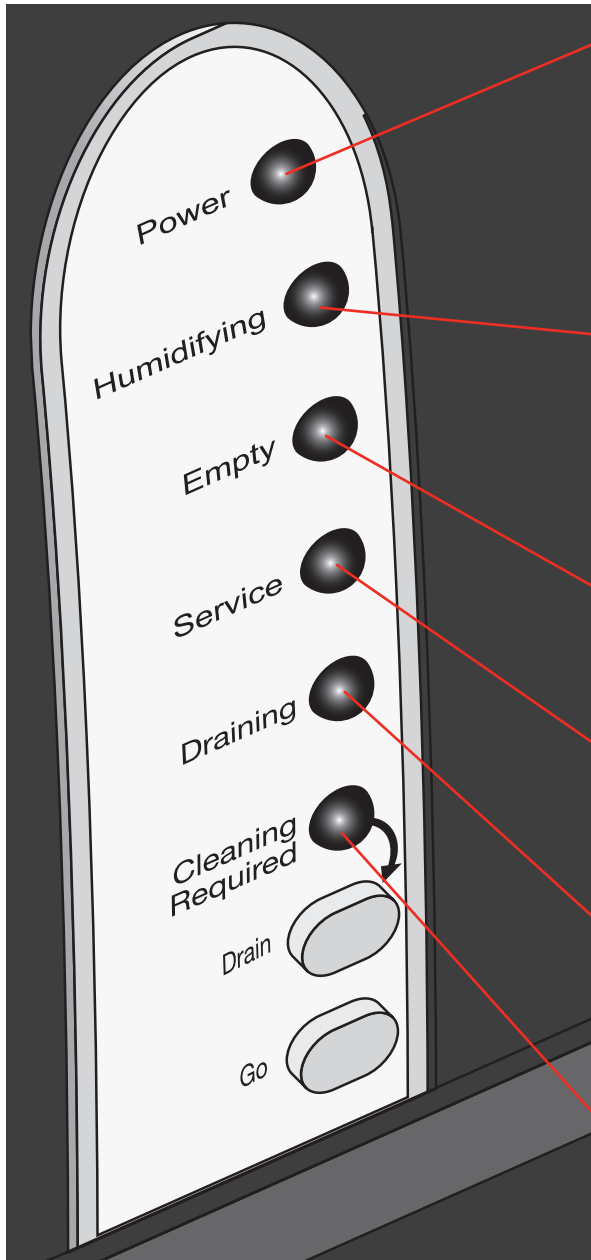


MCR27982

Manual humidity controls do not have built-in frost settings. They require you to adjust the humidity setpoint when the outdoor temperature changes. Use higher humidity setpoints when the temperature is warmer, and lower setpoints when the temperature is cooler.

What do the lights tell me?

The six lights show the Steam Humidifier status and indicate when service needs to be performed.



129628A

Power (Green). When power LED is On, the power cord is plugged in and the tank is locked.

Humidifying (Green).

On – Steam Humidifier is actively heating water and creating steam.

Blinking – Steam Humidifier is restarting or filling. This occurs when plugging in the power cord, and lasts for about 5 minutes. You can press the Go button to restart the Steam Humidifier immediately.

Off – Steam Humidifier is in Ready mode – it can heat water and produce steam when a humidity call comes from the control.

Empty (Green). When on, the water tank is empty and can be removed for manual cleaning.

Service (Red).

Blinking – The number of blinks (1–18) shows the type of fault the Steam Humidifier has detected. See “What should I do if the Service light is blinking?” on page 21.

Draining (Yellow).

Blinking – Steam Humidifier is flushing water from the tank for manual cleaning. See “What is the automatic flush cycle?” on page 15.

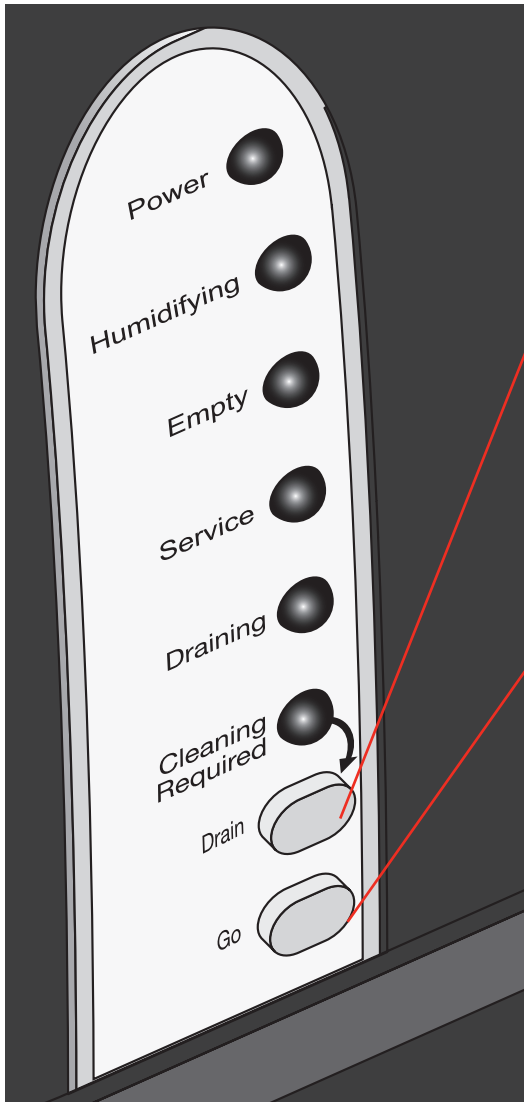
Cleaning Required (Yellow).

On – Indicates that the tank needs to be cleaned manually. See “How do I clean the tank?” on page 16.

EVERYDAY
OPERATION

When will I press the Drain and Go buttons?

The two buttons are used when starting the Steam Humidifier and to manually drain the tank.



M29628A

EVERYDAY
OPERATION

Drain Button: Press and hold to drain water from the Steam Humidifier tank. See “How do I clean the tank?” on page 16.

When the Draining light is blinking, the Steam Humidifier is actively flushing water during a manual drain.

Go Button: Press to start or restart the Steam Humidifier when the Humidifying LED is blinking.

Pressing and holding Go also clears the blinking Service light and stops water draining from the tank.

Drain and Go Button: Pressing and holding both the Drain and Go buttons in at the same time will interrupt the water cooling cycle and immediately drain the tank.

IMPORTANT: Pressing and holding the Drain and Go buttons together—when the Draining light is already on—causes the Steam Humidifier to empty the tank, regardless of water temperature. Make sure the drain outlet can handle up to 212°F (100°C), or wait at least 45 minutes to allow the water to cool before using this feature.



CAUTION: Scalding Hazard.

Initial temperature of the drain water may be above 140°F (60°C) and can cause scalding injury. Make sure the drain outlet is not exposed, and use caution when pressing the Drain button.

What is the automatic flush cycle?

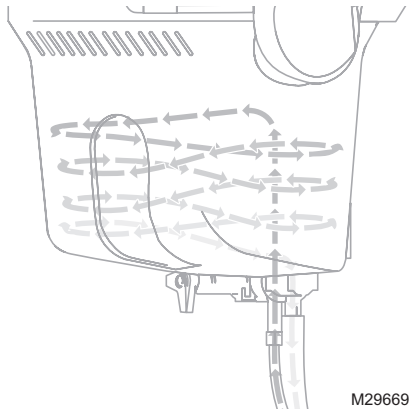
The Steam Humidifier automatically flushes out the water tank periodically during the humidifying season. In the automatic flush cycle, cold water enters the tank while water is being emptied through the drain line. The action of simultaneous filling and draining cools the water to a safe draining temperature. It also dilutes water hardness concentration to reduce mineral deposits from forming in the tank.

At the end of the automatic flush cycle, the Steam Humidifier refills the tank with fresh water, and automatically returns to normal operation.

Automatic flush is performed regularly, based on the number of hours that the Steam Humidifier heats water and produces steam. Automatic flush can be set to occur at any of the following intervals:

- Autoflush Intervals**
- 8 hours
 - 12 hours (factory setting)
 - 20 hours
 - 30 hours (when a RO filter is installed)

Your Professional Installer set the Steam Humidifier to flush at the appropriate interval for your installation. During any service call, the automatic flush interval can be changed, if desired.



CLEANING AND MAINTENANCE



CAUTION: Scalding Hazard.

Initial temperature of the drain water may be above 140°F (60°C) and can cause scalding injury. Make sure the drain outlet is not exposed, and use caution when pressing the Drain button.

Why do I need to manually clean the tank?

Manual cleaning is needed at least once each season to clean out the mineral deposits that remain in the tank after automatic flushing. Manual cleaning is easy – just empty and remove the water tank and clean the interior components. Then re-assemble and start the Steam Humidifier up again.

- **When should I clean the tank?** The Steam Humidifier should be manually cleaned at least once every 5 months. (Hard water may require more frequent cleaning.) The Cleaning Required light turns on when the tank needs manual cleaning. The Steam Humidifier will still operate normally when the Cleaning Required light is on. The light will turn off when you have cleaned the tank and re-started the Steam Humidifier.

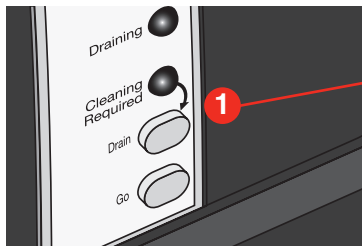
Note: The Cleaning Required LED turns on when the tank drains too slowly during a manual flush cycle, or after 1800 hours of operation (about 6 months). (This is probably due to tank sediment.) The Steam Humidifier will still operate as normal. If during the next manual flush cycle, the tank drains normally, the Cleaning Required light will stop blinking.



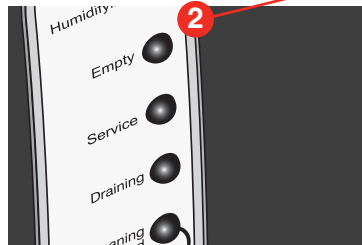
CAUTION: Scalding Hazard.

Initial water temperature may be above 140°F (60°C) and can cause scalding injury. Make sure the drain outlet is not exposed, and use caution when pressing the Drain button.

- **How do I clean the tank?** Follow these steps to manually clean the Steam Humidifier:

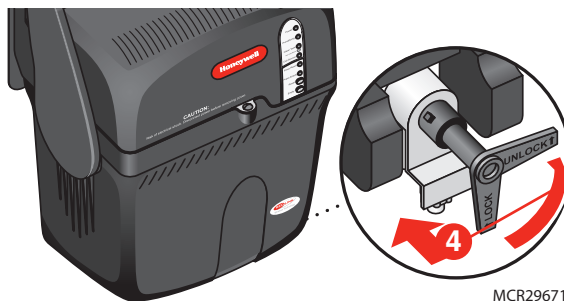


To initiate a flush cycle and empty the water tank, press the Drain button and hold until the Draining LED begins blinking.



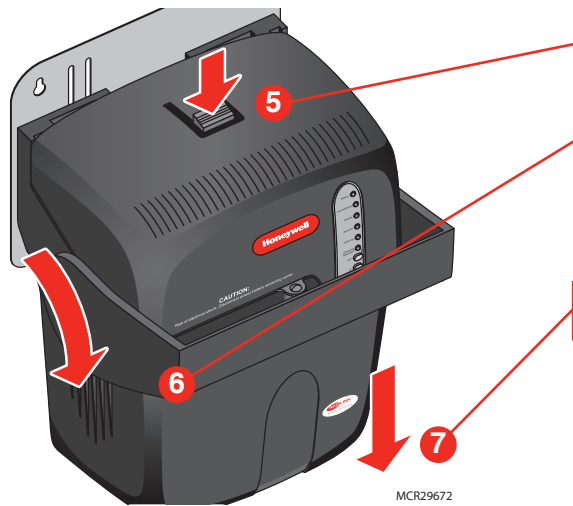
Wait for the Empty light to turn on. (It takes about 45 minutes for the tank to drain.) This indicates that the water has finished draining.

IMPORTANT: You can stop a manual flush once the cycle has started by pressing and holding the Drain button while the Draining light is already blinking. The tank will refill and the Steam Humidifier will return to normal operation in about 5 minutes.



Turn the manual shutoff valve at the tank bottom to the “Unlock” position.

Grip the white water valve arm and push it back to disconnect it from the tank.

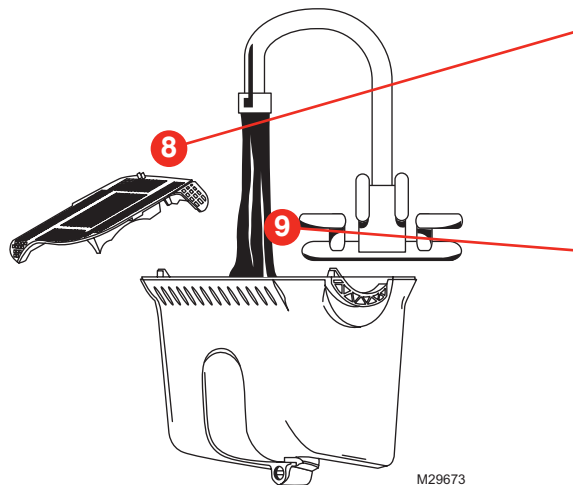


First, firmly grip the tank bottom. Then push down the safety release button.

Pull the latch forward to release the tank.

Note: The latch remains attached to the Steam Humidifier and is not removed with the tank.

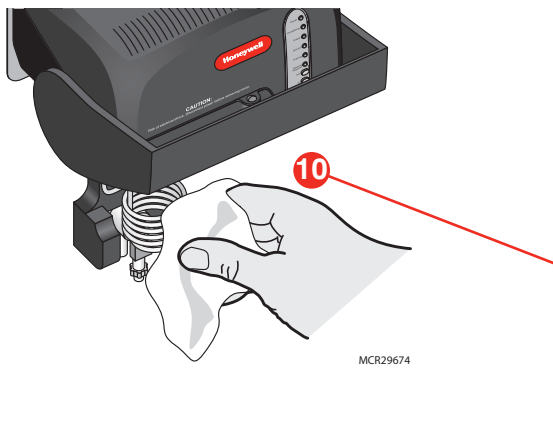
Remove the tank.



Remove the sediment screen from the bottom of the tank.

Use tap water to flush loose minerals from the tank and sediment screen:

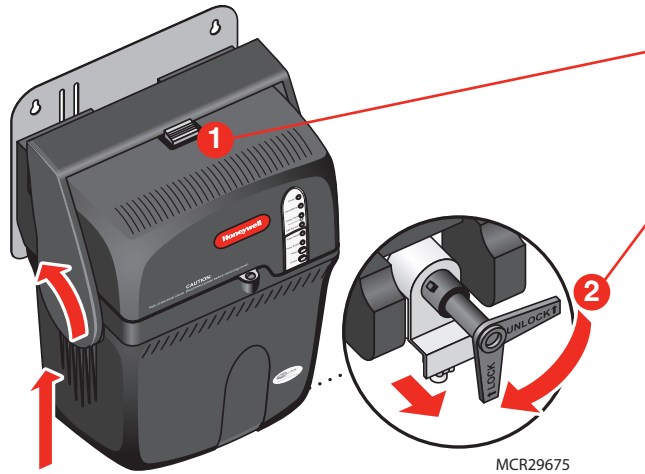
- For a more thorough cleaning, soak tank in warm water. Then rinse clean. Tank is dishwasher safe.
- Honeywell recommends CLR®, LimeAway®, or white vinegar for cleaning. Do not use hydrocarbon- or oil-based cleaners.



Unplug the Steam Humidifier, and carefully rub minerals off the heating element and reservoir walls.

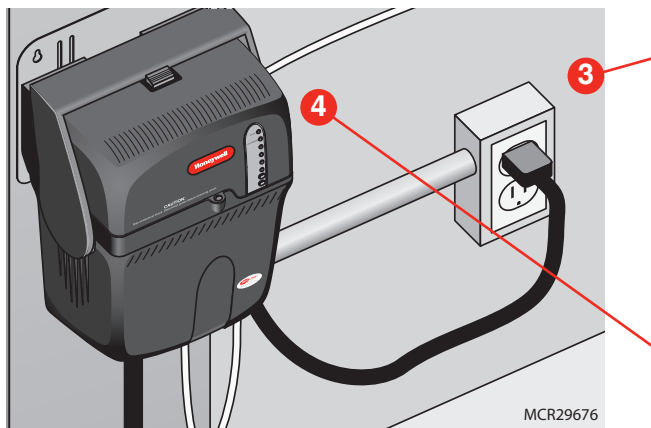
- Scouring pads suitable for non-stick pots or pans may be used to clean the Steam Humidifier reservoir walls and components within the tank.
- For more thorough element cleaning, Honeywell recommends soaking with CLR®, LimeAway®, or white vinegar. Do not use hydrocarbon- or oil-based cleaners.

How do I reassemble and start up the Steam Humidifier? Follow these steps to reassemble the tank and start up the Steam Humidifier after cleaning:



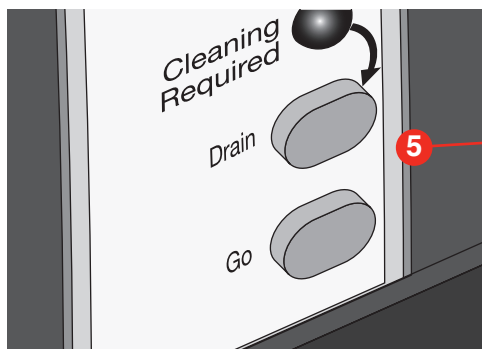
Attach tank by raising the latch past the safety release button.

Pull the white water valve forward to connect to the the black spool. Then turn the manual shutoff valve to the “Lock” position. If the handle turns hard, recheck alignment.



Plug in the power cord.

The Power light will be on at start-up. If the humidity control is also actively calling for humidity, the Humidifying light will blink. This indicates that the Steam Humidifier is waiting to act on the call to allow time for the tank to complete filling.



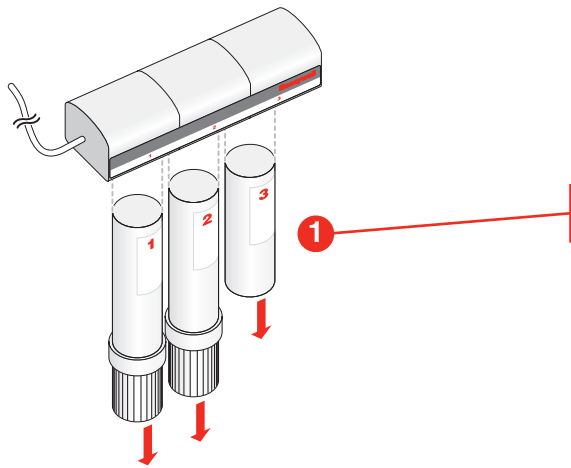
Press the Go button to make the Steam Humidifier ready for use. You must actively call for humidity from the humidity control for the Steam Humidifier to produce steam.

Note: You don't have to press the Go button after plugging in the power cord. The Steam Humidifier will wait for 5 minutes and then automatically restart itself.

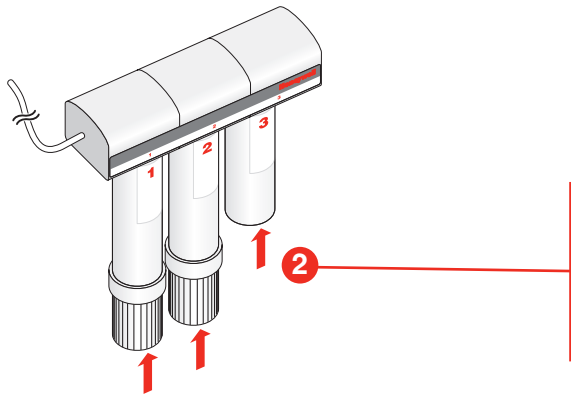
CLEANING AND MAINTENANCE

How do I change the water filter?

- **Changing the reverse osmosis filter cartridges.** If the reverse osmosis filter is used in your installation, you will need to replace two filter cartridges once every humidification season. Notice that the reverse osmosis filter option has more components than the in-line filter and includes a separate drain line. This option provides better filtration and prevents harder water from flowing into your Steam Humidifier.



Remove filters #1, #2, and #3, in this order.



Reconnect filters in this order:


- Empty water from the #3 filter and reconnect to the RO System. (Do not replace.)
- Connect a new #2 filter.
- Connect a new #1 filter.

M29663

What should I do at the end of the season?

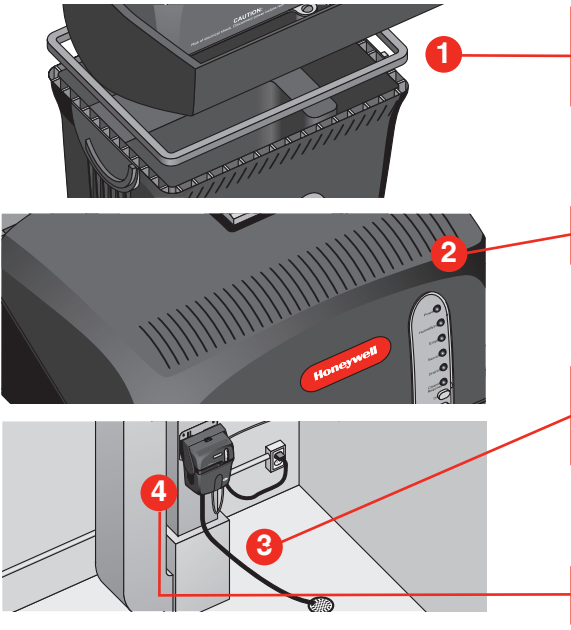
The Steam Humidifier automatically shuts down when humidity is not needed for an extended period. After several days of inactivity, the water tank will drain and remain empty until humidity is called again. This prevents water from stagnating inside the tank. The Steam Humidifier will refill the tank with water and reset itself when your control calls for humidity again.

Follow these maintenance steps at the end of the heating season. Doing this each year helps keep your Steam Humidifier at peak efficiency:

 **WARNING! Electrocution Hazard.**
During cleaning, the Steam Humidifier must be unplugged if cover is removed to prevent 120 VAC from being present in the coil and other tank components.

Clean the tank, following the procedure in “How do I clean the tank?” on pages 15 - 18. Cleaning the tank at the end of the season ensures the Steam Humidifier will be ready to perform the next time your home needs humidity.

CLEANING AND MAINTENANCE



1 Examine the water tank gasket. If the gasket is cracked or split, it must be replaced before re-attaching the water tank.

2 Clean out the ventilation holes in the Steam Humidifier cover.

3 Clear the water drain tube connected to the solenoid valve. Disconnect the hose and inspect for blockage, then run hot tap water through the hose.

4 Check that the Steam Humidifier is still installed in a level position.

- **What if I go on vacation?** Even though the Steam Humidifier’s water tank will drain automatically after several days, Honeywell recommends shutting off the Steam Humidifier water supply and turning off the humidity control for extended leaves. Upon return, turn on the water supply and reset the control to the desired setpoint.

What should I do if the Service light is blinking?

The red Service light blinks when the internal diagnostics detect a problem with the Steam Humidifier. Follow these steps to try and correct the problem:

1. Press and hold the Go button to clear the fault. If the Steam Humidifier can reset itself, the Service light will stop blinking, and the Steam Humidifier will operate normally. No further action is required.
2. If the fault doesn't clear, unplug the Steam Humidifier power cord and plug it back in to the electrical outlet.
3. If the fault reappears, wait 24 hours before calling a HVAC Professional Installer. The Steam Humidifier may correct itself automatically.

What if I am having a problem with the Steam Humidifier?

If you have difficulty with the Steam Humidifier, please try the following suggestions. Most problems can be corrected quickly and easily.

Problem	Symptoms or Causes	Steps to Fix (Performed Only By Professional HVAC Technician)
Low humidity	Steam Humidifier not producing steam.	<ol style="list-style-type: none"> 1. Confirm the Power light is on. 2. Set the humidity control and/or frost setting higher. See "How do I use the humidity control" on page 11. 3. Humidification LED should be on. 4. Check that the furnace power is on and that the fan is operating. 5. Reset your circuit breaker or check for a blown fuse. If fault persists, turn the humidity control off and unplug the Steam Humidifier. Call a HVAC Professional Contractor.
	Rapid air changes. Drafts (cold air is dry and is an added load for the Steam Humidifier).	<ol style="list-style-type: none"> 1. Keep doors and windows closed. 2. Close fireplace damper when not in use. 3. Keep exhaust fan running time to a minimum. 4. Seal around doors and windows. 5. Ask your Professional Installer about ventilation solutions that retain indoor humidity (such as an Energy Recovery Ventilator).
High humidity	Condensation on walls.	<ol style="list-style-type: none"> 1. Turn off the humidity control and/or frost setting until condensation has completely evaporated. 2. Once condensation has evaporated, readjust the humidity setpoint and/or frost setting to a lower setting to prevent reoccurrence of condensation. See "How do I use the humidity control?" on page 11.
	Heavy condensation on windows.	<ol style="list-style-type: none"> 1. Turn the humidity control down low enough to eliminate condensation caused by moisture from bathing, mopping, cooking, etc. 2. If moisture persists, more ventilation is needed.



5-Year Limited Warranty

Honeywell warrants this product to be free from defects in the workmanship or materials, under normal use and service, for a period of five (5) years from the date of purchase by the consumer. If at any time during the warranty period the product is determined to be defective or malfunctions, Honeywell shall repair or replace it (at Honeywell's option).

If the product is defective,

- (i) return it, with a bill of sale or other dated proof of purchase, to the place from which you purchased it; or
- (ii) call Honeywell Customer Care at 1-800-468-1502. Customer Care will make the determination whether the product should be returned to the following address: Honeywell Return Goods, Dock 4 MN10-3860, 1985 Douglas Dr. N., Golden Valley, MN 55422, or whether a replacement product can be sent to you.

This warranty does not cover removal or reinstallation costs. This warranty shall not apply if it is shown by Honeywell that the defect or malfunction was caused by damage which occurred while the product was in the possession of a consumer.

Honeywell's sole responsibility shall be to repair or replace the product within the terms stated above. HONEYWELL SHALL NOT BE LIABLE FOR ANY LOSS OR DAMAGE OF ANY KIND, INCLUDING ANY INCIDENTAL OR CONSEQUENTIAL DAMAGES RESULTING, DIRECTLY OR INDIRECTLY, FROM ANY BREACH OF ANY WARRANTY, EXPRESS OR IMPLIED, OR ANY OTHER FAILURE OF THIS PRODUCT. Some states do not allow the exclusion or limitation of incidental or consequential damages, so this limitation may not apply to you.

THIS WARRANTY IS THE ONLY EXPRESS WARRANTY HONEYWELL MAKES ON THIS PRODUCT. THE DURATION OF ANY IMPLIED WARRANTIES, INCLUDING THE WARRANTIES OF MERCHANTABILITY AND FITNESS FOR A PARTICULAR PURPOSE, IS HEREBY LIMITED TO THE FIVE-YEAR DURATION OF THIS WARRANTY. Some states do not allow limitations on how long an implied warranty lasts, so the above limitation may not apply to you.

This warranty gives you specific legal rights, and you may have other rights which vary from state to state.

If you have any questions concerning this warranty, please write Honeywell Customer Relations, 1985 Douglas Dr. Golden Valley, MN 55422 or call 1-800-468-1502.

WARRANTY

Automation and Control Solutions

Honeywell International Inc.

1985 Douglas Drive North

Golden Valley, MN 55422

<http://yourhome.honeywell.com>

Honeywell

© U.S. Registered Trademark.

© 2015 Honeywell International Inc.

69-2286EF—07 M.S. Rev. 11-15

Printed in U.S.A.

Guide du propriétaire – Humidificateur à vapeur

GUIDE DE FONCTIONNEMENT POUR LE PROPRIÉTAIRE



Humidificateur à vapeur

INTRODUCTION

Définitions relatives à la sécurité et précautions	2
Bienvenue	3
En quoi le système d'humidificateur à vapeur est-il différent des autres humidificateurs?	3
Quels sont les dispositifs de sécurité du système d'humidificateur à vapeur?	3
Par quoi dois-je commencer?	3
Comment fonctionne le système d'humidificateur à vapeur?	4

VOTRE NOUVEAU SYSTÈME D'HUMIDIFICATEUR À VAPEUR

Quel modèle de système d'humidificateur à vapeur ai-je en ma possession?	5
Quel régulateur d'humidité ai-je?	6
Comment mon système d'humidificateur à vapeur est-il installé?	7
Montage en gaine.	7
Montage à distance	7
Quelles sont les pièces du système d'humidificateur à vapeur qu'il importe de connaître?	8
Que dois-je attendre du système d'humidificateur à vapeur?	10

FONCTIONNEMENT QUOTIDIEN

Comment fonctionne le système d'humidificateur à vapeur?	11
Comment utiliser le régulateur d'humidité?	11
Comment établir le point de consigne d'humidité?	12
Qu'est-ce que le réglage de protection contre le gel?	12
Que m'indiquent les voyants?	13
Quand dois-je enfoncer les boutons Drain (Vidange) et Go (Aller)?	14

NETTOYAGE ET ENTRETIEN

En quoi consiste le cycle de vidange automatique? 15	
Pourquoi dois-je nettoyer	
manuellement le réservoir?	16
Quand dois-je nettoyer le réservoir?	16
Comment dois-je procéder pour nettoyer le réservoir?	16
Comment dois-je procéder pour remonter et démarrer le système d'humidificateur à vapeur?	18
Comment dois-je procéder pour remplacer le filtre à eau?	19
Remplacement de la cartouche de filtre à osmose inversée (OI)	19
Que dois-je faire à la fin de la période d'humidification?	20
Que dois-je faire lorsque je pars en vacances?	20

RÉPARATION

Que dois-je faire si le voyant Service (Réparation) clignote?	21
Que dois-je faire si le système d'humidificateur à vapeur ne fonctionne plus correctement?	21

GARANTIE

Garantie limitée de 5 ans.	22
------------------------------------	----



BESOIN D'AIDE? Pour de l'assistance au sujet de ce produit, veuillez consulter le site <http://yourhome.honeywell.com> ou téléphoner sans frais aux Services à la clientèle de Honeywell au 1-800-468-1502.

Veillez lire et conserver ces instructions.

© Marque de commerce déposée aux États-Unis. Brevets en instance. Copyright © 2009 Honeywell International Inc. Tous droits réservés.

Définitions et précautions relatives à la sécurité

L'installation doit être faite par un technicien d'expérience ayant reçu la formation pertinente.

Lisez attentivement ces instructions. Le fait de ne pas les suivre risque d'endommager le produit ou de constituer un danger.

Veillez lire ce manuel dans son intégralité. Il est important de comprendre le fonctionnement du système d'humidificateur à vapeur et de savoir exécuter les procédures d'entretien requises en toute sécurité. Assurez-vous de lire et de comprendre toutes les étiquettes faisant mention de consignes de sécurité qui sont apposées sur l'humidificateur à vapeur ou à proximité de ce dernier. Ces étiquettes fournissent des instructions supplémentaires et des consignes de sécurité importantes.

Définitions relatives à la sécurité

L'information portant sur l'identification des termes de sécurité doit être lue.

- ⚠ MISE EN GARDE :** Indique une situation dangereuse qui, si elle n'est pas évitée, risque d'endommager le produit ou de causer des blessures corporelles.
- ⚠ AVERTISSEMENT :** Indique une situation dangereuse qui, si elle n'est pas évitée, risque de causer des blessures graves, voire mortelles.

Précautions relatives à la sécurité

Assurez-vous de lire et de comprendre les risques d'accident suivants avant d'installer, d'utiliser ou de manipuler l'humidificateur à vapeur :

- Ne pointez pas la buse de vapeur en direction des gens.
- L'eau à l'intérieur du réservoir peut être très chaude. Assurez-vous de lire l'étiquette d'avertissement sur le système d'humidificateur à vapeur et de comprendre les risques d'ébouillement inhérents à l'eau chaude du réservoir.
- Risque d'ébouillement causé par l'eau qui s'écoule. Lors de la vidange du réservoir, l'eau peut être suffisamment chaude pour causer des blessures. Assurez-vous que vous connaissez le point d'écoulement du tuyau de vidange. Soyez certain que l'eau chaude ne pose pas un risque pour les gens ou les animaux.

- ⚠ AVERTISSEMENT :** Risque d'électrocution.
Le système d'humidificateur à vapeur utilise une tension de 120 V c.a. qui peut causer des blessures graves, voire mortelles. Usez de précaution lors de la réparation du système d'humidificateur à vapeur ou lors de la dépose du réservoir d'eau ou du couvercle. En cas de doute, débranchez le système d'humidificateur à vapeur de même que l'équipement CVCA avant d'effectuer les travaux de réparation.
- ⚠ MISE EN GARDE :** Matériel lourd et risque de dégâts d'eau.
Une installation incorrecte ou une mauvaise utilisation peuvent causer la mort, la cécité, des dégâts d'eau domestiques et des défaillances de l'élément chauffant. Assurez-vous de connaître la procédure de mise à l'arrêt du système d'humidificateur à vapeur et de vidange sécuritaire du réservoir d'eau.
- ⚠ MISE EN GARDE :** Risque de condensation de vapeur, d'incendie et de gel de l'eau.
Peut causer la défaillance du ventilateur ou du limiteur, de même que des dégâts d'eau domestiques.

Bienvenue!

Nous vous félicitons d'avoir fait l'acquisition de ce nouvel humidificateur.

Le système d'humidification à vapeur de Honeywell procure les mêmes avantages de haut rendement et d'efficacité que la vapeur, mais sans nécessiter autant d'entretien que les humidificateurs classiques.

Nous sommes confiants que le système d'humidificateur à vapeur sera un ajout apprécié dans votre domicile.

- **En quoi le système d'humidificateur à vapeur est-il différent des autres humidificateurs?**

- La vapeur passe directement dans votre gaine d'alimentation en air chaud, au lieu de s'évaporer d'un tampon mouillé, ce qui gaspille moins d'eau que les humidificateurs à circulation directe.
- L'humidificateur à vapeur produit l'humidification en utilisant le ventilateur de CVCA au lieu d'utiliser la chaleur du système de chauffage. Cela vous permet d'obtenir des taux d'hygrométrie idéaux pour votre domicile, tout au long de l'année.
- Le système d'humidificateur à vapeur fonctionne automatiquement, comme un thermostat, de manière à maintenir votre domicile au taux hygrométrique souhaité.
- Le système d'humidificateur à vapeur est facile à entretenir. Il vous suffit de nettoyer le réservoir de la manière indiquée. Le réservoir est facile d'accès et sa dépose ne requiert aucun outil.

- **Quels sont les dispositifs de sécurité du système d'humidificateur à vapeur?**

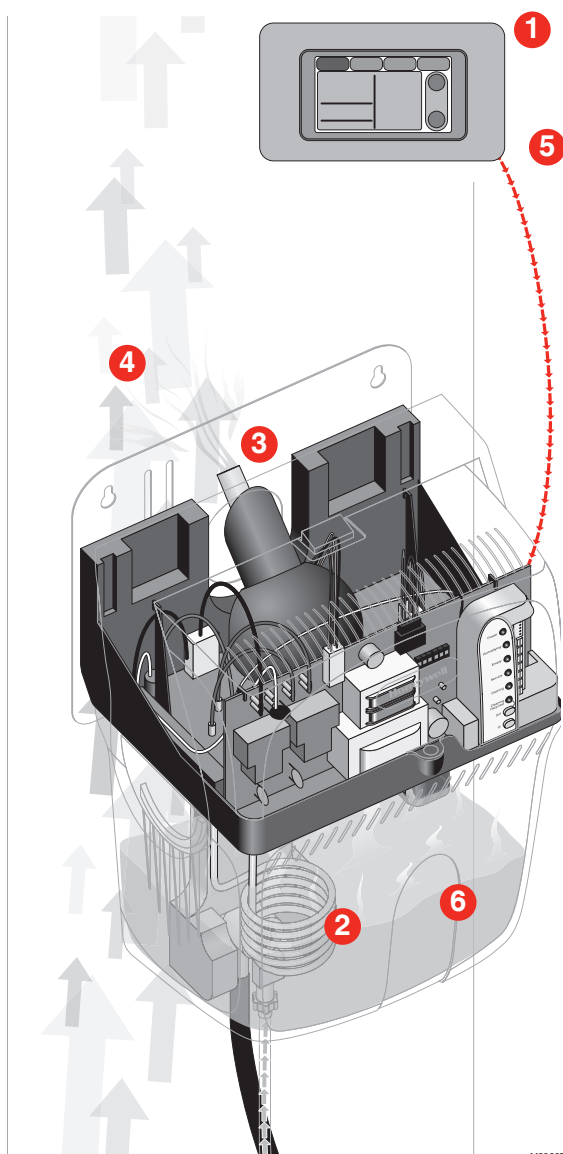
- Un interrupteur de mise sous sécurité, situé à l'intérieur du réservoir, coupe l'alimentation en tension de 120 V c.a. au système d'humidificateur à vapeur lorsque le réservoir est déposé.
- Trois jeux de détecteurs surveillent constamment le niveau de l'eau dans le réservoir. Les détecteurs évitent un remplissage excessif ou un chauffage à sec du réservoir.

- **Par quoi dois-je commencer?** Votre système d'humidificateur à vapeur doit être installé par un installateur professionnel en chauffage, en ventilation et en climatisation. Si le système d'humidificateur à vapeur vient tout juste d'être installé, il devrait fonctionner et humidifier votre domicile ou être en attente d'une demande de production d'humidité du régulateur d'humidité fourni.

Une fois que le système d'humidificateur à vapeur fonctionne, votre seule tâche consiste à régler le régulateur d'humidité au réglage d'humidité qui vous convient.

- Veuillez lire ce guide dans son intégralité pour découvrir des astuces qui vous permettront d'utiliser le système d'humidificateur à vapeur au meilleur de ses capacités.
- Veuillez lire le guide de régulateur de l'humidité et assurez-vous de savoir comment faire fonctionner le système.
- Pour toute question que vous aimeriez poser maintenant ou plus tard, adressez-vous à votre installateur ou téléphonez aux Services à la clientèle de Honeywell au 1-800-468-1502.

Comment fonctionne le système d'humidificateur à vapeur?



M29667

1. L'humidificateur à vapeur est contrôlé par le régulateur d'humidité fourni ou par le thermostat résidentiel si la régulation d'humidité est une fonctionnalité et s'il est correctement câblé. Le régulateur d'humidité est branché au système d'humidificateur à vapeur, au moyen d'une connexion filaire ou sans fil.
2. La bobine de l'élément chauffant chauffe l'eau dans le réservoir jusqu'à ce qu'elle atteigne le point d'ébullition.
3. La vapeur qui en résulte circule hors du système d'humidificateur à vapeur par l'intermédiaire de la gaine d'alimentation en air chaud de votre système CVCA. Si un montage à distance est utilisé, la vapeur circule par un tuyau à vapeur isolé du système d'humidificateur à vapeur vers votre gaine d'alimentation.
4. L'air circulant de ventilateur de la fournaise peut transporter l'humidité dans votre domicile. Il est possible que votre fournaise chauffe l'air. Cela dépend du réglage de votre thermostat et de la configuration du système d'humidificateur à vapeur.
5. Si l'humidité dans votre domicile atteint le point de consigne, la demande de production d'humidité s'interrompt et l'humidificateur à vapeur cesse de produire de la vapeur. Le ventilateur du système de chauffage peut continuer à fonctionner jusqu'à ce que l'humidité dans la gaine soit complètement distribuée dans l'habitation.
6. Les détecteurs surveillent le niveau d'eau dans le réservoir. L'électrovanne intégrée s'ouvre et se ferme automatiquement pour remplir le réservoir, au besoin. Durant de longues périodes d'inactivité, le réservoir se videra complètement pour empêcher la stagnation de l'eau. Le réservoir se remplit de nouveau de manière automatique lorsqu'une demande en humidité est faite.

Quel modèle de système d'humidificateur à vapeur ai-je en ma possession?

L'humidificateur à vapeur est offert en deux formats, chacun procurant une capacité d'humidification différente :

HM609 Le modèle HM509 fournit jusqu'à 9 gallons par jour dans votre domicile. Il convient généralement à des domiciles dont le volume varie entre 8 000 et 18 400 pi³.

HM612 Le modèle HM512 fournit jusqu'à 12 gallons d'eau chaque jour dans votre domicile. Ce modèle convient généralement aux domiciles dont le volume varie entre 12 000 et 24 000 pi³.

Exemple 1 : Résidence de 2000 pieds carrés : Plafonds de 8 pi = 16 000 pieds cubes (2000 x 8)

Exemple 2 : Résidence de 2000 pieds carrés : Plafonds de 10 pi = 20 000 pieds cubes (2000 x 10)

Exemple 3 : Résidence de 2000 pieds carrés : ½ avec plafonds de 8 pi, ½ avec plafonds de 12 pi
= 20 000 pieds cubes ((1000 x 8) + (1000 x 12))

VOTRE NOUVEAU SYSTÈME
D'HUMIDIFICATEUR À
VAPEUR

Le choix du modèle adéquat pour votre domicile dépend de plusieurs facteurs. Des éléments comme le volume à humidifier, la hauteur des plafonds, le type de fenêtre et de matériaux d'isolation de même que la région géographique ont tous une incidence sur les besoins en humidité de votre domicile.

Certaines activités se déroulant dans votre domicile peuvent augmenter la charge du système d'humidificateur à vapeur. Des foyers ventilés, de fortes aspirations générées par des ventilateurs ou des sécheuses peuvent réduire l'humidité du domicile ce qui aura pour conséquence d'accroître l'utilisation du système d'humidificateur à vapeur.

Votre installateur professionnel ou votre vendeur ont pris ces facteurs en compte avant de vous proposer le modèle d'humidificateur à vapeur convenant le mieux à votre environnement.



Cette étiquette fait mention du numéro de modèle et du code date de fabrication de votre système d'humidificateur à vapeur.

Quel régulateur d'humidité ai-je?

L'humidificateur à vapeur est contrôlé par un régulateur d'humidité. L'appareil peut être de type inclus dans votre thermostat domestique (RedLINK Prestige ou VisionPRO IAQ) ou il peut s'agir d'un appareil autonome (TrueIAQ ou HumidiPRO). Vous utiliserez le régulateur d'humidité pour régler le taux hygrométrique de votre domicile et pour mettre le système d'humidificateur à vapeur en fonction et hors fonction.

VOTRE NOUVEAU SYSTÈME
D'HUMIDIFICATEUR À
VAPEUR



RedLINK Prestige™ Couleur haute définition

- Équipement de régulation évolué de la qualité de l'air
- Régule automatiquement la température, le système d'humidificateur à vapeur et d'autres équipements de régulation de la qualité de l'air
- Indique l'humidité réelle et désirée sur un écran numérique intuitif
- Détecteur sans fil pour l'affichage de la température et de l'humidité extérieures
- Rappels d'entretien et de réparation
- Protection des fenêtres avancée



VisionPRO™ IAQ

- Régule automatiquement la température, le système d'humidificateur à vapeur et d'autres équipements de régulation de la qualité de l'air
- Détecteur pour l'affichage de la température extérieure
- Programmation facile pour une période de 7 jours sur un écran numérique intuitif
- Rappels d'entretien et de réparation
- Protection des fenêtres avancée



TrueIAQ™

- Régule automatiquement l'équipement de régulation de la qualité de l'air
- Détecteur pour l'affichage de la température et de l'humidité extérieures
- Affiche l'activité réelle et le réglage désiré
- Rappels d'entretien et de réparation
- Protection des fenêtres avancée

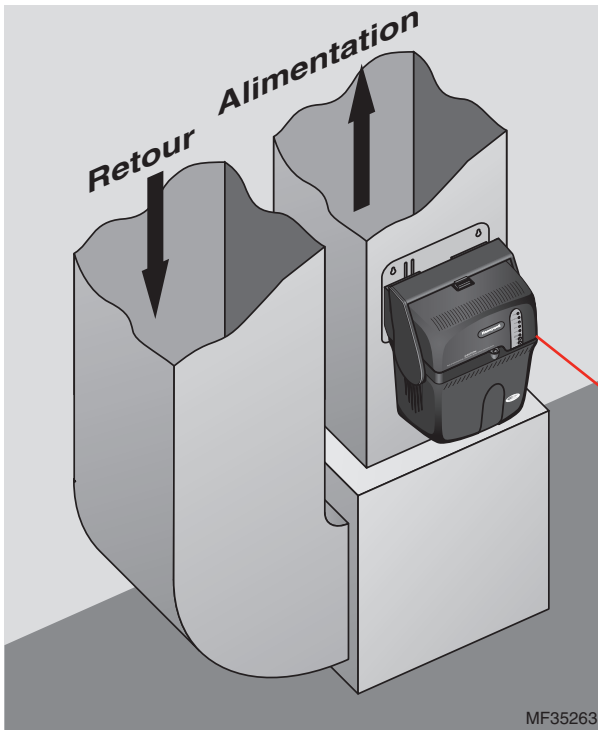


Régulateur numérique HumidiPRO

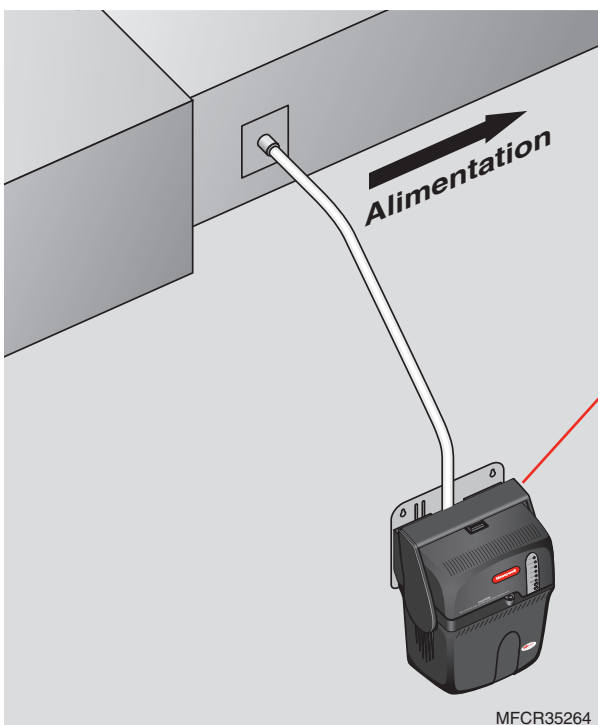
- Régulateur automatique de l'humidification avec protection des fenêtres avancée
- Régulateur d'humidification ou de déshumidification manuel en option

Comment mon système d'humidificateur à vapeur est-il installé?

Votre installateur professionnel CVCA installera le système d'humidificateur à vapeur dans un emplacement adéquat de votre domicile. Le meilleur emplacement dépend du type et de la configuration de votre fournaise, et de la disposition de votre surface habitable autour des gaines de fournaise. Votre système d'humidificateur à vapeur sera soit monté en gaine ou à distance.



Montage en gaine. Le système d'humidificateur à vapeur est directement installé sur la gaine d'alimentation en air (chaud) de votre fournaise. La buse de vapeur répand directement la vapeur du système d'humidificateur à vapeur dans la gaine pour qu'elle soit distribuée dans la maison.

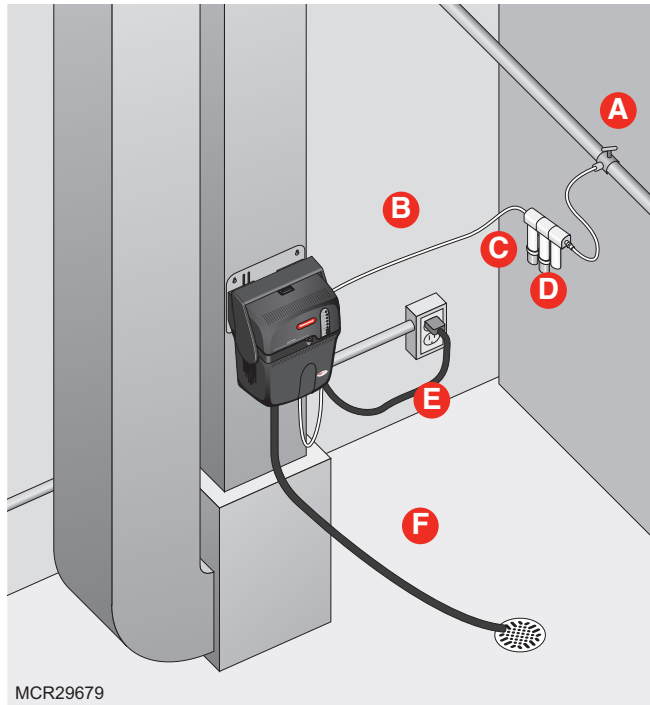


Montage à distance. Le système d'humidificateur à vapeur est installé à une certaine distance de la gaine d'alimentation de votre fournaise. Un tuyau isolé transporte la vapeur du système d'humidificateur à vapeur vers un emplacement approprié dans la gaine d'alimentation.

Le montage à distance est une méthode habituellement utilisée lorsqu'il est impossible de trouver un emplacement de montage adéquat sur la gaine de fournaise.

Quelles sont les pièces du système d'humidificateur à vapeur qu'il importe de connaître?

L'installation du système d'humidificateur à vapeur inclut les pièces et les composants suivants que vous devriez connaître :



A. Un raccord d'eau froide doté d'une vanne d'arrêt

Permet de raccorder le système d'humidificateur à vapeur à la canalisation d'alimentation en eau froide de votre domicile. Votre installateur professionnel peut avoir utilisé la vanne à étrier fourni avec le système d'humidificateur à vapeur, ou peut avoir choisi un autre type de raccord. Ce raccord doit inclure une vanne d'arrêt pour vous permettre de couper le débit d'eau au système d'humidificateur à vapeur, au besoin.

IMPORTANT : Le système d'humidificateur à vapeur utilise seulement de l'eau froide. Il ne faut jamais raccorder une source d'alimentation en eau chaude au système d'humidificateur à vapeur.

B. Canalisation d'alimentation en eau

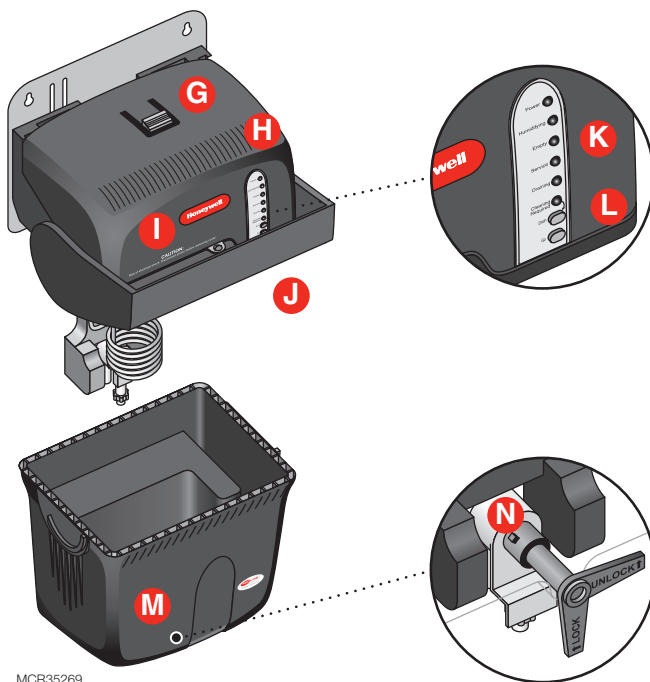
La canalisation de ¼ po alimente le système d'humidificateur à vapeur en eau froide à partir d'une canalisation en eau de votre domicile. Votre installateur professionnel peut avoir utilisé la canalisation de plastique fournie ou un tuyau de cuivre, comme il convient.

C. Filtre à eau en ligne

L'installateur a très probablement utilisé un filtre à eau sur la canalisation d'alimentation en eau menant au système d'humidificateur à vapeur. Cette précaution permet de réduire les dépôts de minéraux dans le réservoir du système d'humidificateur à vapeur. Pour un rendement optimal, remplacez le filtre à eau une fois par saison d'humidification. Consultez la rubrique « Comment dois-je procéder pour remplacer le filtre à eau? » de la page 19.

D. Vanne d'arrêt et dispositif anti-refoulement

Cette vanne fournie par Honeywell est exigée en vertu des codes. Elle empêche l'eau de retourner dans la canalisation d'alimentation en eau.



VOTRE NOUVEAU SYSTÈME
D'HUMIDIFICATEUR À
VAPEUR

E. Cordon d'alimentation

Le système d'humidificateur à vapeur est branché dans une prise de courant domestique de 120 volts c.a. Le cordon d'alimentation fourni mesure 1,8 m (6 pieds).

F. Canalisation d'alimentation en eau

Le tuyau de ½ pouce évacue l'eau du système d'humidificateur à vapeur dans un drain de votre domicile. Le réservoir se vide automatiquement lorsque le système d'humidificateur à vapeur effectue un cycle de vidange automatique et à la fin d'une saison d'humidification. Vous pouvez également vidanger manuellement le réservoir pour le nettoyer ou effectuer d'autres entretiens.

G. Bouton de dégagement de sûreté

Ce bouton empêche le levier de déclenchement du réservoir de se déplacer inopinément vers l'avant et de libérer le réservoir d'eau. Appuyez sur le bouton et maintenez-le enfoncé pour déplacer le levier vers l'avant.

H. Orifices de ventilation

Ces orifices procurent une circulation d'air nécessaire aux composants électroniques à l'intérieur du couvercle d'humidificateur à vapeur. Un entretien normal exige que ces orifices soient gardés propres.

I. Couvercle du système d'humidificateur à vapeur

Les connexions et composants électroniques du système d'humidificateur à vapeur sont situés sous le couvercle. Ces pièces ne peuvent pas être remplacées par le propriétaire. Seul un technicien en entretien et réparation des systèmes de chauffage, de climatisation et de ventilation qualifié peut déposer le couvercle.

J. Levier de dégagement du réservoir

Ce levier verrouille le réservoir d'eau en place sur le système d'humidificateur à vapeur. Poussez le bouton de dégagement de sûreté et tirez le verrou vers l'avant pour libérer le réservoir d'eau lors du nettoyage ou de l'entretien.

IMPORTANT : Attendez que le réservoir soit complètement vide avant de déposer le réservoir. Consultez la rubrique « Comment dois-je procéder pour nettoyer le réservoir? » de la page 16.

K. Affichage lumineux

Les six voyants s'allument ou clignotent pour indiquer l'état fonctionnel du système d'humidificateur à vapeur et la nécessité de procéder à une réparation. Consultez la rubrique « Que m'indiquent les voyants? » de la page 13.

L. Boutons du système d'humidificateur à vapeur

Les deux boutons sont les seules commandes situées sur le système d'humidificateur à vapeur. Ils sont rarement utilisés par le propriétaire. (N'oubliez pas que le fonctionnement quotidien repose sur l'utilisation de votre régulateur d'humidité.) Utilisez le bouton de vidange pour vider manuellement le réservoir d'eau. Utilisez le bouton Go (Aller) pour réinitialiser le système d'humidificateur à vapeur lors du redémarrage du système. Consultez la rubrique « Quand dois-je enfoncer les boutons Drain (Vidange) et Go (Aller)? » de la page 14.

M. Réservoir d'eau

Le réservoir contient l'eau que le système d'humidificateur à vapeur chauffe et convertit en vapeur. Le réservoir peut être déposé à des fins de nettoyage.

N. Vanne d'arrêt manuelle

Tournez cette vanne à la main sur l'une ou l'autre de ces deux positions :

Verrouillage : La vanne doit être verrouillée durant le fonctionnement. Elle permet l'alimentation en eau et verrouille l'électrovanne en place. (Le système d'humidificateur à vapeur utilise l'électrovanne pour réguler le débit d'eau dans le réservoir.)

Déverrouillage : Le fait de tourner la vanne à la position « Déverrouillage » scelle le bas du réservoir et l'alimentation en eau pour éviter des fuites lors de l'exécution de la procédure de nettoyage manuel du réservoir. Cela désengage également l'électrovanne de manière à ce que vous puissiez pousser le solénoïde dans sa base pour libérer le réservoir. Une fois cela fait, vous pouvez tirer le levier de déclenchement du réservoir vers l'avant pour le nettoyer. Consultez la rubrique « Comment dois-je procéder pour nettoyer le réservoir? » de la page 16.

Que dois-je attendre du système d'humidificateur à vapeur?

Honeywell veut s'assurer que vous savez à quoi vous attendre de votre humidificateur à vapeur. Assurez-vous d'aborder les points suivants avec votre installateur professionnel :

- **Établissement du point de consigne d'humidité.** Il peut s'écouler jusqu'à une semaine de fonctionnement continu avant que le point de consigne d'humidité ne soit établi. Cela dépend de facteurs comme la température, la superficie de la maison, l'ameublement et l'isolation. Une fois ceci obtenu, l'humidificateur à vapeur n'aura pas à fonctionner aussi souvent.
- **Odeur de plastique ou de caoutchouc.** Lorsque l'humidificateur démarre après l'installation initiale, il est normal que la résidence s'emplisse d'une légère odeur de plastique. Si le tuyau à distance est utilisé, une légère odeur de caoutchouc pourrait également se répandre. Celles-ci disparaîtront dans quelques jours.
- **L'humidité idéale.** Un taux d'humidité relative de 35 % en hiver est considéré idéal par les experts de l'industrie pour assurer le confort intérieur d'un foyer. Vous pouvez ajuster le réglage selon vos préférences ou jusqu'à ce qu'il y ait de la condensation sur les fenêtres. Abaissez le point de consigne si de la condensation se forme.
- **L'unité ne génère pas d'humidité.** Si l'humidificateur à vapeur ne fonctionne pas, mais que l'humidité est sous le point de consigne désiré, le régulateur d'humidité est peut-être doté d'un réglage de protection contre le gel. Veuillez également noter que l'humidificateur à vapeur ne produit pas d'humidité lorsqu'il est en cycle de rinçage automatique. Consultez « Qu'est-ce que le réglage de protection contre le gel? » à la page 12.
- **Point de consigne non atteint.** Si l'humidité n'atteint pas le point de consigne, la capacité nominale du système d'humidificateur à vapeur utilisé peut être insuffisante pour la superficie du domicile. Cela peut être attribuable à l'isolation, les fenêtres, le climat aride et d'autres facteurs environnementaux. La température extérieure peut être trop basse pour maintenir le niveau d'humidité. Si l'humidité désirée n'est toujours pas atteinte, un humidificateur à vapeur de capacité supérieure ou plusieurs unités peuvent être requis.
- **Ventilation résidentielle.** Une ventilation excessive chasse l'air humide à l'extérieur et le remplace par de l'air sec. Il peut alors être difficile de maintenir le point de consigne d'humidité. Si vous installez un ventilateur, utilisez une solution qui conserve l'humidité. L'utilisation d'un ventilateur récupérateur d'énergie (ERV) est recommandée.
- **Voyant Cleaning Required (Nettoyage requis).** Si le voyant Cleaning Required (Nettoyage requis) s'allume, nettoyez le système d'humidificateur à vapeur en suivant les étapes de la section « Comment dois-je procéder pour nettoyer le réservoir » de la page 16. Le système d'humidificateur à vapeur continue de fonctionner normalement pendant que le voyant Cleaning Required est allumé.
- **Eau dure.** La dureté de l'eau du domicile détermine la fréquence de nettoyage du système d'humidificateur à vapeur et du remplacement des filtres à eau.
- **Consommation d'énergie.** L'utilisation de l'humidificateur pourrait causer une légère augmentation de la consommation énergétique globale lors de l'utilisation de l'humidificateur. En revanche, la résidence semblera plus chaude grâce au système d'humidificateur à vapeur. Cela vous permettra d'abaisser le réglage de température du thermostat. Chaque degré en moins sur le thermostat peut permettre de réaliser des économies allant jusqu'à 3 % des coûts en chauffage.

Comment fonctionne le système d'humidificateur à vapeur?

Une fois le système d'humidificateur à vapeur installé et fonctionnel, le fonctionnement est automatique. Utilisez le régulateur d'humidité fourni pour modifier le point de consigne, ou pour mettre le système d'humidificateur à vapeur en fonction et hors fonction.

Votre installateur professionnel a configuré le système d'humidificateur à vapeur de manière à ce qu'il produise de la vapeur lorsque les conditions de votre système CVCA l'incitent à le faire. En outre, la vapeur peut seulement être produite lorsque le ventilateur du système souffle de l'air par la gaine.

Assurez-vous de lire le guide accompagnant votre régulateur d'humidité. Adressez toute question sur le fonctionnement du système d'humidificateur à vapeur à votre installateur professionnel.

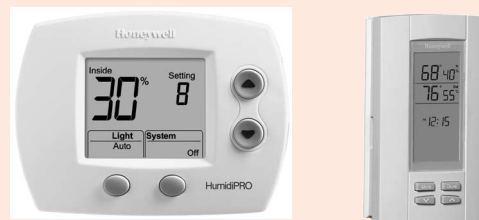
- **Comment utiliser le régulateur d'humidité?** Le régulateur fait une demande de production d'humidité lorsque le taux hygrométrique de la résidence est inférieur au point de consigne du régulateur. Certains régulateurs surveillent également les conditions extérieures pour s'assurer que l'humidité intérieure ne crée pas de condensation sur les fenêtres et les murs. Reportez-vous au guide fourni avec le régulateur d'humidité pour obtenir des directives sur le réglage du régulateur. Il y a deux types différents de régulateurs d'humidité :

Thermostat muni d'un régulateur d'humidité intégré (comme le modèle VisionPRO IAQ ou RedLINK) :



Cette configuration vous permet de réguler votre fournaise, la climatisation centrale et le système d'humidificateur à vapeur, avec un seul appareil.

Régulateur d'humidité distinct du thermostat (comme le modèle HumidiPRO ou TrueIAQ).



Avec cette configuration, vous utiliserez votre thermostat actuel pour réguler la fournaise et la climatisation centrale. Utilisez un régulateur d'humidité distinct pour réguler votre système d'humidificateur à vapeur.

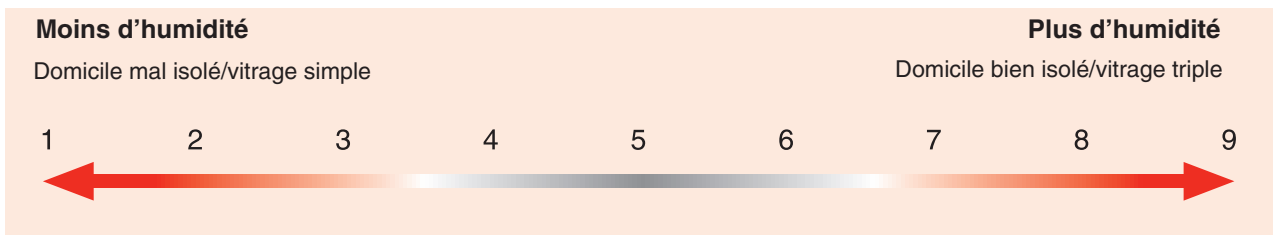
FONCTIONNEMENT
QUOTIDIEN

- **Comment établir le point de consigne d'humidité?** La température de l'air extérieur a une incidence sur la quantité d'humidité présente dans l'air de votre domicile. Utilisez ce tableau comme point de départ. Réglez ensuite le régulateur d'humidité selon vos préférences ou jusqu'à ce que de la condensation se forme dans les fenêtres.

Température extérieure	Réglage d'humidité relative recommandé
-29 °C (-20 °F)	15 %
-23 °C (-10 °F)	20 %
-18 °C (0 °F)	25 %
-12 °C (10 °F)	30 %
-7 °C (20 °F)	35 %
>-1 °C (20 °F)	35 %

- **Qu'est-ce que le réglage de protection contre le gel?** Certains régulateurs d'humidité (comme les modèles Prestige, VisionPRO et HumidiPRO) sont équipés d'une protection contre le gel qui limite la production d'humidité en fonction des conditions extérieures. Le taux d'humidité de votre domicile devrait être moins élevé par temps froid. Le régulateur d'humidité abaisse automatiquement le point de consigne d'humidité en fonction de la température extérieure de manière à empêcher la formation de givre à l'intérieur des fenêtres.

Placez le réglage de protection contre le gel à une position inférieure (d'une valeur) chaque matin où vous apercevez du givre ou de la condensation sur les fenêtres. Attendez 24 heures avant de réglez de nouveau le régulateur. Aucun autre ajustement ne sera nécessaire une fois qu'un niveau de confort acceptable sans formation de condensation aura été atteint. Vous réglez le point de consigne d'humidité sans avoir à vous soucier de la condensation.

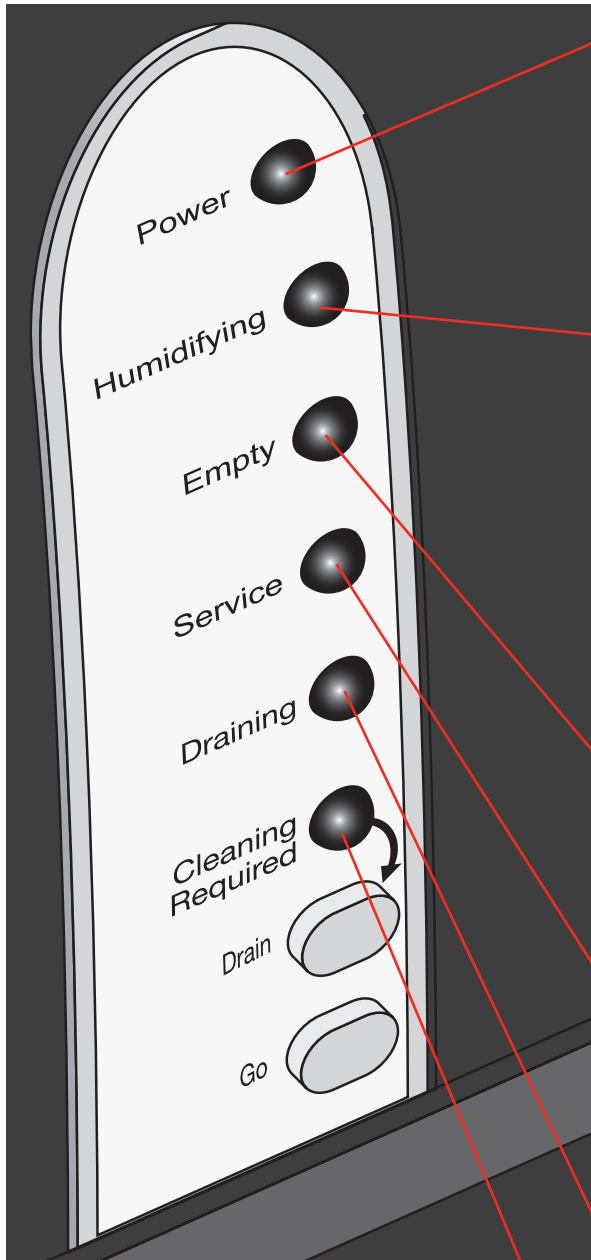


MFCR27982

Les régulateurs d'humidité manuels ne sont pas équipés de réglages de protection contre le gel. L'utilisateur doit régler le point de consigne d'humidité lorsque la température extérieure varie. Utilisez des points de consigne d'humidité plus hauts lorsque la température extérieure est plus chaude, et des points de consigne plus bas lorsqu'elle est plus froide.

Que m'indiquent les voyants?

Les six voyants indiquent l'état du système d'humidificateur à vapeur de même que la nécessité de procéder à des réparations.



129628A

Alimentation (vert) Lorsque le voyant Power (alimentation) est allumé, le cordon d'alimentation est branché et le réservoir est verrouillé.

En cours d'humidification (vert)

Allumé – Le système d'humidificateur à vapeur est en train de chauffer l'eau et de produire de la vapeur.

Clignotement – L'humidificateur à vapeur redémarre ou se remplit. Cela se produit lors du branchement du cordon d'alimentation et dure environ 5 minutes. Vous pouvez appuyer sur le bouton Go (Aller) pour redémarrer immédiatement l'humidificateur à vapeur.
Arrêt – Le système d'humidificateur à vapeur est prêt à être utilisé – il peut chauffer l'eau et produire de la vapeur lorsqu'une demande de production d'humidité lui parvient du régulateur.

Empty (Vide) (vert) Lorsque ce voyant est allumé, le réservoir d'eau est vide et peut être déposé à des fins de nettoyage manuel.

Service (Réparation) (rouge)

Clignotement – Le nombre de clignotements (1–18) indique le type de défaillance détectée par le système d'humidificateur à vapeur. Consultez la rubrique « Que dois-je faire si le voyant Service (Réparation) clignote? » de la page 21.

Draining (Vidange) (jaune)

Clignotement – Le système d'humidificateur à vapeur vidange l'eau du réservoir pour permettre un nettoyage manuel. Consultez la rubrique « En quoi consiste le cycle de vidange automatique? » de la page 15.

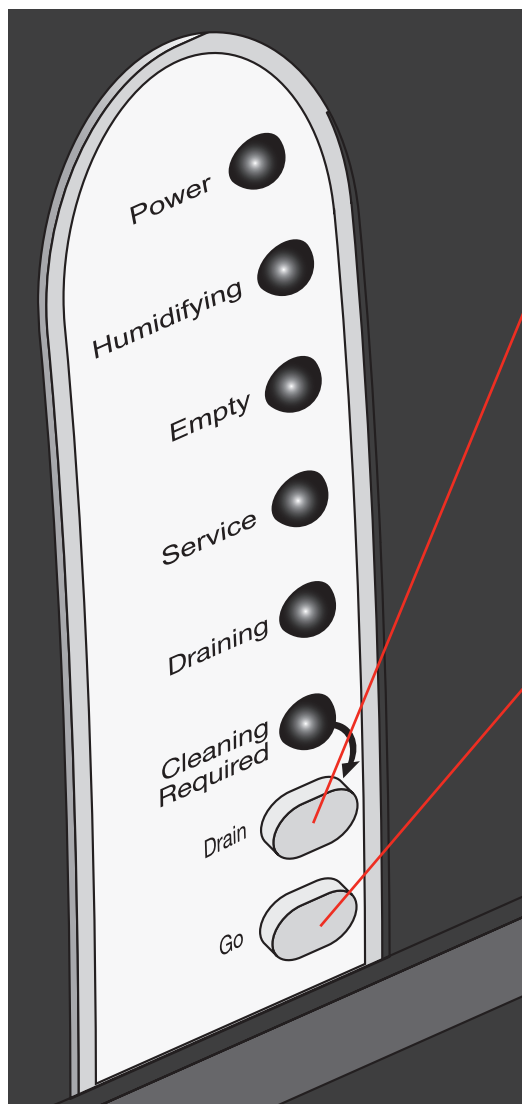
Cleaning Required (Nettoyage requis) (jaune)

Allumé – Indique que le réservoir doit être nettoyé manuellement. Consultez la rubrique « Comment dois-je procéder pour nettoyer le réservoir? » de la page 16.

FONCTIONNEMENT
QUOTIDIEN

Quand dois-je enfoncer les boutons Drain (Vidange) et Go (Aller)?

Les deux boutons sont utilisés pour mettre le système d'humidificateur à vapeur en route et pour vidanger manuellement le réservoir.



M29628A

FONCTIONNEMENT
QUOTIDIEN

Bouton Drain (Vidange) : Appuyez sur le bouton Drain (Vidange) pour vider l'eau du réservoir du système d'humidificateur à vapeur. Consultez la rubrique « Comment dois-je procéder pour nettoyer le réservoir? » de la page 16.

Le système d'humidificateur à vapeur en train de vider l'eau présente dans le réservoir durant une vidange manuelle si le voyant Draining (Vidange) clignote.

Bouton Go (Aller) : Appuyez sur ce bouton pour démarrer ou redémarrer l'humidificateur à vapeur lorsque le voyant Humidifying (humidification) clignote.

Le fait d'appuyer sur le bouton Go (Aller) et de le maintenir enfoncé permet d'interrompre le clignotement du voyant Service (Réparation) et la vidange du réservoir.

Boutons Drain (Vidange) et Go (Aller) : Si vous appuyez simultanément sur les boutons Drain (Vidange) et Go (Aller), le cycle de refroidissement de l'eau s'interrompra et la vidange du réservoir s'effectuera.

IMPORTANT : Si vous appuyez simultanément sur les boutons Drain (Vidange) et Go (Aller) — lorsque le voyant Draining (Vidange) est déjà allumé — le système d'humidificateur à vapeur videra le réservoir, peu importe la température de l'eau. Assurez-vous que la sortie de drain peut résister à des températures de 100 °C (212 °F), ou attendez au moins 45 minutes pour laisser l'eau refroidir avant d'utiliser cette fonction.

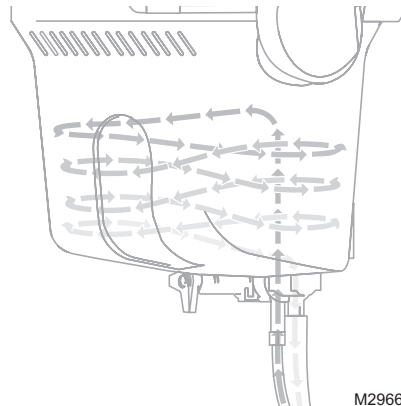


MISE EN GARDE : Risque d'ébouillement.

La température initiale de l'eau du drain peut dépasser 60 °C (140 °F) et causer des blessures par ébouillement. Assurez-vous que la sortie du drain n'est pas à découvert, et usez de prudence lors de l'enfoncement du bouton Drain (Vidange).

En quoi consiste le cycle de vidange automatique?

L'humidificateur à vapeur vidange automatiquement le réservoir d'eau régulièrement pendant toute la saison d'humidification. Lors du cycle de vidange automatique, l'eau froide pénètre dans le réservoir pendant que l'eau est expulsée dans la canalisation de vidange. L'action du remplissage et de la vidange simultanés refroidit l'eau jusqu'à ce sa température atteigne un niveau sécuritaire. Elle dilue également la concentration des ions calcium et magnésium (responsables de la dureté de l'eau) ce qui réduit les dépôts de minéraux présents dans le réservoir.



À la fin du cycle de vidange automatique, le système d'humidificateur à vapeur remplit le réservoir d'eau fraîche et retourne automatiquement au fonctionnement normal.

La vidange automatique s'effectue sur une base régulière, en fonction du nombre de chauffage de l'eau et de production de vapeur par le système d'humidificateur à vapeur. La vidange automatique peut être programmée de manière à s'effectuer selon la périodicité suivante :

Intervalles de vidange automatique

- 8 heures
- 12 heures (réglage d'usine)
- 20 heures
- 30 heures (lorsqu'un filtre OI est utilisé)

NETTOYAGE ET
ENTRETIEN

Votre installateur professionnel a réglé le système d'humidificateur à vapeur de manière à ce que la vidange s'effectue selon une périodicité qui répond aux besoins de votre installation. Si désiré, il est possible de changer la périodicité de la vidange automatique lors d'un appel de service.



MISE EN GARDE : Risque d'ébouillement.

La température initiale de l'eau du drain peut dépasser 60 °C (140 °F) et causer des blessures par ébouillement. Assurez-vous que la sortie du drain n'est pas à découvert, et usez de prudence lors de l'enfoncement du bouton Drain (Vidange).

Pourquoi dois-je nettoyer manuellement le réservoir?

Un nettoyage manuel est requis au moins une fois par saison pour débarrasser le réservoir des dépôts minéraux qui subsistent après la vidange automatique. Il est facile de nettoyer le réservoir. Il suffit de le vider, de le démonter et de nettoyer les composants intérieurs. Après la remise en place du réservoir, le système d'humidificateur à vapeur est prêt à fonctionner de nouveau.

- **Quand dois-je nettoyer le réservoir?** Le système d'humidificateur à vapeur doit être nettoyé manuellement au moins une fois tous les 5 mois. (Il pourra être nécessaire de nettoyer plus fréquemment l'appareil en présence d'eau dure.) Le voyant Cleaning Required (Nettoyage requis) s'allume lorsqu'il est nécessaire de procéder à un nettoyage manuel du réservoir. Le système d'humidificateur à vapeur continuera de fonctionner normalement même si le voyant est allumé. Le voyant s'éteindra après le nettoyage du réservoir et le redémarrage du système d'humidificateur à vapeur.

Remarque : Le voyant Cleaning Required (nettoyage requis) s'allume lorsque le réservoir se vide trop lentement durant un cycle de rinçage manuel, ou après 1800 heures de fonctionnement (6 mois environ). (Cette situation est probablement attribuable à la présence de sédiments dans le réservoir.) Le système d'humidificateur à vapeur continuera de fonctionner normalement. Si durant un cycle de vidange manuel, le réservoir se vide normalement, le voyant Cleaning Required (Nettoyage requis) cessera de clignoter.

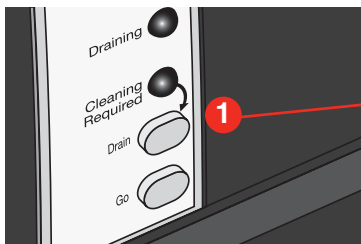


MISE EN GARDE : Risque d'ébullition.

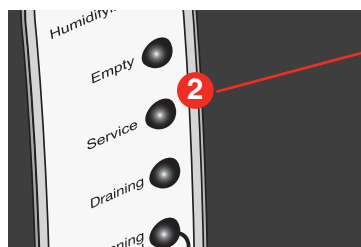
La température initiale de l'eau du drain peut dépasser 60 °C (140 °F) et causer des blessures par ébullition. Assurez-vous que la sortie du drain n'est pas à découvert, et usez de prudence lors de l'enfoncement du bouton Drain (Vidange).

- **Comment dois-je procéder pour nettoyer le réservoir?** Suivez les étapes suivantes pour nettoyer le système d'humidificateur à vapeur :

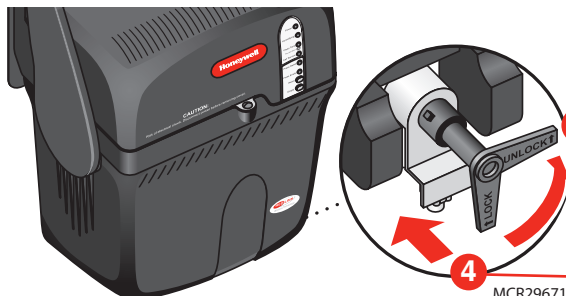
NETTOYAGE ET
ENTRETIEN



Pour lancer un cycle de rinçage et vider le réservoir d'eau, appuyez sur le bouton Draining (vidange) jusqu'à ce que le voyant de vidange commence à clignoter.



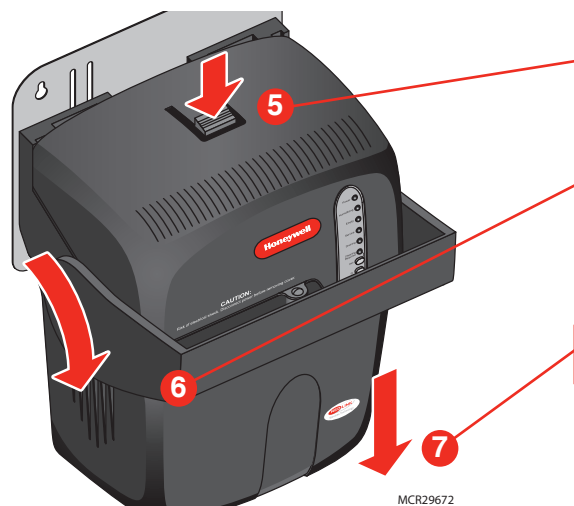
Attendez que le voyant Empty (Vide) s'allume. (Le réservoir met environ 45 minutes à se vider.) Cela indique que l'eau a complètement été évacuée.



IMPORTANT : Vous pouvez interrompre une vidange manuelle une fois que le cycle a débuté en appuyant sur le bouton Drain (vidange) et en le maintenant enfoncé pendant que le voyant Draining (Vidange) clignote. Le réservoir se remplira de nouveau et le système d'humidificateur à vapeur reprendra son fonctionnement normal dans plus ou moins 5 minutes.

Tournez la vanne d'arrêt manuelle au bas du réservoir à la position « Unlock » (Déverrouiller).

Saisissez le bras de la vanne d'eau blanche, puis poussez-le vers l'arrière pour le désengager du réservoir.

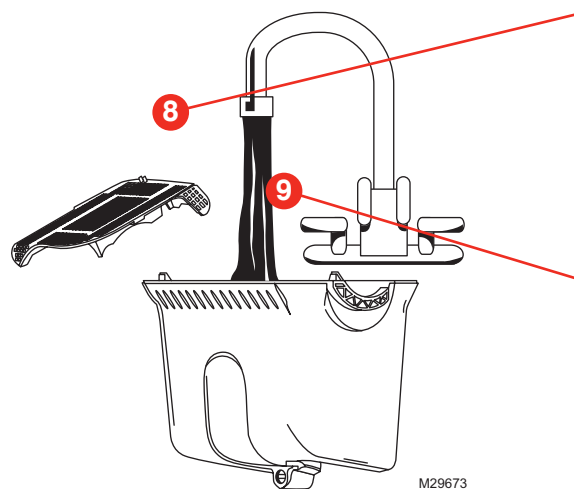


Commencez par saisir fermement le fond du réservoir. Appuyez ensuite sur le bouton de dégagement de sûreté.

Tirez le verrou vers l'avant pour libérer le réservoir.

Remarque : Le verrou reste fixé au système d'humidificateur à vapeur et n'est pas déposé en même temps que le réservoir.

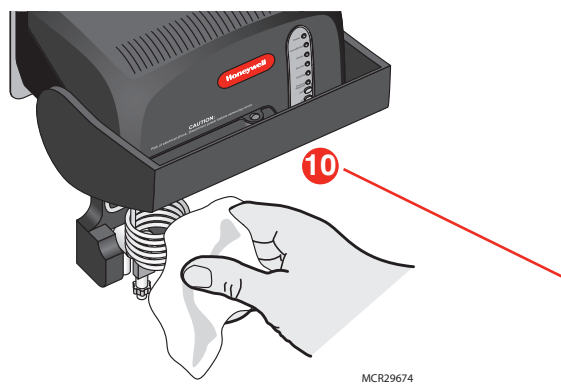
Déposez le réservoir.



Déposez la crépine à sédiments du bas du réservoir.

Utilisez de l'eau du robinet pour retirer les minéraux libres du réservoir et de la crépine du réservoir :

- Pour un nettoyage plus approfondi, faites tremper le réservoir dans de l'eau tiède. Puis rincez à l'eau claire. Le réservoir peut être lavé au lave-vaisselle.
- Honeywell recommande d'utiliser des nettoyants comme CLR® ou LimeAway®, ou du vinaigre blanc pour le nettoyage. N'utilisez pas de produits nettoyants à base d'hydrocarbure ou d'huile.

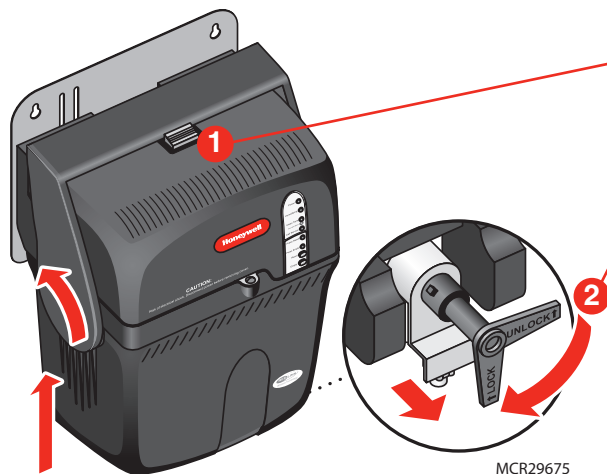


Débranchez le système d'humidificateur à vapeur, puis frottez prudemment les minéraux pour les déloger de l'élément chauffant et des parois du réservoir.

- Des tampons à récurer convenant aux chaudières et casseroles antiadhésifs peuvent être utilisés pour nettoyer les parois et les composants du réservoir du système d'humidificateur à vapeur.
- Pour un nettoyage plus approfondi, Honeywell recommande de tremper le réservoir dans de l'eau additionnée de CLR®, de LimeAway®, ou de vinaigre blanc. N'utilisez pas de produits nettoyants à base d'hydrocarbure ou d'huile.

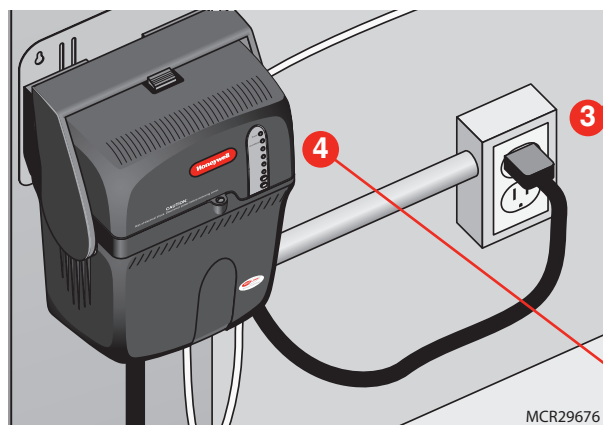
NETTOYAGE ET
ENTRETIEN

Comment dois-je procéder pour remonter et démarrer le système d'humidificateur à vapeur? Suivez ces étapes pour remonter le réservoir et démarrer le système d'humidificateur à vapeur après le nettoyage :



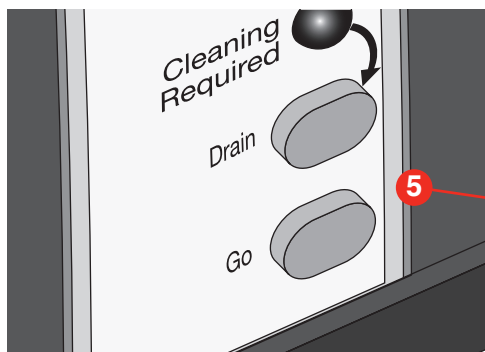
Attachez le réservoir en relevant le verrou au-delà du bouton de dégagement de sûreté.

Tirez le bras de la vanne d'eau blanche vers l'avant pour l'accoupler à la bobine noire. Tournez ensuite la vanne d'arrêt manuelle à la position « Lock » (Verrouiller). Si la poignée tourne avec difficulté, vérifiez de nouveau l'alignement.



Branchez le cordon d'alimentation.

Le voyant d'alimentation s'allumera au démarrage. Si le régulateur d'humidité ne fait pas une demande active de production d'humidité, le voyant Humidifying (Humidification) clignotera. Cela indique que l'humidificateur à vapeur attend de répondre à l'appel d'humidité pour permettre au réservoir de se remplir entièrement.

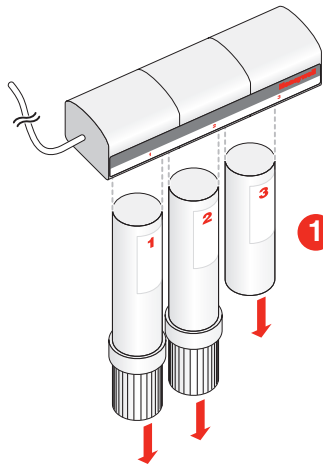


Appuyez sur le bouton Go (Aller) pour amorcer le système d'humidificateur à vapeur. Vous devez faire une demande active d'humidité au moyen du régulateur d'humidité pour que le système d'humidificateur à vapeur produise de l'humidité.

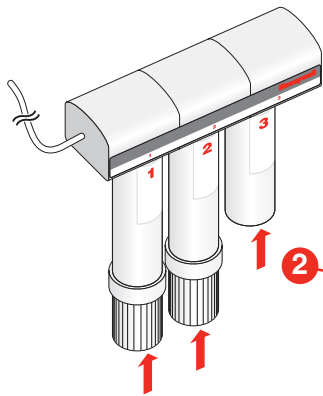
Remarque : Vous n'avez pas à appuyer sur le bouton Go (Aller) après avoir branché le cordon d'alimentation. Après un délai de 5 minutes, l'humidificateur à vapeur redémarre automatiquement.

Comment dois-je procéder pour remplacer le filtre à eau?

- **Remplacement des cartouches de filtre à osmose inversée** Si votre installation est dotée d'un filtre à osmose inversé, vous devrez remplacer deux cartouches de filtre à chaque saison d'humidification. Notez que le filtre à osmose inversé dispose de plus de composants que le filtre en ligne et qu'il inclut une canalisation de vidange distincte. Cette option procure une meilleure filtration et empêche l'eau dure de circuler dans votre système d'humidificateur à vapeur.



Déposez les filtres n^{os} 1, 2 et 3 en respectant cette séquence.



Rebranchez les filtres en respectant la séquence suivante :

- Videz l'eau présente dans le filtre n^o 3 et rebranchez au système OI. (Ne doit pas être remplacé.)
- Installez un filtre n^o 2 neuf.
- Installez un filtre n^o 1 neuf.

M29663

NETTOYAGE ET
ENTRETIEN

Que dois-je faire à la fin de la saison?

Le système d'humidificateur à vapeur cesse automatiquement de fonctionner lorsqu'il n'est pas nécessaire de produire de l'humidité pendant une période prolongée. Après plusieurs jours d'inactivité, le réservoir d'eau se videra et restera vide jusqu'à la prochaine demande de production d'humidité. Cela empêche la stagnation d'eau dans le réservoir. Le système d'humidificateur à vapeur remplira de nouveau le réservoir d'eau et se réinitialisera lorsque le régulateur fera une demande de production d'humidité.

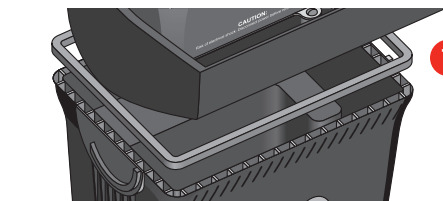
Suivez ces étapes d'entretien à la fin de la période de chauffe. Cette précaution assurera un fonctionnement optimal de votre système d'humidificateur à vapeur :



AVERTISSEMENT! Risque d'électrocution.

Durant le nettoyage, le système d'humidificateur à vapeur doit être débranché avant la dépose du couvercle pour éviter que la tension de 120 V c.a. ne soit présente dans la bobine ou d'autres composants du réservoir.

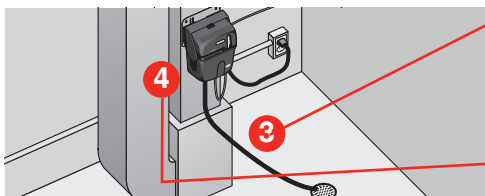
Nettoyez le réservoir en suivant la procédure décrite dans la rubrique « Comment dois-je procéder pour nettoyer le réservoir? » des pages 15 à 18. Le nettoyage du réservoir en fin de saison assure un bon fonctionnement du système d'humidificateur à vapeur lors d'une prochaine utilisation visant à répondre à des besoins d'humidification à l'intérieur de votre domicile.



Inspectez le joint du réservoir d'eau. Si le joint est fendu ou fissuré, il doit être remplacé avant de le replacer sur le réservoir d'eau.



Nettoyez les orifices de ventilation du couvercle du système d'humidificateur à vapeur.



Nettoyez le tube de vidange d'eau raccordé à l'électrovanne. Débranchez le tuyau et assurez-vous de l'absence de blocage, puis faites circuler de l'eau chaude du robinet dans le tuyau.

Assurez-vous que le système d'humidificateur à vapeur est toujours de niveau.

- **Que dois-je faire lorsque je pars en vacances?** Même si le réservoir d'eau du système d'humidificateur à vapeur se vide automatiquement après plusieurs jours, Honeywell recommande de couper l'alimentation en eau au système d'humidificateur à vapeur et de désactiver le régulateur d'humidité lors d'absences prolongées. Au retour, rouvrez l'alimentation en eau et réinitialisez le régulateur au point de consigne désiré.

Que dois-je faire si le voyant Service (Réparation) clignote?

Le voyant rouge Service (Réparation) clignote lorsque le dispositif interne détecte une anomalie dans le système d'humidificateur à vapeur. Suivez ces étapes pour essayer de corriger le problème :

1. Appuyez sur le bouton Go (Allez) et maintenez-le enfoncé pour effacer l'anomalie. Si le système d'humidificateur à vapeur est en mesure de se réinitialiser, le voyant Service (Réparation) cessera de clignoter et le système d'humidificateur à vapeur fonctionnera normalement. Aucune autre action n'est requise.
2. Si la défaillance persiste, débranchez le cordon d'alimentation du système d'humidificateur à vapeur et rebranchez-le dans la prise de courant.
3. Si la défaillance survient de nouveau, attendez 24 heures avant de téléphoner à un installateur professionnel en chauffage, en ventilation et en climatisation. Le d'humidificateur à vapeur est en mesure de régler lui-même certaines défaillances.

Que dois-je faire si le système d'humidificateur à vapeur ne fonctionne plus normalement?

Si vous éprouvez des difficultés avec votre système d'humidificateur à vapeur, nous vous proposons d'essayer les solutions suivantes. La plupart des problèmes peuvent être réglés rapidement et facilement.

Problème	Symptômes ou Causes	Étapes de réparation (effectuées seulement par le technicien CVCA professionnel)
Basse humidité	Le système d'humidificateur à vapeur ne produit pas de vapeur.	<ol style="list-style-type: none">1. Confirmez que le voyant d'alimentation est allumé.2. Ajustez le régulateur D'humidité et/ou le réglage de protection contre le gel. Consultez la rubrique « Comment dois-je utiliser le régulateur d'humidité? » de la page 11.3. Le voyant d'humidification doit être allumé.4. Vérifiez que le système de chauffage est alimenté et que le ventilateur fonctionne.5. Réenclenchez votre disjoncteur ou recherchez un fusible grillé. Si la panne persiste, arrêtez le régulateur d'humidité et débranchez l'humidificateur à vapeur. Appelez un professionnel de CVCA.
	Changements rapides d'air. Courants d'air (l'air froid et sec constitue une charge additionnelle pour le système d'humidificateur à vapeur).	<ol style="list-style-type: none">1. Gardez les portes et les fenêtres fermées.2. Fermez le registre du foyer s'il n'est pas utilisé.3. Limitez l'utilisation du ventilateur d'échappement.4. Étanchez le pourtour des portes et des fenêtres.5. Renseignez-vous auprès de votre installateur professionnel sur les solutions de ventilation qui conserve l'humidité à l'intérieur de la résidence (comme un ventilateur à récupération d'énergie).
Humidité élevée	Condensation sur les murs.	<ol style="list-style-type: none">1. Mettez le régulateur d'humidité et/ou le réglage de protection contre le gel hors fonction jusqu'à ce que la condensation soit complètement dissipée.2. Une fois la condensation évaporée, placez le point de consigne d'humidité et/ou le réglage de protection contre le gel à un réglage plus bas pour empêcher de la condensation ne se forme de nouveau. Consultez la rubrique « Comment dois-je utiliser le régulateur d'humidité? » de la page 11.
	Forte présence de condensation sur les fenêtres.	<ol style="list-style-type: none">1. Placez le régulateur d'humidité à un réglage plus bas pour éliminer la condensation causée par l'humidité des bains, des nettoyages à la vadrouille, de la cuisson, etc.2. Si l'humidité persiste, le domicile doit être mieux ventilé.

Garantie limitée de 5 ans

Honeywell garantit ce produit contre tout vice de fabrication ou de matière dans la mesure où il en est fait une utilisation et un entretien convenables, et ce, pour cinq (5) ans à partir de la date d'achat par le consommateur. En cas de défectuosité ou de mauvais fonctionnement pendant la période de garantie, Honeywell remplacera ou réparera le produit (au gré de Honeywell).

Si le produit est défectueux,

- (i) le retourner, accompagné d'une preuve d'achat indiquant la date d'achat, au détaillant auprès de qui il a été acheté, ou
- (ii) s'adresser aux Services à la clientèle de Honeywell en composant le 1-800-468-1502. Les Services à la clientèle détermineront alors si le produit doit être retourné à l'adresse suivante : Honeywell Return Goods, Dock 4 MN10-3860, 1985 Douglas Dr. N., Golden Valley, MN 55422, ou si un produit de remplacement peut vous être expédié.

La présente garantie ne couvre pas les frais de retrait ou de réinstallation. La présente garantie ne s'appliquera pas s'il est démontré que la défectuosité ou le mauvais fonctionnement est dû à un endommagement du produit alors que le consommateur l'avait en sa possession.

La responsabilité de Honeywell se limite à réparer ou à remplacer le produit conformément aux modalités susmentionnées. HONEYWELL N'EST EN AUCUN CAS RESPONSABLE DES PERTES OU DOMMAGES, Y COMPRIS LES DOMMAGES INDIRECTS OU ACCESSOIRES DÉCOULANT DIRECTEMENT OU INDIRECTEMENT D'UNE VIOLATION QUELCONQUE D'UNE GARANTIE, EXPRESSE OU TACITE, APPLICABLE AU PRÉSENT PRODUIT NI DE TOUTE AUTRE DÉFECTUOSITÉ DU PRÉSENT PRODUIT. Certaines provinces ne permettent pas l'exclusion ou la restriction des dommages indirects et, par conséquent, la présente restriction peut ne pas s'appliquer.

CETTE GARANTIE EST LA SEULE GARANTIE EXPRESSE QUE HONEYWELL OFFRE POUR CE PRODUIT. LA DURÉE DE TOUTE GARANTIE IMPLICITE, INCLUANT LES GARANTIES DE QUALITÉ MARCHANDE OU D'ADAPTATION À UNE UTILISATION PARTICULIÈRE, EST LIMITÉE PAR LES PRÉSENTES À LA PÉRIODE DE CINQ ANS DE LA PRÉSENTE GARANTIE. Certaines provinces ne permettent pas de limiter la durée des garanties tacites et, par conséquent, la présente limitation peut ne pas s'appliquer.

La présente garantie donne au consommateur des droits légaux spécifiques et peut-être certains autres droits qui peuvent varier d'une province à l'autre.

Pour toute question concernant la présente garantie, prière d'écrire aux Services à la clientèle de Honeywell à l'adresse suivante : Honeywell Customer Relations, 1985 Douglas Drive, Golden Valley, MN 55422, ou encore composer le 1-800-468-1502.

Solutions de régulation et d'automatisation

Honeywell International Inc.

1985 Douglas Drive North

Golden Valley, MN 55422

<http://yourhome.honeywell.com>

Honeywell

® Marque de commerce enregistrée aux États-Unis

© 2015 Honeywell International Inc.

69-2286EF—07 M.S. Rev. 11-15

Imprimé aux États-Unis

Free Manuals Download Website

<http://myh66.com>

<http://usermanuals.us>

<http://www.somanuals.com>

<http://www.4manuals.cc>

<http://www.manual-lib.com>

<http://www.404manual.com>

<http://www.luxmanual.com>

<http://aubethermostatmanual.com>

Golf course search by state

<http://golfingnear.com>

Email search by domain

<http://emailbydomain.com>

Auto manuals search

<http://auto.somanuals.com>

TV manuals search

<http://tv.somanuals.com>