



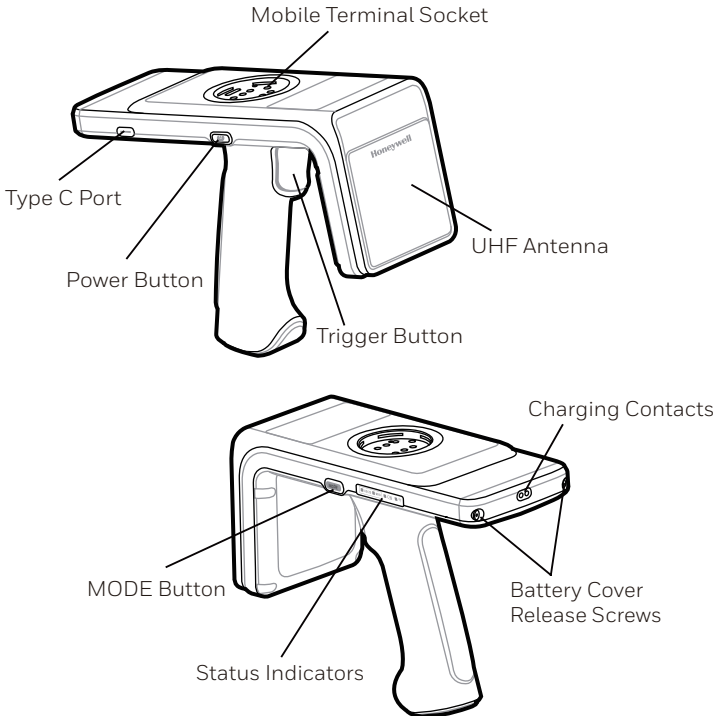
IH25

UHF RFID Reader

Quick Start Guide

Introduction

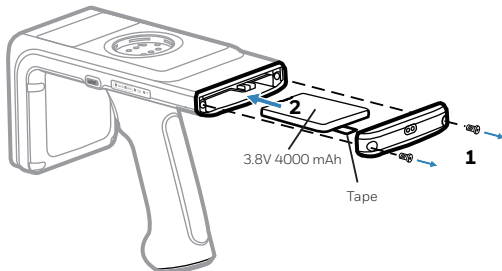
The IH25 UHF RFID Reader provides Ultra High Frequency (UHF) Radio Frequency Identification (RFID) connected to a mobile terminal. The unit can read and write to bar code, QR code and UHF RFID tags.



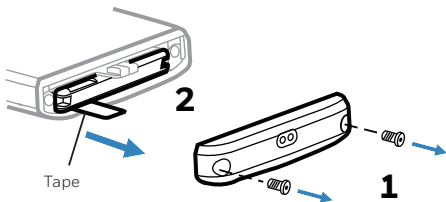
Battery Installation and Remove

Install the battery before using the reader for the first time.

1. To access the battery compartment, remove the battery cover screws and then the battery cover.
2. Insert the battery into the battery compartment with the tape at the bottom.
3. Attach the battery cover and tighten the screws. Note that the torque should be 3.5kg.f.




To uninstall the battery, remove the battery cover screws and then the battery cover. Pull the tape on the battery to pull the battery out.



Charging

Before using the reader for the first time, ensure the battery is fully charged.

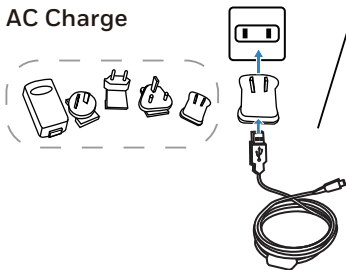
To charge the reader, use the USB cable, the USB cable + AC charge adapter or a docking station.


Solid amber: Charging
Solid green: Fully charged

USB Charge

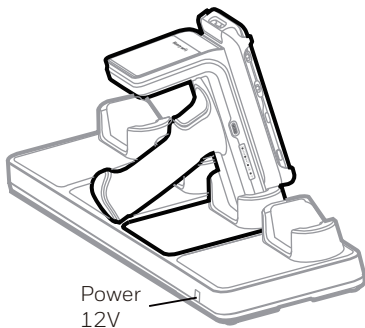
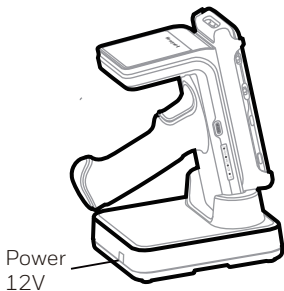


AC Charge



Docking Station Charge

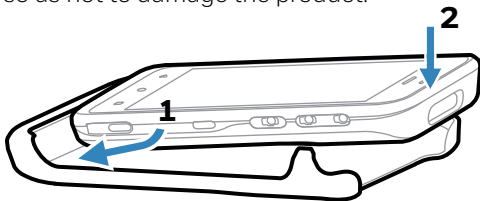
Use the one slot or four-slot docking station to charge IH25 and the mobile terminal. **Note:** when charging, make sure the charging indicator is always on.



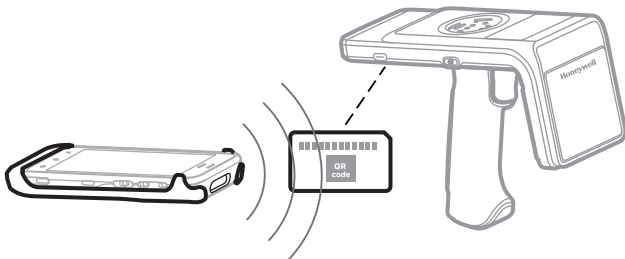
Fitting Device Case and Attaching Device

1. Insert the mobile terminal into the case and press it down.

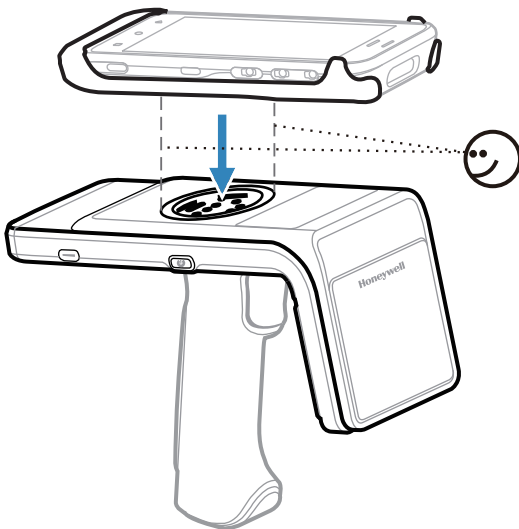
Note: When installing the bracket, pay attention to the angle and strength so as not to damage the product.



2. Turn on power to the reader and the mobile terminal. Use the mobile terminal to scan the QR code on the label attached at the bottom of the reader's main body.

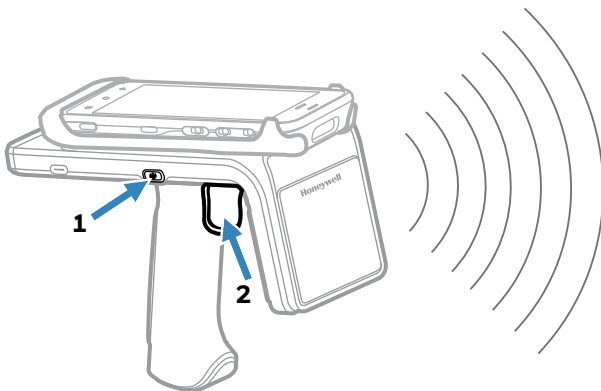


3. Check the stud on the bottom of the case and the socket on the reader are clean and free from dirt or debris.
4. Align the stud with the socket, ensuring that it is parallel, and press the two parts together firmly until they click into place.

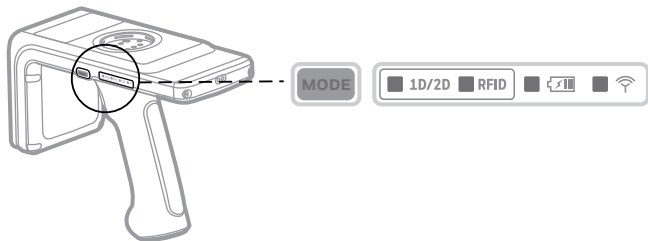


Reading RFID Tags

1. Turn on power to the reader and it beeps one time.
2. Press and hold the **MODE** button for at least 3 seconds to switch to RFID mode. The RFID indicator is on and then off after 5 seconds.
3. Press the trigger button to read tags.
RFID tags can be read when they are in range. The range (typical 0.2ft–20ft) at which a tag can be read depends on the tag type and size and the number of tags in the field.



MODE Button and Status Indicators



MODE

Press the MODE button to light on the current mode light.

Release the button within 3 seconds, the mode light is off.

1D/2D RFID

Press and hold the MODE button for at least 3 seconds to

switch between 1D/2D and RFID mode and the current mode light is on.

Release the button, the current mode light is off.



Solid amber: Charging

Solid green: Fully charged

Red flash/ Green and amber flash alternately: Charge error

Solid red: Battery low warning (<20% capacity remaining.)



Blue slow flash: Bluetooth disconnected (two beeps when disconnect from PDA)

Solid blue: Bluetooth connected (one beep when connected successfully)

Important Safeguards

- We recommend the use of Honeywell accessories and power adapters. Use of any non-Honeywell accessories or power adapters may cause damage not covered by the warranty.
- We recommend use of Honeywell Li-ion battery packs. Use of any non-Honeywell battery may result in damage not covered by the warranty.
- Ensure all components are dry prior to mating the unit and batteries with peripheral devices. Mating wet components may cause damage not covered by the warranty.
- Ensure all components are dry prior to placing the battery in the unit. Mating wet components may cause damage not covered by the warranty.

Support

To search our knowledge base for a solution or to log into the Technical Support portal and report a problem, go to www.hsmcontactsupport.com.

User Documentation

For the user guide and other documentation, go to www.honeywellaidc.com.

Limited Warranty

For warranty information, go to www.honeywellaidc.com and click Get Resources > Product Warranty.

Patents

For patent information, see www.hsmpats.com.

Trademarks

The Bluetooth® word mark and logos are owned by Bluetooth SIG, Inc.

Other product names or marks mentioned in this document may be trademarks or registered trademarks of other companies and are the property of their respective owners.

Disclaimer

Honeywell International Inc. (“HII”) reserves the right to make changes in specifications and other information contained in this document without prior notice, and the reader should in all cases consult HII to determine whether any such changes have been made. The information in this publication does not represent a commitment on the part of HII.

HII shall not be liable for technical or editorial errors or omissions contained herein; nor for incidental or consequential damages resulting from the furnishing, performance, or use of this material. HII disclaims all responsibility for the selection and use of software and/or hardware to achieve intended results.

This document contains proprietary information that is protected by copyright. All rights are reserved. No part of this document may be photocopied, reproduced, or translated into another language without the prior written consent of HII.

Copyright © 2018 Honeywell International Inc. All rights reserved.

辐射暴露声明 型无线电暴露及特定吸收率 (SAR) 的信息



警告：本设备符合国际非电离辐射保护委员会 (ICNIRP)、IEEE C95.1、美国联邦通信委员会工程技术部 (OET) Bulletin 65、加拿大 RSS-102 和欧洲电工标准化委员会 (CENELEC) 规定的射频 (RF) 辐射暴露限制。

经许可而使用天线及其附件，可能会导致本产品的符合性无效，同时还可能会导致 RF 暴露超出对本设备作出的限制。

IH25 (900 MHz) Compliance Insert



For Users in English-Speaking Regions



Caution: This marking indicates that the user should read all included documentation before use.

Users of this product are cautioned to use accessories and peripherals approved by Honeywell. The use of accessories other than those recommended, or changes to this product that are not approved by Honeywell, may void the compliance of this product and may result in the loss of the user's authority to operate the equipment.

Battery, Charger, and Power Supply Information



Caution: For use with Honeywell battery pack Model BAT-EDA50 only. No user-serviceable parts. Charge only in or with Honeywell recommended models adapter or charger. Use of incorrect charger may present a risk of fire or explosion. Promptly dispose of used battery pack according to the instruction.



Caution: The battery pack used with this product may ignite, create a chemical burn hazard, explode, or release toxic materials if mistreated. Do not incinerate, disassemble, or heat above 100 °C (212 °F). Do not short circuit; may cause burns. Keep away from children.

Battery Recycling Information



This product contains or uses a lithium-ion (Li-ion) main battery. When the battery reaches the end of its useful life, the spent battery should be disposed of by a qualified recycler or hazardous materials handler. Do not mix this battery with the solid waste stream. Contact your Honeywell Technologies Service Center for recycling or disposal information.

Radiation Exposure Statement

Radio Wave Exposure and Specific Absorption Rate (SAR) Information



Warning: This equipment complies with International Commission on Non-Ionizing Radiation Protection (ICNIRP), IEEE C95.1, Federal Communications Commission Office of Engineering and Technology (OET) Bulletin 65, Canada RSS-102, and European Committee for Electrotechnical Standardization (CENELEC) limits for exposure to radio frequency (RF) radiation.

Use of antennas and accessories not authorized may void the compliance of this product and may result in RF exposures beyond the limits established for this equipment.

U.S.A. and Canada

U.S.A. Digital Emissions Compliance

This device complies with part 15 of the FCC Rules and with Industry Canada license-exempt RSS standards. Operation is subject to the following two conditions: (1) This device may not cause harmful interference, and (2) This device must accept any interference received, including interference that can cause undesired operation.

This equipment has been tested and found to comply with the limits for a Class B digital device, pursuant to Part 15 of the FCC Rules. These limits are designed to provide reasonable protection against harmful interference in a residential installation. This equipment generates, uses, and can radiate radio frequency energy and, if not installed and used in accordance with the instructions, may cause harmful interference to radio communications. However, there is no guarantee that interference will not occur in a particular installation. If this equipment does cause harmful interference to radio or television reception, which can be determined by turning the equipment off and on, the user is encouraged to try to correct the interference by one or more of the following measures:

- Reorient or relocate the radio or television receiving antenna.
- Increase the separation between the computer equipment and receiver.
- Connect the equipment into an outlet on a circuit different from that to which the radio or television receiver is connected.
- Consult the dealer or an experienced radio television technician for help.

Canadian Compliance

This device complies with Industry Canada license-exempt RSS standards. Operation is subject to the following two conditions: (1) this device may not cause harmful interference, and (2) this device must accept any interference received, including interference that may cause undesired operation.

CAN ICES-3 (B)/NMB-3(B)

Pour les utilisateurs canadiens



Mise en garde : Ce marquage indique que l'utilisateur doit, avant l'utilisation, lire toute la documentation incluse.

Les utilisateurs de ce produit sont avisés d'utiliser des accessoires et des périphériques approuvés par Honeywell. L'utilisation d'accessoires autres que ceux recommandés ou des changements à ce produit qui ne sont pas approuvés par Honeywell peuvent annuler la conformité de ce produit et mettre fin au droit qu'a l'utilisateur d'utiliser l'équipement.

Informations sur la batterie, le chargeur et le bloc d'alimentation



Mise en garde : Pour utilisation seulement avec bloc-batterie Honeywell modèle BAT-EDA50. Il ne contient aucune pièce réparable par l'utilisateur. Ne charger qu'avec les dispositifs modèles recommandés par Honeywell adaptateur ou chargeur. L'utilisation d'un mauvais chargeur pourrait constituer un risque d'incendie ou d'explosion. Mettre rapidement au rebut tout bloc-piles usé, conformément aux instructions.



Mise en garde : Ce bloc-piles peut prendre feu, constituer un risque de brûlure chimique, exploser ou dégager des substances toxiques s'il est manipulé de façon inappropriée. Ne pas jeter au feu, démonter ou chauffer à plus de 100 °C. Ne pas court-circuiter; cela pourrait causer des brûlures. Garder hors de la portée des enfants.

Informations pour le recyclage de la pile



Ce produit contient ou utilise une pile principale au lithium-ion (Li-ion). Lorsque la batterie atteint la fin de sa durée de vie utile, la batterie usées doivent être mises aux rebuts par un agent de recyclage ou un manipulateur de matériaux dangereux agréé. Il ne faut pas mélanger la batterie aux autres déchets solides. Pour plus d'informations sur le recyclage ou la mise aux rebuts, contacter votre centre de services Honeywell.

Énoncé sur l'exposition aux radiations

Information sur l'exposition aux ondes radioélectriques et sur le débit d'absorption spécifique (DAS)



Avertissement : Cet équipement est conforme à la Commission internationale de protection contre les rayonnements non ionisants (CIPRNI), à la norme IEEE C95.1, au bulletin 65 de l'OET (Federal Communications Commission Office of Engineering and Technology), à la norme Canada RSS-102 et aux limites Comité Européen de Normalisation Électrotechnique (CENELEC) d'exposition à des rayonnements radioélectriques.

L'utilisation d'antennes et d'accessoires non autorisés peut annuler la conformité de cet appareil et peut causer une exposition aux RF au-delà des limites établies pour cet équipement.

Conformité aux normes sur les émissions numériques

Ce périphérique est conforme aux normes RSS exemptes de licence d'Industrie Canada. L'utilisation est assujettie aux deux conditions suivantes : (1) Ce dispositif ne doit pas causer d'interférence dommageable et (2) Ce dispositif doit tolérer toute interférence, incluant l'interférence pouvant causer un fonctionnement indésirable.

CAN ICES-3 (B)/NMB-3 (B)

Para Usuários do Brasil (pt)



Cuidado: Esta identificação indica que o usuário deve ler toda a documentação fornecida antes do uso.

Os usuários deste produto devem usar acessórios e periféricos aprovados pela Honeywell. Usar acessórios não recomendados, ou fazer alterações neste produto não aprovadas pela Honeywell, poderá anular a conformidade deste produto e resultar na perda da permissão do usuário de utilizar o equipamento.

Informações sobre a bateria, carregador e fonte de alimentação



Cuidado: Para uso apenas com a bateria modelo BAT-EDA50 da Honeywell. Este equipamento não contém peças que possam ser reparadas pelo usuário.

Carregar apenas com os modelos de carregadores da adaptador ou carregador de modelos recomendado pela Honeywell. O uso de um carregador incorreto pode gerar risco de incêndio ou explosão. Descartar imediatamente as baterias usadas segundo as instruções fornecidas.



Cuidado: A bateria utilizada neste dispositivo pode pegar fogo, criar risco de queimadura química, explodir ou exalar materiais tóxicos se abusada. Não incinerar, desmontar nem aquecer a bateria a mais de 100 °C. Não provocar curto-circuito, pois pode causar queimaduras. Manter afastada de crianças.

Informações de Reciclagem de Bateria



Este produto contém ou usa uma bateria principal de íon de lítio (Li-ion). Quando a bateria chega ao fim da sua vida útil, deve ser descartada por um profissional de reciclagem qualificado ou por um especialista no manuseio de materiais perigosos.

Não misture a bateria com fluxo de lixo sólido. Entre em contato com seu Centro de Serviços de Tecnologia Honeywell para informações de reciclagem ou descarte.

Declaração de exposição à radiação

Informações sobre Exposição às Ondas de Rádio e Taxa de Absorção Específica (SAR)



Atenção: Este equipamento atende aos limites de exposição a radiação de radiofrequência (RF) do International Commission on Non-Ionizing Radiation Protection (ICNIRP), IEEE C95.1, Federal Communications Commission Office of Engineering and Technology (OET) Boletim 65, Canada RSS-102 e European Committee for Electrotechnical Standardization (CENELEC).

O uso de antenas e acessórios não autorizados pode anular a conformidade deste produto e resultar em exposição a níveis de radiofrequência superiores aos limites estabelecidos para este equipamento.

适用于中国用户 (zh-cn)



注意：该标志表明，用户应在使用前阅读所有随附的文档。

敬告本产品的用户，请务必使用 Honeywell 许可的附件和外围设备。如果使用推荐附件之外的其它附件，或未经 Honeywell 许可而擅自改装本产品，都可能会使本产品的符合性无效，并可能会导致用户失去操作本设备的权利。

电池、充电器和电源信息



注意：仅供与 Honeywell BAT-EDA50. 型电池组配合使用。没有可供用户维修的零部件。

请仅使用型号为 Honeywell 推荐使用的电源适配器或充电器。使用充电器错误可能引起火灾或爆炸。请根据说明及时处理用过的电池包。



注意：该装置中所使用的电池包可能着火、造成化学燃烧危险、爆炸，而且如果处理不当会释放有毒物质。请勿烧毁、分解电池，或者加热到 100 摄氏度以上。请勿使电池短路，以免引起火灾。请不要让儿童接触到电池。

电池回收信息



本产品包含或使用一块锂离子主电池。电池达到使用寿命后，请交由合格的回收者或危险材料处理者进行处理。请勿将使用后的电池混同其他固体废弃物处理。请联系 Honeywell 技术服务中心了解有关回收或处理的信息。

适用于中国用户

产品中有毒物质的名称及含量

部件名称 (Parts Name)	产品中有毒物质的名称及含量 Names and content of Hazardous Substances in the Product 有毒物质 Hazardous substance					
	铅 (Pb)	汞 (Hg)	镉 (Cd)	六价铬 (Cr ⁶⁺)	多溴联苯 (PBB)	多溴二苯醚 (PBDE)
电路板上的陶瓷元件和黄铜接头	X	O	O	O	O	O
塑料盖板上的黄铜嵌件	X	O	O	O	O	O

本表格依据 SJ/T 11364 的规定编制。(This table is created in accordance to SJ/T 11364)
O: 表示该有毒物质在该部件所有均质材料中的含量均在 GB/T 26572 标准规定的限量要求以下。(Indicates that this hazardous substance contained in all of the homogeneous materials for this part is below the limit requirement in China's GB/T26572)
X: 表示该有毒物质至少在该部件的某一均质材料中的含量超出 GB/T 26572 标准规定的限量要求。(Indicates that this hazardous substance contained in at least one of the homogeneous materials for this part is above the limit requirement in China's GB/T26572)

Free Manuals Download Website

<http://myh66.com>

<http://usermanuals.us>

<http://www.somanuals.com>

<http://www.4manuals.cc>

<http://www.manual-lib.com>

<http://www.404manual.com>

<http://www.luxmanual.com>

<http://aubethermostatmanual.com>

Golf course search by state

<http://golfingnear.com>

Email search by domain

<http://emailbydomain.com>

Auto manuals search

<http://auto.somanuals.com>

TV manuals search

<http://tv.somanuals.com>