

Performance Series HQA HD30HD2 1080p Indoor/Outdoor IR Ball Camera

Quick Installation Guide

Document 800-19477V1 – Rev B – 05/2016

Thank you for purchasing a Honeywell Performance Series HQA HD30HD2 camera. Follow the instructions in this guide to install and set up your camera.

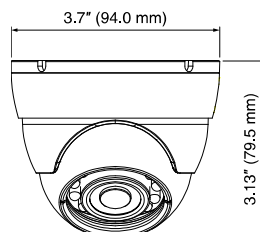
Cautions and Warnings

- ⚠ WARNING** This device is configured for 12 V DC operation. Do not connect to a higher voltage. Use only with NRTL-approved Class 2 power supplies.
- ⚠ WARNING** IR emitted from this product. Do not view directly with optical instruments. Do not stare directly into the lamp at a distance of less than 3.3 ft (1 m).
- CAUTION** Class 1 LED product. Invisible LED radiation (850 nm). Avoid exposure to beam.

Important Safeguards

- Read and keep these instructions.
- Do not aim the camera toward a bright light source for extended periods to prevent damage to the imager. Avoid operating the unit under or close to unstable light sources or close to fluorescent lamps or objects reflecting light.
- Do not touch the camera lens.
- Do not drop the camera or subject it to physical shock.
- Do not use a strong or abrasive detergent when cleaning the camera.
- Avoid operating or storing the unit in extremely humid, dusty, or environments where the operating temperature is outside the recommended range of -22°F to 140°F (-30°C to 60°C).

Dimensions



Before You Begin

Before you begin, check that you have received all of the parts listed below. If any parts are missing or damaged, contact your dealer immediately.

- Camera
- Quick Installation Guide
- Mounting template sticker
- Allen key (L-wrench)
- Self-tapping screws (4)
- Plastic anchors (4)
- Power pigtail

Tools needed (not supplied):

- Cordless drill
- Phillips screwdriver

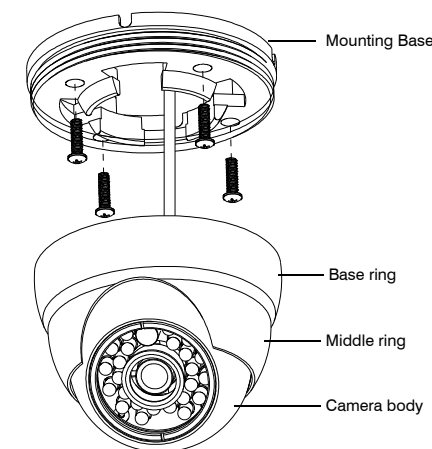
1 Preparing the Mounting Surface

1. Inspect the site where you want to install the camera. The mounting surface must be flat and capable of supporting at least three times the weight of the camera.
2. Remove the backing from the mounting template sticker and affix the sticker to the mounting surface.
3. Drill the screw holes and cable exit hole at the locations indicated on the mounting template sticker.
4. Insert the four supplied plastic anchors in the holes.
5. Pull the power and video cables through the hole.

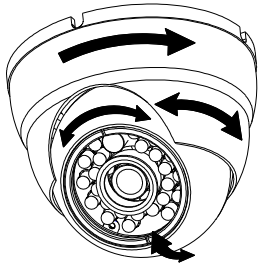
2 Mounting the Camera

1. Remove the mounting base from the camera.
 - a. Loosen the two set screws on the base ring.
 - b. Unscrew the base ring from the mounting base.
2. Attach the mounting base to the mounting surface using the supplied screws.
3. Connect the power and video cables.
 - a. Connect the power connector of the camera to a 12 V DC power source.
 - b. Connect the BNC connector of the camera to a coaxial video cable.

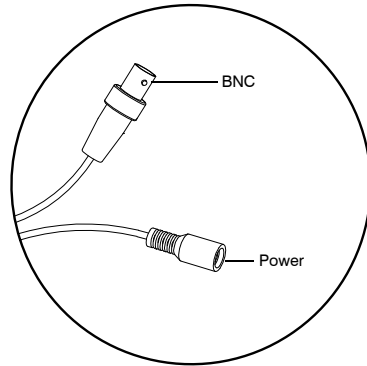
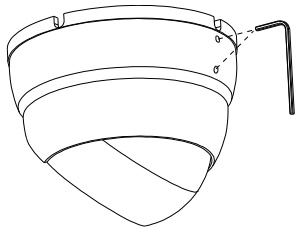
Note This camera can transfer HD or SD signals automatically according to the capability of the connected recorder.



- Rotate the middle ring and camera body to set the camera position.



- Tighten the base ring to lock the camera position, and then tighten the two set screws.



3 Configuring the Camera at the DVR

- Connect the camera to a Honeywell Performance Series HQA DVR.
- Log on to the DVR as admin user. The default user name is **admin** (case-sensitive) and the default password is **1234**.
- Right-click to display the shortcut menu, and then click **Camera Menu**. A dedicated menu operation interface appears.
- Click **Enter** to display the camera's OSD menu.
- To configure the camera, click the up or down arrows to move through the menu list, click the left or right arrows to change a menu setting, or click **Enter** to enter a submenu (↵) or execute a command.
- After you have configured the camera, right-click to exit the menu operation interface.

Regulatory Statements

FCC Compliance

Information to the User This equipment has been tested and found to comply with the limits for a Class B digital device, pursuant to part 15 of the FCC Rules. These limits are designed to provide reasonable protection against harmful interference in a residential installation. This equipment generates, uses and can radiate radio frequency energy and, if not installed and used in accordance with the instructions, may cause harmful interference to radio communications. However, there is no guarantee that interference will not occur in a particular installation. If this equipment does cause harmful interference to radio or television reception, which can be determined by turning the equipment off and on, the user is encouraged to try to correct the interference by one or more of the following measures:

- Reorient or relocate the receiving antenna.
- Increase the separation between the equipment and receiver.
- Connect the equipment into an outlet on a circuit different from that to which the receiver is connected.
- Consult the dealer or an experienced radio/TV technician for help.

Note Changes or modifications not expressly approved by the party responsible for compliance could void the user's authority to operate the equipment.

Canadian Compliance

This Class B digital apparatus complies with Canadian ICES-003.
Cet appareil numérique de la Classe B est conforme à la norme NMB-003 du Canada.

Manufacturer's Declaration of Conformance

North America The equipment supplied with this guide conforms to UL 60950-1 and CSA C22.2 No. 60950-1.

Europe The manufacturer declares that the equipment supplied is compliant with the European Parliament and Council Directive on the restriction of the use of certain hazardous substances in electrical and electronic equipment (2011/65/EU) and the essential requirements of the EMC directive (2014/30/EU), conforming to the requirements of standards EN 55022 for emissions, EN 50130-4 for immunity, and EN 60950-1 for electrical equipment safety.

This is a Class B product. In a domestic environment this product may cause radio interference in which case the user may be required to take adequate measures.



WEEE (Waste Electrical and Electronic Equipment). Correct disposal of this product (applicable in the European Union and other European countries with separate collection systems). This product should be disposed of, at the end of its useful life, as per applicable local laws, regulations, and procedures

Honeywell

www.honeywell.com/security
+1 800 323 4576 (North America only)

<https://www.honeywellsystems.com/ss/techsupp/index.html>

Document 800-19477V1 – Rev B – 05/2016

Free Manuals Download Website

<http://myh66.com>

<http://usermanuals.us>

<http://www.somanuals.com>

<http://www.4manuals.cc>

<http://www.manual-lib.com>

<http://www.404manual.com>

<http://www.luxmanual.com>

<http://aubethermostatmanual.com>

Golf course search by state

<http://golfingnear.com>

Email search by domain

<http://emailbydomain.com>

Auto manuals search

<http://auto.somanuals.com>

TV manuals search

<http://tv.somanuals.com>