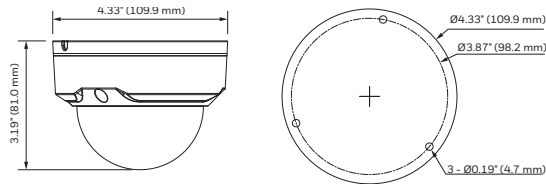


## Performance Series HQA HD72HD4 4 MP IR Mini Dome Camera



### Quick Installation Guide

Document 800-22733 – Rev A – 11/2016

Thank you for purchasing a Honeywell Performance Series HQA HD72HD4 camera. Follow the instructions in this guide to install and set up your camera.

### Cautions and Warnings

	<b>CAUTION</b> RISK OF ELECTRIC SHOCK DO NOT OPEN		THIS SYMBOL INDICATES THAT DANGEROUS VOLTAGE CONSTITUTING A RISK OF ELECTRIC SHOCK IS PRESENT WITHIN THE UNIT.
CAUTION: TO REDUCE THE RISK OF ELECTRIC SHOCK, DO NOT REMOVE THE COVER. NO USER-SERVICEABLE PARTS INSIDE. REFER SERVICING TO QUALIFIED SERVICE PERSONNEL.			THIS SYMBOL INDICATES THAT IMPORTANT OPERATING AND MAINTENANCE INSTRUCTIONS ACCOMPANY THIS UNIT.

**WARNING** This device is configured for 12 V DC operation. Do not connect to a higher voltage. Use only with NRTL-approved Class 2 power supplies.

**WARNING** IR emitted from this product. Do not view directly with optical instruments. Do not stare directly into the lamp at a distance of less than 3.3 ft (1 m).

**CAUTION** Class 1 LED product. Invisible LED radiation (850 nm). Avoid exposure to beam.

### Important Safeguards

- Read and keep these instructions.
- Do not aim the camera toward a bright light source for extended periods to prevent damage to the imager. Avoid operating the unit under or close to unstable light sources or close to fluorescent lamps or objects reflecting light.
- Do not touch the camera lens.
- Do not drop the camera or subject it to physical shock.
- Do not use a strong or abrasive detergent when cleaning the camera.
- Avoid operating or storing the unit in extremely humid, dusty, or environments where the operating temperature is outside the recommended range of -22°F to 140°F (-30°C to 60°C).

### Before You Begin

Before you begin, check that you have received all of the parts listed below. If any parts are missing or damaged, contact your dealer immediately.

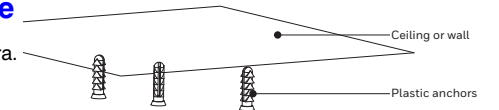
- Camera
- Quick Installation Guide
- Mounting template sticker
- Self-tapping screws (3)
- Plastic anchors (3)
- Power pigtail
- Allen key (L-wrench)

Tools needed (not supplied):

- Cordless drill
- Phillips screwdriver

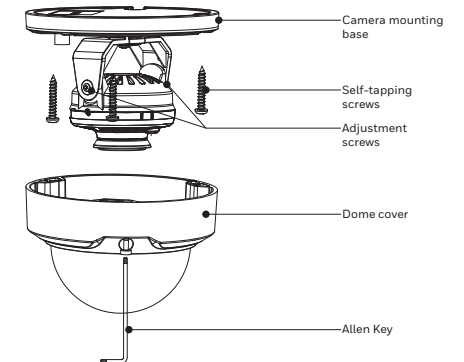
### 1 Preparing the Mounting Surface

1. Inspect the site where you want to install the camera. The mounting surface must be flat and capable of supporting at least three times the weight of the camera.
2. Remove the backing from the mounting template sticker and affix the sticker to the mounting surface.
3. Drill the screw holes and cable exit hole at the locations indicated on the mounting template sticker.
4. Insert the three supplied plastic anchors in the holes.
5. Pull the power and video cables through the hole.

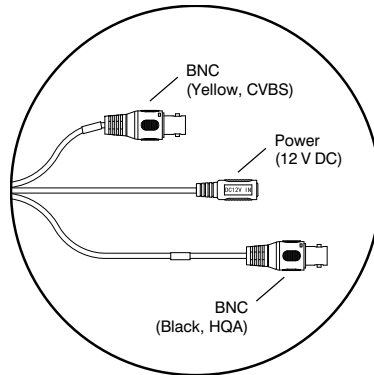


### 2 Mounting the Camera

1. Use the supplied Allen key to remove the dome cover from the camera assembly, then set it aside.
2. Connect the camera's power and video cables.



- a. Connect the power connector to a 12 V DC power source.
- b. Do one of the following:
  - Connect the black BNC connector to a coaxial video cable to get an HD (HQA) signal.
  - Connect the yellow BNC connector to a coaxial video cable to get an SD (CVBS) signal.
  - Connect both BNC connectors to get both HD and SD signals.
3. Attach the camera assembly to the mounting surface using the supplied screws.



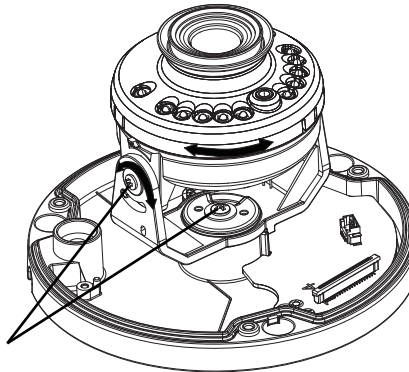
### 3 Aiming the Camera

1. Position the camera lens in the desired position.
2. Tighten the adjustment screws to lock the camera lens in place.
3. Attach the dome cover to the camera, and remove the protective film from the bubble.

### 4 Configuring the Camera at the DVR

1. Connect the camera to a Honeywell Performance Series HQA DVR.
2. Log on to the DVR as admin user. The default user name is **admin** (case-sensitive) and the default password is **1234**.
3. Right-click to display the shortcut menu, and then click **Camera Menu**. A dedicated menu operation interface appears.
4. Click **Enter** to display the camera's OSD menu.
5. To configure the camera, click the up or down arrows to move through the menu list, click the left or right arrows to change a menu setting, or click **Enter** to enter a submenu (←) or execute a command.
6. After you have configured the camera, right-click to exit the menu operation interface.

Adjustment screws



guarantee that interference will not occur in a particular installation. If this equipment does cause harmful interference to radio or television reception, which can be determined by turning the equipment off and on, the user is encouraged to try to correct the interference by one or more of the following measures:

- Reorient or relocate the receiving antenna.
- Increase the separation between the equipment and receiver.
- Connect the equipment into an outlet on a circuit different from that to which the receiver is connected.
- Consult the dealer or an experienced radio/TV technician for help.

**Note** Changes or modifications not expressly approved by the party responsible for compliance could void the user's authority to operate the equipment.

### Canadian Compliance

This Class B digital apparatus complies with Canadian ICES-003.  
Cet appareil numérique de la Classe B est conforme à la norme NMB-003 du Canada.

### Recommended Recorders

<b>HRHT4041</b>	4-channel, 4 MP, 60 fps HQA or 1080p, 120 fps HQA/SD/IP DVR, 1 SATA, 1 TB
<b>HRHT4042</b>	4-channel, 4 MP, 60 fps HQA or 1080p, 120 fps HQA/SD/IP DVR, 1 SATA, 2 TB
<b>HRHT4082</b>	8-channel, 4 MP, 120 fps HQA or 1080p, 120 fps HQA/SD/IP DVR, 2 SATA, 2 TB
<b>HRHT4084</b>	8-channel, 4 MP, 120 fps HQA or 1080p, 120 fps HQA/SD/IP DVR, 2 SATA, 4 TB
<b>HRHT4162</b>	16-channel, 4 MP, 240 fps HQA or 1080p, 120 fps HQA/SD/IP DVR, 2 SATA, 2 TB
<b>HRHT4164</b>	16-channel, 4 MP, 240 fps HQA or 1080p, 120 fps HQA/SD/IP DVR, 2 SATA, 4 TB
<b>HRHT4166</b>	16-channel, 4 MP, 240 fps HQA or 1080p, 120 fps HQA/SD/IP DVR, 2 SATA, 6 TB
<b>HRHT41612</b>	16-channel, 4 MP, 240 fps HQA or 1080p, 120 fps HQA/SD/IP DVR, 2 SATA, 12 TB
<b>HRHQ1041</b>	4-channel, 1 SATA, 720p@120 fps or 1080p@60 fps, HQA/AHD/TWI/SD/IP, alarm I/O, 1 TB
<b>HRHQ1081</b>	8-channel, 2 SATA, 720p@240 fps or 1080p@120 fps, HQA/AHD/TWI/SD/IP, alarm I/O, 1 TB
<b>HRHQ1161</b>	16-channel, 2 SATA, 720p@480 fps or 1080p@2400 fps, HQA/AHD/TWI/SD/IP, alarm I/O, 1 TB
<b>HRHQ1162</b>	16-channel, 2 SATA, 720p@4800 fps or 1080p@240 fps, HQA/AHD/TWI/SD/IP, alarm I/O, 2 TB

## Regulatory Statements

### FCC Compliance

**Information to the User** This equipment has been tested and found to comply with the limits for a Class B digital device, pursuant to part 15 of the FCC Rules. These limits are designed to provide reasonable protection against harmful interference in a residential installation. This equipment generates, uses and can radiate radio frequency energy and, if not installed and used in accordance with the instructions, may cause harmful interference to radio communications. However, there is no

# Honeywell

[www.honeywell.com/security](http://www.honeywell.com/security)

+1 800 323 4576 (North America only)

<https://www.honeywellsystems.com/ss/techsupp/index.html>

Document 800-22733 – Rev A – 11/2016

## Free Manuals Download Website

<http://myh66.com>

<http://usermanuals.us>

<http://www.somanuals.com>

<http://www.4manuals.cc>

<http://www.manual-lib.com>

<http://www.404manual.com>

<http://www.luxmanual.com>

<http://aubethermostatmanual.com>

Golf course search by state

<http://golfingnear.com>

Email search by domain

<http://emailbydomain.com>

Auto manuals search

<http://auto.somanuals.com>

TV manuals search

<http://tv.somanuals.com>