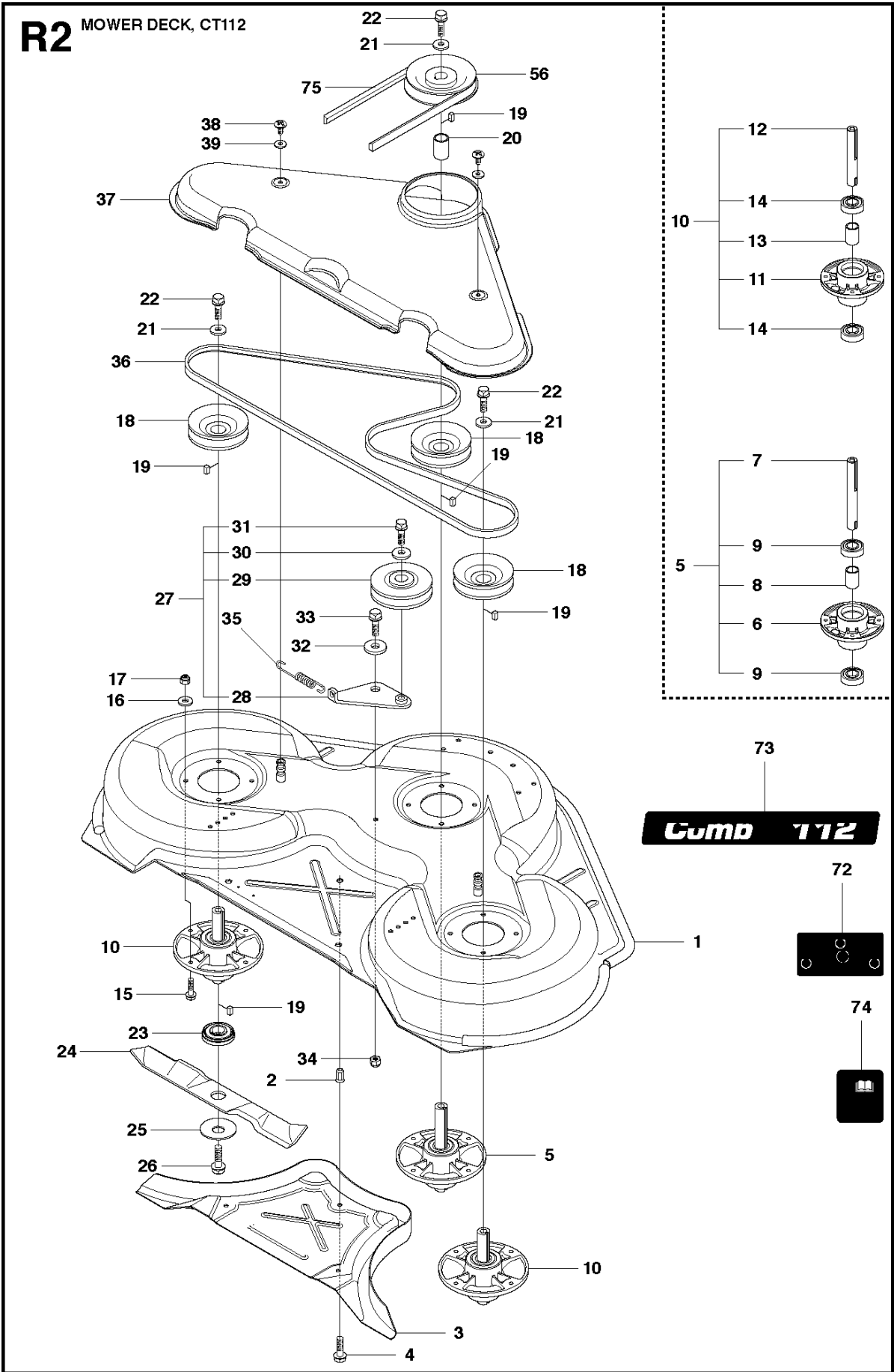




SPARE PARTS LIST

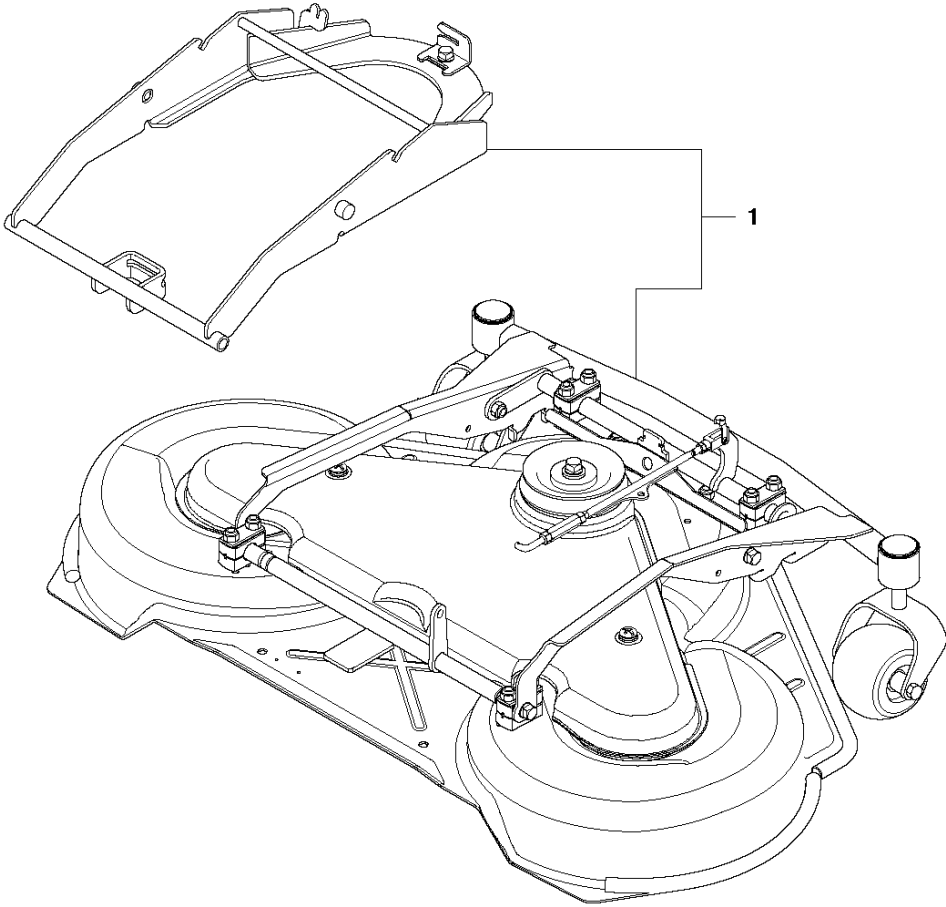
RIDERS

P524, 966607201, 2011



Ref	Part No	Description	Remark	QTY	KIT
1	504 56 99-01	DECK SHELL ASSY		1	
2	506 91 62-01	BLIND RIVET NUT		1	
3	544 44 93-01	PLUG		1	
4	506 57 01-04	SCREW EHHFM		1	
5	535 50 35-01	KNIFE BEARING		1	
6	544 06 78-01	BEARING HOUSING		1	5
7	535 42 87-01	SHAFT		1	5
8	535 42 88-01	SPACER		1	5
9	738 22 05-19	BALL BEARING		2	5
10	535 50 35-02	KNIFE BEARING		2	
11	544 06 78-01	BEARING HOUSING		1	10
12	535 42 87-02	SHAFT		1	10
13	535 42 88-01	SPACER		1	10
14	738 22 05-19	BALL BEARING		2	10
15	535 42 38-01	SCREW RSQM		12	
16	734 11 64-01	WASHER		12	
17	732 21 18-01	LOCK NUT		12	
18	535 42 90-01	PULLEY		4	
19	506 53 35-01	PARALLEL KEY		7	
20	535 42 88-01	SPACER		1	
21	535 42 92-01	WASHER		3	
22	725 25 42-51	SCREW EHHM		3	
23	535 50 42-01	BLADE BRACKET		3	
24	544 10 27-01	BLADE		3	
25	506 79 23-02	KNIFE PLATE		3	
26	725 25 42-51	SCREW EHHM		3	
27	506 54 07-01	BELT TENSIONER ASSY		1	
28	506 51 95-01	SPÄNNARM KPL.		1	27
29	506 53 27-01	PULLEY		1	27
30	734 11 64-41	WASHER		1	27
31	506 55 83-02	SCREW EHHFT		1	27
32	506 91 87-02	WASHER		1	
33	725 24 51-71	SCREW EHHM		1	
34	732 21 18-01	LOCK NUT		1	
35	506 53 31-01	SPRING		1	
36	544 11 33-01	BELT		1	
37	544 09 62-01	BELT COVER		1	
38	506 98 26-01	SCREW		2	
39	506 55 97-01	WASHER		2	
56	544 25 56-01	PULLEY		1	
72	506 78 97-01	LABEL		1	
73	544 23 81-12	LABEL		1	
74	506 92 90-01	LABEL		1	
75	577 00 30-02	BELT		1	

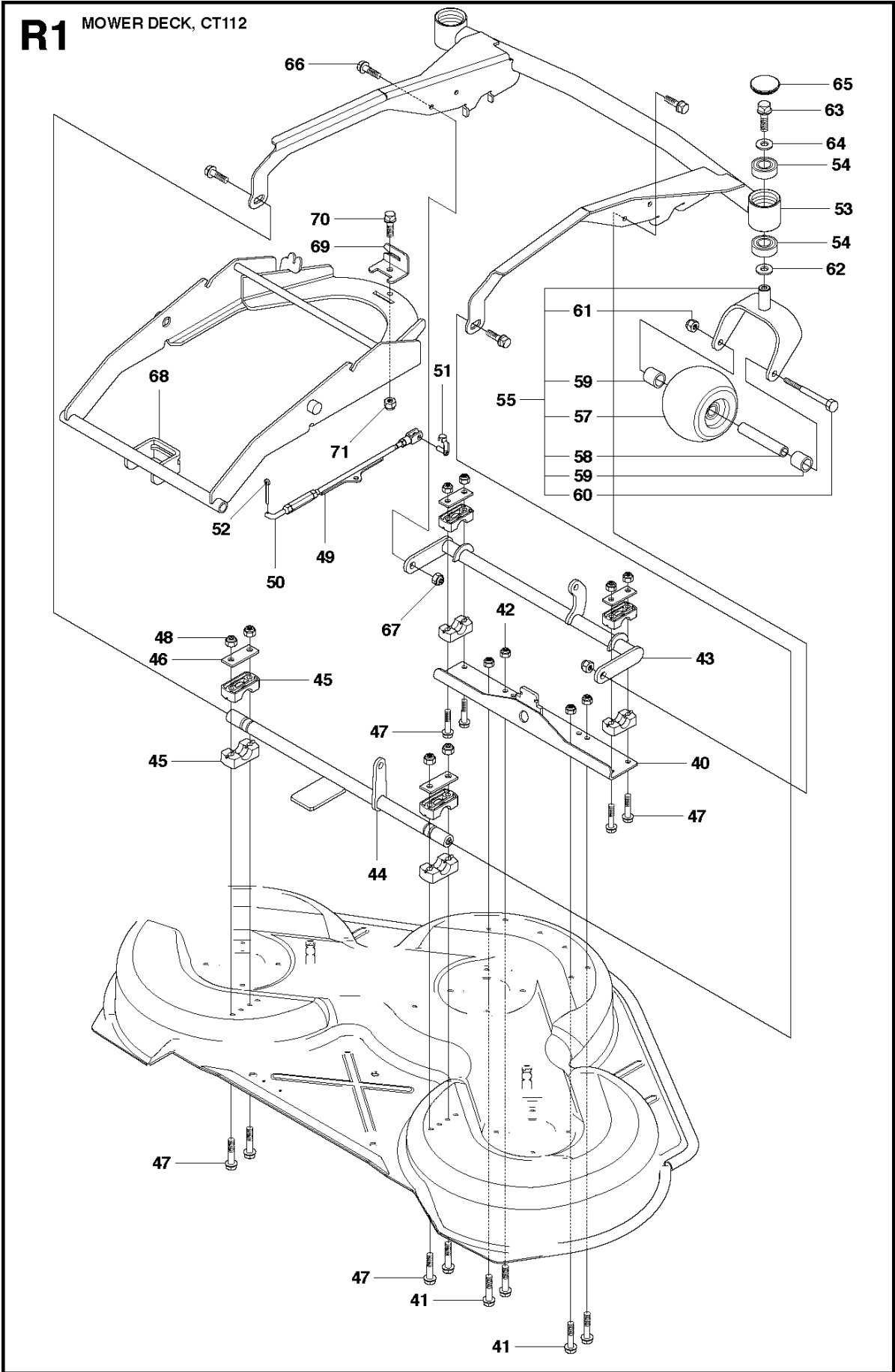
P MOWER DECK, CT112



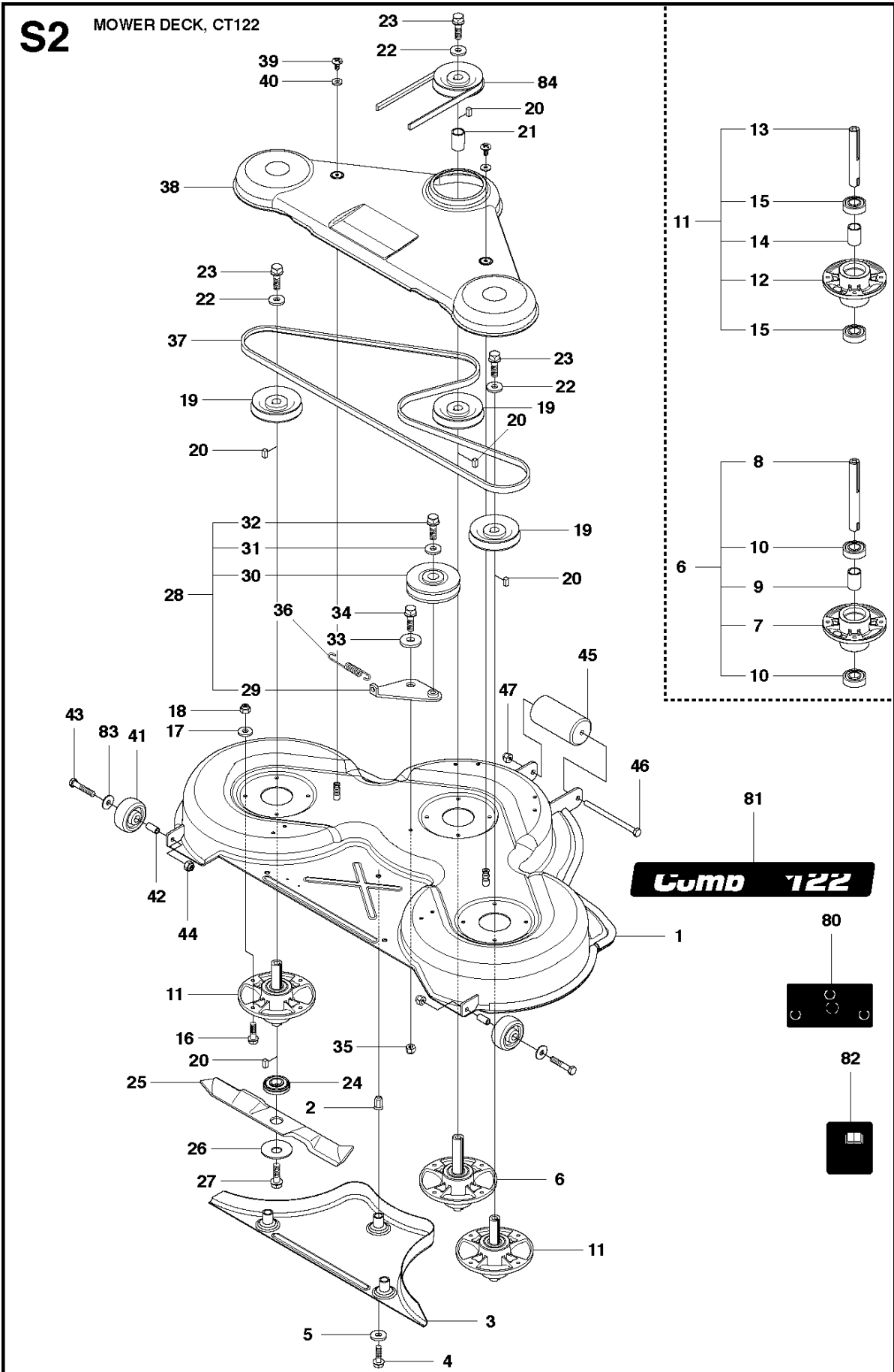
44"/112CM CUTTING DECK

P524, 966607201, 2011

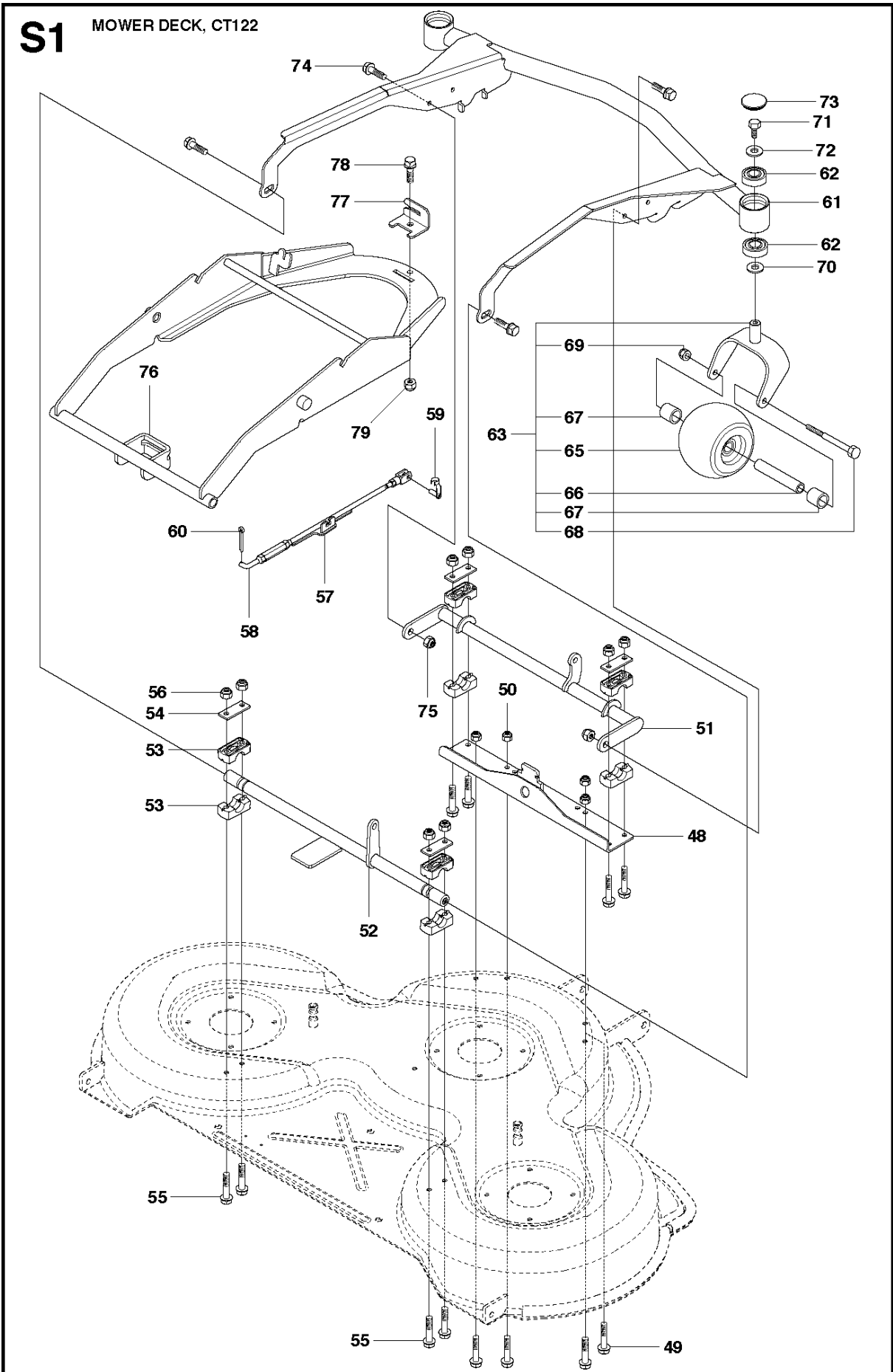
Ref	Part No	Description	Remark	QTY KIT
1	966 75 50-01	CUTTING DECK		1



Ref	Part No	Description	Remark	QTY	KIT
40	502 64 21-02	BRACKET		1	
41	725 24 51-71	SCREW EHHM		4	
42	732 21 18-01	LOCK NUT		4	
43	502 64 18-02	CROSS BAR		1	
44	502 64 19-02	CROSS BAR		1	
45	506 86 96-01	BEARING		8	
46	506 81 38-01	REINFORCING PLATE		4	
47	725 24 61-51	SCREW EHHM		8	
48	732 21 18-01	LOCK NUT		8	
49	577 84 29-02	PARALLEL ROD ASSY		1	
50	502 64 23-01	PARALLEL ROD		1	
51	506 83 98-03	BOLT		1	
52	721 61 83-01	SPLIT PIN		1	
53	502 64 20-02	DECK FRAME		1	
54	738 21 04-04	BALL BEARING		4	
55	535 50 59-01	PIVOTHJUL		2	
67	732 21 18-01	LOCK NUT		2	
71	732 21 18-01	LOCK NUT		1	
60	725 25 19-51	SCREW EHHM		1	55
59	506 87 41-02	SPACER		2	55
58	506 81 08-02	WHEEL AXLE TUBE		1	55
57	506 96 30-01	WHEEL ASSY		1	55
61	732 21 20-51	NUT		1	55
62	506 50 48-05	WASHER		2	
63	506 57 01-04	SCREW EHHFM		2	
64	734 11 64-41	WASHER		2	
65	544 01 70-01	HUB CAP		2	
66	506 59 74-01	SCREW EHHFM		4	
67	732 21 18-01	LOCK NUT		2	
68	502 63 95-01	DECK ATTACHMENT		1	
69	502 64 24-01	LOCK		1	
70	725 24 51-71	SCREW EHHM		1	

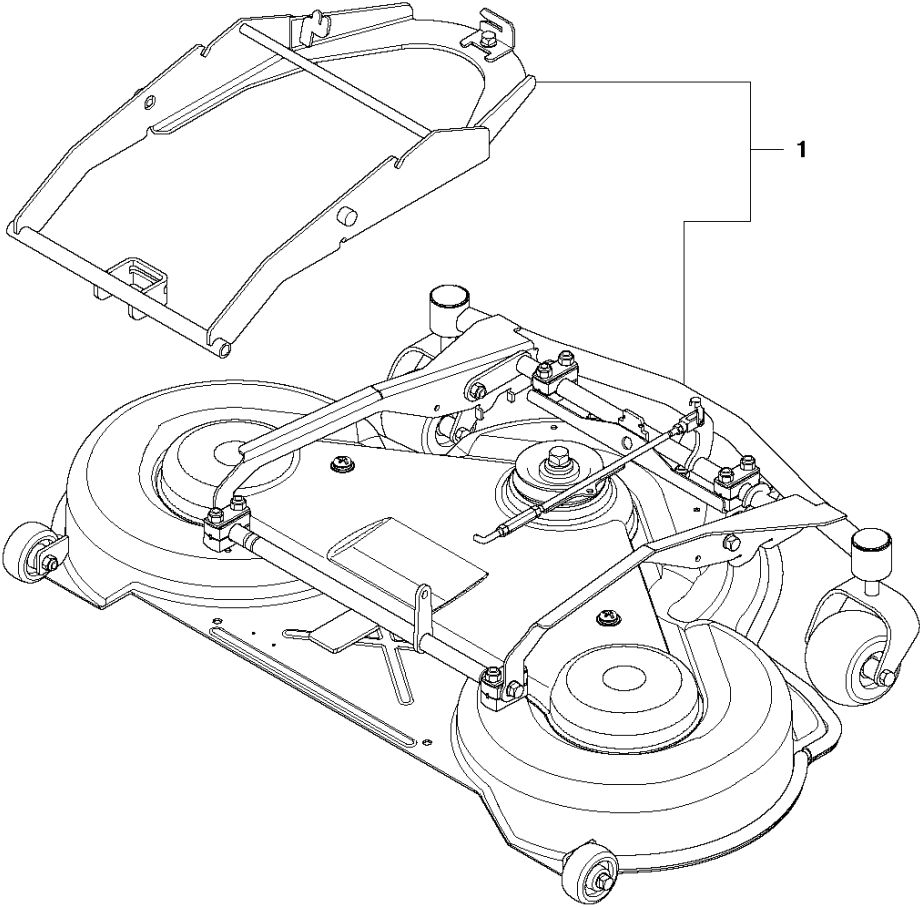


Ref	Part No	Description	Remark	QTY	KIT
1	522 50 56-01	CUTTING DECK KIT		1	
2	506 91 62-01	BLIND RIVET NUT		3	
3	535 42 83-02	PLUG ASSY		1	
4	725 24 60-51	SCREW EHHM		3	
5	734 11 64-01	WASHER		3	
6	535 42 86-01	BLADE HOUSING ASSY		1	
7	535 42 89-01	BEARING HOUSING		1	6
8	535 42 87-01	SHAFT		1	6
9	535 42 88-01	SPACER		1	6
10	738 22 05-19	BALL BEARING		2	6
11	535 42 86-02	BLADE HOUSING ASSY		2	
12	535 42 89-01	BEARING HOUSING		1	11
13	535 42 87-02	SHAFT		1	11
14	535 42 88-01	SPACER		1	11
15	738 22 05-19	BALL BEARING		2	11
16	535 42 38-01	SCREW RSQM		12	
17	734 11 64-01	WASHER		12	
18	732 21 18-01	LOCK NUT		12	
19	535 42 90-01	PULLEY		3	
20	506 53 35-01	PARALLEL KEY		7	
21	535 42 88-01	SPACER		1	
22	535 42 92-01	WASHER		3	
23	725 25 42-51	SCREW EHHM		3	
24	535 50 42-01	BLADE BRACKET		3	
25	535 42 94-01	RIDE ON BLADE		3	
26	506 79 23-02	KNIFE PLATE		3	
27	725 25 42-51	SCREW EHHM		3	
28	506 54 07-01	BELT TENSIONER ASSY		1	
29	506 51 95-01	SPÄNNARM KPL.		1	28
30	506 53 27-01	PULLEY		1	28
31	734 11 64-41	WASHER		1	28
32	506 55 83-02	SCREW EHHFT		1	28
33	506 91 87-02	WASHER		1	
34	725 24 51-71	SCREW EHHM		1	
35	732 21 18-01	LOCK NUT		1	
36	506 53 31-01	SPRING		1	
37	535 42 95-01	BELT		1	
38	535 42 96-02	BELT COVER		1	
39	506 98 26-01	SCREW		2	
40	506 55 97-01	WASHER		2	
41	505 44 16-01	WHEEL		2	
42	505 45 03-01	TUBE		2	
43	725 25 02-71	SCREW EHHM		2	
44	732 21 20-01	NUT		2	
45	544 18 54-01	ROLLER		1	
46	544 22 10-01	SCREW EHHM		1	
47	732 21 22-01	NUT		1	
80	506 78 97-01	LABEL		4	
81	544 23 81-13	LABEL		4	
82	506 92 90-01	LABEL		1	
83	734 11 74-41	WASHER		8	
84	544 25 56-01	PULLEY		1	



Ref	Part No	Description	Remark	QTY	KIT
56	732 21 18-01	LOCK NUT		8	
57	577 84 29-01	PARALLEL ROD ASSY		1	
58	502 64 23-01	PARALLEL ROD		1	
59	506 83 98-03	BOLT		1	
60	721 61 83-01	SPLIT PIN		1	
61	584 46 86-01	DECK FRAME		1	
62	738 21 04-04	BALL BEARING		4	
63	535 50 59-01	PIVOTHJUL		2	
65	506 96 30-01	WHEEL ASSY		1	63
66	506 81 08-02	WHEEL AXLE TUBE		1	63
67	506 87 41-02	SPACER		2	63
68	725 25 19-51	SCREW EHHM		1	63
69	732 21 20-51	NUT		1	63
70	506 50 48-05	WASHER		2	
71	506 57 01-04	SCREW EHHFM		2	
72	734 11 64-41	WASHER		2	
73	544 01 70-01	HUB CAP		2	
74	506 59 74-01	SCREW EHHFM		4	
75	732 21 18-01	LOCK NUT		2	
76	502 63 95-02	DECK ATTACHMENT		1	
77	502 64 24-01	LOCK		1	
78	725 24 51-71	SCREW EHHM		1	
79	732 21 18-01	LOCK NUT		1	
50	732 21 18-01	LOCK NUT		4	
51	502 64 18-03	CROSS BAR		1	
52	502 64 19-03	CROSS BAR		1	
53	506 86 96-01	BEARING		8	
54	506 81 38-01	REINFORCING PLATE		4	
55	725 24 61-51	SCREW EHHM		8	
48	581 91 56-01	BRACKET		1	
49	725 24 51-71	SCREW EHHM		4	

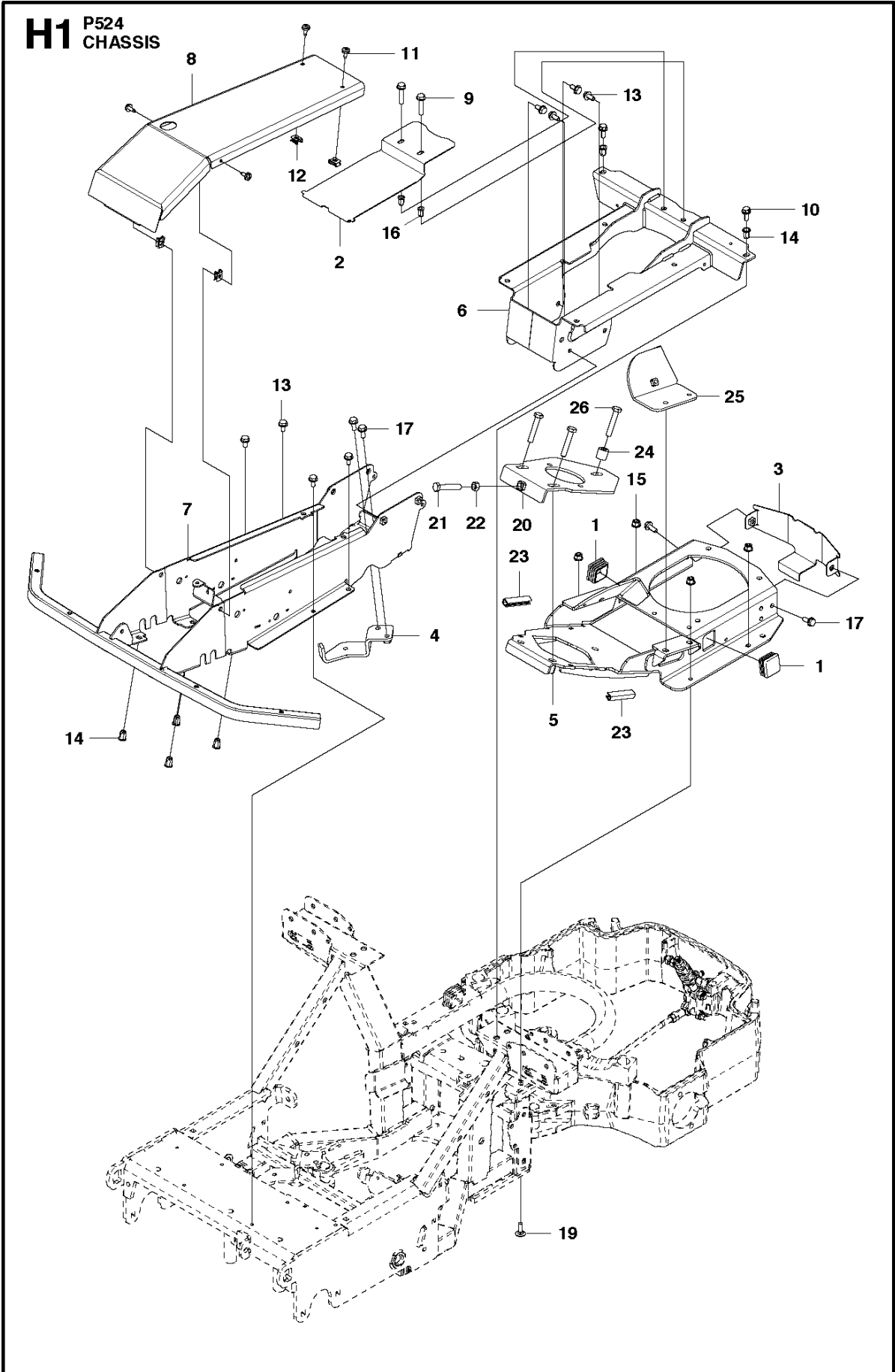
Q MOWER DECK, CT122



48"/122CM CUTTING DECK

P524, 966607201, 2011

Ref	Part No	Description	Remark	QTY KIT
1	966 72 75-01	CUTTING DECK		1



CHASSIS & ENCLOSURES

P524, 966607201, 2011

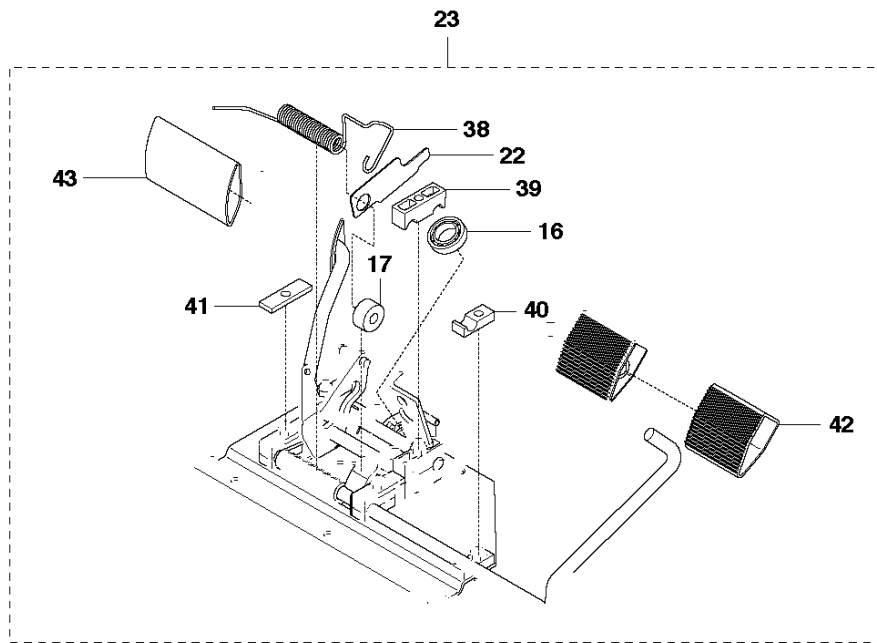
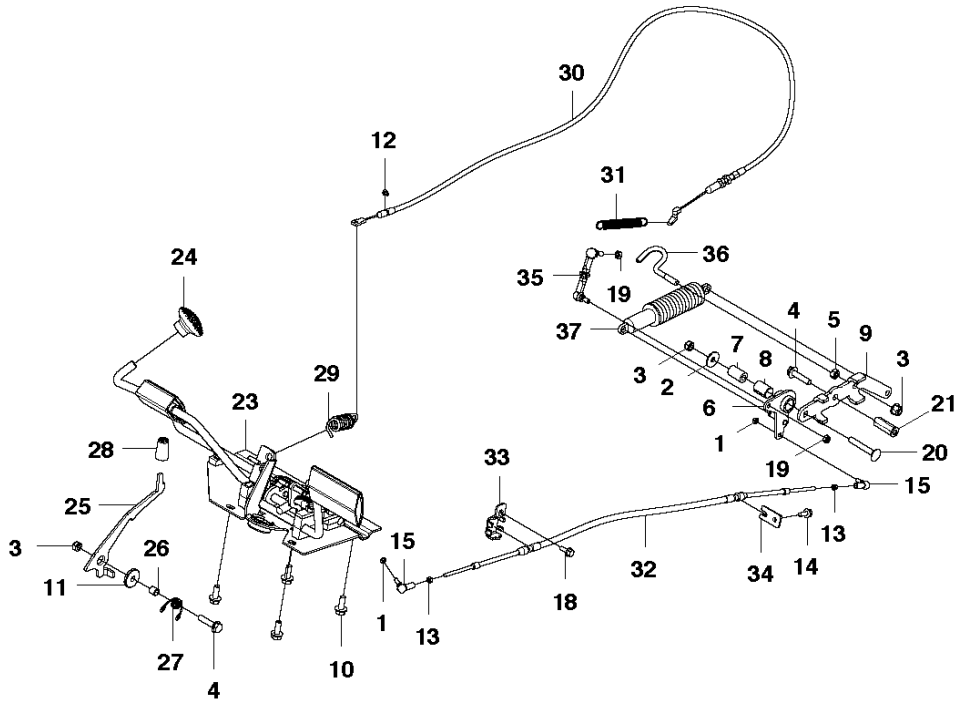
Ref	Part No	Description	Remark	QTY KIT
1	544 25 41-01	PLUG		2
2	577 24 01-01	COVER PLATE		1
3	577 39 04-01	PROTECTIVE PLATE		1
4	577 20 85-01	BRACKET		1
5	576 77 98-01	FRAME		1
6	576 79 27-01	FRAME		1
7	576 78 90-01	CONSOLE		1
8	576 79 16-01	SHEET		1
9	574 85 62-02	SCREW		2
10	506 57 01-05	SCREW EHHFM		2
11	574 85 62-02	SCREW		4
12	535 42 91-01	SPRING NUT		4
13	506 57 01-03	SCREW EHHFM		4
14	506 91 62-01	BLIND RIVET NUT		6
15	576 64 57-04	NUT FLANGE		4
16	506 91 62-04	BLIND RIVET NUT		2
17	506 57 01-04	SCREW EHHFM		4
18	725 25 02-71	SCREW EHHM		1
19	535 42 38-01	SCREW RSQM		4
20	577 76 13-01	BRACKET		1
21	725 25 02-71	SCREW EHHM		1
22	731 23 20-51	HEXAGON NUT		1
23	578 31 03-01	SEALING STRIP		2
24	577 76 14-01	SLEEVE		1
25	577 76 15-01	BRACKET		1
26	506 67 54-02	SCREW EHHFM		3

CHASSIS & ENCLOSURES

P524, 966607201, 2011

Ref	Part No	Description	Remark	QTY KIT
1	576 28 64-01	SHAFT ASSY		2
2	506 57 01-03	SCREW EHHFM		11
3	544 25 63-01	SCREW IHSCM		2
4	506 91 62-01	BLIND RIVET NUT		8
5	577 39 08-01	CONTROL SHAFT		1
6	576 65 48-07	SCREW EHHFM		1
7	732 25 22-01	HEXAGON LOCKING NUT		1
8	576 43 42-01	HEXAGON NUT		1
9	506 57 01-04	SCREW EHHFM		7
10	535 42 58-01	SCREW IH PANM		4
11	577 61 45-01	WASHER		1
12	577 61 46-01	FIXING WASHER		1
13	727 64 99-51	SCREW		1
14	576 64 57-05	NUT FLANGE		1
15	577 40 03-01	BUSHING		2
16	577 40 10-01	PLATE		2
17	577 38 86-01	PULL ROD		1
18	577 39 06-01	SPRING		2
19	577 37 67-01	SCREW EHHM		1
20	725 24 97-51	SCREW		1
21	576 64 57-05	NUT FLANGE		8
22	577 40 85-01	ROD END		1
23	577 37 67-01	SCREW EHHM		1
24	576 74 39-01	FRAME		1
25	576 11 00-01	LINK RODS		1
26	506 67 54-01	SCREW EHHFM		1
27	576 82 31-01	WASHER		1
28	577 20 22-01	DISTANCE		2
29	576 29 33-01	CONTACT PLATE		1
30	576 29 33-02	CONTACT PLATE		1
31	576 27 11-02	REAR AXLE ASSY		1
32	586 12 09-01	LOCKING PLATE		1
33	544 01 70-01	HUB CAP		1
34	544 25 41-01	PLUG		2
35	585 56 30-01	WEAR PLATE		2
36	576 47 42-01	PLATE		2
37	576 47 44-01	COVER PLATE		1
38	544 36 24-01	SCREW		4
39	576 46 80-01	LOCK RING		1
40	576 27 17-01	BEARING		1
45	506 95 17-01	ROD END		1
46	725 25 13-51	SCREW EHHM		1
47	725 25 02-71	SCREW EHHM		1
48	731 23 20-51	HEXAGON NUT		2
49	576 82 31-01	WASHER		2
50	734 11 72-01	WASHER		2
51	576 47 38-01	PIVOT		1
52	577 92 84-01	DEFLECTION LIMITER		1
53	578 31 03-01	SEALING STRIP		3
54	576 64 57-04	NUT FLANGE		2
55	535 42 38-01	SCREW RSQM		2
56	577 92 84-02	DEFLECTION LIMITER		1
57	578 24 64-01	SLEEVE		1

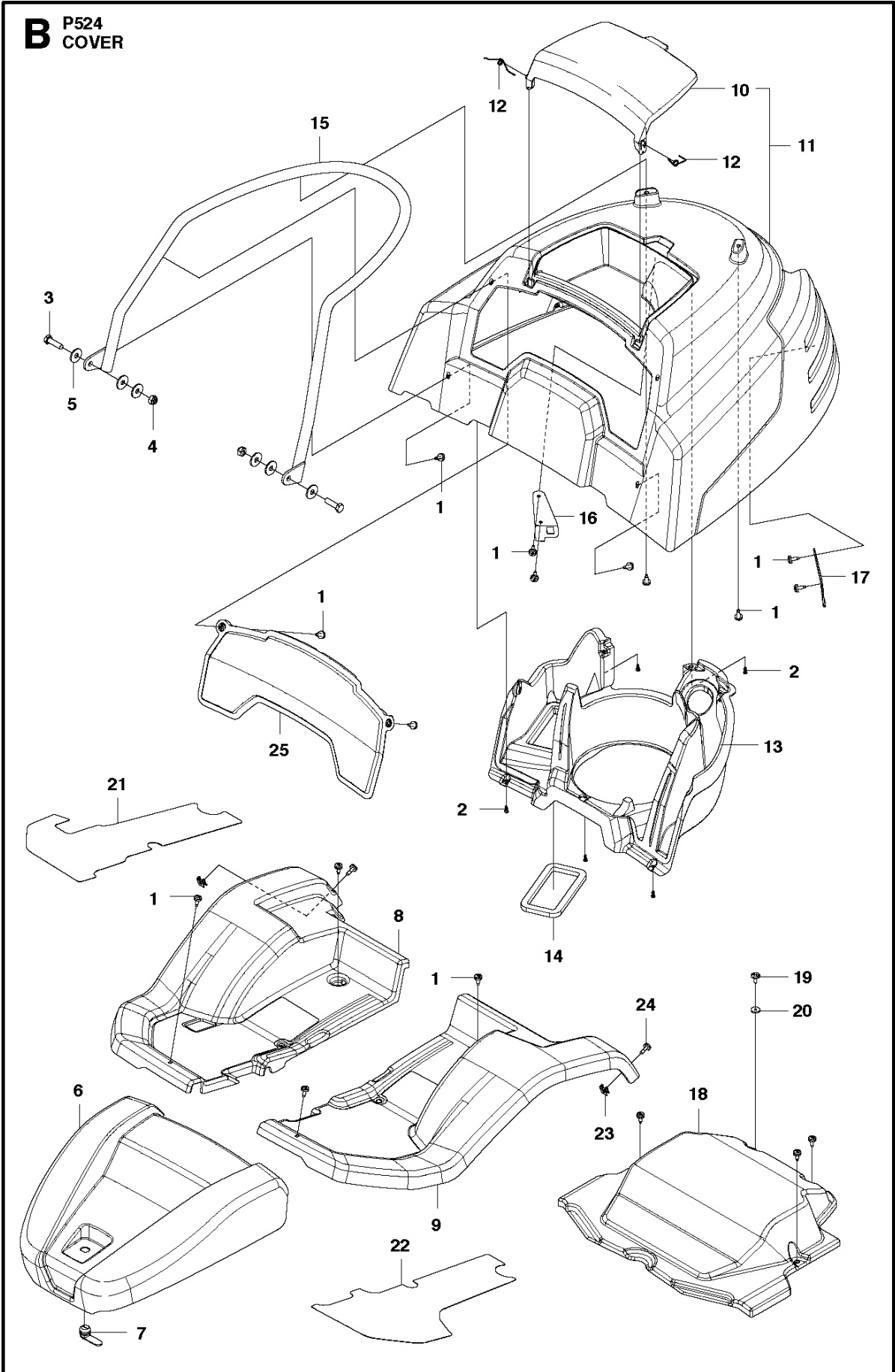
G P524
CONTROLS



CONTROLS

P524, 966607201, 2011

Ref	Part No	Description	Remark	QTY	KIT
1	732 25 16-01	HEXAGON LOCKING NUT		2	
2	734 11 64-41	WASHER		1	
3	576 64 57-04	NUT FLANGE		3	
4	506 57 01-06	SCREW EHHFM		2	
5	731 23 18-01	HEXAGON NUT		1	
6	577 09 49-01	LINKAGE		1	
7	506 99 20-01	PIPE		1	
8	506 98 61-03	BUSHING		1	
9	577 08 72-01	BRACKET		1	
10	506 57 01-04	SCREW EHHFM		4	
11	574 87 41-01	WASHER		1	
12	735 31 09-20	HARNESS		1	
13	732 21 16-01	NUT		2	
14	725 23 64-61	SCREW EHHFT		1	
15	506 55 73-01	VINKELL.AS8 DIN71802		2	
16	738 21 02-04	BALL BEARING		1	23
17	535 48 02-01	ROLLER		1	23
18	535 47 52-12	SCREW EHHFM		1	
19	731 23 14-01	HEXAGON NUT		2	
20	535 42 38-02	SCREW RSQM		1	
21	576 43 42-01	HEXAGON NUT		1	
22	535 48 06-01	PROTECTIVE PLATE		1	23
23	544 12 60-01	PEDAL PLATE ASSY		1	
24	535 47 37-01	KNOB		1	
25	577 22 25-01	LOCKING LEVER		1	
26	577 22 21-01	SLEEVE		1	
27	504 63 90-01	SPRING		1	
28	544 36 70-01	PUSH BUTTON		1	
29	506 94 63-01	BRAKE SPRING		1	
30	576 83 06-01	BRAKE WIRE		1	
31	544 13 36-01	DRAW SPRING		1	
32	535 48 93-03	HYDROSTATIC CABLE		1	
33	522 43 08-01	BRACKET		1	
34	577 09 52-01	BRACKET		1	
35	544 44 19-02	ADJUSTMENT ROD		1	
36	577 35 77-01	HOLDER		1	
37	506 93 83-01	DAMPING PIECE		1	
38	535 48 07-01	SPRING		1	23
39	535 48 08-01	BEARING SUPPORT		4	23
40	535 48 09-01	BEARING SUPPORT		5	23
41	535 48 10-01	REINFORCEMENT PLATE		3	23
42	535 47 88-01	PEDAL RUBBER		1	23
43	535 47 88-02	PEDAL RUBBER		1	23

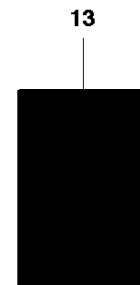
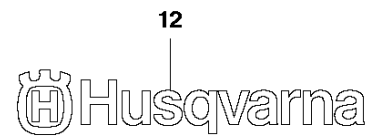
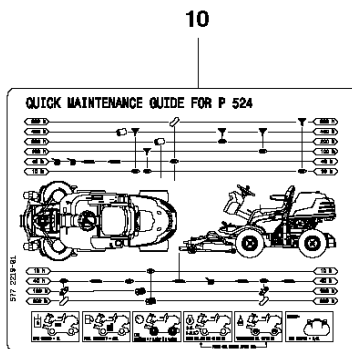
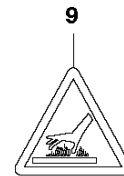
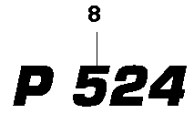
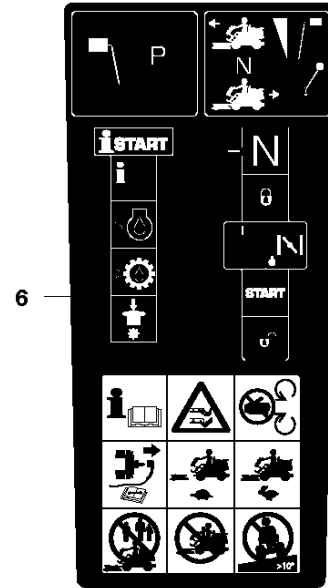
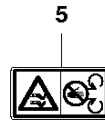


COVER

P524, 966607201, 2011

Ref	Part No	Description	Remark	QTY	KIT
1	574 85 62-02	SCREW		14	
2	504 61 09-01	SCREW ITPANT		5	
3	725 24 97-51	SCREW		2	
4	732 21 20-51	NUT		2	
5	734 11 74-60	WASHER		6	
6	502 28 69-01	UNIT COVER		1	
7	525 39 05-01	LOCK		1	
8	577 06 59-01	FOOT PLATE		1	
9	577 06 58-01	FOOT PLATE		1	
10	504 10 14-01	LID		1	11
11	502 62 55-01	ENGINE HOOD ASSY		1	
12	504 12 41-01	SPRING		2	
13	504 10 19-03	AIR CONDUCTOR		1	
14	504 62 95-01	SEALING		1	
15	502 49 46-01	LOAD CARRIER		1	
16	504 61 39-01	GUIDE PLATE		1	
17	504 61 39-02	GUIDE PLATE		1	
18	576 47 37-01	COVER		1	
19	574 85 62-02	SCREW		4	
20	506 55 97-01	WASHER		4	
21	577 06 61-01	GRIP		1	
22	577 06 60-01	GRIP		1	
23	535 42 91-01	SPRING NUT		2	
24	574 85 62-02	SCREW		2	
25	502 48 22-01	GRID		1	

N P524
DECALS

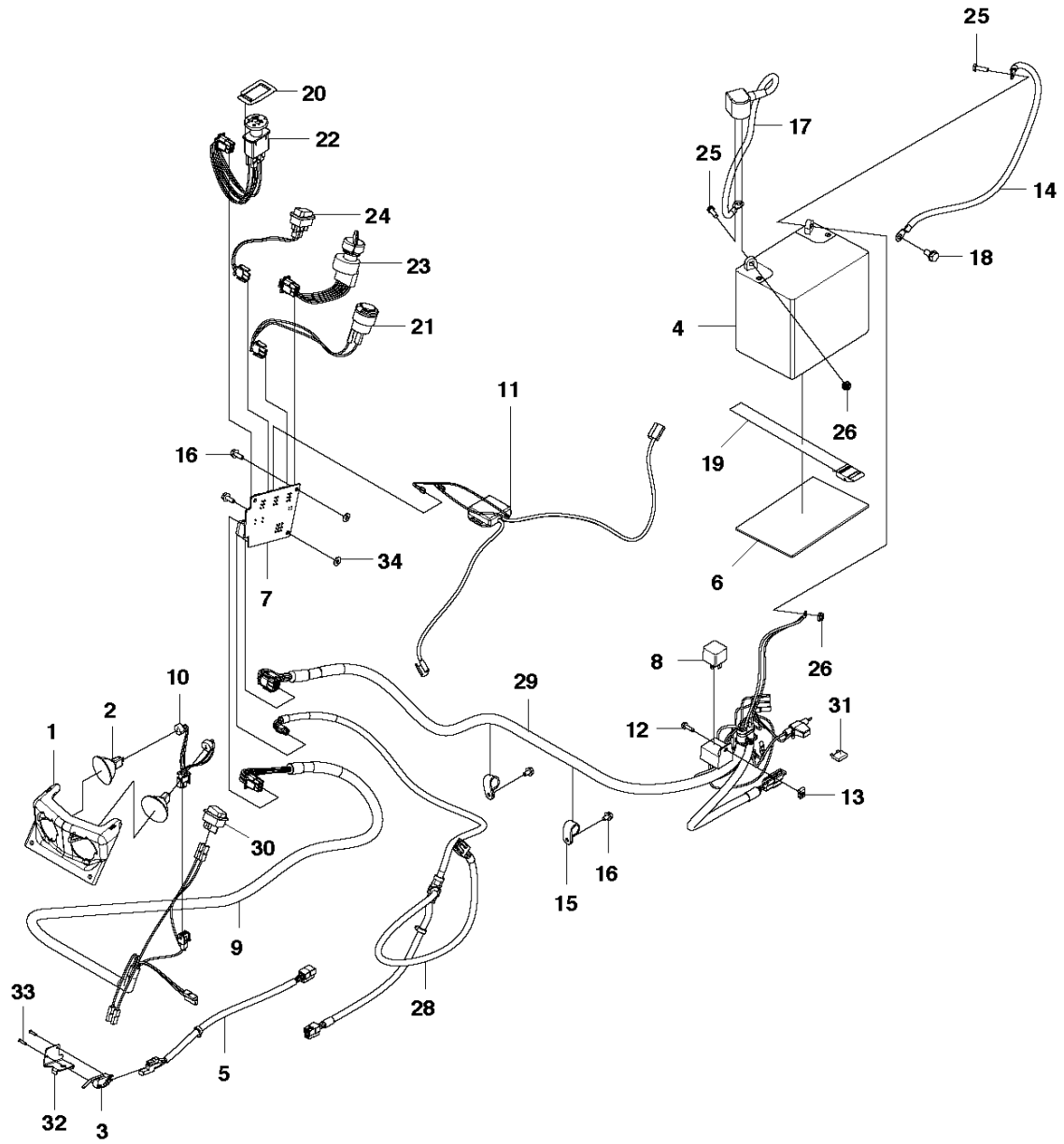


DECALS

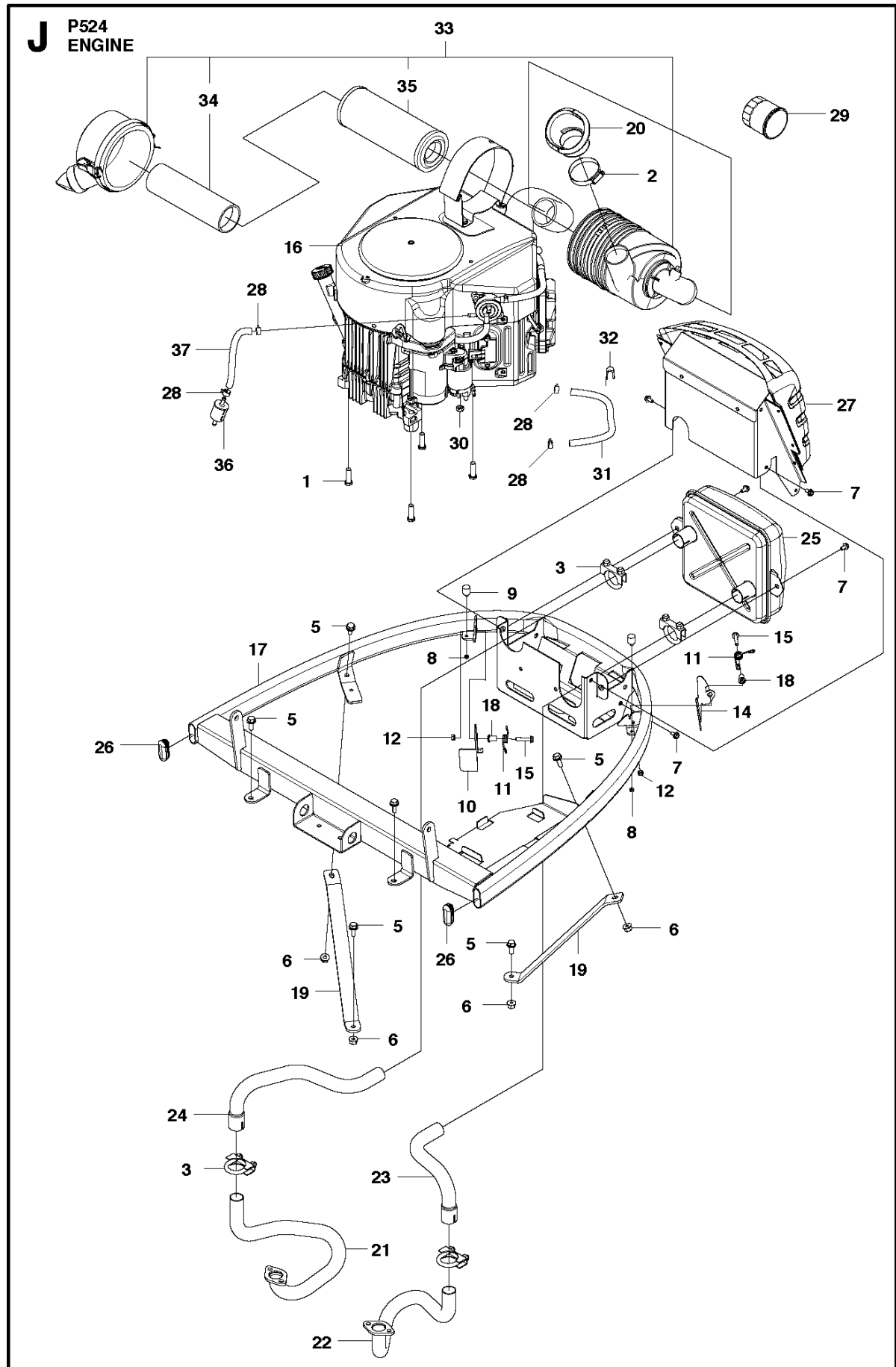
P524, 966607201, 2011

Ref	Part No	Description	Remark	QTY KIT
1	505 21 77-06	LABEL		1
2	506 58 45-01	LABEL		1
3	577 22 67-01	DECAL		1
4	577 22 20-01	DECAL		1
5	574 51 00-01	DECAL		1
6	576 71 43-01	DECAL		1
7	544 39 11-02	LABEL		1
8	577 22 17-01	DECAL		2
9	505 51 66-01	LABEL		1
10	577 22 19-01	DECAL		1
11	505 51 67-01	LABEL		2
12	577 46 90-01	DECAL		2
13	577 60 90-01	LABEL		1

L P524
ELECTRIC



Ref	Part No	Description	Remark	QTY KIT
1	535 44 67-01	HOUSING		1
2	535 44 68-01	LAMP		2
3	574 31 61-01	SWITCH		1
4	577 04 16-01	BATTERY		1
5	576 18 54-01	WIRING		1
6	506 83 68-02	BELT		1
7	577 21 53-01	CONTROL BOARD		1
8	577 32 51-01	RELAY		1
9	577 20 52-01	WIRING		1
10	576 46 85-01	WIRING		1
11	504 63 94-01	THERMOSTAT ASSY		1
12	535 41 56-19	SCREW		1
13	506 89 20-01	SPEED NUT		1
14	576 18 38-02	CABLE		1
15	577 54 84-02	CLAMP		2
16	725 23 64-61	SCREW EHHFT		4
17	577 20 53-01	CABLE		1
18	506 57 01-03	SCREW EHHFM		1
19	535 44 11-01	BATTERY MAT		1
20	544 40 43-01	LOCKWASHER		1
21	577 20 47-01	WIRING		1
22	577 20 49-01	WIRING		1
23	577 20 46-01	WIRING		1
24	577 20 48-01	WIRING		1
25	522 62 21-01	SCREW EHHM		2
26	522 62 43-01	NUT		2
28	577 20 51-01	WIRING		1
29	577 20 50-01	WIRING		1
30	502 65 57-01	SWITCH		1
31	532 17 51-58	FUSE		1
32	544 41 57-01	BRACKET		1
33	544 44 07-01	RIVET		1
34	579 70 71-01	WASHER		2

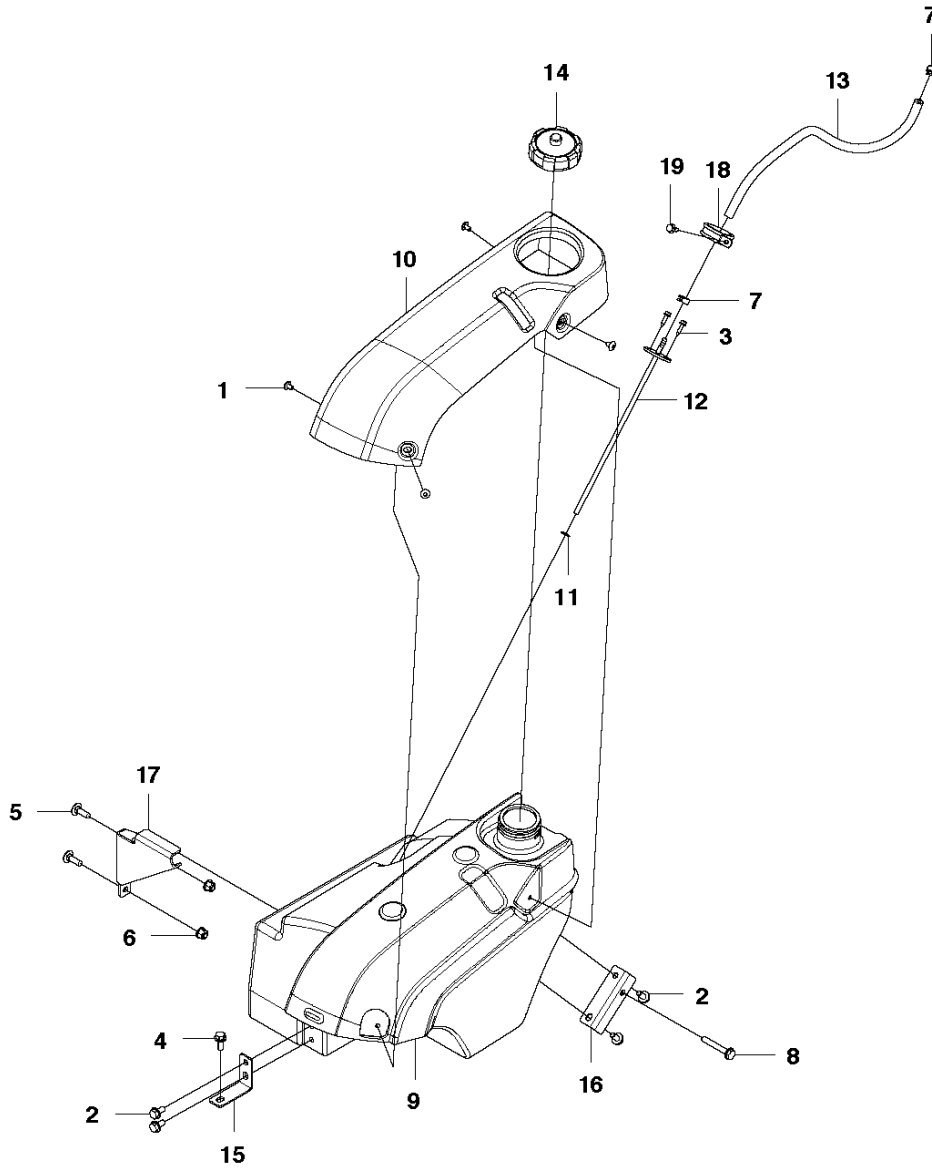


ENGINE

P524, 966607201, 2011

Ref	Part No	Description	Remark	QTY KIT
1	577 09 48-01	SCREW		4
2	544 20 27-03	HOSE CLAMP		1
3	506 66 84-01	CLAMP ASSY		4
5	535 47 52-12	SCREW EHHFM		6
6	576 64 57-04	NUT FLANGE		4
7	506 57 01-05	SCREW EHHFM		6
8	732 21 14-01	LOCK NUT		2
9	504 63 88-01	DAMPER		2
10	504 61 34-03	LATCH		1
11	504 63 90-01	SPRING		2
12	732 21 16-01	NUT		2
14	504 61 34-04	LATCH		1
15	535 47 52-30	SCREW EHHFM		2
16	577 58 61-01	ENGINE		1
17	577 09 29-01	ENGINE FRAME		1
18	504 63 84-01	BUSHING		2
19	576 87 82-01	SUPPORT		2
20	576 89 96-01	BELLOWS		1
21	577 38 61-01	MANIFOLD		1
22	577 38 65-01	MANIFOLD		1
23	577 38 66-01	EXHAUST PIPE		1
24	577 38 62-01	EXHAUST PIPE		1
25	577 40 69-01	MUFFLER ASSY		1
26	504 64 36-01	PLUG		2
27	505 39 55-02	HEAT PROTECTOR		1
28	535 46 97-01	HOSE BRACE		2
29	578 15 92-01	FILTER OIL		1
30	731 23 18-01	HEXAGON NUT		1
31	544 28 25-03	FUEL HOSE		1
32	574 53 12-03	HOSE CLAMP		1
33	582 09 28-01	AIR FILTER		1
34	585 40 80-02	AIR FILTER		1
35	585 40 80-01	AIR FILTER		1
36	535 41 43-76	FILTER		1
37	535 41 44-95	PIPE		1

C P524
FUEL SYSTEM

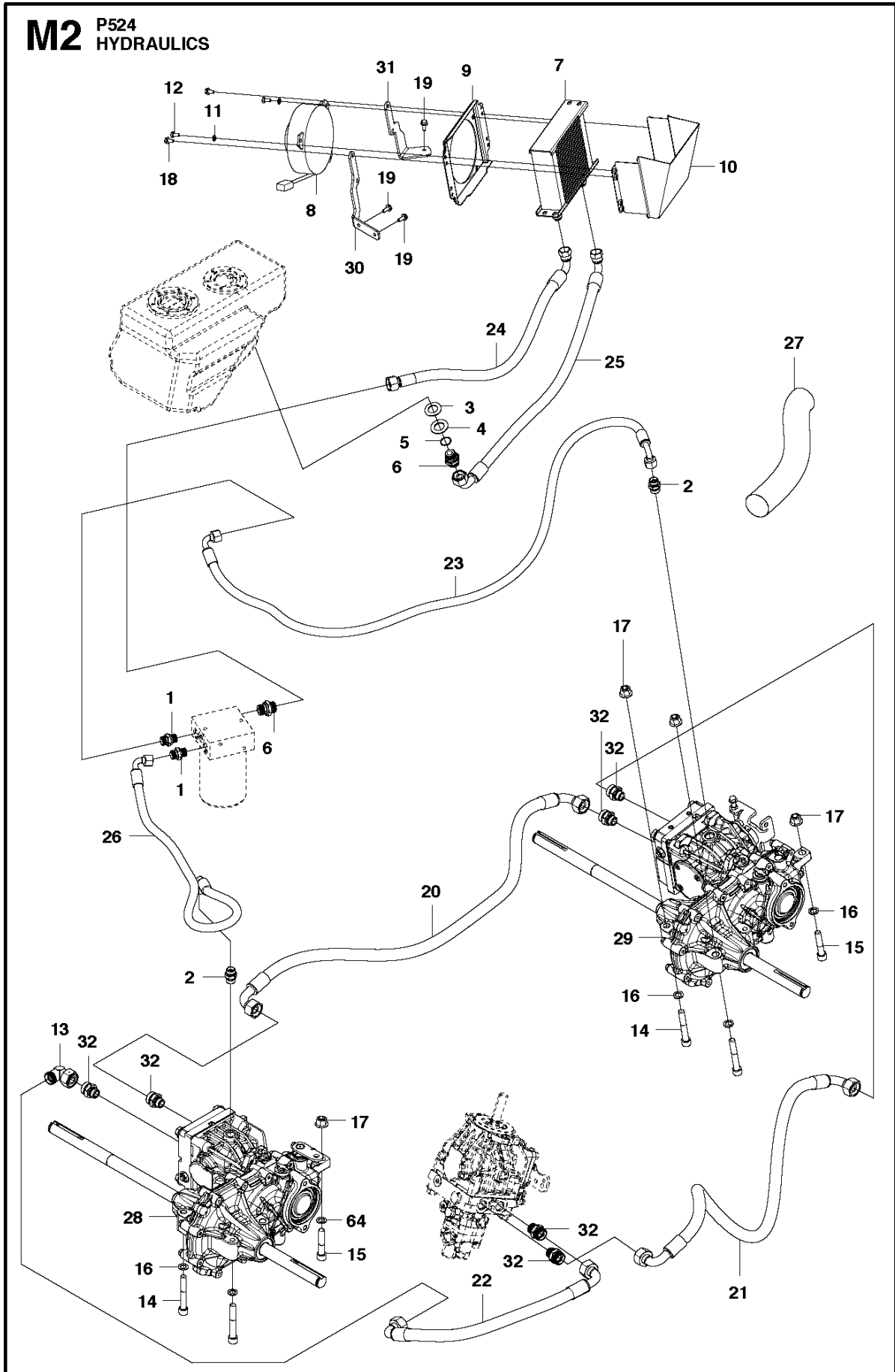


FUEL SYSTEM

P524, 966607201, 2011

Ref	Part No	Description	Remark	QTY KIT
1	535 42 58-01	SCREW IHPANM		4
2	506 57 01-03	SCREW EHHFM		4
3	535 41 56-19	SCREW		2
4	506 57 01-04	SCREW EHHFM		1
5	535 42 38-01	SCREW RSQM		2
6	576 64 57-04	NUT FLANGE		2
7	535 46 97-01	HOSE BRACE		2
8	506 57 01-07	SCREW EHHFM		1
9	577 00 04-01	FUEL TANK		1
10	577 01 43-01	COVER		1
11	740 48 12-02	O-RING		1
12	577 00 84-01	CONNECTION		1
13	504 80 00-04	FUEL HOSE		1
14	506 67 33-01	TANK CAP ASSY		1
15	576 98 98-01	BRACKET		1
16	576 98 95-01	BRACKET		1
17	576 98 97-01	BRACKET		1
18	574 53 12-03	HOSE CLAMP		1
19	725 23 68-61	SCREW EHHFT		1

M2 P524
HYDRAULICS

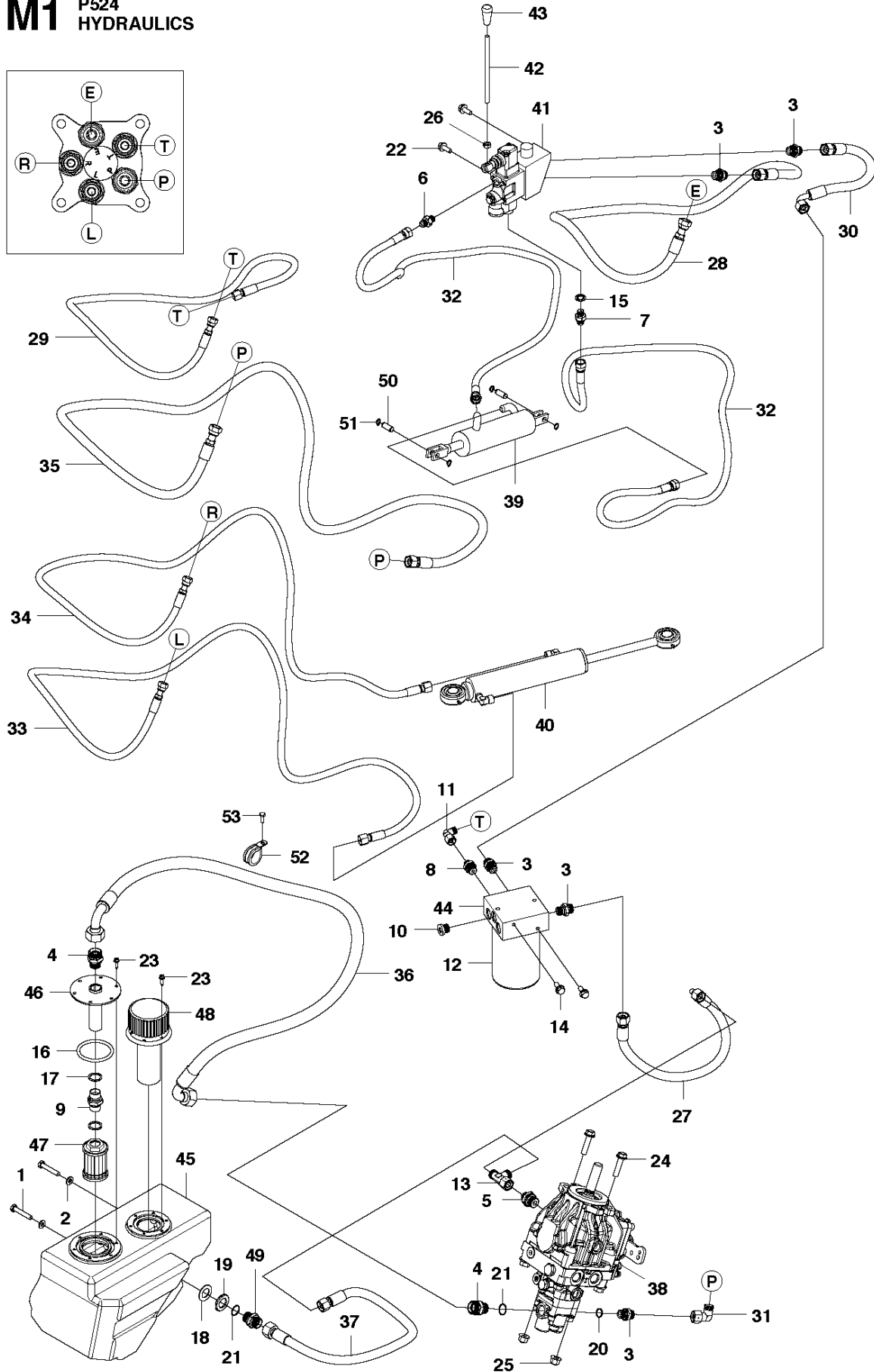
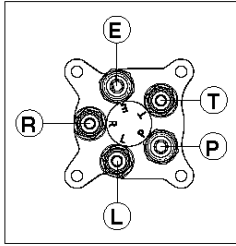


HYDRALICS

P524, 966607201, 2011

Ref	Part No	Description	Remark	QTY KIT
1	575 88 13-04	CONNECTOR		6
2	575 88 14-02	CONNECTOR		2
3	522 47 13-01	WASHER		1
4	506 77 57-01	WASHER		1
5	740 42 17-00	O-RING		1
6	575 88 13-03	CONNECTOR		2
7	505 45 91-01	OIL COOLER		1
8	504 62 93-01	FAN		1
9	505 45 92-01	FAN COVER		1
10	505 45 93-01	AIR INTAKE		1
11	734 11 52-01	WASHER		7
12	725 23 66-71	SCREW EHHM		6
13	575 88 15-02	CONNECTOR		1
14	544 25 63-03	SCREW IHSCM		4
15	544 25 63-01	SCREW IHSCM		2
16	734 11 77-71	WASHER		8
17	576 64 57-06	NUT FLANGE		4
18	535 47 52-12	SCREW EHHFM		4
19	725 23 68-51	SCREW		3
20	576 74 43-01	HYDRAULIC HOSE		1
21	576 74 47-01	HYDRAULIC HOSE		1
22	576 75 64-01	HYDRAULIC HOSE		1
23	576 74 49-01	HYDRAULIC HOSE		1
24	576 74 52-01	HYDRAULIC HOSE		1
25	576 74 51-01	HYDRAULIC HOSE		1
26	577 87 73-01	HYDRAULIC HOSE		1
27	505 45 38-01	HOSE GUARD		1
28	577 39 48-01	TRANSMISSION		1
29	577 39 49-01	TRANSMISSION		1
30	504 62 96-01	BRACKET		1
31	504 62 97-01	BRACKET		1
32	575 88 14-01	CONNECTOR		6

M1 P524 HYDRALICS

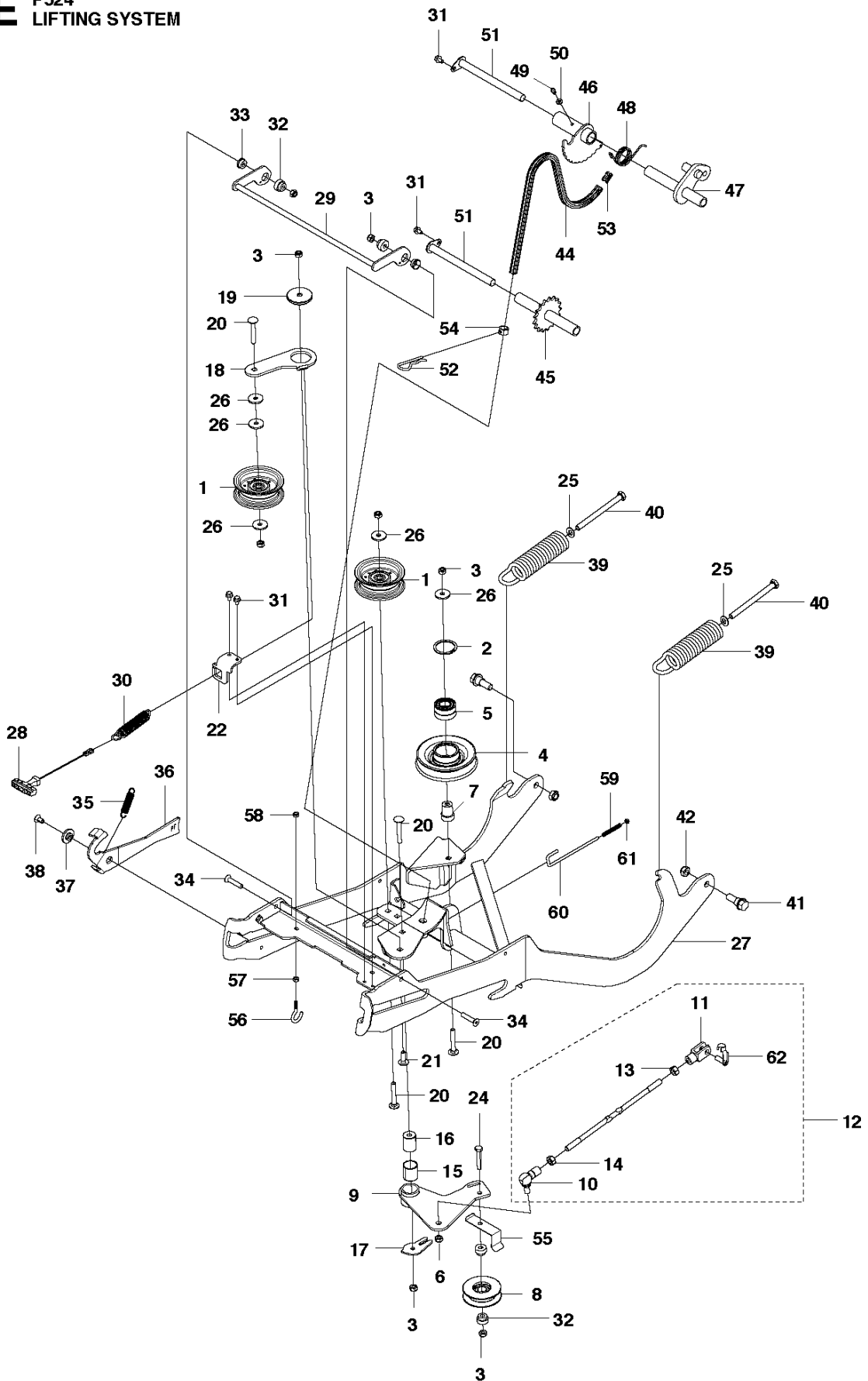


HYDRALICS

P524, 966607201, 2011

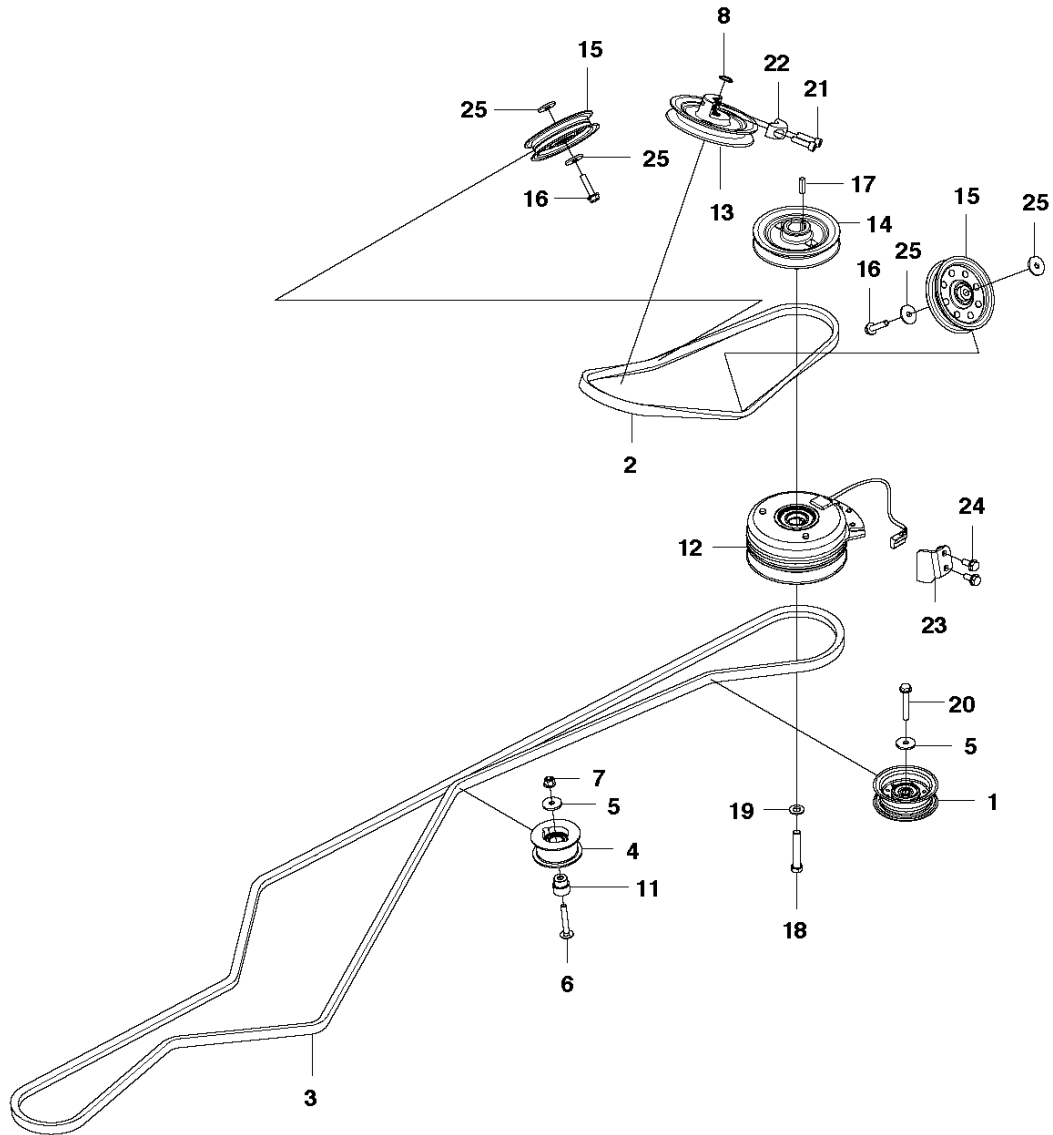
Ref	Part No	Description	Remark	QTY KIT
1	725 24 60-51	SCREW EHHM		1
2	734 11 64-01	WASHER		1
3	575 88 13-04	CONNECTOR		3
4	575 88 13-01	CONNECTOR		2
5	575 88 14-02	CONNECTOR		1
6	535 42 68-05	PIPE FITTING		1
7	535 43 71-01	PIPE FITTING		1
8	575 88 13-02	CONNECTOR		1
9	544 00 97-01	PIPE FITTING		1
10	575 79 15-02	PIPE FITTING		1
11	575 88 15-01	CONNECTOR		1
12	575 88 68-01	FILTER		1
13	576 65 49-01	PIPE FITTING		1
14	506 57 01-03	SCREW EHHFM		2
15	544 04 65-03	O-RING		1
16	544 04 65-05	O-RING		1
17	544 01 00-01	GASKET		2
18	522 47 13-01	WASHER		1
19	506 77 57-01	WASHER		1
20	740 42 13-00	O-RING		1
21	740 42 17-00	O-RING		2
22	506 57 01-04	SCREW EHHFM		2
23	535 41 56-19	SCREW		12
24	506 67 54-02	SCREW EHHFM		2
25	576 64 57-05	NUT FLANGE		2
26	731 23 18-01	HEXAGON NUT		1
27	577 40 17-01	HYDRAULIC HOSE		1
28	576 74 59-01	HYDRAULIC HOSE		1
29	576 74 52-01	HYDRAULIC HOSE		1
30	576 75 65-01	HYDRAULIC HOSE		1
31	575 88 15-03	CONDUCTOR		1
32	576 74 61-01	HYDRAULIC HOSE		2
33	576 74 56-01	HYDRAULIC HOSE		1
34	576 74 57-01	HYDRAULIC HOSE		1
35	576 74 55-01	HYDRAULIC HOSE		1
36	576 77 90-01	HYDRAULIC HOSE		1
37	576 75 66-01	HYDRAULIC HOSE		1
38	575 88 69-01	HYDRAULIC PUMP		1
39	535 42 72-01	CYLINDER ASSY		1
40	575 87 62-01	HYDRAULIC CYLINDER		1
41	576 51 67-01	VALVE		1
42	577 00 14-01	LIFTING LEVER		1
43	535 43 82-01	KNOB		1
44	576 03 65-01	FILTER UNIT		1
45	577 01 78-01	HYDRAULIC TANK ASSY		1
46	575 87 08-01	PIPE		1
47	544 00 19-01	FILTER		1
48	544 17 64-01	TANK CAP		1
49	575 88 13-03	CONNECTOR		1
50	535 43 76-01	LOCKING PIN		2
51	735 31 12-00	CIRCLIP		4
52	574 53 12-01	HOSE CLAMP		1
53	725 23 68-61	SCREW EHHFT		1

E P524
LIFTING SYSTEM



Ref	Part No	Description	Remark	QTY	KIT
1	577 44 47-01	PULLEY		2	
2	735 31 38-10	CIRCLIP		1	
3	732 21 18-01	LOCK NUT		8	
4	577 00 19-01	ASSEMBLY		1	
5	738 21 04-04	BALL BEARING		2	
6	732 21 20-51	NUT		1	
7	576 94 64-01	BUSHING		1	
8	576 99 02-01	ASSEMBLY		1	
9	576 92 24-01	BRACKET		1	
10	506 78 99-01	VINKELLÄNK DIN 71802		1	12
11	506 83 98-01	GAFFELLÄNK		1	12
12	576 95 92-01	ASSEMBLY		1	
13	731 23 20-51	HEXAGON NUT		1	12
14	506 89 76-01	NUT		1	12
15	506 98 61-01	GLIDLAGER		1	
16	576 35 15-01	SLEEVE		1	
17	577 66 74-01	WASHER		1	
18	578 11 80-01	SHEET		1	
19	576 92 26-01	WASHER		1	
20	535 42 38-02	SCREW RSQM		3	
21	535 42 38-01	SCREW RSQM		1	
22	576 92 25-01	GUIDE		1	
24	725 24 60-51	SCREW EHHM		2	
25	734 11 72-01	WASHER		2	
26	544 22 16-01	WASHER		5	
27	576 95 21-01	ASSEMBLY		2	
28	504 62 21-01	HANDLE ASSY		1	
29	504 55 78-01	HOOK		1	
30	504 62 24-01	SPRING		1	
31	725 23 64-61	SCREW EHHFT		4	
32	544 00 34-01	BUSHING		4	
33	506 99 33-02	SLEEVE		2	
34	725 64 59-01	SCREW IHCSFM		2	
35	506 53 56-03	DRAW SPRING		1	
36	504 55 80-01	LEVER		1	
37	506 91 87-01	WASHER		1	
38	725 64 49-01	SCREW IHCSFM		1	
39	505 42 09-01	SPRING		2	
40	725 25 15-71	SCREW EHHM		2	
41	506 89 58-01	COLLAR SCREW		2	
42	576 64 57-06	NUT FLANGE		2	
44	506 55 46-12	CHAIN		1	
45	577 05 02-01	ASSEMBLY		1	
46	577 04 14-01	ASSEMBLY		1	
47	577 03 91-01	ASSEMBLY		1	
48	576 47 51-01	SPRING		1	
49	738 88 10-01	LUBRICATION NIPPLE		1	
50	734 11 52-01	WASHER		1	
51	577 23 84-01	SHAFT ASSY		2	
52	506 96 66-01	HAIR PIN COTTER		1	
53	506 55 47-01	LINKAGE		1	
54	544 93 42-01	CHAIN STOP		1	
55	578 19 06-01	BELT GUIDE		1	
56	578 19 36-01	HOOK		1	
57	731 23 16-01	HEXAGON NUT		1	
58	732 21 16-01	NUT		1	
59	577 66 75-01	SPRING		1	
60	577 66 73-01	LOCKING PIN		1	
61	732 21 14-01	LOCK NUT		1	
62	506 83 98-03	BOLT		1	12

K P524
POWER TAKE OFF

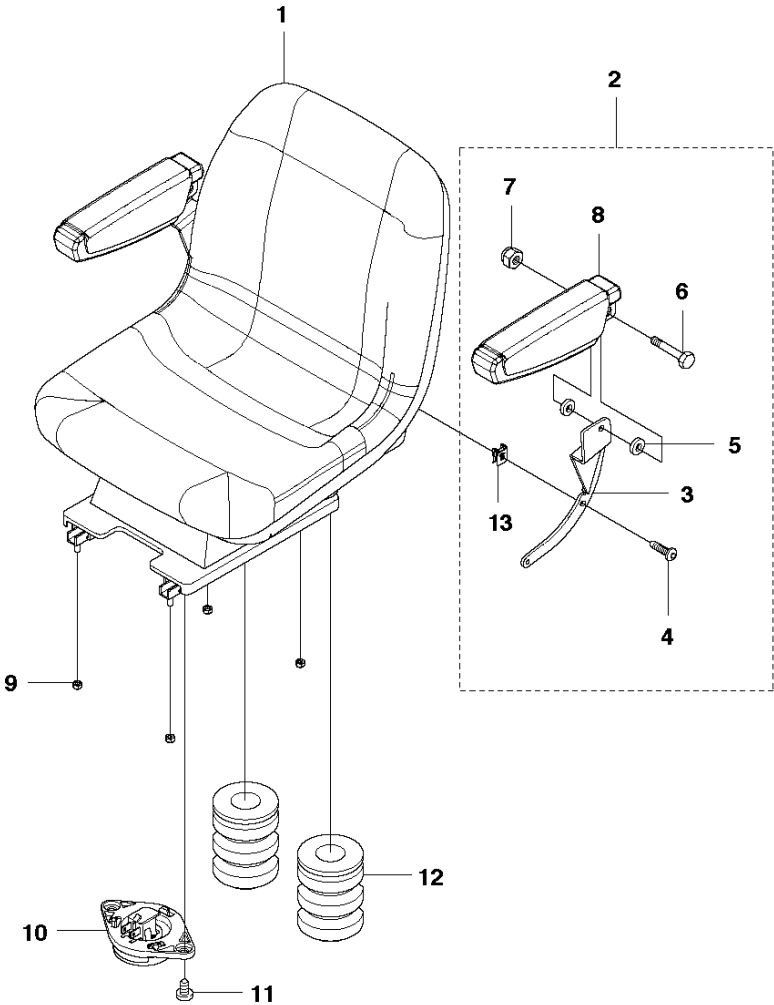


POWER TAKE OFF

P524, 966607201, 2011

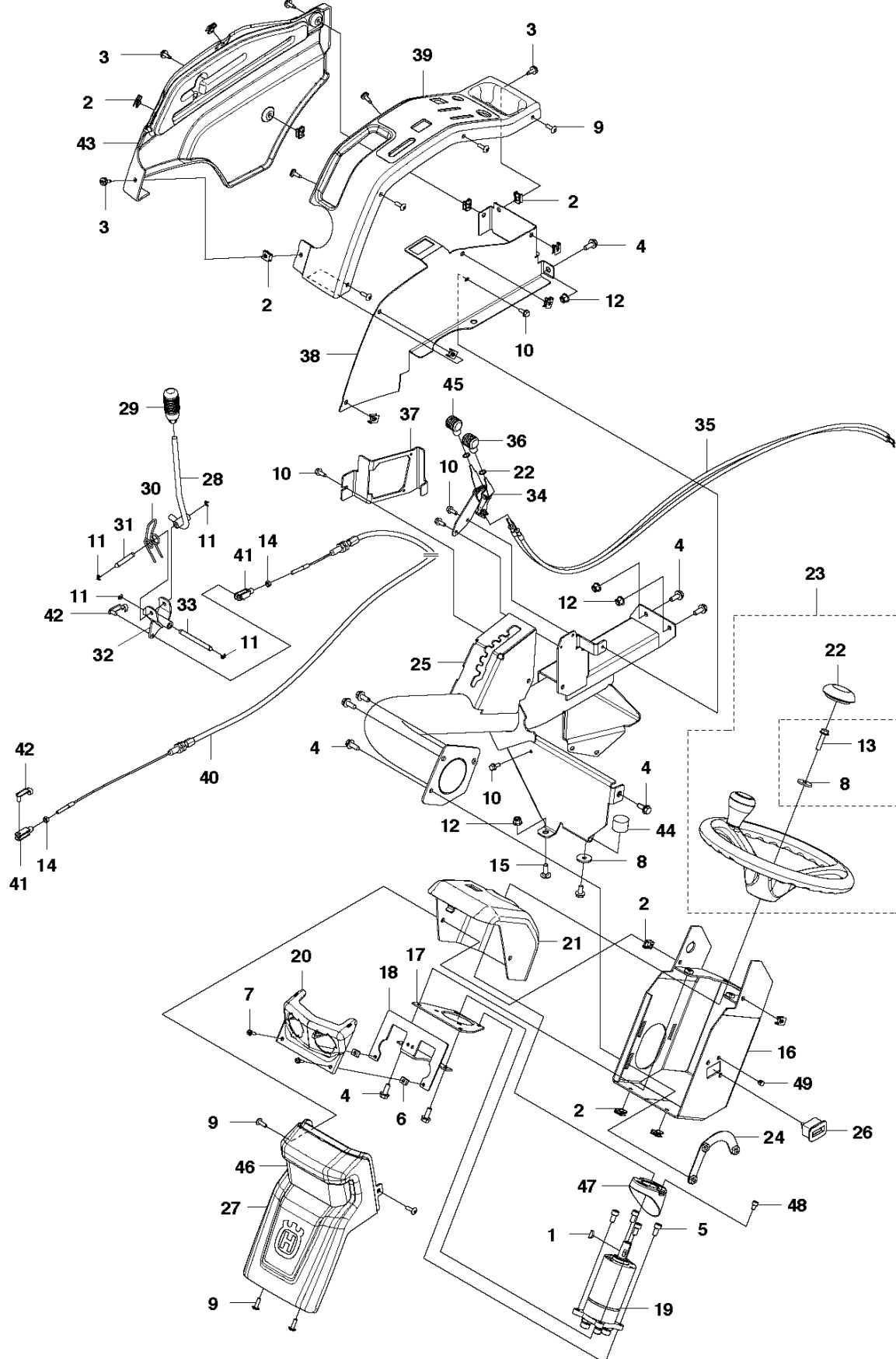
Ref	Part No	Description	Remark	QTY KIT
1	577 44 47-01	PULLEY		1
2	577 00 31-01	BELT		1
3	577 00 30-01	BELT		1
4	505 15 39-01	BELT TENSIONER WHEEL ASSY		1
5	544 22 16-01	WASHER		2
6	725 24 60-51	SCREW EHHM		1
7	576 64 57-04	NUT FLANGE		1
8	735 31 19-00	CIRCLIP		1
11	535 48 48-01	BUSHING		1
12	577 06 55-01	CLUTCH		1
13	577 33 42-01	PULLEY		1
14	577 36 57-01	PULLEY		1
15	577 79 96-01	PULLEY		2
16	506 57 01-06	SCREW EHHFM		2
17	506 55 59-03	WEDGE		1
18	577 07 71-01	SCREW		1
19	577 09 28-01	WASHER		1
20	506 57 01-07	SCREW EHHFM		1
21	725 54 55-01	SCREW IHSCM		2
22	577 57 43-01	CLAMP		1
23	577 38 59-01	TORSION STOP		1
24	506 57 01-04	SCREW EHHFM		2
25	734 11 64-41	WASHER		4

A P 524
SEAT



Ref	Part No	Description	Remark	QTY KIT	
1	535 45 85-01	SEAT ASSY		1	
2	525 40 65-01	ARM REST KIT		1	
3	535 41 49-75	BRACKET		1	2
3	535 41 49-76	BRACKET		1	2
4	580 72 10-01	SCREW		6	2
5	535 41 49-78	SPACER		4	2
6	535 41 49-79	SCREW		2	2
7	535 41 49-80	NUT		2	2
8	535 41 49-81	ARMSTÖD		2	2
9	576 64 57-04	NUT FLANGE		4	
10	582 87 66-01	SWITCH		1	
11	503 21 88-16	SCREW IHSCT		2	
12	529 29 24-01	DAMPING PIECE		2	
13	580 72 11-01	SPEED NUT		2	2

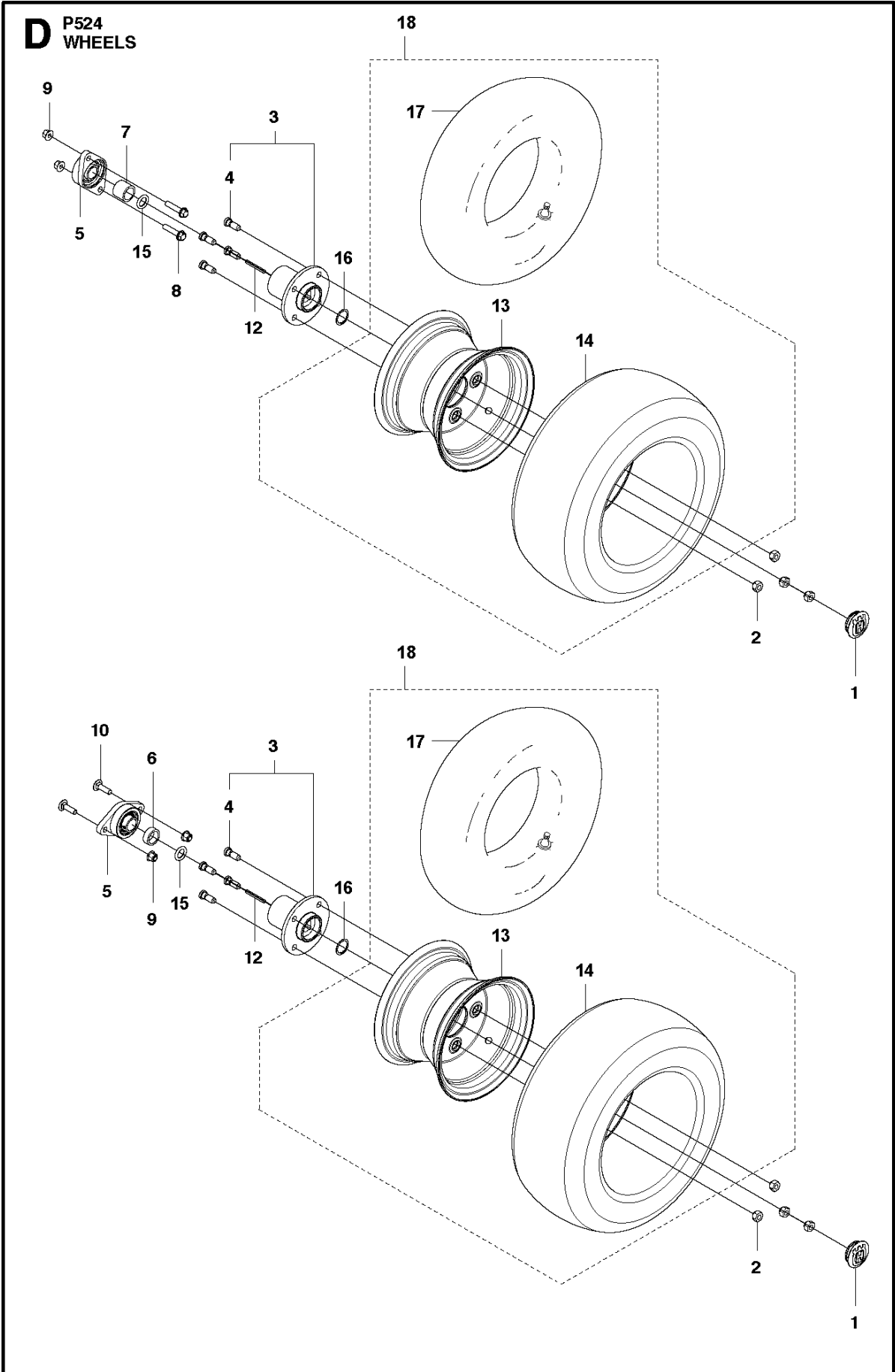
F P524
STEERING COLUMN



STEERING

P524, 966607201, 2011

Ref	Part No	Description	Remark	QTY KIT
1	735 88 12-00	WOODRUFF KEY		1
2	535 42 91-01	SPRING NUT		14
3	574 85 62-02	SCREW		9
4	506 57 01-04	SCREW EHHFM		9
5	725 54 49-01	SCREW IHSCM		4
6	506 89 20-01	SPEED NUT		2
7	535 41 56-19	SCREW		2
8	544 22 16-01	WASHER		2
9	574 85 62-02	SCREW		5
10	725 23 64-61	SCREW EHHFT		5
11	735 31 09-20	HARNESS		4
12	576 64 57-04	NUT FLANGE		5
13	506 57 01-06	SCREW EHHFM		1
14	731 23 16-01	HEXAGON NUT		2
15	535 42 38-01	SCREW RSQM		1
16	576 54 51-01	BRACKET		1
17	576 54 50-01	BRACKET		1
18	576 02 17-01	BRACKET		1
19	506 06 81-01	POWER STEERING		1
20	535 44 67-01	HOUSING		1
21	575 97 54-02	COVER		1
22	740 48 07-02	O-RING		2
23	544 29 14-01	STEERING WHEEL		1
24	576 44 43-01	SHEET		1
25	576 96 53-01	STEERING COLUMN TUBE		1
26	502 65 30-01	HOUR METER		1
27	576 39 23-01	COVER		1
28	577 00 07-01	LEVER ASSY		1
29	506 54 20-01	HANDLE		1
30	506 53 14-01	SPRING		1
31	506 53 15-01	SHAFT		1
32	577 00 09-01	LEVER ASSY		1
33	577 00 12-01	SHAFT		1
34	577 07 14-01	THROTTLE CONTROL		1
35	544 30 17-05	WIRE		2
36	506 88 91-01	KNOB		1
37	577 00 15-01	BRACKET		1
38	577 00 16-01	SHEET		1
39	577 48 65-01	COVER		1
40	577 06 36-01	WIRE		1
41	577 06 37-01	FORK		2
42	577 06 37-02	FORK		2
43	576 93 74-01	COVER		1
44	544 25 21-02	ANTIVIBRATION ELEMENT		1
45	506 88 91-02	KNOB		1
46	576 23 11-01	COVER		1
47	578 79 08-01	COVER		1
48	725 53 64-01	SCREW IHSCM		2
49	580 27 29-01	INSERT		3



WHEELS & TIRES

P524, 966607201, 2011

Ref	Part No	Description	Remark	QTY	KIT
1	506 86 48-01	PROTECTIVE COVER		4	
2	506 86 50-01	WHEEL NUT		16	
3	577 57 30-01	HUB ASSY		4	
4	506 89 02-01	BOLT		4	3
5	577 08 73-01	BEARING UNIT		4	
6	506 80 09-08	SLEEVE		2	
7	506 80 09-09	SLEEVE		2	
8	506 67 54-03	SCREW EHHFM		4	
9	576 64 57-05	NUT FLANGE		8	
10	727 64 99-51	SCREW		4	
12	506 55 59-01	WEDGE		8	
13	577 58 95-01	RIM		4	18
14	577 58 91-01	TIRE		4	18
15	506 50 48-06	WASHER		4	
16	574 45 88-01	CIRCLIP		4	
17	578 24 63-01	TIRE		4	18
18	576 95 91-01	WHEEL ASSY		4	

Free Manuals Download Website

<http://myh66.com>

<http://usermanuals.us>

<http://www.somanuals.com>

<http://www.4manuals.cc>

<http://www.manual-lib.com>

<http://www.404manual.com>

<http://www.luxmanual.com>

<http://aubethermostatmanual.com>

Golf course search by state

<http://golfingnear.com>

Email search by domain

<http://emailbydomain.com>

Auto manuals search

<http://auto.somanuals.com>

TV manuals search

<http://tv.somanuals.com>