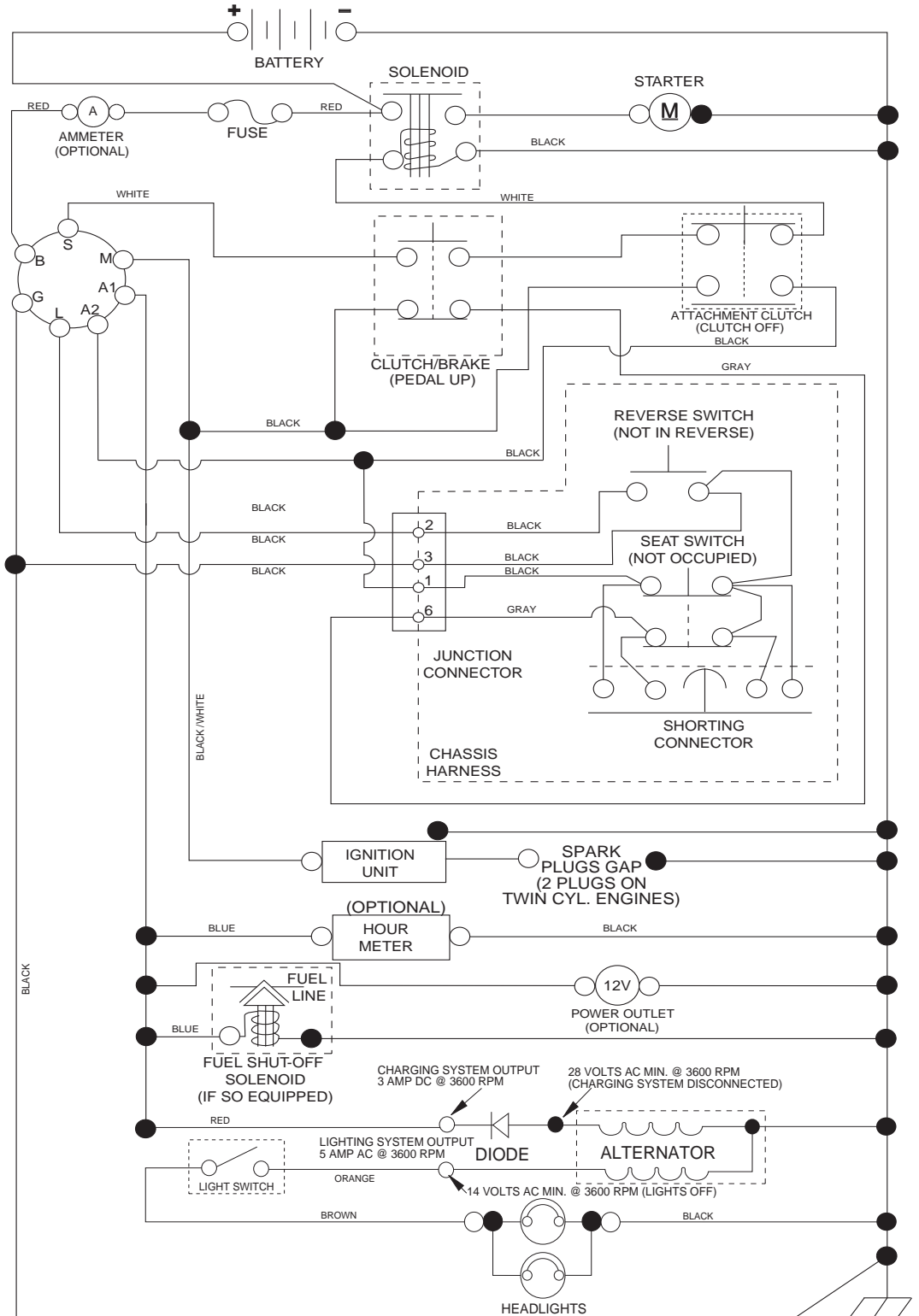


YTH2246

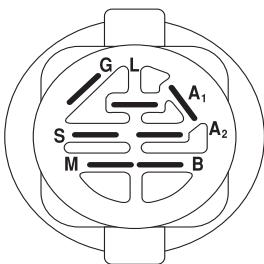
ILLUSTRATED PARTS LIST

TRACTOR -- MODEL NUMBER YTH2246 (96043004100), PRODUCT NO. 960 43 00-41 SCHEMATIC

SCH11

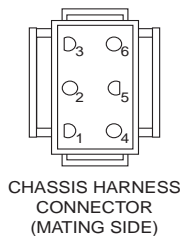


NOTE
YOUR TRACTOR IS EQUIPPED WITH A SPECIAL ALTERNATOR SYSTEM. THE LIGHTS ARE NOT CONNECTED TO THE BATTERY, BUT HAVE THEIR OWN ELECTRICAL SOURCE. BECAUSE OF THIS, THE BRIGHTNESS OF THE LIGHTS WILL CHANGE WITH ENGINE SPEED. AT IDLE THE LIGHTS WILL DIM. AS THE ENGINE IS SPEEDED UP, THE LIGHTS WILL BECOME THEIR BRIGHTEST.

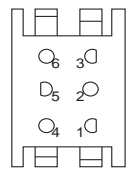


IGNITION SWITCH

POSITION	CIRCUIT	"MAKE"
OFF	M+G+A1	
RUN/OVERRIDE	B+A1	
RUN	B+A1	L+A2
START	B + S + A1	

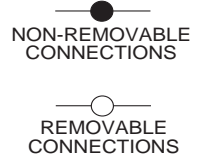


CHASSIS HARNESS CONNECTOR (MATING SIDE)



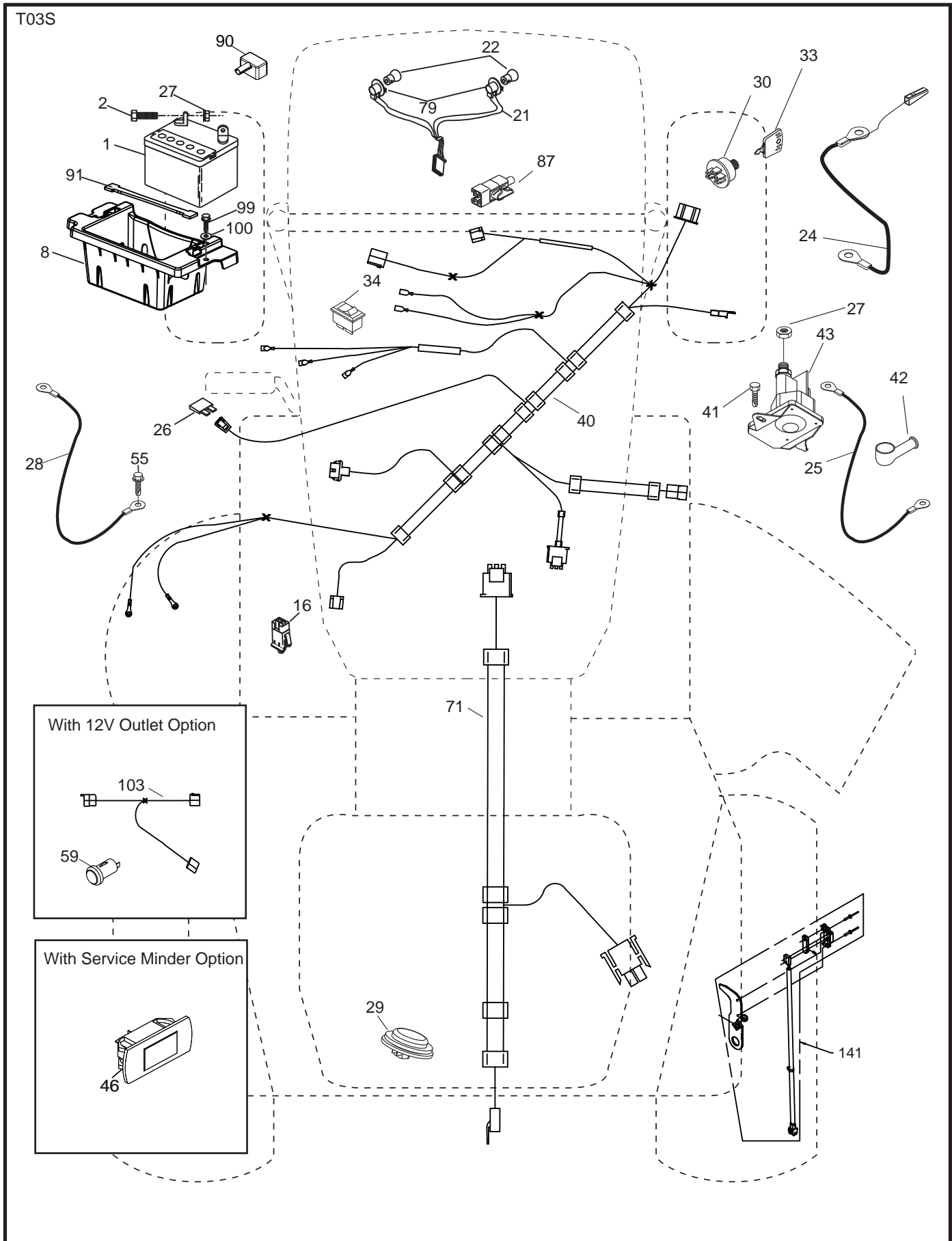
DASH HARNESS CONNECTOR (MATING SIDE)

WIRING INSULATED CLIPS
NOTE: IF WIRING INSULATED CLIPS WERE REMOVED FOR SERVICING OF UNIT, THEY SHOULD BE RE-INSTALLED TO PROPERLY SECURE YOUR WIRING.



TRACTOR -- MODEL NUMBER YTH2246 (96043004100), PRODUCT NO. 960 43 00-41
ELECTRICAL

T03S

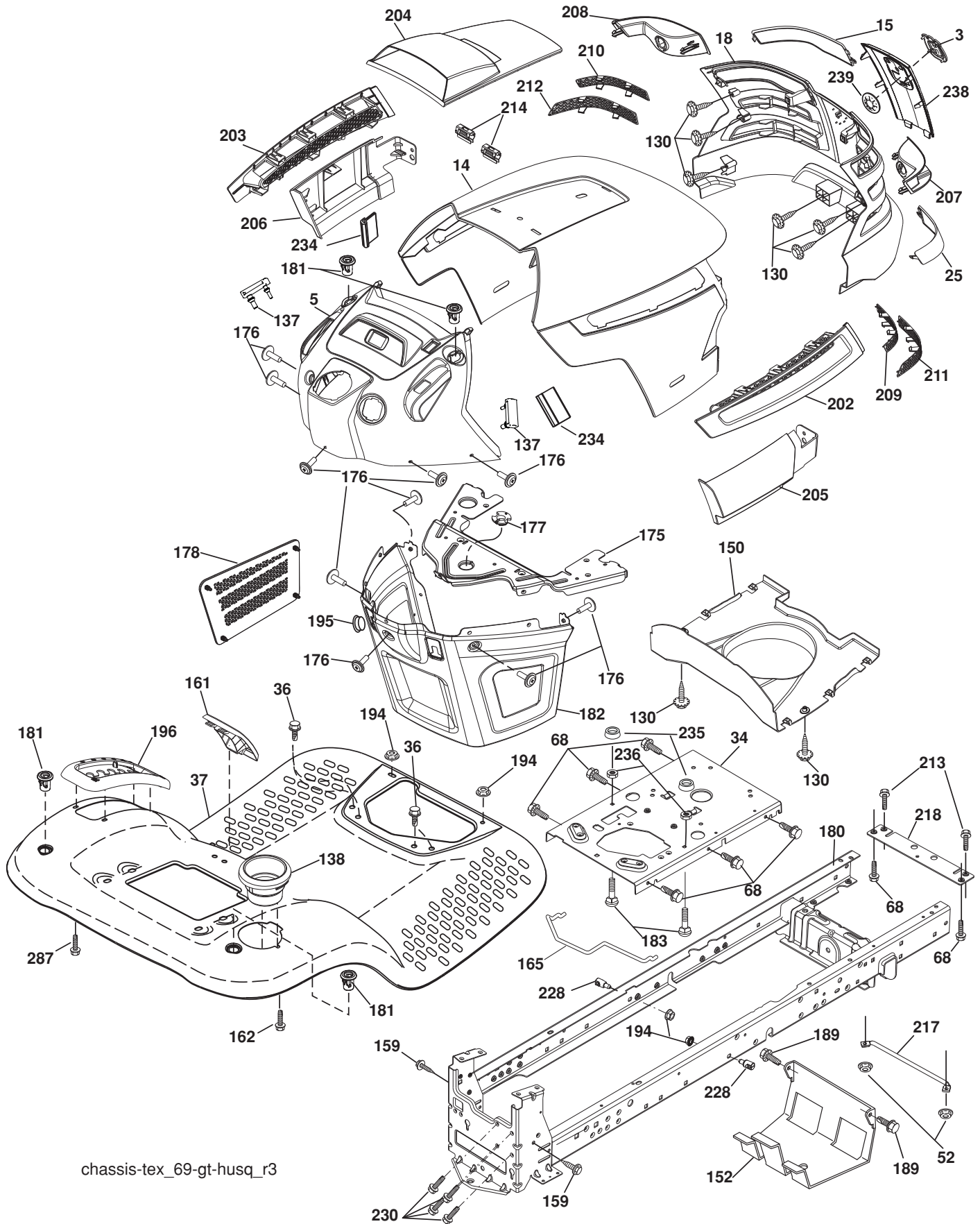


**TRACTOR - - MODEL NUMBER YTH2246 (96043004100), PRODUCT NO. 960 43 00-41
ELECTRICAL**

KEY NO.	PART NO.	DESCRIPTION
1	532 16 34-65	Battery
2	874 76 04-12	Bolt Hex Head 1/4-20 x 3/4
8	532 18 64-91	Box Battery
16	532 17 61-38	Switch Interlock Push-In
21	532 18 37-59	Harness Socket Light W/4152J
22	532 00 41-52	Bulb Light
24	532 40 02-53	Cable Battery
25	532 41 28-95	Cable Starter
26	532 17 51-58	Fuse
27	873 51 04-00	Nut Keps Hex 1/4-20 unc
28	532 14 54-91	Cable, Ground
29	532 40 15-45	Switch, Seat
30	532 19 33-50	Switch, Ign
33	532 41 19-35	Key/Chain
34	532 11 07-12	Switch Light / Reset
40	532 40 10-98	Harness Ign. Dash
41	817 72 04-08	Screw Thd Cut 1/4-20 x 1/2
42	532 13 15-63	Cover, Terminal
43	532 19 25-07	Solenoid
46	532 40 17-63	Gauge Hourmeter
55	817 06 05-12	Screw Thdrol 5/16-18 x 3/4 TYTT
71	532 19 42-76	Harness Ign. Chassis
79	532 17 52-42	Socket Asm Bulb Twistlock
87	532 19 78-02	Switch Interlock Clutch Cable
90	532 40 07-24	Cover Terminal
91	532 19 02-70	Strap Battery Mount Front
99	817 67 04-12	Screw HEXWSH THDROL 1/4-20 x 3/4
100	819 09 14-16	Washer 9/32 x 7/8 x 16 Ga.
141	532 41 69-77	Kit T2 ROS

NOTE: All component dimensions given in U.S. inches
1 inch = 25.4 mm

**TRACTOR -- MODEL NUMBER YTH2246 (96043004100), PRODUCT NO. 960 43 00-41
CHASSIS**



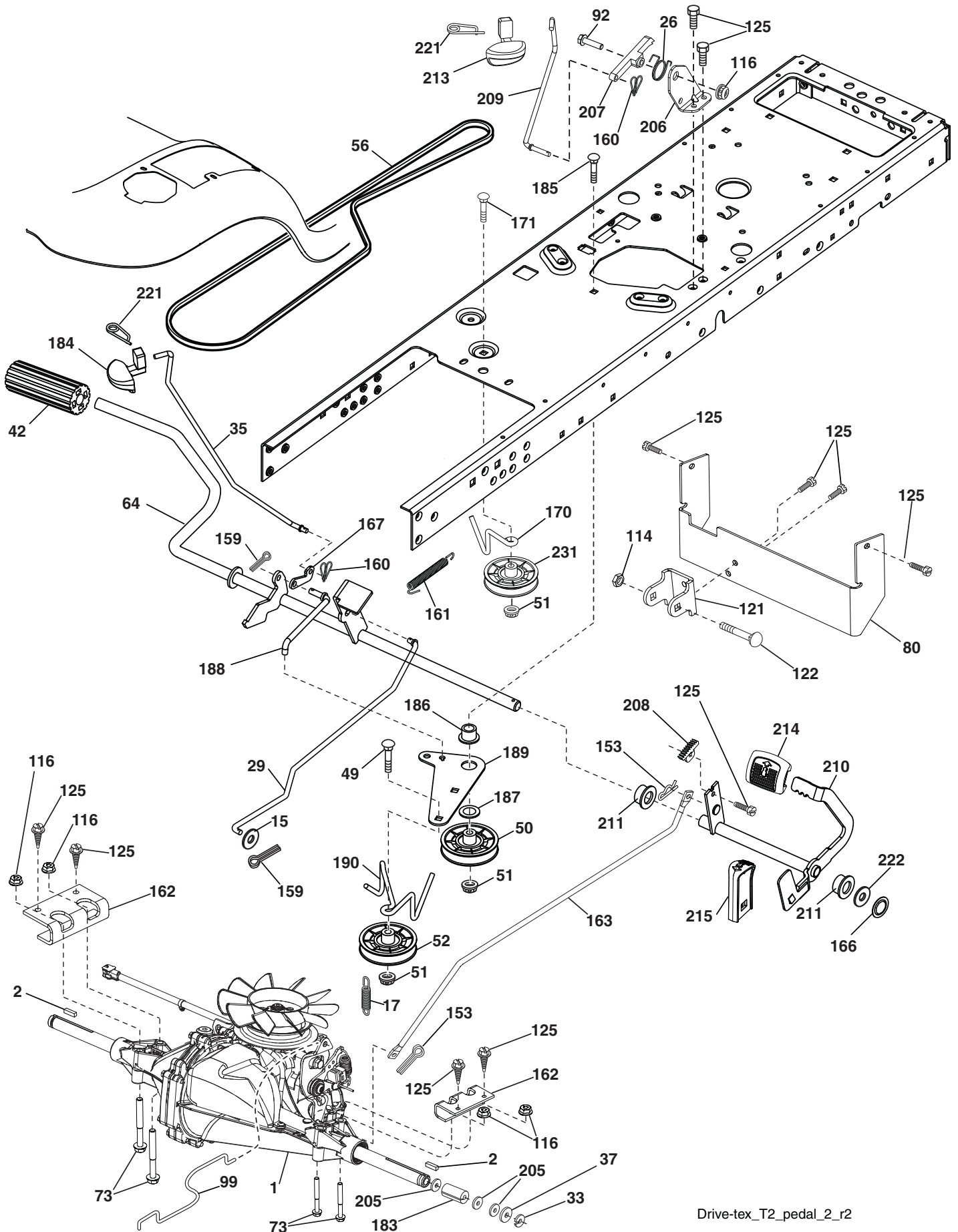
chassis-tex_69-gt-husq_r3

**TRACTOR -- MODEL NUMBER YTH2246 (96043004100), PRODUCT NO. 960 43 00-41
CHASSIS**

KEY NO.	PART NO.	DESCRIPTION	KEY NO.	PART NO.	DESCRIPTION
3	532 40 50-12	Logo	194	873 90 05-00	Nut Lock Hex Flange 5/16-18
5	532 40 87-02	Dash	195	532 40 41-37	Plug Hole Dash Lower
14	532 41 10-46	Hood	196	532 41 45-80	Console Asm. Deck Lift
15	532 19 89-07	Lens LH	202	532 40 30-48	Vent Side Hood RH
18	532 40-86-07	Grille/Lens Asm.	203	532 40 30-76	Vent Side Hood LH
25	532 19 89-06	Lens RH	204	532 41 66-13	Vent Top Hood
34	532 19 61-25	Plate Engine	205	532 40 17-09	Skirt Hood Side RH
36	817 06 05-12	Screw 5/16-18 x 3/4	206	532 40 17-11	Skirt Hood Side LH
37	532 41 86-73	Fender	207	532 19 71-98	Bezel RH
52	873 68 05-00	Nut Lock 5/16-18	208	532 19 71-99	Bezel LH
68	817 49 05-08	Screw Thdrol 5/16-18 x 1/2	209	532 19 91-30	Insert Hex Top RH
130	532 41 63-58	Screw #10 x 0.750 BOS Thread	210	532 19 91-31	Insert Hex Top Lh
137	532 40 75-90	Bumper Dash	211	532 19 91-32	Insert Hex Bottom RH
138	532 40 29-54	Cupholder	212	532 19 91-33	Insert Hex Bottom LH
150	532 19 85-12	Air Duct	213	874 76 05-12	Bolt 5/16-18 x 3/4
152	532 19 95-35	Shield Browning	214	532 19 91-45	Clip Retainer Tinner
159	817 00 06-12	Screw Hexwsh Thdr 3/8-16 x 3/4	217	532 40 91-67	Rod Pivot
161	532 40 96-27	Window Fuel	218	532 19 63-95	X-Piece Hood Stop
162	532 14 24-32	Screw	228	532 19 51-61	Stud Fastner
165	532 19 68-26	Support Tank Rear	230	532 17 01-65	Bolt Shoulder 5/16-18
175	532 19 63-04	Crossmember	234	532 40 47-42	Bumper Hood
176	532 40 07-76	Screw 10-24 x 5/8	235	532 40 61-29	Spacer Fender
177	532 19 52-27	Bushing Steering	236	873 93 05-00	Nut Lock 5/16-18 unc
178	532 19 97-82	Cargo Net Asm.	238	532 40 86-06	Trim
180	532 19 54-57	Chassis	239	532 11 04-52	Nut, Push
181	532 40 30-25	Bushing Mtg. Fender Crgo	287	817 60 04-06	Screw Hex Washhead 1/4-20 x 3/8
182	532 40 68-59	Dash Lower			
183	874 78 05-20	Bolt Fin Hex 5/16-18 unc x 1-1/4			
189	817 00 05-12	Screw 5/16-18 x 3/4			

NOTE: All component dimensions given in U.S. inches
1 inch = 25.4 mm

**TRACTOR -- MODEL NUMBER YTH2246 (96043004100), PRODUCT NO. 960 43 00-41
DRIVE**

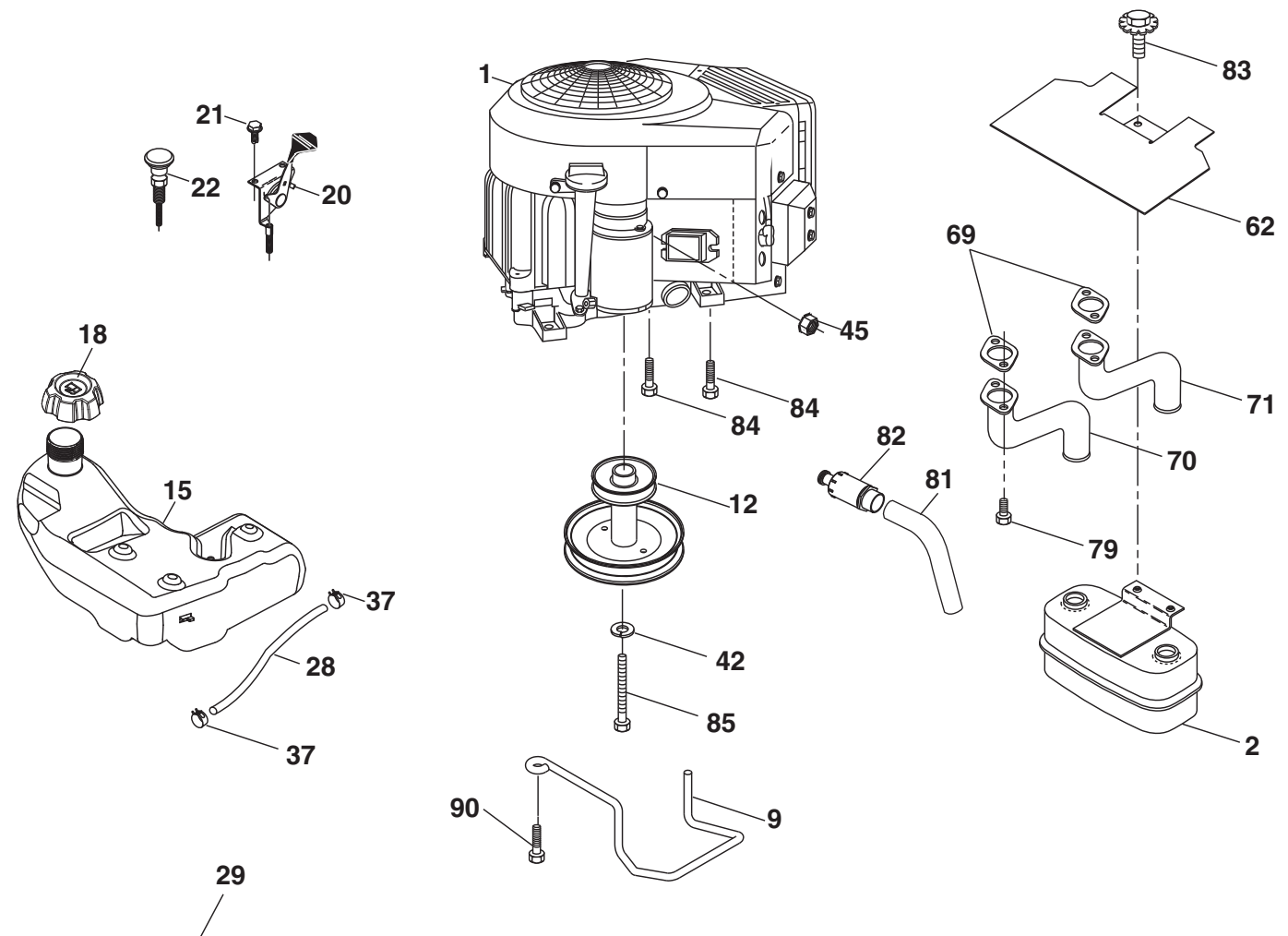


**TRACTOR -- MODEL NUMBER YTH2246 (96043004100), PRODUCT NO. 960 43 00-41
DRIVE**

KEY NO.	PART NO.	DESCRIPTION	KEY NO.	PART NO.	DESCRIPTION
1	532 41 00-43	Transaxle, Hydro GR T2 (Order Parts from Transaxle Manufacturer)	162	532 40 87-84	Spacer Transaxle
2	532 12 35-83	Key Square	163	532 41 33-22	Rod Pedal Control
15	819 13 13-16	Washer 13/32 x 13/16 x 16 Ga.	166	532 19 72-90	Nut Push
17	532 19 72-96	Spring, Brake	167	532 40 52-57	Latch Brake Parking
26	532 19 96-79	Spring Return Cruise	170	532 41 34-30	Keeper Belt Centerspan
29	532 40 83-91	Rod, Brake	171	872 11 06-22	Bolt
33	812 00 00-01	Ring E	183	532 15 69-72	Spacer Axle
35	532 19 95-91	Rod, Brake, Park	184	532 40 31-18	Handle Parking Brake
37	532 12 17-49	Washer 25/32 x 1-5/8 x 16 Ga.	185	872 11 06-20	Bolt
42	532 12 48-72	Cover, Foot Pedal	186	532 19 43-21	Spacer Retainer
49	872 11 06-14	Bolt	187	819 13 32-10	Washer
50	532 19 43-27	Pulley Idler Flat	188	532 19 43-23	Link Clutch Ground Drive
51	873 90 06-00	Lock Nut 3/8-16	189	532 19 43-17	Bellcrank Ground Drive
52	532 19 43-26	Idler V-Groove 910" Offset	190	532 19 43-18	Keeper Bellcrank Ground Drive
56	532 12 59-07	V-Belt, Drive	205	532 12 17-48	Washer 25/32 x 1-5/8 16 Ga.
64	532 19 78-65	Shaft Asm. Pedal Brake Control	206	532 19 78-67	Bracket Mount Latch Cruise
73	874 49 05-44	Bolt	207	532 19 78-68	Latch Control Cruise
80	532 40 83-93	Strap Torque	208	532 19 78-69	Gear Sector Control Cruise
92	874 76 05-20	Bolt Fin Hex 5/16-18 unc x 1.25	209	532 19 95-92	Rod Control Cruise
99	532 40 84-18	Rod Asm Bypass Spring	210	532 40 09-80	Rockr Asm. Pedal Control
116	873 90 05-00	Nut Lock Hex Flange 5/16-18	211	532 12 01-83	Bearing Nylon
121	872 01 05-20	Bolt 5/16-18 x 2.50	213	532 40 31-19	Knob control Cruise
122	532 17 56-11	Bracket Strap Torque	214	532 40 17-22	Pad Pedal Forward
125	817 00 05-12	Screw 5/16-18 x 3/4	215	532 40 17-23	Pad Pedal Reverse
141	873 80 05-00	Nut Lock Hx w/lns 5/16-18 unc	216	532 19 61-31	Bracket Pulley Idler
143	817 49 05-08	Screw 5/16-18 x 1/2	221	532 40 31-87	Retainer Spring Clip
153	532 12 47-88	Retainer Spring	222	879 21 20-10	Washer 21/32 x 1-1/4 10 Ga.
159	876 02 04-12	Pin Cotter 1/8 x 3/4	231	532 40 72-87	Idler V-Groove 1.688" OFFSET
160	532 16 94-84	Retainer Clip			
161	532 10 57-09	Spring, Return, Clutch			

NOTE: All component dimensions given in U.S. inches
1 inch = 25.4 mm

**TRACTOR -- MODEL NUMBER YTH2246 (96043004100), PRODUCT NO. 960 43 00-41
ENGINE**



SPARK ARRESTER KIT

engine-tex_bs-2cyl_6

**TRACTOR - - MODEL NUMBER YTH2246 (96043004100), PRODUCT NO. 960 43 00-41
ENGINE**

KEY NO.	PART NO.	DESCRIPTION
1	-----	Engine Briggs Model No. 441777
2	532 14 97-23	Muffler
9	532 19 43-19	Keeper Belt Engine
12	532 40 51-40	Pulley Engine
15	532 40 00-21	Tank Fuel
18	532 19 42-67	Cap Asm
20	532 17 83-85	Control Throttle
21	532 41 63-58	Screw #10 x 0.750 BOS Thread
22	537 19 15-96	Control Choke
28	532 40 11-35	Fuel Line
29	532 13 71-80	Spark Arrester Kit
37	532 12 34-87	Clamp Hose
42	810 04 07-00	Washer Lock 7/16
45	873 51 04-00	Nut Keps Hex 1/4-20 unc
62	532 14 66-29	Shield Heat Muffler
69	532 16 53-91	Gasket
70	532 15 99-55	Exhaust Tube LH
71	532 16 05-89	Exhaust Tube RH
79	532 18 39-06	Screw Socket Head
81	532 14 84-56	Tube Drain Oil Easy
82	532 18 16-54	Plug Drain Oil
83	537 17 18-77	Bolt 5/16-18 UNC x 3/4 w/Sems
84	817 06 06-20	Screw 3/8-16 x 1-1/4
85	532 17 39-37	Bolt Hex 7/16-20 x 4 x Gr. 5-1.5 Thr
90	817 00 06-16	Screw 3/8-16 x 1

NOTE: All component dimensions given in U.S. inches
1 inch = 25.4 mm

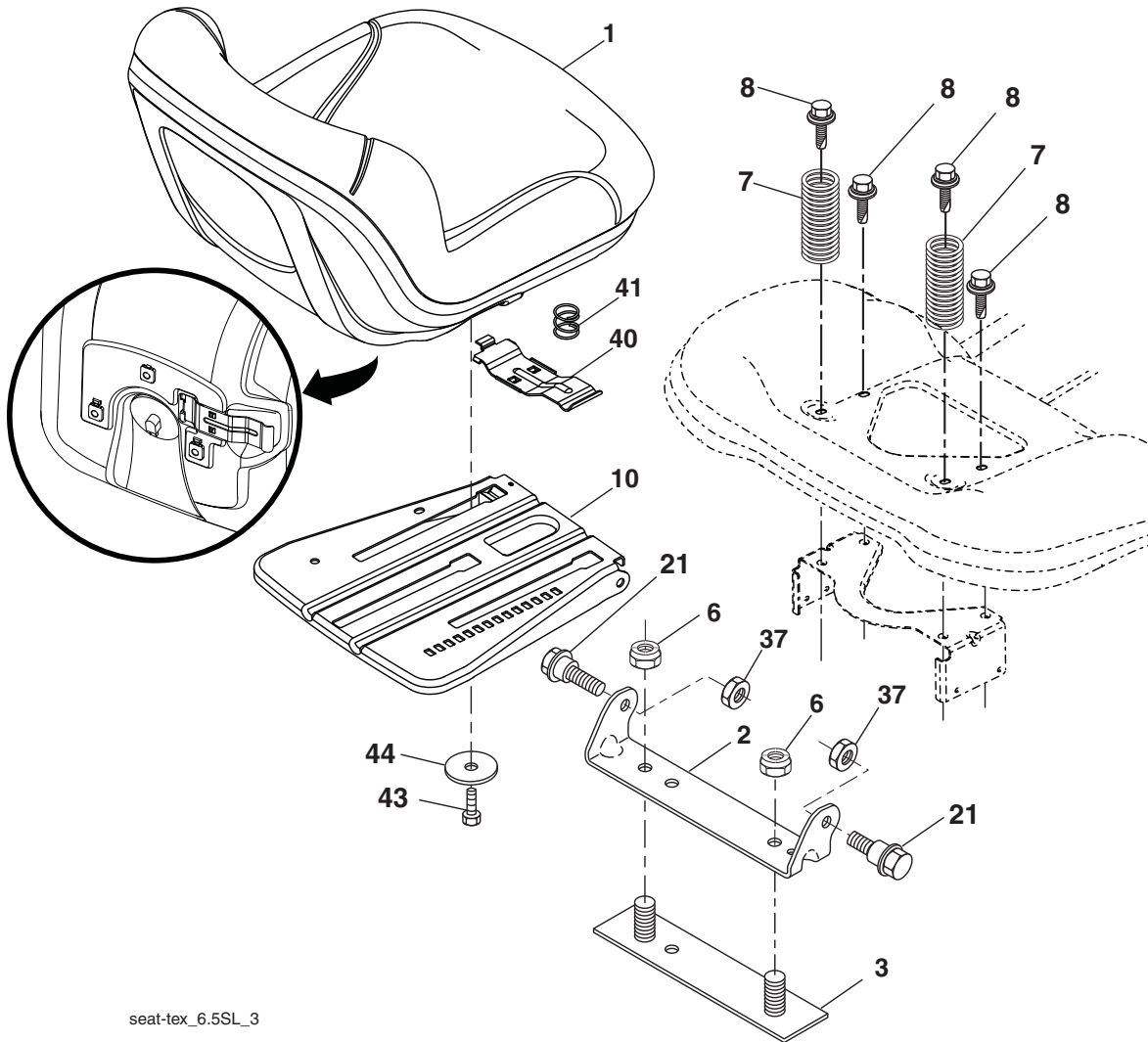
For engine service and replacement parts, call the toll free number for your engine manufacturer listed below:

Briggs & Stratton 1-800-233-3723

Engine Power Rating Information

The gross power rating for individual gas engine models is labeled in accordance with SAE (Society of Automotive Engineers) code J11940 (Small Engine Power & Torque Rating Procedure), and rating performance has been obtained and corrected in accordance with SAE J1995 (Revision 2002-5). Actual gross engine power will be lower and is affected by, among other things, ambient operating conditions and engine-to-engine variability. Given both the wide array of products on which engines are placed and the variety of environmental issues applicable to operating the equipment, the gas engine will not develop the rated gross power when used in a given piece of power equipment (actual "on-site" or net horsepower). This difference is due to a variety of factors including, but not limited to, accessories (air cleaner, exhaust, charging, cooling, carburetor, fuel pump, etc.), application limitations, ambient operating conditions (temperature, humidity, altitude), and engine-to-engine variability. Due to manufacturing and capacity limitations, Briggs & Stratton may substitute an engine of higher rated power for this Series engine.

**TRACTOR -- MODEL NUMBER YTH2246 (96043004100), PRODUCT NO. 960 43 00-41
SEAT ASSEMBLY**



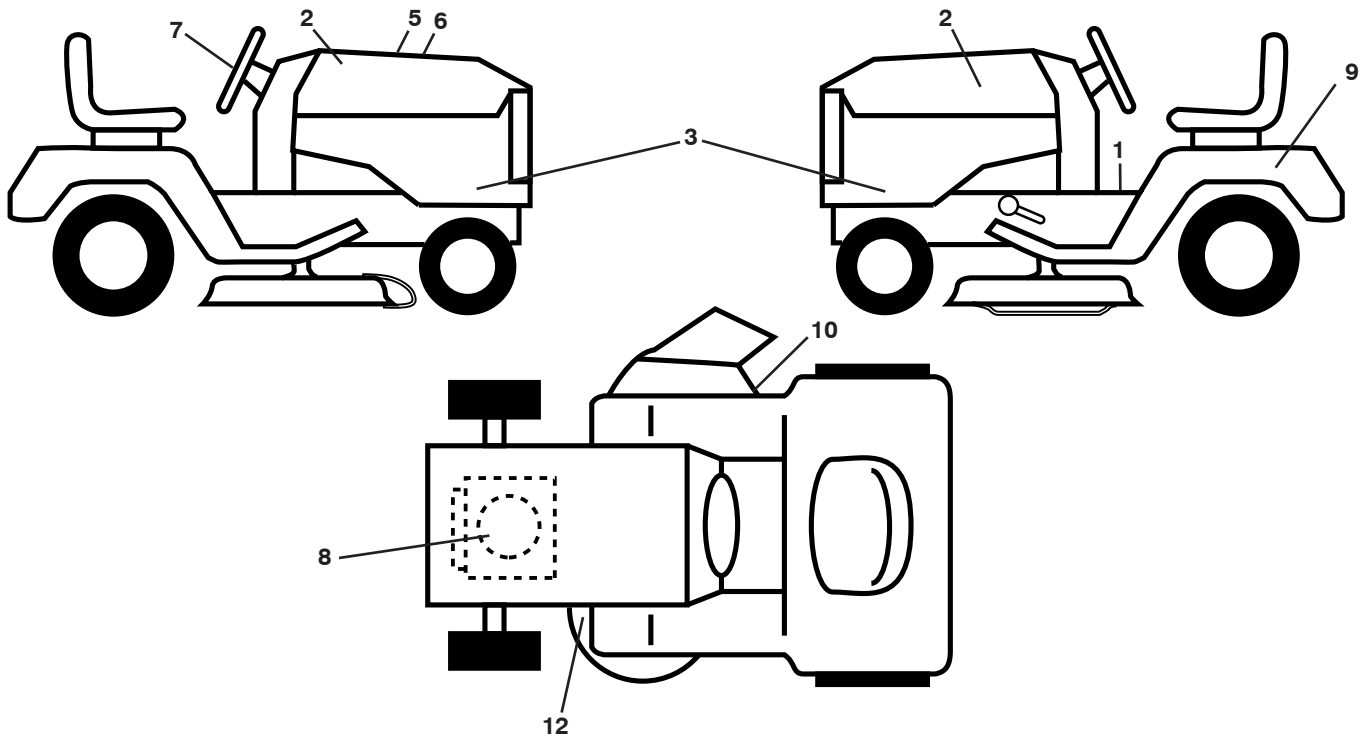
seat-tex_6.5SL_3

KEY NO.	PART NO.	DESCRIPTION
1	532 40 66-21	Seat
2	532 18 01-66	Bracket Pivot Fender
3	532 14 06-75	Strap, Asm Fender
6	873 80 06-00	Nut, Lock W/Ins. 3/8-16 unc
7	532 12 41-81	Spring, Seat Cprsn
8	532 17 18-77	Bolt 5/16-18 uncx 3/4 w/Sems
10	532 19 69-77	Pan, Seat
21	532 17 18-52	Bolt, Shoulder 5/16-18

KEY NO.	PART NO.	DESCRIPTION
37	873 80 05-00	Nut, Lock 5/16-18 unc
40	532 19 76-61	Handle Slide Seat
41	532 19 82-00	Spring Latch Seat
43	874 76 06-12	Bolt Fin Hex 3/8-16 unc x 3/4
44	819 13 38-12	Washer 13/32 x 2-3/8 x 12 Ga.

NOTE: All component dimensions given in U.S. inches
1 inch = 25.4 mm

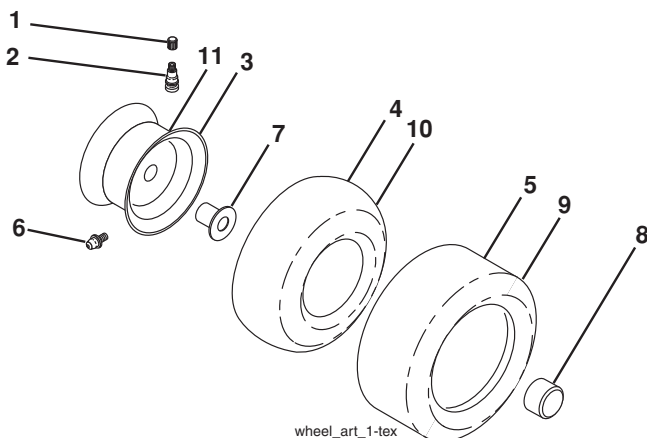
**TRACTOR -- MODEL NUMBER YTH2246 (96043004100), PRODUCT NO. 960 43 00-41
DECALS**



KEY NO.	PART NO.	DESCRIPTION
1	532 41 16-58	Decal, Operators
2	532 41 68-38	Decal, Hood
3	532 40 83-60	Decal, Hood Panel SD
5	532 18 09-41	Decal, Customer Response
6	532 41 84-92	Decal, Replacement
7	532 40 44-84	Decal, Steering Wheel
8	532 40 88-40	Decal, Engine HP
9	532 14 50-05	Decal, Battery Dnge/Poi

KEY NO.	PART NO.	DESCRIPTION
10	532 17 05-63	Decal, Warning
12	532 16 03-96	Decal, Mower V-Belt Schematic
--	532 16 69-60	Decal, Bypass
--	532 41 08-05	Pad, Footrest, LH
--	532 41 08-06	Pad, Footrest, RH
--	532 41 85-29	Manual, Owner's (English)
--	532 41 85-30	Manual, Owner's (French)

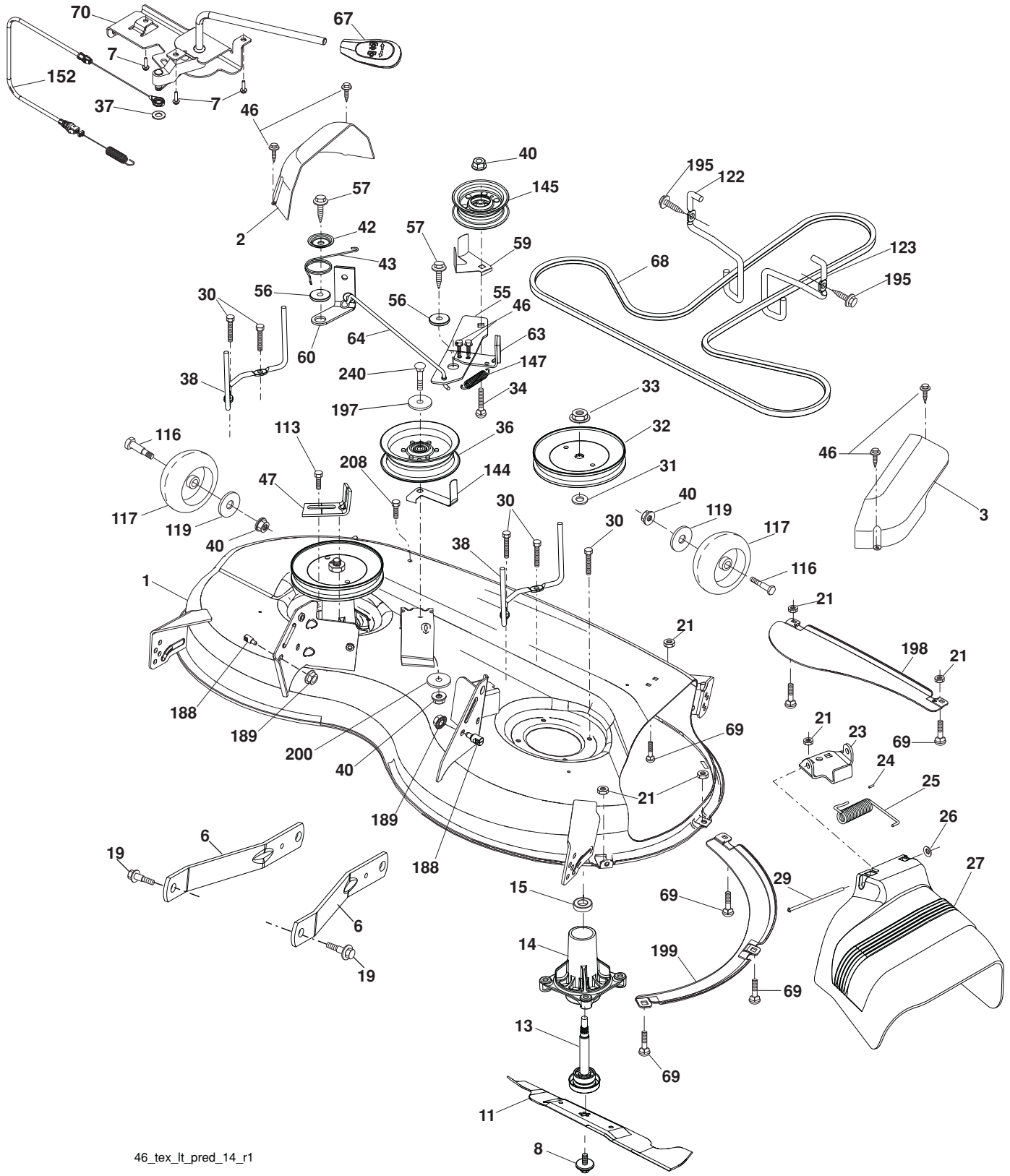
WHEELS AND TIRES



KEY NO.	PART NO.	DESCRIPTION
1	532 05 91-92	Cap Valve Tire
2	532 06 51-39	Stem Valve
3	532 13 83-36	Rim Front
4	532 05 99-04	Tube Front (Service Item Only)
5	532 10 62-22	Tire Front 15 x 6.0-6
6	532 12 49-57	Fitting Grease (Front Wheel Only)
7	532 12 49-59	Bearing Flange (Front Wheel Only)
8	532 17 50-39	Cap Axle Blk 1 50 x 1 00
9	532 10 62-68	Tire Rear 18 x 9.5-8 "Turf Saver"
--	532 42 05-31	Tire Rear 18 x 9.5-8 "Turf Saver LT"
10	532 12 49-26	Tube Rear (Service Item Only)
11	532 13 83-37	Rim Asm 8" rear
--	532 14 43-34	Sealant, Tire (10 oz. Tube)

NOTE: All component dimensions given in U.S. inches
1 inch = 25.4 mm

**TRACTOR -- MODEL NUMBER YTH2246 (96043004100), PRODUCT NO. 960 43 00-41
MOWER DECK**



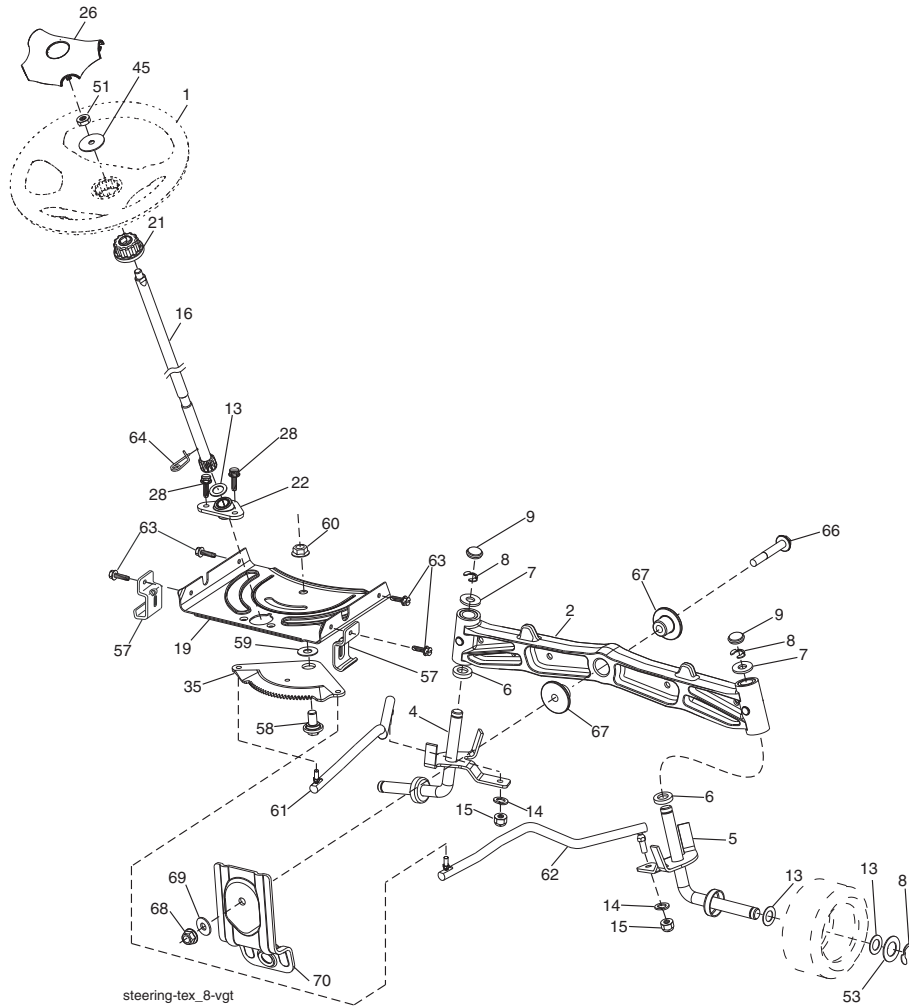
46_tex_lt_pred_14_r1

**TRACTOR -- MODEL NUMBER YTH2246 (96043004100), PRODUCT NO. 960 43 00-41
MOWER DECK**

KEY PART NO. NO.	DESCRIPTION	KEY PART NO. NO.	DESCRIPTION
1 532 41 14-60	Mower Housing	60 532 19 94-71	Arm Brake Mower LH
2 532 40 55-06	Cover Mandrel RH	63 532 19 94-77	Arm Brake Mower
3 532 40 55-07	Cover Mandrel LH	64 532 40 51-39	Linkage Brake
6 532 19 51-86	Arm Suspension	67 532 40 30-12	Handle, Clutch Cable
7 532 41 63-58	Screw #10 x 0.750 BOS Thread	68 532 40 51-43	V-Belt
8 532 19 30-03	Bolt/Washer asm 7/16-20 unf	69 872 14 05-05	Bolt
11 532 40 53-80	Blade Mower	70 532 40 65-63	Clutch Asm. Cable
13 532 19 28-72	Shaft Assembly, Mandrel	113 817 00 05-10	Screw 5/16-18
14 532 18 72-81	Housing, Mandrel	116 532 19 34-06	Bolt, Shoulder
15 532 11 04-85	Bearing, Ball, Mandrel	117 532 17 48-73	Wheel, Gauge
19 532 19 65-39	Bolt, Shoulder	119 819 13 20-12	Washer 13/32 x 1-1/4 x 12 Ga.
21 873 68 05-00	Nut	122 532 19 72-58	Keeper Belt Eng. LH
23 532 19 25-57	Bracket, Deflector	123 532 19 72-59	Keeper Belt Eng. RH
24 532 10 53-04	Cap, Sleeve	144 532 19 92-04	Keeper Belt
25 532 19 70-26	Spring, Torsion, Deflector	145 532 19 31-97	Pulley Idler
26 532 11 04-52	Nut, Push	147 532 40 18-72	Spring Return
27 532 40 53-57	Shield, Deflector	152 532 40 83-19	Cable Clutch CBL w/SPR
29 532 13 14-91	Rod, Hinge	188 532 19 51-61	Stud Fastener
30 532 17 39-84	Screw Thdrol Rolling Wsh Hd	189 873 90 05-00	Nut Lock Hex Flange
31 532 18 76-90	Washer, Spacer	195 817 00 06-12	Screw 3/8-16 x 3/4
32 532 19 74-73	Pulley, Mandrel	197 819 13 13-12	Washer 13/32 x 13/16 x 12 Ga.
33 532 40 02-34	Nut, Toplock, Flanged	198 532 40 31-49	Baffle Center Front
34 872 11 06-12	Bolt Carr Sh. 3/8-16 x 1-1/2 Gr. 5	199 532 40 31-50	Baffle Front RH
36 532 19 73-79	Pulley, Idler	200 532 41 35-24	Washer 13/32 x 1 x 1/2 11GAHRD
37 819 13 13-16	Washer 13/32 x 13/16 x 16 Ga.	208 817 67 06-08	Screw 3/8-16 x 1/2
38 532 19 91-89	Keeper Belt LH Mandrel	240 874 52 06-36	Bolt 3/8-16 unc x 2-1/4 Gr. 5
40 873 90 06-00	Nut, Lock Flg. 3/8-16 unc	-- 532 19 28-70	Mandrel Assembly (Includes housing, shaft assembly, and bearing only - pulley/nut/washer and blade bolt/washers not included)
42 532 19 84-10	Spring Trosion Brake		
43 532 19 72-56	Spring Torsion Retainer		
46 532 13 77-29	Screw		
47 532 19 72-50	Bracket Clutch Cable		
55 532 19 72-49	Arm, Idler	-- 532 41 86-38	Replacement Mower, Complete
56 532 19 90-92	Spacer, Retainer		
57 817 00 06-16	Screw Hexwsh Thd 3/8-16 x 1		
59 532 14 10-43	Guard, Tuv Idler (94)		

NOTE: All component dimensions given in U.S. inches
1 inch = 25.4 mm

**TRACTOR -- MODEL NUMBER YTH2246 (96043004100), PRODUCT NO. 960 43 00-41
STEERING ASSEMBLY**

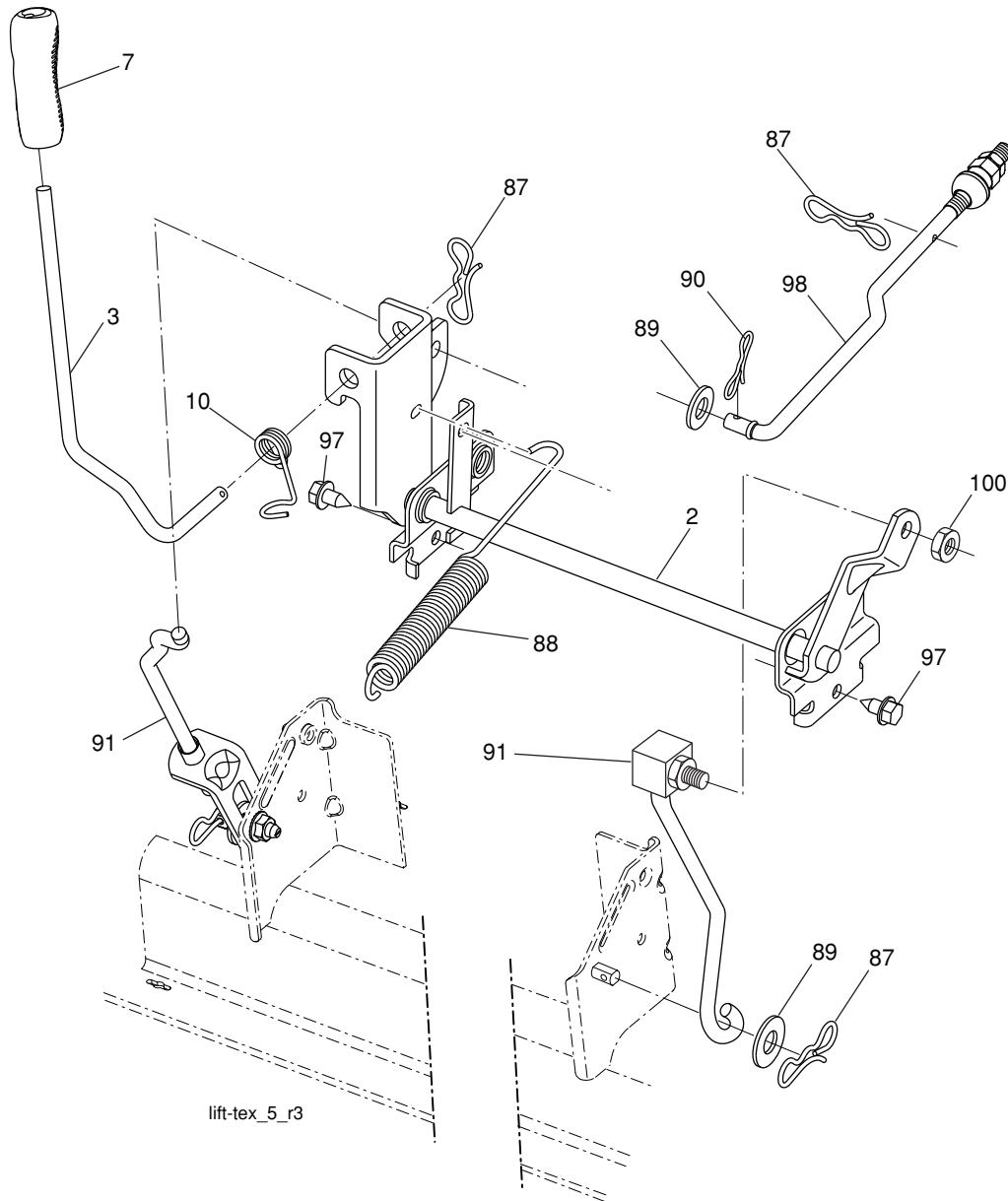


KEY NO.	PART NO.	DESCRIPTION
1	532 19 39-43	Wheel, Steering
2	532 19 59-68	Axle Asm., Front
4	532 40 30-87	Spindle Asm., LH
5	532 40 30-88	Spindle Asm., RH
6	532 12 49-31	Bearing, Race Thrust Harden
7	532 12 17-48	Washer 25/32 x 1-5/8 x 16 Ga.
8	812 00 00-29	Ring, Klip #T5304-75
9	532 12 12-32	Cap, Spindle
13	532 12 17-49	Washer 25/32 x 1-1/4 x 16 Ga.
14	810 04 06-00	Washer, Lock Hvy Hlcl Spr 3/8
15	873 54 06-00	Nut, Crown Lock 3/8-24 unf
16	532 40 82-19	Shaft Steering
19	532 19 47-29	Plate Steering
21	532 18 67-37	Adapter, Wheel Steering
22	532 19 48-45	Bushing, Strg. Blk
26	532 19 36-52	Insert, Wheel Steering
28	817 00 06-12	Screw 3/8-16 x 3/4
35	532 19 47-32	Gear, Sector Plate
45	819 18 38-12	Washer 9/16 ID x 2-3/8 OD 12 Ga.

KEY NO.	PART NO.	DESCRIPTION
51	873 94 08-00	Nut Hex Jam Toplock 1/2-20 unf
53	532 18 89-67	WasherHardened.793x1.637x.060
57	532 40 74-65	Bracket Upstop
58	532 19 47-47	Bolt Shoulder Sector Pivot CFM
59	532 19 47-48	Washer Thrust Sector Steering
60	873 97 10-00	Nut Flange Lock 5/8-11
61	532 19 47-40	Draglink LH
62	532 19 47-41	Draglink, RH
63	817 00 05-12	Screw 5/16-18 x 3/4
64	532 19 98-49	Retainer Clip Spring Steering
66	871 02 07-48	Bolt Hex Fghd 7/16-14 x 3 Serr
67	532 19 47-37	Bushing PM Front Axle
68	873 90 07-00	Nut Lock Flange 7/16-14 Gr. 5
69	532 19 91-62	Washer 1.5 x .505 x .118
70	532 19 61-97	Bracket Deck Susp. Front

NOTE: All component dimensions given in U.S. inches
1 inch = 25.4 mm

**TRACTOR -- MODEL NUMBER YTH2246 (96043004100), PRODUCT NO. 960 43 00-41
MOWER LIFT**



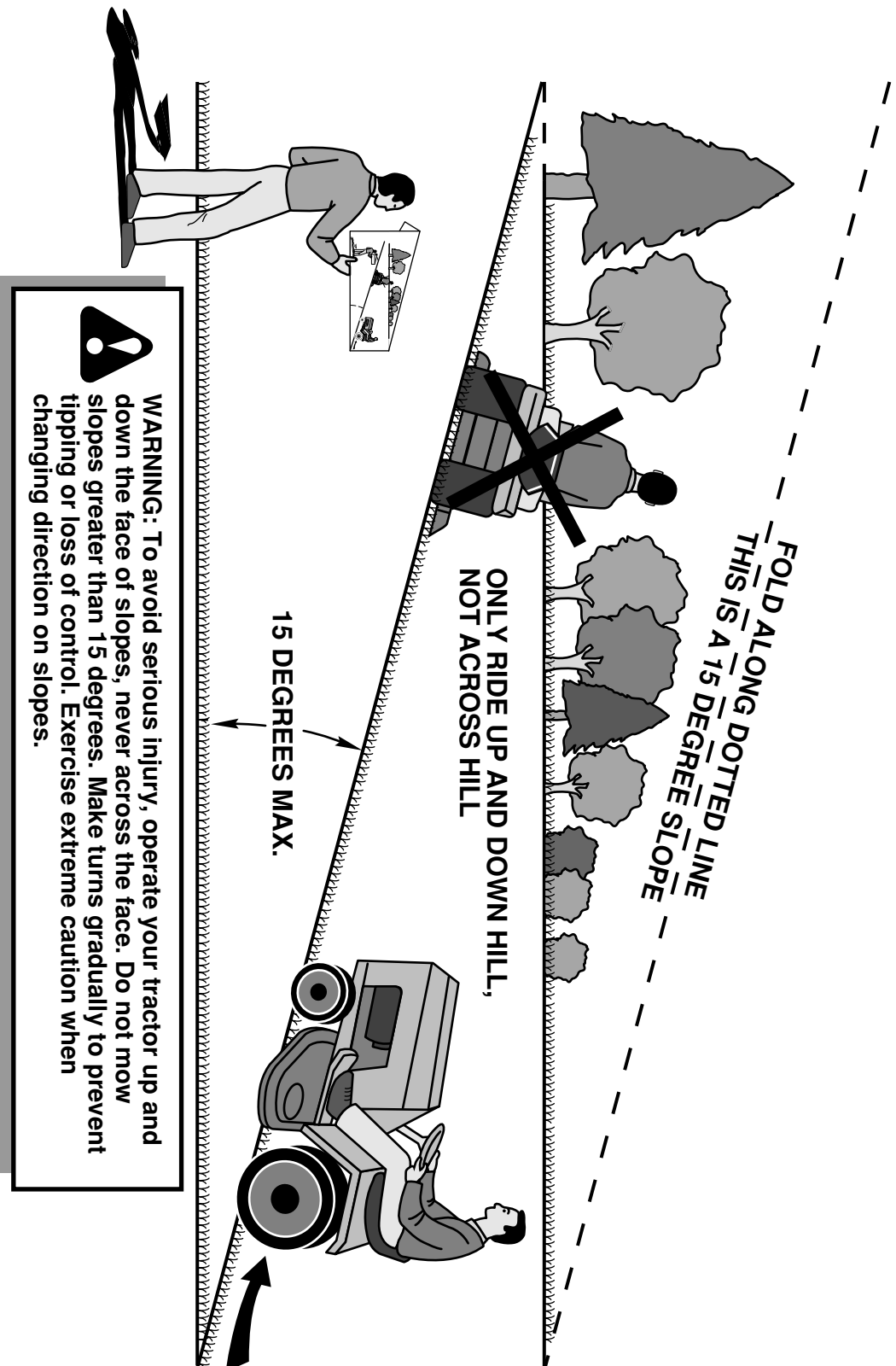
KEY NO.	PART NO.	DESCRIPTION
2	532 19 52-23	Shaft Asm., Lift
3	532 19 52-31	Lever Asm., Lift Rh
7	532 41 15-55	Grip, Lever
10	532 19 63-14	Spring Torsion
87	532 19 42-09	Pin Cotter 7/16 Bow Tie Lock
88	532 41 07-10	Spring Lift Assist
89	819 19 19-12	Washer Clear Zinc

KEY NO.	PART NO.	DESCRIPTION
90	532 19 42-08	Pin Cotter 5/16 Bow Tie Lock
91	532 19 51-81	Link Lift Susp Mower Rear
97	817 00 06-12	Screw 3/8-16 x .75
98	532 19 52-70	Link Lift Susp. Front Mower
100	873 93 06-00	Nut Center Lock 3/8-16 UNC

NOTE: All component dimensions given in U.S. inches
1 inch = 25.4 mm

SERVICE NOTES

SUGGESTED GUIDE FOR SIGHTING SLOPES FOR SAFE OPERATION



1. Fold this page along dotted line indicated above.
2. Hold page before you so that its left edge is vertically parallel to a tree trunk or other upright structure.
3. Sight across the fold in the direction of hill slope you want to measure.
4. Compare the angle of the fold with the slope of the hill.

Free Manuals Download Website

<http://myh66.com>

<http://usermanuals.us>

<http://www.somanuals.com>

<http://www.4manuals.cc>

<http://www.manual-lib.com>

<http://www.404manual.com>

<http://www.luxmanual.com>

<http://aubethermostatmanual.com>

Golf course search by state

<http://golfingnear.com>

Email search by domain

<http://emailbydomain.com>

Auto manuals search

<http://auto.somanuals.com>

TV manuals search

<http://tv.somanuals.com>