

KENWOOD

KDC-X579 KDC-MPV525 KDC-MPV5025 KDC-MP425

CD-RECEIVER

INSTRUCTION MANUAL

AMPLI-TUNER-LECTEUR DE CD

MODE D'EMPLOI

REPRODUCTOR DE DISCOS COMPACTOS RECEPTOR DE FM/AM

MANUAL DE INSTRUCCIONES

KENWOOD CORPORATION

**Take the time to read through this instruction manual.
Familiarity with installation and operation procedures will help
you obtain the best performance from your new CD-receiver.
For your records**

Record the serial number, found on the back of the unit, in the spaces designated on the warranty card, and in the space provided below. Refer to the model and serial numbers whenever you call upon your KENWOOD dealer for information or service on the product.

Model KDC-X579, KDC-MPV525, KDC-MPV5025, KDC-MP425

Serial number _____



Contents

Warning	3	HD Radio control features	21
Safety precautions	4	Tuning	
Notes	6	Auto Memory Entry	
About CDs	7	Menu system	23
Notes on playing MP3/WMA	8	Menu System	
General features	10	Security Code	
Power		Touch Sensor Tone	
Selecting the Source		Manual Clock Adjustment	
Volume		DSI (Disabled System Indicator)	
System Q		Selectable Illumination	
Audio Control		Switching Display Type	
Speaker Setting		Illumination Color Setting	
Switching Display		Contrast Adjustment	
Station/Disc Naming (SNPS/DNPS)		Dimmer	
Auxiliary Input Display Setting		System Q Setting	
Subwoofer Output		Switching preout	
Theft Deterrent Faceplate		Built-in Amp Mute Setting	
TEL Mute		SIRIUS ID (ESN) display	
Tuner features	15	Dual Zone System	
Tuning Mode		Dual Zone System Setting	
Tuning		B.M.S. (Bass Management System)	
Direct Access Tuning		B.M.S. Frequency Offset	
Station Preset Memory		CRSC (Clean Reception System Circuit)	
Auto Memory Entry		Text Scroll	
Preset Tuning		CD Read Setting	
CD/MP3/WMA/External disc control features	17	AMP Control	
Playing External Disc		Receive mode Setting	
Playing CD & MP3/WMA		Tuning Mode	
Fast Forwarding and Reversing		Auto Memory Entry	
Track/File Search		Basic Operations of remote	29
Disc Search/Folder Search		Accessories/ Installation Procedure	31
Direct Track/File Search		Connecting Wires to Terminals	32
Direct Disc Search		Installation	33
Track/File/Disc/Folder Repeat		Removing the Unit	35
Scan Play		Troubleshooting Guide	36
Random Play		Specifications	39
Magazine Random Play			
Folder Select			
Text/Title Scroll			
DNPP (Disc Name Preset Play)			

▲ Warning

▲ CAUTION

Use of controls or adjustments or performance of procedures other than those specified herein may result in hazardous radiation exposure. In compliance with Federal Regulations, following are reproductions of labels on, or inside the product relating to laser product safety.

KENWOOD CORPORATION
2967-3, ISHIKAWA-CHO,
HACHIOJI-SHI
TOKYO, JAPAN

KENWOOD CORP. CERTIFIES THIS EQUIPMENT
CONFORMS TO DHHS REGULATIONS N0.21 CFR
1040. 10, CHAPTER 1, SUBCHAPTER J.

Location : Bottom Panel

FCC WARNING

This equipment may generate or use radio frequency energy. Changes or modifications to this equipment may cause harmful interference unless the modifications are expressly approved in the instruction manual. The user could lose the authority to operate this equipment if an unauthorized change or modification is made.

NOTE

This equipment has been tested and found to comply with the limits for a Class B digital device, pursuant to Part 15 of the FCC Rules. These limits are designed to provide reasonable protection against harmful interference in a residential installation. This equipment may cause harmful interference to radio communications, if it is not installed and used in accordance with the instructions. However, there is no guarantee that interference will not occur in a particular installation. If this equipment does cause harmful interference to radio or television reception, which can be determined by turning the equipment off and on, the user is encouraged to try to correct the interference by one or more of the following measures:

- Reorient or relocate the receiving antenna.
- Increase the separation between the equipment and receiver.
- Connect the equipment into an outlet on a circuit different from that to which the receiver is connected.
- Consult the dealer or an experienced radio/TV technician for help.

Safety precautions

▲WARNING

To prevent injury or fire, take the following precautions:

- Insert the unit all the way in until it is fully locked in place. Otherwise it may fall out of place when jolted.
- When extending the ignition, battery, or ground wires, make sure to use automotive-grade wires or other wires with a 0.75mm² (AWG18) or more to prevent wire deterioration and damage to the wire coating.
- To prevent a short circuit, never put or leave any metallic objects (such as coins or metal tools) inside the unit.
- If the unit starts to emit smoke or strange smells, turn off the power immediately and consult your Kenwood dealer.
- Make sure not to get your fingers caught between the faceplate and the unit.
- Be careful not to drop the unit or subject it to strong shock.
The unit may break or crack because it contains glass parts.
- Do not touch the liquid crystal fluid if the LCD is damaged or broken due to shock. The liquid crystal fluid may be dangerous to your health or even fatal.
If the liquid crystal fluid from the LCD contacts your body or clothing, wash it off with soap immediately.

▲CAUTION

To prevent damage to the machine, take the following precautions:

- Make sure to ground the unit to a negative 12V DC power supply.
- Do not open the top or bottom covers of the unit.
- Do not install the unit in a spot exposed to direct sunlight or excessive heat or humidity. Also avoid places with too much dust or the possibility of water splashing.
- Do not set the removed faceplate or the faceplate case in areas exposed to direct sunlight, excessive heat or humidity. Also avoid places with too much dust or the possibility of water splashing.
- To prevent deterioration, do not touch the terminals of the unit or faceplate with your fingers.
- Do not subject the faceplate to excessive shock, as it is a piece of precision equipment.
- When replacing a fuse, only use a new one with the prescribed rating. Using a fuse with the wrong rating may cause your unit to malfunction.
- To prevent a short circuit when replacing a fuse, first disconnect the wiring harness.
- Do not place any object between the faceplate and the unit.
- Do not apply excessive force to the open faceplate or place objects on it. Doing so will cause damage or breakdown.
- Do not use your own screws. Use only the screws provided. If you use the wrong screws, you could damage the unit.

About CD players/disc changers connected to this unit

KENWOOD disc changers/ CD players released in 1998 or later can be connected to this unit.

Refer to the catalog or consult your Kenwood dealer for connectable models of disc changers/ CD players.

Note that any KENWOOD disc changers/ CD players released in 1997 or earlier and disc changers made by other makers cannot be connected to this unit. Unsupported connection may result in damage. Setting the "O-N" Switch to the "N" position for the applicable KENWOOD disc changers/ CD players. The functions that can be used and the information that can be displayed will differ depending on the models being connected.



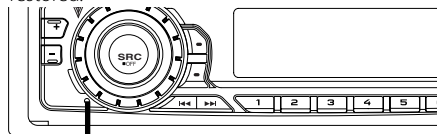
- You can damage both your unit and the CD changer if you connect them incorrectly.

Do Not Load 3-in. CDs in the CD slot

If you try to load a 3 in. CD with its adapter into the unit, the adapter might separate from the CD and damage the unit.

NOTE

- If you experience problems during installation, consult your Kenwood dealer.
- If the unit fails to operate properly, press the Reset button. The unit returns to factory settings when the Reset button is pressed. If the unit still fails to operate properly after the Reset button has been pressed, contact your local KENWOOD dealer for assistance.
- Press the reset button if the disc auto changer fails to operate correctly. Normal operation should be restored.



Reset button

- Characters in the LCD may become difficult to read in temperatures below 41 °F (5 °C).
- The illustrations of the display and the panel appearing in this manual are examples used to explain more clearly how the controls are used. Therefore, what appears on the display in the illustrations may differ from what appears on the display on the actual equipment, and some of the illustrations on the display may represent something impossible in actual operation.

Lens Fogging

Right after you turn on the car heater in cold weather, dew or condensation may form on the lens in the CD player of the unit. Called lens fogging, CDs may be impossible to play. In such a situation, remove the disc and wait for the condensation to evaporate. If the unit still does not operate normally after a while, consult your Kenwood dealer.

Notes

Cleaning the Unit

If the faceplate of this unit is stained, wipe it with a dry soft cloth such as a silicon cloth.

If the faceplate is stained badly, wipe the stain off with a cloth moistened with neutral cleaner, then wipe neutral detergent off.



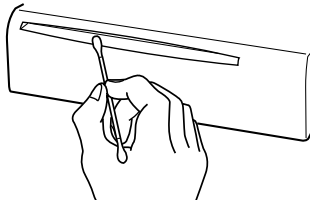
- Applying spray cleaner directly to the unit may affect its mechanical parts. Wiping the faceplate with a hard cloth or using a volatile liquid such as thinner or alcohol may scratch the surface or erase characters.

Cleaning the Faceplate Terminals

If the terminals on the unit or faceplate get dirty, wipe them with a dry, soft cloth.

Cleaning the CD Slot

As dust tends to accumulate in the CD slot, clean it every once in a while. Your CDs can get scratched if you put them in a dusty CD slot.



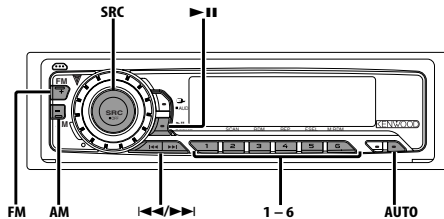
NOTE

This Class B digital apparatus complies with Canadian ICES-003.

About SIRIUS Satellite radio tuner

Refer to the instruction manual of SIRIUS Satellite radio tuner KTC-SR901/SR902 (optional accessory), when connected, for the operation method.

- Refer to the sections of A models for operations.



About CDs

Handling CDs

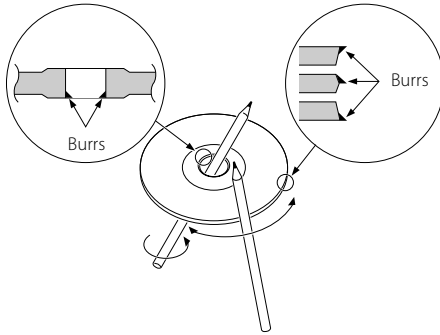
- Don't touch the recording surface of the CD.



- CD-R and CD-RW are easier to damage than a normal music CD. Use a CD-R or a CD-RW after reading the caution items on the package etc.
- Don't stick tape etc. on the CD. Also, don't use a CD with tape stuck on it.

When using a new CD

If the CD center hole or outside rim has burrs, use it after removing them with a ball pen etc.

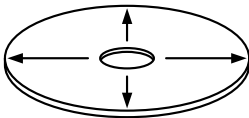


CD accessories

Don't use disc type accessories.

CD cleaning

Clean from the center of the disc and move outward.

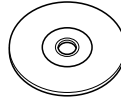


Removing CDs

When removing CDs from this unit pull them out horizontally.

CDs that can't be used

- CDs that aren't round can't be used.



- CDs with coloring on the recording surface or that are dirty can't be used.
- This unit can only play the CDs with



It may not correctly play discs which do not have the mark.

- A CD-R or CD-RW that hasn't been finalized can't be played. (For the finalization process refer to your CD-R/CD-RW writing software, and your CD-R/CD-RW recorder instruction manual.)

CD storage

- Don't place them in direct sunlight (On the seat or dashboard etc.) and where the temperature is high.
- Store CDs in their cases.

Notes on playing MP3/WMA

Note, however, that the MP3/WMA recording media and formats acceptable are limited. When writing MP3/WMA, pay attention to the following restrictions.

Acceptable media

The MP3/WMA recording media acceptable to this unit are CD-ROM, CD-R, and CD-RW.

When using CD-RW, do full format not quick format to prevent malfunction.

Acceptable medium formats

The following formats are available for the media used in this unit. The maximum number of characters used for file and folder name including the delimiter (".") and three-character extension are indicated in parentheses.

- ISO 9660 Level 1 (12 characters)
- ISO 9660 Level 2 (31 characters)
- Joliet (64 character; Up to 32 characters are displayed)
- Romeo (128 character; Up to 64 characters are displayed)
- Long file name (200 characters; Up to 64 characters are displayed)
- Maximum number of characters for folder name: 64 (Joliet; Up to 32 characters are displayed)

For a list of available characters, see the instruction manual of the writing software and the section Entering file and folder names below.

The media reproducible on this unit has the following limitations:

- Maximum number of directory levels: 8
- Maximum number of files per folder: 255
- Maximum number of folders: 50

MP3/WMA written in the formats other than the above may not be successfully played and their file names or folder names are not properly displayed.

Settings for your MP3/WMA encoder and CD writer

Do the following setting when compressing audio data in MP3/WMA data with the MP3/WMA encoder.

- Transfer bit rate: MP3: 8 —320 kbps
WMA: 48 —192 kbps
- Sampling frequency
MP3: 8, 11.025, 12, 16, 22.05, 24, 32, 44.1, 48 kHz
WMA: 32, 44.1, 48 kHz

When you use your CD writer to record MP3/WMA up to the maximum disc capacity, disable additional writing. For recording on an empty disc up to the maximum capacity at once, check Disc at Once.



- Play mode may not be possible when portions of the functions of Windows Media Player 9 or higher are used.

Entering ID3 tag

The Displayable ID3 tag is ID3 version 1.x.

For the character code, refer to the List of Codes.

0	1	2	3	4	5	6	7	8	9	A	B	C	D	E	F
0			0	@	P	3	D			■	°	À	Ä	à	ä
1			1	I	A	O	a	q		†	±	Å	Ñ	ã	ñ
2			"	2	B	R	b	r		€	²	Á	Ö	á	ö
3			#	3	C	S	c	s		£	³	Â	Ó	â	ó
4			\$	4	D	T	d	t		¤	´	Ä	Ö	ä	ö
5			%	5	E	U	e	u		¥	µ	À	Ö	ä	ö
6			&	6	F	V	f	v		¦	¶	Æ	O	æ	ö
7			'	7	G	W	g	w		§	·	Ç	×	ç	±
8			(8	H	X	h	x		¨	¸	È	Ö	è	ö
9)	9	I	Y	i	y		©	¹	É	Ü	é	ü
A			*	:	J	Z	j	z		ª	º	Ê	Ü	ê	ü
B			+	:	K	[k	[«	»	Ë	Ü	ë	ü
C			<	:	L	\	l	\		¼	½	Ì	Ù	ì	ù
D			=	:	M]	m]		¾	¾	Í	Ý	í	ý
E			>	:	N	^	n	^		¾	¾	Î	Û	î	û
F			/	:	O	_	o	_		¾	¾	Ï	Û	ï	Û

Entering file and folder names

The code list characters are the only file names and folder names that can be entered and displayed.

If you use any other character for entry, the file and folder names are not displayed correctly. They may neither be displayed correctly depending on the CD writer used.

The unit recognizes and plays only those MP3/WMA which have the MP3/WMA extension (.MP3/.WMA).



- A file with a name entered with characters not on the code list may not play correctly.

Writing files into a medium

When a medium containing MP3/WMA data is loaded, the unit checks all the data on the medium. If the medium contains a lot of folders or non-MP3/WMA files, therefore, it takes a long time until the unit starts playing MP3/WMA.

In addition, it may take time for the unit to move to the next MP3/WMA file or a File Search or Folder Search may not be performed smoothly.



Loading such a medium may produce loud noise to damage the speakers.

- Do no attempt to play a medium containing a non-MP3/WMA file with the MP3/WMA extension.
The unit mistakes non-MP3/WMA files for MP3/WMA data as long as they have the MP3/WMA extension.
- Do not attempt to play a medium containing non MP3/WMA.

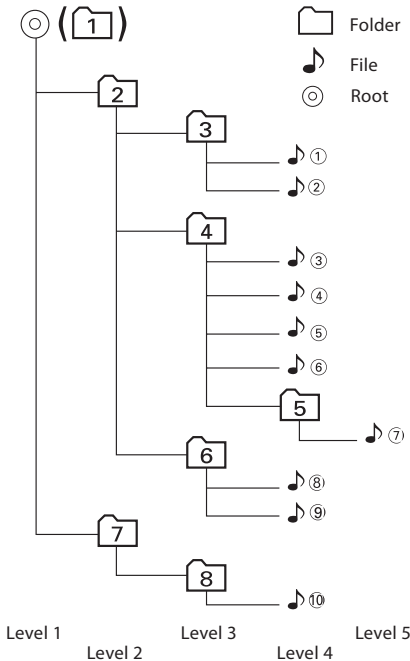
MP3/WMA playing order

When selected for play, Folder Search, File Search, or for Folder Select, files and folders are accessed in the order in which they were written by the CD writer.

Because of this, the order in which they are expected to be played may not match the order in which they are actually played. You may be able to set the order in which MP3/WMA are to be played by writing them onto a medium such as a CD-R with their file names beginning with play sequence numbers such as "01" to "99", depending on your CD writer.

For example, a medium with the following folder/file hierarchy is subject to Folder Search, File Search, or Folder Select as shown below.

Example of a medium's folder/file hierarchy



When a File Search is executed with file 4 being played ...

Operation of the button	(Current file: 4)
⏮ Button	Beginning of file 4 → 3
⏭ Button	5 → 6

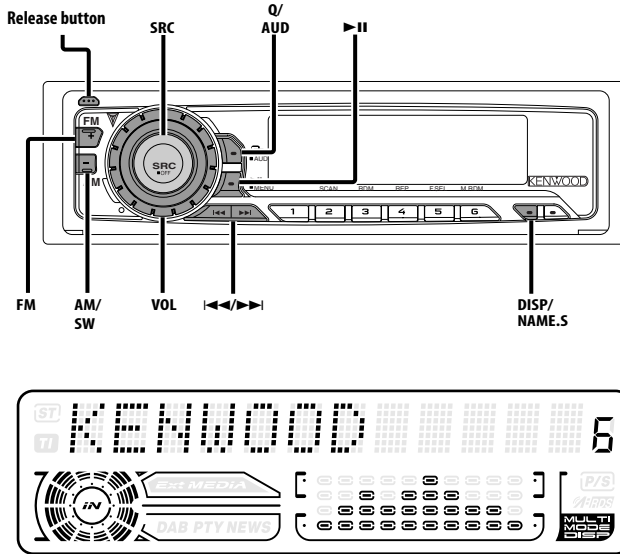
When a Folder Search is executed with file 4 being played ...

Operation of the button	(Current folder: 4)
AM Button	3 → 2 → 1 → 8 ...
FM Button	5 → 6 → 7 → 8 → 1 ...

When Folder Select is selected with file 4 being played to move from folder to folder ...

Operation of the button	(Current folder: 4)
⏮ Button	3
⏭ Button	6
AM Button	2
FM Button	5

General features



Power

Turning ON the Power

Press the [SRC] button.

Turning OFF the Power

Press the [SRC] button for at least 1 second.

Selecting the Source

Press the [SRC] button.

Source required	Display
SIRIUS tuner (Optional accessory)	"SIRIUS"
Tuner or HD Radio (Optional accessory)	"TUNER" or "HD Radio"
CD	"CD"
External disc (Optional accessory)	"CD CH"/"CD2"
Auxiliary input (Optional accessory)	"AUX EXT"
Standby (Illumination only mode)	"STANDBY"

Volume

Increasing Volume

Turn the [VOL] knob clockwise.

Decreasing Volume

Turn the [VOL] knob counterclockwise.

System Q

You can recall the best sound setting preset for different types of music.

1 Select the source to set

Press the [SRC] button.

2 Select the Sound type

Press the [Q] button.

Each time the button is pressed the sound setting switches.

Sound setting	Display
Flat	"Flat"
User memory	"User"

Rock	"Rock"
Pops	"Pops"
Easy	"Easy"
Top 40	"Top40"
Jazz	"Jazz"



- User memory: The values set on the 'Audio Control' (page 11).
- Each setting value is changed with the 'Speaker Setting' (page 11).
First, select the speaker type with the Speaker setting.

Audio Control

1 Select the source for adjustment

Press the [SRC] button.

2 Enter Audio Control mode

Press the [AUD] button for at least 1 second.

3 Select the Audio item for adjustment

Press the [FM] or [AM] button.

Each time the button is pressed the items that can be adjusted switch as shown below.

4 Adjust the Audio item

Press the [◀◀] or [▶▶] button.

Adjustment Item	Display	Range
Bass Center Frequency*2	"Bass F"	60/70/80/100 or 150 Hz
Bass level	"Bass"	-8 — +8
Bass Q Factor*2	"Bass Q"	1.00/1.25/1.50/2.00
Bass Extend*2	"Bass EXT"	ON/OFF
Middle Center Frequency*2	"MID F"	0.5/1.0/1.5/2.0 kHz
Middle level	"Middle"	-8 — +8
Middle Q Factor*2	"Middle Q"	1.0/2.0
Treble Center Frequency*2	"TRE F"	10.0/12.5/15.0/17.5 kHz
Treble level	"Treble"	-8 — +8
Balance	"Balance"	Left 15 — Right 15
Fader	"Fader"	Rear 15 — Front 15
Sub woofer level*1	"SW Level"	-15 — +15
Front High Pass Filter*2	"HPF F"	Through/100/125/ 170 Hz
Rear High Pass Filter*2	"HPF R"	THRU/200 Hz
Front/Rear High Pass Filter	"HPF"	THRU/100/125/170 Hz
Sub woofer Low Pass Filter*1	"LPF SW"	50/80/120/THRU Hz
Volume offset	"V-offset"	-8 — ±0
Loudness	"LOUD"	ON/OFF



- According to the Bass Q Factor setting value, the frequencies that can be set in Bass Center Frequency change as shown below.

Bass Q Factor	Bass Center Frequency
1.00/1.25/1.50	60/70/80/100
2.00	60/70/80/150

- When the Bass Extend is set to ON, low frequency response is extended by 20%.
- Volume offset: Each source's volume can be set as a difference from the basic volume.
- Loudness: Compensating for low and high tones during low volume.
- *1 You can control this item when 'Switching preout' (page 26) is set to "SWPRE Sub-W".
- *2 Function of the KDC-X579

5 Exit Audio Control mode

Press the [AUD] button.

Speaker Setting

Fine-tuning so that the System Q value is optimal when setting the speaker type.

1 Enter Standby

Press the [SRC] button.

Select the "STANDBY" display.

2 Enter Speaker Setting mode

Press the [Q] button.

3 Select the Speaker type

Press the [◀◀] or [▶▶] button.

Each time the button is pressed the setting switches as shown below.

Speaker type	Display
OFF	"SP OFF"
For 5 & 4 in. speaker	"SP 5/4inch"
For 6 & 6x9 in. speaker	"SP 6*9/6inch"
For the OEM speaker	"SP O.E.M."

4 Exit Speaker Setting mode

Press the [Q] button.

General features

Switching Display

Switching the information displayed.

Press the [DISP] button.

Each time the button is pressed the display switches as shown below.

In Tuner source

Information	Display
Station name or Frequency	"SNPS"
Frequency	"BAND+FREQ"
Clock	

In CD & External disc source

Information	Display
Disc title	"D-TITLE"
Track title	"T-TITLE"
Track number & Play time	"P-Time"
Disc name	"DNPS"
Clock	

In MP3/WMA source

Information	Display
Song title & Artist name	"TITLE"
Album name & Artist name	"ALBUM"
Folder name	"FOLDER NAME"
File name	"FILE NAME"
Track number & Play time	"P-Time"
Clock	

In HD Radio source

Information	Display
Station name	"Station Name"
Song title/ Artist name/ Album name/ Genre	"Title"
Frequency	"Frequency"
Clock	

In Auxiliary input source

Information
Auxiliary input name
Clock



- If the Disc title, Track title, Song title & Artist name, or Album name & Artist name is selected when the disc which does not have Disc title, Track title, Song title, Album name, or Artist name is played, track number and play time are displayed.

Station/Disc Naming (SNPS/DNPS)

Attaching a title to a Station or CD.

1 Receive/play the station/disc you want to attach a title to



- A title can't be attached to an MD.
- Refer to the 'Switching Display' (page 12) and select either "DNPS" or "SNPS". No name can be attached to the source if "DNPS" or "SNPS" cannot be selected for it.

2 Enter name set mode

Press the [NAME.S] button for at least 2 seconds.

"NAME SET" is displayed.

3 Move the cursor to the enter character position

Press the [◀] or [▶] button.

4 Select the character type

Press the [▶II] button.

Each time the button is pressed the character type switches as shown below.

Character type
Alphabet upper case
Alphabet lower case
Numbers and symbols
Special characters (Accent characters)

5 Select the characters

Press the [FM] or [AM] button.



- Characters can be entered by using a remote with a number buttons.

Example: If "DANCE" is entered.

Character	Button	Times pressed
"D"	[3]	1
"A"	[2]	1
"N"	[6]	2
"C"	[2]	3
"E"	[3]	2

6 Repeat steps 3 through 5 and enter the name.

7 Exit name set mode

Press the [NAME.S] button.



- When operation stops for 10 seconds the name at

- that time is registered, and Name Set mode closes.
- Memory numbers
 - FM: 32 stations
 - AM: 16 stations
 - Internal CD player: 30 discs
 - External CD changer/ player: Varies according to the CD changer/ player manual.
- The title of station/CD can be changed by the same operation used to name it.

Auxiliary Input Display Setting

Selecting the display when this device is switched to Auxiliary input source.

1 Select Auxiliary input source

Press the [SRC] button.

Select the "AUX EXT" display.

2 Enter Auxiliary input display setting mode

Press the [DISP] button for at least 2 seconds.

The presently selected AUX Name is blinks.

3 Select the Auxiliary input display

Press the [◀◀] or [▶▶] button.

Each time the button is pressed it switches through the below displays.

- "AUX EXT"
- "TV"
- "VIDEO"
- "GAME"
- "PORTABLE"
- "DVD"

4 Exit Auxiliary input display setting mode

Press the [DISP] button.



- When operation stops for 10 seconds, the name at that time is selected, and Auxiliary input display setting mode closes.
- The Auxiliary Input Display can be set only when the built-in auxiliary input or the auxiliary input of optional KCA-S210A is used.

Subwoofer Output

Turning the Subwoofer output ON or OFF.

Press the [SW] button for at least 1 second.

Each time the button is pressed Subwoofer output switches ON or OFF.

When it's ON, "Sub-W ON" is displayed.



- You can control this function when 'Switching preout' (page 26) is set to "SWPRE Sub-W". (KDC-MPV525/MPV5025/MP425 only)

General features

Theft Deterrent Faceplate

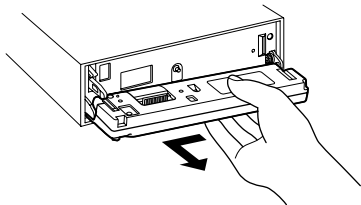
The faceplate of the unit can be detached and taken with you, helping to deter theft.

Removing the Faceplate

1 Press the Release button.

Drop open the faceplate.

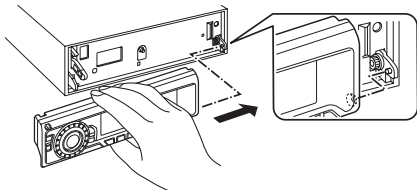
2 Drawing the faceplate to left side pull it to the front and remove it.



- The faceplate is a precision piece of equipment and can be damaged by shocks or jolts. For that reason, keep the faceplate in its special storage case while detached.
- Do not expose the faceplate or its storage case to direct sunlight or excessive heat or humidity. Also avoid places with too much dust or the possibility of water splashing.

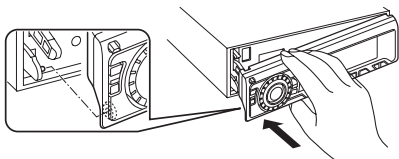
Reattaching the Faceplate

1 Align the shaft on the unit with the depression on the faceplate.



2 Push the faceplate in until it clicks.

The faceplate is locked in place, allowing you to use the unit.



TEL Mute

The audio system automatically mutes when a call comes in.

When a call comes in

"CALL" is displayed.

The audio system pauses.

Listening to the audio during a call

Press the [SRC] button.

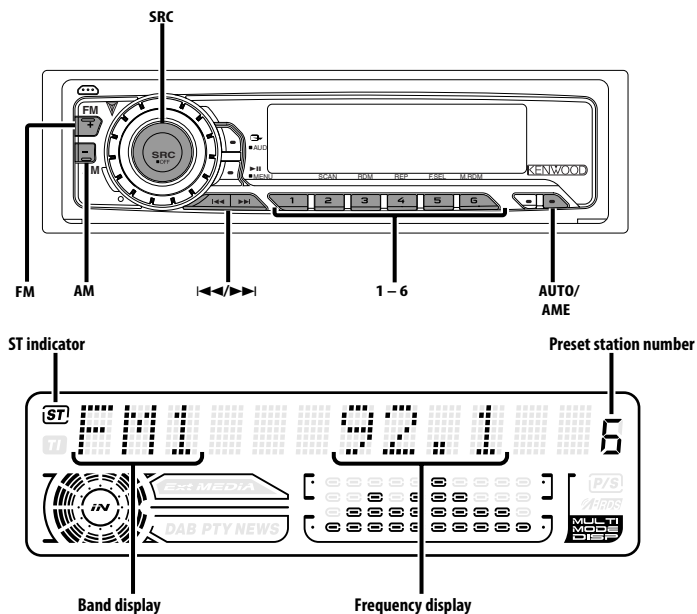
The "CALL" display disappears and the audio system comes back ON.

When the call ends

Hang up the phone.

The "CALL" display disappears and the audio system comes back ON.

Tuner features



Tuning Mode

Choose the tuning mode.

Press the [AUTO] button.

Each time the button is pressed the Tuning mode switches as shown below.

Tuning mode	Display	Operation
Auto seek	"Auto 1"	Automatic search for a station.
Preset station seek	"Auto 2"	Search in order of the stations in the Preset memory.
Manual	"Manual"	Normal manual tuning control.

Tuning

Selecting the station.

1 Select tuner source

Press the [SRC] button.

Select the "TUNER" display.

2 Select the band

Press the [FM] or [AM] button.

Each time the [FM] button is pressed it switches between the FM1, FM2, and FM3 bands.

3 Tune up or down band

Press the [◀◀] or [▶▶] button.



- During reception of stereo stations the "ST" indicator is ON.

Tuner features

Function of remote

Direct Access Tuning

Entering the frequency and tuning.

1 Select the band

Press the [FM] or [AM] button.

2 Enter Direct Access Tuning mode

Press the [DIRECT] button on the remote.

"- - - -" is displayed.

3 Enter the frequency

Press the number buttons on the remote.

Example:

Desired frequency	Press button
92.1 MHz (FM)	[0], [9], [2], [1]
810 kHz (AM)	[0], [8], [1], [0]

Canceling Direct Access Tuning

Press the [DIRECT] button on the remote.

Station Preset Memory

Putting the station in the memory.

1 Select the band

Press the [FM] or [AM] button.

2 Select the frequency to put in the memory

Press the [◀◀] or [▶▶] button.

3 Put the frequency in the memory

Press the desired [1] — [6] button for at least 2 seconds.

The preset number display blinks 1 time.

On each band, 1 station can be put in the memory on each [1] — [6] button.

Auto Memory Entry

Putting stations with good reception in the memory automatically.

1 Select the band for Auto Memory Entry

Press the [FM] or [AM] button.

2 Open Auto Memory Entry

Press the [AME] button for at least 2 seconds.

When 6 stations that can be received are put in the memory Auto Memory Entry closes.

Preset Tuning

Calling up the stations in the memory.

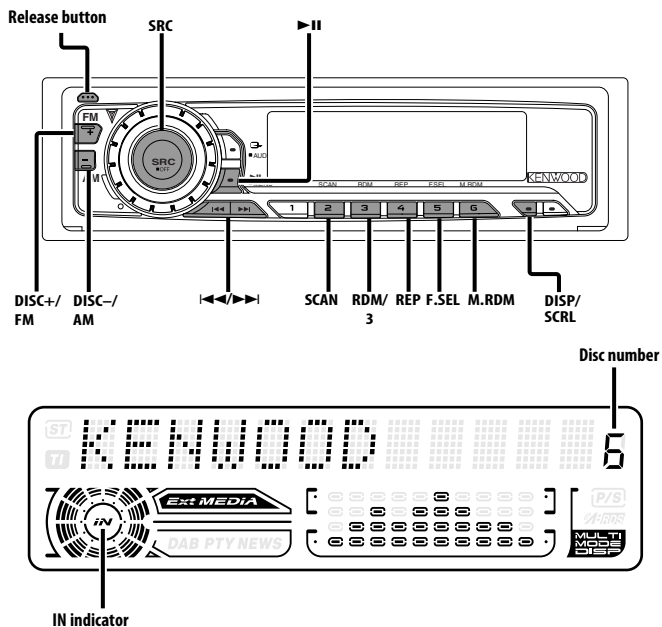
1 Select the band

Press the [FM] or [AM] button.

2 Call up the station

Press the desired [1] — [6] button.

CD/MP3/WMA/External disc control features



Playing External Disc

Playing discs set in the optional accessory disc player connected to this unit.

Press the [SRC] button.

Select the display for the disc player you want.

Display examples:

Display	Disc player
"CD2"	CD player
"CD CH"	CD changer
"MD CH"	MD changer

Pause and play

Press the [▶||] button.

Each time the button is pressed it pauses and plays.



- Disc 10 is displayed as "0".
- The functions that can be used and the information that can be displayed will differ depending on the external disc players being connected.

Playing CD & MP3/WMA

When there is no disc inserted

- 1 Drop open the faceplate**
Press the Release button.
- 2 Insert a disc.**
- 3 Press the faceplate on the left side, and return it to its former position.**



- When the faceplate has been dropped open, it might interfere with the shift lever or something else. If this happens, pay attention to safety and move the shift lever or take an appropriate action, then operate the unit.
- Do not use the unit with the faceplate in the open condition. If it's used in the open position dust can enter the inside part and cause damage.



- When a disc is inserted, the "IN" indicator is ON.

When a disc is inserted

Press the [SRC] button.

Select the "CD" display.

Pause and play

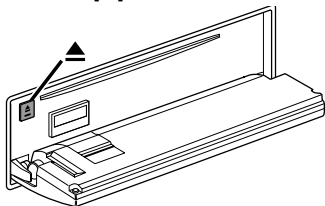
Press the [▶||] button.

Each time the button is pressed it pauses and plays.

Eject the disc

- 1 Drop open the faceplate**
Press the Release button.

- 2 Eject the disc**
Press the [▲] button.



- 3 Press the faceplate on the left side, and return it to its former position.**



- 3 in. (8cm) disc can't be played. Using an adapter and inserting them into this unit can cause damage.



- The MP3/WMA media that this unit can play are CD-ROM, CD-R, and CD-RW.
The medium formats must be ISO 9660 Level 1, Level 2, Joliet, or Romeo. The methods and precautions to be followed for writing MP3/WMA data are covered in 'Notes on playing MP3/WMA' (page 8).
Check that section before creating your MP3/WMA media.

Fast Forwarding and Reversing

Fast Forwarding

Hold down on the [▶▶] button.

Release your finger to play the disc at that point.

Reversing

Hold down on the [◀◀] button.

Release your finger to play the disc at that point.

Track/File Search

Searching for a song on the disc or in the MP3/WMA folder.

Press the [◀◀] or [▶▶] button.

Function of disc changer/ MP3/ WMA

Disc Search/Folder Search

Selecting the disc set in the Disc changer or the folder recorded on the MP3/WMA media.

Press the [DISC-] or [DISC+] button.

Function of remote

Direct Track/File Search

Doing Track/File Search by entering the track/file number.

- 1 Enter the track/file number**
Press the number buttons on the remote.

2 Do Track/File Search

Press the [**◀◀**] or [**▶▶**] button.

Canceling Direct Track/File Search

Press the [**▶||**] button.

Function of disc changers with remote

Direct Disc Search

Doing Disc Search by entering the disc number.

1 Enter the disc number

Press the number buttons on the remote.

2 Do Disc Search

Press the [**DISC+**] or [**DISC-**] button.

Canceling Direct Disc Search

Press the [**▶||**] button.



- Input "0" to select disc 10.

Track/File/Disc/Folder Repeat

Replaying the song, disc in the Disc changer or MP3/WMA folder you're listening to.

Press the [**REP**] button.

Each time the button is pressed the Repeat Play switches as shown below.

In CD & External disc source

Repeat play	Display
Track Repeat	"(T-)Repeat ON"
Disc Repeat (In Disc Changer)	"D Repeat ON"
OFF	"Repeat OFF"

In MP3/WMA source

Repeat play	Display
File Repeat	"File REP ON"
Folder Repeat	"FOLD REP ON"
OFF	"Repeat OFF"

Scan Play

Playing the first part of each song on the disc or MP3/WMA folder you are listening to and searching for the song you want to listen to.

1 Start Scan Play

Press the [**SCAN**] button.

"Scan ON" is displayed.

2 Release it when the song you want to listen to is played

Press the [**SCAN**] button.

Random Play

Play all the songs on the disc or MP3/WMA folder in random order.

Press the [**RDM**] button.

Each time the button is pressed Random Play turns ON or OFF.

When it's ON, "Random ON" is displayed.



- When the [**▶▶||**] button is pressed, the next song select starts.

Function of disc changer

Magazine Random Play

Play the songs on all the discs in the disc changer in random order.

Press the [**M.RDM**] button.

Each time the button is pressed the Magazine Random Play turns ON or OFF.

When it's ON, "M-Random ON" is displayed.



- When the [**▶▶||**] button is pressed, the next song select starts.

CD/MP3/WMA/External disc control features

Function of MP3/WMA

Folder Select

Quickly selecting the folder you want to listen to.

1 Enter Folder Select mode

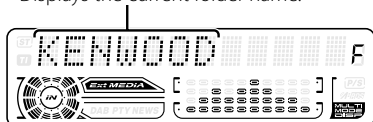
Press the [F.SEL] button.

"Select Mode" is displayed.

During Select mode the folder information is displayed as shown below.

Folder name display

Displays the current folder name.



2 Select the folder level

Press the [FM] or [AM] button.

With the [FM] button you move 1 level down and with the [AM] button 1 level up.

Selecting a folder in the same level

Press the [◀◀] or [▶▶] button.

With the [◀◀] button you move to the previous folder, and with the [▶▶] button to the next folder.

Returning to the top level

Press the [3] button.

3 Decide the folder to play

Press the [▶II] button.

The Folder Select mode releases, and the MP3/WMA in the folder being displayed is played.



- The methods for moving to other folders in the folder select mode are different from those in the folder search mode.

See 'Notes on playing MP3/WMA' (page 8) for details.

Canceling the Folder Select mode

Press the [F.SEL] button.

Text/Title Scroll

Scrolling the displayed CD text, MP3/WMA text, or MD title.

Press the [SCRL] button for at least 1 second.

Function of disc changers with remote

DNPP (Disc Name Preset Play)

Selecting the CD displayed in the DNPS of the CDs set in the Disc changer.

1 Enter DNPP mode

Press the [DNPP] button on the remote.

When "DNPP" is displayed the DNPS display in order.

Forward / Reverse display

Press the [DISC-] or [DISC+] button.

2 When the disc you want is displayed

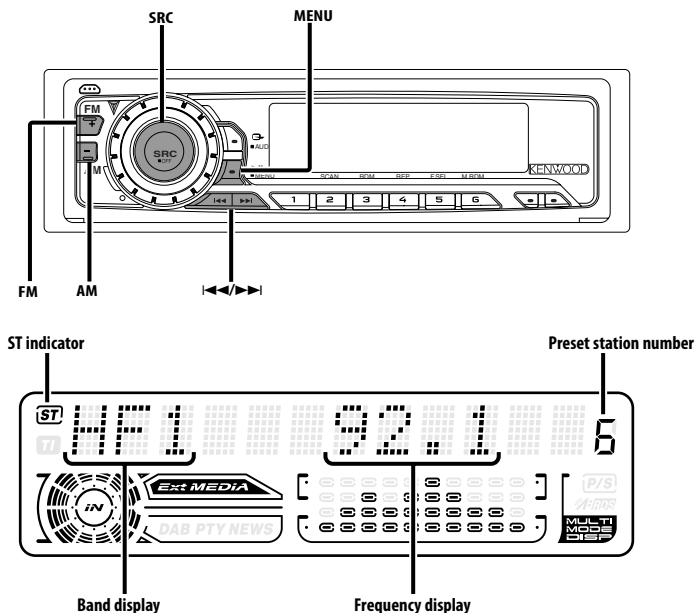
Press the [OK] button on the remote.

The disc being displayed is played.

Canceling the DNPP mode

Press the [DNPP] button on the remote.

HD Radio control features



Tuning

Selecting the station.

1 Select HD Radio source

Press the [SRC] button.

Select the "HD Radio" display.

2 Select the HF band

Press the [FM] button.

Each time the [FM] button is pressed it switches between the HF1, HF2, and HF3 bands.

Select the HA band

Press the [AM] button.

3 Tune up or down band

Press the [◀◀] or [▶▶] button.



- When you connect an HD Radio, Tuner features of the unit are disabled and switched to HD Radio tuner features. A portion of the setting methods including the Tuning Mode will change.
- With the HD Radio tuner, you can use the similar functions to 'Station Preset Memory' and 'Preset Tuning' of Tuner features. Refer to Tuner features for how to use the functions.

- The HD Radio cannot be selected as a dual zone source.

Auto Memory Entry

Putting a station with good reception in the memory automatically.

1 Select the band for Auto Memory Entry

Press the [FM] or [AM] button.

2 Enter Menu mode

Press the [MENU] button for at least 1 second.

"MENU" is displayed.

3 Select the Auto Memory Entry mode

Press the [FM] or [AM] button.

Select the "Auto-Memory" display.

4 Open Auto Memory Entry

Press the [◀◀] or [▶▶] button for at least 2 seconds.

When 6 stations that can be received are put in the memory Auto Memory Entry closes.

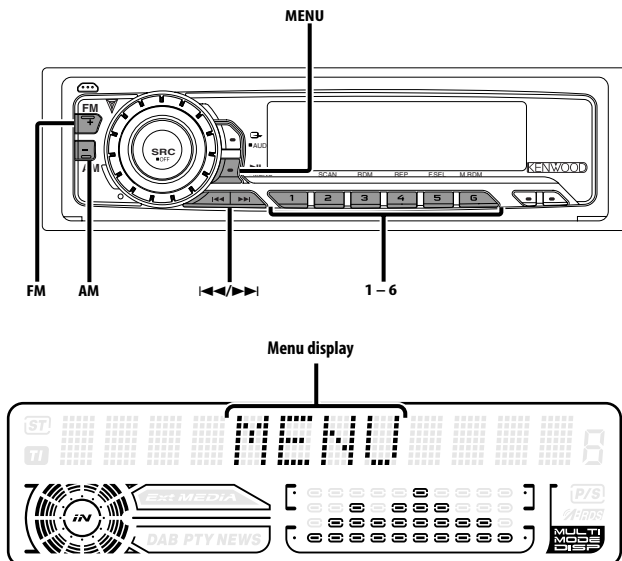
5 Exit Menu mode

Press the [MENU] button.



- The receiving method can be switched with the setting of 'Receive mode Setting' (page 28).

Menu system



Menu System

Setting during operation beep sound etc. functions.

The Menu system basic operation method is explained here. The reference for the Menu items and their setting content is after this operation explanation.

1 Enter Menu mode

Press the [MENU] button for at least 1 second.

"MENU" is displayed.

2 Select the menu item

Press the [FM] or [AM] button.

Example: When you want to set the beep sound select the "Beep" display.

3 Set the menu item

Press the [◀◀] or [▶▶] button.

Example: When "Beep" is selected, each time the button is pressed it switches "Beep ON" or "Beep OFF". Select 1 of them as the setting.

You can continue by returning to step 2 and setting other items.

4 Exit Menu mode

Press the [MENU] button.



- When other items that are applicable to the basic operation method above are displayed afterwards their setting content chart is entered. (Normally the uppermost setting in the chart is the original setting.) Also, the explanation for items that aren't applicable ('Manual Clock Adjustment' etc.) are entered step by step.

Menu system

In Standby mode

Security Code

Because authorization by the Security Code is required when it's removed from the vehicle, personalizing this unit is by using the Security Code is a help in preventing theft.



- When the Security Code function is activated, the code can't be changed and the function can't be released. Note, the Security Code can be set as the 4 digit number of your choice.

1 Enter Standby

Press the [SRC] button.

Select the "STANDBY" display.

2 Enter Menu mode

Press the [MENU] button for at least 1 second.

When "MENU" is displayed, "Security" is displayed.

3 Enter Security Code mode

Press the [◀◀] or [▶▶] button for at least 1 second.

When "ENTER" is displayed, "CODE" is displayed.

4 Select the digits to enter

Press the [◀◀] or [▶▶] button.

5 Select the Security Code numbers

Press the [FM] or [AM] button.

6 Repeat steps 4 and 5, and complete the Security Code.

7 Confirm the Security Code

Press the [▶▶] button for at least 3 seconds.

When "RE-ENTER" is displayed, "CODE" is displayed.

8 Do the step 4 through 7 operation, and reenter the Security Code.

"APPROVED" is displayed.

The Security Code function activates.



- When the wrong Code is entered in steps 4 through 6, repeat from step 4.

Press the Reset button and when it's removed from the battery power source

1 Turn the power ON.

2 Do the step 4 through 7 operation, and enter the Security Code.

"APPROVED" is displayed.

The unit can be used.

Touch Sensor Tone

Setting the operation check sound (beep sound) ON/OFF.

Display	Setting
"Beep ON"	Beep is heard.
"Beep OFF"	Beep canceled.

Manual Clock Adjustment

1 Select Clock Adjustment mode

Press the [FM] or [AM] button.

Select the "Clock Adjust" display.

2 Enter Clock Adjust mode

Press the [◀◀] or [▶▶] button for at least 1 second.

The clock display blinks.

3 Adjust the hours

Press the [FM] or [AM] button.

Adjust the minutes

Press the [◀◀] or [▶▶] button.

4 Exit Clock adjustment mode

Press the [MENU] button.

DSI (Disabled System Indicator)

A red indicator will blink on the unit after the faceplate is removed, warning potential thieves.

Display	Setting
"DSI ON"	LED flashes.
"DSI OFF"	LED OFF.

Selectable Illumination

Selecting the button illumination color as green or red.

Display	Setting
"Color Red"	The illumination color is red.
"Color Green"	The illumination color is green.

Switching Display Type

Setting the Display type.

Display	Setting
"DisplayC"	Demonstration.
"DisplayA"	Normal display type.
"DisplayB"	Silent display type.

Function of the KDC-MPV525/KDC-MPV5025

Illumination Color Setting

You can set the display to a desired color.

1 Select Illumination Color Setting Mode

Press the [FM] or [AM] button.

Select the "COL" display.

2 The color continues to change gradually

Hold down on the [◀◀] or [▶▶] button.

Release your finger at the color you want.



- Colors adjusted using either [◀◀] or [▶▶] will be stored automatically, and they can be called by pressing [5] button.

Quick call up the preset color

Press the desired [1] — [4] button.

Button	Color
[1]	Silky White
[2]	Red
[3]	Blue
[4]	Blue Green

Selecting the Color mode

Press the [6] button.

Each time the button is pressed the Color mode switches as shown below.

Display	Color mode
"Scan"	The color changes in sequence.
"SRC"	The color changes according to the selected source.
"Time"	The color changes every 6 hours.
	Keeps the presently set color.

Blue fine adjustment

1 Press the [3] button for at least 2 seconds.

2 Press the [◀◀] or [▶▶] button.

When the blue fine adjustment is completed, press the [3] button.

Contrast Adjustment

Adjusting the display contrast.

Display and Setting
"Contrast 0"
⋮
"Contrast 10"

Dimmer

Dimming this unit's display automatically when the vehicle light switch is turned ON.

Display	Setting
"Dimmer ON"	The display dims.
"Dimmer OFF"	The display doesn't dim.

Menu system

Function of the KDC-X579

System Q Setting

Setting whether the display indicates the System Q factors (Bass center frequency, Bass Q factor, Bass extend, Middle center frequency, Middle Q factor, and Treble center frequency) in Audio control.

Display	Setting
"System Q ON"	The System Q factors are displayed.
"System Q OFF"	The System Q factors aren't displayed.

Function of the KDC-MPV525/KDC-MPV5025/
KDC-MP425

In Standby mode

Switching preout

Switching the preout between the rear and subwoofer. (In subwoofer it outputs without effect from the fader control.)

Display	Setting
"SWPRE Rear"	Rear preout.
"SWPRE Sub-W"	Subwoofer preout.

Function of the KDC-X579

In Standby mode

Built-in Amp Mute Setting

Toggles ON or OFF the mute control on the built-in amplifier.

Turning ON this control enhances the preout quality.

Display	Setting
"AMP Mute OFF"	The built-in amplifier activates.
"AMP Mute ON"	The built-in amplifier deactivates.

In SIRIUS tuner source

SIRIUS ID (ESN) display

Displaying the SIRIUS ID (Electronic Serial Number) display.

Display

"ESN = *****"



Serial & SIRIUS ID (ESN)

It is especially important to retain the unit serial number and the electronic SIRIUS Identification number for service activation and potential future service changes.

Function of the KDC-X579/KDC-MPV5025

In SIRIUS Tuner, External disc, or Auxiliary input source

Dual Zone System

Makes the sound different for the front channel and rear channel.

Display	Setting
"Zone 2 OFF"	The front and rear are the same source sound.
"Zone 2 ON"	The front and rear are the different source sound.



- When the Dual Zone System is on, there is only sound effect including Audio control for internal source.
- When you set the Dual zone system to ON while the sub woofer preout is switched ON, the sound of the sub woofer preout isn't output.
- When the source is selected to VZ-7000P/N (optional accessory), the VZ-7000P/N's sound is not output if the Dual Zone System is turned ON.

Function of the KDC-X579/KDC-MPV5025

When the Dual Zone System is OFF

Dual Zone System Setting

Setting the Front channel and Rear channel sound in the Dual Zone System.

Display	Setting
"Zone 2 Rear"	The front is this unit's internal source, and the rear is selected source sound.
"Zone 2 Front"	The rear is this unit's internal source, and the front is selected source sound.

Function of the KDC-X579

B.M.S. (Bass Management System)

Adjust the bass boost level of the external amplifier using the main unit.

Display	Setting
"AMP Bass FLT"	Bass boost level is flat.
"AMP Bass +6"	Bass boost level is low (+6dB).
"AMP Bass +12"	Bass boost level is mid (+12dB).
"AMP Bass +18"	Bass boost level is high (+18dB).



- Refer to the catalog or instruction manual for power amplifiers that can be controlled from this unit.
- For amplifiers there are the model that can be set from Flat to +18 dB, and the model that can be set from Flat to +12 dB.

When an amplifier that can only be set to +12 is connected to the unit, "AMP Bass +18" won't work correctly even if it's selected.

Function of the KDC-X579

B.M.S. Frequency Offset

Setting the central frequency boosted by B.M.S.

Display	Setting
"AMP Freq NML"	Boost with the normal central frequency.
"AMP Freq Low"	Drop the normal central frequency 20%.

In FM reception

CRSC (Clean Reception System Circuit)

Temporarily have reception switched from stereo to mono to reduce multi-path noise when listening to the FM station.

Display	Setting
"CRSC ON"	The CRSC is ON.
"CRSC OFF"	The CRSC is OFF.



- Strong electrical fields (such as from power lines) may cause unstable sound quality when CRSC is turned ON. In such a situation, turn it OFF.

Text Scroll

Setting the displayed text scroll.

Display	Setting
"Scroll Auto"	Repeats scroll.
"Scroll MANU"	Scrolls when the display changes.



- The text scrolled is shown below.
 - CD text
 - Folder name/ File name/ Song title/ Artist name/ Album name
 - MD title
 - Text for the SIRIUS tuner source, HD Radio source, including Channel name, etc.

In Standby mode

CD Read Setting

When there is a problem on playing a CD with special format, this setting play the CD by force.

Display	Setting
"CD READ 1"	Play CD and MP3/WMA.
"CD READ 2"	Play CD by force.



- Setting "CD READ 2" cannot play MP3/WMA. Some music CDs may not be played back even in the "CD READ 2" mode.

Menu system

Function of the KDC-X579
When LX AMP unit connecting

AMP Control

You can control the LX AMP connected to the unit.

1 Select AMP Control mode

Press the [FM] or [AM] button.

Select the "AMP Control" display.

2 Enter AMP Control mode

Press the [◀◀] or [▶▶] button for at least 1 second.

3 Select the AMP Control item for adjustment Press the [FM] or [AM] button.



- For the details of the AMP Control item, see the instruction manual attached to the LX AMP.

4 Adjust the AMP Control item

Press the [◀◀] or [▶▶] button.

5 Exit AMP Control mode

Press the [MENU] button.



- You cannot use the LX AMP operation during standby mode.

In HD Radio mode

Receive mode Setting

Sets the receive mode.

1 Select the Receive mode

Press the [FM] or [AM] button.

Select the "Receive Mode" display.

2 Open Receive mode

Press the [◀◀] or [▶▶] button for at least 1 second.

3 Set the Receive mode

Press the [FM] or [AM] button.

Each time the button is pressed the Receive mode switches as shown below.

Receive mode	Display	Operation
Auto mode	"Auto"	Analog broadcasts and digital broadcasts will be switched automatically. When both are being transmitted, the digital broadcast will have priority.
Digital	"Digital"	Digital broadcasts only.
Analog	"Analog"	Analog broadcasts only.

4 Exit Receive mode

Press the [MENU] button.



- Even if the "Auto" setting, an analog broadcast will be received during the reception of a ball game mode (non-delayed broadcast program).

In HD Radio mode

Tuning Mode

Sets the tuning mode.

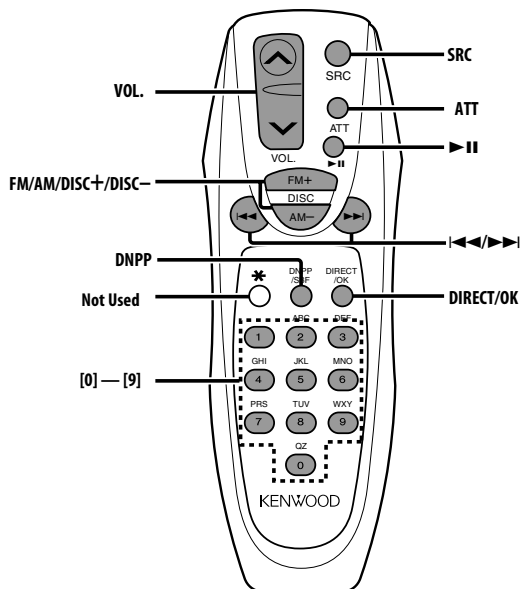
Tuning mode	Display	Operation
Auto seek	"Auto 1"	Automatic search for a station.
Preset station seek	"Auto 2"	Search in order of the stations in the Preset memory.
Manual	"Manual"	Normal manual tuning control.

In HD Radio mode

Auto Memory Entry

For the operation method refer to 'Auto Memory Entry' (page 22).

Basic Operations of remote

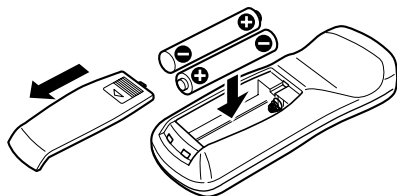


Loading and Replacing the battery

Use two "AA"-size batteries.

Slide the cover while pressing downwards to remove it as illustrated.

Insert the batteries with the + and – poles aligned properly, following the illustration inside the case.



▲WARNING

- Store unused batteries out of the reach of children. Contact a doctor immediately if the battery is accidentally swallowed.



- Do not set the remote on hot places such as above the dashboard.

Basic operations

[VOL.] buttons

Adjusting the volume.

[SRC] button

Each time the button is pressed the source switches.

For the source switching order refer to 'Selecting the Source' (page 10).

[ATT] button

Turning the volume down quickly.

When it is pressed again it returns to the previous level.

Basic Operations of remote

In Tuner source

[FM]/ [AM] buttons

Select the band.

Each time the [FM] button is pressed it switches between the FM1, FM2, and FM3 bands.

[◀◀]/ [▶▶] buttons

Tune up or down band.

[0] — [9] buttons

Press buttons [1] — [6] to recall preset stations.

[DIRECT]/ [OK] button

Enters and cancels the 'Direct Access Tuning' (page 16) mode.

In Disc source

[◀◀]/ [▶▶] buttons

Doing track/file forward and backward.

[DISC+]/ [DISC-] buttons

Doing disc/folder forward and backward.

[▶II] button

Each time the button is pressed the song pauses and plays.

[DNPP] button

Enters and cancels the 'DNPP (Disc Name Preset Play)' (page 20) mode.

[0] — [9] buttons

When in 'Direct Track/File Search' (page 18) and 'Direct Disc Search' (page 19), enter the track/file/disc number.

In HD Radio source

[FM] button

Select the HF band.

Each time the [FM] button is pressed it switches between the HF1, HF2, and HF3 bands.

[AM] button

Select the HA band.

[◀◀]/ [▶▶] buttons

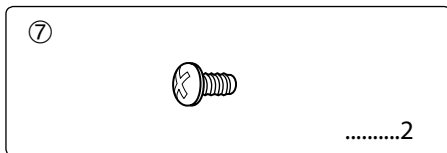
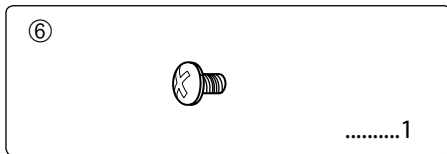
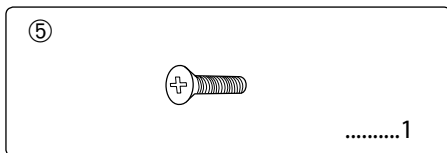
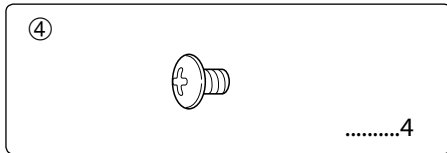
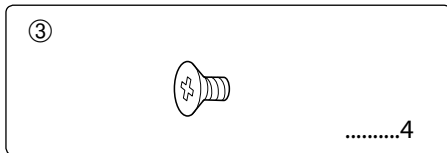
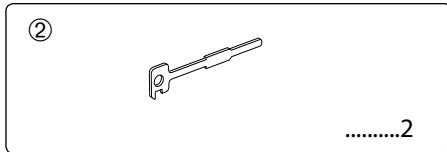
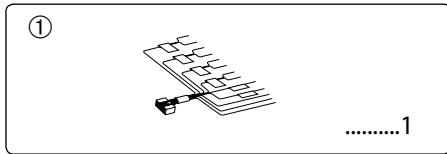
Tune up or down band.

[0] — [9] buttons

Press buttons [1] — [6] to recall preset stations.

Accessories/ Installation Procedure

Accessories



Installation Procedure

1. To prevent a short circuit, remove the key from the ignition and disconnect the ⊖ battery.
2. Make the proper input and output wire connections for each unit.
3. Connect the speaker wires of the wiring harness.
4. Connect the wiring harness wires in the following order: ground, battery, ignition.
5. Connect the wiring harness connector to the unit.
6. Install the unit in your car.
7. Reconnect the ⊖ battery.
8. Press the reset button.

▲WARNING

If you connect the ignition wire (red) and the battery wire (yellow) to the car chassis (ground), you may cause a short circuit, that in turn may start a fire. Always connect those wires to the power source running through the fuse box.



- If your car's ignition does not have an ACC position, connect the ignition wires to a power source that can be turned on and off with the ignition key. If you connect the ignition wire to a power source with a constant voltage supply, as with battery wires, the battery may die.
- If the console has a lid, make sure to install the unit so that the faceplate will not hit the lid when closing and opening.
- If the fuse blows, first make sure the wires aren't touching to cause a short circuit, then replace the old fuse with one with the same rating.
- Insulate unconnected wires with vinyl tape or other similar material. To prevent a short circuit, do not remove the caps on the ends of the unconnected wires or the terminals.
- Connect the speaker wires correctly to the terminals to which they correspond. The unit may be damaged or fail to work if you share the ⊖ wires or ground them to any metal part in the car.
- When only two speakers are being connected to the system, connect the connectors either to both the front output terminals or to both the rear output terminals (do not mix front and rear). For example, if you connect the ⊕ connector of the left speaker to a front output terminal, do not connect the ⊖ connector to a rear output terminal.
- After the unit is installed, check whether the brake lamps, blinkers, wipers, etc. on the car are working properly.
- Mount the unit so that the mounting angle is 30° or less.

Connecting Wires to Terminals

	KDC-X579	KDC-MPV525/MPV5025/MP425
A	Rear output	
B	Front output	Front output
C	Subwoofer output	Rear output/ Subwoofer output

Left output (White), Right output (Red)

To KENWOOD disc changer/
Sirius satellite radio tuner/
External optional accessory

To connect these leads, refer to
the relevant instruction manuals.

If no connections are made, do not let the wire come out
from the tab.

Connect either to the power control terminal when
using the optional power amplifier, or to the antenna
control terminal in the vehicle.

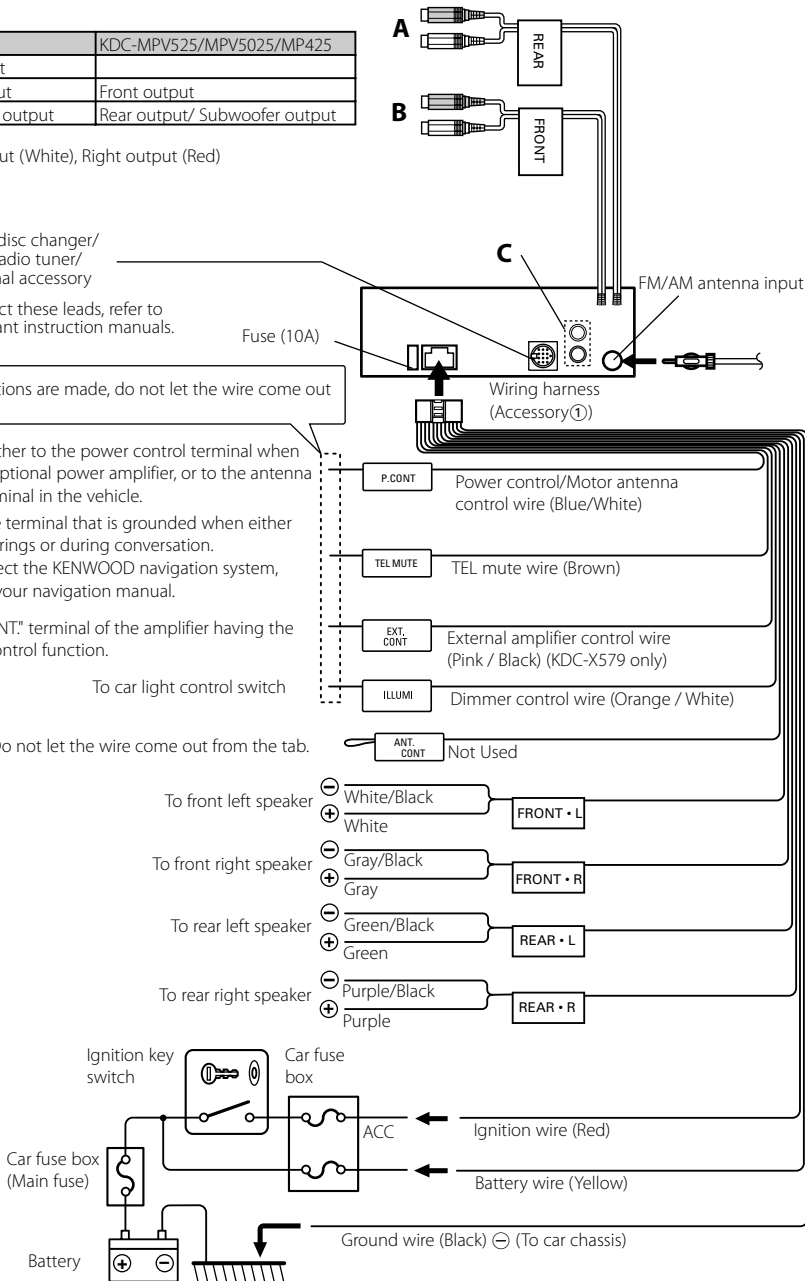
Connect to the terminal that is grounded when either
the telephone rings or during conversation.

To connect the KENWOOD navigation system,
consult your navigation manual.

To "EXT.AMP.CONT." terminal of the amplifier having the
external amp control function.

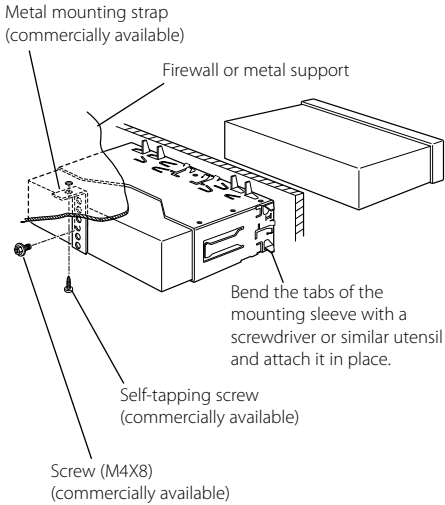
To car light control switch

Do not let the wire come out from the tab.



Installation

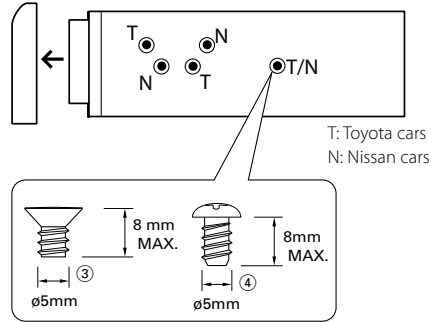
non-Japanese cars



- Make sure that the unit is installed securely in place. If the unit is unstable, it may malfunction (for example, the sound may skip).

Japanese cars

- 1 Refer to the section 'Removing the hard rubber frame' (page 35) and then remove the hard rubber frame.
- 2 Align the holes in the unit (two locations on each side) with the vehicle mounting bracket and secure the unit with the accessory screws.



Accessory③...for Nissan car
Accessory④...for Toyota car



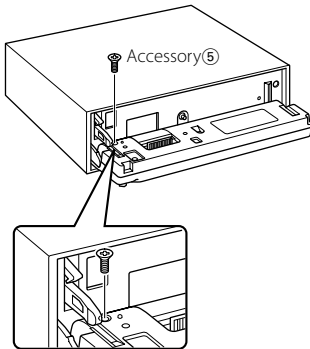
- During installation, do not use any screws except for those provided. The use of different screws might result in damage to the main unit.
- Damage may occur if a screwdriver or similar tool is used with excessive force during the installations.

Installation

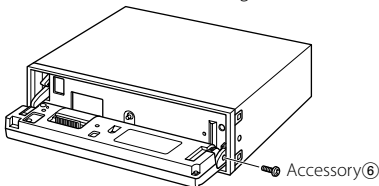
Screwing the Faceplate on the Unit

If you want to fasten the faceplate to the main unit so that it does not fall off.

- 1 Refer to the section 'Removing the hard rubber frame' (page 35) and then remove the hard rubber frame.
- 2 Drop open the faceplate by pressing the Release button.
- 3 Tighten the screws ($\varnothing 2.6 \times 12$ mm) (Accessory ⑤) in the holes shown on the diagram.

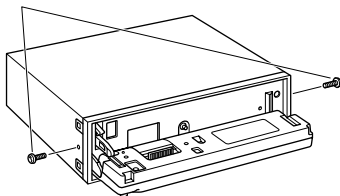


- 4 Tighten the screws ($\varnothing 2 \times 4$ mm) (Accessory ⑥) in the holes shown on the diagram.



- 5 Tighten the screws ($\varnothing 2 \times 6$ mm) (Accessory ⑦) in the holes shown on the diagram.

Accessory ⑦

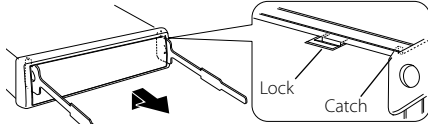


- Never insert the screws in any other screw hole than the one specified. If you screw them in another hole, it will contact and may cause damage to the mechanical parts inside the unit.

Removing the Unit

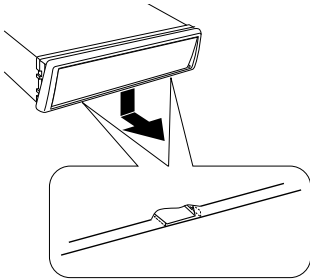
Removing the hard rubber frame

- 1 Engage the catch pins on the removal tool and remove the two locks on the upper level. Upper the frame and pull it forward as shown in the figure.



Accessory②
Removal tool

- 2 When the upper level is removed, remove the lower two locations.

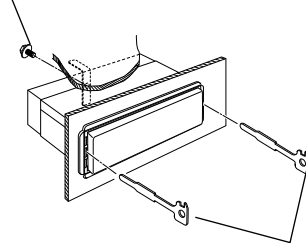


- The frame can be removed from the bottom side in the same manner.

Removing the Unit

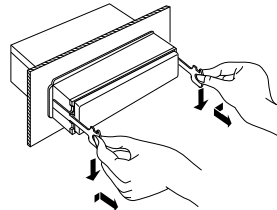
- 1 Refer to the section 'Removing the hard rubber frame' (page 35) and then remove the hard rubber frame.
- 2 Remove the screw (M4 × 8) on the back panel.
- 3 Insert the two removal tools deeply into the slots on each side, as shown.

Screw (M4X8)
(commercially available)



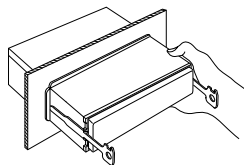
Accessory②
Removal tool

- 4 Lower the removal tool toward the bottom, and pull out the unit halfway while pressing towards the inside.



- Be careful to avoid injury from the catch pins on the removal tool.

- 5 Pull the unit all the way out with your hands, being careful not to drop it.



Troubleshooting Guide

What might seem to be a malfunction in your unit may just be the result of slight misoperation or miswiring. Before calling service, first check the following table for possible problems.

General

? The power does not turn ON.

- ✓ The fuse has blown.
 - ☞ After checking for short circuits in the wires, replace the fuse with one with the same rating.

? There's a source you can't switch.

- ✓ There's no media inserted.
 - ☞ Set the media you want to listen to. If there's no media in this unit, you can't switch to each source.
- ✓ The Disc changer isn't connected.
 - ☞ Connect the Disc changer. If the Disc changer isn't connected to its input terminal, You can't switch to an external disc source.

? The memory is erased when the ignition is turned OFF.

- ✓ The ignition and battery wire are incorrectly connected.
 - ☞ Connect the wire correctly, referring to the section on 'Connecting Wires to Terminals'.

? There's no loudness effect.

- ✓ You're using Subwoofer preout.
 - ☞ Loudness has no effect in Subwoofer preout.

? Even if Loudness is turned ON, high-pitched tone isn't compensated for.

- ✓ Tuner source is selected.
 - ☞ High-pitched tone isn't compensated for when in Tuner source.

? The TEL mute function does not work.

- ✓ The TEL mute wire is not connected properly.
 - ☞ Connect the wire correctly, referring to the section on 'Connecting Wires to Terminals'.

? The TEL mute function turns ON even though the TEL mute wire is not connected.

- ✓ The TEL mute wire is touching a metal part of the car.
 - ☞ Pull the TEL mute wire away from the metal part of the car.

? No sound can be heard, or the volume is low.

- ✓ The fader or balance settings are set all the way to one side.
 - ☞ Center the fader and balance settings.
- ✓ The input/output wires or wiring harness are connected incorrectly.
 - ☞ Reconnect the input/output wires or the wiring harness correctly. See the section on 'Connecting Wires to Terminals'.
- ✓ The values of Volume offset are low.
 - ☞ Turn up the Volume offset, referring to the section on 'Audio Control' (page 11).

? The sound quality is poor or distorted.

- ✓ One of the speaker wires is being pinched by a screw in the car.
 - ☞ Check the speaker wiring.
- ✓ The speakers are not wired correctly.
 - ☞ Reconnect the speaker wires so that each output terminal is connected to a different speaker.

? The Touch Sensor Tone doesn't sound.

- ✓ The preout jack is being used.
 - ☞ The Touch Sensor Tone can't be output from the preout jack.

? The Dimmer function doesn't work.

- ✓ The Dimmer wire isn't connected correctly.
 - ☞ Check the Dimmer wire connection.

? The display color changes subtly.

- ✓ This is because the temperature is different than the temperature when the setting was done.
 - ☞ The display color condition changes subtly according to the ambient temperature.

Tuner source

? Radio reception is poor.

- ✓ The car antenna is not extended.
 - ☞ Pull the antenna out all the way.
- ✓ The antenna control wire is not connected.
 - ☞ Connect the wire correctly, referring to the section on 'Connecting Wires to Terminals'.

? The desired frequency can't be entered with the Direct Access Tuning.

- ✓ A station that can't be received is being entered.
 - ☞ Enter a station that can be received.
- ✓ You're trying to enter a frequency with a 0.01 MHz unit.
 - ☞ What can be designated in the FM band is to 0.1 MHz.

Disc source

? "AUX EXT" is displayed without achieving External disc control mode.

- ✓ Unsupported disc changer is connected.
 - ℹ️ Use the disc changer mentioned in the 'About CD players/disc changers connected to this unit' (page 5) of the section on 'Safety precautions'.

? The specified disc does not play, but another one plays instead.

- ✓ The specified CD is quite dirty.
 - ℹ️ Clean the CD.
- ✓ The disc is loaded in a different slot from that specified.
 - ℹ️ Eject the disc magazine and check the number for the specified disc.
- ✓ The disc is severely scratched.
 - ℹ️ Try another disc instead.

? A CD ejects as soon as it is loaded.

- ✓ The CD is quite dirty.
 - ℹ️ Clean the CD, referring to the CD cleaning of the section on 'About CDs' (page 7).

? Can't remove disc.

- ✓ The cause is that more than 10 minutes has elapsed since the vehicle ACC switch was turned OFF.
 - ℹ️ The disc can only be removed within 10 minutes of the ACC switch being turned OFF. If more than 10 minutes has elapsed, turn the ACC switch ON again and press the Eject button.

? The disc won't insert.

- ✓ There's already another disc inserted.
 - ℹ️ Press the [▲] button and remove the disc.

? Direct Search can't be done.

- ✓ Another function is ON.
 - ℹ️ Turn Random Play or other functions OFF.

? Track Search can't be done.

- ✓ For the discs/folders first or last song.
 - ℹ️ For each disc/folder, Track Search can't be done in the backward direction for the first song or in the forward direction for the last song.

MP3/WMA source

? Cannot play an MP3/WMA.

- ✓ The media is scratched or dirty.
 - ℹ️ Clean the media, referring to the CD cleaning of the section on 'About CDs' (page 7).

? The sound skips when an MP3/WMA is being played.

- ✓ The media is scratched or dirty.
 - ℹ️ Clean the media, referring to the CD cleaning of the section on 'About CDs' (page 7).
- ✓ The recording condition is bad.
 - ℹ️ Record the media again or use another media.

? The MP3/WMA track time isn't displayed correctly.

- ✓ ---
 - ℹ️ There are times when it isn't displayed correctly according to the MP3/WMA recording conditions.

HD Radio source

? No sound can be heard, or the volume is low.

- ✓ The preset broadcast station is not transmitting in the mode that was set with 'Receive mode Setting' (page 28).
 - ℹ️ Please set 'Receive mode Setting' to "Auto".
- ✓ In digital AM broadcasting, receive mode switches between stereo and monaural too often.
 - ℹ️ Receiving condition is bad or unstable. Stereo is chosen when receiving condition is good, and it switches to monaural when the condition becomes bad.
- ✓ HD Radio tuner is connected to KCA-S210A or other units.
 - ℹ️ Connect the HD Radio tuner directly to the control unit.

If the following situations, consult your nearest service center:

Even though the disc changer is connected, the Disc Changer source is not ON, with "AUX EXT" showing in the display during the Changer Mode.

Troubleshooting Guide

The messages shown below display your systems condition.

EJECT:	No disc magazine has been loaded in the changer. The disc magazine is not completely loaded. ⇨ Load the disc magazine properly. No CD in the unit. ⇨ Insert the CD.
No Disc:	No disc has been loaded in the disc magazine. ⇨ Load a disc into the disc magazine.
TOC Error:	No disc has been loaded in the disc magazine. ⇨ Load a disc into the disc magazine. The CD is quite dirty. The CD is upside-down. The CD is scratched a lot. ⇨ Clean the CD and load it correctly.
E-05:	The CD is upside-down. ⇨ Load the CD correctly.
Blank Disc:	Nothing has been recorded on the MD.
No Track:	No tracks are recorded on the MD, although it has a title.
E-15:	Media was played that doesn't have data recorded that the unit can play. ⇨ Use media that has data recorded that the unit can play.
No Panel:	The faceplate of the slave unit being connected to this unit has been removed. ⇨ Replace it.
E-77:	The unit is malfunctioning for some reason. ⇨ Press the reset button on the unit. If the "E-77" code does not disappear, consult your nearest service center.
Mecha Error:	Something is wrong with the disc magazine. Or the unit is malfunctioning for some reason. ⇨ Check the disc magazine. And then press the reset button on the unit. If the "Mecha Error" code does not disappear, consult your nearest service center.
Hold Error:	The protective circuit in the unit activates when the temperature inside the automatic disc changer exceeds 60°C (140°F), stopping all operation. ⇨ Cool down the unit by opening the windows or turning on the air conditioner. As the temperature falls below 60°C (140°F), the disc will start playing again.

NO NAME:	<ul style="list-style-type: none">• Attempted to display DNPS during the CD play having no disc names preset.• Attempted to display the ID3 tag while the MP3/WMA having no ID3 tag is being played.
Load:	Discs are being exchanged in the Disc changer.
Reading:	The unit is reading the data on the disc.
NO ACCESS:	After setting it in the Disc Changer, DNPP was done without having it been played at least 1 time.
IN (Blink):	The CD player section is not operating properly. ⇨ Reinsert the CD. If the CD cannot be ejected or the display continues to flash even when the CD has been properly reinserted, please switch off the power and consult your nearest service center.
Unsupported:	A MP3/WMA is played with a format that this unit can't support. ⇨ ----
Protected:	A copy-protected file is played. ⇨ ----

Specifications

Specifications subject to change without notice.

FM tuner section

- Frequency range (200 kHz space)
 - : 87.9 MHz – 107.9 MHz
- Usable sensitivity (S/N = 30dB)
 - : 9.3dBf (0.8 μ V /75 Ω)
- Quieting Sensitivity (S/N = 50dB)
 - : 15.2dBf (1.6 μ V /75 Ω)
- Frequency response (\pm 3.0 dB)
 - : 30 Hz – 15 kHz
- Signal to Noise ratio (MONO)
 - : 70 dB
- Selectivity (\pm 400 kHz)
 - : \geq 80 dB
- Stereo separation (1 kHz)
 - : 40 dB

AM tuner section

- Frequency range (10 kHz space)
 - : 530 kHz – 1700 kHz
- Usable sensitivity (S/N = 20dB)
 - : 28 dB μ (25 μ V)

CD player section

- Laser diode
 - : GaAlAs
- Digital filter (D/A)
 - : 8 Times Over Sampling
- D/A Converter
 - : 1 Bit
- Spindle speed
 - : 1000 – 400 rpm (CLV 2times)
- Wow & Flutter
 - : Below Measurable Limit
- Frequency response (\pm 1 dB)
 - : 10 Hz – 20 kHz
- Total harmonic distortion (1 kHz)
 - KDC-X579: 0.008 %
 - KDC-MPV525/MPV5025/MP425: 0.01 %
- Signal to Noise ratio (1 kHz)
 - KDC-X579: 110 dB
 - KDC-MPV525/MPV5025/MP425: 105 dB
- Dynamic range
 - : 93 dB
- Channel separation
 - : 96 dB
- MP3 decode
 - : Compliant with MPEG-1/2 Audio Layer-3
- WMA decode
 - : Compliant with Windows Media Audio

Audio section

- Maximum output power
 - : 50 W x 4
- Full Bandwidth Power (at less than 1% THD)
 - : 22 W x 4
- Tone action
 - Bass : 100 Hz \pm 10 dB
 - Middle : 1 kHz \pm 10 dB
 - Treble : 10 kHz \pm 10 dB
- Preout level / Load (during disc play)
 - : 2000 mV/10 k Ω
- Preout impedance
 - : \leq 600 Ω

General

- Operating voltage (11 – 16V allowable)
 - : 14.4 V
- Current consumption
 - : 10 A
- Installation Size (W x H x D)
 - : 182 x 53 x 155 mm
 - 7-3/16 x 2-1/16 x 6-1/10 inch
- Weight
 - : 2.64 lbs (1.20 kg)

Table des matières

Précautions de sécurité 42

Remarques 44

Au sujet des CD 45

Remarques sur la lecture de MP3/WMA 46

Caractéristiques générales 48

Alimentation
Sélectionner la source
Volume
System Q
Commande du son
Réglage des enceintes
Mode de commutation de l'affichage
Nomination de Station/Disque (SNPS/DNPS)
Sélection de l'affichage d'entrée auxiliaire
Sortie de subwoofer
Façade antiviol
Sourdine TEL

Fonctions du tuner 53

Mode d'accord
Accord
Syntonisation à accès direct
Mémoire de station pré-réglée
Entrée en mémoire automatique
Accord pré-réglé

Fonctions de contrôle de CD/MP3/WMA/disque externe 55

Lire un disque extérieur
Lire des CD & MP3/WMA
Avance rapide et retour
Recherche de plage/fichier
Recherche de disque/dossier
Recherche directe de plage/fichier
Recherche directe de disque
Répétition de Plage/Fichier/Disque/Dossier
Lecture par balayage
Lecture aléatoire
Lecture aléatoire du chargeur
Sélection de dossier
Défilement du Texte/Titre
DNPP (Disc Name Preset Play)

Fonctions de commande radio HD 59

Accord
Entrée en mémoire automatique

A propos du menu 61

A propos du menu
Code de sécurité
Tonalité capteur tactile
Ajustement manuel de l'horloge
DSI (Disabled System Indicator)
Éclairage sélectionnable
Changement du type d'affichage
Réglage de la couleur d'éclairage
Réglage du contraste
Variateur d'intensité
Réglage System Q
Commutation de la sortie pré-amplifiée
Réglage de mise en sourdine de l'amplificateur intégré
Affichage de l'identification SIRIUS (ESN)
Système double zone
Réglage du Système double zone
B.M.S. (Bass Management System)
Compensation de la fréquence par B.M.S.
CRSC (Clean Reception System Circuit - Circuit de réception nette)
Défilement du texte
Réglage de lecture CD
Commandes AMP
Réglage du mode de réception
Mode d'accord
Entrée en mémoire automatique

Opérations de base de la télécommande 67

Accessoires/ Procédure d'installation 69

Connexion des câbles sur les prises 70

Installation 71

Retrait de l'appareil 73

Guide de dépannage 74

Spécifications 77

▲AVERTISSEMENT

Pour éviter toute blessure et/ou incendie, veuillez prendre les précautions suivantes:

- Insérez l'appareil à fond jusqu'à ce qu'il soit complètement calé. Sinon, il risquerait d'être projeté en cas de collisions ou de cahots.
- Si vous prolongez un câble d'alimentation, de batterie ou de masse, assurez vous d'utiliser un câble pour automobile ou un câble avec une section de 0,75mm² (AWG18) afin d'éviter tous risques de détérioration ou d'endommagement du revêtement des câbles.
- Pour éviter les court-circuits, ne jamais mettre ou laisser d'objets métalliques (comme une pièce de monnaie ou un outil en métal) à l'intérieur de l'appareil.
- Si l'appareil commence à émettre de la fumée ou une odeur bizarre, mettez immédiatement l'appareil hors tension et consultez un revendeur Kenwood.
- Faites attention de ne pas vous prendre les doigts entre la façade et l'appareil.
- Faites attention de ne pas laisser tomber l'appareil ou lui faire subir de chocs importants. L'appareil risque de se casser ou de se fêler car il contient des parties en verre.
- Ne touchez pas le cristal liquide si l'affichage LCD était endommagé ou cassé à cause d'un choc. Le cristal liquide peut être dangereux pour votre santé et même mortel. Si le cristal liquide de l'affichage LCD entrait en contact avec votre corps ou un vêtement, lavez-le immédiatement avec du savon.

▲ATTENTION

Pour éviter tout dommage à l'appareil, veuillez prendre les précautions suivantes:

- Assurez-vous de mettre l'appareil à la masse sur une alimentation négative de 12V CC.
- N'ouvrez pas le couvercle supérieur ou inférieur de l'appareil.
- N'installez pas l'appareil dans un endroit exposé directement à la lumière du soleil, à une chaleur excessive ou à l'humidité. Evitez aussi les endroits trop poussiéreux et où l'appareil risque d'être éclaboussé.
- Ne placez pas la façade amovible ou le boîtier de la façade dans un endroit exposé directement à la lumière du soleil, à une chaleur excessive ou à l'humidité. Evitez aussi les endroits trop poussiéreux et où la façade risque d'être éclaboussée.
- Pour éviter toute détérioration, ne touchez pas les contacts de l'appareil ou de la façade avec les doigts.
- Ne faites pas subir de chocs excessifs à la façade car elle fait partie d'un équipement de précision.
- Lors du remplacement d'un fusible, utilisez seulement un fusible neuf avec la valeur indiquée. L'utilisation d'un fusible d'une valeur différente peut être la cause d'un mauvais fonctionnement de votre appareil.
- Pour éviter les courts-circuits lors du remplacement d'un fusible, déconnectez d'abord le faisceau de câbles.
- Ne placez aucun objet entre la façade et l'appareil.
- Ne pas exercer une force excessive pour ouvrir la façade et ne pas placer d'objets sur la façade, sinon l'unité sera endommagée ou une panne risque de se produire.
- Pendant l'installation, n'utilisez aucunes autres vis que celles fournies. L'utilisation de vis incorrectes pourrait endommager l'appareil.

Au sujet des lecteurs de CD/changeurs de disque connectée à cet appareil

Les changeurs de disque/lecteurs de CD KENWOOD commercialisés en 1998 ou ultérieurement peuvent être connectés à cet appareil.

Veuillez-vous référer au catalogue ou consultez votre revendeur Kenwood pour les modèles de changeurs de disque/lecteurs de CD pouvant être connectés.

Veuillez prendre note que tous les changeurs de disque/lecteurs de CD KENWOOD commercialisés en 1997 ou précédemment et les changeurs de disque d'autres fabricants ne peuvent être connectés à cet appareil.

Les connexions non préconisées peuvent causer des dommages.

Réglage du commutateur O-N sur la position "N" pour les chargeurs de disque KENWOOD / lecteurs de CD KENWOOD applicables.

Les fonctions utilisables et les informations affichables diffèrent suivant les modèles connectés.



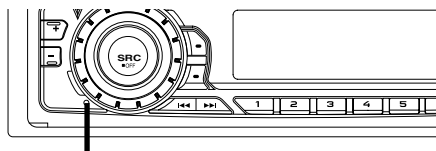
- Vous pouvez endommager à la fois votre appareil et le changeur de CD si vous les connectez incorrectement.

Ne chargez pas de CD de 8 cm (3 pouces) dans la fenêtre à CD

Si vous essayez de charger un CD de 8 cm avec son adaptateur dans l'appareil, l'adaptateur peut se séparer du CD et endommager l'appareil.

REMARQUE

- Si vous rencontrez des problèmes pendant l'installation, consultez votre revendeur Kenwood.
- Si l'appareil ne fonctionne pas correctement, appuyez sur la touche de réinitialisation. L'appareil retourne aux réglages de l'usine quand la touche de réinitialisation est pressée. Si l'appareil ne fonctionne toujours pas correctement après avoir appuyé sur la touche de réinitialisation, contactez votre revendeur local KENWOOD pour une assistance.
- Appuyez sur la touche de réinitialisation si le changeur automatique de disques fonctionne incorrectement. Les conditions de fonctionnement originales seront rappelées.



Touche de réinitialisation

- Les caractères de l'affichage LCD peuvent devenir difficiles à lire quand la température est inférieure à 5 °C (41 °F).
- Les illustrations de l'affichage et du panneau apparaissant dans ce manuel sont des exemples utilisés pour expliquer avec plus de clarté comment les commandes sont utilisées. Il est donc possible que les illustrations d'affichage puissent être différentes de ce qui réellement affiché sur l'appareil et aussi que certaines illustrations représentent des choses impossibles à réaliser en cours de fonctionnement.

Condensation sur la lentille

Juste après avoir mis le chauffage de la voiture par temps froid, de l'humidité risque de se former sur la lentille à l'intérieur du lecteur CD (voile). La reproduction de CD peut être impossible. Dans ce cas, retirez le disque et attendez que l'humidité s'évapore. Si l'appareil ne fonctionne toujours pas normalement après quelques temps, consultez votre revendeur Kenwood.

Remarques

Nettoyage de l'appareil

Si le panneau avant de cet appareil est taché, essuyez-le avec un chiffon sec et doux comme ceux au silicone. Si le panneau avant est très taché, essuyez-le avec un chiffon imbibé d'un produit de nettoyage neutre et ensuite essuyez toute trace de ce produit.



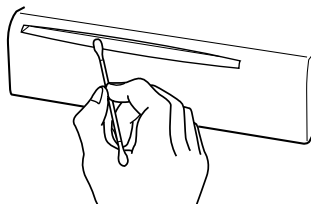
- La pulvérisation directe de produit de nettoyage sur l'appareil risque d'affecter les pièces mécaniques. L'utilisation d'un chiffon rugueux ou d'un liquide volatil tel que solvant ou alcool pour essuyer le panneau avant peut rayer la surface ou effacer des caractères.

Nettoyage des contacts de la façade

Si les contacts de l'appareil ou de la façade deviennent sales, essuyez-les avec un tissu sec et doux.

Nettoyage de la fente à CD

De la poussière peut s'accumuler dans la fenêtre à CD, nettoyez-la occasionnellement. Vos CD peuvent être rayés si vous les introduisez dans une fenêtre poussiéreuse.



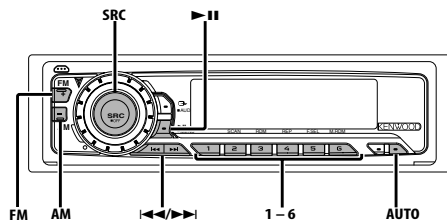
REMARQUE

Cet appareil numérique de la classe B est conforme à la norme NMB-003 du Canada.

Au sujet du tuner radio satellite SIRIUS

Veillez-vous référer au manuel d'utilisation du tuner radio satellite SIRIUS KTC-SR901/SR902 (en option), lorsque celui-ci est connecté, pour le mode de fonctionnement.

- Veuillez-vous référer aux sections des modèles A pour les instructions d'utilisation.



Au sujet des CD

Manipulation des CD

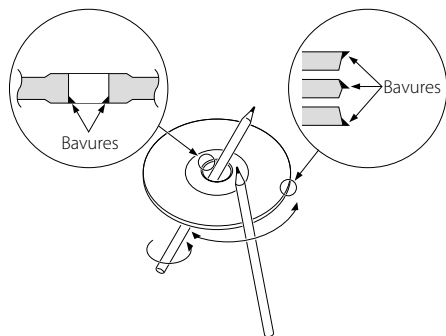
- Ne pas toucher la surface d'enregistrement d'un CD.



- Les CD-R et CD-RW sont plus fragiles que les CD de musique normaux. Utilisez un CD-R ou un CD-RW après avoir lu les mises en garde sur l'emballage, etc.
- Ne pas coller de ruban adhésif et autre sur les CD. Ne pas non plus utiliser de CD avec du ruban collé dessus.

Lors de l'utilisation d'un nouveau CD

Si le trou central ou le bord extérieur du CD comporte des bavures, ne l'utiliser qu'après les avoir retiré avec un stylo à bille ou autre.

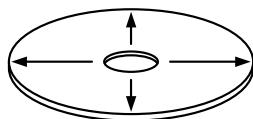


Accessoires de CD

Ne pas utiliser d'accessoires de type disque CD.

Nettoyage de CD

Nettoyez un CD en partant du centre vers l'extérieur.

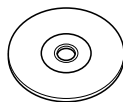


Retrait des CD

Pour retirer les CD de cet appareil, les extraire à l'horizontale.

CD qui ne peuvent être utilisés

- Les CD non circulaire ne peuvent être utilisés.



- Les CD comportant des colorations sur la surface d'enregistrement ou sales ne peuvent être utilisés.
- Cet appareil ne peut lire que les CD comportant



Il ne peut jouer les disques qui ne comportent pas la marque.

- Un CD-R ou CD-RW qui n'a pas été finalisé ne peut être lu. (pour le procédé de finalisation, veuillez consulter votre programme de gravure de CD-R/CD-RW et les instructions du manuel d'utilisation de votre graveur de CD-R/CD-RW).

Rangement des CD

- Ne pas les placer à la lumière solaire directe (sur le siège ou tableau de bord, etc.) et dans les endroits où la température est élevée.
- Rangez les CD dans leur boîtier.

Remarques sur la lecture de MP3/WMA

Notez, cependant, que les MP3/WMA et les formats acceptables sont limités. Pour la gravure de MP3/WMA, soyez attentifs aux restrictions suivantes.

Supports acceptables

Les supports d'enregistrement MP3/WMA acceptables dans cet appareil sont les CD-ROM, CD-R et CD-RW. Lorsque vous utilisez le CD réinscriptible et afin d'éviter tout dysfonctionnement, procédez au formatage complet et non au seul formatage rapide.

Formats de support acceptables

Les formats de supports suivants peuvent être utilisés dans cet appareil. Le nombre maximum de caractères utilisés pour le nom de fichier et de dossier, y compris le délimiteur ("") et les trois caractères de l'extension, est indiqué entre parenthèses.

- ISO 9660 Niveau 1 (12 caractères)
- ISO 9660 Niveau 2 (31 caractères)
- Joliet (64 caractères ;Jusqu'à 32 caractères sont affichés)
- Romeo (128 caractères ;Jusqu'à 64 caractères sont affichés)
- Nom de fichier long (200 caractères ;Jusqu'à 64 caractères sont affichés)
- Nombre maximum de caractères pour les noms de dossier: 64 (Joliet ;Jusqu'à 32 caractères sont affichés)

Une liste des caractères est incluse dans le mode d'emploi du logiciel d'écriture ainsi que dans la section Entrée de noms de fichiers et de dossiers ci-dessous. Les supports utilisables dans cette unité sont restreints aux limitations suivantes:

- Nombre maximum de niveaux de dossiers: 8
- Nombre maximum de fichiers par dossier: 255
- Nombre maximum de dossiers: 50

Les MP3/WMA écrits dans d'autres formats que ceux indiqués ci-dessus risquent de ne pas être correctement lus et leurs noms de fichiers risquent de ne pas être correctement affichés.

Réglages de votre décodeur MP3/WMA et graveur de CD

Effectuer le réglage suivant lors de la compression de données MP3/WMA à l'aide d'un codeur MP3/WMA.

- Débit de Transfer: MP3: 8 —320 kbps
WMA: 48 —192 kbps
- Fréquence d'échantillonnage:
MP3: 8, 11.025, 12, 16, 22.05, 24, 32, 44.1, 48 kHz
WMA: 32, 44.1, 48 kHz

Lorsque vous utilisez votre graveur de CD pour enregistrer des fichiers MP3/WMA jusqu'au maximum de la capacité du disque, désactivez l'écriture supplémentaire. Pour l'enregistrement sur un disque vierge jusqu'au maximum de la capacité, vérifiez la fonction "Disc at Once".



- Une lecture correcte peut ne pas être possible lorsqu'une partie des fonctions de Windows Media Player 9 ou supérieur est utilisée.

Entrée d'étiquette ID3

La balise ID3 affichable est l'ID3 version 1.x. En ce qui concerne le code des caractères, se référer à la liste des codes.

	0	1	2	3	4	5	6	7	8	9	A	B	C	D	E	F
0				0	@	P	p				²	À	Ä	ä	å	
1				1	A	O	a	Q	q		±	Å	Ñ	ñ		
2				"	B	R	b	r			³	Á	Ö	ö	ø	
3				#	3	C	c	S	s		´	Â	Ó	ó		
4				\$	4	D	d	T	t		ˆ	Ä	Ö	ö		
5				%	5	E	e	U	u		¥	µ	À	Ö	ä	å
6				&	6	F	f	V	v		¦	Æ	Ø	ø		
7				'	7	G	g	W	w		§	Ç	×	±		
8				(8	H	h	X	x		¨	É	Ú	ú		
9)	9	I	i	Y	y		©	¹	É	Ú	é	ù
A				*	:	J	Z	J	z		ª	ª	É	Ú	é	ù
B				+	:	K	k	¿	¿		«	»	É	Ú	é	ù
C				,	<	L	l	I	i		¬	½	Ì	Í	ì	í
D				-	=	M	m	}	}		®	¾	Ì	Í	ì	í
E				.	>	N	n	~	~		©	¾	Ì	Í	ì	í
F				/	?	O	o	■	■		™	¿	Ì	Í	ì	í

Entrer les noms des fichiers et des dossiers

Les caractères de la liste des codes sont les seuls noms de fichier et de dossier pouvant être saisis et affichés. Si vous utilisez d'autres caractères pour ces entrées, les noms de fichier et de dossier ne s'afficheront pas correctement. Ils peuvent ne pas être affichés correctement en fonction du graveur de CD utilisé. L'appareil reconnaît et lit uniquement les fichiers MP3/WMA qui ont l'extension de nom de fichier MP3/WMA (.MP3/.WMA).



- Un fichier portant un nom saisi à l'aide de caractères ne figurant pas sur la liste des codes peut ne pas être lu correctement.

Graver des fichiers sur un support

Lorsqu'un support contenant des données MP3/WMA est chargé, l'appareil vérifie tous les fichiers sur le support. Si le support contient beaucoup de dossiers ou de fichiers qui ne sont pas de type MP3/WMA, l'appareil met beaucoup de temps avant de commencer la lecture des fichiers MP3/WMA. De plus, il est possible que le passage au fichier MP3/WMA suivant prenne du temps ou que la recherche de fichier ou de dossier ne s'effectue sans heurt.



Le fait de charger un support qui produit du bruit risque d'endommager les enceintes.

- N'essayez pas de lire un support contenant un fichier qui n'est pas de type MP3/WMA portant l'extension MP3/WMA. L'appareil risque de considérer des fichiers qui ne sont pas de type MP3/WMA comme des fichiers MP3/WMA si ils ont l'extension MP3.
- N'essayez pas de lire un support contenant des fichiers qui ne sont pas de type MP3/WMA.

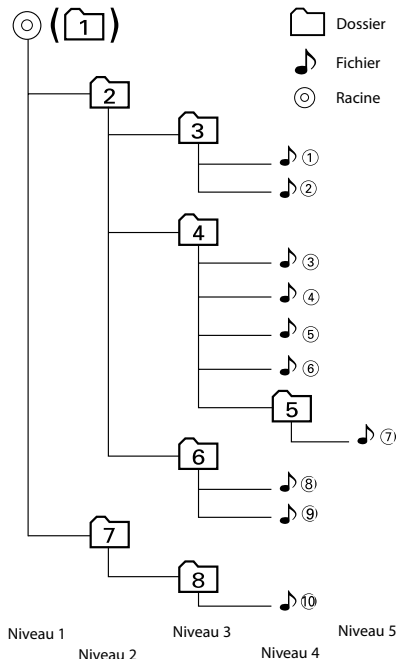
Ordre de lecture d'un fichier MP3/WMA

Lorsqu'ils sont sélectionnés pour la lecture, la recherche de fichiers ou de dossiers, ces derniers sont parcourus dans l'ordre d'écriture effectué par le graveur de CD.

Pour cette raison, l'ordre dans lequel ils devraient être lus ne correspond pas à l'ordre dans lequel ils seront effectivement lus. Vous pouvez régler l'ordre dans lequel les fichiers MP3/WMA doivent être lus en les gravant sur un support, par exemple un CD-R avec leurs noms de fichier commençant par le numéro d'ordre de lecture, ex. "01" à "99", en fonction de votre graveur de CD.

Par exemple, un support comportant la hiérarchie de dossiers/fichiers suivante est soumis à la recherche de dossiers, de fichiers ou de sélection de dossiers comme indiqué ci-dessous.

Exemple de hiérarchie d' dossiers / Fichiers de média



Lorsque la recherche de fichiers est exécutée avec le fichier 🎵(4) en cours de lecture...

Opération de la touche	(Fichier en cours: 🎵(4))
Touche ⏮	Début de la fichier 🎵(4) → 🎵(3)
Touche ⏭	🎵(5) → 🎵(6)

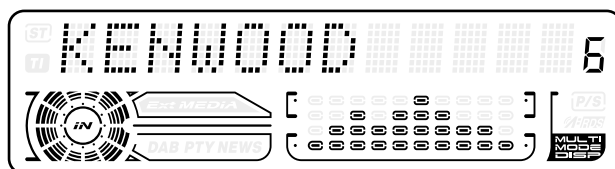
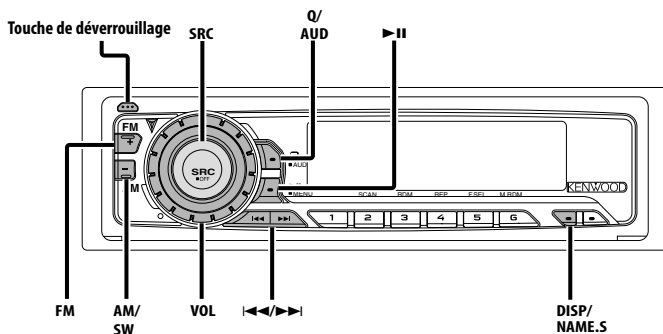
Lorsque la recherche de dossiers est exécutée avec le fichier 🎵(4) en cours de lecture...

Opération de la touche	(Dossier en cours: 📁(4))
Touche AM	📁(3) → 📁(2) → 📁(1) → 📁(8) ...
Touche FM	📁(5) → 📁(6) → 📁(7) → 📁(8) → 📁(1) ...

Lorsque la sélection de dossiers est sélectionnée avec le fichier 🎵(4) en cours de lecture pour se déplacer de dossier...

Opération de la touche	(Dossier en cours: 📁(4))
Touche ⏮	📁(3)
Touche ⏭	📁(6)
Touche AM	📁(2)
Touche FM	📁(5)

Caractéristiques générales



Alimentation

Allumer l'alimentation

Appuyez sur la touche [SRC].

Eteindre l'alimentation

Appuyez sur la touche [SRC] pendant au moins 1 seconde.

Sélectionner la source

Appuyez sur la touche [SRC].

Source requise	Affichage
Tuner SIRIUS (Accessoire optionnel)	"SIRIUS"
Tuner ou Radio HD (Accessoire optionnel)	"TUNER" ou "HD Radio"
CD	"CD"
Disque extérieur (Accessoire optionnel)	"CD CH"/"CD2"
Entrée auxiliaire (Accessoire optionnel)	"AUX EXT"
Veille (Mode éclairage seulement)	"STANDBY"

Volume

Augmenter le volume

Tournez le bouton [VOL] dans le sens des aiguilles d'une montre.

Baisser le volume

Tournez le bouton [VOL] dans le sens inverse des aiguilles d'une montre.

System Q

Vous pouvez rappeler le meilleur réglage de son pré-réglé pour différents types de musique.

1 Sélectionnez la source à régler

Appuyez sur la touche [SRC].

2 Sélectionnez le type de son

Appuyez sur la touche [Q].

Chaque fois que l'on appuie sur la touche, le réglage du son change.

Réglage du son	Affichage
Flat (Normal)	"Flat"
Mémoire utilisateur	"User"

Rock	"Rock"
Pops (Musique pop)	"Pops"
Easy (Ambiance)	"Easy"
Top 40	"Top40"
Jazz	"Jazz"



- Mémoire utilisateur: Les valeurs réglées sur la 'Commande du son' (page 49).
- Chaque valeur de réglage est changée avec le 'Réglage des enceintes' (page 50).
D'abord, sélectionnez le type d'enceinte avec le Réglage des enceintes.

Commande du son

1 Sélectionnez la source pour l'ajustement
Appuyez sur la touche [SRC].

2 Entrez en mode de commande du son
Appuyez sur la touche [AUD] pendant au moins 1 seconde.

3 Sélectionnez l'élément audio pour l'ajustement
Appuyez sur la touche [FM] ou [AM].

Chaque fois que l'on appuie sur la touche, les éléments qui peuvent être ajustés défilent de la manière décrite ci-dessous.

4 Ajustez l'élément audio
Appuyez sur la touche [◀◀] ou [▶▶].

Élément d'ajustement	Affichage	Gamme
Fréquences centrales grave* ²	"Bass F"	60/70/80/100 ou 150 Hz
Niveau des graves	"Bass"	-8 — +8
Facteur de qualité Q des graves* ²	"Bass Q"	1,00/1,25/1,50/2,00
Extension des graves* ²	"Bass EXT"	Activé/Désactivé
Fréquences centrales moyennes* ²	"MID F"	0,5/1,0/1,5/2,0 kHz
Niveau des fréquences moyennes	"Middle"	-8 — +8
Facteur qualité Q des fréquences moyennes* ²	"Middle Q"	1,0/2,0
Fréquences aiguës centrales* ²	"TRE F"	10,0/12,5/15,0/17,5 kHz
Niveau des aigus	"Treble"	-8 — +8
Balance	"Balance"	Gauche 15 — Droiteight 15
Balance avant/arrière	"Fader"	Arrière 15 — Avant 15

Niveau sub woofer* ¹	"SW Level"	-15 — +15
Filtre passe-haut avant* ²	"HPF F"	Aucun/100/125/170 Hz
Filtre passe-haut arrière* ²	"HPF R"	Aucun/200 Hz
Filtre passe haut avant/ arrière	"HPF"	Aucun/100/125/170 Hz
Filtre passe-bas du subwoofer* ¹	"LPF SW"	50/80/120/Aucun Hz
Compensation du volume	"V-offset"	-8 — +0
Bruit	"LOUD"	Activé/Désactivé



- Q, les fréquences pouvant être configurées dans Fréquences centrales graves changent de la manière suivante.

Facteur de qualité Q des graves	Fréquence centrale des Basses
1,00/1,25/1,50	60/70/80/100
2,00	60/70/80/150

- Lorsque l'Extension des graves est activée, la réponse basse fréquence est étendue de 20%.
- Compensation du volume:
Le volume de chaque source peut être réglé différemment du volume de base.
- Bruit: Compenser les graves et les aigus lorsque le volume est bas.
- *¹ Vous pouvez contrôler cet élément lorsque la 'Commutation de la sortie pré-amplifiée' (page 64) est réglée sur "SWPRE Sub-W".
- *² Fonction du KDC-X579

5 Sortez du mode de commande du son
Appuyez sur la touche [AUD].

Caractéristiques générales

Réglage des enceintes

Accord fin pour que la valeur du System Q soit optimale en réglant le type d'enceinte.

1 Entrez en Veille

Appuyez sur la touche [SRC].

Sélectionnez l'affichage "STANDBY".

2 Entrez en mode de réglage des enceintes

Appuyez sur la touche [Q].

3 Sélectionnez le type d'enceinte

Appuyez sur la touche [◀◀] ou [▶▶].

Chaque fois que l'on appuie sur la touche, le réglage change de la manière suivante.

Type d'enceinte	Affichage
ETEINT	"SP OFF"
Pour enceinte 5 & 4 pouces	"SP 5/4inch"
Pour enceinte 6 & 6x9 pouces	"SP 6*9/6inch"
Pour enceinte OEM	"SP O.E.M."

4 Sortez du mode de réglage des enceintes

Appuyez sur la touche [Q].

Mode de commutation de l'affichage

Changer les informations affichées.

Appuyez sur la touche [DISP].

Chaque fois que l'on appuie sur la touche, l'affichage change de la manière suivante.

En source tuner

Information	Affichage
Nom de la station ou Fréquence	"SNPS"
Fréquence	"BAND+FREQ"
Horloge	

En source CD et disque extérieur

Information	Affichage
Titre du disque	"D-TITLE"
Titre de la plage	"T-TITLE"
Numéro de plage & Temps de lecture	"P-Time"
Nom du disque	"DNPS"
Horloge	

En source MP3/WMA

Information	Affichage
Titre de chanson & Nom d'artiste	"TITLE"
Nom d'album & Nom d'artiste	"ALBUM"

Nom du dossier	"FOLDER NAME"
Nom du fichier	"FILE NAME"
Numéro de plage & Temps de lecture	"P-Time"
Horloge	

En source radio HD

Information	Affichage
Nom de la station	"Station Name"
Titre de chanson/ Nom d'artiste/	"Title"
Nom d'album/ Jeu	
Fréquence	"Frequency"
Horloge	

Avec source d'entrée auxiliaire

Information
Nom de l'entrée auxiliaire
Horloge



- Si le titre du disque, le titre de la plage, le titre de la chanson, ou le nom de l'album et le nom de l'artiste est sélectionné lorsqu'un disque qui n'a ni titre de disque, ni titre de plage, ni titre de chanson, ni nom d'album, ni nom d'artiste est joué, le numéro de la plage et le temps de lecture s'affichent.

Nomination de Station/Disque (SNPS/DNPS)

Attribuer un titre à une Station ou à un CD.

1 Mettez la station/le disque auxquels vous souhaitez attribuer un nom



- On ne peut pas attribuer un titre à un MD.
- Référez-vous au "Mode de commutation de l'affichage" (page 50) et sélectionnez l'affichage "DNPS" ou l'affichage "SNPS". Aucun nom ne peut être associé à la source si "DNPS" ou "SNPS" ne peuvent être sélectionnés pour elle.

2 Entrez en mode de définition du nom Appuyez sur la touche [NAME.S] pendant au moins 2 secondes.

"NAME SET" est affiché.

3 Mettez le curseur en position de saisie de caractère

Appuyez sur la touche [◀◀] ou [▶▶].

4 Sélectionnez le type de caractère

Appuyez sur la touche [►II].

Chaque fois que l'on appuie sur la touche, le type de caractère change de la manière suivante.

Type de caractère

Alphabet haut de casse

Alphabet bas de casse

Chiffres et symboles

Caractères spéciaux (Caractères accentués)

5 Sélectionnez les caractères

Appuyez sur la touche [FM] ou [AM].



- Les caractères peuvent être saisis à l'aide d'une télécommande à touches numériques.
Exemple: Si l'on saisit "DANCE".

Caractère	Touche	Nombre de pressions
"D"	[3]	1
"A"	[2]	1
"N"	[6]	2
"C"	[2]	3
"E"	[3]	2

6 Répétez les étapes 3 à 5 et saisissez le nom.

7 Sortez du mode de définition de nom

Appuyez sur la touche [NAME.S].



- Lorsque l'opération est interrompue pendant 10 secondes, le nom alors présent est enregistré et le mode de définition de nom est fermé.
- Numéros de mémoire
 - FM: 32 stations
 - AM: 16 stations
 - Lecteur CD interne: 30 disques
 - Changeur/lecteur de CD externe : Cela varie en fonction du changeur/lecteur de CD. Référez-vous au manuel du changeur/lecteur de CD.
- Le titre de la station/du CD peut être changé en suivant la même procédure que pour le nommer.

Sélection de l'affichage d'entrée auxiliaire

Sélectionner l'affichage lorsque ce périphérique est commuté sur une source d'entrée interne auxiliaire.

1 Sélectionnez la source d'entrée auxiliaire

Appuyez sur la touche [SRC].

Sélectionnez l'affichage "AUX EXT"

2 Entrez en mode de sélection de l'affichage d'entrée auxiliaire

Appuyez sur la touche [DISP] pendant au moins 2 secondes.

Le nom de l'AUX actuellement sélectionné est clignotements.

3 Sélectionnez la source d'entrée auxiliaire

Appuyez sur la touche [◀◀] ou [▶▶].

Chaque fois que l'on appuie sur la touche, on passe aux affichages ci-dessous.

- "AUX EXT"
- "TV"
- "VIDEO"
- "GAME"
- "PORTABLE"
- "DVD"

4 Sortez du mode de sélection de l'affichage d'entrée auxiliaire

Appuyez sur la touche [DISP].



- Lorsque l'opération est interrompue pendant 10 secondes, le nom alors présent est sélectionné et le mode de sélection d'affichage d'entrée auxiliaire est fermé.
- L'affichage d'entrée auxiliaire peut être réglé seulement lorsque l'entrée auxiliaire intégrée ou l'entrée auxiliaire du KCA-S210A est utilisée.

Caractéristiques générales

Sortie de subwoofer

Activer ou désactiver la sortie du subwoofer.

Appuyez sur la touche [SW] pendant au moins 1 seconde.

Chaque fois que la touche est enfoncée la sortie du subwoofer est activée ou désactivée. Lorsqu'elle est activée, "Sub-W ON" est affiché.



- Vous pouvez contrôler cette fonction lorsque la 'Commutation de la sortie pré-amplifiée' (page 64) est réglée sur "SWPRE Sub-W". (KDC-MPV525/MPV5025/MP425 seulement)

Façade antivol

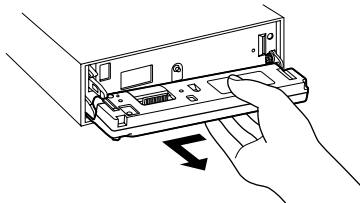
Vous pouvez détacher la façade de l'appareil et l'emporter avec vous, ce qui permet d'éviter les vols.

Retirer la façade

1 Appuyez sur la touche de détachement.

Ouvrez la façade en la laissant tomber vers le bas.

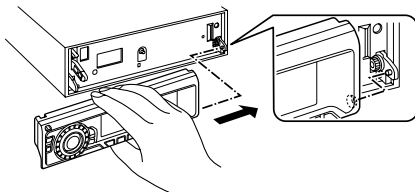
2 En tirant la façade vers la gauche, tirez-la vers l'avant et retirez-la.



- La façade est une pièce de précision de l'équipement et elle peut être endommagée en cas de chocs ou de secousses. C'est pourquoi, vous devez garder la façade dans sa boîte spéciale lorsqu'elle est détachée.
- N'exposez pas la façade ou sa boîte aux rayons du soleil, à des températures excessives ou à l'humidité. Évitez aussi les endroits trop poussiéreux et où l'appareil risque d'être éclaboussé.

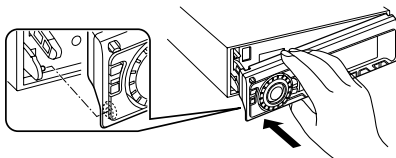
Remettre en place la façade

1 Aligned l'axe sur l'appareil avec le creux situé sur la façade.



2 Poussez la façade jusqu'au clic.

La façade est verrouillée en position et vous pouvez alors utiliser l'appareil.



Sourdine TEL

Le son est automatiquement coupé lorsqu'un appel est reçu.

Lorsqu'un appel est reçu

"CALL" est affiché.

Le système audio se met en pause.

Ecouter l'autoradio pendant un appel

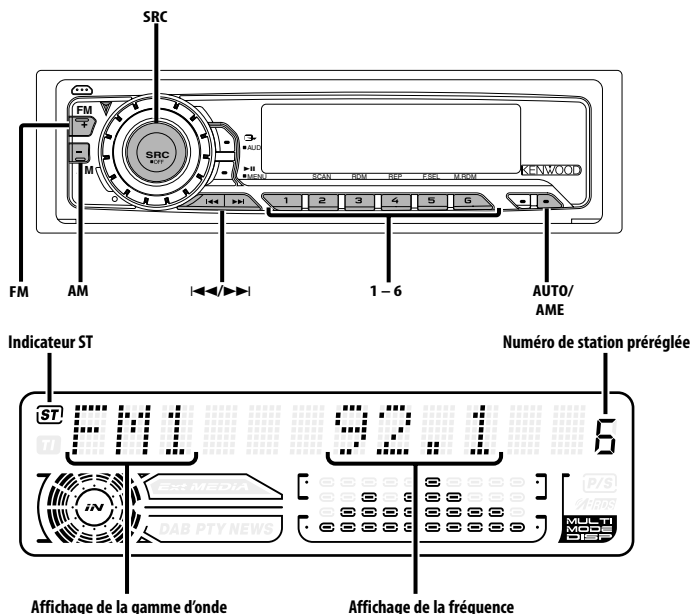
Appuyez sur la touche [SRC].

L'affichage "CALL" disparaît et le système audio se remet en marche.

A la fin de l'appel

Raccrochez le téléphone.

L'affichage "CALL" disparaît et le système audio se remet en marche.



Mode d'accord

Choisissez le mode d'accord.

Appuyez sur la touche [AUTO].

Chaque fois que l'on appuie sur la touche, le mode d'accord change de la manière suivante.

Mode d'accord	Affichage	Opération
Recherche automatique	"Auto 1"	Recherche automatique d'une station.
Recherche de station pré-réglée	"Auto 2"	Recherche dans l'ordre dans la mémoire de pré-réglage.
Manuel	"Manual"	Contrôle de l'accord manuel normal.

Accord

Sélectionner la station.

1 Sélectionnez la source tuner

Appuyez sur la touche [SRC].
Sélectionnez l'affichage "TUNER".

2 Sélectionnez la bande

Appuyez sur la touche [FM] ou [AM].

Chaque fois que l'on appuie sur la touche [FM] la gamme d'onde change parmi FM1, FM2 et FM3.

3 Réglez une bande supérieure ou inférieure

Appuyez sur la touche [◀◀] ou [▶▶].



- Pendant la réception de stations stéréo, l'indicateur "ST" est allumé.

Fonctions du tuner

Fonction de commande à distance

Syntonisation à accès direct

Entrer dans le mode fréquence et accord.

- Sélectionnez la bande**
Appuyez sur la touche [FM] ou [AM].
- Entrez en mode de syntonisation à accès direct**
Appuyez sur la touche [DIRECT] de la télécommande.
"- - - -" est affiché.

- Saisissez la fréquence**
Appuyez sur les touches numériques de la télécommande.

Exemple:

Fréquence souhaitée	Appuyez sur la touche
92,1 MHz (FM)	[0], [9], [2], [1]
810 kHz (AM)	[0], [8], [1], [0]

Annuler la syntonisation à accès direct

Appuyez sur la touche [DIRECT] de la télécommande.

Mémoire de station pré-réglée

Mettre la station en mémoire.

- Sélectionnez la bande**
Appuyez sur la touche [FM] ou [AM].
- Sélectionnez la fréquence à mettre en mémoire**
Appuyez sur la touche [◀◀] ou [▶▶].
- Mettez en mémoire la fréquence**
Appuyez sur la touche souhaitée [1] — [6] pendant au moins 2 secondes.
Le numéro pré-réglé affiché clignote 1 fois.
Sur chaque bande, 1 station peut être mise en mémoire sur chaque touche [1] — [6].

Entrée en mémoire automatique

Mettre automatiquement en mémoire les stations dont la réception est bonne.

- Sélectionnez la bande pour l'entrée en mémoire automatique**
Appuyez sur la touche [FM] ou [AM].
- Ouvrez le mode entrée en mémoire automatique**
Appuyez sur la touche [AME] pendant au moins 2 secondes.

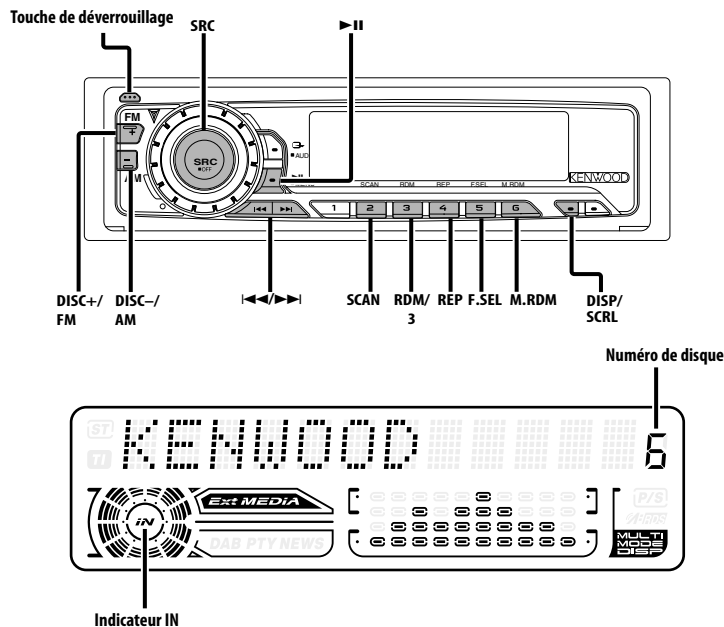
Lorsque 6 stations qui peuvent être captées sont mises en mémoire, le mode entrée en mémoire automatique est fermé.

Accord pré-réglé

Rappeler les stations mises en mémoire.

- Sélectionnez la bande**
Appuyez sur la touche [FM] ou [AM].
- Rappelez la station**
Appuyez sur la touche souhaitée [1] — [6].

Fonctions de contrôle de CD/MP3/WMA/disque externe



Lire un disque extérieur

Lire des disques présents dans le lecteur de disque optionnel connecté à cet appareil.

Appuyez sur la touche [SRC].

Sélectionnez l'affichage pour le lecteur de disque que vous désirez.

Exemples d'affichage:

Affichage	Lecteur de disque
"CD2"	Lecteur de CD
"CD CH"	Changeur de CD
"MD CH"	Changeur de MD

Pause et lecture

Appuyez sur la touche [▶||].

Chaque fois que l'on appuie sur ce bouton, il se met en pause ou en lecture.



- Le disque 10 est affiché comme "0".
- Les fonctions pouvant être utilisées et les informations affichées peuvent être différentes suivant les lecteurs de disques externes connectés.

Fonctions de contrôle de CD/MP3/WMA/disque externe

Lire des CD & MP3/WMA

Lorsqu'il n'y a pas de disque

1 Ouvrir la façade en la laissant tomber vers le bas

Appuyez sur la touche de détachement.

2 Insérez un disque.

3 Appuyez sur le côté gauche de la façade et retournez-la pour la remettre dans sa position précédente.



- Lorsque la façade a été ouverte vers le bas, elle pourrait gêner le levier de déplacement ou autre chose. Si cela se produit, faites attention et déplacez le levier de déplacement ou prenez une mesure appropriée, puis faire fonctionner l'appareil.
- N'utilisez pas l'appareil avec façade ouverte. S'il est utilisé avec façade ouverte, de la poussière peut pénétrer à l'intérieur et endommager les pièces internes.



- Lorsqu'un disque est présent dans l'appareil, l'indicateur "IN" est allumé.

Lorsqu'il y a un disque

Appuyez sur la touche [SRC].

Sélectionnez l'affichage "CD".

Pause et lecture

Appuyez sur la touche [▶||].

Chaque fois que l'on appuie sur ce bouton, il se met en pause ou en lecture.

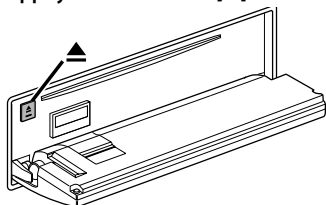
Ejectez le disque

1 Ouvrir la façade en la laissant tomber vers le bas

Appuyez sur la touche de détachement.

2 Ejectez le disque

Appuyez sur la touche [▲].



3 Appuyez sur le côté gauche de la façade et retournez-la pour la remettre dans sa position précédente.



- Les disques de 3 pouces (8cm) ne peuvent pas être lus. Utiliser un adaptateur et les insérer dans cet appareil pourrait causer des dégâts.



- Les supports MP3/WMA que cet appareil peut lire sont des CD-ROM, CD-R, et CD-RW. Les formats des supports doivent être ISO 9660 Niveau 1, Niveau 2, Joliet, ou Romeo. Les méthodes et précautions à suivre pour écrire des données MP3/WMA sont abordées à la section 'Remarques sur la lecture de MP3/WMA' (page 46). Vérifiez cette section avant de créer votre support MP3/WMA.

Avance rapide et retour

Avance rapide

Maintenez la touche [▶▶] enfoncée.

Relâchez la touche pour reproduire le disque à partir de ce point.

Retour

Maintenez la touche [◀◀] enfoncée.

Relâchez la touche pour reproduire le disque à partir de ce point.

Recherche de plage/fichier

Recherche de chanson ou de disque dans le dossier MP3/WMA.

Appuyez sur la touche [◀◀] ou [▶▶].

Fonction du changeur de disques/MP3/WMA

Recherche de disque/dossier

Sélectionner le disque activé dans le changeur de disques ou le dossier enregistré sur le support MP3/WMA.

Appuyez sur la touche [DISC-] ou [DISC+].

Fonction de commande à distance

Recherche directe de plage/fichier

Recherche directe de plage/fichier par la saisie du numéro de plage/fichier.

1 Entrez le numéro de plage/fichier

Appuyez sur les touches numériques de la télécommande.

2 Effectuez une recherche de plage/fichier

Appuyez sur la touche [◀◀] ou [▶▶].

Annulation d'une recherche de plage/fichier

Appuyez sur la touche [▶II].

Fonction de changeurs de disques avec commande à distance

Recherche directe de disque

Exécuter la recherche de disque en saisissant le numéro de disque.

1 Saisissez le numéro de disque

Appuyez sur les touches numériques de la télécommande.

2 Effectuez une recherche de disque

Appuyez sur la touche [DISC+] ou [DISC-].

Annulation d'une recherche directe de disque

Appuyez sur la touche [▶II].



- Tapez "0" pour sélectionner le disque 10.

Répétition de Plage/Fichier/Disque/Dossier

Réécouter la chanson, le disque dans le changeur de disque ou le dossier MP3/WMA que vous êtes en train d'écouter.

Appuyez sur la touche [REP].

Chaque fois que l'on appuie sur le bouton, la fonction Répétition de la lecture change de la manière suivante.

En source CD & disque externe

Répétition de la lecture	Affichage
Répétition de plage	"(T-)Repeat ON"

Répétition de disque (Dans le changeur de disque)	"D Repeat ON"
Désactivé	"Repeat OFF"

En source MP3/WMA

Répétition de la lecture	Affichage
Répétition de fichier	"File REP ON"
Répétition de dossier	"FOLD REP ON"
Désactivé	"Repeat OFF"

Lecture par balayage

Ecouter le début de chaque chanson du disque ou le dossier MP3/WMA que vous écoutez et rechercher la chanson que vous souhaitez écouter.

1 Lancement de la lecture par balayage

Appuyez sur la touche [SCAN].

"Scan ON" est affiché.

2 Relâchez la touche lorsque vous entendez la chanson que vous souhaitez écouter

Appuyez sur la touche [SCAN].

Lecture aléatoire

Ecoutez toutes les chansons du disque ou du dossier MP3/WMA dans un ordre aléatoire.

Appuyez sur la touche [RDM].

Chaque fois que l'on appuie sur la touche, la lecture aléatoire est activée ou désactivée. Lorsqu'elle est activée, "Random ON" est affiché.



- Lorsque l'on appuie sur la touche [▶▶], la chanson suivante sélectionnée commence.

Fonctions de contrôle de CD/MP3/WMA/disque externe

Fonction du changeur de disque

Lecture aléatoire du chargeur

Écoutez les chansons de tous les disques présents dans le changeur de disque dans un ordre aléatoire.

Appuyez sur la touche [M.RDM].

Chaque fois que l'on appuie sur la touche, la lecture aléatoire du chargeur est activée ou désactivée.

Lorsqu'elle est activée, "M-Random ON" est affiché.



- Lorsque l'on appuie sur la touche [▶▶], la chanson suivante sélectionnée commence.

Fonction du support MP3/WMA

Sélection de dossier

Sélectionner rapidement le dossier que vous voulez écouter.

1 Entrer en mode de sélection de dossier

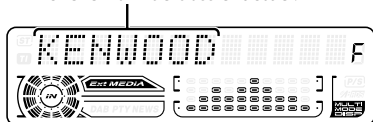
Appuyez sur la touche [F.SEL].

"Select Mode" est affiché.

Pendant le mode de sélection, les informations concernant le dossier sont affichées comme suit.

Affichage du nom de dossier

Affiche le nom de dossier actuel.



2 Sélectionnez le niveau du dossier

Appuyez sur la touche [FM] ou [AM].

Avec la touche [FM] vous diminuez d'un niveau et avec la touche [AM] vous augmentez d'un niveau.

Sélectionner un dossier dans le même niveau

Appuyez sur la touche [◀◀] ou [▶▶].

Avec la touche [◀◀] vous passez au dossier précédent, et avec la touche [▶▶] vous passez au dossier suivant.

Retourner au niveau le plus haut

Appuyez sur la touche [3].

3 Décidez quel dossier vous voulez écouter

Appuyez sur la touche [▶II].

Lorsque l'on quitte le mode de sélection de dossier, le MP3/WMA qui se trouve dans le dossier affiché est joué.



- Les méthodes de déplacement vers d'autres dossiers en mode de sélection de dossier sont différentes de celles en mode de recherche de dossier. Pour plus de détails, voir la section 'Remarques sur la lecture de MP3/WMA' (page 46).

Annulation du mode de sélection de dossier

Appuyez sur la touche [F.SEL].

Défilement du Texte/Titre

Faire défiler le texte du CD affiché, le texte du MP3/WMA, ou le titre du MD.

Appuyez sur la touche [SCRL] pendant au moins 1 seconde.

Fonction de changeurs de disques avec commande à distance

DNPP (Disc Name Preset Play)

Sélectionner le CD affiché dans le DNPS des CDs activés dans le changeur de disque.

1 Entrez en mode DNPP

Appuyez sur la touche [DNPP] sur la télécommande.

Lorsque "DNPP" est affiché, le DNPS est affiché dans l'ordre.

Affichage normal / sens inverse

Appuyez sur la touche [DISC-] ou [DISC+].

2 Lorsque le disque que vous voulez est affiché

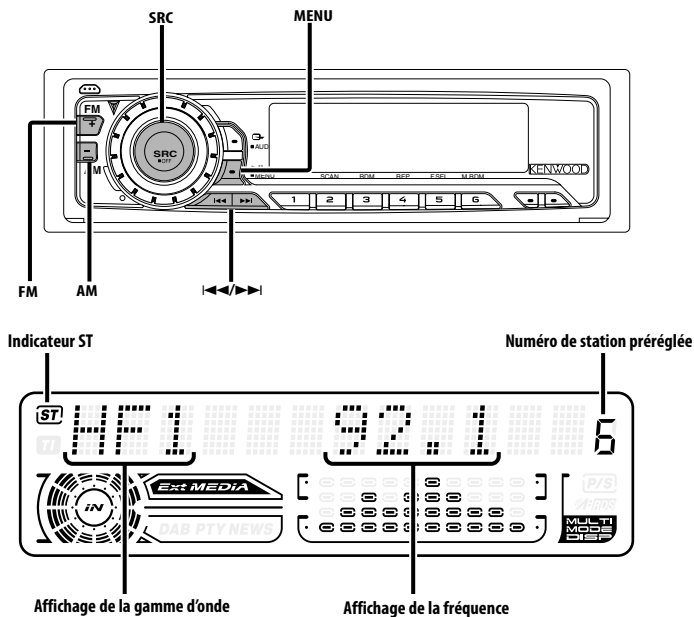
Appuyez sur la touche [OK] de la télécommande.

Le disque affiché est en cours d'écoute.

Annuler le mode DNPP

Appuyez sur la touche [DNPP] sur la télécommande.

Fonctions de commande radio HD



Accord

Sélectionner la station.

1 Sélectionner une source radio HD

Appuyez sur la touche [SRC].

Sélectionnez l'affichage "HD Radio".

2 Sélectionner la bande HF

Appuyez sur la touche [FM].

Chaque fois que l'on appuie sur la touche [FM] la gamme d'onde change parmi HF1, HF2 et HF3.

Sélectionner la bande HA

Appuyez sur la touche [AM].

3 Réglez une bande supérieure ou inférieure

Appuyez sur la touche [◀◀] ou [▶▶].



- Lorsque vous connectez une radio HD, les fonctions de tuner de l'appareil sont désactivées et commutées sur les fonctions de tuner de radio HD. Une partie des méthodes de réglage, y compris le mode de syntonisation, changera.
- Avec le tuner de radio HD, vous pouvez utiliser les fonctions similaires pour 'Mémoire de station pré-réglée' et 'Accord pré-réglé' des fonctions de tuner.

Référez-vous aux fonctions du tuner pour savoir comment utiliser ces fonctions.

- La radio HD ne peut être sélectionnée comme source à double zone.

Entrée en mémoire automatique

Mettre automatiquement en mémoire les stations dont la réception est bonne.

1 Sélectionnez la bande pour l'entrée en mémoire automatique

Appuyez sur la touche [FM] ou [AM].

2 Entrez en mode menu

Appuyez sur la touche [MENU] pendant au moins 1 seconde.

"MENU" est affiché.

3 Sélectionnez le mode d'entrée en mémoire automatique

Appuyez sur la touche [FM] ou [AM].

Sélectionnez l'affichage "Auto-Memory".

4 Ouvrez le mode entrée en mémoire automatique

Appuyez sur la touche [◀◀] ou [▶▶] pendant au moins 2 secondes.

Lorsque 6 stations qui peuvent être captées sont mises en mémoire, le mode entrée en mémoire automatique est fermé.

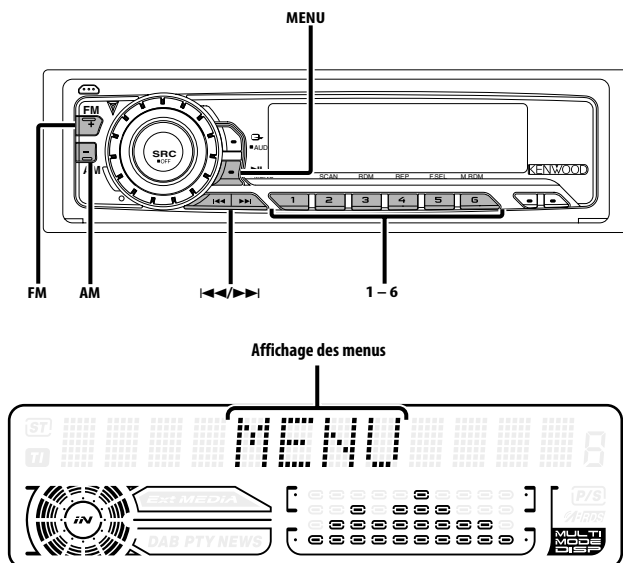
5 Sortez du mode menu

Appuyez sur la touche [MENU].



- La méthode de réception peut être commutée avec le réglage de 'Réglage du mode de réception' (page 66).

A propos du menu



A propos du menu

Activer en cours de fonctionnement des fonctions de signaux sonores etc.

La méthode de base d'utilisation du système du menu est expliquée ici. Les références pour les éléments du menu et leur réglage se trouve après l'explication de cette opération.

1 Entrez en mode menu

Appuyez sur la touche [MENU] pendant au moins 1 seconde.

"MENU" est affiché.

2 Sélectionnez l'élément du menu

Appuyez sur la touche [FM] ou [AM].

Exemple: Lorsque vous voulez activer le signal sonore, sélectionnez l'affichage "Beep".

3 Réglez l'élément du menu

Appuyez sur la touche [◀◀] ou [▶▶].

Exemple: Lorsque "Beep" est sélectionné, chaque fois que l'on appuie sur la touche, on commute sur "Beep ON" ou "Beep OFF". Sélectionnez l'un d'eux comme réglage.

Vous pouvez continuer en retournant à l'étape 2 et en réglant d'autres éléments.

4 Sortez du mode menu

Appuyez sur la touche [MENU].



- Lorsque d'autres éléments pour lesquels la méthode de fonctionnement normale ci-dessus est applicable sont affichés, on entre ensuite dans le graphique de réglage. (Normalement les réglages au sommet du graphique sont les réglages d'origine.) De plus, l'explication des éléments pour lesquels la méthode n'est pas applicable ('Ajustement manuel de l'horloge' etc.) sont exposés étape par étape.

A propos du menu

Mode veille (Mode éclairage seulement)

Code de sécurité

Puisqu'il faut l'autorisation du code de sécurité lorsqu'il est retiré du véhicule, la personnalisation de cet appareil à l'aide du Code de Sécurité aide à éviter les vols.



- Lorsque la fonction code de sécurité est activée, le code ne peut pas être changé et la fonction ne peut pas être désactivée.

Remarque, le code de sécurité peut être composé de 4 chiffres de votre choix.

1 Entrez en mode veille

Appuyez sur la touche [SRC].

Sélectionnez l'affichage "STANDBY".

2 Entrez en mode menu

Appuyez sur la touche [MENU] pendant au moins 1 seconde.

Lorsque "MENU" est affiché, "Security" est affiché.

3 Entrez en mode code de sécurité

Appuyez sur la touche [◀◀] ou [▶▶] pendant au moins 1 seconde.

Lorsque "ENTER" est affiché, "CODE" est affiché.

4 Sélectionnez les chiffres à saisir

Appuyez sur la touche [◀◀] ou [▶▶].

5 Sélectionnez les numéros du code de sécurité

Appuyez sur la touche [FM] ou [AM].

6 Répétez les étapes 4 et 5, et complétez le code de sécurité.

7 Confirmez le code de sécurité

Appuyez sur la touche [▶▶] pendant au moins 3 secondes.

Lorsque "RE-ENTER" est affiché, "CODE" est affiché.

8 Effectuez les opérations des étapes 4 à 7 et saisissez de nouveau le code de sécurité.

"APPROVED" est affiché.

La fonction code de sécurité est activée.



- Lorsqu'un code erroné est saisi aux étapes 4 à 6, répétez la procédure depuis l'étape 4.

Appuyez sur la touche de réinitialisation et quand il est retiré de la source d'alimentation de la batterie

1 Allumez l'alimentation.

2 Effectuez les opérations des étapes 4 à 7 et saisissez le code de sécurité.

"APPROVED" est affiché.

L'appareil peut être utilisé.

Tonalité capteur tactile

Activer/Désactiver le signal sonore de contrôle d'opération (bip).

Affichage	Réglage
"Beep ON"	Le bip est entendu.
"Beep OFF"	Le bip est annulé.

Ajustement manuel de l'horloge

1 Sélectionnez le mode d'ajustement de l'horloge

Appuyez sur la touche [FM] ou [AM].

Sélectionnez l'affichage "Clock Adjust".

2 Entrez en mode d'ajustement de l'horloge

Appuyez sur la touche [◀◀] ou [▶▶]

pendant au moins 1 seconde.

L'affichage de l'horloge clignote.

3 Réglez les heures

Appuyez sur la touche [FM] ou [AM].

Réglez les minutes

Appuyez sur la touche [◀◀] ou [▶▶].

4 Sortez du mode d'ajustement de l'horloge

Appuyez sur la touche [MENU].

DSI (Disabled System Indicator)

Un indicateur rouge clignotera sur l'appareil après que la façade aura été enlevée, pour mettre en garde les éventuels voleurs.

Affichage	Réglage
"DSI ON"	La LED clignote.
"DSI OFF"	LED éteinte.

Eclairage sélectionnable

Sélectionner la couleur verte ou rouge pour l'éclairage de la touche.

Affichage	Réglage
"Color Red"	La couleur de l'éclairage est rouge.
"Color Green"	La couleur de l'éclairage est verte.

Changement du type d'affichage

Définir le type d'affichage.

Affichage	Réglage
"DisplayC"	Démonstration.
"DisplayA"	Type d'affichage normal.
"DisplayB"	Type d'affichage silencieux.

Fonction du KDC-MPV525/KDC-MPV5025

Réglage de la couleur d'éclairage

Il est possible de choisir la couleur de l'affichage.

1 Sélectionnez le mode de réglage de la couleur d'éclairage

Appuyez sur la touche [FM] ou [AM].

Sélectionnez l'affichage "COL".

2 La couleur continue à changer de manière graduelle

Continuez à appuyer sur la touche [◀◀] ou [▶▶].

Relâchez la pression une fois arrivé à la couleur que vous voulez.



- Les couleurs ajustées en utilisant soit [◀◀] soit [▶▶] seront stockées automatiquement, et peuvent être restaurées en appuyant sur le bouton [5].

Rappel rapide de la couleur pré-réglée

Appuyez sur la touche souhaitée [1] — [4].

Touche	Couleur
[1]	Blanc soie
[2]	Rouge
[3]	Bleu
[4]	Bleu Vert

Sélectionner le mode couleur

Appuyez sur la touche [6].

Chaque fois que l'on appuie sur la touche, le mode couleur change de la manière suivante.

Affichage	Mode couleur
"Scan"	La couleur change de manière successive.
"SRC"	La couleur change en fonction de la source sélectionnée.
"Time"	La couleur change toutes les six heures.
	Garde la couleur actuellement sélectionnée.

Réglage fin bleu

1 Appuyez sur la touche [3] pendant au moins 2 secondes.

2 Appuyez sur la touche [◀◀] ou [▶▶].

Lorsque le réglage fin bleu est terminé, Appuyez sur la touche [3].

Réglage du contraste

Régler le contraste de l'affichage.

Affichage et réglage
"Contrast 0"
:
"Contrast 10"

A propos du menu

Variateur d'intensité

Diminuer l'intensité de l'affichage de l'appareil lorsque la lumière du véhicule est allumée.

Affichage	Réglage
"Dimmer ON"	L'intensité de l'affichage diminue.
"Dimmer OFF"	L'intensité de l'affichage ne diminue pas.

Fonction du KDC-X579

Réglage System Q

Réglage pour que l'affichage indique ou non les valeurs du facteur Q (fréquences centrales graves, facteur de qualité des graves, extension des graves, fréquences centrales moyennes, facteur de qualité des fréquences moyennes et fréquences aiguës centrales) en mode de commande du son.

Affichage	Réglage
"System Q ON"	Les valeurs du System Q sont affichées.
"System Q OFF"	Les valeurs du System Q ne sont pas affichées.

Fonction du KDC-MPV525/KDC-MPV5025/KDC-MP425

Mode veille (Mode éclairage seulement)

Commutation de la sortie pré-amplifiée

Commutation de la sortie pré-amplifiée entre l'enceinte arrière et le subwoofer. (En mode subwoofer il émet sans effet depuis la commande du fader.)

Affichage	Réglage
"SWPRE Rear"	Sortie pré-amplifiée arrière.
"SWPRE Sub-W"	Sortie pré-amplifiée du subwoofer.

Fonction du KDC-X579

Mode veille (Mode éclairage seulement)

Réglage de mise en sourdine de l'amplificateur intégré

Active ou désactive la commande de mise en sourdine de l'amplificateur intégré. L'activation de cette commande accentue la qualité de la sortie préampli.

Affichage	Réglage
"AMP Mute OFF"	L'amplificateur intégré est activé.
"AMP Mute ON"	L'amplificateur intégré est désactivé.

En source tuner SIRIUS

Affichage de l'identification SIRIUS (ESN)

Affichage de l'identification SIRIUS (Numéro de série électronique).

Affichage
"ESN = *****"



- Identification N° de série et SIRIUS (ESN)
Il est important de conserver le numéro de série et d'identification électronique SIRIUS de l'unité pour l'activation de service et les modifications de service futures éventuelles.

Fonction du KDC-X579/KDC-MPV5025

Dans le tuner SIRIUS, disque externe, source de l'entrée auxiliaire

Système double zone

Rend le son différent entre le canal avant et le canal arrière.

Affichage	Réglage
"Zone 2 OFF"	Les canaux avant et l'arrière sont le même son source.
"Zone 2 ON"	Les canaux avant et arrière sont le son source différent.



- Lorsque le système Double zone est activé, il n'y a que l'effet de son comprenant la commande du son pour la source interne.
- Lorsque vous activez le système Double zone alors que la pré-sortie du subwoofer est activée, le son de la pré-sortie du subwoofer n'est pas reproduit.
- Lorsque le VZ-7000P/N (Accessoire optionnel) est sélectionné en tant que source, le son du VZ-7000P/N n'est pas rendu si le système double zone est activé.

Fonction du KDC-X579/KDC-MPV5025
Lorsque le Système double zone est désactivé (OFF)

Réglage du Système double zone

Réglage du son des canaux avant et arrière dans le système Double zone.

Affichage	Réglage
"Zone 2 Rear"	L'avant est la source interne de cet appareil et l'arrière est le son de la source sélectionnée.
"Zone 2 Front"	L'arrière est la source interne de cet appareil et l'avant est le son de la source sélectionnée.

Fonction du KDC-X579

B.M.S. (Bass Management System)

Réglez le niveau d'accentuation des graves de l'amplificateur externe en utilisant l'unité principale.

Affichage	Réglage
"AMP Bass FLT"	Le niveau d'accentuation des graves est nul.
"AMP Bass +6"	Le niveau d'accentuation des graves est bas (+6dB).
"AMP Bass +12"	Le niveau d'accentuation des graves est moyen (+12dB).
"AMP Bass +18"	Le niveau d'accentuation des graves est élevé (+18dB).



- Référez-vous au catalogue ou au mode d'emploi pour connaître quels sont les amplificateurs de puissance qui peuvent être commandés à partir de cet appareil.
- Il existe deux types d'amplificateurs, les premiers peuvent être réglés de Flat jusqu'à +18 dB, et les autres modèles peuvent être réglés de Flat jusqu'à +12 dB. Si l'amplificateur qui est connecté peut uniquement être réglé sur +12, il ne marchera pas correctement même si "AMP Bass +18" est sélectionné.

Fonction du KDC-X579

Compensation de la fréquence par B.M.S.

Régler la fréquence centrale accentuée par le système B.M.S.

Affichage	Réglage
"AMP Freq NML"	Accentuer avec la fréquence centrale normale.
"AMP Freq Low"	Diminue la fréquence centrale normale de 20%.

En réception FM

CRSC (Clean Reception System) Circuit - Circuit de réception nette

Faites passer temporairement la réception du mode stéréo au mode mono afin de réduire les parasites lorsque vous écoutez une station FM.

Affichage	Réglage
"CRSC ON"	Le système CRSC est activé.
"CRSC OFF"	Le système CRSC est désactivé.



- Les champs électriques puissants (comme les lignes électriques) peuvent causer une instabilité de la qualité sonore lorsque le système CRSC est activé. Dans ce type de situation, désactivez-le.

Défilement du texte

Régler le défilement du texte affiché.

Affichage	Réglage
"Scroll Auto"	Répète le défilement.
"Scroll MANU"	Défile lorsque l'affichage change.



- Le texte qui défile est indiqué ci-dessous.
 - Texte CD
 - Nom du dossier/ Nom du fichier/ Titre de chanson/ Nom d'artiste/ Nom d'album
 - Titre du MD
 - Texte de la source tuner SIRIUS, Source radio HD, comprenant le nom du canal, etc.

Mode veille (Mode éclairage seulement)

Réglage de lecture CD

En cas de problème de lecture d'un CD de format spécial, ce réglage force la lecture du CD.

Affichage	Réglage
"CD READ 1"	Lecture de CD et MP3/WMA.
"CD READ 2"	Lecture de CD forcée.



- Le réglage "CD READ 2" ne peut lire les MP3/WMA. Certains CD de musique peuvent ne pas être lus même en mode "CD READ 2".

A propos du menu

Fonction du KDC-X579

Avec connexion d'appareil LX AMP

Commandes AMP

Vous pouvez contrôler la LX AMP connectée à l'appareil.

1 Sélectionnez le mode de commande AMP

Appuyez sur la touche [FM] ou [AM].

Sélectionnez l'affichage "AMP Control".

2 Entrez en mode de commande AMP

Appuyez sur la touche [◀◀] ou [▶▶] pendant au moins 1 seconde.

3 Sélectionnez l'élément de commande AMP pour le réglage

Appuyez sur la touche [FM] ou [AM].



- Pour connaître les détails de l'élément de commande AMP, consultez le manuel d'utilisation joint à la lampe LX AMP.

4 Réglez le mode de commande AMP

Appuyez sur la touche [◀◀] ou [▶▶].

5 Quitter le mode de commande AMP

Appuyez sur la touche [MENU].



- L'opération LX AMP ne peut pas être utilisée en mode d'attente.

En mode Radio HD

Réglage du mode de réception

Etablit le mode de réception.

1 Sélectionner le mode de réception

Appuyez sur la touche [FM] ou [AM].

Sélectionnez l'affichage "Receive Mode".

2 Ouvrir le mode de réception

Appuyez sur la touche [◀◀] ou [▶▶] pendant au moins 1 seconde.

3 Régler le mode de réception

Appuyez sur la touche [FM] ou [AM].

Chaque fois que la touche est enfoncée, le mode de réception commute comme indiqué ci-dessous.

Mode d'accord	Affichage	Fonction
Mode automatique	"Auto"	Les émissions analogiques et les émissions numériques seront commutées automatiquement. Lorsque les deux sont en cours de transmission, les émissions numériques auront la priorité.
Numérique	"Digital"	Émissions numériques uniquement.
Analogique	"Analog"	Émissions analogiques uniquement.

4 Quitter le mode de réception

Appuyez sur la touche [MENU].



- Même en réglage "Auto", une émission analogique sera reçue durant la réception d'un mode jeu de balle (programme d'émission non différée).

En mode Radio HD

Mode d'accord

Définit le mode d'accord.

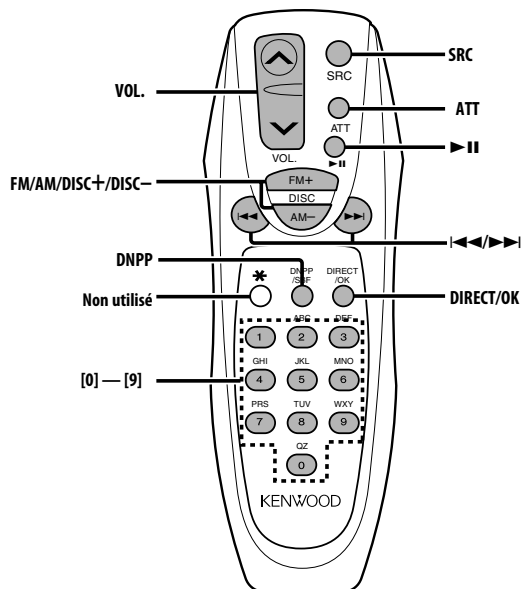
Mode d'accord	Affichage	Fonction
Recherche automatique	"Auto 1"	Recherche automatique d'une station.
Recherche de station pré-réglée	"Auto 2"	Recherche dans l'ordre in des stations présentes dans la mémoire de pré-réglage.
Manuel	"Manual"	Contrôle de l'accord manuel normal.

En mode Radio HD

Entrée en mémoire automatique

Pour connaître la méthode de fonctionnement, référez-vous à la section 'Entrée en mémoire automatique' (page 60).

Opérations de base de la télécommande

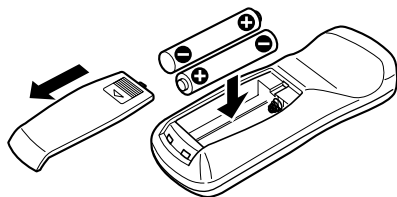


Recharger et remplacer la pile

Utiliser deux piles format "AA".

Faire coulisser le couvercle tout en l'appuyant vers le bas pour l'enlever comme indiqué sur l'illustration.

Introduire les piles en prenant soin de bien aligner les pôles + et -, en suivant l'illustration située à l'intérieur du boîtier.



▲ WARNING

- Rangez les piles non utilisées hors de portée des enfants. Contactez un docteur immédiatement si la pile était avalée.



- Ne posez pas la télécommande sur des endroits chauds tels que sur le tableau de bord.

Opérations de base

Touche [VOL.]

Régler le volume.

Touche [SRC]

Chaque fois que l'on appuie sur la touche, la source change.
Pour connaître l'ordre de changement de la source, référez-vous à la section 'Sélectionner la source' (page 48).

Touche [ATT]

Baisser le volume rapidement.

Lorsque l'on appuie de nouveau sur la touche, le volume revient à son niveau précédent.

Opérations de base de la télécommande

En source tuner

Touches [FM]/ [AM]

Sélectionnez la bande.

Chaque fois que l'on appuie sur la touche [FM] la gamme d'onde change parmi FM1, FM2 et FM3.

Touches [◀◀]/ [▶▶]

Réglez une bande supérieure ou inférieure.

Touches [0] — [9]

Appuyez sur les touches [1] — [6] pour rappeler des stations pré-réglées.

Touche [DIRECT]/ [OK]

Sélectionne et annule le mode 'Syntonisation à accès direct' (page 54).

En source disque

Touches [◀◀]/ [▶▶]

Déplacement avant/arrière vers Plage/Fichier.

Touches [DISC+]/ [DISC-]

Déplacement avant/arrière vers Disque/Dossier.

Touche [▶II]

Chaque fois que l'on appuie sur cette touche, la chanson se met en pause ou en lecture.

Touche [DNPP]

Sélectionne et annule le mode 'DNPP (Disc Name Preset Play)' (page 58).

Touches [0] — [9]

En 'Recherche directe de plage/fichier' (page 57) et 'Recherche directe de disque' (page 57), entrez le numéro de plage/fichier/disque.

En source radio HD

Touches [FM]

Sélectionner la bande HF.

Chaque fois que l'on appuie sur la touche [FM] la gamme d'onde change parmi HF1, HF2 et HF3.

Touches [AM]

Sélectionner la bande HA.

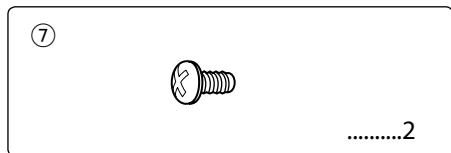
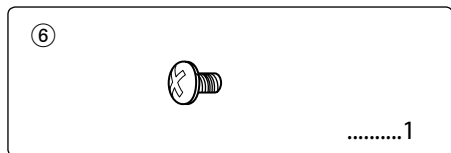
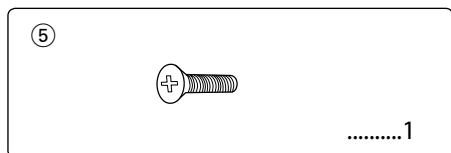
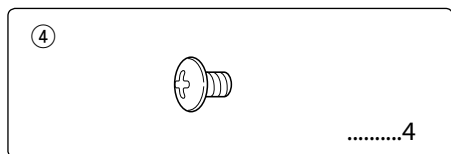
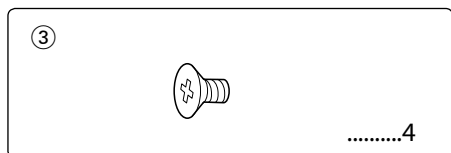
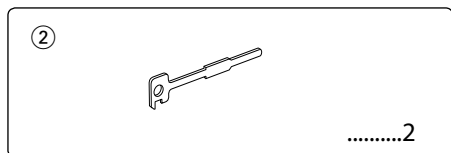
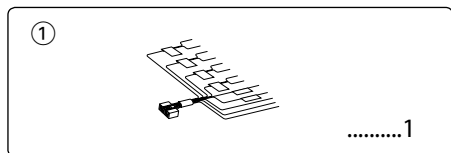
Touches [◀◀]/ [▶▶]

Réglez une bande supérieure ou inférieure.

Touches [0] — [9]

Appuyez sur les touches [1] — [6] pour rappeler des stations pré-réglées.

Accessoires



Procédure d'installation

1. Pour éviter les courts-circuits, retirez la clef de contact et déconnectez la borne \ominus de la batterie.
2. Effectuez les connexions d'entrée et sortie correctement pour chaque appareil.
3. Connectez les câbles de haut-parleur du faisceau de câbles.
4. Connectez les câbles du faisceau dans l'ordre suivant: masse, batterie, allumage.
5. Connectez le connecteur du faisceau à l'appareil.
6. Installez l'appareil dans votre voiture.
7. Reconnectez la borne \ominus de la batterie.
8. Appuyez ensuite sur la touche de réinitialisation.

⚠ AVERTISSEMENT

Si vous connectez le câble d'allumage (rouge) et le câble de batterie (jaune) au châssis de la voiture (masse), vous risquez de causer un court-circuit qui peut provoquer un incendie. Connectez toujours ces câbles à la source d'alimentation de la boîte à fusible.



- Si l'allumage de votre voiture n'a pas de position ACC, connectez le câble d'allumage à une source d'alimentation qui peut être mise sous et hors tension avec la clef de contact. Si vous connectez le câble d'allumage à une source d'alimentation constante, comme un câble de batterie, la batterie risque de se décharger.
- Si la console est équipée d'un couvercle, assurez-vous d'installer l'appareil de façon à ce que la façade ne frappe pas le couvercle lors de la fermeture ou de l'ouverture.
- Si un fusible grille, assurez-vous d'abord que les câbles n'ont pas causé de court-circuit puis remplacez le vieux fusible par un nouveau de même valeur.
- Isolez les câbles non-connectés avec un ruban vinyle ou autre matériel similaire. Pour éviter, les courts-circuits, ne retirez pas non plus les capuchons à l'extrémité des câbles non-connectés ou des prises.
- Connectez séparément chaque câble d'enceinte à la prise correspondante. L'appareil peut être endommagé si le câble négatif \ominus pour une des enceintes ou le câble de masse entre en contact avec une partie métallique du véhicule.
- Quand deux haut-parleurs seulement sont connectés au système, connectez les câbles soit aux prises de sortie avant, soit aux prises de sortie arrière (c.a.d. ne mélangez pas l'avant et l'arrière). Par exemple, si vous connectez le câble \oplus du haut parleur de gauche à une prise de sortie avant, ne connectez pas le câble \ominus du haut-parleur droit à la prise de sortie arrière.
- Après avoir installé l'appareil, vérifiez si les lampes de frein, les indicateurs, les clignotants, etc de la voiture fonctionnent correctement.
- Monter l'unité de façon à ce que l'angle de montage soit de 30° ou moins.

Connexion des câbles sur les prises

	KDC-X579	KDC-MPV525/MPV5025/MP425
A	Sortie arrière	
B	Sortie avant	Sortie avant
C	Sortie subwoofer	Sortie arrière/ Sortie subwoofer

Sortie gauche (Blanc), Sortie droite (Rouge)

Vers changeur de disque KENWOOD/
Tuner radio satellite Sirius/
Accessoire externe en option

Pour la connexion de ces fils,
veuillez consulter les manuels
d'utilisation appropriés.

Si aucune connexion n'est faite, ne laissez pas le câble
sortir à l'extérieur.

Connectez à la prise de commande d'alimentation lors
de l'utilisation d'un amplificateur de puissance optionnel,
ou à la prise de commande d'antenne du véhicule.

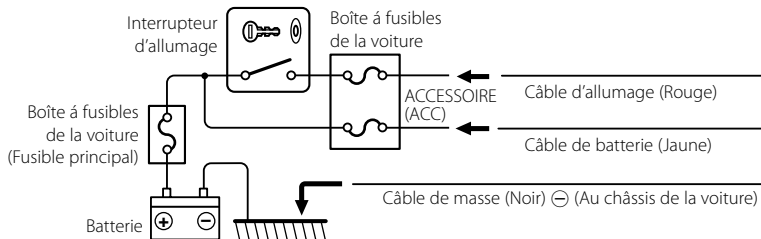
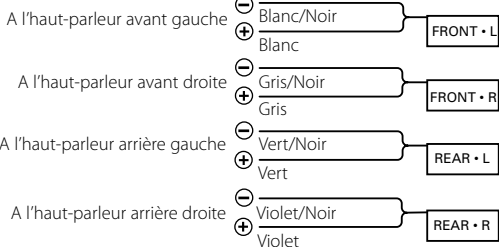
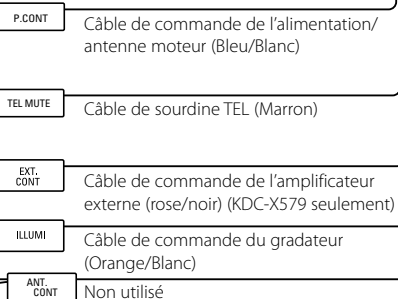
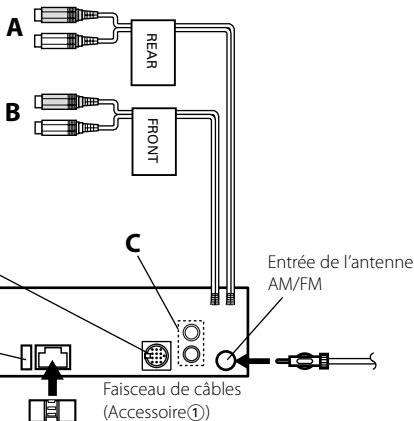
Connectez à une prise qui est à la masse même quand le
téléphone sonne ou pendant une conversation.

Pour connecter le système de navigation KENWOOD,
consulter le manuel du système de navigation.

Vers le terminal "EXT.AMP.CONT" de l'amplificateur ayant
la fonction de contrôle de l'amp. extérieure.

Au commutateur d'éclairage
de la voiture.

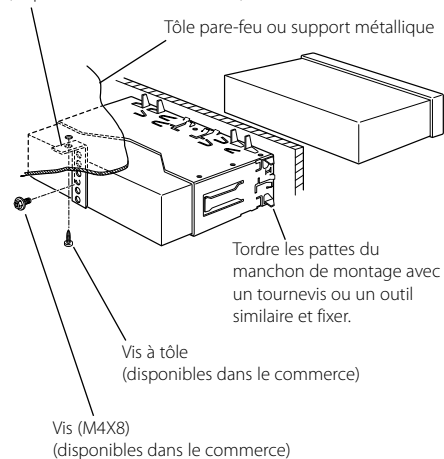
Ne pas laisser le fil sortir par la languette.



Installation

voiture non-japonaise

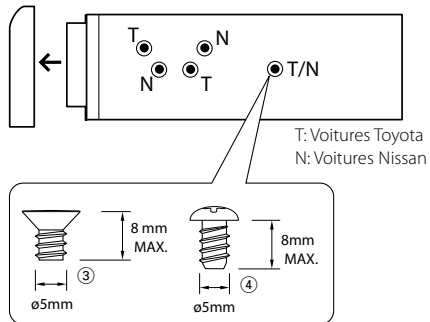
Armature de montage métallique
(disponibles dans le commerce)



- Assurez-vous que l'appareil est solidement installé. Si l'appareil est instable, il risque de mal fonctionner (ex. le son risque de sauter).

voiture japonaise

- Référez vous à la section 'Retrait du cadre en caoutchouc dur' (page 73) puis retirez le cadre en caoutchouc dur.
- Alignez les creux de l'appareil (deux de chaque côté) avec le support de montage du véhicule et fixez l'appareil avec les vis accessoires.



Accessoire③...pour les voitures Nissan
Accessoire④...pour les voitures Toyota



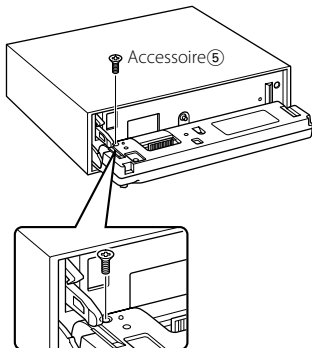
- Pendant l'installation, n'utilisez aucune autres vis que celles fournies. L'utilisation de vis différentes pourrait endommager l'appareil.
- L'appareil risque d'être endommagé si un tournevis ou un outil similaire est utilisé avec une force excessive pendant le montage.

Installation

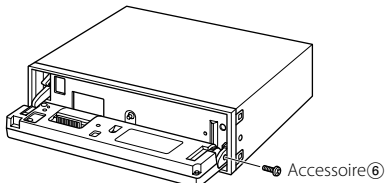
Visage de la façade sur l'appareil

Si vous voulez attacher la façade à l'unité principale de manière à ce qu'elle ne tombe pas.

- 1 Référez vous à la section 'Retrait du cadre en caoutchouc dur' (page 73) puis retirez le cadre en caoutchouc dur.
- 2 Abaissez la façade en appuyant sur le bouton de déverrouillage.
- 3 Serrer les vis ($\varnothing 2,6 \times 12$ mm) (Accessoire⑤) dans les trous comme sur le schéma.

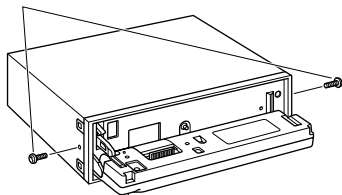


- 4 Serrer les vis ($\varnothing 2 \times 4$ mm) (Accessoire⑥) dans les trous comme sur le schéma.



- 5 Serrez les vis ($\varnothing 2 \times 6$ mm) (Accessoire⑦) dans les trous comme sur le schéma.

Accessoire⑦

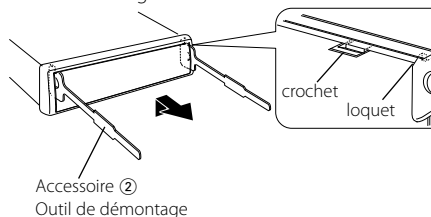


- Ne jamais insérer les vis dans d'autres trous que ceux spécifiés individuellement pour chacune. Si vous les insérez dans un autre trou, elles peuvent se contracter et causer des dommages aux parties mécaniques à l'intérieur de l'unité.

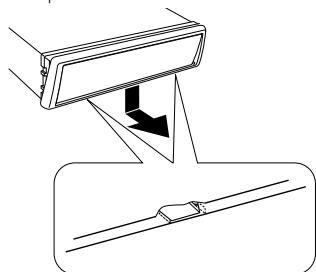
Retrait de l'appareil

Retrait du cadre en caoutchouc dur

- 1 Engagez les broches de saisie sur l'outil de retrait et retirez les deux verrous du niveau supérieur. Soulevez le cadre et tirez-le vers l'avant comme montré sur la figure.



- 2 Lorsque le niveau supérieur est retiré, retirez les deux emplacements inférieurs.

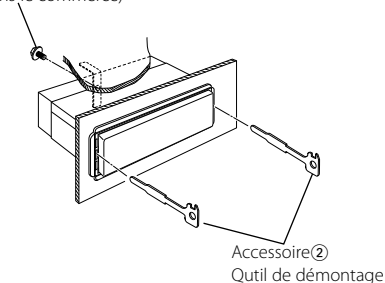


- Le châssis peut être également retiré à partir du côté arrière de la même façon.

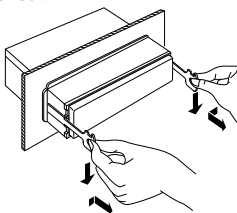
Retrait de l'appareil

- 1 Référez vous à la section 'Retrait du cadre en caoutchouc dur' (page 73) puis retirez le cadre en caoutchouc dur.
- 2 Retirez la Vis à tête hexagonale avec rondelle intégrale (M4 x 8 mm) sur le panneau arrière.
- 3 Insérez les deux outils de démontage profondément dans les fentes de chaque côté, comme montré.

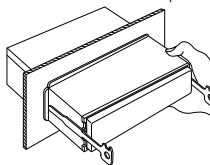
Vis (M4X8) (disponibles dans le commerce)



- 4 Baissez les outils de démontage vers le bas et tirez l'appareil à moitié en faisant pression vers l'intérieur.



- Faites attention de ne pas vous blesser avec le loquet de l'outil de démontage.
- 5 Sortez l'appareil entièrement avec les mains, en faisant attention de ne pas le faire tomber.



Ce qui peut apparaître comme un mauvais fonctionnement de votre appareil n'est peut être que le résultat d'une mauvaise opération ou d'une mauvaise connexion. Avant d'appeler un centre de service, vérifiez d'abord dans le tableau suivant les problèmes possibles.

Général

? L'appareil ne se met pas sous tension.

- ✓ Le fusible a grillé.
 - ☞ Après avoir vérifié qu'il n'y a pas de courts-circuits dans les câbles, remplacez le fusible par un de la même valeur.

? Impossible de commuter sur une source.

- ✓ Aucun support n'est inséré.
 - ☞ Effectuez les réglages pour le média que vous souhaitez écouter. S'il n'y a aucun média dans cet appareil, il est impossible de commuter les sources.
- ✓ Le changeur de disque n'est pas connecté.
 - ☞ Connectez le changeur de disque. Si le changeur de disque n'est pas connecté à sa borne d'entrée, il est impossible de commuter l'appareil sur une source de disque externe.

? La mémoire est effacée quand le contact est mis.

- ✓ Les câbles de batterie et d'allumage ne sont pas connectés correctement.
 - ☞ Connectez le câble correctement en vous référant à la section 'Connexion des câbles sur les prises'.

? L'effet de loudness ne fonctionne pas.

- ✓ Vous utilisez une pré-sortie subwoofer.
 - ☞ Le niveau sonore n'a aucun effet sur la pré-sortie subwoofer.

? Même si la force est activée, les sons de haute fréquence ne seront pas compensés.

- ✓ La source de tuner est sélectionnée.
 - ☞ Les sons de haute fréquence ne seront pas compensés lorsque la source est le tuner.

? La fonction de sourdine TEL ne fonctionne pas.

- ✓ Le câble de sourdine TEL n'est pas connecté correctement.
 - ☞ Connectez le câble correctement en vous référant à la section 'Connexion des câbles sur les prises'.

? La fonction de sourdine TEL se met en service même si le câble de sourdine TEL n'est pas connecté.

- ✓ Le câble de sourdine TEL touche une partie métallique de la voiture.
 - ☞ Eloignez le câble de sourdine TEL des parties métalliques de la voiture.

? Aucun son ne peut être entendu, ou le volume est faible.

- ✓ Les réglages du fader ou de l'équilibre sont réglés complètement d'un côté.
 - ☞ Centrer les réglages du fader et de la balance.
- ✓ Les câbles d'entrée/sortie ou le faisceau de câbles sont connectés incorrectement.
 - ☞ Reconnectez les câbles d'entrée/sortie et/ou le faisceau de câbles correctement. Voir la section sur la 'Connexion des câbles sur les prises'.
- ✓ Les valeurs de décalage de volume sont faibles.
 - ☞ Augmentez le décalage du volume en vous référant à la section 'Commande du son' (page 49).

? Le son est de mauvaise qualité ou déformé.

- ✓ Un câble de haut-parleur a peut être été pincé par une vis dans la voiture.
 - ☞ Vérifiez la connexion des haut-parleurs.
- ✓ Les enceintes ne sont pas connectées correctement.
 - ☞ Reconnectez les câbles de haut-parleurs de manière que chaque prise de sortie soit connectée à un haut-parleur différent.

? La tonalité de touche ne s'entend pas.

- ✓ La sortie de préampli sans fading est en cours d'utilisation.
 - ☞ La tonalité de touche ne peut être émise par le jack de préampli.

? La fonction d'atténuation ne fonctionne pas.

- ✓ Le fil d'atténuation n'est pas connecté correctement.
 - ☞ Vérifiez la connexion du fil d'atténuation.

? La couleur d'affichage change soudainement.

- ✓ Ceci est dû au fait que la température actuelle est différente de la température ambiante lorsque le réglage a été fait.
 - ☞ La couleur de l'affichage est directement dépendante des conditions de température ambiante.

Source tuner

? La réception radio est mauvaise.

- ✓ L'antenne de la voiture n'est pas sortie.
 - ☞ Sortez l'antenne complètement.
- ✓ Le câble de commande de l'antenne n'est pas connecté.
 - ☞ Connectez le câble correctement en vous référant à la section 'Connexion des câbles sur les prises'.

? La fréquence souhaitée ne peut être entrée avec la fonction de syntonisation directe Direct Access Tuning.

- ✓ Une station qui ne peut être reçue a été saisie.
 - ☞ Saisissez une station qui peut être reçue.
- ✓ Vous essayez de d'entrer une fréquence avec des unités de 0,01 MHz.
 - ☞ L'unité pour la bande FM est 0,1 MHz.

En source disque

? "AUX EXT" s'affiche sans réaliser le mode de commande de disque extérieur.

- ✓ Un changeur de disque non reconnu est connecté.
 - ☞ Utilisez le changeur de disque mentionné dans la rubrique de 'Au sujet des lecteurs de CD/changeurs de disque connectée à cet appareil' (page 43) la section 'Précautions de sécurité'.

? Le disque spécifié n'est pas reproduit mais un autre est reproduit à sa place.

- ✓ Le disque spécifié est très sale.
 - ☞ Nettoyez le CD.
- ✓ Le disque a été inséré dans une autre fente que celle spécifiée.
 - ☞ Ejectez le magasin et vérifiez le numéro du disque spécifié.
- ✓ Le disque est très rayé.
 - ☞ Essayez un autre disque.

? Le CD est éjecté aussitôt après être introduit.

- ✓ Le CD est très sale.
 - ☞ Nettoyez le CD en vous référant à la rubrique 'Nettoyage de CD de la section 'Au sujet des CD' (page 45).

? Impossible de retirer le disque.

- ✓ La cause en est que plus de 10 minutes se sont écoulées depuis que le commutateur ACCESSOIRE (ACC) du véhicule a été coupé.
 - ☞ Le disque ne peut être retiré que dans les 10 minutes suivant la mise hors tension du commutateur ACCESSOIRE (ACC). Si plus de 10 minutes se sont écoulées, remettez le commutateur ACCESSOIRE (ACC) sous tension et appuyez sur la touche d'éjection.

? Le disque ne s'insère pas.

- ✓ Un disque est déjà chargé.
 - ☞ Pressez la touche [▲] et retirez le disque.

? La recherche directe ne peut être effectuée.

- ✓ Une autre fonction est activée.
 - ☞ Désactivez la lecture aléatoire ou les autres fonction.

? La recherche par piste ne peut pas être effectuée.

- ✓ Pour les premiers disques ou dossiers ou la dernière chanson.
 - ☞ Pour chaque disque ou dossier, la recherche de plage ne peut être effectuée en marche arrière pour la première chanson ou en marche avant pour la dernière chanson.

En source MP3/WMA

? Impossible de lire un fichier MP3/WMA.

- ✓ Le support est rayé ou sale.
 - ☞ Nettoyez le support media en vous référant à la rubrique 'Nettoyage de CD de la section 'Au sujet des CD' (page 45).

? Le son saute lors de la lecture de pistes MP3/WMA.

- ✓ Le support est rayé ou sale.
 - ☞ Nettoyez le support media en vous référant à la rubrique 'Nettoyage de CD de la section 'Au sujet des CD' (page 45).
- ✓ L'enregistrement est de mauvaise qualité.
 - ☞ Enregistrez de nouveau le support ou utilisez un nouveau support.

? Le temps de piste MP3/WMA n'est pas affiché correctement.

- ✓ ---
 - ☞ Il existe certains temps n'étant pas affichés correctement en accord avec les conditions d'enregistrement MP3/WMA.

Source HD Radio

? Aucun son ne peut être entendu, ou le volume est faible.

- ✓ La station d'émission pré-réglée ne transmet pas dans le mode sélectionné au moyen du 'Réglage du mode de réception' (page 66).
 - ☞ Régler le 'Réglage du mode de réception' sur "Auto".
- ✓ En mode d'émission AM numérique, le mode de réception change trop fréquemment entre stéréo et monaural.
 - ☞ Les conditions de réception sont mauvaises ou instables. Le mode stéréo est choisi lorsque les conditions de réception sont bonnes. Le mode bascule ensuite sur monaural lorsque les conditions de réception se dégradent.
- ✓ Le tuner de radio HD est connecté au KCA-S210A ou à d'autres appareils.
 - ☞ Connecter le tuner de radio HD directement sur l'unité de commandes.

Dans les situations suivantes, contacter le centre SAV le plus proche :

Bien que le changeur de disques soit connecté, la source n'est pas activée et "AUX EXT" s'affiche en mode changeur.

Les messages ci-dessous indiquent l'état de votre système.

EJECT:	Aucun magasin à disque n'a été inséré dans le changeur. Le magasin à disque n'est pas complètement inséré. ⇨ Insérez le magasin à disques correctement. Absence de CD dans l'unité. ⇨ Insérer le CD.	Hold Error:	Le circuit de protection de l'appareil se met en service quand la température à l'intérieur du changeur de disques automatique dépasse 60°C (140°F), arrêtant toutes les opérations. ⇨ Refroidir l'appareil en ouvrant les fenêtres ou en mettant en service l'air conditionné. Quand la température descend au dessous de 60°C (140°F), la lecture du disque reprend de nouveau.
No Disc:	Aucun disque n'a été inséré dans le magasin à disque. ⇨ Insérez un disque dans le magasin à disques.	NO NAME:	• Il y a eu tentative d'afficher DNPS en cours de lecture de CD, mais il n'y avait pas de nom de disque préréglé. • L'appareil a tenté d'afficher une étiquette ID3 alors qu'un MP3/WMA sans étiquette ID3 est en cours de relecture.
TOC Error:	Aucun disque n'a été inséré dans le magasin à disque. ⇨ Insérez un disque dans le magasin à disques. Le CD est très sale. Le CD est à l'envers. Le CD est très rayé. ⇨ Nettoyez le CD et insérez-le correctement.	Load:	Les disques sont été échangés dans le changeur de disque.
E-05:	Le CD est à l'envers. ⇨ Chargez le CD correctement.	Reading:	L'appareil lit les données sur le disque.
Blank Disc:	Rien n'a été enregistré sur le MD.	NO ACCESS:	Après avoir été placés dans le changeur de disque, le DNPP a été effectué sans avoir été joué au moins une fois.
No Track:	Aucune plage n'est enregistrée sur le MD bien qu'il y ait un titre.	IN (clignote):	Le lecteur CD ne marche pas correctement. ⇨ Réinsérez le CD. si le CD ne peut pas être ejecté ou si l'affichage continue à clignoter même si le CD a à à correctement remis en place, veuillez couper le courant et consulter votre centre de service après-vente le plus proche.
E-15:	Le support utilisé ne dispose pas de données enregistrées que l'appareil peut lire. ⇨ Utilisez un support comportant des données enregistrées que l'appareil peut lire.	Unsupported:	Le format du fichier MP3/WMA qui a été lu n'est pas accepté par l'appareil. ⇨ ----
No Panel:	La façade de l'unité esclave connectée à cet appareil a été enlevée. ⇨ La remplacer.	Protected:	Un fichier interdit de copie a été lu. ⇨ ----
E-77:	L'appareil fonctionne mal pour certaines raisons. ⇨ Appuyez sur la touche de réinitialisation sur l'appareil. Si le code "E-77" ne disparaît pas, consultez la station technique la plus proche.		
Mecha Error:	Il y a une anomalie dans le magasin de disque. Ou l'unité fonctionne mal pour une raison quelconque. ⇨ Vérifier le magasin de disque. Et appuyer ensuite sur la touche de initialisation de l'unité. Si le code "Mecha Error" ne disparaît pas, consultez la station technique la plus proche.		

Spécifications

Les spécifications sont sujettes à changements sans notification.

Section tuner FM

- Plage de fréquence (espacement de 200 kHz)
 - : 87,9 MHz – 107,9 MHz
- Sensibilité utilisable (S/N = 30dB)
 - : 9,3dBf (0,8 μ V/75 Ω)
- Sensibilité silencieuse (S/N = 50dB)
 - : 15,2dBf (1,6 μ V/75 Ω)
- Réponse en fréquence (\pm 3,0 dB)
 - : 30 Hz – 15 kHz
- Taux de Signal/Bruit (MONO)
 - : 70 dB
- Sélectivité (\pm 400 kHz)
 - : \geq 80 dB
- Séparation stéréo (1 kHz)
 - : 40 dB

Section tuner AM

- Plage de fréquence (espacement de 10 kHz)
 - : 530 kHz – 1700 kHz
- Sensibilité utilisable (S/N = 20dB)
 - : 28 dB μ (25 μ V)

Section Disque Compact

- Diodes laser
 - : GaAlAs
- Filtre numérique (A/N)
 - : 8 fois suréchantillonnage
- Convertisseur A/N
 - : 1 Bit
- Vitesse de l'axe
 - : 1000 – 400 rpm (CLV 2 fois)
- Pleurage et scintillement
 - : Non mesurables
- Réponse en fréquence (\pm 1 dB)
 - : 10 Hz – 20 kHz
- Distorsion harmonique totale (1 kHz)
 - KDC-X579: 0,008 %
 - KDC-MPV525/MPV5025/MP425: 0,01 %
- Taux de Signal/Bruit (1 kHz)
 - KDC-X579: 110 dB
 - KDC-MPV525/MPV5025/MP425: 105 dB
- Gamme dynamique
 - : 93 dB
- Séparation de canaux
 - : 96 dB
- Décodage MP3
 - : Compatible avec le format MP3 1/2
- Décode WMA
 - : Compatible Windows Media Audio

Section audio

- Puissance de sortie maximum
 - : 50 W x 4
- Pleine Puissance de Largeur de Bande (avec une DHT inférieure à 1%)
 - : 22 W x 4
- Action en tonalité
 - Graves : 100 Hz \pm 10 dB
 - Centrale : 1 kHz \pm 10 dB
 - Aiguës : 10 kHz \pm 10 dB
- Niveau de préamplification/charge (pendant le mode CD)
 - : 2000 mV/10 k Ω
- Impédance de sortie préamplificateur
 - : \leq 600 Ω

Général

- Tension de fonctionnement (11 – 16V admissible)
 - : 14,4 V
- Courant absorbé
 - : 10 A
- Taille d'installation (L x H x P)
 - : 182 x 53 x 155 mm
 - 7-3/16 x 2-1/16 x 6-1/10 pouce
- Masse
 - : 2,64 lbs (1,20 kg)

Precauciones de Seguridad 80

Notas 82

Acerca de los CDs 83

Notas sobre la reproducción de MP3/WMA 84

Características generales 86

- Alimentación
- Selección de la fuente
- Volumen
- System Q
- Control de audio
- Ajuste de altavoz
- Cambio de Visualización
- Asignación de Nombre de Emisora/Disco (SNPS/DNPS)
- Selección de pantalla de entrada auxiliar
- Salida del subwoofer
- Placa frontal antirrobo
- Silenciamiento de TEL

Características del sintonizador 91

- Modo de Sintonización
- Sintonización
- Sintonización de Acceso Directo
- Memoria de presintonización de emisoras
- Entrada de Memoria Automática
- Sintonización preajustada

Características de CD/MP3/WMA/control de disco Externo 93

- Reproducción de un Disco Externo
- Reproducción de CD y MP3/WMA
- Avance rápido y rebobinado
- Búsqueda de Pista/Archivo
- Búsqueda de Disco/Búsqueda de Carpeta
- Búsqueda de Pista/Archivo Directa
- Búsqueda de Disco Directa
- Repetición de Pista/Archivo/Disco/Carpeta
- Reproducción con Exploración
- Reproducción aleatoria
- Reproducción Aleatoria de Magazine
- Selección de carpetas
- Despliegue de Texto/Título
- DNPP (Disc Name Preset Play)

Funciones de control de radio HD 97

- Sintonización
- Entrada de Memoria Automática

Acerca del Menú 99

- Sistema de Menús
- Código de Seguridad
- Tono de Sensor de Contacto
- Ajuste manual del reloj
- DSI (Disabled System Indicator)
- Iluminación seleccionable
- Cambio del Tipo de Visualización
- Ajuste del color de iluminación
- Ajuste del Contraste
- Regulador de luz
- Ajuste del System Q
- Cambio de la salida de previo
- Ajuste de Silenciamiento de Amplificador Incorporado
- Visualización de Identificación (ID) SIRIUS (ESN)
- Sistema de Zona Dual
- Ajuste del Sistema de Zona Dual
- B.M.S. (Bass Management System)
- B.M.S. Compensación de frecuencias
- CRSC (Clean Reception System Circuit)
- Despliegue de Texto
- Ajuste de la lectura del CD
- Control AMP
- Ajuste del modo de recepción
- Modo de Sintonización
- Entrada de Memoria Automática

Operaciones básicas del control remoto 105

Accesorios/ Procedimiento de instalación 107

Conexión de cables a los terminals 108

Instalación 109

Desmontaje de la unidad 111

Guía Sobre Localización De Averías 112

Especificaciones 115

▲ADVERTENCIA

Para evitar el riesgo de lesiones y/o fuego, observe las siguientes precauciones:

- Inserte la unidad hasta el fondo, de manera que quede firmemente bloqueada en su sitio. De lo contrario, podría salir despedida con fuerza durante un choque u otras sacudidas.
- Cuando extienda los cables del encendido, de la batería o de masa, asegúrese de utilizar cables para automóviles u otros cables que tengan un área de 0,75mm² (AWG18) o más, para evitar el deterioro del cable y daños en su revestimiento.
- Para evitar cortocircuitos, nunca coloque ni deje objetos metálicos (por ejemplo, monedas o herramientas metálicas) dentro de la unidad.
- Si nota que la unidad emite humos u olores extraños, desconecte inmediatamente la alimentación y consulte con su distribuidor Kenwood.
- Asegúrese de que sus dedos no queden atrapados entre la placa frontal y la unidad.
- Preste atención para no dejar caer ni aplicar un golpe fuerte a la unidad. Los componentes de vidrio de la unidad podrían romperse o agrietarse.
- Si se daña o rompe la LCD debido a un golpe, no toque nunca el fluido de cristal líquido contenido en su interior. El fluido de cristal líquido podría ser perjudicial e incluso fatal para su salud. Si el fluido de cristal líquido entrara en contacto con su cuerpo o vestimenta, lave inmediatamente con agua y jabón.

▲PRECAUCIÓN

Para evitar daños en la unidad, tome las siguientes precauciones:

- Asegúrese de utilizar para la unidad una fuente de alimentación de 12V CC con masa negativa.
- No abra las cubiertas superior o inferior de la unidad.
- No instale la unidad en un sitio expuesto a la luz directa del sol, o excesivamente húmedo o caluroso. Asimismo evite los lugares muy polvorientos o sujetos a salpicaduras de agua.
- No deje la placa frontal desmontada o el estuche de la placa frontal en lugares expuestos a la luz directa del sol, o excesivamente húmedos o calurosos. Asimismo evite los lugares muy polvorientos o sujetos a salpicaduras de agua.
- Para evitar el deterioro, no toque con sus dedos los terminales de la unidad o de la placa frontal.
- Evite aplicar golpes fuertes a la placa frontal, dado que se trata de un componente de precisión.
- Cuando tenga que reemplazar un fusible, utilice únicamente uno del régimen prescrito. El uso de un fusible de régimen incorrecto podría ocasionar un funcionamiento defectuoso de la unidad.
- Para evitar cortocircuitos mientras sustituye el fusible, desconecte previamente el mazo de conductores.
- No coloque ningún objeto entre la placa frontal y la unidad.
- No ejerza fuerza excesiva sobre la placa frontal abierta ni coloque objetos sobre ella. De lo contrario, la placa podrá dañarse o romperse.
- Durante la instalación, no utilice otros tornillos que no sean los suministrados. El uso de tornillos diferentes podría causar daños en la unidad principal.

Acerca de los reproductores de CD/ cambiadores de discos conectados a esta unidad

Pueden conectarse a esta unidad los cambiadores de discos/reproductores de CD KENWOOD comercializados en 1998 o posterior. Remítase al catálogo o consulte al distribuidor Kenwood respecto de los modelos de cambiadores de discos/reproductores de CD que pueden conectarse.

Observe que cualquier cambiador de discos/reproductor de CD comercializado en 1997 o anterior y los cambiadores de discos de otros fabricantes no pueden conectarse a esta unidad. Una conexión de productos sin soporte puede ocasionar daños.

Ajuste del interruptor O-N a la posición "N" para cambiadores de disco/reproductores de CD KENWOOD que corresponda.

Las funciones que pueden utilizarse y la información que puede visualizarse diferirá según sean los modelos que se conecten.



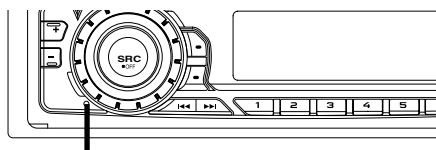
- Una conexión incorrecta podrá producir daños tanto en la unidad como en el cambiador de CD.

No cargue discos compactos de 8 cm (3 pulg.) en la ranura del CD

Si intenta cargar en la unidad un CD de 8 cm con su adaptador, éste podría separarse del CD y dañar la unidad.

NOTA

- Si tiene problemas durante la instalación, consulte con su distribuidor KENWOOD.
- Si la unidad no opera correctamente, pulse el botón RESET. La unidad se reposiciona a los ajustes de fábrica al pulsar el botón RESET. Si la unidad no funciona correctamente aun después de haber pulsado el botón RESET, acuda a su concesionario KENWOOD.
- Pulse el botón de reposición cuando el cambiador automático de CD no funciona correctamente al accionar sus mandos por primera vez. Se restablecerán las condiciones de operación originales.



Botón de reposición

- Los caracteres en la pantalla LCD pueden ser difíciles de leer en temperaturas inferiores a los 5 °C (41 °F).
- Las ilustraciones de la Pantalla y el panel que aparecen en este manual son ejemplos utilizados para explicar mejor cómo se utilizan los mandos. Por lo tanto, las ilustraciones de la pantalla que aparecen pueden ser distintas a las que aparecen realmente en la pantalla del equipo, y algunas de las ilustraciones de la pantalla puede que representen algo imposible durante el funcionamiento actual.

Empañamiento de la lente

Inmediatamente después de encender el calefactor del automóvil en épocas de frío, se podría formar condensación o vaho sobre la lente de la reproductora de CD. Este empañamiento de la lente podría hacer imposible la reproducción de los discos compactos. En tal caso, retire el disco y espere hasta que se evapore la condensación. Si la unidad no opera de la manera normal después de un tiempo, consulte con su distribuidor Kenwood.

Acerca de los CDs

Manipulación de CDs

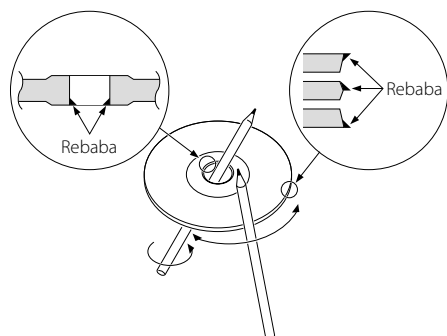
- No toque la superficie de grabación del CD.



- CD-R y CD-RW son más fáciles de dañar que un CD de música normal. Utilice un CD-R o un CD-RW después de leer los ítems de precaución en el paquete etc.
- No pegue cinta etc. sobre el CD. Tampoco, no utilice un CD con cinta pegada sobre el.

Cuando utilice un CD nuevo

Si el agujero central del CD o el margen exterior tiene rebaba, utilícelo después de haberla quitado con un bolígrafo.

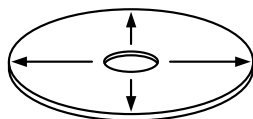


Accesorios de CD

No utilice accesorios de tipo disco.

Limpieza de CD

Limpie desde el centro del disco hacia el exterior.

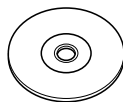


Extracción de CDs

Al extraer los CDs de esta unidad tire de ellos hacia afuera en forma horizontal.

CDs que no se pueden utilizar

- No se pueden utilizar CDs que no sean redondos.



- No se pueden utilizar CDs coloreados en la superficie de grabación o que estén sucios.
- Esta unidad sólo puede reproducir los CD con



Puede que no reproduzca correctamente los discos que no tienen la marca.

- No se puede reproducir un CD-R o CD-RW que no ha sido finalizado. (Para el proceso de finalización remítase a su software escrito CD-R/CD-RW, y a su manual de instrucciones de grabador de CD-R/CD-RW.

Almacenamiento de CD

- No los coloque expuestos a la luz solar directa (Sobre el asiento o el tablero de instrumentos etc.) ni donde la temperatura sea alta.
- Guarde los CDs en sus cajas.

Notas sobre la reproducción de MP3/WMA

Note, sin embargo, que los medios de grabación MP3/WMA y los formatos aceptables son limitados. Cuando se graben MP3/WMA, preste atención a las restricciones siguientes.

Medios aceptables

Los medios de grabación MP3/WMA aceptables para esta unidad son CD-ROM, CD-R, y CD-RW. Cuando utilice discos CD-RW, realice un formateo completo, no formateo rápido para evitar posibles fallos de funcionamiento.

Formatos de medio aceptables

Los formatos siguientes están disponibles para los medios utilizados en esta unidad. El número máximo de caracteres utilizados para nombre de archivo y de carpeta incluyendo el separador ("") y la extensión de tres caracteres se muestran entre paréntesis.

- ISO 9660 Nivel 1 (12 caracteres)
- ISO 9660 Nivel 2 (31 caracteres)
- Joliet (64 caracteres ;Se visualiza un máximo de 32 caracteres)
- Romeo (128 caracteres ;Se visualiza un máximo de 64 caracteres)
- Nombre de archivo largo (200 caracteres ;Se visualiza un máximo de 64 caracteres)
- Cantidad máxima de caracteres por nombre de carpeta: 64 (Joliet ;Se visualiza un máximo de 32 caracteres)

Para conseguir una lista de los caracteres disponibles, consulte el manual de instrucciones del software escrito y la sección Introducción de nombres de ficheros y de carpetas a continuación. Los medios reproducibles en esta unidad tienen las siguientes limitaciones:

- Cantidad máxima de niveles de directorios: 8
- Cantidad máxima de ficheros por carpeta: 255
- Cantidad máxima de carpetas: 50

Los MP3/WMA escritos en formatos diferentes a los mencionados anteriormente pueden no ser reproducidos en forma correcta y puede que sus nombres de ficheros o nombres de carpetas no se visualicen apropiadamente.

Ajustes para su codificador de MP3/WMA y quemador de CD

Realice el siguiente ajuste al comprimir datos de audio en datos MP3/WMA con el codificador MP3/WMA.

- Velocidad de bit de transferencia
MP3: 8 —320 kbps
WMA: 48 —192 kbps
- Frecuencia de muestreo
MP3: 8, 11.025, 12, 16, 22.05, 24, 32, 44.1, 48 kHz
WMA: 32, 44.1, 48 kHz

Cuando utilice su quemador de CD para grabar MP3/WMA hasta la capacidad máxima de disco, deshabilite la escritura adicional. Para grabar en un disco vacío hasta la capacidad máxima de una vez, marque Disco Completo.



- Es posible que la reproducción no sea la adecuada cuando se esté utilizando una parte de las funciones de Windows Media Player 9 o superior.

Introducción de etiqueta de identificación ID3

La etiqueta visible ID3 es ID3 versión 1.x. Para conocer el código de caracteres, consulte la lista de códigos.

	0	1	2	3	4	5	6	7	8	9	A	B	C	D	E	F
0																
1																
2																
3																
4																
5																
6																
7																
8																
9																
A																
B																
C																
D																
E																
F																

Introducción de nombres de ficheros y carpetas

Los caracteres de la lista de códigos son los únicos nombres de archivo y carpeta que pueden introducirse y visualizarse. Si introduce algún otro carácter, los nombres de ficheros y carpetas no se visualizarán correctamente. Puede que tampoco se visualicen correctamente según sea el quemador de CD utilizado.

La unidad reconoce y reproduce sólo aquellos MP3/WMA que tienen la extensión MP3/WMA (.MP3/.WMA).



- Un archivo cuyo nombre se escriba con caracteres que no aparezcan en la lista de códigos, podría no reproducirse correctamente.

Escritura de ficheros dentro de un medio

Cuando se carga un medio que contiene datos MP3/WMA, la unidad verifica todos los datos en el medio. Si el medio contiene muchas carpetas o no contiene ficheros MP3/WMA, por consiguiente, le tomará a la unidad un largo tiempo antes de empezar a reproducir MP3/WMA.

Además, puede que transcurra algo de tiempo para que la unidad se mueva al siguiente archivo MP3/WMA o puede que no se realice correctamente una Búsqueda de archivo o una Búsqueda de carpeta.



La carga de tales medios puede ocasionar fuertes ruidos que dañen los altavoces.

- No intente reproducir un medio que no contenga ficheros MP3/WMA con la extensión MP3/WMA. La unidad confunde los ficheros que no sean MP3/WMA para datos MP3/WMA mientras tengan la extensión MP3/WMA.
- No intente reproducir un medio que no contenga MP3/WMA.

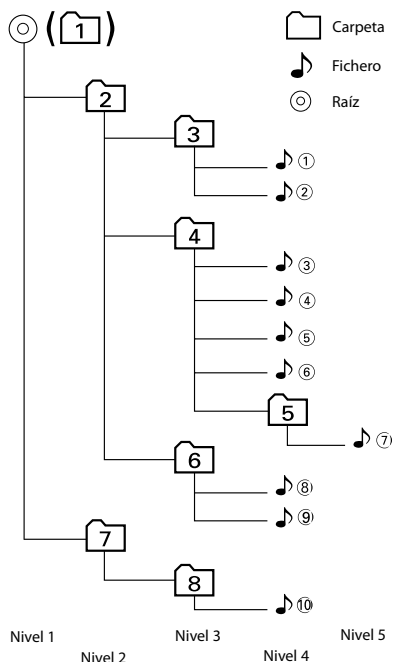
Orden de reproducción de MP3/WMA

Cuando se seleccionan para reproducción, Búsqueda de carpeta, Búsqueda de archivo o para Selección de carpeta, el acceso a los archivos y carpetas se realiza en el orden en que fueron escritos con el programa grabador de CD.

Debido a esto, el orden en el cual se espera que sean reproducidos puede que no coincida con el orden en el cual se están reproduciendo actualmente. Usted puede seleccionar el orden en el cual los MP3/WMA se van a reproducir escribiéndolos en un medio tal como CD-R con sus nombres de fichero comenzando con números de secuencia de reproducción tales como "01" a "99", dependiendo de su quemador de CD.

Por ejemplo, un medio con la siguiente jerarquía de carpeta/archivo está sujeto a Búsqueda de carpeta, Búsqueda de archivo o Selección de carpeta, tal como se indica a continuación.

Ejemplo de una jerarquía carpeta/fichero de medio



Cuando se ejecuta una Búsqueda de archivo con el archivo ④ reproduciéndose...

Funcionamiento del botón	(Archivo actual: ④)
Botón ◀◀	Comienzo de la Fichero ④ → ③
Botón ▶▶	⑤ → ⑥

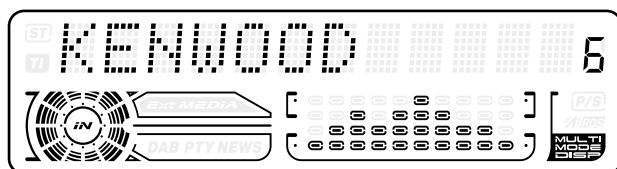
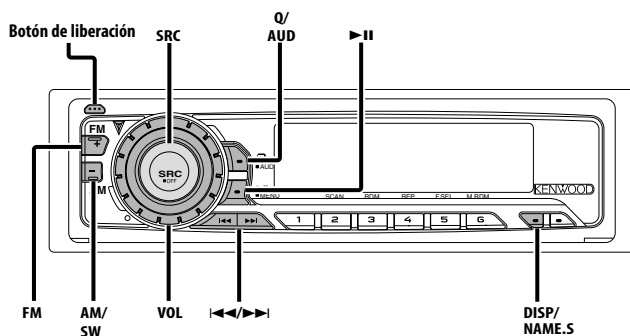
Cuando se ejecuta una Búsqueda de carpeta con el archivo ④ reproduciéndose...

Funcionamiento del botón	(Carpeta actual: ④)
Botón AM	③ → ② → ① → ⑧ ...
Botón FM	⑤ → ⑥ → ⑦ → ⑧ → ① ...

Cuando se realiza una Selección de carpeta con el archivo ④ reproduciéndose para moverse de carpeta a carpeta...

Funcionamiento del botón	(Carpeta actual: ④)
Botón ◀◀	③
Botón ▶▶	⑥
Botón AM	②
Botón FM	⑤

Características generales



Alimentación

Encendido de la alimentación

Pulse el botón [SRC].

Apagado de la alimentación

Pulse el botón [SRC] durante más de 1 segundo.

Selección de la fuente

Pulse el botón [SRC].

Fuente requerida	Visualización
Sintonizador SIRIUS (accesorio opcional)	"SIRIUS"
Sintonizador o HD Radio (accesorio opcional)	"TUNER" o "HD Radio"
CD	"CD"
Disco externo (accesorio opcional)	"CD CH"/"CD2"
Entrada auxiliar (accesorio opcional)	"AUX EXT"
En espera (sólo modo de iluminación)	"STANDBY"

Volumen

Para aumentar el nivel del volumen

Gire el mando [VOL] en el sentido de las agujas del reloj.

Para disminuir el nivel de volumen

Gire el mando [VOL] en sentido contrario a las agujas del reloj.

System Q

Es posible recuperar el mejor ajuste de sonido predefinido para los diferentes tipos de música.

1 Seleccione la fuente que desea ajustar

Pulse el botón [SRC].

2 Seleccione el tipo de Sonido

Pulse el botón [Q].

Cada vez que pulse el botón, el ajuste del sonido cambiará.

Ajuste del sonido	Visualización
Plano	"Flat"
Memoria de usuario	"User"
Rock	"Rock"
Pops	"Pops"
Ligera	"Easy"
Top 40	"Top40"
Jazz	"Jazz"



- Memoria de usuario: Los valores se ajustan en 'Control de audio' (página 87).
- Cada ajuste de valor se cambia con 'Ajuste de altavoz' (página 88). Primero deberá seleccionar el tipo de altavoz con el ajuste de Altavoz.

Control de audio

1 Seleccione la fuente para el ajuste

Pulse el botón [SRC].

2 Acceda al modo de Control de Audio

Pulse el botón [AUD] durante más de 1 segundo.

3 Seleccione el elemento de Audio para el ajuste

Pulse el botón [FM] o [AM].

Cada vez que se pulse el botón, los elementos que pueden ajustarse cambian como se indica a continuación.

4 Ajuste el elemento de Audio

Pulse el botón [◀◀] o [▶▶].

Ítem de ajuste	Visualización	Margen
Frecuencia central de graves*2	"Bass F"	60/70/80/100 o 150 Hz
Nivel de graves	"Bass"	-8 — +8

Factor Q de graves*2	"Bass Q"	1,00/1,25/1,50/2,00
Refuerzo de graves*2	"Bass EXT"	ACTIVADO/DESACTIVADO
Frecuencia central de medios*2	"MID F"	0,5/1,0/1,5/2,0 kHz
Nivel de medios	"Middle"	-8 — +8
Factor Q de medios*2	"Middle Q"	1,0/2,0
Frecuencia central de agudos*2	"TRE F"	10,0/12,5/15,0/17,5 kHz
Nivel de agudos	"Treble"	-8 — +8
Balance	"Balance"	Izquierda 15 — Derecha 15
Fader	"Fader"	Posterior 15 — Frontal 15
Nivel de subwoofer*1	"SW Level"	-15 — +15
Filtro de Paso Alto Fronta*2	"HPF F"	Pasante/100/125/170 Hz
Filtro de Paso Alto Posterior*2	"HPF Rear"	Pasante/200 Hz
Filtro de paso alto frontal/posterior	"HPF"	Pasante/100/125/170 Hz
Filtro de paso bajo del subwoofer*1	"LPF SW"	50/80/120/Pasante Hz
Compensación de volumen	"V-offset"	-8 — ±0
Sonoridad	"LOUD"	ACTIVADO/DESACTIVADO



- Según sea el valor de selección del factor Q de graves, las frecuencias que pueden ajustarse en frecuencia central de graves cambian como se indica a continuación.

Factor Q de graves	Frecuencia central de graves
1,00/1,25/1,50	60/70/80/100
2,00	60/70/80/150

- Cuando se ACTIVA el Refuerzo de Graves, la respuesta de los graves aumenta en un 20%.
- Compensación del volumen: El volumen de cada fuente puede ajustarse independientemente del volumen básico.
- Sonoridad: Compensación de los registros graves y agudos a bajo volumen.
- *1 Es posible controlar este ítem cuando 'Cambio de la salida de previo' (página 102) está ajustado a "SWPRE Sub-W".
- *2 Función del KDC-X579

5 Salga del modo de Control de Audio

Pulse el botón [AUD].

Características generales

Ajuste de altavoz

Realice el ajuste exacto para que el valor de System Q sea óptimo al ajustar el tipo de altavoz.

1 Acceda a En Espera

Pulse el botón [SRC].

Seleccione la visualización "STANDBY".

2 Acceda al modo de Ajuste de Altavoz

Pulse el botón [Q].

3 Seleccione el tipo de Altavoz

Pulse el botón [◀◀] o [▶▶].

Cada vez que se pulse el botón, el ajuste cambiará como se indica a continuación.

Tipo de altavoz	Visualización
DESACTIVAR	"SP OFF"
Para altavoz de 5 y 4 pulgadas	"SP 5/4inch"
Para altavoz de 6 y 6x9 pulgadas	"SP 6*9/6inch"
Para altavoz OEM	"SP O.E.M."

4 Salga del modo de Ajuste de Altavoz

Pulse el botón [Q].

Cambio de Visualización

Cambio de la información visualizada.

Pulse el botón [DISP].

Cada vez que se pulse el botón, la visualización cambiará como se indica a continuación.

En fuente Sintonizador

Información	Visualización
Nombre de Emisora o Frecuencia	"SNPS"
Frecuencia	"BAND+FREQ"
Reloj	

En fuente de CD y disco Externo

Información	Visualización
Título del disco	"D-TITLE"
Título de la pista	"T-TITLE"
Número de Pista y Tiempo de Reproducción	"P-Time"
Nombre del disco	"DNPS"
Reloj	

En fuente MP3/WMA

Información	Visualización
Título de canción y Nombre de artista	"TITLE"

Nombre de álbum y Nombre de artista	"ALBUM"
Nombre de carpeta	"FOLDER NAME"
Nombre de archivo	"FILE NAME"
Número de Pista y Tiempo de Reproducción	"P-Time"
Reloj	

En fuente de radio HD

Información	Visualización
Nombre de emisora	"Station Name"
Título de canción/ Nombre de artista/ Nombre de álbum/ Juego	"Title"
Frecuencia	"Frequency"
Reloj	

En fuente de entrada auxiliar

Información
Auxiliary input name
Reloj



- Si se selecciona el título de disco, título de pista, título de la canción y nombre del artista, o nombre del álbum y nombre del artista cuando se reproduce un disco que no tiene un título de disco, títulos de pista, títulos de canciones, nombres de álbumes o nombres de artistas, el número de pista y el tiempo de reproducción serán visualizados.

Asignación de Nombre de Emisora/ Disco (SNPS/DNPS)

Asignación de un título a una Emisora o CD.

1 Reciba/reproduzca la emisora/disco al que desee asignar el título



- No es posible asignar un título a un MD.
- Remítase a 'Cambio de Visualización' (página 88) y seleccione "DNPS" o "SNPS". No se puede dar ningún nombre a la fuente si "DNPS" o "SNPS" no se pueden seleccionar para este.

2 Acceda al modo de Ajuste de nombre Pulse el botón [NAME.S] durante más de 2 segundos.

Se visualiza "NAME SET".

3 Mueva el cursor a la posición de introducción de carácter Pulse el botón [◀◀] o [▶▶].

4 Seleccione el tipo de carácter

Pulse el botón **[▶II]**.

Cada vez que se pulse el botón, el tipo de carácter cambiará como se indica a continuación.

Visualización de tipo de carácter

Alfabeto mayúscula

Alfabeto minúscula

Números y símbolos

Caracteres especiales (caracteres de acento)

5 Seleccione los caracteres

Pulse el botón **[FM]** o **[AM]**.



- Los caracteres pueden introducirse en el mando a distancia con los botones numéricos.
Ejemplo: Si se introduce "DANCE".

Carácter	Botón	Veces que es pulsado
"D"	[3]	1
"A"	[2]	1
"N"	[6]	2
"C"	[2]	3
"E"	[3]	2

6 Repita los pasos 3 a 5 e introduzca el nombre.

7 Salga del modo de ajuste de nombre

Pulse el botón **[NAME.S]**.



- Cuando la operación se detiene durante 10 segundos, se registra el nombre de ese momento y el modo de Ajuste de Nombre se cierra.
- Números de memoria
 - FM: 32 emisoras
 - AM: 16 emisoras
 - Reproductor de CD interno: 30 discos
 - Cambiador/Reproductor de CD externo:Varía de acuerdo con el cambiador/reproductor de CD.Remítase al manual del cambiador/reproductor de CD.
- El título de la emisora/CD puede cambiarse mediante el mismo procedimiento utilizado para la asignación de nombre.

Selección de pantalla de entrada auxiliar

Selección de la visualización cuando este dispositivo se cambia a la fuente de entrada Auxiliar interna.

1 Seleccione la fuente de entrada Auxiliar

Pulse el botón **[SRC]**.

Seleccione la visualización "AUX EXT".

2 Acceda al modo de selección de pantalla de entrada auxiliar

Pulse el botón **[DISP]** durante más de 2 segundos.

El Nombre AUX seleccionado parpadea.

3 Seleccione la pantalla de entrada auxiliar

Pulse el botón **[◀◀]** o **[▶▶]**.

Cada vez que se pulse el botón, cambiará entre las visualizaciones siguientes.

- "AUX EXT"
- "TV"
- "VIDEO"
- "GAME"
- "PORTABLE"
- "DVD"

4 Salga del modo de selección de pantalla de entrada auxiliar

Pulse el botón **[DISP]**.



- Cuando la operación se detiene durante 10 segundos, se registra el nombre de ese momento y el modo de selección de pantalla de entrada auxiliar se cierra.
- La pantalla de entrada auxiliar solamente se puede ajustar cuando se utiliza la entrada auxiliar incorporada o la entrada auxiliar para el KCA-S210A.

Características generales

Salida del subwoofer

ACTIVACIÓN o DESACTIVACIÓN de la salida del subwoofer.

Pulse el botón [SW] durante más de 1 segundo.

Cada vez que se pulsa el botón, se activa o desactiva la salida del subwoofer.

Cuando está activada se visualiza "Sub-W ON".



- Es posible controlar esta función cuando 'Cambio de la salida de previo' (página 102) está ajustado a "SWPRE Sub-W". (KDC-MPV525/MPV5025/MP425 solamente)

Placa frontal antirrobo

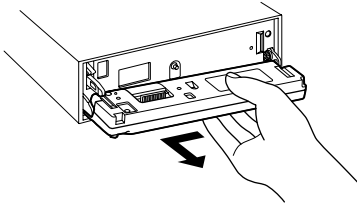
La placa frontal de la unidad puede extraerla y llevarla con usted para impedir robos.

Extracción de la placa frontal

1 Pulse el botón de liberación.

Abra la placa frontal hacia abajo.

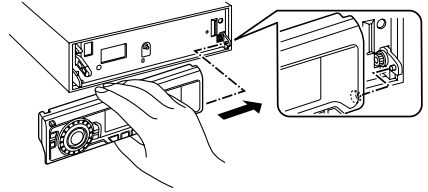
2 Incline la placa frontal a la izquierda y tire hacia adelante para extraerla.



- La placa frontal es una pieza de precisión y puede resultar dañada por golpes o sacudidas. Por tal motivo, guarde la placa frontal en su estuche especial cuando esté fuera del vehículo.
- No exponga la placa frontal o su estuche a la luz solar directa ni al calor o humedad excesivos. Además deberá evitar sitios con mucho polvo o la posibilidad de que se derrame agua sobre ella.

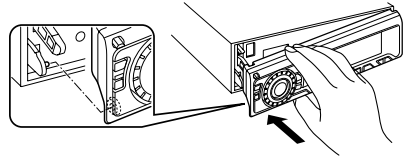
Colocación de la placa frontal después de haberla extraído

1 Alinee el eje de la unidad con la depresión de la placa frontal.



2 Deslice la placa frontal hasta que sienta que hace clic.

La placa frontal queda bloqueada en su sitio, permitiendo utilizar la unidad.



Silenciamiento de TEL

El sistema de audio se silencia automáticamente al entrar una llamada telefónica.

Cuando se recibe una llamada

Se visualiza "CALL".

El sistema de audio queda en pausa.

Audición del audio durante una llamada

Pulse el botón [SRC].

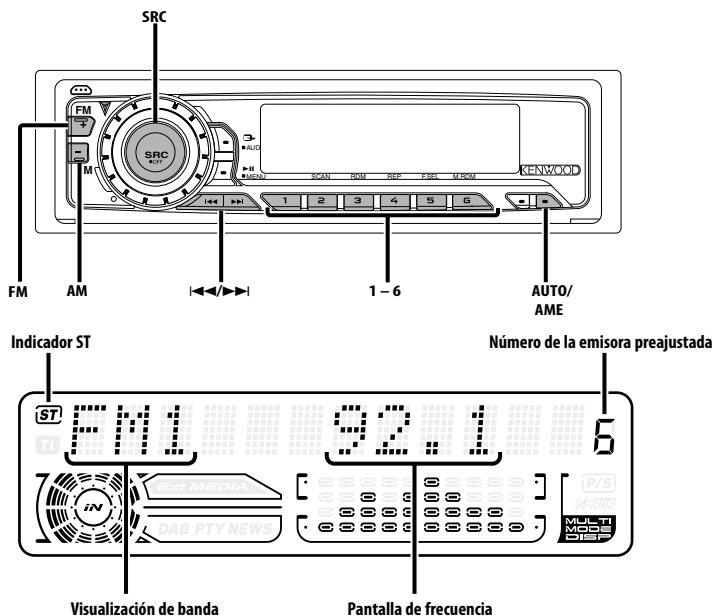
La visualización "CALL" desaparece y el sistema de audio vuelve a ACTIVARSE.

Cuando termina la llamada

Cuelgue el teléfono.

La visualización "CALL" desaparece y el sistema de audio vuelve a ACTIVARSE.

Características del sintonizador



Modo de Sintonización

Elija el modo de sintonización.

Pulse el botón [AUTO].

Cada vez que se pulse el botón, el modo de Sintonización cambiará como se indica a continuación.

Modo de Sintonización	Visualización	Funcionamiento
Búsqueda automática	"Auto 1"	Búsqueda automática de una emisora.
Búsqueda de emisora predefinida	"Auto 2"	Búsqueda de emisoras por orden en la memoria de preajuste.
Manual	"Manual"	Control de sintonización manual normal.

Sintonización

Selección de la emisora.

1 Seleccione la fuente de sintonizador

Pulse el botón [SRC].

Seleccione la visualización "TUNER".

2 Seleccione la banda

Pulse el botón [FM] o [AM].

Cada vez que pulse el botón [FM] o [AM] cambiará entre las bandas FM1, FM2, y FM3.

3 Sintonice la banda hacia arriba o hacia abajo

Pulse el botón [I-4] o [4-I].



- Durante la recepción de emisoras en estéreo, el indicador "ST" se activa.

Características del sintonizador

Función del mando a distancia

Sintonización de Acceso Directo

Introducción de la frecuencia y sintonización.

1 Seleccione la banda

Pulse el botón [FM] o [AM].

2 Acceda al modo de Sintonización de Acceso Directo

Pulse el botón [DIRECT] del mando a distancia.

Se visualiza "-- -- --".

3 Introduzca la frecuencia

Pulse los botones numérico en el mando a distancia.

Ejemplo:

Frecuencia deseada	Pulse el botón
92,1 MHz (FM)	[0], [9], [2], [1]
810 kHz (AM)	[0], [8], [1], [0]

Cancelación de la Sintonización de Acceso Directo

Pulse el botón [DIRECT] del mando a distancia.

Memoria de presintonización de emisoras

Almacenamiento de la emisora en la memoria.

1 Seleccione la banda

Pulse el botón [FM] o [AM].

2 Seleccione la frecuencia para guardarla en la memoria

Pulse el botón [◀◀] or [▶▶].

3 Guarde la frecuencia en la memoria

Pulse el botón [1] — [6] deseado durante al menos 2 segundos.

La visualización del número predefinido parpadea 1 vez.

En cada banda, se puede guardar 1 emisora en la memoria de cada botón [1] — [6].

Entrada de Memoria Automática

Almacenamiento automático de emisoras con buena recepción en la memoria.

1 Seleccione la banda de la Entrada de Memoria Automática

Pulse el botón [FM] o [AM].

2 Abra la Entrada de Memoria Automática

Pulse el botón [AME] durante más de 2 segundos.

Cuando se guardan en memoria 6 emisoras que pueden recibirse, la Entrada de Memoria Automática se cierra.

Sintonización preajustada

Recuperación de las emisoras de la memoria

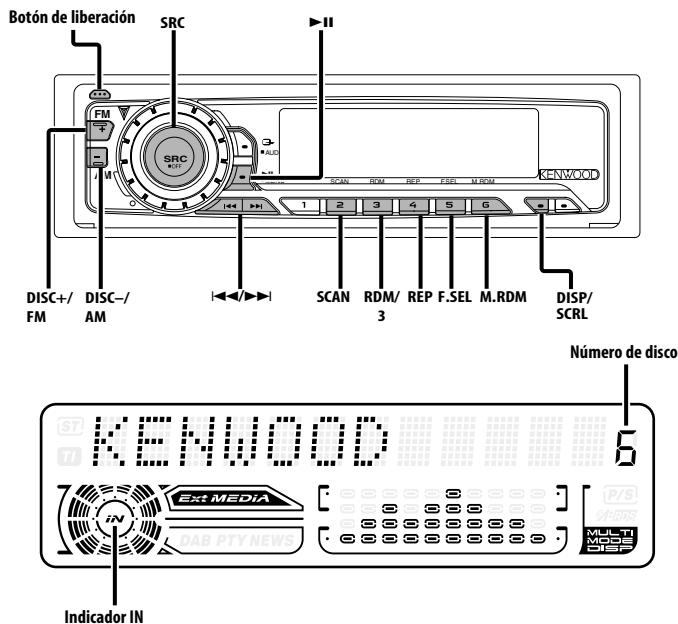
1 Seleccione la banda

Pulse el botón [FM] o [AM].

2 Recupere la emisora

Pulse el botón [1] — [6] deseado.

Características de CD/MP3/WMA/control de disco Externo



Reproducción de un Disco Externo

Reproducción de discos colocados en el accesorio opcional de reproductor de discos conectado a esta unidad.

Pulse el botón [SRC].

Seleccione la visualización del reproductor de discos deseado.

Ejemplos de visualizaciones:

Visualización	Reproductor de Discos
"CD2"	Reproductor-CD
"CD CH"	Cambiador de CD
"MD CH"	Cambiador de MD

Pausa y Reproducción

Pulse el botón [▶II].

Cada vez que se pulse el botón, el disco queda en el estado de pausa o es reproducido.



- El disco 10 se visualiza como "0".
- Las funciones que pueden utilizarse y la información que se puede visualizar, pueden ser diferentes dependiendo del reproductor de discos externo conectado.

Reproducción de CD y MP3/WMA

Quando no hay ningún disco insertado

- 1 Abra la placa frontal hacia abajo**
Pulse el botón de liberación.
- 2 Inserte un disco.**
- 3 Presione la placa frontal en el lado izquierdo, y vuelva a colocarla en su posición anterior.**



- Cuando se ha abierto la placa frontal puede interferir con la palanca de cambios o algún otro objeto del vehículo. Si ocurriera esto, preste atención a la seguridad y mueva la palanca de cambio o tome las medidas oportunas y luego proceda a hacer funcionar la unidad.
- No utilice la unidad con la placa frontal en la posición de abierta. Si se utiliza en la posición abierta, puede entrar polvo en la parte interior y ocasionar daños.



- Cuando hay un disco insertado, el indicador "IN" se activa.

Quando hay un disco insertado

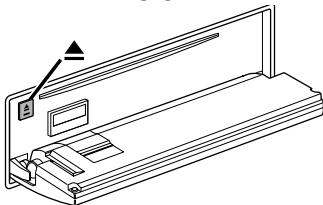
- Pulse el botón [SRC].
Seleccione la visualización "CD".

Pausa y Reproducción

- Pulse el botón [▶II].
Cada vez que se pulse el botón, el disco queda en el estado de pausa o es reproducido.

Expulse el disco

- 1 Abra la placa frontal hacia abajo**
Pulse el botón de liberación.
- 2 Expulse el disco**
Pulse el botón [▲].



- 3 Presione la placa frontal en el lado izquierdo, y vuelva a colocarla en su posición anterior.**



- Los CD de 3 pulgadas (8cm) no pueden ser reproducidos. El uso e inserción de un adaptador en esta unidad puede ocasionar daños.



- Los formatos MP3/WMA que puede reproducir esta unidad deben estar en soportes CD-ROM, CD-R y CD-RW.
Los formatos de medios deben ser ISO 9660 Nivel 1, Nivel 2, Joliet, o Romeo. Los métodos y precauciones que deben seguirse para escribir datos MP3/WMA están descritos en 'Notas sobre la reproducción de MP3/WMA' (página 94).
Compruebe dicha sección antes de crear los medios MP3/WMA.

Avance rápido y rebobinado

Avance rápido

- Mantenga pulsado el botón [▶▶].
Libere el botón en el punto en el que desea reanudar la reproducción.

Inversión

- Mantenga pulsado el botón [◀◀].
Libere el botón en el punto en el que desea reanudar la reproducción.

Búsqueda de Pista/Archivo

Búsqueda de una canción en el disco o en la carpeta MP3/WMA.

- Pulse el botón [◀◀] o [▶▶].

Función de cambiador de discos/MP3/WMA

Búsqueda de Disco/Búsqueda de Carpeta

Selección del ajuste de disco en el cambiador de disco o la carpeta grabada en el MP3/WMA media.

- Pulse el botón [DISC-] o el botón [DISC+].

Función de mando a distancia

Búsqueda de Pista/Archivo Directa

Búsqueda de Pista/Archivo mediante la introducción del número de pista/archivo.

- 1 Introduzca el número de pista/archivo**
Pulse los botones numérico en el mando a distancia.

2 Realice la Búsqueda de Pista/Archivo

Pulse el botón [**◀◀**] o [**▶▶**].

Cancelación de la Búsqueda de Pista/Archivo Directa

Pulse el botón [**▶II**].

Función de cambiadores de discos con mando a distancia

Búsqueda de Disco Directa

Búsqueda de Disco mediante la introducción del número de pista.

1 Introduzca el número de disco

Pulse los botones numérico en el mando a distancia.

2 Realice la Búsqueda de Disco

Pulse el botón [DISC+] o [DISC-].

Cancelación de la Búsqueda de Disco Directa

Pulse el botón [**▶II**].



- Introduzca "0" para seleccionar el disco 10.

Repetición de Pista/Archivo/Disco/ Carpeta

Repetición de la canción, disco del cambiador de discos o carpeta MP3/WMA que esté escuchando.

Pulse el botón [REP].

Cada vez que se pulse el botón, la Repetición de Reproducción cambiará como se indica a continuación.

En un CD y fuente de disco Externa

Repetición de reproducción	Visualización
Repetición de pista	"(T-)Repeat ON"
Repetición de Disco (En cambiador de discos)	"D Repeat ON"
DESACTIVADO	"Repeat OFF"

En fuente MP3/WMA

Repetición de reproducción	Visualización
Repetición de archivo	"File REP ON"
Repetición de carpeta	"FOLD REP ON"
DESACTIVADO	"Repeat OFF"

Reproducción con Exploración

Reproducción de la primera parte de cada canción de la carpeta de disco o MP3/WMA que esté escuchando y búsqueda de la canción que desee escuchar.

1 Inicie la Reproducción con Exploración

Pulse el botón [SCAN].

Se visualiza "Scan ON".

2 Libere cuando se reproduzca la canción que desee escuchar

Pulse el botón [SCAN].

Reproducción aleatoria

Reproduzca todas las canciones del disco o carpeta MP3/WMA en orden aleatorio.

Pulse el botón [RDM].

Cada vez que se pulsa el botón, la Reproducción Aleatoria se activa o desactiva.

Cuando está activada se visualiza "Random ON".



- Cuando se pulsa el botón [**▶▶**], comenzará la selección de la siguiente canción.

Características de CD/MP3/WMA/control de disco Externo

Función de cambiador de discos

Reproducción Aleatoria de Magazine

Reproduzca las canciones de todos los discos del cambiador de discos en orden aleatorio.

Pulse el botón [M.RDM].

Cada vez que se pulsa el botón, la Reproducción Aleatoria Magazine se activa o desactiva.

Cuando está activada se visualiza "M-Random ON".



- Cuando se pulsa el botón [▶▶], comenzará la selección de la siguiente canción.

Función de MP3/WMA

Selección de carpetas

Selección rápida de la carpeta que desee escuchar.

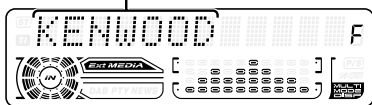
1 Acceso al modo de selección de carpetas

Pulse el botón [F.SEL].

Se visualiza "Select Mode".

Durante el modo de Selección, se visualizará la información de carpeta tal como se indica a continuación.

Visualización del nombre de la carpeta
Muestra el nombre de la carpeta actual.



2 Seleccione el nivel de carpeta

Pulse el botón [FM] o [AM].

Con el botón [FM] se moverá 1 nivel hacia abajo y con el botón [AM] 1 nivel hacia arriba.

Selección de una carpeta del mismo nivel

Pulse el botón [◀◀] o [▶▶].

Con el botón [◀◀] se moverá a la carpeta anterior y con el botón [▶▶] a la carpeta siguiente.

Retorno al nivel superior

Pulse el botón [3].

3 Decida la carpeta que desee que se reproduzca

Pulse el botón [▶▶].

El modo de selección de carpeta se libera y el MP3/WMA de la carpeta visualizada es reproducido.



- Los métodos para ir a otras carpetas en el modo de selección de carpetas son diferentes de los del modo de búsqueda de carpetas.

Véase 'Notas sobre la reproducción de MP3/WMA' (página 84) respecto de los detalles.

Cancelación del modo de selección de carpeta

Pulse el botón [F.SEL].

Despliegue de Texto/Título

Despliegue del texto de CD, texto de MP3/WMA, o título MD.

Pulse el botón [SCRL] durante más de 1 segundo.

Función de cambiadores de discos con mando a distancia

DNPP (Disc Name Preset Play)

Selección del CD visualizado en la DNPS de los discos CD ajustados en el cambiador de discos.

1 Acceda al modo DNPP

Pulse el botón [DNPP] del mando a distancia.

Cuando se visualiza "DNPP", DNPS se visualiza por orden.

Visualización de Avance / Inversión

Pulse el botón [DISC-] o botón [DISC+].

2 Cuando se visualiza el disco deseado

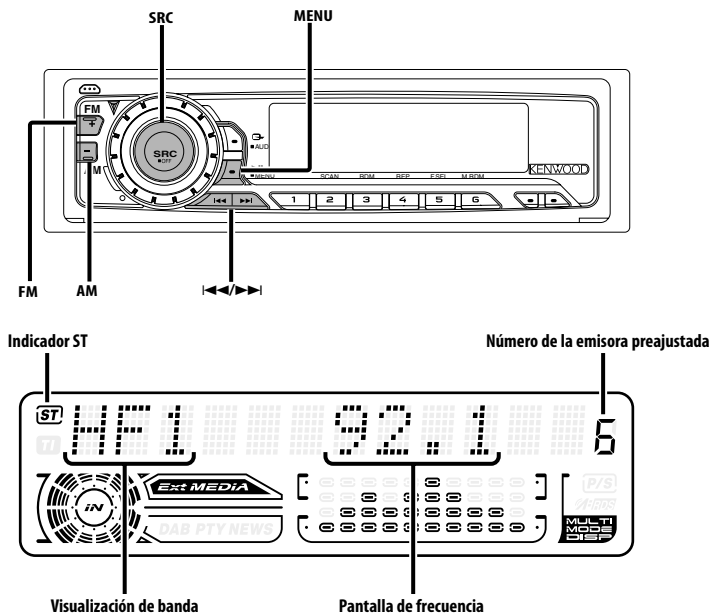
Pulse el botón [OK] del mando a distancia.

Se reproducirá el disco visualizado.

Cancelación del modo DNPP

Pulse el botón [DNPP] del mando a distancia.

Funciones de control de radio HD



Sintonización

Selección de la emisora.

1 Seleccione la fuente de radio HD

Pulse el botón [SRC].

Seleccione la visualización "HD Radio".

2 Seleccione una banda de HF

Pulse el botón [FM].

Cada vez que pulse el botón [FM] cambiará entre las bandas HF1, HF2, y HF3.

Seleccione una banda de HA

Pulse el botón [AM].

3 Sintonice la banda hacia arriba o hacia abajo

Pulse el botón [◀◀] o [▶▶].



- Cuando conecte una radio HD, las funciones de sintonizador de la unidad se desactivarán y cambiarán a las funciones de sintonizador de radio HD. Se modificará una parte de los métodos de ajuste, incluyendo el modo de sintonización.

- Con el sintonizador de radio HD, puede utilizar las funciones similares a 'Memoria de presintonización de emisoras' y 'Sintonización preajustada' de las funciones de sintonizador. Rémitase a las funciones de sintonizador si desea saber cómo utilizar las funciones.
- La radio HD no puede seleccionarse como fuente de zona dual.

Entrada de Memoria Automática

Almacenamiento automático de emisoras con buena recepción en la memoria.

1 Seleccione la banda de la entrada de memoria automática

Pulse el botón [FM] o [AM].

2 Acceda al modo de menú

Pulse el botón [MENU] durante más de 1 segundo.

Se visualiza "MENU".

3 Seleccione el modo de Entrada de Memoria Automática

Pulse el botón [FM] o [AM].

Seleccione la visualización "Auto-Memory".

4 Abra la Entrada de Memoria Automática

Pulse el botón [◀◀] o [▶▶] durante más de 2 segundos.

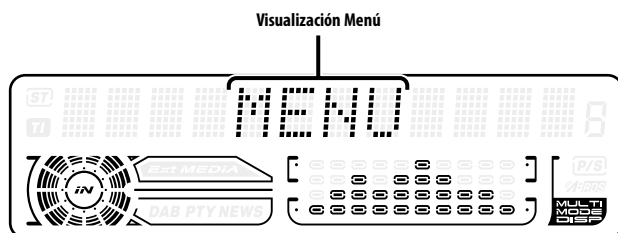
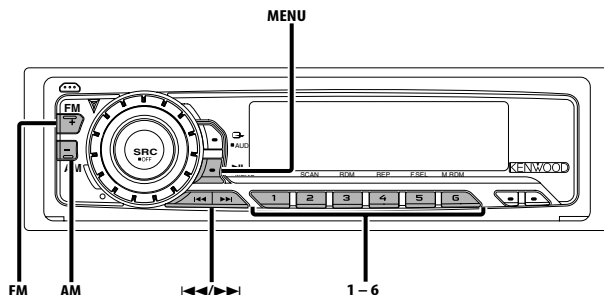
Cuando se guardan en memoria 6 emisoras que pueden recibirse, la Entrada de Memoria Automática se cierra.

5 Salga del modo de Menús

Pulse el botón [MENU].



- El método de recepción se puede conmutar con el ajuste del 'Ajuste del modo de recepción' (página 104).



Sistema de Menús

Ajuste de la función de sonido bip, etc. durante el funcionamiento.

Aquí se explica el método de funcionamiento básico del sistema de Menús. La referencia a los elemento de menú y el contenido de sus ajustes se encuentra a continuación de esta explicación de funcionamiento.

1 Acceda al modo de Menús

Pulse el botón [MENU] durante más de 1 segundo.

Se visualiza "MENU".

2 Seleccione el elemento de menú

Pulse el botón [FM] o [AM].

Ejemplo: Cuando desee ajustar el sonido de bip, seleccione la visualización "Beep".

3 Ajuste el elemento de menú.

Pulse el botón [◀◀] o [▶▶].

Ejemplo: Cuando se selecciona "Beep", cada vez que se pulse el botón cambiará a "Beep ON" o "Beep OFF". Seleccione 1 de ellos como el ajuste.

Puede continuar volviendo al paso 2 y ajustando otras opciones.

4 Salga del modo de Menús

Pulse el botón [MENU].



- Cuando se visualizan otras opciones, aplicables al método de funcionamiento básico mencionado, se introduce la tabla de contenidos de sus ajustes. (Normalmente, el ajuste situado en la parte superior de la tabla es el ajuste original) Además, la explicación de los elemento que no son aplicables ('Ajuste manual del reloj' etc.) se introducen paso a paso.

Acerca del Menú

En modo Standby

Código de Seguridad

Debido a que es necesaria la autorización del Código de Seguridad cuando se extrae del vehículo, la personalización de esta unidad por medio del Código de Seguridad resulta útil en la prevención de robos.



- Cuando se activa la función de Código de Seguridad, el código no puede cambiarse y la función no puede liberarse. Observe que el Código de Seguridad puede ajustarse con un número de 4 cifras de su elección.

1 Acceda al modo En Espera

Pulse el botón [SRC].

Seleccione la visualización "STANDBY".

2 Acceda al modo de menú

Pulse el botón [MENU] durante más de 1 segundo.

Cuando se visualice "MENU", se visualizará "Security".

3 Acceda al modo de Código de Seguridad

Pulse el botón [◀◀] o [▶▶] durante más de 1 segundo.

Cuando se visualice "ENTER", se visualizará "CODE".

4 Seleccione las cifras que desea introducir

Pulse el botón [◀◀] o [▶▶].

5 Seleccione los números del Código de Seguridad

Pulse el botón [FM] o [AM].

6 Repita los pasos 4 y 5 y complete el Código de Seguridad.

7 Confirme el Código de Seguridad

Pulse el botón [▶▶] durante más de 3 segundos.

Cuando se visualice "RE-ENTER", se visualizará "CODE".

8 Repita los pasos 4 a 7 y vuelva a introducir el código de seguridad.

Se visualiza "APPROVED".

La función de Código de Seguridad se activa.



- Cuando se ha introducido un Código equivocado en los pasos 4 a 6, repita el procedimiento a partir del paso 4.

Pulse el botón Reset y cuando sea desconectado de la alimentación por batería

1 ACTIVE el encendido.

2 Repita los pasos 4 a 7 e introduzca el código de seguridad.

Se visualiza "APPROVED".

La unidad ya puede utilizarse.

Tono de Sensor de Contacto

ACTIVACIÓN/DESACTIVACIÓN del sonido de comprobación de funcionamiento (sonido bip).

Visualización	Preajuste
"Beep ON"	Se escucha un beep.
"Beep OFF"	Beep cancelado.

Ajuste manual del reloj

1 Seleccione el modo de Ajuste de Reloj

Pulse el botón [FM] o [AM].

Seleccione la visualización "Clock Adjust".

2 Acceda al modo de Ajuste del Reloj

Pulse el botón [◀◀] o [▶▶] durante más de 1 segundo.

La indicación horaria parpadea.

3 Ajuste las horas

Pulse el botón [FM] o [AM].

Ajuste los minutos

Pulse el botón [◀◀] o [▶▶].

4 Salga del modo de ajuste del Reloj

Pulse el botón [MENU].

DSI (Disabled System Indicator)

Después de retirar la placa frontal de la unidad, parpadea un indicador rojo como advertencia para potenciales ladrones.

Visualización	Preajuste
"DSI ON"	El LED parpadea.
"DSI OFF"	LED desactivado.

Iluminación seleccionable

Selección del color de iluminación del botón en verde o rojo.

Visualización	Preajuste
"Color Red"	El color de iluminación es rojo.
"Color Green"	El color de iluminación es verde.

Cambio del Tipo de Visualización

Ajuste del Tipo de Visualización.

Visualización	Preajuste
"DisplayC"	Demostración.
"DisplayA"	Tipo de visualización normal.
"DisplayB"	Tipo de visualización silenciosa.

Función del KDC-MPV525/KDC-MPV5025

Ajuste del color de iluminación

Es posible ajustar la pantalla a un color deseado.

1 Seleccione el modo de Ajuste del Color de Iluminación

Pulse el botón [FM] o [AM].

Seleccione la visualización "COL".

2 El color seguirá cambiando gradualmente

Siga pulsando el botón [◀◀] o [▶▶].

Libere el dedo al llegar al color que desee.



- Los colores ajustados utilizando [◀◀] o [▶▶] serán almacenados automáticamente, y pueden ser recuperados cuando se pulse el botón [5].

Rápida recuperación del color predefinido

Pulse el botón [1] — [4] deseado.

Botón	Color
[1]	Blanco seda
[2]	Rojo
[3]	Azul
[4]	Azul Verde

Selección del modo de Color

Pulse el botón [6].

Cada vez que se pulse el botón, el modo de Color cambiará como se indica a continuación.

Visualización	Modo de Color
"Scan"	El color cambia en secuencia.
"SRC"	El color cambia según la fuente seleccionada.
"Time"	El color cambia cada seis horas.
	Mantiene el color ajustado actualmente.

Ajuste fino de azul

1 Pulse el botón [3] durante más de 2 segundos.

2 Pulse el botón [◀◀] o [▶▶].

Cuando el ajuste fino de azul haya terminado, pulse el botón [3].

Ajuste del Contraste

Ajuste del contraste de la pantalla de visualización.

Visualización y Ajuste
"Contrast 0"
⋮
"Contrast 10"

Regulador de luz

Regula la luz de la pantalla de visualización de esta unidad automáticamente cuando las luces del vehículo están encendidas.

Visualización	Preajuste
"Dimmer ON"	Se regula la luz de la pantalla.
"Dimmer OFF"	No se regula la luz de la pantalla.

Acerca del Menú

Función del KDC-X579

Ajuste del System Q

Ajuste para determinar si la pantalla indicará los factores de ecualización del sistema (frecuencia central de graves, factor de ecualización de graves, ampliación de graves, frecuencia central de medios, factor de ecualización de medios, y frecuencia central de agudos) del control de audio.

Visualización	Preajuste
"System Q ON"	Los factores de System Q se visualizan.
"System Q OFF"	Los factores de System Q no se visualizan.

Función del KDC-MPV525/KDC-MPV5025/KDC-MP425

En modo Standby

Cambio de la salida de previo

Cambio de la presalida entre el altavoz trasero y el subwoofer. (En el subwoofer esta se emite sin efecto del control de desvanecimiento.)

Visualización	Preajuste
"SWPRE Rear"	Previo posterior.
"SWPRE Sub-W"	Presalida del subwoofer.

Función del KDC-X579

En modo Standby

Ajuste de Silenciamiento de Amplificador Incorporado

Conmuta el control de silenciamiento del amplificador incorporado entre activado y desactivado. AL ACTIVAR el control se potencia la calidad del previo.

Visualización	Preajuste
"AMP Mute OFF"	Se activa el amplificador incorporado.
"AMP Mute ON"	El amplificador incorporado se desactiva.

En la fuente de sintonizador SIRIUS

Visualización de Identificación (ID) SIRIUS (ESN)

Mostrar la visualización de Identificación (ID) SIRIUS (Número de Serie Electrónico).

Visualización

"ESN = *****"



• Identificación de Serie y SIRIUS (ESN)

Es particularmente importante retener el número de serie de la unidad y el número de Identificación electrónica de SIRIUS para la activación de servicios y para potenciales cambios de servicios futuros.

Función del KDC-X579/KDC-MPV5025

En el sintonizador SIRIUS, disco externo, fuente de entrada auxiliar

Sistema de Zona Dual

Hace que el sonido del canal frontal y del canal posterior sean diferentes.

Visualización	Preajuste
"Zone 2 OFF"	Los canales frontal y posterior tienen el mismo sonido de fuente.
"Zone 2 ON"	Los canales frontal y posterior tienen diferente sonido de fuente.



- Cuando el sistema de zona dual está activado, solo hay efecto de sonido incluyendo el control de audio para la fuente interna.
- Cuando active el sistema de zona dual mientras que la presalida del subwoofer esté activada, el sonido de la presalida del subwoofer no se emitirá.
- Cuando se selecciona VZ-7000P/N (Accesorio opcional) como la fuente, el sonido del VZ-7000P/N no se emite si el sistema de zona dual está activado.

Función del KDC-X579/KDC-MPV5025
Cuando el Sistema de Zona Dual esta
DESACTIVADO

Ajuste del Sistema de Zona Dual

Ajuste del sonido del canal Frontal y del canal Posterior en el sistema de zona dual.

Visualización	Preajuste
"Zone 2 Rear"	El canal frontal es la fuente interna de esta unidad y el posterior es el sonido de la fuente seleccionada.
"Zone 2 Front"	El canal posterior es la fuente interna de esta unidad y el frontal es el sonido de la fuente seleccionada.

Función del KDC-X579

B.M.S. (Bass Management System)

Ajuste el nivel de refuerzo de graves del amplificador externo con la unidad principal.

Visualización	Preajuste
"AMP Bass FLT"	El nivel de refuerzo de graves es plano.
"AMP Bass +6"	El nivel de refuerzo de graves es bajo (+6dB).
"AMP Bass +12"	El nivel de refuerzo de graves es medio (+12dB).
"AMP Bass +18"	El nivel de refuerzo de graves es alto (+18dB).



- Remítase al catálogo o al manual de instrucciones para amplificadores de potencia que pueden ser controlados desde esta unidad.
- Para amplificadores está el modelo que se puede ajustar desde lo mínimo hasta +18 dB, y el modelo que se puede ajustar desde lo mínimo hasta +12 dB. Cuando un amplificador se conecta de tal forma que solo se puede ajustar a +12, aún si se selecciona "AMP Bass +18" este no funcionará correctamente.

Función del KDC-X579

B.M.S. Compensación de frecuencias

Ajuste de la frecuencia central reforzada por el B.M.S.

Visualización	Preajuste
"AMP Freq NML"	Refuerzo con la frecuencia central normal.
"AMP Freq Low"	Disminuya la frecuencia central normal en 20%.

Recepción en FM

CRSC (Clean Reception System Circuit)

Cambie temporalmente la recepción de estéreo a mono para reducir el ruido de paso múltiple al oír la emisora FM.

Visualización	Preajuste
"CRSC ON"	El CRSC está activado.
"CRSC OFF"	El CRSC está desactivado.



- Los campos eléctricos fuertes (como las líneas de alta tensión) pueden producir que la calidad del sonido sea inestable cuando CRSC está activado. En tal caso, desactívelo.

Despliegue de Texto

Ajuste del Despliegue de texto visualizado.

Visualización	Preajuste
"Scroll Auto"	Repite el despliegue.
"Scroll MANU"	Hace el despliegue cuando la visualización cambia.



- El texto desplegado se indica a continuación.
 - Texto de CD
 - Nombre de Carpeta/ Nombre de Archivo/ Título de canción/Nombre de artista/ Nombre de álbum
 - Título de MD
 - Texto para la fuente del sintonizador SIRIUS, Fuente de radio HD, incluyendo el nombre de canal, etc.

Acerca del Menú

En modo Standby

Ajuste de la lectura del CD

Cuando existe algún problema en la reproducción de un CD con formato especial, este ajuste reproduce el CD forzosamente.

Visualización	Preajuste
"CD READ 1"	Reproducir CD y MP3/WMA.
"CD READ 2"	Reproducir CD forzosamente.



- El ajuste "CD READ 2" no puede reproducir MP3/WMA. Es posible que algunos CDs de música no se puedan reproducir aún en el modo "CD READ 2".

Función del KDC-X579

Con la conexión de LX AMP a la unidad

Control AMP

Es posible controlar el amplificador LX AMP conectado a la unidad.

1 Selección del modo AMP

Pulse el botón [FM] o [AM].

Seleccione la visualización "AMP Control".

2 Acceso al modo de control AMP

Pulse el botón [◀◀] o [▶▶] durante más de 1 segundo.

3 Selección del ítem de control AMP para su ajuste

Pulse el botón [FM] o [AM].



- Respecto de los detalles del ítem de control AMP, consulte el manual de instrucciones que acompaña al amplificador LX AMP.

4 Ajuste del modo de control AMP

Pulse el botón [◀◀] o [▶▶].

5 Salida del modo de control AMP

Pulse el botón [MENU].

En el modo de radio HD

Ajuste del modo de recepción

Ajusta el modo de recepción.

1 Seleccione el modo de recepción

Pulse el botón [FM] o [AM].

Seleccione la visualización "Receive Mode".

2 Abra modo de recepción

Pulse el botón [◀◀] o [▶▶] durante más de 1 segundo.

3 Ajuste el modo de recepción

Pulse el botón [FM] o [AM].

Cada vez que se pulsa el botón, el modo de recepción cambia como se indica a continuación.

Modo de recepción	Visualización	Funcionamiento
Modo automático	"Auto"	Las emisiones analógicas y digitales se conmutarán automáticamente. Cuando se transmitan las dos, tendrán prioridad las emisiones digitales.
Digital	"Digital"	Solo emisiones digitales.
Analógico	"Analog"	Solo emisiones analógicas.

4 Salga del modo de recepción

Pulse el botón [MENU].



- Incluso con el ajuste "Auto", se recibirá una emisión analógica durante la recepción de un modo de partido de pelota (programa de emisión sin retardo).

En el modo de radio HD

Modo de Sintonización

Ajusta el modo de sintonización.

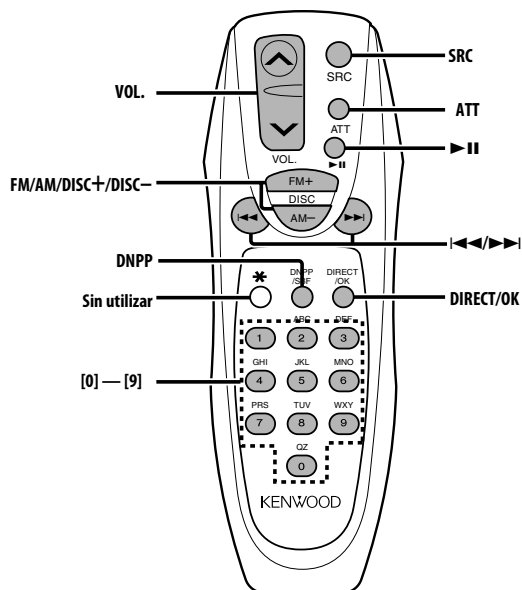
Modo de Sintonización	Visualización	Funcionamiento
Búsqueda automática	"Auto 1"	Búsqueda automática de una emisora.
Búsqueda de emisora predefinida	"Auto 2"	Search in order of the stations in the Preset memory.
Manual	"Manual"	Control de sintonización manual normal.

En el modo de radio HD

Entrada de Memoria Automática

Respecto del método de funcionamiento consulte 'Entrada de Memoria Automática' (página 98).

Operaciones básicas del control remoto

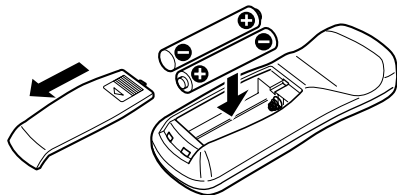


Carga y Recambio de la Pila

Utilice dos pilas tamaño "AA".

Deslice la cubierta del compartimiento de las pilas presionándola ligeramente como se muestra en la figura.

Inserte las pilas con los polos + y - alineados correctamente, siguiendo la ilustración del interior del compartimiento.



⚠ ADVERTENCIA

- Guarde las pilas no utilizadas lejos del alcance de los niños. Llame al médico inmediatamente si la pila fuera tragada por accidente.



- No coloque el mando a distancia sobre sitios calientes como encima del salpicadero.

Operaciones básicas

Botones [VOL.]

Ajuste del volumen.

Botón [SRC]

Cada vez que se pulse el botón, la fuente cambiará.

Respecto del orden de cambio de la fuente, remítase a 'Selección de la fuente' (página 86).

Botón [ATT]

Baja el volumen rápidamente.

Cuando se pulsa de nuevo, vuelve al nivel anterior.

Operaciones básicas del control remoto

En fuente Sintonizador

Botones [AM]/ [FM]

Seleccione la banda.

Cada vez que pulse el botón [FM] cambiará entre las bandas FM1, FM2, y FM3.

Botones [◀◀]/ [▶▶]

Sintonice la banda hacia arriba o hacia abajo.

Botones [0] — [9]

Pulse los botones [1] — [6] para recuperar las emisoras predefinidas.

Botón [DIRECT]/ [OK]

Selecciona y cancela el modo 'Sintonización de Acceso Directo' (página 92).

En fuente de Disco

Botones [◀◀]/ [▶▶]

Pista/archivo hacia delante y hacia atrás.

Botones [DISC+]/ [DISC-]

Disco/Carpeta hacia delante y hacia atrás.

Botón [▶II]

Cada vez que se pulse el botón, la canción queda en el estado de pausa o es reproducida.

Botón [DNPP]

Selecciona y cancela el modo 'DNPP (Disc Name Preset Play)' (página 96).

Botones [0] — [9]

Estando en 'Búsqueda de Pista/Archivo Directa' (página 95) y 'Búsqueda de Disco Directa' (página 94), introduzca el número de pista/archivo/disco.

En fuente de radio HD

Botones [FM]

Seleccione una banda de HF.

Cada vez que pulse el botón [FM] cambiará entre las bandas HF1, HF2, y HF3.

Botones [AM]

Seleccione una banda de HA.

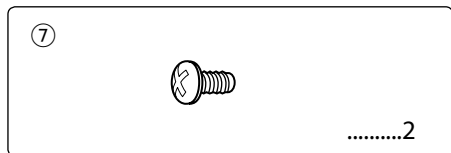
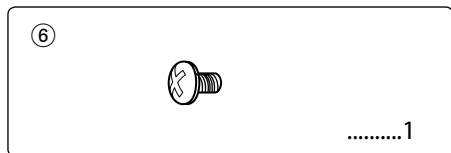
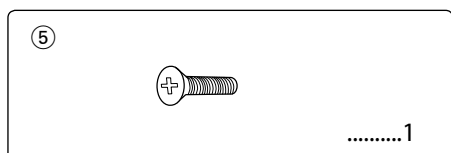
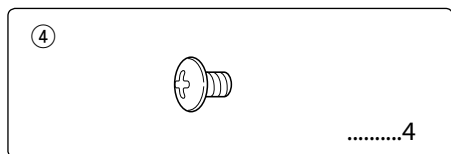
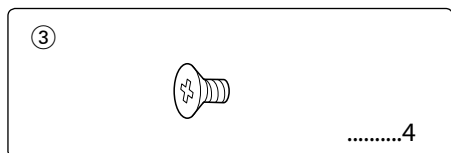
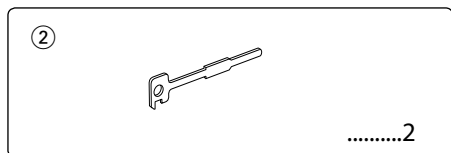
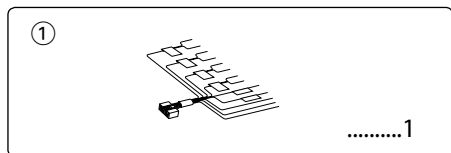
Botones [◀◀]/ [▶▶]

Sintonice la banda hacia arriba o hacia abajo.

Botones [0] — [9]

Pulse los botones [1] — [6] para recuperar las emisoras predefinidas.

Accesorios



Procedimiento de instalación

1. Para evitar cortocircuitos, retire la llave del encendido y desconecte el terminal ⊖ de la batería.
2. Conecte correctamente los cables de entrada y de salida de cada unidad.
3. Conecte los cables del altavoz del mazo de conductores.
4. Conecte los cables del mazo de conductores en el siguiente orden: masa, batería, encendido.
5. Conecte el conector del mazo de conductores a la unidad.
6. Instale la unidad en su automóvil.
7. Vuelva a conectar el terminal ⊖ de la batería.
8. Luego pulse el botón de reposición.

▲ADVERTENCIA

Si conecta el cable de encendido (rojo) y el cable de la batería (amarillo) al chasis del automóvil (masa), podría producir un cortocircuito y esto a su vez, un incendio. Siempre conecte estos cables a la fuente de alimentación que pasa a través de la caja de fusibles.



- Si el encendido de su automóvil no está provisto de la posición ACC, conecte los cables de encendido a una fuente de alimentación que pueda conectarse y desconectarse con la llave de encendido. Si conecta el cable de encendido a una fuente de alimentación que recibe un suministro constante de alimentación tales como los cables de la batería, la batería podría descargarse.
- Si la consola tiene una tapa, asegúrese de instalar la unidad de modo que la placa frontal no golpee la tapa al abrir y cerrar.
- Si se funde el fusible, en primer lugar asegúrese de que los cables no hayan causado un cortocircuito, y luego reemplace el fusible usado por otro del mismo régimen.
- Enrolle los cables no conectados con una cinta de vinilo u otro material similar para que queden aislados. Para evitar cortocircuitos, no retire las tapas de los extremos de los cables o terminales no conectados.
- Conecte los cables de los altavoces a cada uno de los terminales correspondientes. La conexión compartida de los cables ⊖ o la conexión a masa de los mismos a cualquier parte metálica del automóvil podrá dañar la unidad o impedir su correcto funcionamiento.
- Cuando se han conectado solamente dos altavoces al sistema, conecte los conectores ya sea a ambos terminales de salida delanteros, o a ambos terminales de salida traseros (o sea, no mezcle terminales delanteros y traseros). Por ejemplo, si conecta el conector ⊕ del altavoz izquierdo a un terminal de salida delantero, no conecte el conector ⊖ del altavoz derecho a un terminal de salida trasero.
- Después de instalar la unidad, compruebe que las lámparas de freno, las lámparas de destello, el limpiaparabrisas, etc. funcionen satisfactoriamente.
- Instale la unidad en un ángulo de 30° o menos.

Conexión de cables a los terminals

	KDC-X579	KDC-MPV525/MPV5025/MP425
A	Salida trasera	
B	Salida delantera	Salida delantera
C	Salida del subwoofer	Salida trasera/ Salida del subwoofer

Salida izquierda (Blanco), Salida derecha (Rojo)

Al cambiador de discos KENWOOD / Sintonizador de radio satélite Sirius/ Accesorio opcional externo

Para conectar estos cables, remítase a los manuales de instrucciones relacionados.

Si no se efectúan las conexiones, no deje que el cable sobresalga de la lengüeta.

Conecte al terminal de control de alimentación cuando utilice el amplificador de potencia opcional, o al terminal de control de antena del vehículo.

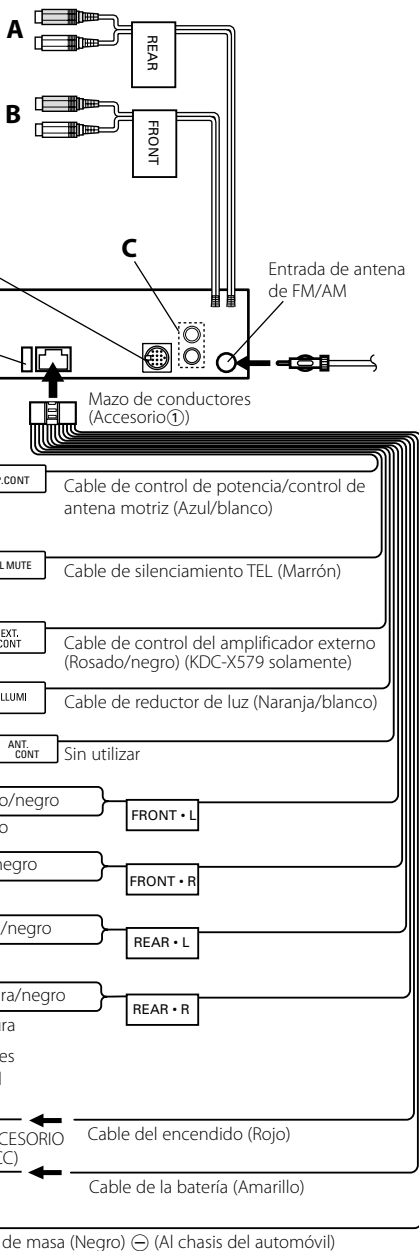
Conecte al terminal puesto a masa ya sea al sonar el teléfono o durante la conversación.

Para conectar el sistema de navegación KENWOOD, consulte su manual de navegación.

Al terminal "EXT.AMP.CONT." del amplificador con la función de control del amplificador externo.

Al interruptor de control de iluminación del automóvil.

No permita que el cable salga de la etiqueta.

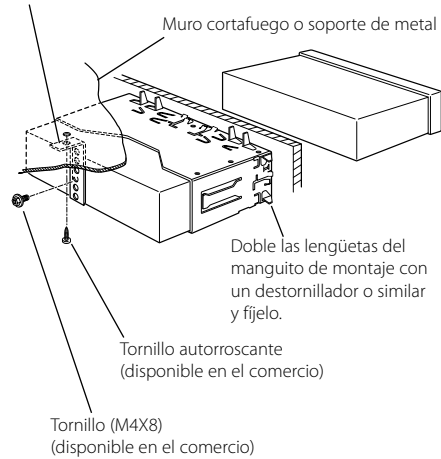


Instalación

Automóiles no japoneses

Correa de montaje metálico
(disponible en el comercio)

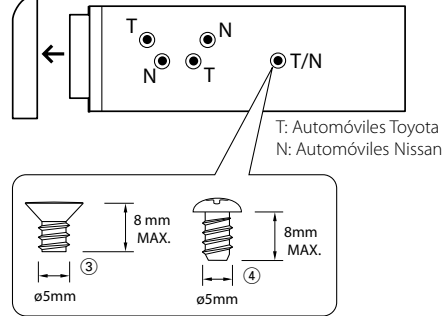
Muro cortafuego o soporte de metal



- Asegúrese de que la unidad esté firmemente instalada en su lugar. Si está instalada en forma inestable, podrían ocurrir fallas de funcionamiento (p.ej., saltos de sonido).

Automóiles japoneses

- 1 Refiérase a la sección 'Extracción del Marco de Goma Dura' (página 111) y retire el marco de goma dura.
- 2 Alinee los orificios de la unidad (dos lugares en cada lado) con la ménsula de montaje del vehículo y fije la unidad con los tornillos suministrados.



Accesorio③...para automóviles Nissan
Accesorio④...para automóviles Toyota

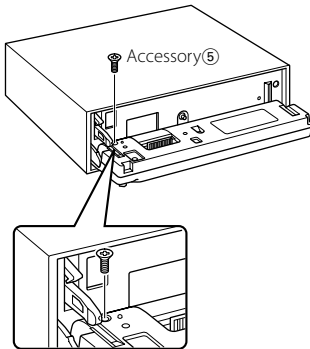


- Durante la instalación, no utilice otros tornillos que no sean los suministrados. El uso de tornillos diferentes podría causar daños en la unidad principal.
- El apriete excesivo utilizando un destornillador eléctrico o similar durante la instalación podrá ocasionar daños en el chasis.

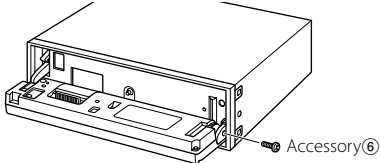
Fijación de la placa frontal a la unidad

Si desea fijar la placa frontal a la unidad principal para que no se caiga.

- 1 Refiérase a la sección 'Extracción del Marco de Goma Dura' (página 111) y retire el marco de goma dura.
- 2 Abra hacia abajo la placa frontal pulsando el botón de liberación.
- 3 Apriete los tornillos ($\varnothing 2,6 \times 12$ mm) (Accesorio ⑤) en los orificios como se ilustra en la figura.

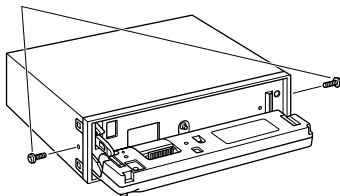


- 4 Apriete los tornillos ($\varnothing 2 \times 4$ mm) (Accesorio ⑥) en los orificios como se ilustra en la figura.



- 5 Apriete los tornillos ($\varnothing 2 \times 6$ mm) (Accesorio ⑦) en los orificios como se ilustra en la figura.

Accessory ⑦



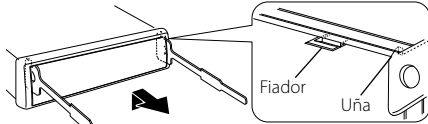
- No inserte nunca los tornillos en otro orificio de tornillo que no sea el especificado.

Si los inserta en otro orificio, se contraerá y podrá ocasionar daños a las partes mecánicas del interior de la unidad.

Desmontaje de la unidad

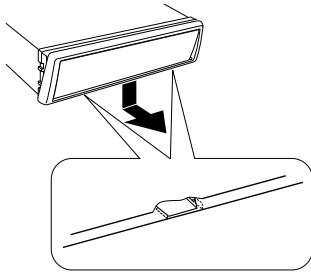
Extracción del Marco de Goma Dura

- 1 Enganche las clavijas de agarre en la herramienta de retirar y quite los dos enganches en el nivel superior. Suba el bastidor y tire de él hacia adelante tal como se indica en la figura.



Accesorio②
Herramienta de extracción

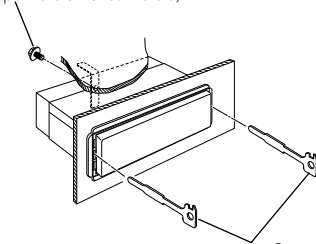
- 2 Al quitar el nivel superior, quite las dos posiciones inferiores.



- Se puede quitar el marco de la parte de abajo de la misma forma.

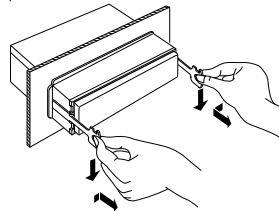
Desmontaje de la unidad

- 1 Refiérase a la sección 'Extracción del Marco de Goma Dura' (página 111) y retire el marco de goma dura.
- 2 Quite el tornillo con arandela (M4x8) del panel posterior.
- 3 Inserte profundamente las dos herramientas de extracción en las ranuras de cada lado, tal como se muestra en la figura.
Tornillo (M4X8)
(disponible en el comercio)

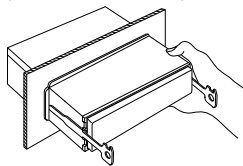


Accesorio②
Herramienta de extracción

- 4 Mueva la herramienta de extracción hacia abajo, y extraiga la unidad hasta la mitad mientras presiona hacia adentro.



- Preste atención para no lastimarse con las uñas de la herramienta de extracción.
- 5 Termine de sacar la unidad con las manos, prestando atención para no dejarla caer.



Lo que podría parecer un fallo de funcionamiento de su unidad podría ser simplemente el resultado de un pequeño error de operación o de un defecto de conexión. Antes de acudir al servicio, verifique primero el siguiente cuadro sobre los problemas que se podrían presentar.

General

? No se puede conectar la alimentación.

- ✓ El fusible está fundido.
 - ☞ Después de verificar si hay cortocircuitos en los cables, reemplace el fusible por otro del mismo valor.

? Hay una fuente que no se puede conmutar.

- ✓ No hay ningún medio insertado.
 - ☞ Ajuste los medios que desea escuchar. Si no hay ningún medio en esta unidad, no se puede conmutar a cada fuente.
- ✓ El cambiador de discos no está conectado.
 - ☞ Conecte el cambiador de discos. Si el cambiador de discos no está conectado a su terminal de entrada, No se puede conmutar a una fuente de disco externa.

? Se borra la memoria al desconectar el encendido.

- ✓ El encendido y el cable de la batería están incorrectamente conectados.
 - ☞ Conecte correctamente el cable, refiriéndose a la sección 'Conexión de cables a los terminals'.

? No hay efecto de sonoridad.

- ✓ Está utilizando una presalida de subwoofer.
 - ☞ La sonoridad no tiene efecto en la presalida de subwoofer.

? Aún si la sonoridad esta activada, el tono agudo no se compensa.

- ✓ Se selecciona la fuente de sintonizador.
 - ☞ El tono agudo no se compensa cuando está la fuente de sintonizador.

? La función del silenciador de TEL no se activa.

- ✓ El cable del silenciador de TEL no está conectado correctamente.
 - ☞ Conecte correctamente el cable, refiriéndose a la sección 'Conexión de cables a los terminals'.

? La función del silenciador de TEL se activa aunque no está conectado el cable del silenciador de TEL.

- ✓ El cable del silenciador de TEL está haciendo contacto con una parte metálica del automóvil.
 - ☞ Separe el cable del silenciador de TEL de cualquier parte metálica del automóvil.

? No se escucha el sonido, o el volumen es bajo.

- ✓ Las configuraciones de desvanecimiento o balance se ajustan todas hacia un lado.
 - ☞ Centre los ajustes de desvanecimiento y balance.
- ✓ Los cables de entrada/salida o el mazo de conductores están conectados incorrectamente.
 - ☞ Vuelva a conectar correctamente los cables de entrada/salida y/o el mazo de conductores. Consulte la sección de 'Conexión de cables a los terminals'.
- ✓ Los valores de desviación de volumen son bajos.
 - ☞ Suba la compensación de Volumen, remitiéndose a la sección 'Control de audio' (página 87).

? Calidad del sonido deficiente o distorsionada.

- ✓ Uno de los cables del altavoz está siendo apretado por uno de los tornillos del automóvil.
 - ☞ Verifique el conexionado del altavoz.
- ✓ Los altavoces no están conectados correctamente.
 - ☞ Vuelva a conectar los cables del altavoz de manera que cada terminal de salida quede conectado a un altavoz diferente.

? El tono del sensor de toque no suena.

- ✓ El terminal de salida de previo está siendo utilizado.
 - ☞ El tono del sensor de toque no puede ser emitido desde el terminal de salida de previo.

? La función de intensidad de iluminación no funciona.

- ✓ El cable de intensidad de iluminación no está conectado correctamente.
 - ☞ Verifique la conexión del cable de intensidad de iluminación.

? El color de la pantalla cambia sutilmente.

- ✓ Esto se debe a que la temperatura es diferente a la temperatura que había cuando se realizó el ajuste.
 - ☞ La condición del color de la pantalla cambia sutilmente de acuerdo con la temperatura ambiente.

Fuente de sintonizador

? Recepción de radio deficiente.

- ✓ No está extendida la antena del automóvil.
 - ☞ Extraiga completamente la antena.
- ✓ El cable de control de antena no está conectado.
 - ☞ Conecte correctamente el cable, refiriéndose a la sección 'Conexión de cables a los terminals'.

? No se puede introducir la frecuencia deseada con la Sintonización de acceso directo.

- ✓ Una emisora que no se puede recibir está siendo introducida.
 - ☞ Introduzca una emisora que se pueda recibir.
- ✓ Está tratando de introducir una frecuencia con una unidad 0,01 MHz.
 - ☞ Lo que se puede designar en la banda FM es para 0,1 MHz.

Fuente de Disco

? Se visualiza "AUX EXT" sin llevar a cabo el modo de control de disco externo.

- ✓ Está conectado un cambiador de discos no soportado.
 - ☞ Utilice el cambiador de discos mencionado en 'Acerca de los reproductores de CD/ cambiadores de discos conectados a esta unidad.' (página 81) de la sección 'Precauciones de Seguridad'.

? No se reproduce el disco especificado, sino otro.

- ✓ El CD especificado está muy sucio.
 - ☞ Limpie el CD, refiriéndose a la sección 'Limpieza de CD'.
- ✓ El disco está cargado en una ranura diferente de la especificada.
 - ☞ Saque el cartucho del disco y verifique el número del disco especificado.
- ✓ El disco está muy rayado.
 - ☞ Pruebe otro disco.

? El CD es expulsado en cuanto se lo carga.

- ✓ El CD está muy sucio.
 - ☞ Limpie el CD, remitiéndose a Limpieza de CDs de la sección 'Acerca de los CDs' (página 83).

? No se puede extraer el disco.

- ✓ La causa de esto es que han transcurrido más de 10 minutos desde que el interruptor ACCESORIO (ACC) del automóvil fue desactivado.
 - ☞ El disco solo se puede extraer durante un término de 10 minutos después de que se ha desactivado el interruptor ACCESORIO (ACC). Si han transcurrido más de 10 minutos, active nuevamente el interruptor ACCESORIO (ACC) y pulse el botón Eject.

? El disco no se insertará.

- ✓ Existe ya otro disco insertado.
 - ☞ Pulse el botón [▲] y extraiga el disco.

? La Búsqueda directa no puede realizarse.

- ✓ Otra función se activa.
 - ☞ Desactive la reproducción aleatoria u otras funciones.

? No se puede realizar la búsqueda de pistas.

- ✓ Para los discos/carpeta primera o última canción.
 - ☞ Para cada disco/carpeta, la Búsqueda de pista no puede realizarse en dirección de retroceso para la primera canción o en dirección de avance para la última canción.

Fuente MP3/WMA

? No se puede reproducir un MP3/WMA.

- ✓ El medio está rayado o sucio.
 - ☞ Limpie el medio, remitiéndose a Limpieza de CDs de la sección 'Acerca de los CDs' (página 83).

? El sonido salta cuando un MP3/WMA está siendo reproducido.

- ✓ El medio está rayado o sucio.
 - ☞ Limpie el medio, remitiéndose a Limpieza de CDs de la sección 'Acerca de los CDs' (página 83).
- ✓ No es buena la condición de grabación.
 - ☞ Grabe los medios nuevamente o utilice otros.

? El tiempo de pista de MP3/WMA no se visualiza correctamente.

- ✓ ---
 - ☞ Hay veces en las que no se visualiza correctamente de acuerdo con las condiciones de grabación de MP3/WMA.

Fuente de HD Radio

? No se escucha el sonido, o el volumen es bajo.

- ✓ La emisora preajustada no está realizando la transmisión en el modo que fue ajustado con 'Ajuste del modo de recepción' (página 104).
 - ☞ Ajuste 'Ajuste del modo de recepción' a "Auto".
- ✓ Durante una emisión de AM digital, el modo de recepción cambia entre estéreo y monoauricular con demasiada frecuencia.
 - ☞ Las condiciones de recepción son malas o inestables.
Se selecciona estéreo cuando las condiciones de recepción son buenas, y cambia a monoauricular cuando las condiciones de recepción se vuelven malas o inestables.
- ✓ El sintonizador de radio HD se conecta al KCA-S210A o a otras unidades.
 - ☞ Conecte el sintonizador de radio HD directamente a la unidad de control.

En las siguientes circunstancias, consulte a su centro de servicio técnico más próximo:

Aún cuando el cambiador de disco esté conectado, la fuente del cambiador de disco no está ACTIVADA, con "AUX EXT" visualizándose en la pantalla durante el modo de cambiador.

Los mensajes mostrados a continuación presentan las condiciones de su sistema.

EJECT:	No se ha cargado el cartucho de discos en el cambiador. El cartucho de discos no está completamente cargado. ⇨ Cargue correctamente el cartucho de discos. No hay ningún CD en la unidad. ⇨ Inserte el CD.	Hold Error:	El circuito de protección de la unidad se activa cuando la temperatura interior del cambiador de discos automático excede de 60°C (140°F), interrumpiendo toda operación. ⇨ Enfríe la unidad abriendo las ventanillas o encendiendo el acondicionador de aire. Cuando la temperatura disminuya por debajo de 60°C (140°F), se reanudará la reproducción del disco.
No Disc:	No se ha cargado el disco en el cartucho de discos. ⇨ Cargue un disco en el cartucho de discos.	NO NAME:	• Intento de visualización del DNPS durante la reproducción de CD sin tener nombres de disco preajustados. • Intentar visualizar la etiqueta ID3 mientras el MP3/WMA sin etiqueta ID3 está siendo reproducido otra vez.
TOC Error:	No se ha cargado el disco en el cartucho de discos. ⇨ Cargue un disco en el cartucho de discos. El CD está muy sucio. El CD está muy sucio. Limpie el CD y cárguelo correctamente. El CD está boca abajo. El CD está muy rayado. ⇨ Limpie el CD y cárguelo correctamente.	Load:	Los discos se están intercambiando en el cambiador de discos.
E-05:	El CD está boca abajo. ⇨ Cargue el CD correctamente.	Reading:	La unidad está leyendo los datos en el disco.
Blank Disc:	No hay nada grabado en el MD.	NO ACCESS:	Después de ajustarlo en el cambiador de disco, el DNPP fue realizado sin haberlo reproducido al menos 1 vez.
No Track:	No hay pistas grabadas en el MD, aunque hay título grabado.	IN (Parpadeo):	La sección del reproductor de CD no está funcionando apropiadamente. ⇨ Reinserte el CD. Si el CD no se puede expulsar o si la pantalla continua relampagueando aún cuando el CD ha sido reinsertado apropiadamente, por favor desactive la alimentación y consulte con su centro de servicios más cercano.
E-15:	Se reprodujeron medios que no tenían datos grabados que la unidad pudiera reproducir. ⇨ Utilice medios que tengan datos grabados que la unidad pueda reproducir.	Unsupported:	Se reprodujo un MP3/WMA con un formato que no soporta esta unidad. ⇨ ----
No Panel:	La placa frontal de la unidad esclava que se conecta a esta unidad ha sido extraída. ⇨ Vuélvala a colocar.	Protected:	Se reprodujo un archivo con protección contra copias. ⇨ ----
E-77:	Por algún motivo, la unidad funciona en forma defectuosa. ⇨ Pulse el botón de reposición de la unidad. Si el código "E-77" no desaparece, consulte con el centro de servicio más cercano.		
Mecha Error:	El magazín de disco tiene algún problema. O la unidad está funcionando incorrectamente por alguna razón. ⇨ Revise el magazín de discos. Luego, pulse el botón de reposición de la unidad. Si el código "Mecha Error" no desaparece, consulte con el centro de servicio más cercano.		

Especificaciones

Las especificaciones se encuentran sujetas a cambios sin previo aviso.

Sección del sintonizador de FM

- Gama de frecuencias (intervalo 200 kHz)
 - : 87,9 MHz – 107,9 MHz
- Sensibilidad útil (Relación señal/ruido = 30dB)
 - : 9,3dBf (0,8 μ V/75 Ω)
- Sensibilidad de silenciamiento (Relación señal/ruido = 50dB)
 - : 15,2dBf (1,6 μ V/75 Ω)
- Respuesta de frecuencia ($\pm 3,0$ dB)
 - : 30 Hz – 15 kHz
- Relación señal a ruido (MONO)
 - : 70 dB
- Selectividad (± 400 kHz)
 - : ≥ 80 dB
- Separación estéreo (1 kHz)
 - : 40 dB

Sección del sintonizador de AM

- Gama de frecuencias (intervalo 10 kHz)
 - : 530 kHz – 1700 kHz
- Sensibilidad útil (Relación señal/ruido = 20dB)
 - : 28 dB μ (25 μ V)

Sección del disco compacto

- Diode láser
 - : GaAlAs
- Filtro digital (D/A)
 - : 8 veces sobremuestreo
- Convertidor D/A
 - : 1 Bit
- Velocidad de giro
 - : 1000 – 400 rpm (CLV 2 veces)
- Fluctuación y trémolo
 - : Menos del límite medible
- Respuesta de frecuencia (± 1 dB)
 - : 10 Hz – 20 kHz
- Distorsión armónica total (1 kHz)
 - KDC-X579: 0,008 %
 - KDC-MPV525/MPV5025/MP425: 0,01 %
- Relación señal a ruido (1 kHz)
 - KDC-X579: 110 dB
 - KDC-MPV525/MPV5025/MP425: 105 dB
- Gama dinámica
 - : 93 dB
- Separación de canales
 - : 96 dB
- MP3 decodificado
 - : Compatible con MPEG-1/2 Audio Layer-3
- WMA decodificado
 - : Compatible con Windows Media Audio

Sección de audio

- Potencia máxima de salida
 - : 50 W x 4
- Potencia completa de todo el ancho de band (a menos del 1% THD)
 - : 22 W x 4
- Acción tonal
 - Graves : 100 Hz ± 10 dB
 - Registro medio : 1 kHz ± 10 dB
 - Agudos : 10 kHz ± 10 dB
- Nivel de salida del preamplificador/carga (durante la reproducción del disco)
 - : 2000 mV/10 k Ω
- Impedancia de salida de preamplificador
 - : $\leq 600 \Omega$

General

- Tensión de funcionamiento (11 – 16V admisibles)
 - : 14,4 V
- Consumo
 - : 10 A
- Tamaño de instalación (An x Al x F)
 - : 182 x 53 x 155 mm
 - 7-3/16 x 2-1/16 x 6-1/10 pulgada
- Peso
 - : 2,64 lbs (1,20 kg)

KENWOOD

Free Manuals Download Website

<http://myh66.com>

<http://usermanuals.us>

<http://www.somanuals.com>

<http://www.4manuals.cc>

<http://www.manual-lib.com>

<http://www.404manual.com>

<http://www.luxmanual.com>

<http://aubethermostatmanual.com>

Golf course search by state

<http://golfingnear.com>

Email search by domain

<http://emailbydomain.com>

Auto manuals search

<http://auto.somanuals.com>

TV manuals search

<http://tv.somanuals.com>