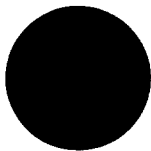


**SEARS**  
customer's  
manual

Model Number  
C459•60416



**IMPORTANT:**  
Read **RULES**  
for Safe  
**OPERATION**  
and  
**INSTRUCTIONS**  
Carefully



**SEARS / CRAFTSMAN**

**16 HP 44"  
LAWN TRACTOR**

- Assembly
- Operating
- Maintenance
- Repair Parts

SEARS CANADA INC., Toronto, Ontario M5B 2B8

# CRAFTSMAN *quality* LAWN CARE equipment

**Congratulations on your purchase of a Sears Lawn Tractor. It has been designed, engineered and manufactured to give you many hours of dependability and performance, if given the proper service and care. To assure maximum safety, follow the recommended ASSEMBLY, OPERATION and MAINTENANCE Instructions. Should you experience any problem you cannot easily remedy, contact your nearest Sears Service Department. They have competent, well-trained technicians and the proper tools and parts to service or repair this unit.**

## FULL TWO YEAR WARRANTY ON CRAFTSMAN TRACTOR

*If this Tractor fails to perform properly due to a defect in material or workmanship within two years from the date of purchase, SEARS will repair it free of charge.*

*If this Tractor is used for commercial or rental purposes this warranty coverage applies for only 90 days from the date of purchase.*

**WARRANTY SERVICE IS AVAILABLE BY CONTACTING THE NEAREST SEARS STORE OR SERVICE CENTER THROUGHOUT CANADA.**

*This warranty is in addition to any statutory warranty.*

SEARS CANADA INC.  
222 JARVIS STREET  
TORONTO, ONTARIO M5B 2B8

## Engine Warranty

From two years from purchase date, Sears Canada Inc., will replace free of charge, any part or parts found, upon examination to be defective under normal use and service, by reason of defects in material and workmanship.

Further warranty on Magnetron Ignition System is extended to 5 years. Conditions as follows:

5 years parts and labour

This warranty is void if the unit has been the subject of misuse.

A modern low cost maintenance agreement is available on this product. To extend the warranty, contact your nearest Sears store.

Compliance with radio interference regulations certified, replace spark plug with resistor spark plug only.

## TABLE OF CONTENTS

WARRANTY .....	2	MAINTENANCE .....	11
CONTROLS .....	3	Oil Change, Air Cleaner,	
PRE-STARTING INSTRUCTIONS .....	4	Fuel Filter, Cutting Blades	
OPERATION .....	5	LUBRICATION .....	13
Starting .....	5	ADJUSTMENT .....	14
Stopping .....	6	OFF SEASON STORAGE .....	19
SAFE OPERATION PRACTICES .....	7	TROUBLE SHOOTING .....	20
ASSEMBLY .....	8	ENGINE REPAIR PARTS .....	22
Battery .....	9	REPAIR PARTS .....	27
Steering Wheel .....	10		
Seat .....	11		

# KNOW YOUR PRODUCT

*THIS OWNERS MANUAL SHOULD BE READ IN ITS ENTIRETY BEFORE OPERATING YOUR UNIT. If you understand the machine and its operation, efficient and peak performance will be achieved. While reading the manual, compare the illustration with your unit to familiarize yourself with the location of various controls and adjustments. Study the operating instructions and safety precautions thoroughly to insure proper functioning of your unit and to prevent injury to yourself and others. Save this manual for future reference.*

## CONTROLS

### THROTTLE CONTROL

The throttle control is used to regulate the engine speed and to activate the choke on the engine. To get maximum efficiency from cutting, the throttle should be in the FAST position when operating the mower. See figure 1.

### GEAR SHIFT LEVER

The gear shift lever is used to shift into "FORWARD", "NEUTRAL" or "REVERSE". See figure 1. The clutch-brake pedal must be depressed and the lawn tractor must not be moving when shifting gears. Do not force the shift lever. Release the clutch-brake pedal slightly to line up the shifting collar in the transmission. Then try to shift gears.

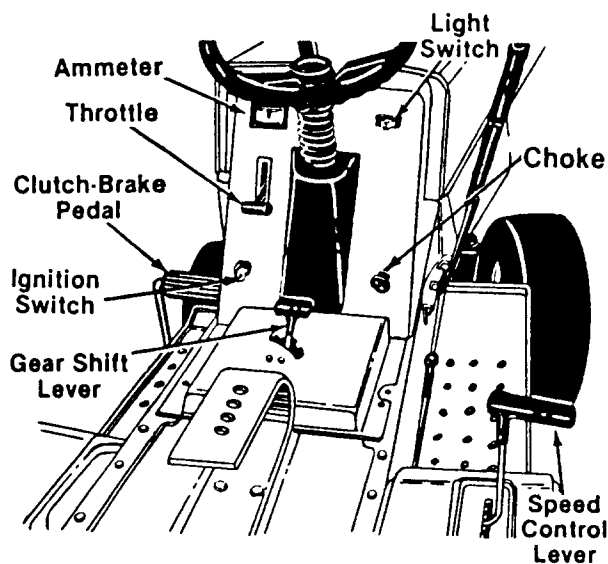


FIGURE 1

### CHOKE CONTROL

The choke control is located on the right side of the dashboard and is operated manually. Pull out choke control. Once engine starts, slowly push in the choke as the engine warms up. See figure 1.

### IGNITION SWITCH

Turn the key to the "START" position to start the engine. When the engine is running, let the key return to the "ON" position. To stop the engine, turn the key to the left to the "OFF" position and remove it to prevent accidental starting. See figure 1.

### SPEED CONTROL LEVER

The speed control lever allows you to regulate the ground speed of the lawn tractor. See figure 1. It may be set in any one of seven positions. To set, depress clutch pedal. Push speed control lever downward and move backward to slow lawn tractor, move forward to increase speed. When desired speed has been obtained, release lever in that position. Whenever clutch is engaged, unit will automatically go to the pre-set speed.

### LIGHT SWITCH

Push the light switch to turn on the lights. The lights will only operate when the engine is running. See figure 1.

### AMMETER

The ammeter registers the rate of battery charge or discharge. The ammeter will register on the discharging side when starting the engine. It should register on the opposite side (charging) when the engine is running in the fast position until the battery is complete charged. With a fully charged battery or with the engine idling, the ammeter will not show a charge. See figure 1.

### CLUTCH-BRAKE PEDAL

The clutch-brake pedal is located on the left side of the lawn tractor. Depressing the clutch-brake pedal part way disengages the clutch. Pressing the pedal all the way down disengages the clutch and engages the disc brake. See figure 1.

#### ➔ NOTE

The clutch-brake pedal must be depressed to start the engine.

### PARKING BRAKE

The speed control lever is used to set the parking brake. To set the parking brake, depress the clutch-brake pedal. Press the speed control lever downward and all the way to the rear of the unit. Lift up on the speed control lever, and release the clutch-brake pedal. To release the parking brake, depress the clutch-brake pedal, press down on the speed control lever and move to desired position. Release the speed control lever and the clutch-brake pedal.

### INCLINE ASSISTANCE BRAKE

When stopping on a hill, hold the incline assistance brake lever back while you release the clutch-brake

pedal until the lawn tractor begins to move, then release the lever. This lever permits smoother starts and clutch engagement by holding the tractor during the brake release/clutch engagement operation. See figure 2.

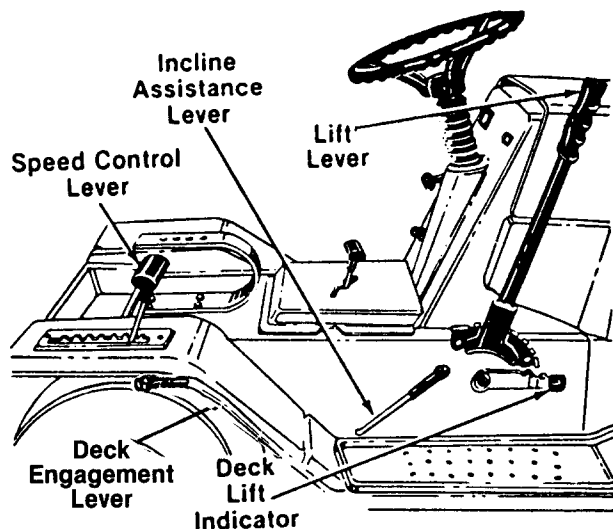


FIGURE 2

**INTERLOCKS (Not Shown)**

Interlock safety switches are located on the clutch-brake pedal, the blade engagement lever and gear shift lever.

Before the engine will start, the clutchbrake pedal must be depressed all the way and the blade engagement lever must be in the disengaged position.

**Before the unit can be shifted into reverse, the blade engagement lever must be in the disengaged position.**

**LIFT LEVER**

The lift lever is located on the right side of the unit. It is used to raise and lower the cutting deck and other attachments. Move the lever to the right, then forward or backward to the desired position and release. See figure 2.

**→ NOTE**

When using the snow thrower attachment, the lift lever is also used to engage and disengage the spirals. See figure 3A and 3B.



FIGURE 3A



FIGURE 3B

**NOTE: BOTH EDGES OF THE LEVER MUST BE IN SLOTS FOR FIRST ENGAGEMENT POSITION.**

**DECK LIFT INDICATOR**

The deck lift indicator marks the position being used for the lift lever. Select the lift lever position desired, press the indicator lever outward, move it to the position immediately below the lift lever and release the indicator lever. See figure 2.

**BLADE ENGAGEMENT LEVER**

The blade engagement lever is located beside the right fender. Move the lever forward to engage the blades. Move it toward the rear of the unit to stop the blades from turning.

The blade engagement lever must be in the disengaged position before the engine can be started.

**WHEEL HEIGHT ADJUSTER**

Move the lever towards the wheel and set it in the desired height. See figure 4.

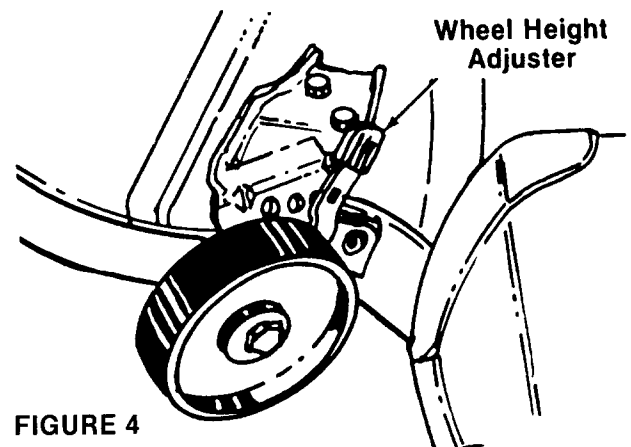


FIGURE 4

1. Select the position for the lift lever which gives the desired cutting height. Move the deck lift indicator so that the lift lever can be returned to the same position after it is raised.
2. Set the wheel height adjusters on the deck so that the wheels are 1/4 to 1/2 inch above the ground.

**→ NOTE**

The adjustment of these wheels on the deck is to prevent scalping when moving on uneven ground. If scalping persists lower these wheels. See figure 4.

**PRE-STARTING INSTRUCTIONS**

**TIRE PRESSURE**

For shipping purposes, the tires on your unit may be over-inflated. Tire pressure should be reduced before unit is put into operation. Recommended operating tire pressure should be 7-15 p.s.i.



- Place the blade engagement lever in the **DISENGAGED** position. See figure 1.

➔ **NOTE**

This unit is equipped with a safety interlock system for your protection. The purpose of the safety interlock system is to prevent the engine from cranking or starting unless the clutch-brake pedal is depressed and the blade engagement lever is in the disengaged position. In addition, the blade engagement lever must be in the disengaged position when the unit is put into reverse or the engine will shut off.



**WARNING**

Do not operate the lawn tractor if the interlock system is malfunctioning because it is a safety device, designed for protection.

- Set the throttle control in the **FAST** position. See figure 1.
- Move choke lever to **CHOKER** position.
- Turn the ignition key to the **START** position. When the engine is running, let the key return to the "ON" position. See figure 1. Once the engine starts gradually move **CHOKER** to the **OFF** position.
- Move the throttle control lever to desired engine speed.

### OPERATING THE CUTTING DECK

- Set the desired cutting height.
- Start the engine in accordance with instructions.
- Move throttle control to  $\frac{3}{4}$  or full throttle to prevent strain on the engine and to operate the cutting blades.
- Place the shift lever in the "FORWARD" or "REVERSE" position.



**CAUTION**

Look to the rear before backing up.

- Release parking-brake by depressing the clutch-brake pedal, pressing down on the speed control lever and moving to desired position.

➔ **NOTE**

Use first speed position when operating the lawn tractor for the first time.

- Release clutch-brake pedal slowly to put unit into motion.

➔ **NOTE**

Do **not** force the gear shift lever!

- The lawn tractor is brought to a stop by depressing the clutch-brake pedal.



**CAUTION**

If the unit is not to be used for a long period, place the gear shift lever in **NEUTRAL**, stop the engine, set the parking brake and remove the key. **DO NOT** leave the machine on an incline.

### OPERATING THE CUTTING BLADES

The cutting blades may be engaged while the lawn tractor is moving or standing still. **DO NOT** engage the cutting blades abruptly as the sudden belt tension on the pulley may cause the engine to stall.

➔ **NOTE**

If the tractor should stall while mowing or using any other attachments, restart and continue in speed at which the engine stalled or a lower speed.

➔ **NOTE**

In tall grass engage blades in highest cutting position then lower to desired cutting height.



**WARNING**

When the blade drive is engaged, keep feet and hands away from the discharge opening, the blades or any part of the deck.

Move the blade engagement lever into the **DISENGAGED** position.

➔ **NOTE**

When the machine is used for other than mowing operations, the blade drive should be disengaged.

### STOPPING THE ENGINE

Turn the ignition key to the left to the "OFF" position. Remove the key to prevent accidental starting.

➔ **NOTE**

A brief break-in period is essential to ensure maximum engine and mower life. The break-in consists of running the engine at half speed for a period of time required to use one tank of gasoline. It is also recommended to change crankcase oil after the first 5 hours of operation.

➔ **IMPORTANT**

If you strike a foreign object, stop the engine. Remove wire from spark plug, thoroughly inspect the unit for any damage, and repair the damage before restarting and operating the cutting deck.

Be sure that the lawn is clear of stones, sticks, wire, or other objects which could damage lawn tractor or engine. For best results and to insure more even grass distribution, do not mow when lawn is excessively wet.



## WARNING

To reduce the potential for any injury, comply with the following safety instructions. Failure to comply with the instructions may result in personal injury.

# SAFE OPERATION PRACTICES FOR RIDING VEHICLES

1. Read this owner's manual carefully in its entirety before attempting to assemble or operate this unit. Keep this manual in a safe place for future and regular reference and for ordering replacement parts.
2. This unit is a precision piece of power equipment, not a plaything. Therefore exercise extreme caution at all times.
3. Know the controls and how to stop quickly — **READ THIS OWNER'S MANUAL.**
4. Do not allow children to operate vehicle. Do not allow adults to operate it without proper instruction. Only persons well acquainted with these rules of safe operation should be allowed to use your mower.
5. No one should operate this unit while intoxicated or while taking medication that impairs the senses or reactions.
6. Wear sturdy, rough-soled work shoes and close-fitting slacks and shirts to avoid entanglement in the moving parts. Never operate a unit in bare feet, sandals or sneakers.
7. To prevent injury, do not carry passengers or give rides. Keep children, pets and bystanders out of the area while mowing. Only the operator should ride on the unit and only ride in the seat.
8. Check overhead clearance carefully before driving under power lines, guy wires, bridges or low hanging tree branches, before entering or leaving buildings, or in any other situation where the operator may be struck or pulled from the unit, which could result in serious injury.
9. To maintain control of the unit and reduce the possibility of upset or collision, operate the tractor smoothly. Avoid erratic operation and excessive speed.
10. Keep the area of operation clear of all persons, particularly small children and pets. Stop engine when they are in the vicinity of your mower. Although the area of operation should be completely cleared of foreign objects, a small object may have been overlooked and could be accidentally thrown by the mower in any direction and cause injury.
11. Clear work area of objects which might be picked up and thrown by the mower in any direction and cause injury.
12. Stop the blade(s) when crossing gravel drives, walks or roads.
13. Disengage all attachment clutches and shift into neutral before attempting to start engine.
14. Disengage power to attachment(s) and stop engine before leaving operating position.
15. Do not put hands or feet near or under rotating parts. Keep clear of the discharge opening at all times as the rotating blade(s) can cause injury.
16. Disengage power to attachment(s) and stop engine before making any repairs or adjustments. Disconnect the spark plug wire and keep the wire away from the plug to prevent accidental starting.
17. Before attempting to unclog the mower or discharge chute, stop the engine. The mower blade(s) may continue to rotate for a few seconds after the engine is shut off. Therefore, be sure the blade(s) have stopped completely. Disconnect the spark plug wire and keep the wire away from the plug to prevent accidental starting.
18. Disengage power to attachment(s) when transporting or not in use.
19. Take all possible precautions when leaving vehicle unattended such as disengaging power-take-off, lowering attachments, shifting into neutral, setting parking brake, stopping engine and removing key.
20. Do not stop or start suddenly when going uphill or downhill. Mow up and down face of steep slopes; never across the face. Use extreme caution if it is necessary to drive the tractor up an incline or back the tractor down an incline because the front of the tractor could lift and rapidly flip over backward which could cause serious injury.
21. Reduce speed on slopes and in sharp turns to prevent tipping or loss of control. Always keep the tractor in gear when going down steep hills to take advantage of engine braking action.
22. Stay alert for holes in terrain and other hidden hazards.
23. Use care when pulling loads or using heavy equipment.
  - A. Use only approved drawbar hitch points.
  - B. Limit loads to those you can safely control.
  - C. Do not turn sharply. Use care when backing.
  - D. Use counterweight(s) or wheel weights when suggested in owner's manual.
24. Watch out for traffic when crossing or near roadways.
25. When using any attachments, never direct discharge of material toward bystanders nor allow anyone near vehicle while in operation.
26. Handle gasoline with care. It is highly flammable.

- A. Use approved gasoline container.
  - B. Never remove cap or add gasoline to a running or hot engine or fill fuel tank indoors. Wipe up spilled gasoline.
  - C. Open doors if engine is run in garage. Exhaust fumes are dangerous. Do not run engine indoors.
27. Keep the vehicle and attachments in good operating condition, and keep safety devices in place. Use guards as instructed in operator's manual.
  28. Keep all nuts, bolts and screws tight to be sure the equipment is in safe working condition.
  29. Never store the equipment with gasoline in the tank inside a building where fumes may reach an open flame or spark. Allow engine to cool before storing in any enclosure.
  30. To reduce fire hazard, keep engine free of grass, leaves or excessive grease.
  31. The vehicle and attachments should be stopped and inspected for damage after striking a foreign object. The damage should be repaired before restarting and operating the equipment.

32. Do not change the engine governor settings or overspeed the engine.
33. When using the vehicle with mower proceed as follows:
  - (1) Mow only in daylight or in good artificial light.
  - (2) Never make a cutting height adjustment while engine is running if operator must dismount to do so.
  - (3) Shut the engine off and wait until the blade comes to a complete stop before removing the grass catcher.
  - (4) Check blade mounting bolts for proper tightness at frequent intervals.
34. Look behind to make sure the area is clear before placing the transmission in reverse and continue looking behind while backing up. Disengage blades before shifting into reverse and backing up.
35. This unit should not be driven up a ramp onto a trailer or truck under power, because the unit could tip over, causing serious personal injury. The unit must be pushed manually to load properly.

## MOWING HINTS

1. After starting the engine, let it warm up for several minutes. This will ensure better performance and longer engine life.
2. For your initial cutting, try your new mower on level areas until you become familiar with the unit. Cut long, straight strips overlapping slightly on the previously cut strip.
3. When mowing on an incline, always mow up or down the incline. Exercise extreme care at all times and avoid abrupt turns or manoeuvres. Use only the low ground speed transmission setting.
4. To cut wet, thick or lush grass select a cutting pattern that will discharge the grass into the cut area. Also, discharge the grass away from posts, trees and other obstructions.

### ➔ NOTE

DO NOT DISCHARGE GRASS INTO GRASS THAT HAS NOT YET BEEN CUT!

5. When the mower is having difficulty cutting thick grass resulting in a semi-cut effect, disengage the blades and move the mower to a cut area before attempting to engage the blades. For extremely heavy cutting conditions adjust the cutting height to the highest position, use the slowest ground speed and have the throttle in "Fast" or "Full" position. It may be necessary to reduce the width of cut to  $\frac{1}{2}$  or  $\frac{3}{4}$  of the full cut by overlapping the cut.
6. If you cut a thick lush lawn too short, it may die. If the mower is set too low the housing may drag on the grass and block the discharge effect of the

cutting blade. New grass if possible should be cut in the afternoon, when it is dry.

7. Maintain a sharp cutting edge on the blade to assure a good clean cut. A dull blade will result in splitting or bruising the grass ends, and rapid browning of freshly cut areas.
8. The selection of the most satisfactory mowing pattern will be governed by several factors. It is advisable, however, to vary your pattern frequently and mow in a different direction. This will help eliminate matting, graining and corrugating and enhance the overall appearance of your lawn.

## ASSEMBLY

### ➔ NOTE

Reference to right hand or left hand side of machine is from the driver's seat facing forward.

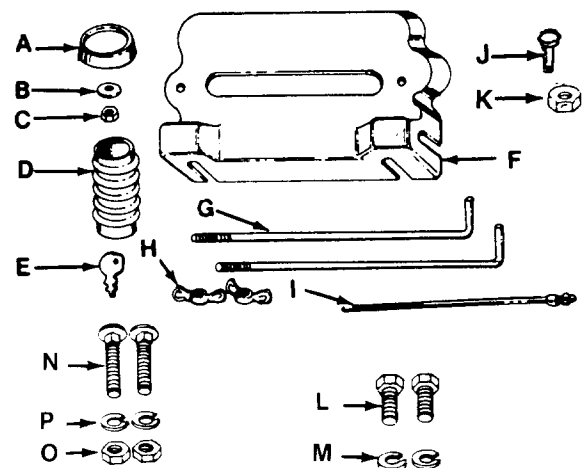


FIGURE 7



**Contents of Hardware Pack:  
Assembly of Lawn Tractor (See Figure 7)**

- A (1) Steering Wheel Cap
- B (1) Belleville Washer
- C (1) Hex Nut  $\frac{5}{16}$ -18 Thread
- D (1) Steering Bellow
- E (2) Ignition Keys
- F (1) Battery Cover
- G (2) Battery Hold Down Rods
- H (2) Wing Nuts
- I (1) Cable Tie
- J (1) Hex Screw
- K (1) Hex Locknut
- L (2) Hex Bolts
- M (2) Lock Washers
- N (2) Carriage Bolts  $\frac{1}{4}$ -20
- O (2) Hex Nuts  $\frac{1}{4}$ -20
- P (2) Lock Washers  $\frac{1}{4}$ "

**Loose Parts in Carton:**

- (1) Battery Pack
- (1) Steering Wheel
- (1) Seat

**BATTERY INFORMATION**



**WARNING**

- A. Battery acid must be handled with great care as contact with it can burn and blister the skin. It is also advisable to wear protective clothing (goggles, rubber gloves and apron) when working with it.
- B. Should battery acid accidentally splatter into the eyes or onto the face, rinse the affected area immediately with clean cold water. If there is any further discomfort, seek prompt medical attention.
- C. If acid spills on clothing, first dilute it with clean water, then neutralize with a solution of ammonia/water or baking soda/water.
- D. Since battery acid is corrosive, do not pour it into any sink or drain. Before discarding empty electrolyte containers, rinse them with a neutralizing solution.
- E. NEVER connect or disconnect charger clips to battery while charger is turned on as it can cause sparks.
- F. Keep all lighted materials (cigarettes, matches, lighters) away from the battery as the hydrogen gas generated during charging can be combustible.
- G. As a further precaution, only charge the battery in a well-ventilated area.

**\*Always shield eyes, protect skin and clothing when working near batteries.**



**WARNING**

Battery contains sulfuric acid. Refer to warning on page 4. Antidote EXTERNAL – Flush with water. INTERNAL – Drink large quantities of water or milk. Follow with milk of magnesia, beaten egg or vegetable oil. Seek prompt medical attention. EYES: Flush with cool water for at least 15 minutes, then seek immediate medical attention.

Since batteries produce explosive gases, keep all lighted materials (cigarettes, lighters, matches, etc.) away. Be sure to charge battery only in well-ventilated areas.

**KEEP BATTERIES  
OUT OF THE REACH OF CHILDREN!**

**ACTIVATING THE BATTERY**

1. Place the battery to be filled on a workbench. Never activate a battery in the unit.
2. Slip one end of battery drain tube on the battery manifold.
3. Remove the fill caps from all cells.
4. Fill each cell carefully using 1.265 specific gravity electrolyte. Fill each cell to the top of the separators. Do not overfill.
5. Let the battery sit for 20 minutes to allow the chemical reaction to take place.
6. Charge the battery at a MAXIMUM RATE OF 5 AMPS until the specific gravity reads 1.265. Use a hydrometer to check the specific gravity.



**CAUTION**

- An excessive rate of charge will damage the battery.
7. Check the level of electrolyte. Adjust level to bottom of split ring if necessary with electrolyte.
  8. Replace fill caps.

**➡ NOTE**

Charging rate after battery has been put into operation: The battery is to be charged for a period of 14-16 hours. NO LONGER THAN 30 HOURS.



**CAUTION**

After battery has been in service, add only distilled water. DO NOT ADD ACID.

**➡ NOTE**

This engine is equipped with a dual circuit alternator. The current for the battery charger alternator is unregulated and is rated at 3 amperes at 3600 r.p.m. During normal operation, it is only necessary to charge the battery:

1. When it is activated for the first time.
2. Before winter storage.
3. Before using the lawn tractor after winter storage.

## INSTALLING THE BATTERY

1. Open the hood of the lawn tractor by lifting up on both sides of the hood.
2. Place the battery in the lawn tractor so that the positive terminal is facing the right side of the unit. See figure 8.

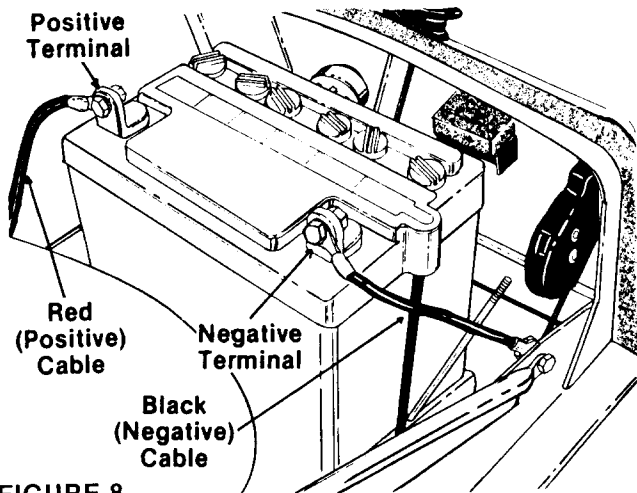


FIGURE 8

### → NOTE

Right and left hand sides of the unit are determined by sitting on the seat in the operating position, facing forward.

3. Place the positive (heavy red) cable on the positive terminal. Secure with carriage bolt (N), lockwasher (P) and hex nut (O).
4. Place the negative (heavy black) cable on the negative terminal. Secure with carriage bolt (N), lockwasher (P) and hex nut (O).
5. Hook one hold down rod (G) into the edge of the battery bracket beside the battery. See figure 8. Place the battery cover (F) in position over the hold down rod. Secure with wing nut (H). Attach other hold down rod to the other side of battery cover in the same manner. See figure 9.

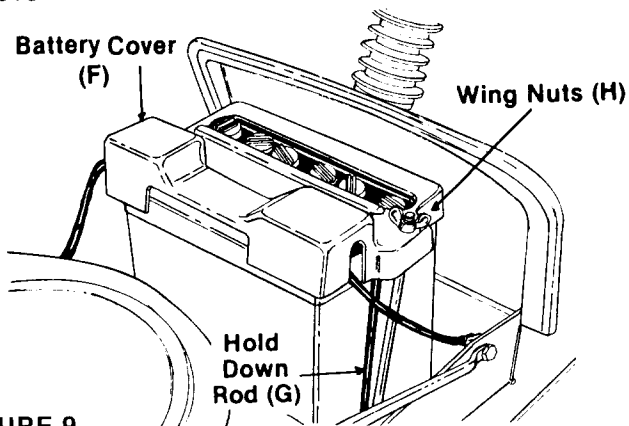


FIGURE 9

6. Route the battery drain tube down through the hole in the frame, then forward to the brake cable bracket. See figure 10.
7. Secure drain tube to brake cable bracket with cable tie (H) as shown in figure 10. Cut off excess end of cable tie.

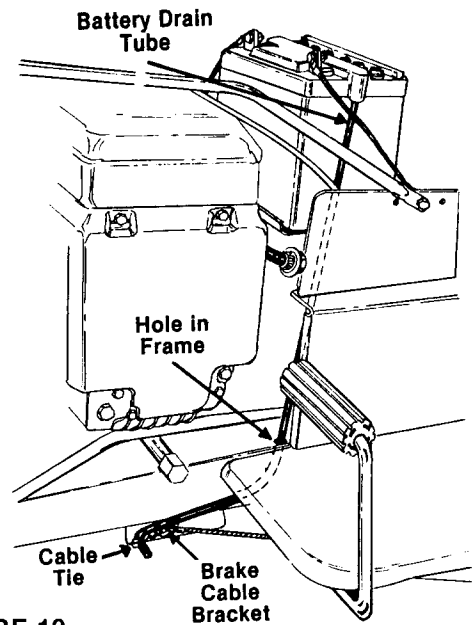


FIGURE 10

## STEERING WHEEL INSTALLATION

1. For shipping purposes, the upper steering shaft is pushed all the way down over the lower steering shaft. Pull the upper steering shaft up. The three holes in the shaft provide three steering wheel heights. Select desired hole and secure with hex screw (J) and hex nut (K).

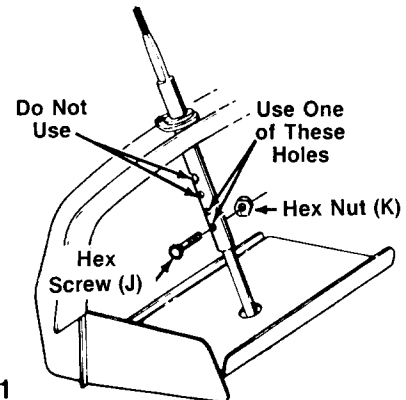


FIGURE 11

2. Attach steering bellow (D) to the steering wheel as shown in figure 12.

### → NOTE

One end of the steering bellow is slightly larger than the other. The larger end must be assembled to the steering wheel.

3. Make certain the front wheels of the lawn tractor are pointing straight.
4. Place steering wheel in position desired, and attach steering wheel and bellow to the steering shaft.

### → NOTE

On units which have flats on the steering wheel and shaft, line up the flats in the wheel with the flats on the shaft.

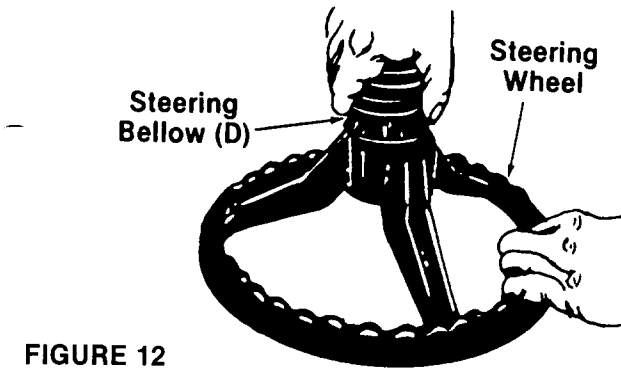


FIGURE 12

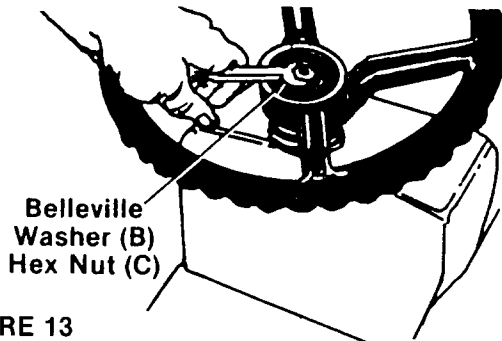


FIGURE 13

5. Secure with Belleville washer (B) (cupped side against the steering wheel) and hex nut (C). See figure 13.
6. Press the steering wheel cap (A) on the steering wheel by hand.

### SEAT INSTALLATION

The seat may be adjusted to two different positions. Select desired position and secure to seat spring with two hex bolts and lock washers. See figure 14.

YOUR UNIT IS EQUIPPED WITH A SAFETY SWITCH IN THE SEAT. AFTER ASSEMBLING THE SEAT, THE SEAT SWITCH MUST BE CONNECTED AS INSTRUCTED BELOW. IF THE OPERATOR LEAVES THE SEAT WITH THE BLADES OR PTO ENGAGED, THE ENGINE WILL SHUT OFF.

Plug the wire lead which is protruding through the frame beneath the seat into the plug on the wire lead extending from the right hand side of the seat.



### WARNING

This switch is a device, designed for your protection. Never attempt to bypass its operation.

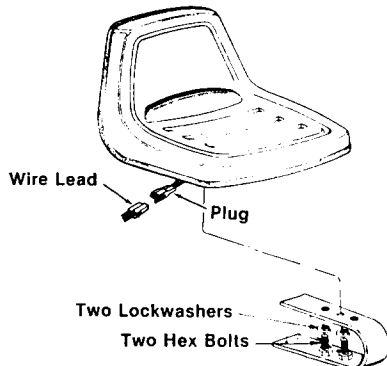


FIGURE 14

# MAINTENANCE

## MAINTENANCE AGREEMENT

THE SEARS WARRANTY PLUS A MAINTENANCE AGREEMENT PROVIDE MAXIMUM VALUE FOR SEARS PRODUCTS. CONTACT YOUR NEAREST SEARS STORE FOR DETAILS.

## CRANKCASE OIL

To ensure maximum engine performance, perform the following periodic maintenance:

### Oil Check

Check the oil level in the crankcase before each use of the machine and after every five hours of operation.

After the first five hours of operating a new engine, drain the oil (See fig. 15) from the crankcase while engine is still hot and refill crankcase with new oil; thereafter change the oil every 25 hours of operation. This procedure ensures minimum wear of engine parts and provides virtually trouble-free operation. To change the oil, proceed as follows:

- Step 1. With the machine on level ground place a suitable metal container under the oil drain plug, then remove the drain plug. See fig. 15.

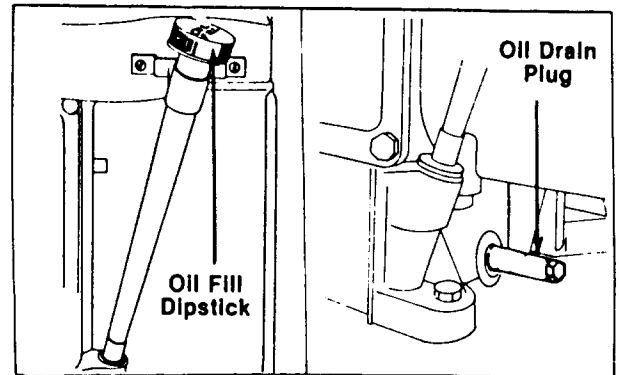


FIGURE 15

- Step 2. After the oil has been drained completely from the crankcase, replace the drain plug and tighten.

- Step 3. Refill crankcase with oil. See page 5 for quantity and type of oil.

## FUEL FILTER

Your unit is equipped with a replaceable in-line fuel filter. Replace filter whenever contamination or discoloration is noticed. Order replacement through your nearest SEARS Dealer.

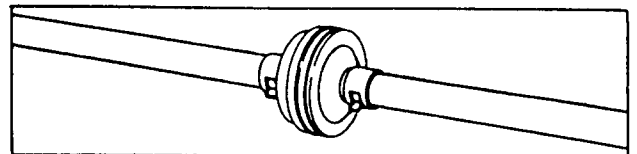


FIGURE 16

## AIR CLEANER

Clean and re-oil foam pre-cleaner at three month intervals or every 25 hours, whichever occurs first.

### NOTE

Service air cleaner more often under dusty conditions.

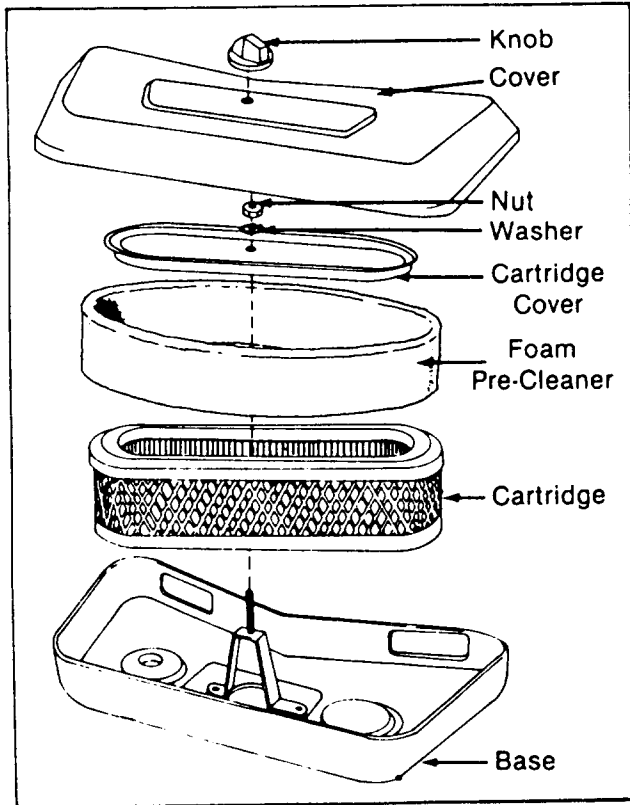


FIGURE 17

1. Remove knob and cover.
2. Remove foam pre-cleaner by sliding it off the paper cartridge.
3. a. Wash foam pre-cleaner in kerosene or liquid detergent and water.  
b. Wrap foam pre-cleaner in cloth and squeeze dry.  
c. Saturate foam pre-cleaner in engine oil. Squeeze to remove excess oil.
4. Clean cartridge by tapping gently on flat surface. If very dirty replace cartridge.
5. Install foam pre-cleaner over paper cartridge. Reassemble cover and screw down tight.

## CLEAN COOLING SYSTEM

Grass, chaff or dirt may clog the rotating screen and the air cooling system, especially after prolonged service in cutting tall dry grasses. Yearly or every 100 hours, whichever occurs first, remove the blower housing and clean the areas shown to avoid overspeeding, overheating and engine damage. Clean more often if necessary.

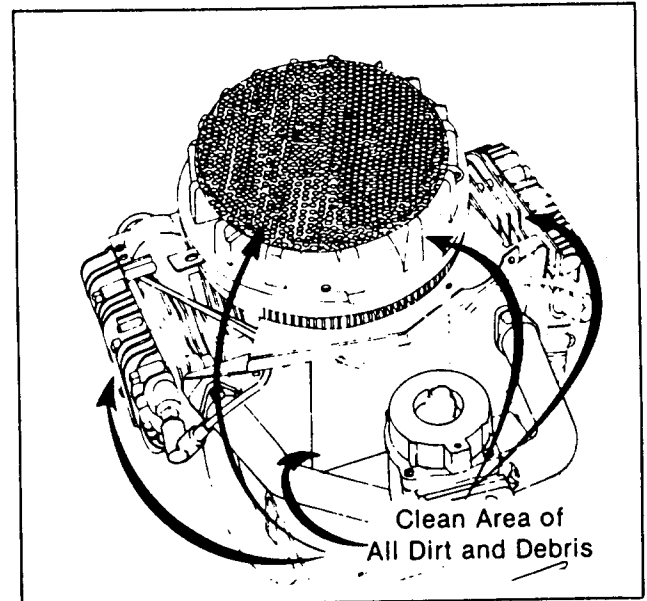


FIGURE 18  
SPARK PLUG

The spark plug gap should be cleaned and reset to a 0.030 inch clearance once a season (see figure 19). A  $\frac{3}{4}$ " deep socket wrench is required to remove spark plug.

Spark plug replacement is recommended at the start of each mowing season; check engine parts list for correct plug type.

### NOTE

Whenever the spark plug is removed for cleaning, it is advisable to replace the spark plug gasket with a new gasket.

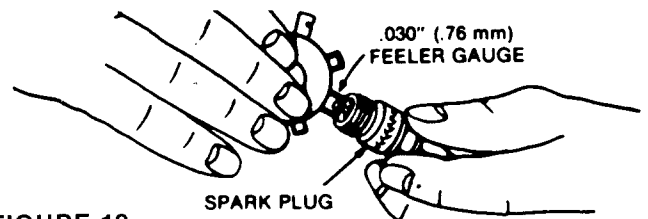


FIGURE 19

### NOTE

Your engine is equipped with a resistor SPARK PLUG, when replacing plug also use resistor type.

## CUTTING BLADE

### A. Removal for Sharpening or Replacement



### WARNING

Be sure to disconnect and ground the spark plug wire and remove ignition key before working on the cutting blade to prevent accidental starting.

1. Remove the large bolt and lock washer which holds the blade and adapter to the blade spindle.
2. Remove the blade and adapter from the spindle. Be careful not to lose the key on the spindle.

- If the blade or blade adapter needs replacing, remove the two small bolts, lock washers and nuts which hold the blade to the adapter.

### B. Sharpening

Remove the cutting blade by following the directions of the preceding section.

When sharpening the blade, follow the original angle of grind as a guide. It is **extremely important** that each cutting edge receives an equal amount of grinding to prevent an unbalanced blade. An unbalanced blade will cause excessive vibration when rotating at high speeds, may cause damage to the mower and could break, causing personal injury.

The blade can be tested for balance by balancing it on a round shaft screwdriver. Remove metal from the heavy side until it balances evenly.

#### ➔ NOTE

It is recommended that the blade always be removed from the adapter for the best test of balance.

### C. Reassembly

Before reassembling the blade and the blade adapter to the unit, lubricate the spindle and the inner surface of the blade adapter with light oil. Lubricating the bolt holes, bolts and inner surface of the nuts with light oil is also recommended. Engine oil may also be used.

When replacing the blade, be sure to install the blade with the side of the blade marked "Bottom" (or with part number) facing the ground when the mower is in the operating position. Make certain key is in place on the blade spindle.

#### Blade Mounting Torque

$\frac{3}{8}$ " Dia. bolt 375 in. lb. min., 450 in. lb. max.  $\frac{5}{16}$ " Dia. Bolt 150 in. lb. min., 250 in., lb. max.

To insure safe operation of your unit, ALL nuts and bolts must be checked periodically for correct tightness.

### BATTERY MAINTENANCE

- Check periodically (every two weeks or before and after charging) to be sure electrolyte level is above the lowest line on battery. Add only distilled water or a good quality drinking water. NEVER add additional acid or other chemicals to battery after initial activation.
- The battery should be checked with a hydrometer after every 25 hours of operation. If the specific gravity is less than 1.225, remove battery and recharge. A fully charged battery should be 1.260.
- Coat the terminals and exposed wiring with a thin coat of grease or petroleum jelly for longer service and protection against electrolyte corrosion.

- The battery should be kept clean. Any deposits of acid should be neutralized with soda and water. Be careful not to get this solution in the cells.

### COMMON CAUSES FOR BATTERY FAILURE ARE:

- Overcharging
- Undercharging
- Lack of water
- Loose hold downs and/or corroded connections
- Excessive loads
- Freezing of electrolyte

#### ➔ NOTE

THESE FAILURES DO NOT CONSTITUTE WARRANTY.

### INSTALLATION OF TIRE TO RIM



#### WARNING

The following procedure must be followed when removing or installing a tire to the rim.

- Lubricate the tire beads and rim flanges.
- Do not exceed 30 p.s.i. when seating beads.
- Adjust to recommended pressure after beads are sealed.

## LUBRICATION

### STEERING GEARS

Lubricate teeth of steering gears with automotive multi-purpose grease after every 25 hours of operation or once a season. See figure 20.

#### ➔ IMPORTANT

Always stop engine and disconnect spark plug wires before cleaning, lubricating or doing any kind of work on lawn mower.

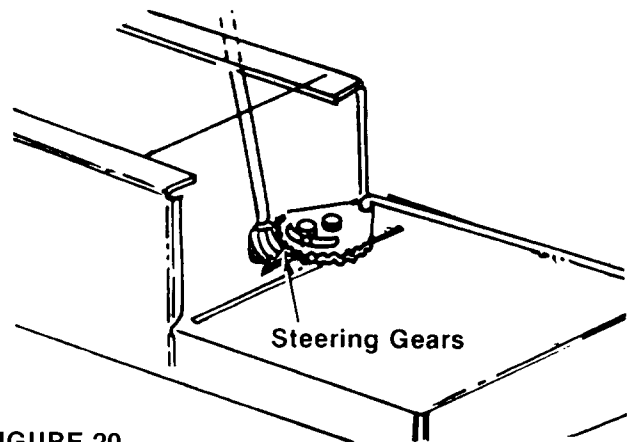


FIGURE 20

### STEERING SHAFT

Lubricate steering shaft at least once a season with light oil.

## TRANSMATIC

The transaxle is lubricated and sealed at the factory and does not require checking. If disassembled for any reason, lubricate with 10 oz. of grease which can be obtained from your Sears Service Department.

## PIVOT POINTS

Lubricate all pivot points with light oil at least once a season.

# ADJUSTMENTS

## SEAT ADJUSTMENT

The seat may be adjusted to one of two positions. Refer to seat installation section of assembly instructions, Figure 14.

## STEERING WHEEL ADJUSTMENT

There are three height positions for the steering wheel. To adjust the height of the steering wheel, remove the hairpin cotter and clevis pin on the steering shaft. Place the steering wheel in the position desired and secure with hairpin cotter and clevis pin. See figure 11.

## WHEEL ADJUSTMENT

The caster (forward slant of the king pin) and the camber (tilt of the wheels out at the top) require no adjustment. Automotive steering principles have been used to determine the caster and camber on the tractor. The front wheels should toe-in  $\frac{1}{8}$  inch.

To adjust the toe-in, follow these steps:

1. Remove the hex nut and lock washer, and drop the tie rod end from the wheel bracket. See figure 21.

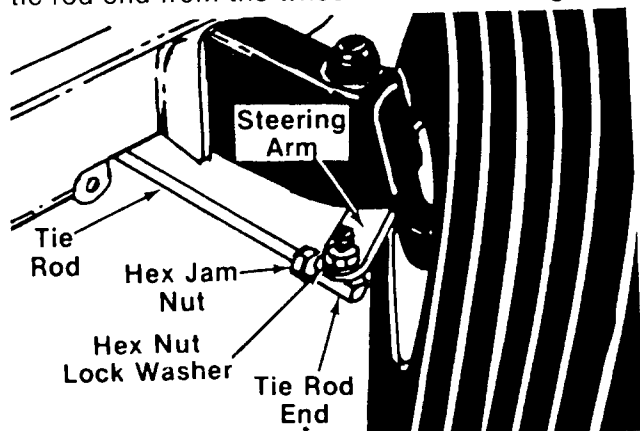


FIGURE 21

2. Loosen the hex jam nut on tie rod.
3. Adjust the tie rod assembly for correct toe-in. Dimension "B" should be approximately  $\frac{1}{8}$ " less than Dimension "A". See figure 22.

- A.) To increase Dimension "B", unscrew tie rod into tie rod end.
- B.) To decrease Dimension "B", unscrew tie rod from tie rod end.

C.) Reassemble tie rod. Check dimensions. Readjust if necessary.

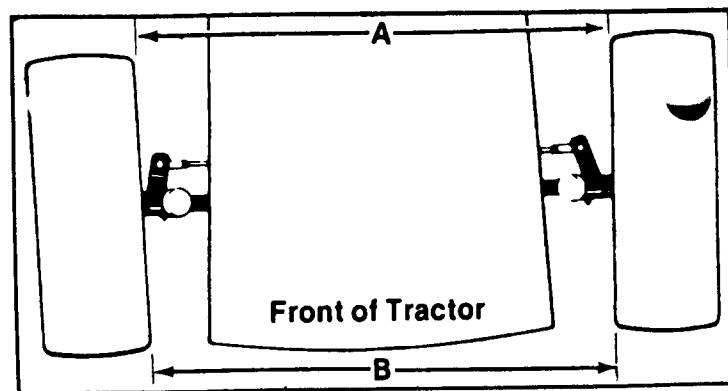


FIGURE 22. TOE-IN DIAGRAM

## SPEED CONTROL ADJUSTMENT (See figure 23)

First, adjust the speed control lever by pushing the clutch-brake pedal forward until the stop on the speed control rod is against the running board rod. See figure 23. Have another person hold the pedal in this position as you make the following adjustment. Place the speed control lever in parking brake position. Remove the hairpin cotter and flat washer, and adjust the ferrule on the rod so it is against the back end of the slot. See figure 23. Replace the flat washer and hairpin cotter.

Next, adjust the speed control link as follows to obtain the correct neutral adjustment.

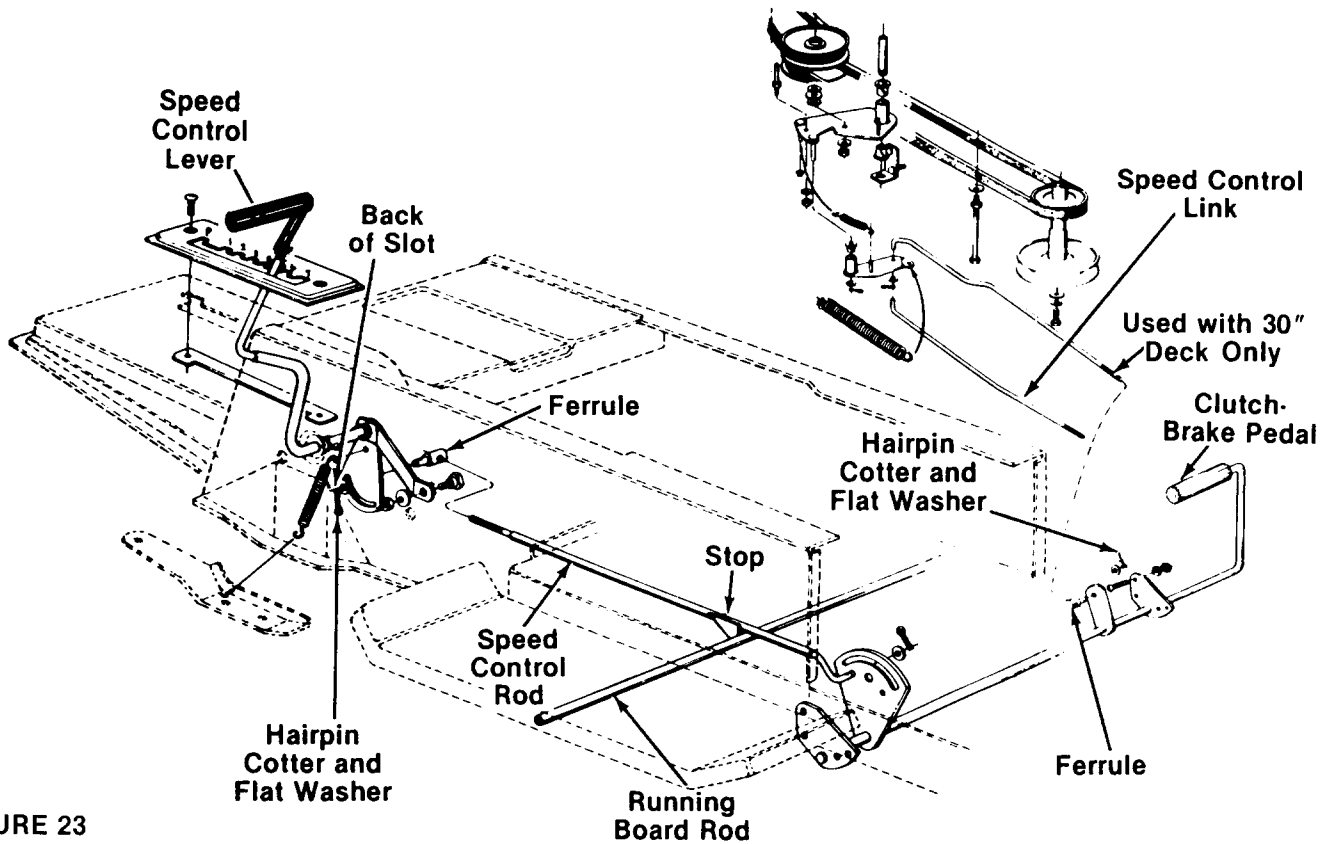
1. Start the engine.
2. Place the shift lever in Neutral position.
3. Place the speed control lever in high speed position.
4. Release the clutch-brake pedal completely, then slowly depress the pedal all the way (to park position). Hold the pedal in this position.
5. Turn the engine off.
6. After engine stops completely, release the clutch-brake pedal.
7. Place speed control lever in second position.
8. Remove the hairpin cotter and flat washer from the ferrule on the speed control link.
9. Push the clutch-brake pedal backward by hand as far as it will go using light pressure and hold it in this position as you adjust the ferrule on speed control link to line up with the hold in clutch-brake pedal.
10. Secure with flat washer and hairpin cotter.

## CARBURETOR ADJUSTMENT



### WARNING

If any adjustments are made to the engine while the engine is running (e.g. carburetor), disengage all clutches and blades. Keep clear of all moving parts. Be careful of heated surfaces and muffler.



**FIGURE 23**

Minor carburetor adjustment may be required to compensate for differences in fuel, temperature, altitude and load.

**→ NOTE**

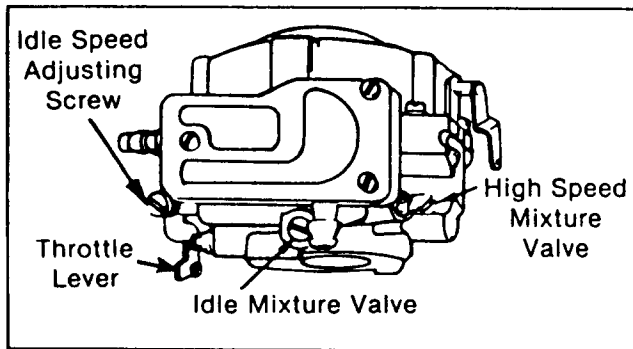
The air cleaner must be assembled to carburetor when running engine.

THE TWIN CYLINDER ENGINE CARBURETOR FUEL MIXTURE ADJUSTMENT PROCEDURE IS UNIQUE. ADJUST CARBURETOR FUEL MIXTURE IN THE ORDER STATED AS FOLLOWS:

Gently turn the high speed mixture valve clockwise until it **just** closes.

**⚠ CAUTION**

Valves may be damaged by turning them in too far. Open needle valve 1½ turns counterclockwise.



**FIGURE 24**

Start engine and place equipment speed control lever in idle position. Hold carburetor throttle lever

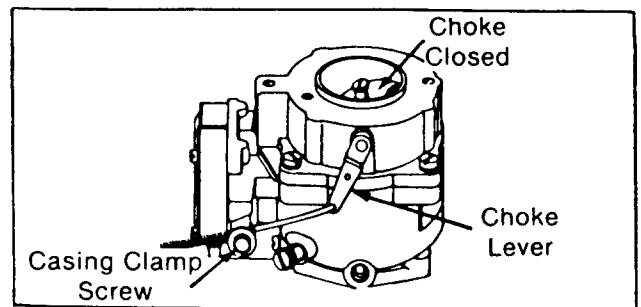
against idle stop and adjust idle speed screw to obtain 1200 to 1400 RPM. Turn idle mixture valve slowly clockwise (lean mixture) until speed starts to slow. Then turn idle mixture valve ½ turn counterclockwise.

Now adjust idle speed screw to obtain: 900 to 1200 RPM. Release throttle lever.

**Note:** Engines operated at altitudes of 5000 feet or higher, may require the installation of a high altitude carburetor jet to achieve best engine performance. If erratic performance or lack of power is observed, select the fixed jet part number required for your engine as follows. An engine which operates at 1800 RPM requires a fixed jet, part number 231338. All others require the fixed jet, part number 231333. They may be ordered through your nearest Briggs & Stratton Service Dealer.

**CONTROL ADJUSTMENTS**

Proper choke and speed control operation is dependent upon proper adjustment of remote controls on the powered equipment.



**FIGURE 25**

## TO CHECK OPERATION OF CHOKE CONTROLS

Move remote control lever to "choke" position. The carburetor choke should be closed.

## TO ADJUST CHOKE:

Place remote control lever on equipment in "CHOKE" POSITION. Loosen control casing clamp screw. Move control casing and wire until choke is completely closed. Tighten casing clamp screw.

## GOVERNOR SPEED CONTROL ADJUSTMENTS

The acceptable operating speed range is 1800 to 3600 RPM. Idle speed is 1750 RPM. The manufacturer of the equipment on which the engine is used, specifies the top governed no load speed at which the engine may be operated. DO NOT EXCEED this speed.

Engine speed is controlled by movement of the control lever. Move control lever on equipment "A" to the slowest engine speed possible. Throttle lever on carburetor should touch idle speed adjusting screw. To adjust, loosen control casing clamp screw "B". Move control casing and wire in direction shown by arrow until throttle lever touches idle speed adjusting screw on carburetor. Retighten casing clamp screw "B".



## CAUTION

Throttle lever on carburetor MUST touch idle speed adjusting screw when equipment control lever is in slowest position.

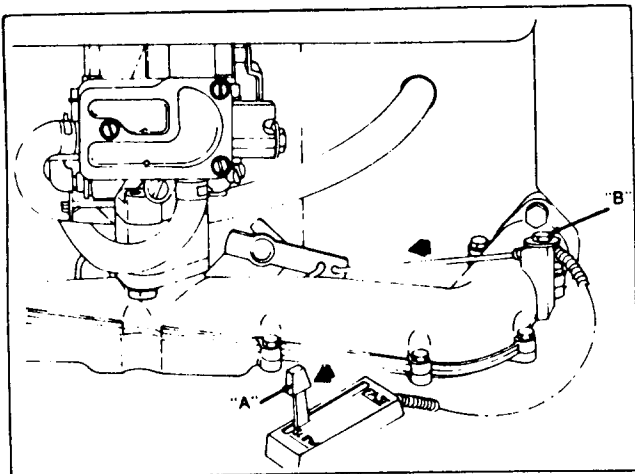


FIGURE 26

## BRAKE ADJUSTMENT

The brake is located by the right rear wheel inside the frame. During normal operation of this machine, the brake is subject to wear and will require periodic examination and adjustment.



## CAUTION

Do not have the engine running when you adjust the brake.

To adjust the brake, remove the cotter pin. Adjust the castle nut so the brake starts to engage when the brake lever is  $\frac{1}{4}$ " to  $\frac{5}{16}$ " away from the axle housing.

## NOTE

Figure 27 is shown with the unit tipped up on rear wheels for clarity only.

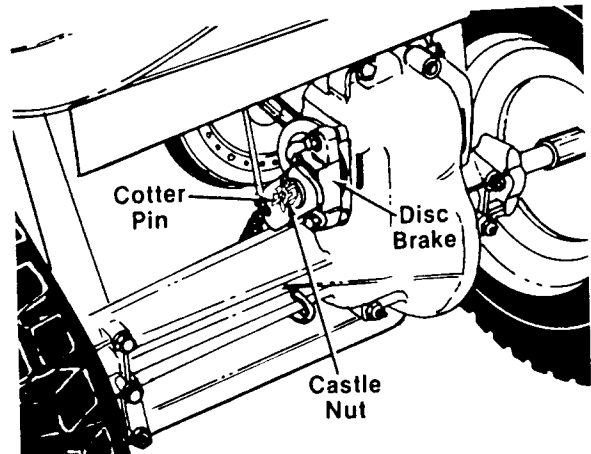


FIGURE 27

## DECK ADJUSTMENT LINK

If an uneven cut is obtained, the deck may be adjusted. An adjustable lift link assembly is located on the left side of the unit. Refer to Ref. Nos. 20, 21 and 22 on page 34.

To adjust the deck, loosen the two hex nuts on the adjustable link lift assembly. Thread the hex nuts up or down the adjustable link lift assembly as necessary. Retighten the hex nuts.

## DECK BLADE BRAKE ADJUSTMENT

## NOTE

Make certain the engine is OFF.

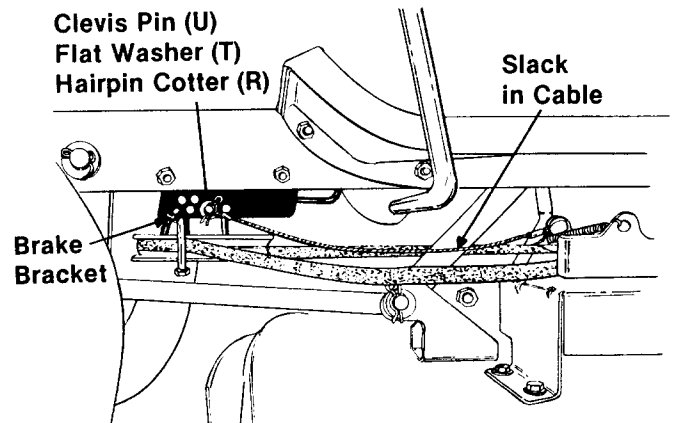


FIGURE 28

1. Place the deck engagement lever in the disengaged position.
2. Pull the cable toward the front of the tractor and line it up with a hole in the brake bracket. Attach to the bracket with clevis pin (U), flat washer (T)



and hairpin cotter (R). There should be some slack in the cable as shown in figure 28.

- Place the deck engagement lever in the engaged position. The brake cable should now be straight, and the brake pad should be pulled approximately  $\frac{3}{16}$ " away from the deck pulley groove.

## BELT REMOVAL AND REPLACEMENT

### DRIVE BELT REMOVAL AND REPLACEMENT



#### CAUTION

Do not use an off-the-shelf belt. If belt replacement is required, order belt or belts by part number from your nearest authorized dealer.

#### NOTE

Figures 29 through 33 are shown with the unit tipped up for clarity. It is not necessary to tip the unit to remove the belts.

### REAR BELT DRIVE

- Remove the two truss head screws which secure the transmission cover.

#### NOTE

The transmission cover on your unit may be secured with  $\frac{1}{4}$  turn studs. Push down and turn the studs one-quarter turn to remove the cover.

- Remove transmission cover. Unplug the green safety wire from beneath the transmission cover.
- Push the idler pulley toward the right side of the unit. Lift the belt over the idler pulley. See figure 29.
- Remove the belt from the transmission pulley.
- Remove the two bolts which hold the shift lever bracket to the frame on the left side of the unit. Swing the bracket toward the right so that the belt can be removed from the idler pulley. See figure 29.
- Lift belt out through transmission cover hole over shift lever.
- Replace belt, and reassemble in reverse order.

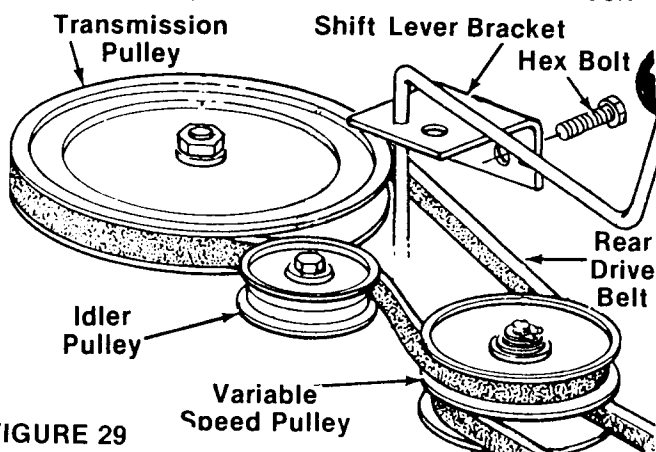


FIGURE 29

### FRONT DRIVE BELT

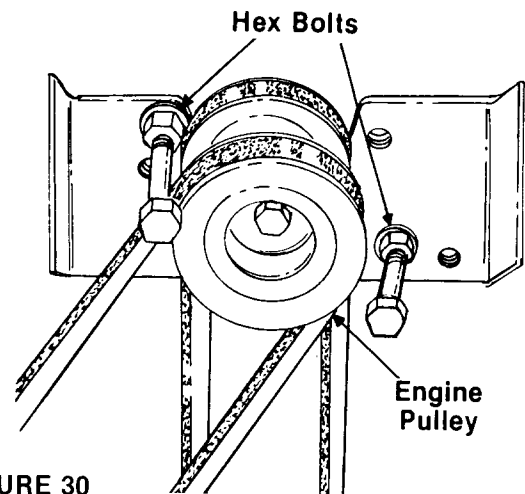


FIGURE 30

- To remove the front drive belt, first remove the rear drive belt from the idler pulley and variable speed pulley.
- Place the lift lever in the disengaged position.
- Remove the two hex bolts (belt keepers) from the engine pulley belt guard. (See figure 30).

#### NOTE

Make certain hex bolts are reassembled as shown in figure 30.

- Unhook the deck belt from the engine pulley.
- Remove the two bolts, lock washers and nuts on each side of the frame which hold the engine pulley belt guard to the frame. See figure 31.

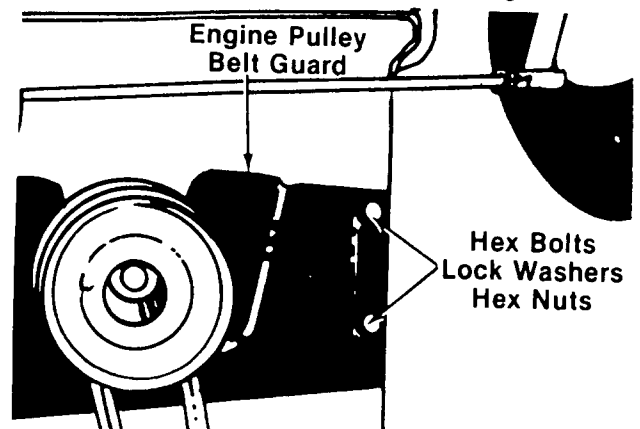


FIGURE 31

- Remove the engine pulley belt guard by slipping it back and to the right. See figure 32.
- Place the clutch/brake pedal in park position.
- Push forward on the variable speed pulley, and lift the belt off the engine pulley.
- Release the clutch/brake pedal. Using the pedal to move the variable pulley as necessary, lift the belt up and off the variable speed pulley.

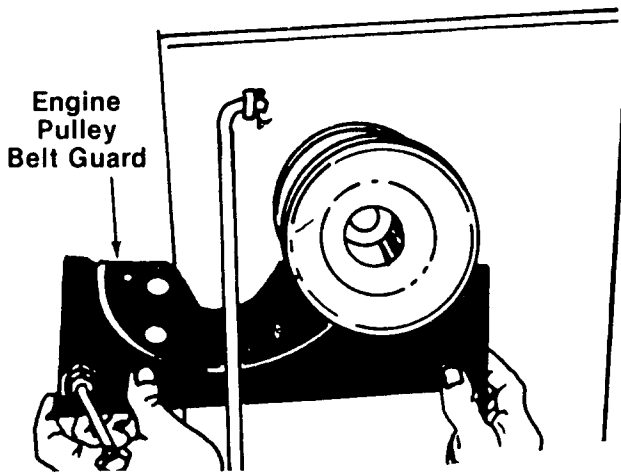


FIGURE 32

→ NOTE

It may be helpful to remove the pins which act as belt keepers, shown in figure 33. When reassembling, make certain belt is inside the pins.

10. Reassemble the new belt by putting over the large engine pulley then the variable speed pulley followed by the small engine pulley.
11. Reassemble the remainder following instructions in reverse order.

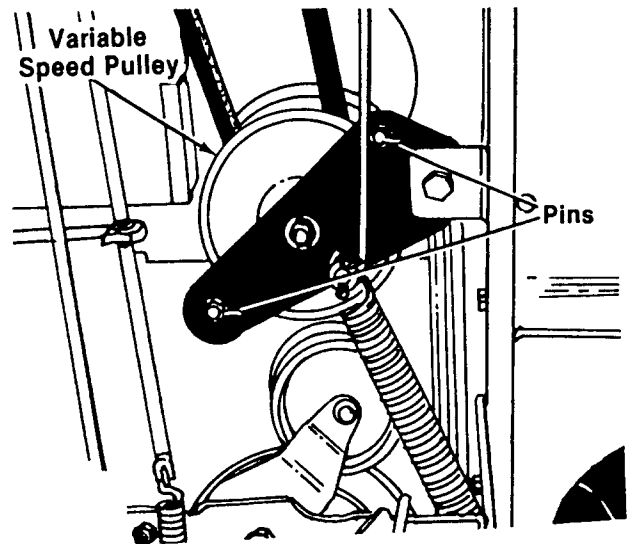


FIGURE 33

**DECK BELT REMOVAL AND REPLACEMENT**

1. Place the deck engagement lever in the disengaged position.
2. Remove shoulder bolt, lockwasher and hex nut attaching the diagonal brace to the deck.
3. Place the deck engagement lever in the engaged position and remove the cotter pin and flat washer which secures the stabilizer rod to the deck.
4. Disconnect the six deck links by removing the hairpin cotters and flat washers.
5. Remove the two hex bolts (belt keepers) from the engine pulley belt guard. See figure 30.

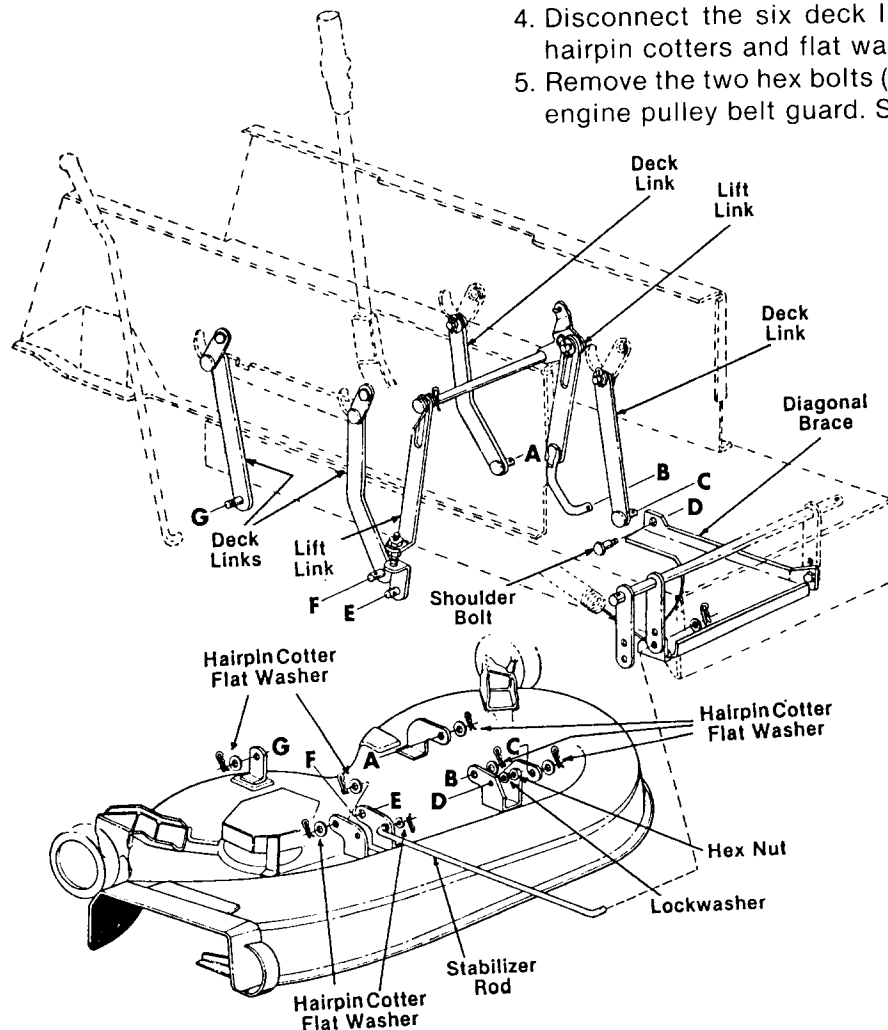


FIGURE 34

➔ **NOTE**

Make certain hex bolts are reassembled as shown in figure 30.

6. Place the deck engagement lever in the disengaged position. Unhook the deck belt from the engine pulley.
7. Slide the deck from beneath the lawn tractor.
8. Remove the belt guard by unhooking the spring and removing two self-tapping screws. See figure 35.
9. Remove the first drive belt.
10. Remove both the right and left hand pulley covers by removing the self-tapping screws.
11. Pivot the spring-loaded idler, and lift belt off.
12. Remove the belt from around the three deck pulleys.
13. Reassemble in reverse order.

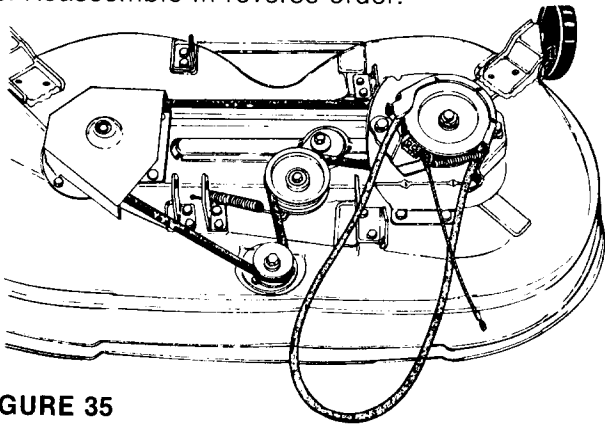


FIGURE 35

➔ **NOTE**

Upon reassembling the deck to the tractor, attach the two lift links, and then the four deck links to the deck. Be certain to route one side of the belt between the left hand lift link and deck link, and the other side outside of the deck link, as shown in figure 36.

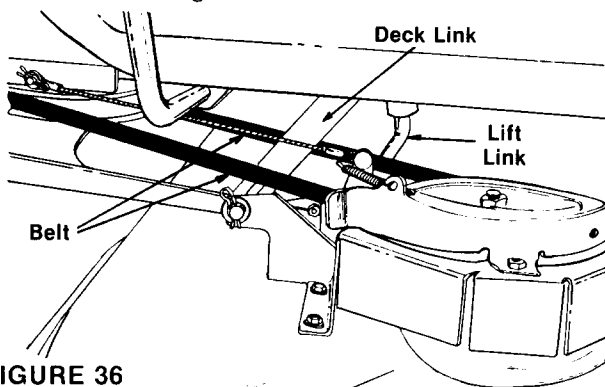


FIGURE 36

**BATTERY REMOVAL OR INSTALLATION**



**WARNING**

When removing the battery, follow this order of disassembly to prevent the screwdriver from shorting against the frame.

1. Remove the Negative cable.

2. Remove the Positive cable.

**To install a battery:**

1. Attach the Positive cable.
2. Attach the Negative cable.

**JUMP STARTING**

1. Attach the first jumper cable from the Positive terminal of the good battery to the Positive terminal of the dead battery.
2. Attach the second jumper cable from the Negative terminal of the good battery to the FRAME OF THE UNIT WITH THE DEAD BATTERY.



**WARNING**

Failure to use this starting procedure could cause sparking, and the gas in either battery could explode.

**OFF-SEASON STORAGE**

If the machine is to be inoperative for a period longer than 30 days, the following procedures are recommended:

1. Working outdoors, drain all fuel from the fuel tank. Use a clean, dry cloth to absorb the small amount of fuel remaining in the tank, then run the engine until all fuel in the carburetor is exhausted.
2. Drain all the oil from the crankcase (this should be done after the engine has been operated and is still warm) and refill the crankcase with clean, new oil.
3. Disconnect the spark plug wires and remove the spark plugs from the cylinder. A 3/4" deep socket wrench is required to remove a spark plug. Pour about 2 or 3 tablespoons of engine oil into each cylinder, and then turn the engine over several times to spread out the oil. Replace the spark plugs but do not connect the wires.
4. Clean the engine and the entire tractor thoroughly.
5. Lubricate all lubrication points and wipe the entire machine with an oiled rag in order to protect the surfaces.



**CAUTION**

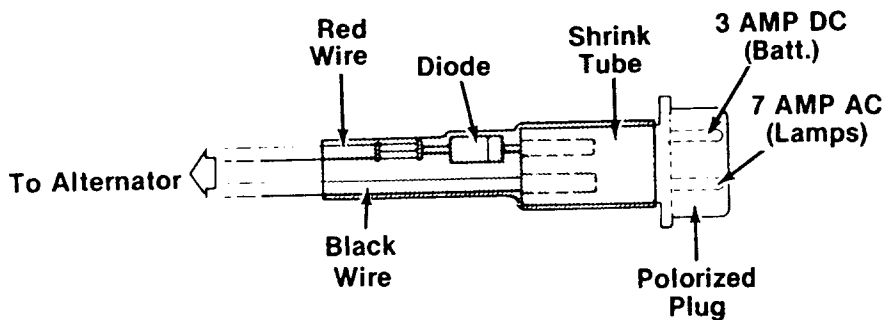
When storing any type of power equipment in an unventilated or metal storage shed, care should be taken to rust proof the equipment. Using a light oil or silicone, coat the equipment, especially any chains, springs, bearings and cables.

**BATTERY STORAGE**

1. Charge battery using normal methods. NEVER store discharged battery as it will not recover.
2. When storing battery for extended periods, disconnect battery cables. Removing battery from unit is recommended.
3. Store in cold, dry place.
4. Recharge battery whenever the specific gravity is less than 1.225, before returning to service, or every two months, whichever occurs first.

# TROUBLE SHOOTING CHART FOR ELECTRIC START MODELS

TROUBLE	LOOK FOR	REMEDY
Engine will not crank	Battery installed incorrectly	The battery must be installed with the negative, identified at the terminal post by (Neg, N or -), grounded. The positive (Pos, P or +) attaches to the large cable from the solenoid. The small red wire from the fuse holder or circuit breaker is also attached to the positive terminal.
	Blow fuse or circuit breaker	Replace fuse with 7 1/2 amp. fuse 1/4 x 1 1/4" lg. Circuit breaker will reset itself when it cools off. Fuses or circuit breakers seldom open or fail without a reason. The problem must be corrected. Check for loose connections in the fuse holder. Replace fuse holder if necessary. A dead short may be in the cranking or charging circuit where the insulation may have rubbed through and exposed the bare wire. Replace the wire or repair with electrician's tape if the wire strands have not been damaged. Note: Look for a wire pinched between body panels, burned by the exhaust pipe or muffler or rubbed against a moving part.
	Battery is dead or weak	Use a hydrometer to check the condition of the battery. The Specific Gravity (s.g.) should be 1.265 at 80°F. (1.215 s.g. minimum needed for cranking engine). The reason for the battery failing must be determined. (1) Defective battery. Battery will not accept or hold a full charge. (2) Short circuit. Check for grounded wire. (3) Charging system not working, engine alternator.

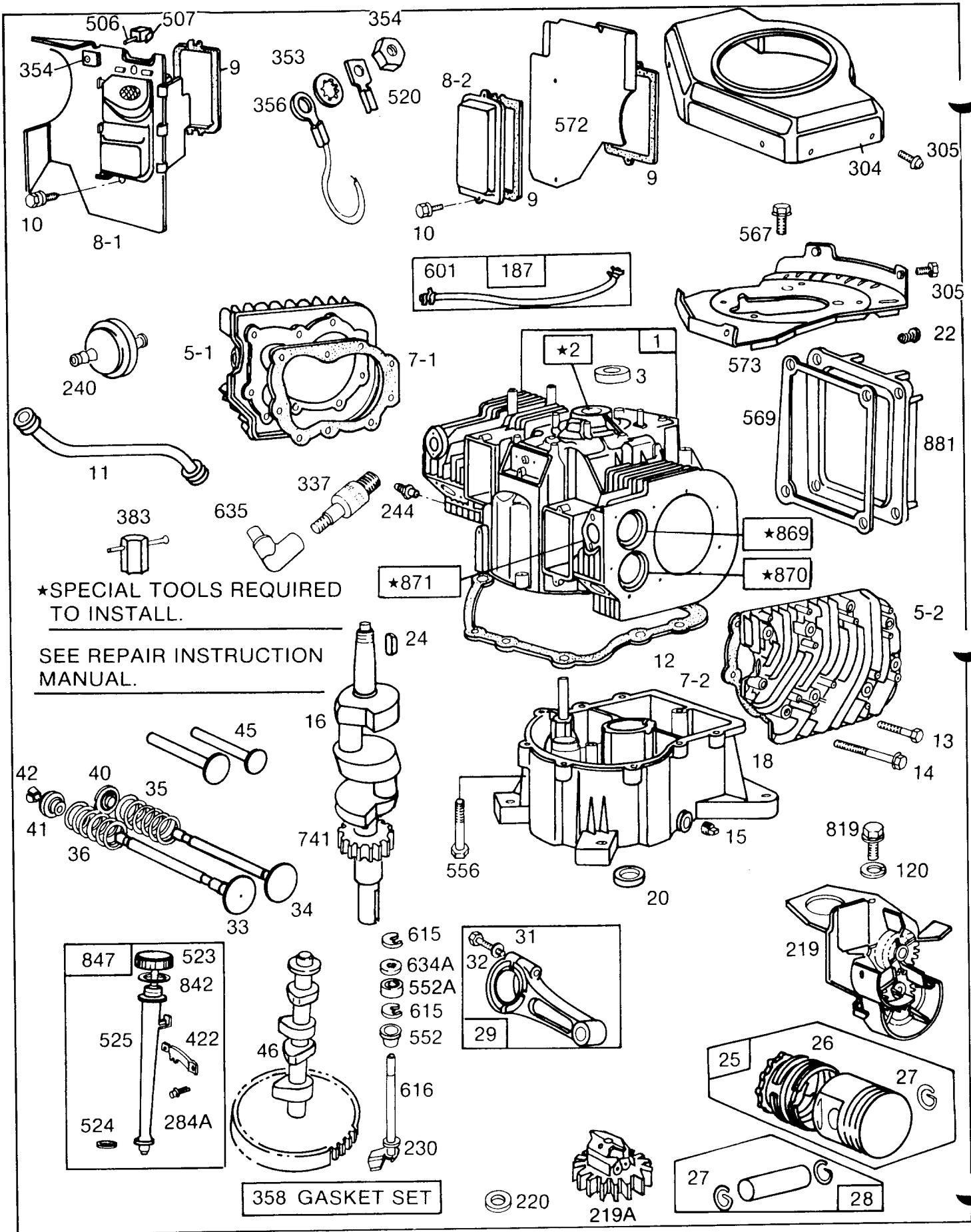


The diode changes A.C. to D.C. to charge the battery. A bad diode can either fail to charge the battery or discharge the battery if the alternator is shorted as well as the diode. To test: (1) Disconnect charger lead from the battery (small red wire). (2) Connect 12 V small test lamp between the 3 amp. D.C. charge lead and the positive terminal of the battery. (3) With the engine off, the lamp should not light. If it does, the diode and possibly the alternator should be replaced. (4) Start the engine. The lamp should light. If it does not, the alternator (stator) or lead wire is bad and should be replaced.

Engine cranks but will not start	<p>Mechanical failure. (Wires and switches)</p> <p>Throttle or choke not in starting position</p>	<p>The interlock system includes two mechanical activated switches which are wired in series in the circuit used to energize the starter solenoid. While testing the interlock system, you will make the mower temporarily unsafe by permitting the engine to be started with the blade and clutch engaged. <b>WARNING:</b> While testing, disengage the clutch, shut off the blade control, set the parking brake and place the gear shift lever in neutral. Attach a wire (minimum 18 gauge) to the positive terminal of the battery and touch the other end to the small terminal on the solenoid. <b>If the engine does not crank:</b> (1) There is a loose connection or poor ground. (2) The solenoid may be bad. The solenoid can be checked by using a heavy wire (#8 gauge minimum) and jumping between the two large terminals. If the engine cranks, the solenoid is bad. (3) If the engine does not crank when you jump the solenoid, have the starter motor tested by an authorized engine dealer. If the engine does crank, the problem is with one of the safety switches, ignition switch or the wire between the fuse holder (or circuit breaker) and the small terminal on the solenoid. Note: Look for a poor connection at the switches or a defective switch. Replace if necessary.</p> <p>Check owner's guide for correct position for throttle control and choke (if separate control) for starting.</p>
----------------------------------	---	---

## TROUBLE SHOOTING CHART FOR ELECTRIC START MODELS

TROUBLE	LOOK FOR	REMEDY
	No spark to spark plug	Spark plug lead disconnected. Connect lead. Hold spark plug lead away from engine block about 1/4". Crank engine. There should be a spark. If not, have engine repaired at your Sears Service Department. Faulty spark plug. To test, remove spark plug. Attach spark plug lead to spark plug. Ground the spark plug body against the engine block. Crank the engine. The spark plug should fire at the electrode. Replace if it does not.
	No fuel to the carburetor	Gasoline tank empty. Fill. Fuel valve shut off. Open valve. Valve is located either at the bottom of the fuel tank or on the carburetor. Fuel line plugged. Remove and clean.
	Air filter dirty	If the air cleaner is dirty, the engine may not start. Clean or replace as recommended by the engine manufacturer.
Engine smokes	Engine loses crankcase vacuum	Dipstick not seated or broken. Replace defective part. Engine breather defective. Replace.
Excessive vibration	Bent or damaged blade spindle	<b>Stop engine immediately.</b> Check all pulleys, blade spindles, blade adapters, keys and bolts for tightness and damage. Tighten or replace any damaged parts.
	Bent blade	<b>Stop engine immediately.</b> Replace damaged blade. Only use original equipment blades.
Mower will not discharge grass or leaves uncut strips	Engine speed low Transmission selection Blades short or dull	Throttle must be set between 3/4 and full throttle. Use lower transmission gear. The slower your ground speed, the better the quality of cut. Sharpen or replace blades (uncut strip problem only).

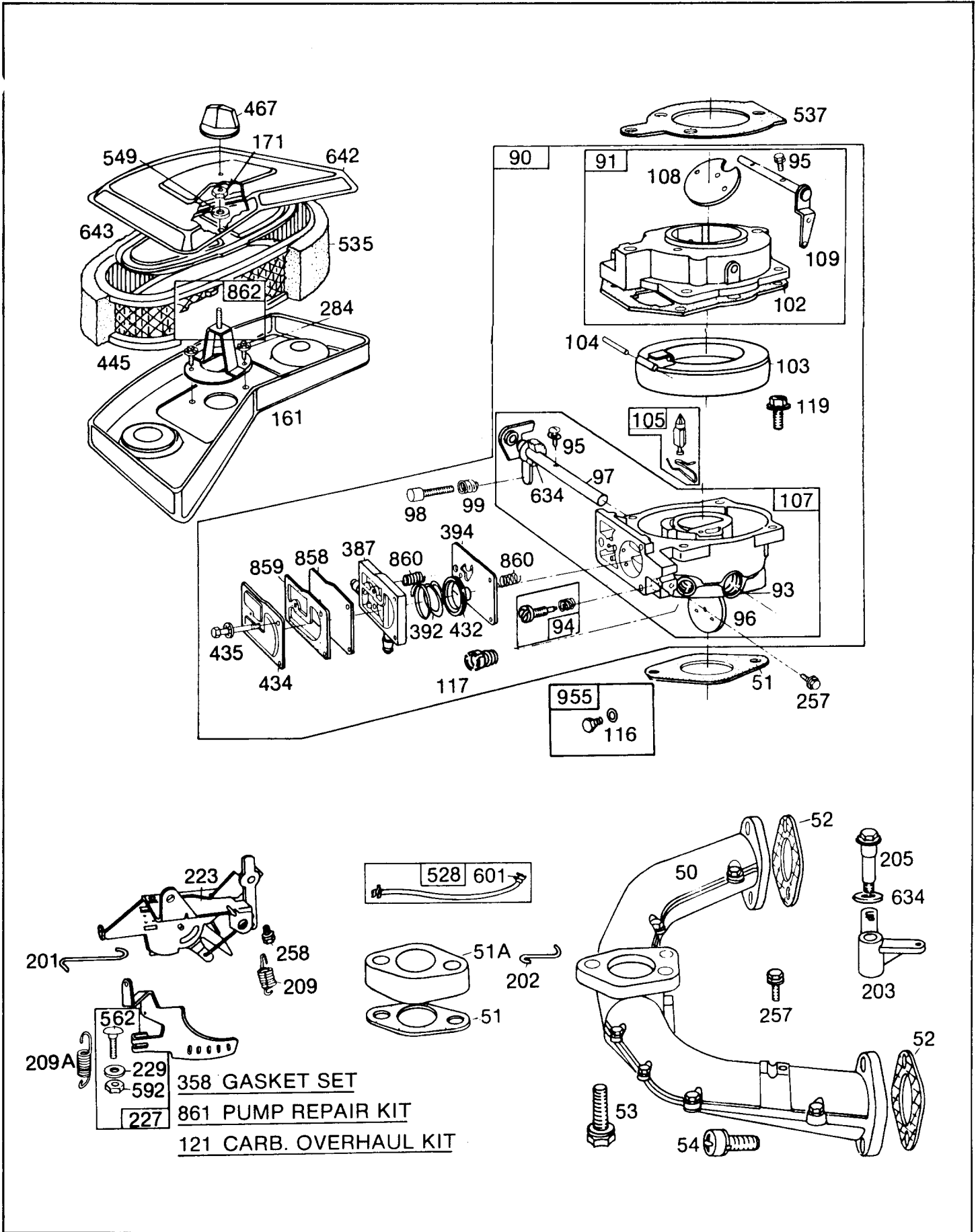


\*SPECIAL TOOLS REQUIRED TO INSTALL.

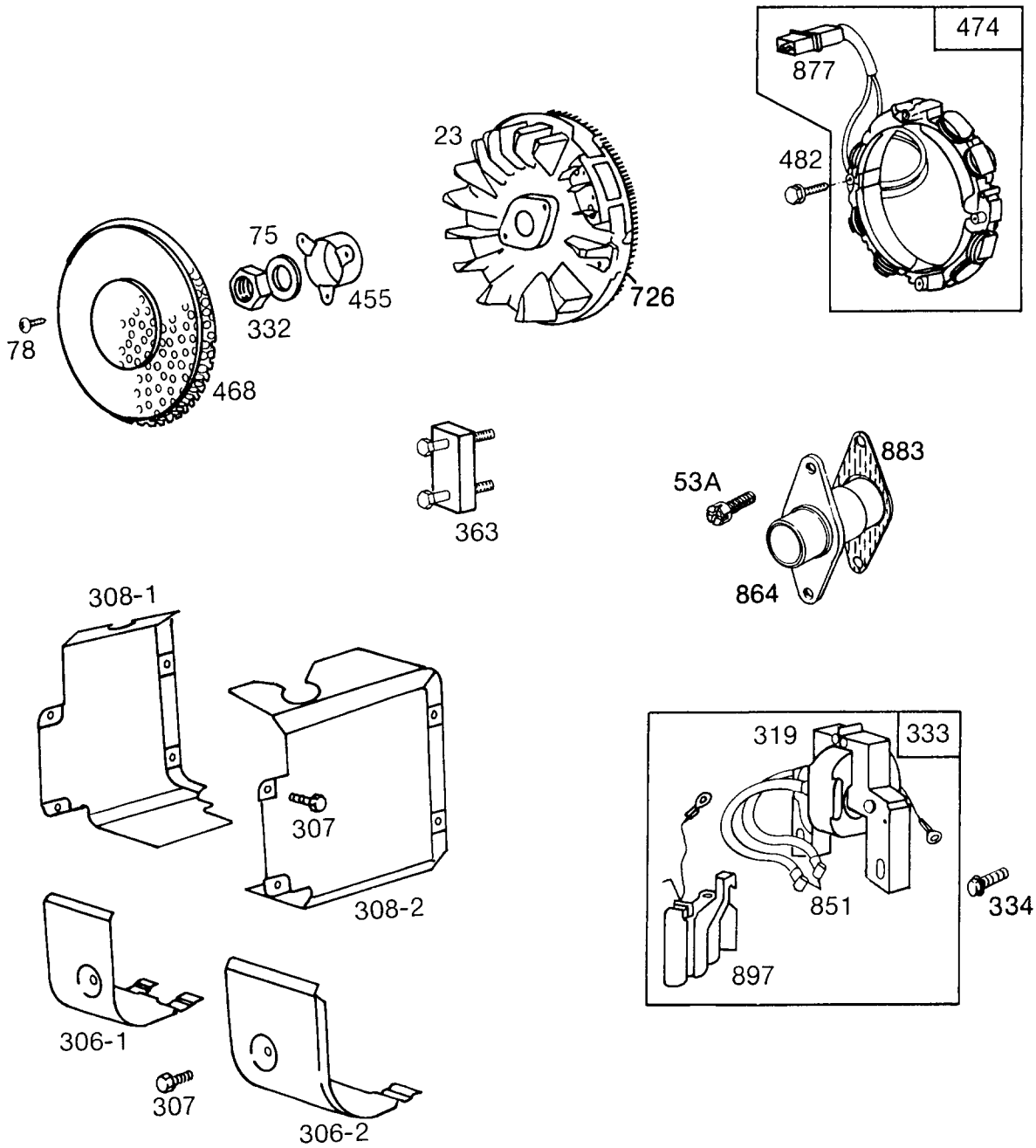
SEE REPAIR INSTRUCTION MANUAL.

358 GASKET SET

Assemblies include all parts shown in frames.

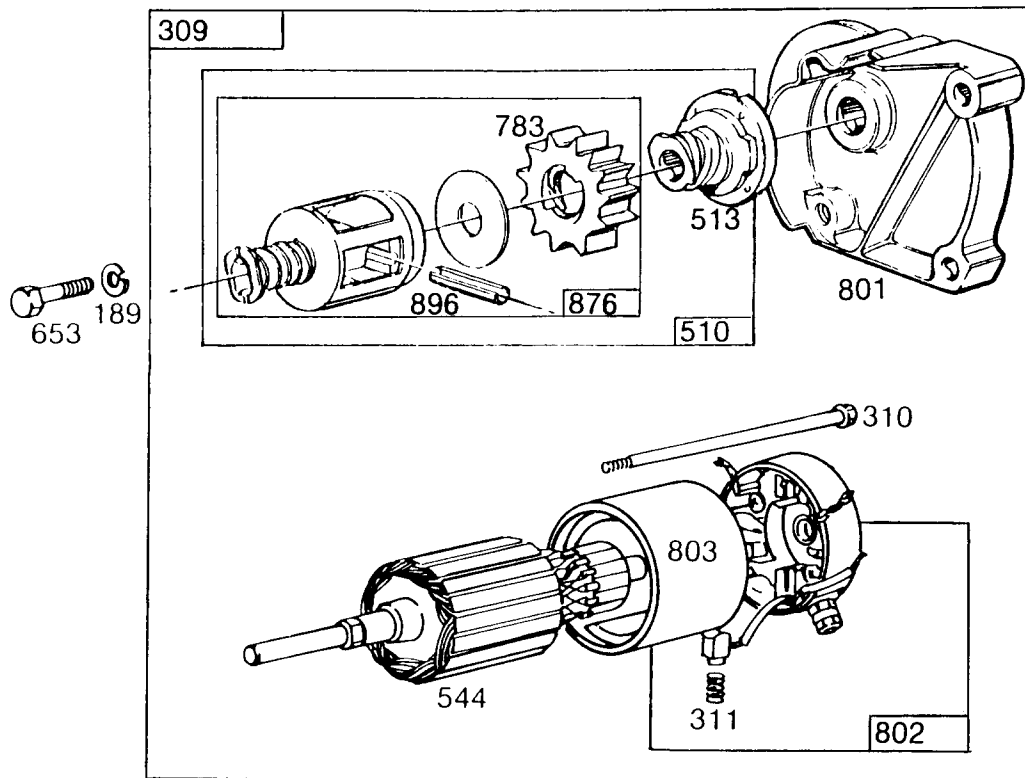


Assemblies include all parts shown in frames.



Assemblies include all parts shown in frames.





Subject		Ref. No. 309	Ref. No. 310	Ref. No. 311	Ref. No. 801	Ref. No. 802	Ref. No. 803
Starter Motor Mfr.		Motor and Drive Assy.	Thru Bolt	Brush Assembly	End Cap Assy. Drive	End Cap Assy. Commutator	Housing Assembly
Briggs & Stratton	Housing Length						
*12V	3 5/8"	394808	94003	395538	394860	395537	393825

Subject		Ref. No. 513	Ref. No. 544	Ref. No. 783	Ref. No. 876	Ref. No. 896	Ref. No. 510
Starter Motor Mfr.		Clutch Assembly	Armature Assembly	Gear	Pinion Spring Kit	Roll Pin	Starter Drive GP
Briggs & Stratton							
12V		391135	392747	28014	39354	93754	396865

Assemblies include all parts shown in frames.

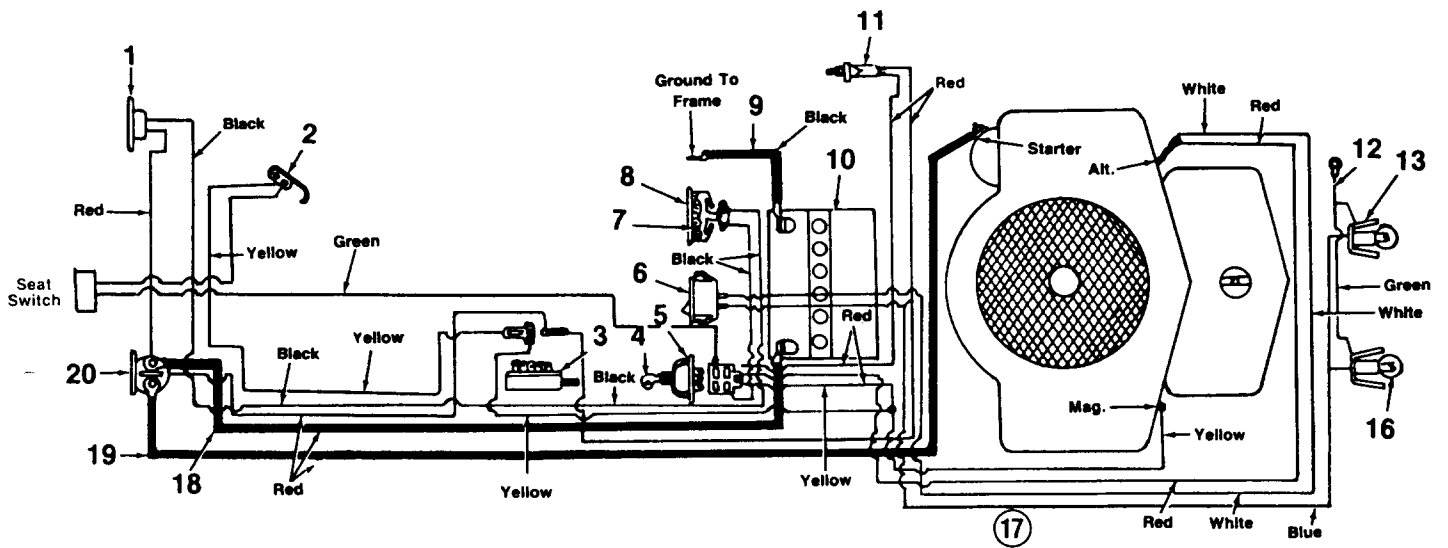
Ref. No.	Part No.	Description	Ref. No.	Part No.	Description
1	394941	Cylinder Assembly	284	93893	Screw - Sem
2	261623	Bearing - Cylinder	284A	93469	Screw - Hex. Hd.
3	391086	Seal - Oil	304	393287	Housing - Blower
5-1	212461	Head - Cylinder #1	305	93158	Screw - Sem
5-2	212462	Head - Cylinder #2	306-1	222846	Shield-Cylinder
7-1	*270984	Gasket - Cylinder Head #1	306-2	222847	Shield-Cylinder
7-2	*270983	Gasket - Cylinder Head #2	307	93163	Screw-Sems
8-1	393370	Breather Assembly #1	308-1	222848	Cover-Air Guide
8-2	*222892	Cover - Breather Cylinder #2	308-2	222849	Cover-Air Guide
9	*27803	Gasket - Valve Cover	309		Motor - Starting
10	93394	Screw - Sem			<b>See Chart for Replacement Parts for Starting Motors</b>
11	280225	Tube - Breather			Armature Ass'y.
12	*271142	Gasket - Crankcase Cover - 1/8" thick	319	394988	Nut - Hex.
	*271188	Gasket - Crankcase Cover - .005" thick	332	231247	Armature Group (Magnatron Ignition)
	*271189	Gasket - Crankcase Cover - .009" thick	333	394891	Screw - Armature Mtg. Sem
13	93111	Screw - Cylinder Head (1 1/8" long)	334	93381	Plug - Spark (2 3/4" High) (Resistor)
14	93113	Screw - Cylinder Head (2 3/8" long)	337	394539	Washer - Lock - Shakeproof
15	91084	Plug - Oil Drain	353	92791	Nut - Hex. - 8-32
16	393382	Crankshaft	354	90576	Wire - Ground
		<b>Note: To replace Crankshaft Gear Pin Order Part No. 231160</b>	356	391115	Gasket Set
18	393552	Base Assembly - Crankcase	358	394501	Puller - Flywheel (Optional Accessory)
20	291675	Seal - Oil	363	19203	Wrench - Spark Plug
22	93882	Screw - Crankcase	383	89838	Body - Pump
		Cover Mtg. Sems	387	280197	Spring - Pump
23	392956	Flywheel and Ring Gear Ass'y. - Magneto	392	1261395	Diaphragm
24	*222698	Key - Flywheel	394	1270988	Clamp - Oil Filter
		<b>PISTON ASSEMBLIES: (SLEEVE-BORE)</b>	422	222875	Cap - Spring
25	394955	Piston Assembly - Standard	432	1221377	Cover - Diaphragm
	394956	Piston Assembly - .010" O.S.	434	222615	Screw - Diaphragm Cover
	394957	Piston Assembly - .020" O.S.	435	93829	Cartridge - Air Cleaner
	394958	Piston Assembly - .030" O.S.	445	394019	Cup - Screen Mounting
		<b>RING SETS: (SLEEVE-BORE)</b>	455	222674	Knob - Air Cleaner
26	394959	Ring Set - Piston - Standard	467	212292	Screen - Flush Rotating
	394960	Ring Set - Piston - .010" O.S.	468	222673	Stator - Alternator (Dual Circuit)
	394961	Ring Set - Piston - .020" O.S.	474	393474	Screw - Sem
	394962	Ring Set - Piston - .030" O.S.	482	93621	Terminal
27	260924	Lock - Piston Pin	506	231174	Grommet - Insulator
28	299691	Pin Assembly - Piston - Standard	507	280180	Terminal - Spade
	391286	Pin Assembly - Piston - .005" O.S.	520	93722	Cap and Dipstick - Oil Filler
29	393270	Rod Assembly - Connecting	523	394020	Seal - Filler Tube
		<b>Note: For Connecting Rod with .020" undersize Crankpin Bore - Order No. 393714</b>	524	271157	Tube - Oil Filler
31	220863	Washer (1/2 x 5/8 x 1/32)	525	280224	Impulse Line and Clamp Ass'y. (9")
32	92909	Screw - Connecting Rod	528	390674	Element - Air Cleaner
33	*390420	Valve - Exhaust	535	271271	Gasket - Air Cleaner
34	*261528	Valve - Intake	537	*1271411	Washer
		Uses: Seal Ass'y. and Retainer (Ref. No. 868)	549	271180	Lower Bushing - Gov.
35	65906	Spring - Intake Valve	552	261559	Upper Bushing
36	26828	Spring - Exhaust Valve	552A	261560	Screw - Hex. Hd. Sem
40	221596	Retainer - Intake Valve	556	93585	<b>Note: 93730 Stud - Crankcase Cover; 90366 Lockwasher; 22963 Washer.</b>
41	292260	Rotocoil - Exhaust Valve	562	93853	Bolt - Governor Lever
42	93630	Retainer - Exhaust Valve Rotocoil (2)	567	93777	Screw - Hex. Head (Back Plate to Cyl.)
45	261368	Tappet - Valve	569	*270981	Gasket - Crankcase
46	*212337	Gear - Cam	572	222912	Baffle - Air (Cyl. #2)
50	394374	Manifold Ass'y. - Intake	573	392934	Back Plate Assembly
51	†271412	Gasket - Intake Manifold Mtg.	592	92278	Nut - Hex. - 10-24
51A	280319	Spacer - Carburetor	601	93053	Clamp - Fuel Line
52	*270884	Gasket - Intake Manifold Mtg.	615	93851	Retainer - E-Ring
53	93970	Screw - Carburetor - Mtg. Sem	616	394349	Crank - Governor
53A	93415	Screw - Carburetor - Mtg. Sem	634	1271013	Washer (Throttle Shaft)
54	93208	Screw - Intake Manifold Mtg. Sem	634A	271316	Foam Seal - Governor Shaft
75	222511	Washer - Spring	635	66538	Elbow - Spark Plug
78	93805	Screw - Sem	642	223002	Cover - Air Cleaner
90	397245	Carburetor Ass'y. (Remote Choke)	643	222859	Cartridge Plate - Air Cleaner
91	397241	Body Ass'y. Upper Carburetor	653	91162	Screw - Hex. Hd. - (5/16-18 x 1 1/2")
93	231209	Bushing - Throttle Shaft	664	93343	Screw - Sem
94	1292681	Valve Ass'y. - Carburetor Idle	726	391362	Gear - Flywheel Ring (Includes Mounting Parts)
95	93499	Screw - Throttle and Choke Valve Mtg. Sem	741	261363	Gear - Timing
96	221939	Valve - Throttle	819	93686	Screw - Hex. Hd. (10-32 x 5/8")
97	392672	Shaft and Lever - Throttle	842	271170	Seal - Oil Filler Cap
98	91920	Screw - Machine, Fil. Hd. - 8-32 x 5/8"	847	394394	Dipstick and Tube Assembly
99	26157	Spring - Throttle Adjustment	851	221798	Terminal - Ignition Cable
102	1271607	Gasket - Carburetor Body	858	1270989	Diaphragm - Damping
103	298514	Float - Carburetor	859	1271025	Gasket - Carb. Pump
104	1230896	Pin - Float Hinge	860	1261358	Spring (2)
105	1299096	Valve - Fuel Inlet	861	393397	Repair Kit - Pump
107	397270	Body - Lower Carb.	862	394546	Mounting Strap Ass'y. - Air Cleaner
108	222010	Valve - Choke	864	393483	Liner - Exhaust Port
109	392673	Shaft and Lever - Choke	868	393606	Seal Ass'y. and Retainer
116	280474	O-Ring	869	261463	Seat - Intake Valve (Standard)
117	231338	Jet - Needle Valve	870	210940	Seat - Exhaust Valve (Standard)
119	93496	Screw - Hex. Hd. Sem (10-32 x 3/8")	871	231218	Guide Exhaust Valve
120	92290	Washer - Lock No. 10 x 1/8 x 3/64			See Repair Manual
121	394502	Carburetor Overhaul Kit	877	393456	Diode and Connector Assembly
161	222861	Body - Air Cleaner	881	222860	Cover Plate - Crankcase
171	93715	Nut - Hex.	883	271174	Gasket - Exhaust
187	299146	Line - Fuel (28")	897	394970	Trigger Coil Ass'y. - MAGNETRON Ignition
		Cut to Required Lenth	955	397882	Plug and Seal - Solenoid
189	90366	Lockwasher			*Included in Gasket Set - Part No. 394501
201	261586	Link - Governor			†Included in Carburetor Overhaul Kit Part No. 394502
202	261587	Link - Throttle			‡Included in Carburetor Overhaul Kit Part No. 394502 and Pump Repair Kit Part No. 393397
203	280320	Crank - Bell			
205	93971	Screw - Shoulder			
209	261720	Spring - Governor			
209A	261563	Spring - Governor Idle			
219	393415	Oil Slinger Assembly			
219A	394348	Gear - Governor			
220	222773	Washer - Thrust			
223	394538	Plate Assembly - Lever and Governor Control			
227	394470	Lever Ass'y. - Governor			
229	222289	Washer			
230	220863	Washer - Gov. Crank (Inside)			
240	394358	Filter - Fuel (In Fuel Line to Tank)			
244	230318	Connector - Impulse Pump			
257	93897	Screw - Sem			
258	93158	Screw - Sem			

**DECORATION PACKAGE:**

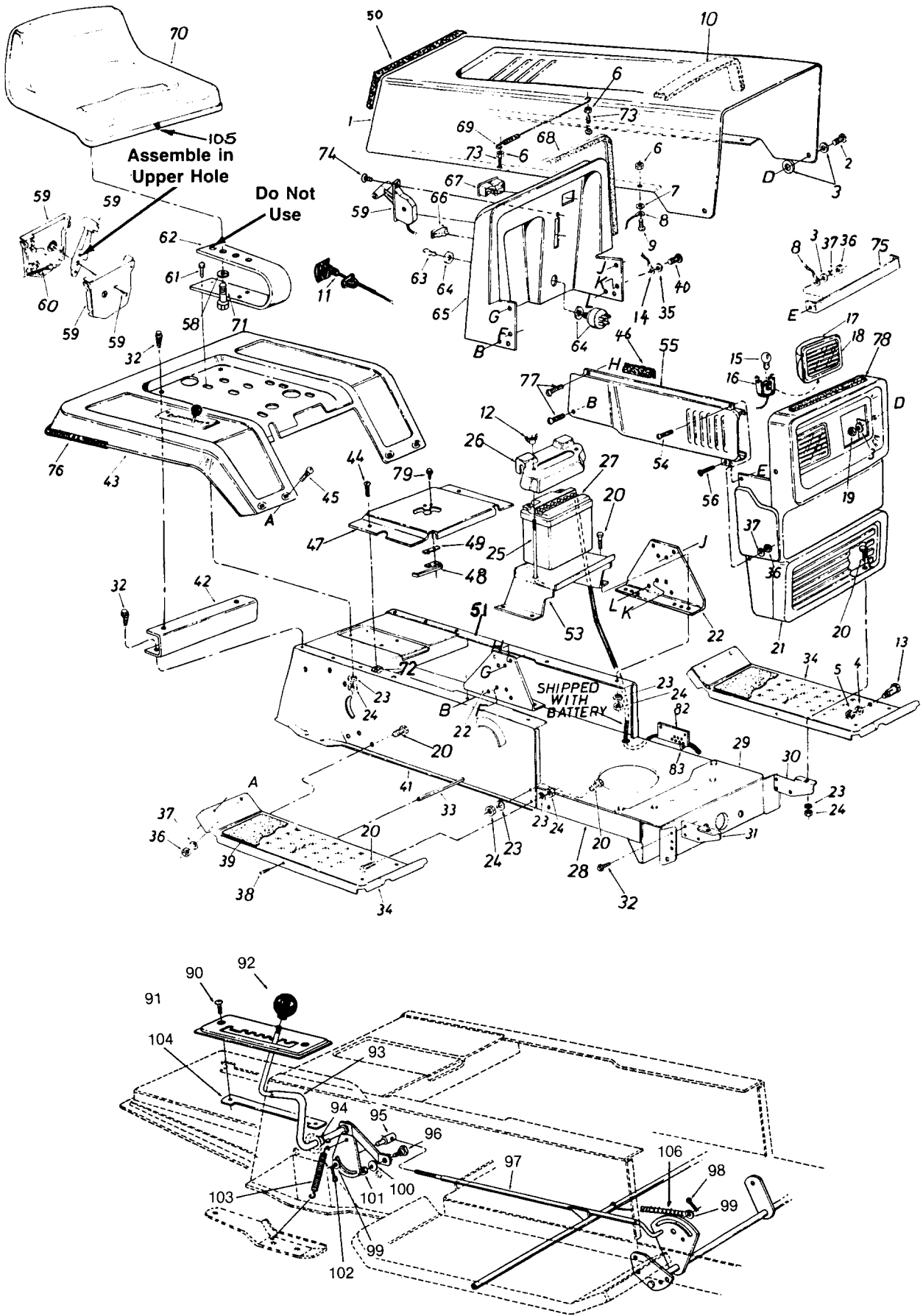
- 776-4253 CRAFTSMAN Silk Screen - Black
- 776-4218 16 HP Twin Silk Screen - Black
- 776-4568A Transmission Control Copy Silk Screen - Black
- 777-6063 (R) Right Hand Dash Copy Label
- 777-6063 (L) Left Hand Dash Copy Label
- 777-0144 Shop Canadian Label
- 777-2245 Brake/Clutch Label
- 777-4024 Steering Cap Label
- 777-4220 Sears - CRAFTSMAN Label (Lower R.H. corner of grille)
- 777-4210 7 Speed Label
- 777-9455 44" Do Not Step Label
- 777-9328A Height Adjustment Label
- 777-9375 Caution Label (On Chute)
- 777-9452 "Never Carry Children" Label (back of seat)
- 777-9474 "Max 30 p.s.i." Label (on wheel rims)
- 777-4217 Labels - Hood Stripes
- 777-4070 Label - Red Stripe

**TOUCH UP PAINT:**

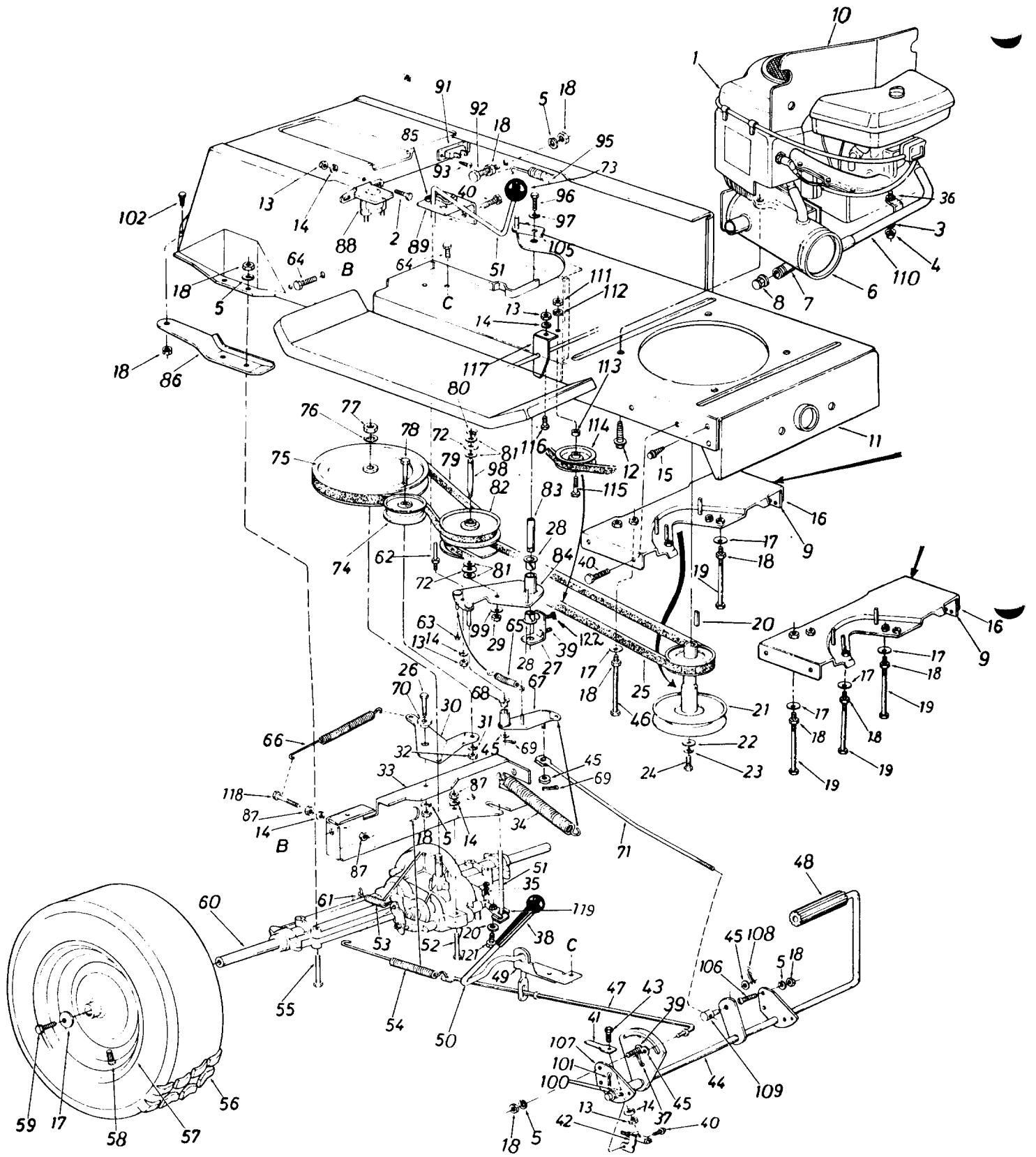
- 788-0500 Silver
- 788-0104 Black



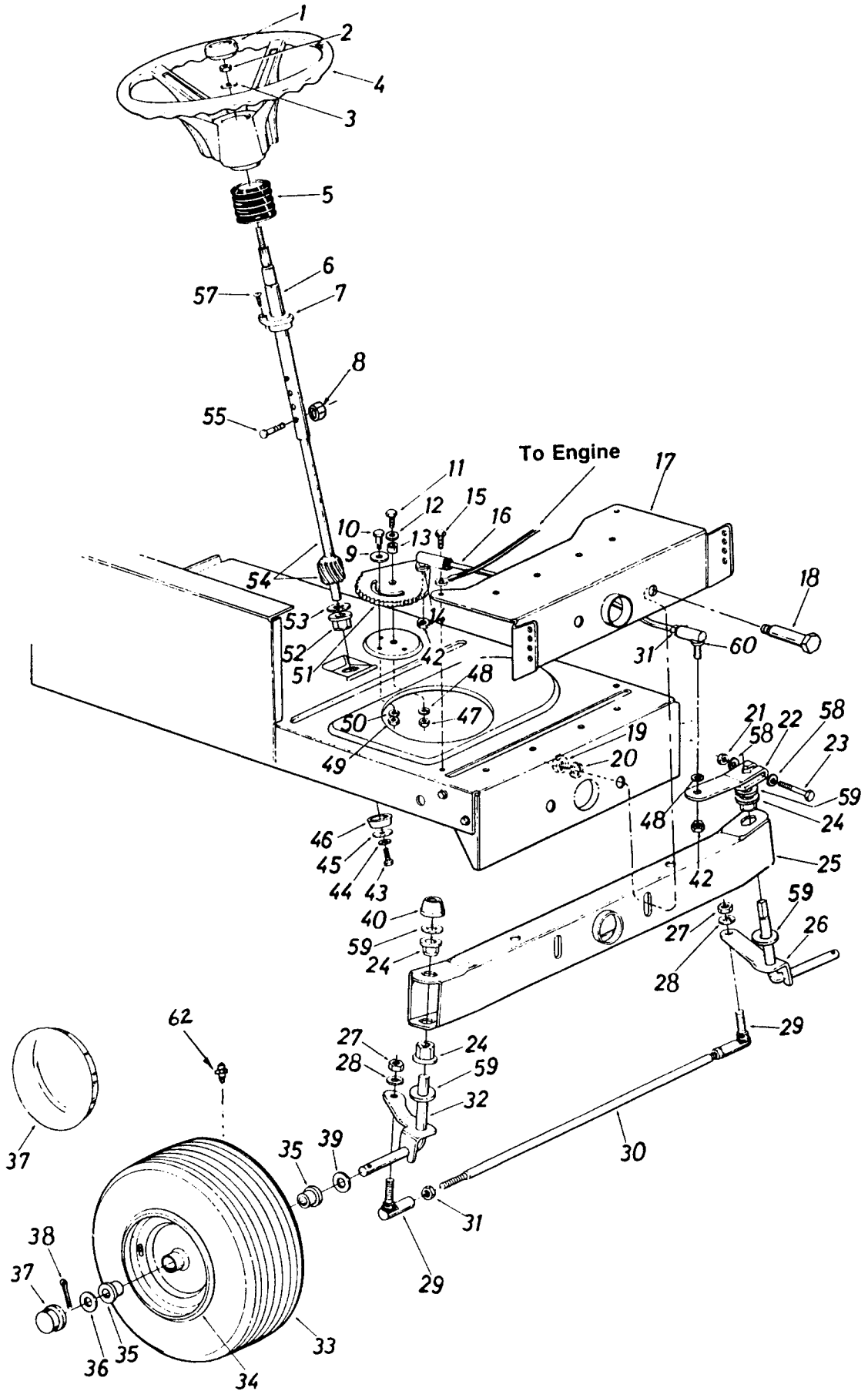
Ref No.	Part No.	Description
1	725-0459	Circuit Breaker
2	725-0759	Spring Switch
3	725-0819	Safety Switch Dpst.
4	725-0201	Ignition Key
5	725-0267	Ignition Key
6	725-0634	Headlight Switch
7	722-0135	Foam Strip
8	725-0925	Ammeter
9	725-0994	Ground Wire 14.0" Lg.
10	725-0453	12 Volt Battery
11	725-0577	Safety Switch
12	725-0916	Ground Wire
13	725-1058	Socket
16	725-0963	Lamp
17	725-1179	Wire Harness
18	725-1080	Electric Wire 27.0" Lg.
19	725-0562	Electric Wire 32.5" Lg.
20	725-0771	Solenoid



Ref No.	Part No.	Description
1	15808A	Hood
2	710-0255	Truss Hd. Scr. 1/4-20 x .62
3	736-0463	Fl-Wash .281 ID x .62 OD x .051
4	736-0169	L-Washer 3/8" ID
5	712-0798	Hex Nut 3/8-16
6	712-0272	Hex Sems Nut #10-24
7	736-0931	Fl-Wash. .203 ID x .406 OD x .040
8	727-0290	Brake Cable 11.0" Lg.
9	710-0473	Truss Hd. Scr. #10-24 x .50 Lg.
10	723-0138	PVC Foam - Strip
11	746-0613	Choke Control Complete
12	712-0113	Wing Nuts
13	738-0145	Shoulder Bolt .50" Dia. x .84
14	725-0994	Electric Wire
15	725-0963	Lamp
16	725-1058	Socket
17	731-0705	Headlight Housing
18	731-0706	Lens
19	712-0107	Hex Cent. L-Nut 1/4-20
20	710-0118	Hex Screw 5/16-18 x .75
21	15804A	Grille
22	15818A	Dash Support Bracket
23	736-0119	L-Washer 5/16 ID
24	712-0267	Hex Nut 5/16-18
25	711-0222	Battery Hold Down Rod
26	731-0707	Battery Cover
27	725-0453	Battery
28	14606	Lower Frame
29	14619	Front Pivot Bracket
30	15821	Grille Mount Bracket - L.H.
31	15822	Grille Mount Bracket - R.H.
32	710-0607	Hex Wash Hd. AB-Tap Screw 5/16-18 x .50
33	738-0526	Running Board Rod
34	14604	Running Board (R.H. & L.H.)
35	736-0607	External L-Washer 5/16
36	712-0287	Hex Nut 1/4-20
37	736-0329	L-Wash. 1/4" ID
38	710-0323	Truss Mach. Scr. 5/16-18 x .75
39	723-0360	Foot Pad Abrasive Type
40	710-0642	Hex Tap Scr. 1/4-20
41	14602	R.H. Side Frame
42	15848	Fender Mounting Brace
43	16221	Rear Fender
44	710-0351	Truss Mach. B-Tapp Scr. #10 x .50
45	710-0167	Carriage Bolt 1/4-20 x .5" Lg.
46	731-0511-5	Trim Strip 5" Lg.
47	16433	Transmission Panel
48	725-0759	Reverse Safety Switch
49	726-0222	Insulator Nut Plate
50	731-0511-27	Trim Strip 27" Lg.
51	14603D	L.H. Side Frame
53	12747	Battery Bracket
54	710-0166	Truss Hd. Scr. 1/4-20 x 1.00
55	16469	Side Cover - R.H.
	15815	Side Cover - L.H. (Not Shown)
56	710-0286	Truss Mach. Scr. 1/4-20 x .50
58	736-0921	L-Washer 1/2" ID
59	831-0823	Throttle Control Box Ass'y. - Complete
60	746-0503	Throttle Control Wire
61	710-0376	Hex Bolt 5/16-18 x 1.00
62	732-0458	Seat Spring
63	725-0201	Ignition Key
64	725-0267	Key Switch
65	16489	Dash Panel
66	725-1130	Light Switch
67	725-0925	Ammeter
68	731-0511	Trim Strip - Inches
69	732-0462	Extension Spring .38 x 14.3
70	757-0309	Seat Ass'y.
71	710-0493	Hex Screw 1/2-20 x 1.00" Lg.
72	726-0139	Speed Nut #10Z
73	710-0749	Hex Screw #10-24 x 1.0" Lg.
74	710-0779	Truss Mach. AB-Tap Scr.
75	15931	Tie Strap Grille Side Panel
76	731-0511	Trim Strip - Inches
77	710-0642	Thd. Forming Screw 1/4-20 x .75
78	722-0157	Foam Strip 3/8 x 1 1/8 x 1 1/2
79	710-0227	Hex Wash Hd. AB-Tap Screw #8 x .50 Lg.
82	16371	Brake Cable Bracket
83	725-0154	Cable Tie
90	710-0924	Truss Mach. Screw 1/4-20 x .75" Lg.
91	16194	7 Speed Selector Plate
92	720-0175	Gear Shift Knob
93	16192	Speed Selector Cam Ass'y.
94	736-0192	Flat Washer .531 ID x 1.13 OD
95	711-0198	Ferrule
96	738-0155	Shoulder Screw
97	16355	Speed Control Rod
98	714-0507	Cotter Pin
99	736-0226	Flat Washer
100	736-0119	Belleville Washer
101	712-0267	Hex Nut 5/16-18
102	714-0507	Cotter Pin 1/32 x .75 Lg.
103	732-0303	Ext. Spring
104	16196	Clamping Plate
105	757-0315	Clip - Red
106	732-0157	Extension Spring

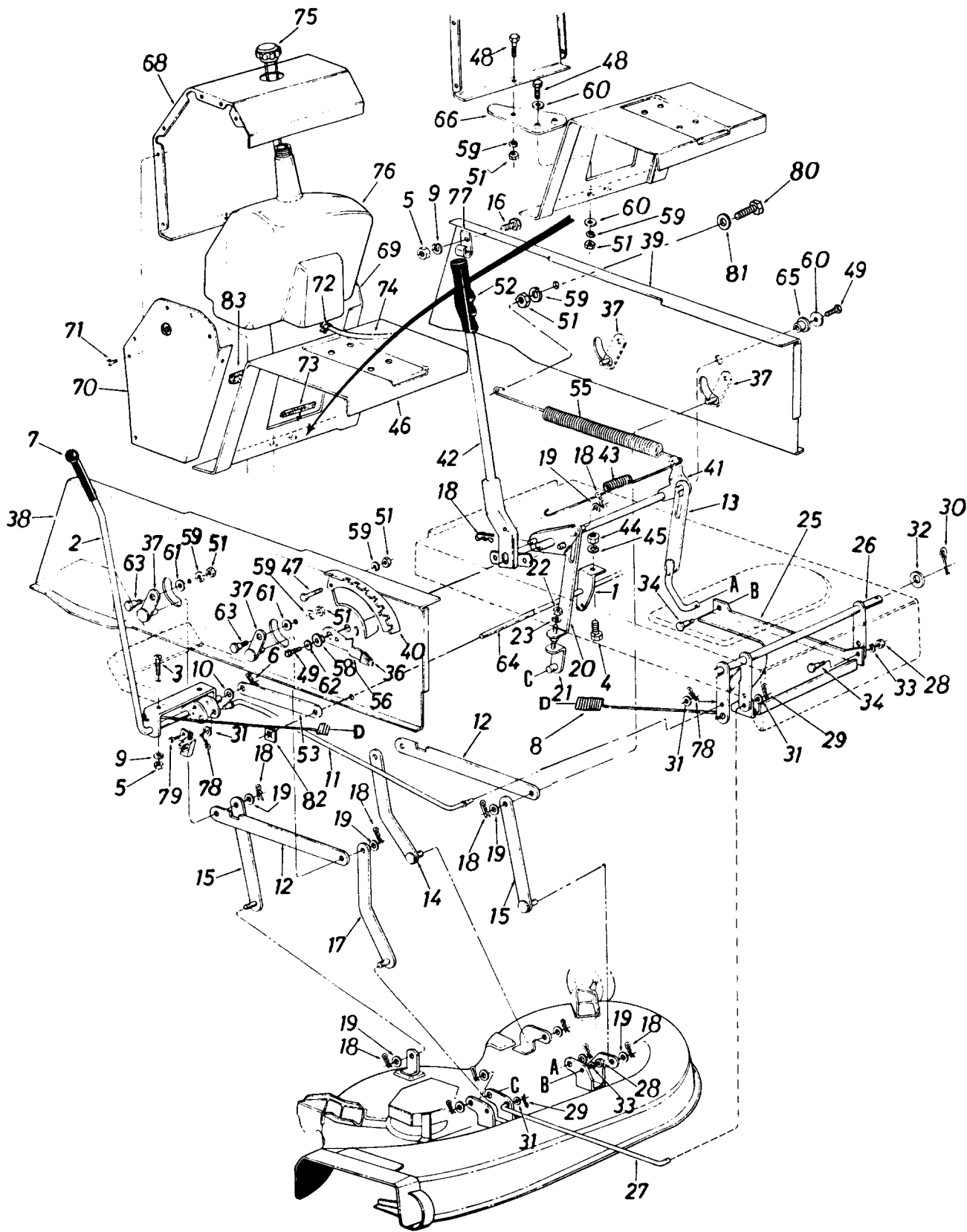


Ref No.	Part No.	Description
1		Engine
2	710-0258	Hex Screw 1/4-20 x .62
3	736-0170	Special L-Wash 3/16" ID x .88
4	712-0267	Hex Nut 3/16-18
5	736-0119	L-Wash 3/16 ID
6	751-0444	Exhaust Muffler
7	737-0164	Pipe Nipple 3/8-18 NPT
8	737-0143	Pipe Cap 3/8-18 NPT
9	16371	Brake Cable Bracket
10	16215	Heat Shield
11	15930	Lower Frame Ass'y.
12	710-0502	Hex Self-Tapp Scr 3/8-16 x 1.25
13	712-0287	Hex Nut 1/4-20
14	736-0329	L-Wash 3/4 ID
15	710-0726	Hex Wash Hd AB Tap Scr 3/16 x .75
16	16219A	Belt Guard Bracket Ass'y.
17	736-0105	Belleville Washer .40 ID x .88 OD x .060
18	712-0267	Hex Nut 3/16-18
19	710-0190	Hex Bolt 3/8-18 x 4.00
20	714-0114	Sq. Key 1/4 x 2.00" Lg
21	756-0424	Engine Pulley
22	736-0322	Flat Washer 3/16 ID x 1.25 OD x .180
23	736-0171	Lockwasher 3/16 ID
24	710-0757	Hex Screw 3/8-20 x 1.50
25	754-0280	Variable Speed Belt .715 x 53.0" Lg.
26	710-0118	Hex Screw 3/8-18 x .75
27	16553	Bearing Shaft Bracket
28	741-0295	Flanged Nyloner Bearing 3/4 ID x .88 Lg
29	712-0241	Hex Nut 3/8-24
30	15891	Idler Bracket
31	736-0169	L-Wash 3/4 ID
32	712-0241	Hex Nut 3/8-24
33	15945	Transaxle Support Bracket
34	732-0459	Extension Spring .99 OD x 6.7
35	714-0149	Cotter Pin 1/4 x 1.0
36	736-0204	Flat Washer .34 ID x .62 OD x .033
37	714-0111	Cotter Pin 3/8 Dia. x 1.00 Lg
38	720-0143	Grip
39	710-0323	Truss Mach Screw 3/16-18 x .75
40	710-0599	Hex Wash Sf-Tapp Scr 1/4-20 x .50
41	732-0435	Switch Actuator
42	725-0577	Safety Switch
43	710-0597	Hex L-Wash Hd. AB Tap Scr.
44	16235	Clutch and Brake Pedal Ass'y.
45	736-0117	Flat Washer .385 ID x .62 OD x .033
46	710-0402	Hex Bolt 3/8-18 x 4.5
47	747-0519	Brake Rod 20.9" Lg.
48	735-0196	Foot Pad
49	15889	Brake Lever Brkt.
50	15888	Hill Hold Brake Handle
51	16430	Shift Lever Ass'y.
52	710-0559	Hex Screw 1/4-28 x 1.75
53	732-0264	Extension Spring 3/4 OD x 2.5
54	732-0413	Extension Spring .590 OD x 7.08
55	710-0176	Hex Screw 3/8-18 x 2.75"
56	734-0817-500	Wheel Ass'y. Complete 18 x 9.5 (Silver)
	734-0448	Tire Only
57	734-0603-500	Wheel Rim Ass'y. (Silver)
58	734-0255	Air Valve
59	710-0627	Hex L-Bolt 3/8-24 x .75
60	717-1050	Transaxle Complete
61	732-0454	Brake Return Spring Anchor
62	711-0768	Belt Guard Pin 1/4-20 x 1.0
63	726-0106	Push Cap
64	710-0604	Hex Wash TT-Tapp Scr.
65	732-0387	Extension Spring
66	732-0384	Extension Spring .50" Dia.
67	16554	Variable Speed Torque Brkt. Ass'y.
68	741-0419	Flanged Nyloner Bearing
69	714-0507	Cotter Pin 3/8 x .75
70	748-0234	Shoulder Spacer .25 Thk.
71	747-0530	Speed Control Link
72	741-0405	Truss Bearing .56 Dia. x 1.25
73	720-0165	Ball Knob 1/4 Dia w/3/16-16 Thd.
74	756-0437	Flat Idler Pulley 3.25 x 1.0
75	756-0374	1/2" V-Pulley 8.00" x .501 ID
76	736-0921	L-Washer 1/2" ID
77	712-0922	Hex Nut 1/2-20
78	710-0539	Hex Bolt 3/8-24 x .75" Lg.
79	754-0281	Variable Speed Belt .715 x 44" Lg.
80	716-0114	Snap Ring
81	736-0355	Flat Washer
82	717-0800	Variable Speed Pulley Ass'y. .5 OD
83	711-0766	Bearing Shaft
84	16354	Variable Speed Bracket Ass'y. .
85	732-0525	Comp. Spring Clip
86	14770A	Axle Support Bracket - R.H.
	14769	Axle Support Bracket - L.H. (Not Shown)
87	712-0138	Hex Nut 1/4-28 Thd.
88	725-0771	Solenoid
89	16429	Shift Lever Bracket
91	725-0459	Circuit Breaker
92	710-0959	Hex Bolt 3/8-18 x 1.5
93	710-0351	Truss Mach B-Tapp Scr #10 x .50
95	732-0307	Extension Spring
96	710-0180	Hex Bolt 3/8-24 x .75
97	736-0105	Belleville Washer .400 ID x .88 OD x .06
98	738-0569	Shaft .56 Dia. x 3.875" Lg
99	736-0331	Belleville Washer .39 ID x 1.12 OD
100	736-0256	Flat Washer 3/4 ID x 1.0 OD x .030
101	714-0470	Cotter Pin 1/4" Dia x 1.25
102	710-0604	Hex Wash Hd Scr 3/16-18 x .62
105	16067	Belt Guard Ass'y.
106	710-0323	Truss Mach Scr 3/16-18 x .75
107	15835	Pedal Bracket
108	714-0145	Int. Cotter Pin 3/8" Dia.
109	711-0198	Ferrule
110	751-0466	Inlet Tube Ass'y.
111	712-0798	Hex Jam Nut 3/8-16
112	736-0169	L-Washer 3/4 ID
113	736-0280	Flat Washer .390 ID x 1.12 OD x .187
114	756-0217	Flat Idler With Flange
115	710-0427	Hex Screw 3/8-16 x .20
116	710-0258	Hex Bolt 1/4-20 x .62" Lg.
117	16181	Spring Hanger Bracket
118	710-0428	Hex Bolt 1/4-28 x 1.25" Lg.
119	16437	Shift Lever Link Ass'y.
120	736-0270	Belleville Washer .265 ID x .75 OD
121	710-0195	Hex Bolt 1/4-28 x .62" Lg.
122	710-0971	Truss Hd. Phillips Screw 3/16-18 x 1.00

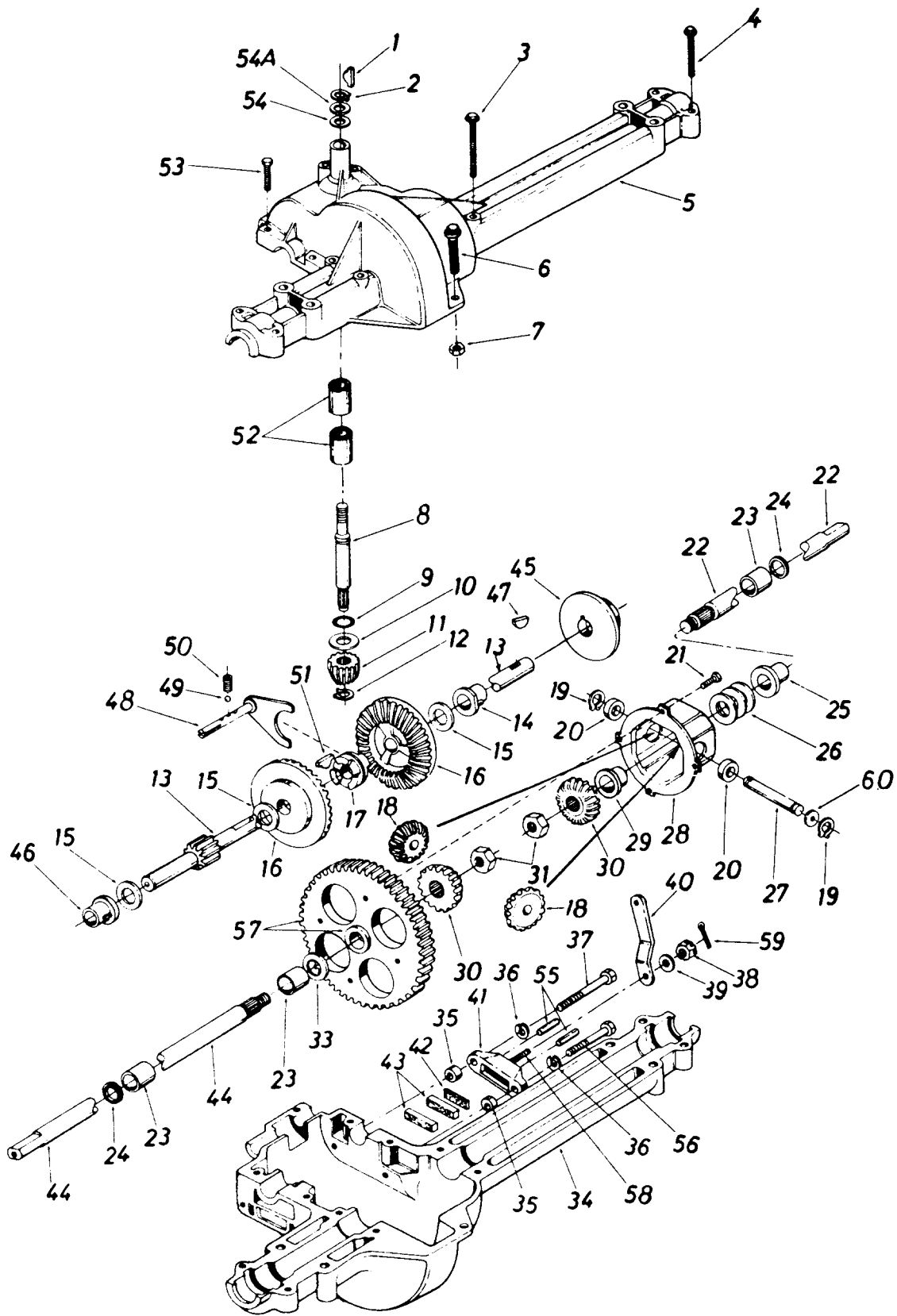




Ref No.	Part No.	Description
1	731-0220	Steering Wheel Cap
2	712-0237	Hex Cent L-Nut $\frac{5}{16}$ -24 Thd.
3	738-0242	Belleville Washer .345 ID
4	731-0806	Steering Wheel
5	731-0559	Steering Column
6	16512	Steering Column Ass'y.
7	741-0356	Flange Bearing .890 ID x 1.36 DE
8	712-0324	Hex Ins. L-Nut $\frac{1}{4}$ -20
9	736-0319	Fl. Washer .438 ID x 1.37 OD
10	738-0141	Shoulder Bolt .437 Dia. x .350
11	710-0152	Hex Bolt $\frac{3}{8}$ -24 x 1.00 Grade 5
12	736-0258	Flat Washer .385 x 1.00 x .135
13	750-0535	Spacer .380 ID x .625 OD x .227
14	736-0169	Flat Washer $\frac{3}{8}$ ID
15	710-0726	Hex Wash Hd AB Tapp Scr. $\frac{5}{16}$ x .75
16	711-0788	Steering Drag Link
17	14619A	Front Pivot Bracket
18	738-0527	Shld. Bolt .498 Dia. x 2.04 Lg. $\frac{3}{8}$ -16
19	712-0798	Hex Nut $\frac{3}{8}$ -16 Thd.
20	736-0169	Spring Lockwasher $\frac{3}{8}$
21	712-0237	Hex Cent L-Nut $\frac{5}{16}$ x 24
22	16481	Steering Arm Front Axle
23	710-0772	Hex Bolt $\frac{5}{16}$ -24 x 2.00 Lg. (Grade 5)
24	741-0225	Hex Flange Bearing .634 ID
25	14608	Pivot Bar Ass'y.
26	16479	Front Axle Ass'y. L.H.
27	712-0241	Hex Nut $\frac{3}{8}$ -24
28	736-0169	Spring Lockwasher $\frac{3}{8}$
29	723-0156	Ball Joint Ass'y. $\frac{3}{8}$ -24 Thd.
30	711-0613	Tie Rod
31	712-0711	Hex Nut $\frac{3}{8}$ -24
32	14650A	Front Axle Ass'y. R.H.
33	734-0998-500	Wheel Ass'y. Comp 15 x 6.00 Rib Tread
	734-0498	Tire Only
34	734-0997-500	Rim Only
	734-0255	Air Valve
	737-0146	Grease Fitting
35	741-0313	Bearing
36	736-0187	Flat Washer .640 ID x 1.54 OD
37	731-0484	Front Wheel Hub Cap (plastic front only)
38	714-0470	Cotter Pin $\frac{1}{8}$ Dia. x 1.25
39	736-0187	Fl-Washer .640 ID x 1.54 OD
40	726-0214	Push Cap $\frac{5}{8}$ " Dia. Rod
42	712-0241	Hex Nut $\frac{3}{8}$ -24 x .62
43	710-0538	Hex L-Bolt $\frac{5}{16}$ -18 x .62
44	736-0119	Spring Lockwasher $\frac{5}{16}$
45	736-0231	Flat Washer .344 ID x 1.125 OD x .125
46	750-0532	Hex Wash Hd AB Tap Screw $\frac{5}{16}$ x .62
47	712-0241	Hex Nut $\frac{3}{8}$ -24
48	736-0169	Spring Lockwasher $\frac{3}{8}$
49	712-0267	Hex Nut $\frac{5}{16}$ -18 Thd.
50	736-0119	Spring Lockwasher $\frac{5}{16}$
51	717-0622	Steering Gear Segment
52	741-0225	Hex Flange Bearing .630 ID
53	736-0187	Flat Washer .64 ID x 1.24 OD x .06
54	738-0522A	Steering Shaft Lower
55	710-0958	Hex Scr. $\frac{1}{4}$ -20 x 1.25
57	710-0837	Oval Hd. Cr.-Sunk Screw #10 x $\frac{5}{8}$ " Lg.
58	736-0271	Wave Washer .32" ID x .62
59	736-0187	Flat Washer .64 ID x 1.24 OD x .06
60	723-3018	Drag Link Ball Joint $\frac{3}{8}$ -24
62	737-0146	Grease Fitting (shown)
	737-3007	Grease - Dubois CL5350 .5 oz. (p/wheel)



Ref No.	Part No.	Description
1	16181	Spring Hanger Bracket
2	16212	Deck Engagement Lever Ass'y.
3	710-0323	Truss Mach. Scr. $\frac{5}{16}$ -18 x .75
4	710-0258	Hex Screw $\frac{1}{4}$ -20 x .62
5	712-0267	Hex Nut $\frac{5}{16}$ -18
6	714-0111	Cotter Pin $\frac{3}{32}$ Dia. x 1.00 Lg
7	720-0143	Grip
8	732-0531	Extension Spring .99 OD x 22.0" Lg.
9	736-0119	L-Washer $\frac{5}{16}$ ID
10	736-0160	Flat Washer .53 ID x .93 OD x .050
11	747-0491A	Drive Deck Control Rod
12	09735	Connecting Rod
13	16178	Deck Lift Link Ass'y.
14	16209	Deck Hanger Link Ass'y. Rear L.H.
15	16216	Deck Hanger Link Ass'y.
16	710-0118	Hex Bolt $\frac{5}{16}$ -18 x .75" Lg.
17	16345	Deck Hanger Link Ass'y. - Front R.H.
18	714-0101	Internal Cotter Pin
19	736-0160	Flat Washer .531 ID x .93 OD
20	16063	Adj. Link Deck Lifting
21	16342	Adj. Lower Link Ass'y.
22	712-0241	Hex Jam Nut $\frac{3}{8}$ -24
23	736-0169	L-Wash $\frac{3}{8}$ ID
25	16214	Diagonal Brace
26	16234	Stabilizer Shaft Ass'y.
27	711-0777	Stabilizer Rod
28	712-0798	Hex Jam Nut $\frac{3}{8}$ -16
29	714-0111	Int. Cotter Pin $\frac{3}{32}$ x 1" Lg.
30	714-0470	Cotter Pin $\frac{1}{8}$ " Dia. x 1.25
31	736-0117	Flat Washer .385 ID x .62 OD x .033
32	736-0156	Flat Washer .635 ID x 1.12 OD x .090
33	736-0169	L-Washer $\frac{3}{8}$ ID
34	738-0258	Shoulder Screw .500 Dia. x .25
36	08540	Knob
37	09721	Pivot Link Ass'y.
38	14602	R.H. Side Frame
39	14603D	L.H. Side Frame
40	16557	Index Bracket Deck Lift
41	16463	Lift Shaft Ass'y.
42	16465	Lift Handle Ass'y.
43	732-0498	Ext. Spring .56" ID x 32 Coils
44	712-0287	Hex Nut $\frac{1}{4}$ -20
45	736-0329	L-Wash $\frac{1}{4}$ ID
46	16223	Hitch Plate
47	710-0118	Hex Bolt $\frac{5}{16}$ -18 x .75" Lg.
48	710-0376	Hex Screw $\frac{5}{16}$ x 1.00
49	710-0604	Hex Wash Hd. Screw $\frac{5}{16}$ -18 x .62
51	712-0267	Hex Nut $\frac{5}{16}$ -18
52	720-0157	Grip
53	16369	Link 1.0 x 7.5 x .19
55	732-0307	Extension Spring
56	732-0412	Deck Lift - Down Stop
58	748-0176	Flange Brg. .630 ID
59	736-0119	L-Washer $\frac{5}{16}$ ID
60	736-0231	Flat Washer .344 ID x 1.125 OD x .125
61	736-0264	Flat Washer .344 ID x .625 OD x .063
62	736-0231	Flat Washer .344 ID x 1.125 OD x .125
63	738-0140	Shoulder Bolt .437 Dia x .180
64	738-0526	Running Board Rod
65	741-0313	Flange Bearing .632 ID
66	16315	Hitch Bar
68	16238	Gas Tank Housing - Main Frame
69	16239	Side Panel L.H. - Gas Tank
70	16240	Side Panel - R.H. - Gas Tank
71	710-0351	Truss Mach B-Tapp Scr #10 x .50
72	726-0207	Hose Clamp .406" Dia.
73	731-0511	Trim Strip - Inches
74	751-0173	Gas Line Black Vinyl #LC-162-D2
75	751-0226	Fuel Gauge
76	751-0403	Gas Tank
77	726-0175	Hose Clamp
78	714-0507	Cotter Pin $\frac{3}{32}$ " Dia. x .75" Lg.
79	710-0599	Hex Wash Hd. Tap Screw $\frac{1}{4}$ " x .50" Lg.
80	710-0959	Hex Bolt $\frac{5}{16}$ -18 x 1.50" Lg.
81	736-0159	Flat Washer .344" ID x .875 OD
82	712-0247	Speed Nut
83	722-0155-2	Foam Strip $\frac{3}{8}$ " x .75 x 7" Lg.

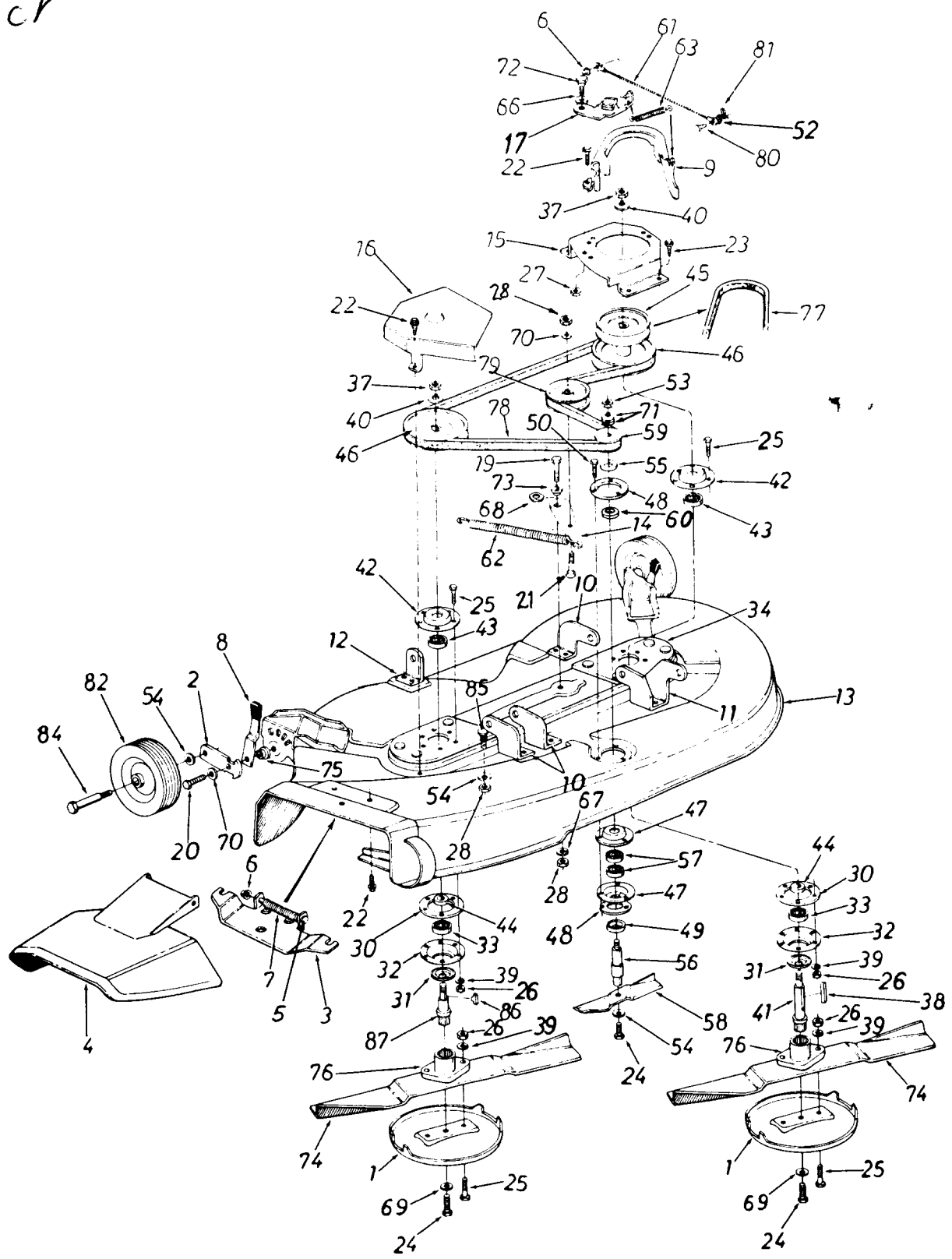


SINGLE SPEED TRANSAXLE  
MODEL 717-1050

Ref No.	Part No.	Description
1	714-0129	#4 Hi-Pro Key $\frac{3}{32}$ x $\frac{5}{8}$ Dia. Hardened
2	716-0115	Snap Ring for $\frac{5}{8}$ Shaft
3	710-0854	Hex Bolt $\frac{1}{4}$ -20 x 1.75" Lg.
4	710-0809	Hex Bolt $\frac{1}{4}$ -20 x 1.25" Lg.
5	717-0764	Upper Housing
6	710-0889	Hex Tap Screw $\frac{1}{4}$ -20 x .75
7	712-0287	Hex Nut $\frac{1}{4}$ -20 Thd.
8	717-0634	Input Shaft
9	721-0178	Square Seal $\frac{5}{8}$ " ID
10	736-0335	Thrust Washer $\frac{5}{8}$ " ID x 1.25 OD
11	717-0633	Pinion Input 14T
12	716-0108	Snap Ring for .438 Dia. Shaft
13	717-0758	Drive Shaft - R.H.
14	741-0336	Flange Bearing $\frac{5}{8}$ ID x $\frac{3}{4}$ " Lg.
15	**	Flat Washer See Below
16	717-0757	Bevel Gear 42T
17	717-0667	Clutch Collar
18	717-1020	Miter Gear 15T
19	716-0142	Snap Ring
20	717-0690	Thrust Bearing $\frac{1}{2}$ " ID x 1.0 OD
21	710-0862	Pan Hd. Scr. $\frac{1}{4}$ -20 x .50" Lg. w/patch
22	717-1012	Axle - R.H.
23	741-0340	Sleeve Bearing $\frac{3}{4}$ " ID x 1.0 Lg
24	721-0179	Oil Seal $\frac{3}{4}$ " ID
25	741-0339	Flange Bearing $\frac{3}{4}$ " Id x $\frac{15}{16}$
26	736-0188	Flat Washer .76 ID x 1.49 OD x .06 Thk.
27	717-0673	Cross Shaft
28	717-0777	Housing Differential
29		Comes w/Ref. #28
30	717-1019	Miter Gear
31	712-0200	Hex Ins. L-Nut $\frac{1}{2}$ -20
33	736-0188	Flat Washer .76 ID x 1.49 OD x .06
34	717-0761	Lower Housing
35	750-0555	Spacer .53 OD x $\frac{3}{8}$ " Lg.
36	736-0329	Lockwasher $\frac{1}{4}$ "
37	710-0886	Hex Bolt $\frac{1}{4}$ -20 x 1.50" Lg. (Grade 5)
38	712-0335	Castle Nut $\frac{5}{16}$ -24 Thd.
39	736-0159	Flat Washer .344 ID x .88 OD x .062
40	717-0700	Actuating Arm - R.H.
41	717-0679	Brake Yoke
42	717-0682	Puck Plate
43	717-0678	Brake Puck
44	717-1011	Axle - L.H.
45	717-0677	Brake Disc
46	741-0337	Flange Bearing $\frac{5}{8}$ ID x $\frac{5}{16}$
47	714-0161	Woodruff Key $\frac{3}{16}$ x $\frac{5}{8}$ HT
48	717-0754	Shift Fork Ass'y.
49	741-0862	Ball Detent .250 Dia.
50	732-0863	Spring Detent
51	714-0169	#9 Hi-Pro Key $\frac{3}{16}$ x $\frac{3}{4}$ Dia. Hardened
52	741-0335	Needle Bearing $\frac{5}{8}$ ID x $\frac{1}{2}$ " Lg.
53	710-0855	Hex Bolt $\frac{1}{4}$ -20 x 1.00" Lg.
54	736-0336	Fl. Washer $\frac{5}{8}$ Id x .030
54A	736-0337	Fl. Washer $\frac{5}{8}$ ID x .040
55	741-0343	Actuating Pin $\frac{5}{16}$ Dia.
56	710-0886	Hex Bolt $\frac{1}{4}$ -20 x 1.50" Lg. (Grade 5)
57	717-0767	Differential Gear 72T (w/bearing)
58	717-0681	Sq. Hd. Bolt $\frac{5}{16}$ -24
59	712-0256	Hex Jam Nut $\frac{5}{16}$ -24 Thd.
60	736-0369	Fl. Washer .50 ID x 1.0 OD x .02

\*\* Ref. No. 15 736-0349 Fl. Washer  $\frac{5}{8}$  ID x 1.0 OD  
736-0336 Fl. Washer  $\frac{5}{8}$  ID x .030 OD  
736-0337 Fl. Washer  $\frac{5}{8}$  ID x .040 OD

695  
Deck



R.H. Spindle Ass'y.  
717-0618

717-0619  
CENTRE  
SPINDLE

L.H. Spindle Ass'y.  
717-0617

Ref No.	Part No.	Description
1	07919	Anti-Scalp Plate
2	10937	Wheel Pivot Bar
3	11396	Adapter
4	11574	Chute Cover Ass'y. Complete
5	711-0571	Pivot Pin
6	726-0106	Push Cap
7	732-0261	Torsion Spring
8	14082	Spring Lever Ass'y.
9	14258	Belt Guard
10	16175	Deck Hanger Bracket
11	16176	Butterfly Bracket
12	16180	Deck Hanger Bracket
13	16231	44" Deck Ass'y.
14	16331	Idler Bracket
15	16333A	Pulley Cover - L.H.
16	16334	Pulley Cover - R.H.
17	16337	Spindle Brake Arm Ass'y.
19	710-0152	Hex Screw 3/8-24 x 1.00
20	710-0191	Hex Screw 3/8-24 x 1.25
21	710-0459	Hex Screw 3/8-24 x 1.50
22	710-0599	Hex Wash St-Tapp Screw 1/4-20 x .50
23	710-0726	Hex Wash Hd AB Tap Scr 5/16 x .75
24	710-0877	Hex Cent. L-Bolt 3/8-24 x .88
25	710-0888	Hex Bolt 7/16-24 x 1.00
26	712-0123	Hex Nut 5/16-24
27	712-0158	Hex Cent. L-Nut 5/16-18
28	712-0241	Hex Nut 3/8-24
30	09164	Reinforcement Plate
31	13703	Bearing Shield
32	15296	Open Bearing Hsg.
33	741-0919	Ball Bearing .787 ID x 1.85 OD x .56
34	16349	Spindle Mounting Plate Ass'y.
37	712-0318	Hex Jam Nut 5/16-18
38	714-0168	Sq. Key 3/16 x 1.5
40	736-0317	Belleville Washer 5/8" ID x 1.25 OD
41	738-0632	44" Deck Blade Spindle
42	08253	Bearing Housing
43	741-0919	Ball Bearing .787 ID x 1.85 OD x .56
44	750-0456	Spacer .80 ID x 1.0 OD
45	756-0329	3/8" V-Pulley .79 ID x 5.75 OD
46	756-0470	V-Pulley .79 ID x 6.50 OD
47	15319	1 3/8" ID - Bearing Housing
48	16348	Reinforcement Plate
49	16400	Bearing Shield
50	710-0947	Hex Screw 1/4 x .75" Lg.
52	736-0142	Flat Washer .28 ID x .50 OD
53	712-0922	Hex Nut 1/2-20
54	736-0105	Belleville Washer .400 ID x .88 OD x .06
55	736-0162	Flat Washer .635 ID x 1.00 OD x .120
56	738-0627	6.5" Blade Spindle
57	741-0155	Ball Bearing .62 ID x 1.38 OD x .43
58	742-0252	6.50" Blade
59	756-0468	1/2" V-Pulley Half .625 ID x 2.25 OD
60	736-0302	Fl. Washer 5/8" ID x 1 5/16" OD
61	727-0290	Brake Cable 11.0" Lg.
62	732-0121	Idler Extension Spring
63	732-0395	Extension Spring .50 x 2.51" Lg.
66	736-0141	Spr. Washer .445 ID x .75 OD x .017
68	736-0174	Wave-Washer .660 ID x .88 OD x .010
69	736-0217	Lockwasher Heavy 3/8" ID
70	736-0105	Belleville Washer .400 ID x .88 OD x .06
71	736-0253	Belleville Washer .505 ID x 1.00 OD x .075
72	738-0140	Shoulder Bolt .437 Dia x .180
73	738-0347	Shoulder Spacer
74	742-0295	21" Blade
75	748-0279	Shoulder Spacer
76	748-0300	Blade Adapter
77	754-0229	"V" Belt .50" x 52" Lg.
78	754-0293	"V" Belt 1/2" x 74.0" Lg.
79	756-0365	Flat Idler Pulley 3.50" OD
80	711-0701	Clevis Pin 1/4 x 1/2
81	714-0104	Int. Cotter Pin 5/16 Dia.
82	734-0974	Wheel Ass'y. Complete 6" (Deck)
84	738-0455	Shld. Screw .498 Dia x 1.53" Lg. 3/8-16
85	710-0617	Rd. Hd. Ribbed Neck Screw 3/8-24 x 1.0
86	714-0122	Square Key 3/16 x 3/4
87	738-0633	44" Deck Blade Spindle

736-0119

41 38

# **SEARS** *owner's manual*

**MODEL No.  
C459•60416**

**SEARS**  
**SERVICE**  
*is at*  
**YOUR**  
**SERVICE**

Serial  
Number \_\_\_\_\_  
Model and Serial Number  
may be found on the number  
plate on top of the rear  
frame assembly.

You should record both  
Model and Serial Number  
and keep in a safe place for  
future reference.

## **HOW TO ORDER REPAIR PARTS**

Each LAWN TRACTOR has its own MODEL NUMBER  
Each ENGINE has its own MODEL NUMBER

The MODEL NUMBER for the LAWN TRACTOR will be found  
on the rear frame assembly.

The MODEL NUMBER for the ENGINE will be found on the  
BLOWER HOUSING.

Always mention these MODEL NUMBERS when requesting  
service or repair parts for your LAWN TRACTOR.

All parts listed herein may be ordered through SEARS  
CANADA INC., RETAIL or CATALOG STORES and SERVICE  
CENTERS. If the parts you need are not stocked locally your  
order will be electronically transmitted to a SEARS Parts  
Distribution Center for expedited handling.

When ordering parts by mail, selling prices will be furnished  
on request or parts will be shipped at prevailing prices and you  
will be billed accordingly.

**WHEN ORDERING REPAIR PARTS, ALWAYS GIVE THE  
FOLLOWING INFORMATION:**

1. The PART NUMBER
2. The PART DESCRIPTION
3. The MODEL NUMBER - C459•60416
4. The NAME OF THE ITEM. 16 HP 44" LAWN TRACTOR
5. The ENGINE MODEL NUMBER - 402707-0241-01

Your Sears Merchandise takes on added value when you  
discover that Sears has Service Units throughout the coun-  
try. Each is staffed by Sears-trained, professional techni-  
cians using Sears approved methods.



**SEARS**

**manuel  
du client**

**Numéro  
de modèle  
C459•60416**

**IMPORTANT:  
Lisez  
attentivement  
les instructions  
et les règles  
de sécurité  
pour l'utilisation.**



**SEARS / CRAFTSMAN**

**TRACTEUR DE JARDIN  
16 HP 44 PO**

- Assemblage
- Fonctionnement
- Entretien
- Pièces de rechange

**SEARS CANADA INC., Toronto, Ontario M5B 2B8**

# Équipement de JARDIN de qualité CRAFTSMAN

Nous vous félicitons de l'acquisition de ce tracteur de jardin Sears qui a été étudié, conçu et fabriqué pour donner de nombreuses heures de fonctionnement sûr et satisfaisant s'il fait l'objet d'un entretien convenable. Pour travailler avec un maximum de sécurité, se conformer aux instructions D'ASSEMBLAGE, D'UTILISATION ET D'ENTRETIEN. En cas de difficulté à laquelle on ne parvient pas à remédier, se mettre en rapport avec le magasin centre de service Sears le plus proche qui dispose de techniciens compétents et qualifiés et des outils adaptés à la réparation de ce tracteur.

## GARANTIE DE DEUX ANS VOTRE TRACTEUR CRAFTSMAN

*Si votre tracteur s'arrête de fonctionner par suite d'un défaut de matière ou de fabrication, dans les deux années qui suivent la date d'achat, SEARS réparera gratuitement votre machine.*

*Si le tracteur est destiné à la location ou à des besoins commerciaux, il ne sera garanti que pendant 90 jours, à partir de la date d'achat.*

**DANS LE CAS D'UN PROBLÈME ENTRANT DANS LE CADRE DE CETTE GARANTIE, VEUILLEZ COMMUNIQUER AVEC LE MAGASIN OU CENTRE DE SERVICE SEARS LE PLUS PROCHE PARTOUT AU CANADA.**

*Cette garantie surcroît n'importe quelle garantie réglementaire.*

SEARS CANADA INC.  
222 JARVIS STREET  
TORONTO, ONTARIO M5B 2B8

## Garantie du Moteur

À partir de deux ans de la date d'achat, Sears Canada Inc., remplacer a gratuitement, toute pièce (ou pièces) trouvée, après l'examen, être défective dans des conditions de service et d'utilisation normales, par cause de défauts de matériaux et d'ouvrage.

Une garantie ultérieure sur les systèmes de démarrage magnétron est prolongée à 5 ans. Les conditions sont comme suit:

5 ans pour pièces et travail

Cette garantie est annulée si ce module fût abusé.

Un agrément de maintien moderne et à prix modéré est disponible avec ce produit. Pour prolonger la garantie, raportez-vous à votre magasin Sears le plus proche.

Conformation aux régulations des interférences de radio est certifiée, remplacez les bougies avec des bougies à résisteur seulement.

## TABLE DES MATIÈRES

GARANTIE .....	2	ENTRETIEN .....	11
RÈGLES DE SÉCURITÉ .....	3	Changement d'huile, filtre à air	
INSTRUCTIONS AVANT LE DÉMARRAGE.	4	Filtre d'essence, lames de coupe	
UTILISATION .....	5	LUBRIFICATION .....	13
Démarrage .....	5	RÉGLAGES .....	13
Arrête .....	6	REMISAGE HORS-SAISON .....	19
RÈGLES POUR L'UTILISATION		TABLEAU DES PANNES POSSIBLES ....	20
EN TOUTE SÉCURITÉ .....	6	PIÈCES DE RECHANGE DU MOTEUR ...	22
ASSEMBLAGE .....	8	PIÈCES DE RECHANGE .....	27
Batterie .....	9		
Volant .....	10		
Siège .....	11		

# BIEN CONNAÎTRE VOTRE TRACTEUR DE JARDIN

LIRE CETTE NOTICE D'EMPLOI ET D'ENTRETIEN EN ENTIER AVANT D'EMPLOYER LE TRACTEUR. Une bonne connaissance du tracteur et de son fonctionnement est essentielle pour obtenir les meilleurs résultats. En lisant la notice, comparer les illustrations avec le tracteur lui-même pour se familiariser avec l'emplacement des commandes et des points de réglage. Etudier en détail les indications de fonctionnement et les règles de sécurité pour assurer le bon fonctionnement du tracteur et afin de prévenir tout accident corporel à vous-même ainsi qu'aux autres. Garder cette notice pour pouvoir y référer à l'avenir.

## COMMANDES

### OBTURATEUR

L'obturateur sert à régler le régime du moteur et à faire fonctionner le volet de départ. Pour obtenir de meilleurs résultats lors de la coupe, placez l'obturateur à la position RAPIDE. Voir la figure 1.

### LEVIER DE CHANGEMENT DE VITESSE

Il sert à passer d'«AVANT», au «POINT MORT» ET EN «MARCHE ARRIÈRE». Voir la figure 1.

Pour changer de vitesse, la pédale d'embrayage frein doit être enfoncée et le tracteur doit être à l'arrêt. Ne forcez pas le levier de vitesse. Relâchez doucement la pédale d'embrayage/frein pour aligner la gorge de planétaire de la transmission. Essayez à nouveau de changer de vitesse.

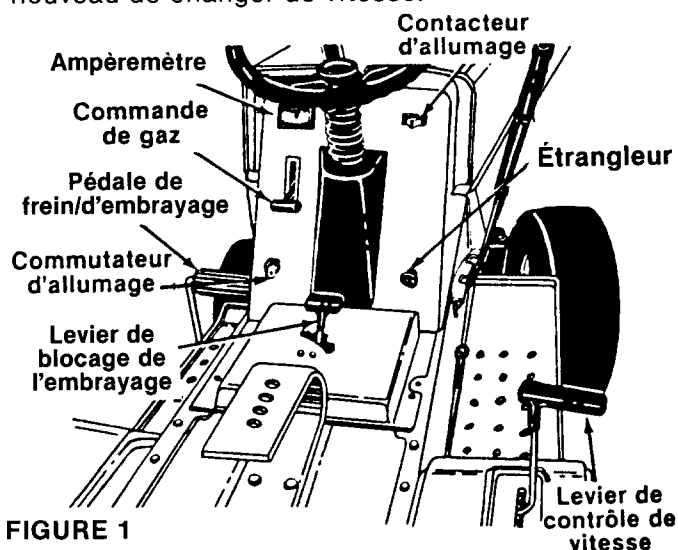


FIGURE 1

### ÉTRANGLEUR

L'étrangleur est placé sur la droite du tableau de bord et il est commandé manuellement. Tirez sur l'étrangleur. Lorsque le moteur démarre, enfoncez doucement l'étrangleur pendant que le moteur chauffe. Voir figure 1.

### COMMUTATEUR D'ALLUMAGE

Pour faire démarrer le moteur, tournez la clé sur la position «DÉMARRAGE» (START). Lorsque le moteur

tourne, laissez la clé retourner sur la position «MARCHE» (ON). Pour arrêter le moteur, tournez la clé vers la gauche, sur la position «ARRÊT» (STOP) et retirez-la pour éviter tout démarrage accidentel. Voir figure 1.

### LEVIER DE RÉGLAGE DE LA VITESSE

Il permet de régler la vitesse de déplacement du tracteur. Voir la figure 1. Utilisez l'une des six positions. Pour régler le levier, appuyez sur la pédale d'embrayage/frein, enfoncez le levier de réglage et tirez-le pour ralentir, poussez-le pour accélérer. Une fois la vitesse désirée obtenue, lâchez le levier. Chaque fois que l'embrayage sera engagé, le tracteur se déplacera automatiquement à la vitesse pré-réglée.

### COMMUTATEUR D'ÉCLAIRAGE

Poussez l'interrupteur pour allumer les phares' ceux-ci ne fonctionnent que lorsque le moteur tourne. Voir figure 1.

### AMPÈREMÈTRE

L'ampèremètre enregistre la rapidité de charge ou de décharge de la batterie. L'aiguille de l'ampèremètre doit se trouver de côté (+) lorsque le moteur tourne au régime RAPIDE jusqu'à ce que la batterie soit complètement chargée.

Si la batterie est chargée ou si le moteur tourne au ralenti, l'ampèremètre peut ne pas indiquer de charge. Voir la figure 1.

### PÉDALE DE FREIN/EMBRAYAGE

Elle se trouve sur la gauche du tracteur. Le fait d'enfoncer à moitié la pédale de frein/embrayage libère l'embrayage et enclenche le frein à disque. Voir la figure 2.

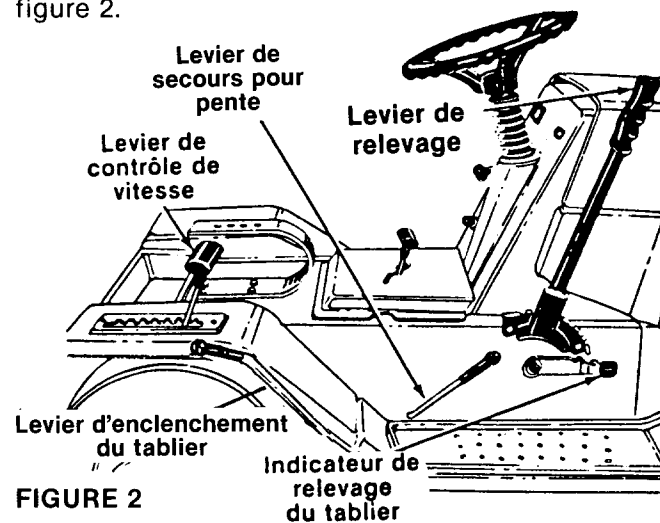


FIGURE 2

### REMARQUE

La pédale de frein/embrayage doit être enfoncée lors du démarrage du moteur.

### FREIN DE STATIONNEMENT

Utilisez le levier de réglage de la vitesse et enfoncez la pédale d'embrayage/frein. Enfoncez le levier et tirez-le à fond. Relevez le levier et relâchez la pédale. Pour desserrer le frein de stationnement, appuyez sur la pédale d'embrayage/frein, appuyez sur le levier et placez-le à la position désirée. Lâchez le levier et la pédale.

## FREIN POUR STATIONNEMENT SUR PENTE

Si vous devez vous arrêter sur une pente, maintenez la manette du frein d'appoint en relâchant la pédale de frein/embrayage jusqu'à ce que le tracteur commence à avancer. Relâchez la manette. Celle-ci permet d'effectuer des démarrages en douceur et d'enclencher l'embrayage pendant le relâchement de la pédale. Voir la figure 2.

## DISPOSITIFS DE BLOCAGE (non illustrés)

Les dispositifs de blocage de sécurité sont situés sur la pédale de frein/embrayage, sur la manette d'enclenchement de la lame et sur le levier de vitesses.

Appuyez à fond sur la pédale de frein/embrayage et placez la manette d'enclenchement de la lame à la position non engagée avant de faire démarrer le moteur.

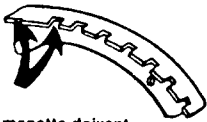
**Avant de passer en marche arrière, placez la manette de relevage et de désenclenchement en position non engagée.**

## MANETTE DE RELEVAGE

Elle se trouve sur le côté droit de la machine et sert à relever et à abaisser le tablier de coupe et les autres accessoires. Déplacez la manette vers la droite, puis vers l'avant ou vers l'arrière jusqu'à l'obtention de la position désirée et relâchez la manette. Voir la figure 2.

### ➔ REMARQUE

Cette manette sert également à enclencher et à désenclencher la vis sans fin de la souffleuse.



Les bords de la manette doivent se trouver dans ces fentes pour la position de désenclenchement.



Les bords de la manette doivent se trouver dans ces fentes pour la première position d'enclenchement.

FIGURE 3A

FIGURE 3B

**REMARQUE: LES DEUX BORDS DE LA MANETTE DOIVENT SE TROUVER DANS LES FENTES À LA PREMIÈRE POSITION D'ENCLENCHEMENT.**

**INDICATEUR DE RELEVAGE DU TABLIER.** Il indique la position utilisée pour la manette de relevage. Choisissez la position désirée, poussez l'indicateur vers l'extérieur et placez-le à la position juste en dessous de la manette. Relâchez la manette de l'indicateur. Voir la figure 2.

## LEVIER D'ENGRÈMENT DE LA LAME

Le levier d'engrènement de la lame est situé à côté du pare-choc droit. Poussez le levier vers l'avant pour engrener les lames. Tirez le vers l'arrière du module pour prévenir les lames de tourner.

Le levier d'engrènement de la lame doit être à la position désengagée avant de faire démarrer l'engin.

**DISPOSITIF DE RÉGLAGE DE LA HAUTEUR DES ROUES.** Déplacez la manette vers la roue et réglez-la à la hauteur voulue. Voir la figure 4.

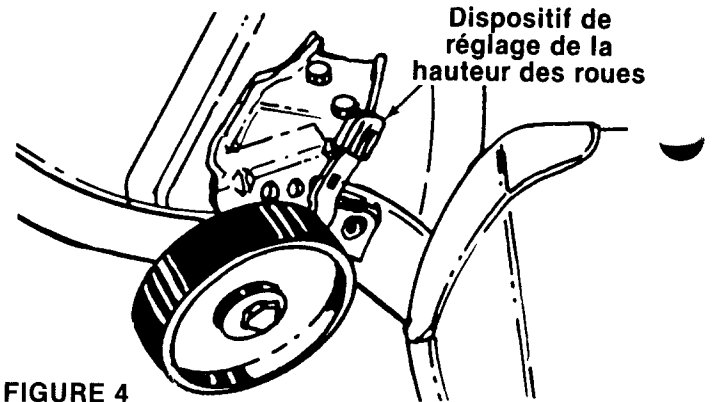


FIGURE 4

1. Choisissez la position de la manette de relevage correspondant à la hauteur de coupe désirée. Déplacez l'indicateur pour que la manette de relevage puisse reprendre sa position originale.
2. Réglez les dispositifs de réglage de la hauteur des roues sur le tablier de façon que les roues se trouvent entre  $\frac{1}{4}$  et  $\frac{1}{2}$  po du sol.

### ➔ REMARQUE

Le réglage des roues de cette tondeuse empêche l'arrachage du gazon en cas de terrain irrégulier. Si l'arrachage persiste, abaissez les roues. Voir la figure 4.

## INSTRUCTIONS AVANT LE DÉMARRAGE

### PRESSIION DES PNEUS

Les pneus ont peut-être trop gonflés pour l'expédition. Réduisez la pression des pneus avant d'utiliser le tracteur. La pression recommandée est de 7-15 lb/po<sup>2</sup>.

Vérifiez la pression maximale, recommandée par le fabricant du pneu, inscrite sur le flanc de celui-ci. Si ce renseignement ne figure pas sur vos pneus, souvenez-vous que la pression maximale doit toujours être inférieure à 30 lb/po<sup>2</sup>. Conservez une pression égale sur tous les pneus.

### ➔ REMARQUE

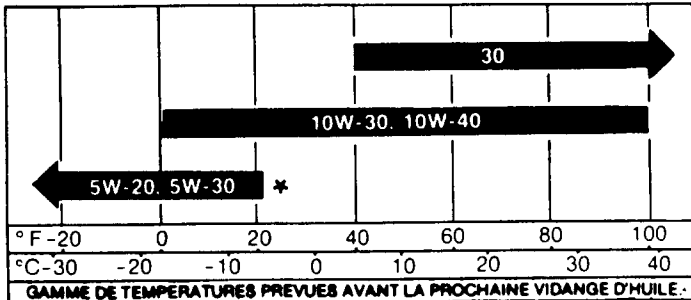
Pour soulever le capot, il suffit de relever les deux côtés du capot.

1. **Avant de faire démarrer le moteur,** vérifiez le niveau d'huile du carter. Utilisez une huile détergente de toute première qualité classifiée «Pour service SF, SE, SD ou SC». Il ne faut rien ajouter d'autre à l'huile. Assurez-vous que le moteur est de niveau.
2. Avant d'enlever la jauge à huile, nettoyez bien la surface autour du trou de remplissage. **GOULOT DE REMPLISSAGE** - Enlevez le bouchon et la jauge à huile. **REMP LISSEZ** jusqu'au repère «PLEIN» sur la jauge. **VERSEZ LENTEMENT.** Le carter a une capacité de 48 oz (1,4 litre) environ. Lorsque vous vérifiez le niveau d'huile, vissez la jauge lentement mais à fond jusqu'à ce que le bouchon touche le tube. **NE REMPLISSEZ PAS EXCESSIVEMENT.**

La jauge doit toujours être bien enfoncée dans le tube quand le moteur tourne.

- Faites le plein du réservoir de carburant avec une ESSENCE AUTOMOBILE SANS PLOMB, PROPRE ET FRAÎCHE. (L'essence ordinaire est un substitut acceptable).

## VISCOSITÉS SAE RECOMMANDÉES



\* Si vous ne pouvez vous les procurer, utilisez une huile synthétique de viscosité 5W-20, 5W-30 ou 5W-40.

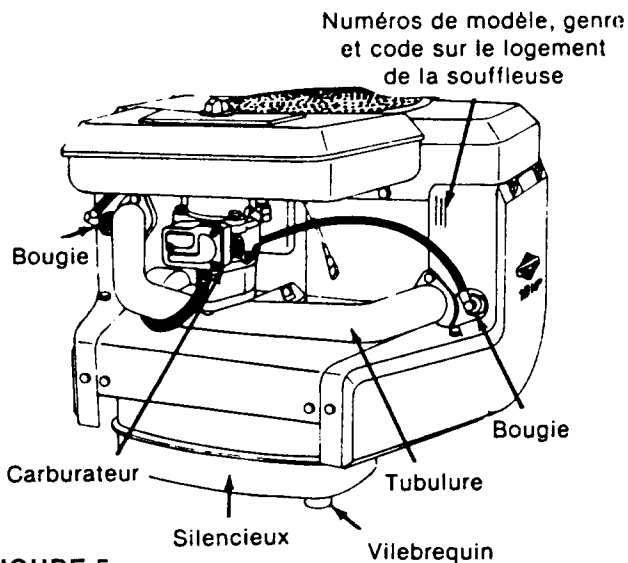


FIGURE 5

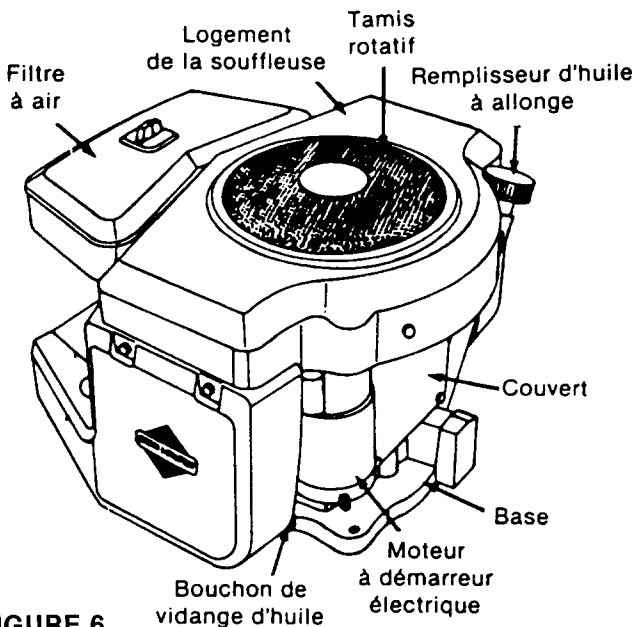


FIGURE 6

## REMARQUE

Utilisez de l'huile et du carburant propres et rangez-les dans des contenants approuvés. Servez-vous d'entonnoirs propres.

## UTILISATION

### RESPONSABILITÉS DE L'UTILISATEUR

Lisez et respectez les conseils de sécurité voir la page 7. Faites toujours très attention en utilisant le tracteur de jardin. Restez éloigné des pièces mobiles.

NE TRAVAILLEZ sur le tracteur de jardin lorsque le moteur tourne. Faites toujours très attention en utilisant le tracteur de jardin. Maintenez le tracteur de jardin propre.

Entretenez votre tracteur de jardin régulièrement et consultez le chapitre d'entretien pour que votre machine puisse fonctionner efficacement et en toute sécurité. Un tracteur de jardin bien entretenu durera plus longtemps et fonctionnera plus efficacement.

### ATTENTION

- Laissez les dispositifs protecteurs et les carters en place.
- Avant de quitter le poste de conduite:
  - Mettez le levier de commande au point mort.
  - Serrez le frein de stationnement (frein verrouillé).
  - Désaccouplez l'entraînement de l'accessoire.
  - Arrêtez le moteur.
  - Enlevez la clé du contacteur.
- Attendez que toutes les pièces mobiles soient complètement arrêtées avant d'effectuer des réparations sur la machine.
- Regardez derrière vous avant de reculer.

### DÉMARRAGE DU MOTEUR

- Utilisez l'huile à moteur et l'essence recommandées dans «Instructions avant le démarrage».
- Appuyez sur la pédale de frein/embrayage et serrez le frein de stationnement.
- Placez la manette d'enclenchement de la lame à la position NON ENGAGÉE. Voir la figure 1.

## REMARQUE

Cette machine est munie d'un système de blocage de sécurité qui a pour but d'empêcher le moteur de tourner ou de démarrer si la pédale de frein/embrayage n'est pas enfoncée et si la manette d'enclenchement de la lame ne se trouve pas à la position non engagée. De plus, la manette d'enclenchement de la lame doit être débrayée lorsque la machine est en position de marche arrière, ou si le sac récupérateur d'herbe n'est pas en place, sinon le moteur s'arrêtera.



## AVERTISSEMENT

Ne faites pas fonctionner ce tracteur si le système de verrouillage n'est pas en bon état puisque ce dispositif de sécurité est conçu pour votre protection.

- Réglez l'obturateur à la position «VOLET DE DÉPART». Voir la figure 1.
- Tournez la clé du contacteur sur la position «DÉMARRAGE» (START). Lorsque le moteur tourne, laissez la clé retourner sur la position «MARCHE» (ON). Voir figure 1.
- Placez l'obturateur au régime du moteur désiré.

### FONCTIONNEMENT DU TABLIER DE COUPE

- Réglez-le à la hauteur de coupe désirée.
- Faites démarrer le moteur conformément aux instructions.
- Déplacez l'obturateur pour que le moteur tourne aux  $\frac{3}{4}$  ou à plein régime pour empêcher tout effort du moteur et pour utiliser les lames.
- Le levier de vitesses doit se trouver à la position «Marche avant» ou «Marche arrière».



### ATTENTION

Regardez derrière avant de reculer.

- Relâchez le frein de stationnement en appuyant sur la pédale d'embrayage/frein et sur le levier de réglage de la vitesse que vous placerez à la position désirée.

### REMARQUE

Utilisez la première vitesse lorsque vous employez le tracteur de jardin pour la première fois.

- Relâchez doucement la pédale de frein/embrayage pour faire avancer la machine.

### REMARQUE

NE PAS forcer sur le levier de vitesses.

- Le tracteur s'arrête lorsque la pédale de frein/embrayage est enfoncée.



### ATTENTION

Si la machine ne doit pas être utilisée pendant une période prolongée, placez le levier de vitesse au POINT MORT, arrêtez le moteur, serrez le frein de stationnement et enlevez la clé. NE laissez PAS la machine sur une pente.

### UTILISATION DES LAMES DE COUPE

Vous pouvez embrayer les lames de coupe lorsque la tondeuse se déplace ou qu'elle est à l'arrêt. Ne les

embrayez pas brutalement, la tension soudaine de la courroie sur la poulie pouvant faire caler le moteur.

### REMARQUE

Dans les herbes hautes, engrenez les lames à la position de coupe la plus haute, puis abaissez-les à la hauteur de coupe désirée.

### REMARQUE

Si le tracteur devrait caler lorsque vous tondez, ou en utilisant tout autre attachements, démarrez à nouveau et continuez à la vitesse à laquelle le moteur à caler, ou une vitesse plus basse.



## AVERTISSEMENT

Lorsque l'entraînement de la lame est engagé, éloignez les pieds et les mains de l'ouverture d'évacuation, des lames ou de toute autre partie du tablier.

Placez la manette d'enclenchement de la lame à la position NON ENGAGÉE.

### REMARQUE

En cas d'utilisation du tracteur pour un autre travail, déclenchez toujours l'entraînement des lames.

### POUR ARRÊTER LE MOTEUR

Pour arrêter le moteur, quel que soit le modèle, tournez la clé vers la gauche sur la position «ARRÊT» et retirez-la pour éviter tout démarrage accidentel.

### REMARQUE

Une courte période de rodage est indispensable pour assurer une durée maximale du moteur et de la tondeuse. Pour cela, faites tourner le moteur à mi-régime pendant une période de temps suffisante pour vider un réservoir d'essence. Il est également recommandé de changer l'huile du carter après les deux premières heures de fonctionnement.

### IMPORTANT

Arrêtez le moteur après avoir heurté un objet quelconque. Débranchez le fil de la bougie et vérifiez à fond que la tondeuse n'est pas endommagée. Réparez les dégâts éventuels avant de remettre le tablier de coupe en route.

Vérifiez que tous les cailloux, morceaux de bois, fil de fer et autres débris risquant d'endommager le tracteur ou son moteur ont été enlevés. Vous obtiendrez de meilleurs résultats et une répartition plus uniforme de l'herbe si vous ne la tondez pas quand elle est trop mouillée.



## AVERTISSEMENT

Veuillez respecter les conseils de sécurité suivants afin de diminuer les risques de blessures. Le non-respect de ces instructions peut entraîner des blessures corporelles.

# RÈGLES POUR L'UTILISATION EN TOUTE SÉCURITÉ DES TONDEUSES À SIÈGE

- Il est conseillé de lire ce manuel au complet avant d'essayer d'assembler ou d'utiliser l'appareil.

Conservez-le dans un endroit sûr afin de vous y reporter ultérieurement et pour commander des pièces de rechange.

2. Cette machine est un appareil de précision, et non pas un jouet. Soyez extrêmement prudent chaque fois que vous l'utilisez.
3. Soyez certain de bien connaître toutes les commandes et de savoir comment les arrêter rapidement. LISEZ LE LIVRET DU PROPRIÉTAIRE.
4. Ne laissez pas les enfants manoeuvrer l'appareil ni les adultes s'en servir s'ils ne savent pas comment. Seules des personnes connaissant très bien ces règles de sécurité doivent utiliser la tondeuse.
5. Il est déconseillé à quiconque en état d'ébriété ou prenant des médicaments ralentissant les réactions d'utiliser la tondeuse.
6. Portez des chaussures solides à semelle épaisse et des pantalons et chemise bien ajustés pour éviter qu'ils ne se prennent dans les pièces mobiles. N'utilisez jamais la machine si vous êtes pieds nus ou si vous portez des sandales ou chaussures de tennis.
7. Évitez tout risque d'accident. Ne transportez pas de passager. Tenez les enfants et animaux à distance pendant que vous tondez l'herbe. Seul le conducteur doit se trouver sur la machine.
8. Vérifiez les dégagements avant de passer sous des fils ou câbles électriques, des ponts ou branches, avant d'entrer ou de sortir des bâtiments ou dans toute autre situation où le conducteur peut être bloqué ou sorti de la machine, ce qui peut entraîner des blessures graves.
9. Conduisez doucement pour bien contrôler la machine et limiter les risques d'accident ou de collision. Évitez de conduire brusquement et trop vite.
10. Aucune personne, et en particulier les petits enfants, ne doit se tenir près de la machine pendant qu'elle fonctionne. Cette condition concerne également les petits animaux. Arrêtez le moteur lorsqu'ils approchent de la tondeuse. Bien que l'endroit à tondre doit être débarrassé de tout objet, un petit objet peut avoir été oublié et risque d'être projeté accidentellement par la tondeuse dans n'importe quelle direction.
11. Débarrassez la partie à tondre de tout objet pouvant être ramassé et projeté par la tondeuse.
12. Arrêtez les lames pour traverser des allées, sentiers ou routes de gravier.
13. Mettez tous les embrayages des accessoires, ainsi que le levier de changement de vitesse, au point mort avant de mettre le moteur en route.
14. Mettez la prise de force des accessoires au point mort et arrêtez le moteur avant de quitter le poste de commande.
15. Ne placez pas vos mains ou pieds à proximité ou en dessous des pièces mobiles. Éloignez-vous toujours de l'ouverture de la goulotte car les lames peuvent causer des blessures.
16. Mettez la prise de force des accessoires au point mort et arrêtez le moteur avant d'effectuer des réparations ou réglages. Débranchez le fil de la bougie et tenez-le éloigné de celle-ci afin d'éviter un démarrage accidentel.
17. Arrêtez le moteur avant d'essayer de déboucher la tondeuse ou la goulotte d'éjection. Les lames risquent de continuer à tourner pendant quelques secondes; aussi assurez-vous que les lames sont complètement arrêtées. Débranchez le fil de la bougie et éloignez-le pour éviter tout démarrage accidentel.
18. Mettez la prise de force des accessoires au point mort, lorsque vous transportez le tablier de coupe ou lorsque vous ne l'utilisez pas.
19. Prenez toutes les mesures de précaution possibles lorsque vous quittez le véhicule; par exemple, mettez la prise de force au point mort, abaissez les accessoires, mettez le levier de vitesse au point mort, serrez le frein à main, arrêtez le moteur et enlevez la clé du contacteur.
20. Ne vous arrêtez pas ou ne démarrez pas brusquement en montant ou descendant une pente. Coupez l'herbe dans le sens de la pente, jamais en travers. Faites très attention s'il est nécessaire de gravir une pente ou de reculer sur une pente avec un tracteur car l'avant du tracteur pourrait se relever et se retourner, ce qui pourrait provoquer des blessures graves.
21. Ralentissez sur les pentes et dans les virages pour empêcher le véhicule de basculer ou éviter d'en perdre le contrôle. Soyez extrêmement prudent lorsque vous changez de direction sur des pentes.
22. Faites bien attention aux trous dans le sol ou à tout autre danger caché.
23. Soyez extrêmement prudent lorsque vous tirez des charges ou utilisez de l'équipement lourd.
  - A. N'utilisez que des barres d'attelage approuvées.
  - B. Limitez les charges à celles où vous pouvez garder le contrôle du véhicule.
  - C. Ne prenez pas des virages trop courts. Soyez extrêmement prudent lorsque vous reculez.
  - D. Utilisez des contrepoids ou des masses d'alourdissement lorsque ceux-ci sont conseillés dans le livret du propriétaire.
24. Faites bien attention à la circulation lorsque vous traversez des routes ou lorsque vous travaillez près de celles-ci.
25. Lorsque vous utilisez des accessoires, ne dirigez jamais l'éjection des matériaux vers des personnes. Ne permettez jamais aux personnes de se tenir à proximité du véhicule pendant qu'il fonctionne.
26. Soyez prudent avec l'essence; il s'agit d'un produit extrêmement inflammable.
  - A. N'utilisez que des récipients à essence approuvés.
  - B. N'enlevez jamais le bouchon du réservoir ou n'ajoutez jamais d'essence pendant que le moteur fonctionne ou est encore chaud, et ne faites jamais le plein d'essence à l'intérieur.
  - C. Ouvrez les portes si le moteur fonctionne dans un garage - les gaz d'échappement sont nocifs. Ne faites pas fonctionner le moteur à l'intérieur.
27. Gardez le véhicule et les accessoires en bon état de fonctionnement et laissez tous les dispositifs de sécurité en place. Utilisez les protecteurs indiqués dans le livret du propriétaire.
28. Assurez-vous que tous les écrous, boulons et vis sont bien serrés. C'est votre assurance que le

matériel peut être utilisé en toute sécurité.

29. Ne remisez jamais l'appareil à l'intérieur d'un bâtiment si le réservoir contient encore du carburant et si les vapeurs sont susceptibles de venir en contact avec des flammes nues ou des étincelles. Laissez le moteur refroidir avant de remiser l'appareil dans un endroit fermé.
30. Limitez les risques d'incendie en débarrassant le moteur de l'herbe, des feuilles et de tout excès de graisse.
31. Après avoir heurté un objet, arrêtez le véhicule et les accessoires et assurez-vous que l'un ou l'autre n'a pas été endommagé. Dans le cas contraire, réparez les dégâts avant de remettre l'appareil en marche et de le réutiliser.
32. Ne modifiez pas les réglages du régulateur de régime de moteur et ne faites pas tourner le moteur à un régime accéléré.
33. (1) Ne tondez qu'à la lumière du jour ou si la

lumière artificielle est très bonne.

- (2) N'effectuez jamais un réglage de la hauteur de coupe pendant que le moteur fonctionne si le conducteur doit descendre de son siège pour effectuer ce réglage.
  - (3) Arrêtez le moteur et attendez que la lame s'arrête complètement avant d'enlever le sac récupérateur d'herbe.
  - (4) A intervalles fréquents, vérifiez les boulons de fixation de la lame pour vous assurer qu'ils sont bien serrés.
34. Avant de reculer ou de mettre en marche arrière, regardez derrière vous et assurez-vous que la zone est libre.
  35. Ce tracteur ne doit pas être conduit sur une rampe menant dans une remorque ou un camion car il pourrait se retourner et provoquer des blessures graves. Poussez le tracteur.

## CONSEILS POUR BIEN TONDRE

1. Après le démarrage, laissez chauffer le moteur pendant quelques minutes. Le respect de cette consigne assurera un meilleur fonctionnement et une plus grande longévité du moteur.
2. Lors du premier emploi, essayer la tondeuse sur une surface de niveau. Tondre des bandes longues et droites en les faisant légèrement se chevaucher.
3. Pour tondre une pente, toujours tondre dans le sens de la déclivité. Être extrêmement prudent à tout moment et éviter les changements de direction trop abrupts. N'utiliser que la première vitesse.
4. Tondre une pelouse mouillée, touffue ou luxuriante dans le sens contraire aux aiguilles d'une montre, la goulotte d'éjection étant orientée vers l'extérieur. Ne pas projeter l'herbe coupée vers des poteaux, des arbres ou autres obstacles.

### REMARQUE

NE PAS PROJETER L'HERBE COUPEE SUR LA ZONE QUI N'EST PAS ENCORE TONDUE.

5. Si la tondeuse a du mal à couper une pelouse touffue, débrayer les lames et déplacer la tondeuse à une zone déjà tondu avant d'embrayer à nouveau les lames. Dans des conditions très difficiles, régler la hauteur de coupe à la position la plus haute et utiliser la vitesse la plus lente possible. Placer l'obturateur à la position «Rapide». Il peut être nécessaire de diminuer la largeur des bandes de moitié ou des trois-quarts en les chevauchant.
6. Ne pas tondre trop court une pelouse pleine de sève car elle risque de mourir. Si la hauteur de coupe est réglée trop bas, le carter de lame peut frotter contre l'herbe de sorte que la lame n'effectue plus l'éjection. Dans la mesure du possible, tondre l'herbe jeune l'après-midi, quand elle est bien sèche.
7. Pour s'assurer d'une coupe nette, il faut que la lame soit bien affûtée. Une lame émoussée déchire ou meurtrit l'herbe, ce qui entraîne un bru-

nissement rapide de la pelouse.

8. La meilleure configuration de la tonte dépend de plusieurs facteurs. Il est toutefois recommandé de varier la configuration fréquemment et de tondre dans une direction différente. Ceci permettra d'éliminer les phénomènes de nattage, de veinure et d'ondulation et améliorera l'apparence générale de la pelouse.

## INSTRUCTIONS DE MONTAGE

### REMARQUE

Les termes «gauche» et «droite» s'entendent pour une personne assise sur le siège et faisant face vers l'avant.

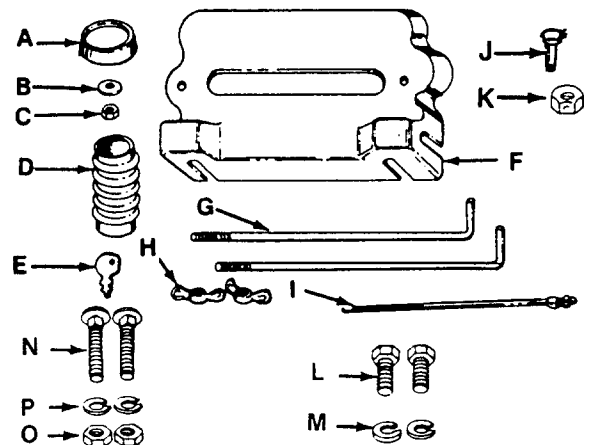


FIGURE 7

Contenu du sachet de boulonnerie (Voir la figure 6)

- A (1) Capuchon du volant
- B (1) Rondelle Belleville
- C (1) Écrou à six pans 5/16-18
- D (1) Soufflet de direction
- E (2) Clés de contact
- F (1) Couvert de la batterie
- G (2) Tiges de soutien de la batterie
- H (2) Boulon à oreilles
- I (1) Serre câble
- J (1) Vis à tête hex.



- K (1) Contre-écrou à six pans
- L (2) Boulon hex.
- M (2) Rondelle-frein
- N (2) Boulon mécanique 1/4-20
- O (2) Écrou hexagonal 1/4-20
- P (2) Rondelle-frein 1/4 de po

#### Pièces détachées dans la boîte

- (1) Ensemble de batterie
- (1) Volant
- (1) Siège

#### RENSEIGNEMENTS SUR LES BATTERIES



#### AVERTISSEMENT

- A. L'acide des batteries doit être manipulé avec précaution car il peut brûler la peau et abîmer les vêtements. Lorsque vous manipulez l'acide, il est bon de porter des lunettes de sécurité, des gants en caoutchouc et un tablier de protection.
- B. Neutralisez l'acide répandu sur les vêtements avec de l'eau ammoniacale ou une solution d'eau et de bicarbonate de soude. Si l'acide se répand sur les vêtements, diluez-le d'abord à l'eau claire, puis neutralisez-le.
- C. En cas d'éclaboussures d'acide dans les yeux, bien rincer immédiatement à grande eau froide. Si le mal n'arrête pas, consultez un médecin.
- D. L'acide des batteries attaquant les métaux, ne le videz pas dans un évier. Rincez les récipients d'électrolyte vides et brisez-les avant de les jeter.
- E. Tenez la batterie éloignée de toute étincelle, flamme ou cigarette.
- F. De l'hydrogène se dégage lors de la charge et de la décharge.
- G. Si la batterie est chargée ou utilisée dans un endroit fermé, bien aérer.

**En travaillant près des batteries, protégez toujours yeux, peau et vêtements.**

#### CHARGE DE LA BATTERIE

1. Placez la batterie à charger sur un établi. Ne chargez jamais la batterie lorsqu'elle est installée sur le tracteur.
2. Glissez une extrémité du tube de vidange de la batterie dans la tubulure de la batterie.
3. Enlevez les capuchons de tous les éléments.
4. Remplissez lentement chaque élément avec de l'électrolyte de densité 1,265. Remplissez chaque élément jusqu'en haut des séparateurs. Ne faites pas déborder.
5. Laissez reposer la batterie pendant 20 minutes pour que la réaction chimique se produise.
6. Chargez la batterie à une INTENSITÉ MAXIMALE DE 5 AMPÈRES jusqu'à l'obtention d'une densité de 1,265. Servez-vous d'un pèse-acide pour vérifier la densité.

#### ➡ ATTENTION

- Une charge excessive risque d'endommager la batterie.
- 7. Vérifiez le niveau de l'électrolyte. Ajustez le niveau à la base de la bague fendue si nécessaire.
- 8. Remettez les capuchons des éléments.

#### GARDER HORS DE PORTÉE DE ENFANTS



#### AVERTISSEMENT

Contient de l'acide sulfurique. Voir la notice de danger sur cette page. Éviter tout contact du contenu avec la peau, les yeux et les vêtements. Premiers soins: EXTERNES - Bien rincer à grande eau. INTERNES - Boire plusieurs verres de lait ou d'eau. Boire ensuite du lait de magnésier, un oeuf battu ou de l'huile végétale. Appeler immédiatement un médecin. YEUX: Bien rincer à grande eau pendant 15 minutes et consulter un médecin.

Les batteries dégagent des gaz explosifs. Tenir la batterie éloignée des étincelles, flammes, cigarettes. Bien aérer en chargeant ou en utilisant une batterie à l'intérieur.

Toujours protéger les yeux en travaillant à proximité de batterie.

#### ➡ REMARQUE

Taux de charge après utilisation de la batterie' il faut charger la batterie avec le chargeur fourni pendant 14 à 15 heures, JAMAIS PLUS DE 30 HEURES.



#### ATTENTION

Une fois la batterie en service, n'ajoutez que de l'eau. JAMAIS D'ACIDE.

#### ➡ REMARQUE

Ce moteur est équipé d'un alternateur à deux circuits. Le courant de l'alternateur du chargeur de la batterie n'est pas réglé et est évalué à 3 A à 3600 tr/mn. Pendant le fonctionnement normal, il est nécessaire de charger la batterie.

1. quand le tracteur est utilisé pour la première fois
2. avant de l'entreposer pour l'hiver
3. avant de l'utiliser pour la première fois au printemps.

#### INSTALLATION DE LA BATTERIE

1. Agrippez les deux côtés du capot du tracteur pour le soulever.
2. Placez la batterie sur le tracteur pour que la borne positive fasse face au côté droit de la machine. Voir la figure 8.

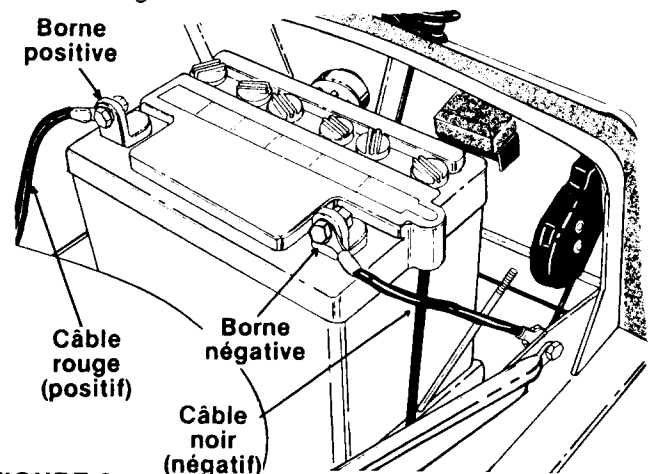


FIGURE 8

### ➔ REMARQUE

Le côté gauche est déterminé à la position assise sur le siège, faisant face à l'avant du tracteur.

3. Placez le câble positif (rouge épais) sur la borne positive. Tixez avec un boulon de carrosserie (N), une rondelle-frein (P), et un écrou hex. (O).
4. Placez le câble négatif (noir épais) sur la borne négative. Fixez avec un boulon de carrosserie (N), une rondelle-frein (P), et un écrou hex. (O).
5. Accrochez l'une des tiges de retenue (G) sur le bord du support de la batterie, près de celle-ci. Voir la figure 8. Placez le couvercle de la batterie (F) sur la tige de retenue et maintenez-le avec un écrou à six pans (H). Installez l'autre tige de retenue de l'autre côté du couvercle, de la même façon. Voir la figure 9.

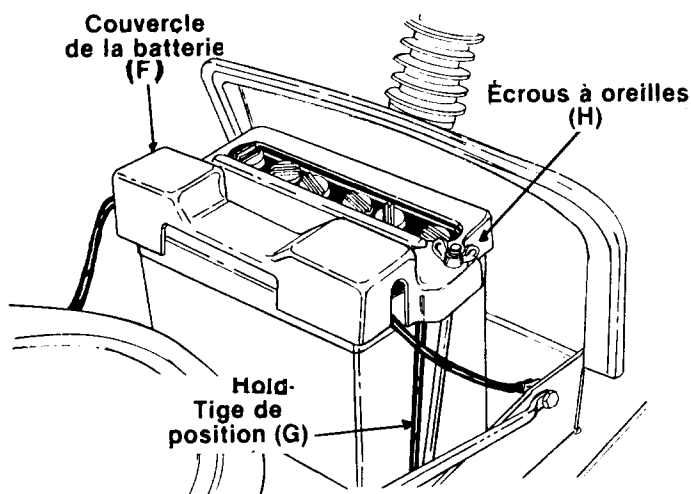


FIGURE 9

6. Faites passer le tube d'évacuation de la batterie dans le trou du châssis, puis vers l'avant, sur le support du câble du frein. Voir la figure 10.
7. Attachez le tube d'évacuation sur le support du câble du frein en utilisant un attache-fil (H), comme sur la figure 10. Serrez l'attache-fil et coupez le bout qui dépasse.

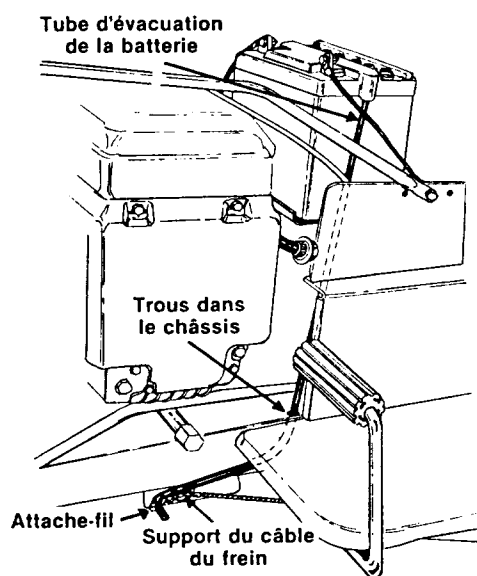


FIGURE 10

## INSTALLATION DU VOLANT

1. Pour faciliter l'expédition, la partie supérieure de l'arbre de direction est rabattue sur la partie inférieure. Relevez la partie supérieure. Les trois trous de l'arbre permettent de régler le volant à trois hauteurs différentes. Choisissez le trou approprié et utilisez la vis à tête hex. (J) et l'écrou hex. (K) pour le maintenir en place. Voir la figure 11.

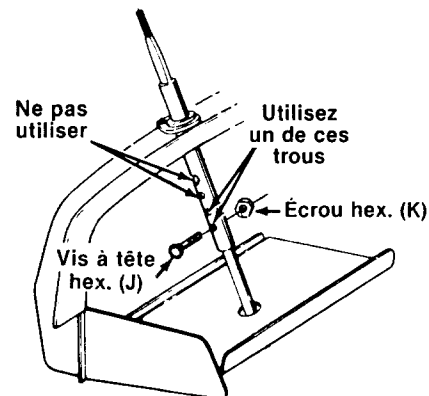


FIGURE 11

2. Installez le soufflet de direction (D) sur le volant de la manière indiquée à la figure 12.

### ➔ REMARQUE

L'une des extrémités du soufflet de direction est légèrement plus grande que l'autre. La plus grande partie doit être assemblée au volant.

3. Assurez-vous que les roues d'avant du tracteur de jardin sont droites et pointes vers l'avant.
4. Placez le volant à la position désirée, et attachez le volant et la rallonge, à l'arbre de direction.

### ➔ REMARQUE

Sur les modules qui ont des plats sur le volant et sur l'arbre, alignez les plats dans le volant avec les plats sur l'arbre.

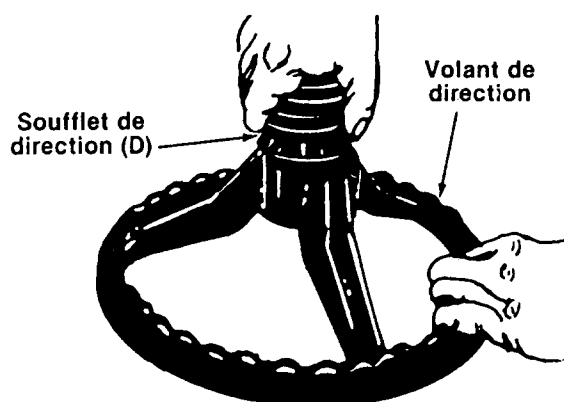


FIGURE 12

5. Maintenez-le en place avec une rondelle Belleville (B) (côté creux contre le volant) et un écrou à six pans (C). Voir la figure 13.
6. Poussez le chapeau (A) sur le volant à la main.

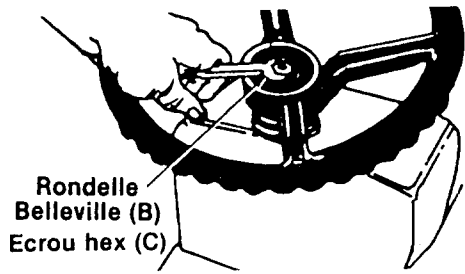


FIGURE 13

### INSTALLATION DU SIÈGE

Le siège peut être ajusté à deux positions différentes. Choisissez la position préférée et fixez au ressort du siège avec deux boulons hex. et rondelles-frein. Voir la figure 14.

VOTRE MACHINE EST ÉQUIPÉE D'UN COMMUTATEUR DE SÉCURITÉ PLACÉ DANS LE SIÈGE. APRÈS AVOIR ASSEMBLÉ LE SIÈGE, BRACHEZ LE COMMUTATEUR DE LA MANIÈRE CI-DESSOUS. SI LE CONDUCTEUR QUITTE SONT ENCLENCHÉES, LE MOTEUR S'ARRÊTERA AUTOMATIQUÉMENT. Branchez le fil que dépasse du châssis droit du siège dans la fiche du fil dépassant du côté droit du siège.



### AVERTISSEMENT

Ce commutateur est en réalité un dispositif de sécurité conçu pour votre protection. N'essayez jamais d'éviter son fonctionnement.

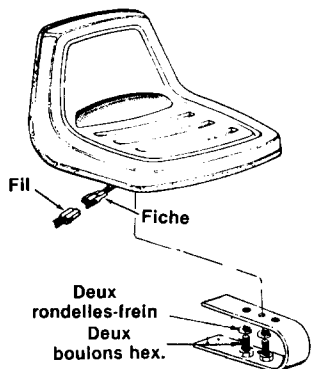


FIGURE 14

## ENTRETIEN

### CONTRAT D'ENTRETIEN

LA GARANTIE SEARS PLUS UN CONTRAT D'ENTRETIEN FONT TOUTE LA VALEUR DES PRODUITS SEARS POUR TOUT DÉTAIL, COMMUNIQUEZ AVEC VOTRE MAGASIN SEARS LE PLUS PROCHE.

### HUILE DU CARTER

Pour obtenir un rendement maximal du moteur, effectuez l'entretien périodique suivant:

#### Vérification de l'huile

Vérifiez le niveau d'huile du carter avant d'utiliser le tracteur et toutes les cinq heures d'utilisation.

Après les cinq premières heures d'utilisation d'un moteur neuf, vidangez l'huile du carter (figure 15), le moteur étant chaud et remplissez le carter d'huile fraîche. Par la suite, changez l'huile toutes les 25 heures d'utilisation. Vous obtiendrez ainsi une usure

minimale des pièces du moteur et un fonctionnement sans problème. Pour changer l'huile, procédez comme suit:

1. Le tracteur étant placé sur un terrain de niveau placez un récipient métallique approprié sous le bouchon de vidange d'huile, puis retirez le bouchon de vidange. Voir figure 15.

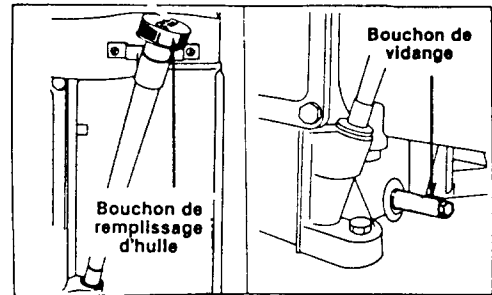


FIGURE 15

2. Une fois que l'huile est toute vidangée du carter, remettez le bouchon de vidange en place et serrez-le.
3. Faites le plein du carter. Voir page 5 pour ce qui est de la quantité et du genre d'huile.

### FILTRE À CARBURANT

Cette machine est équipée d'un filtre à carburant en ligne remplaçable. Changez le filtre dès que vous remarquez qu'il est contaminé ou décoloré. Commandez votre filtre de rechange au magasin Sears le plus proche.

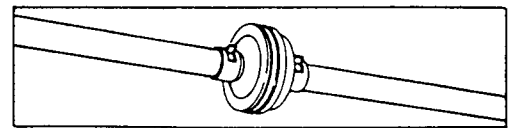


FIGURE 16

### FILTRE À AIR

Nettoyez et re-huilez le pré-filtre en mousse tous les trois mois ou après 25 heures d'utilisation, selon le cas.

#### REMARQUE

Nettoyez plus souvent en cas d'utilisation dans des conditions poussiéreuses.

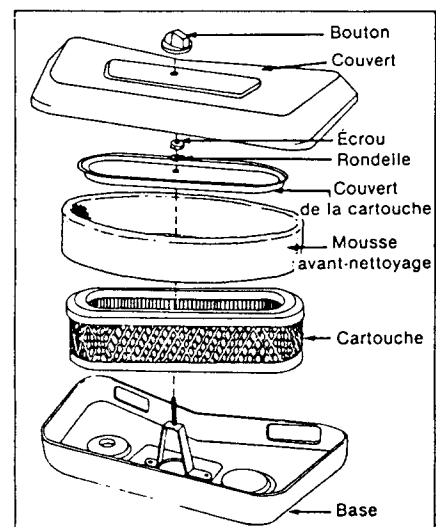


FIGURE 17

1. Retirez le bouton et le couvercle.
2. Retirez le pré-filtre en mousse de l'élément papier.
3. a) Lavez le pré-filtre en mousse dans un détergent liquide ou du kérosène.
- b) Enveloppez le dans un chiffon et essorez-le.
- c) Saturiez le pré-filtre d'huile à moteur. Pressez pour retirer l'excès d'huile.
4. Nettoyez la cartouche en tapant doucement sur une surface plate. Si elle très sale, remplacez-la.
5. Montez le pré-filtre sur la cartouche en papier. Remontez le couvercle et vissez le bouton à fond.

## NETTOYAGE DU SYSTÈME DE REFROIDISSEMENT

L'herbe ou la paille peuvent obstruer le système de refroidissement après un service prolongé en coupant les hautes herbes. Une fois par an ou après 100 heures d'utilisation, selon le cas, retirez le capot de ventilation et nettoyez les zones indiquées afin d'éviter l'emballement, la surchauffe et la détérioration du moteur. Nettoyez plus souvent si nécessaire.

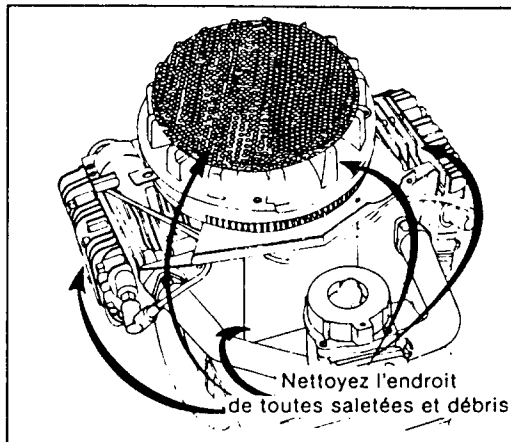


FIGURE 18

## BOUGIE

Une fois par saison, nettoyez et réglez à nouveau l'écartement des bougies à 0,030 po (voir figure 19). Utilisez une clé à douille de  $\frac{3}{4}$  de po pour enlever la bougie. **REMARQUE:** La partie hexagonale doit se trouver vers le bas. Remplacez la bougie au début de chaque saison. Reportez-vous à la liste des pièces détachées du moteur pour obtenir le type correct de bougie.

### REMARQUE

Lorsque la bougie est démontée pour le nettoyage, il est recommandé de remplacer le joint de la bougie par un nouveau joint.

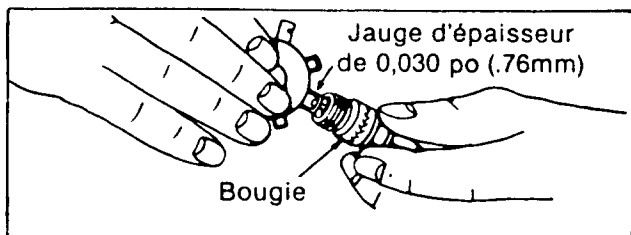


FIGURE 19

### REMARQUE

Votre moteur est muni d'une bougie à résistance. Utilisez une bougie de rechange à résistance.

## LAME DE COUPE

### A. Démontage pour aiguisage ou remplacement



### AVERTISSEMENT

Pour éviter tout démarrage accidentel, mettez toujours le fil de la bougie à la terre, après l'avoir débranché et avant de manipuler la lame de coupe.

1. Enlevez le gros boulon et la rondelle-frein retenant la lame et l'adaptateur à l'axe de la lame.
2. Enlevez la lame et l'adaptateur de l'axe. Assurez-vous de ne pas perdre la clé de l'axe.
3. Si la lame ou l'adaptateur de la lame doit être remplacé, dévissez les deux petits boulons, les rondelles-frein et les écrous qui retiennent la lame sur l'adaptateur.

### B. Aiguisage

Enlevez la lame de coupe en suivant les instructions ci-dessus.

Lorsque vous aiguisiez la lame, servez-vous de l'angle de meulage comme guide. Il est essentiel que chaque tranchant soit affûté également pour ne pas avoir une lame déséquilibrée. Une telle lame peut causer des vibrations excessives lorsqu'elle tourne à une vitesse élevée et elle peut endommager la tondeuse.

Vous pouvez vérifier l'équilibre de la lame en la plaçant sur un tournevis à tige ronde. Limez le métal du côté le plus lourd jusqu'à ce que la lame soit parfaitement équilibrée.

### REMARQUE

Il est recommandé de toujours enlever la lame de l'adaptateur pour faire la vérification.

### C. Remontage

Avant de remonter la lame et l'adaptateur de la lame sur la machine, lubrifiez l'axe et la surface intérieure de l'adaptateur de la lame avec une huile légère. Lubrifiez aussi les trous des boulons, les boulons et la surface intérieure des écrous avec une huile légère. Vous pouvez aussi utiliser de l'huile à moteur.

Lorsque vous remplacez la lame, assurez-vous d'installer la lame avec le côté marqué «BAS» (BOTTOM) (ou avec le numéro de pièce) tourné vers le sol lorsque la tondeuse fonctionne. Assurez-vous que la clé est en position sur l'arbre de la lame.

### Couple de montage de la lame

Boulon de  $\frac{3}{8}$  es de po de diam. 375 po-lb min., 450 po-lb max.

Boulon de  $\frac{5}{16}$  es de po de diam. 150 po-lb min., 250 po-lb max.

Vérifiez périodiquement que TOUS les écrous et boulons de la machine sont bien serrés.

## ENTRETIEN DE LA BATTERIE

1. Vérifiez le niveau de l'électrolyte de façon périodique (au moins une fois toutes les deux semaines) et maintenez-le à la base des bagues fendues. Utilisez seulement de l'eau distillée ou une eau potable de bonne qualité. N'ajoutez jamais d'acide ou d'autre produit chimique après la charge initiale.
2. Vérifiez l'état de la batterie avec une pèse-acide toutes les 25 heures de fonctionnement. Si la densité est inférieure à 1,225, rechargez la batterie. L'intensité maximale de charge est de 5 ampères. Une batterie complètement rechargée devrait être à 1,260.
3. Recouvrez les bornes et le fil exposé d'une mince couche de graisse ou de vaseline pour bénéficier d'une durée d'utilisation plus longue et d'une meilleure protection contre la corrosion.
4. La batterie doit toujours être propre. Neutralisez les dépôts d'acide avec de la soude et de l'eau. Faites attention de ne pas faire pénétrer cette solution dans les éléments.

### CAUSES HABITUELLES DES PANNES DE BATTERIE:

1. Surcharge
2. Manque de charge
3. Manque d'eau
4. Tiges de maintien desserrées, branchements corrodés.
5. Charges excessives
6. Liquide autre que de l'électrolyte dans la batterie
7. Gel de l'électrolyte

#### ➔ REMARQUE

LA GARANTIE NE COUVRE PAS CES PANNES.

## INSTALLATION DU PNEU SUR LA JANTE



### AVERTISSEMENT

Procédez de la façon suivante pour monter ou démonter un pneu sur une jante.

1. Lubrifiez les talons de pneu et les brides de la jante.
2. Ne dépasser pas 30 lb/po<sup>2</sup> en enfonçant les talons.
3. Réglez ensuite à la pression recommandée.

## LUBRIFICATION

### DIRECTION

Lubrifiez les dents de la crémaillère et des pignons avec une graisse automobile à usages multiples toutes les 25 heures d'utilisation ou une fois par saison. Voir figure 20.

#### ➔ IMPORTANT

Arrêtez toujours le moteur et débranchez le fils de la bougie avant de nettoyer, de lubrifier ou d'effectuer des réparations sur le tracteur.

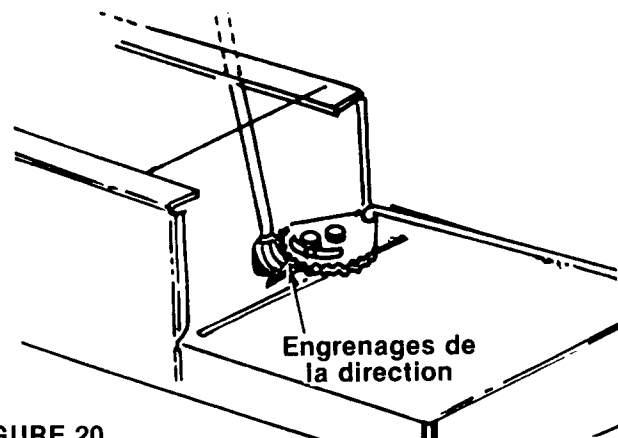


FIGURE 20

### ARBRE DE DIRECTION

Lubrifiez l'arbre de direction au moins une fois par saison avec une huile légère.

### TRANSESSIEU

Le transessieu est lubrifié et scellé hermétiquement à l'usine et n'a pas à être vérifié. S'il doit être démonté pour une raison ou pour une autre, lubrifiez-le avec 10 oz. de graisse qui peut être obtenue chez votre centre de service Sears.

### POINTS DE PIVOT

Lubrifiez tous les points de pivot avec une huile légère au moins une fois par saison.

## RÉGLAGES

### RÉGLAGE DU SIÈGE

Le siège peut être réglé à deux positions. Reportez-vous à la section sur l'installation du siège, figure 14.

### RÉGLAGE DU VOLANT

Le volant peut être réglé à trois positions différentes. Pour régler la hauteur, enlevez la goupille épingle et l'axe de chape. Placez le volant à la position désirée et maintenez-le avec une goupille épingle et un axe de chape. Voir la figure 11.

### RÉGLAGE DES ROUES

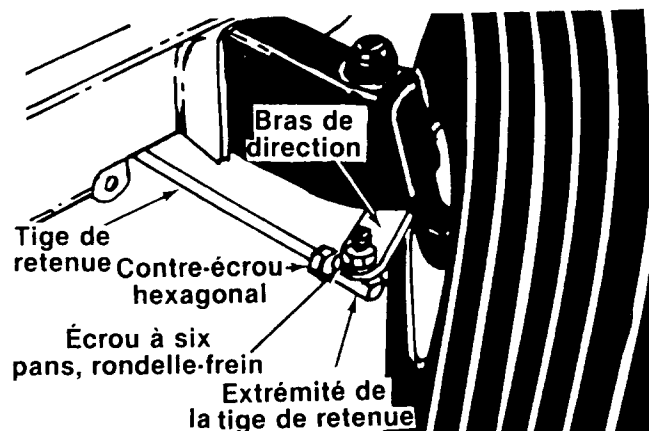


FIGURE 21

La chasse (inclinaison vers l'avant du pivot de fusée) et le carrossage (inclinaison vers l'extérieur du haut des roues) n'ont pas besoin d'être réglés. Les princi-

pes de direction automobile ont servi à déterminer la chasse et la carrossage du tracteur. Le pincement des roues avant doit être de  $\frac{1}{8}$ e de po. Procédez de la façon suivante pour régler le pincement des roues.

1. Enlevez l'écrou à six pans et la rondelle-frein et dégagez l'extrémité de la tige de retenue du support de la roue. Voir figure 21.
2. Desserrez le contre-écrou à six pans de la tige de retenue.
3. Réglez la tige de retenue au pincement voulu.

La dimension «B» doit être inférieure d'environ  $\frac{1}{8}$ e de po à la dimension «A». Voir figure 22.

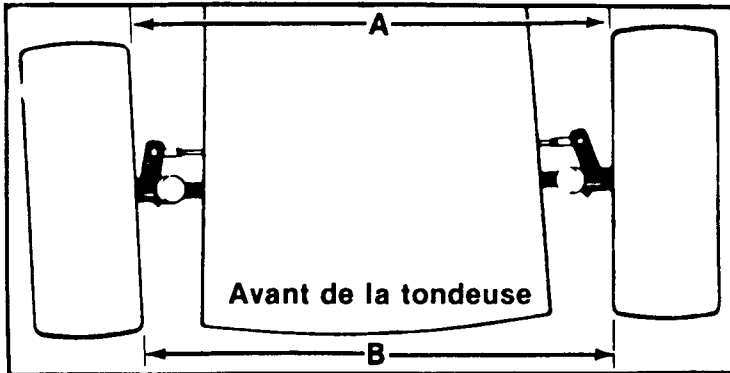


FIGURE 22. SCHÉMA DU PINCEMENT

- A) Pour augmenter la dimension «B», vissez la tige de retenue dans l'extrémité.
- B) Pour diminuer la dimension «B», dévissez la tige de retenue.
- C) Remontez la tige de retenue. Vérifiez les dimensions. Effectuez les réglages supplémentaires nécessaires.

## RÉGLAGE DE LA COMMANDE DE LA VITESSE (voir la figure 23)

Commencez par appuyer sur la pédale d'embrayage-frein jusqu'à ce que la butée de la tige de commande de la vitesse se trouve contre la tige du marchepied. Voir la figure 23. Demandez à une autre personne de maintenir la pédale à cette position pour que vous puissiez faire le réglage suivant. Placez la manette de commande de la vitesse à la rondelle plate et réglez la virole de la fente. Voir la figure 27. Remettez la rondelle plate et la goupille-épingle en place. Réglez ensuite la tringle de commande de la vitesse de la manière suivante pour obtenir le réglage neutre correct.

1. Faites démarrer le moteur.
2. Placez le levier de vitesse au point mort.
3. Placez la manette de commande de la vitesse à la position «Rapide».
4. Lâchez complètement la pédale d'embrayage-frein, puis appuyez à fond lentement (à la position de stationnement). Maintenez-la à cette position.
5. Arrêtez le moteur.
6. Quand le moteur a cessé de tourner, lâchez complètement la pédale d'embrayage-frein.
7. Placez la manette à la deuxième position.
8. Enlevez la goupille-épingle et la rondelle plate de la virole de la tringle de commande de la vitesse.
9. Repoussez le plus loin possible la pédale d'embrayage-frein à la main en appuyant légèrement et maintenez-la à cette position pour régler la virole sur la tringle de commande de la vitesse pour l'aligner avec le trou dans la pédale.
10. Remettez la goupille-épingle et la rondelle plate.

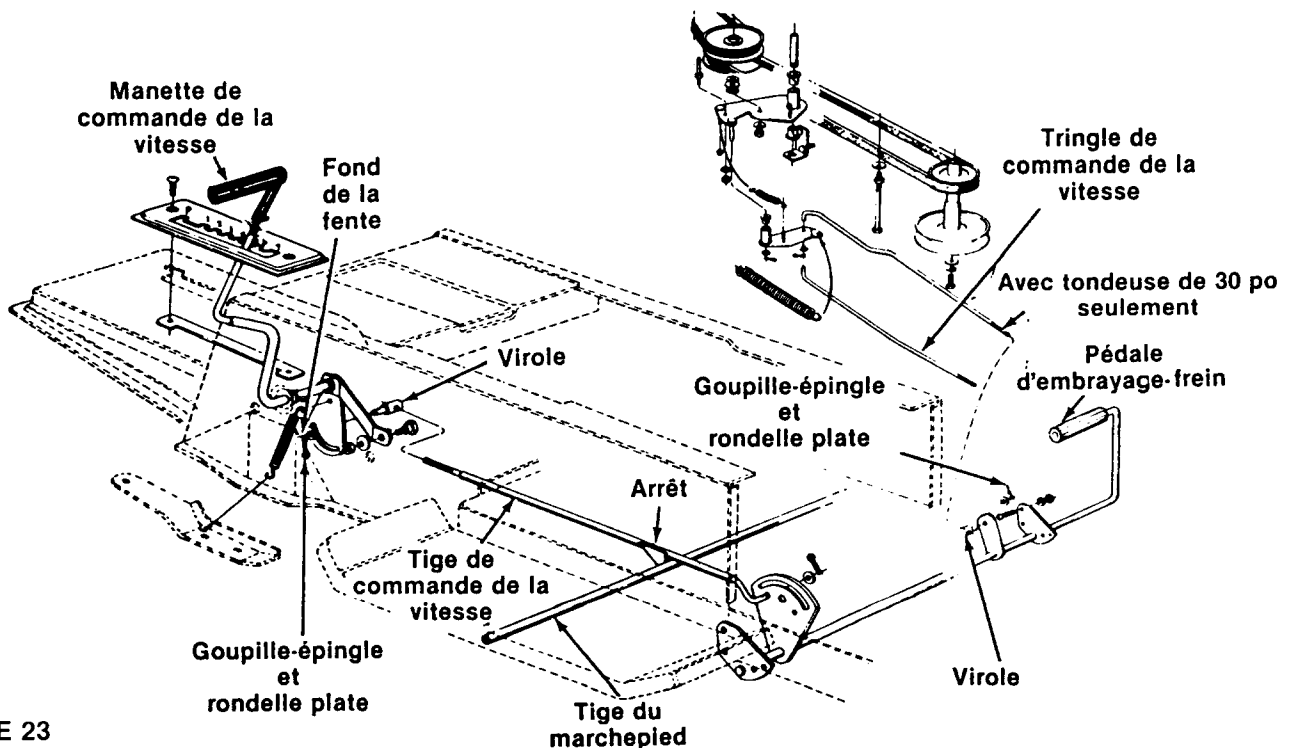


FIGURE 23

## RÉGLAGE DU CARBURATEUR



### AVERTISSEMENT

Si vous devez faire des réglages quelconques au moteur pendant qu'il tourne (par ex. au carburateur), déclenchez tous les embrayages et lames. Eloignez-vous de toutes les pièces mobiles et ne touchez pas les surfaces chaudes et au silencieux.

Il peut être nécessaire d'effectuer un réglage mineur du carburateur pour compenser les différences entre le carburant, la température, l'altitude et la charge.

### ➔ REMARQUE

Le filtre à air doit être monté sur le carburateur quand le moteur tourne.

LA MÉTHODE DE RÉGLAGE DU MÉLANGE DE CARBURANT AU CARBURATEUR DU MOTEUR À CYLINDRES JUMELÉS EST UNIQUE. EFFECTUEZ LE RÉGLAGE DANS L'ORDRE SUIVANT.

Tournez doucement la soupape de mélange pour régime élevé dans le sens des aiguilles d'une montre jusqu'à ce qu'elle soit à **peine** fermée.

### ⚠ ATTENTION

Vous risquez d'endommager les soupapes en les tournant trop loin. Ouvrez la soupape à pointeau d'un tour et demi dans le sens contraire des aiguilles d'une montre.

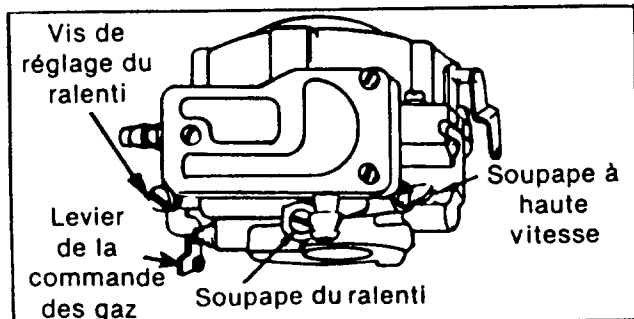


FIGURE 24

Mettez le moteur en marche et placez la manette de l'obturateur à la position ralenti. Maintenez-la au ralenti et réglez la vis du ralenti pour obtenir 1200 à 1400 tr/mn environ. Tournez la soupape de mélange à ralenti **lentement** dans le sens des aiguilles d'une montre (mélange pauvre) jusqu'à ce que le moteur **commence** à ralentir.

Réglez ensuite la vis du ralenti pour obtenir un régime de 900 à 1200 tr/mn. Lâchez la manette des gaz.

**REMARQUE:** Il sera peut-être nécessaire d'installer un jet de carburateur pour haute altitude sur les moteurs utilisés à 5000 pieds d'altitude ou plus. En cas de fonctionnement irrégulier ou de manque de puissance, choisissez la pièce correspondant à votre moteur. Un moteur tournant à 1800 tr/mn nécessite un jet fixe, n° 231338. Les autres moteurs exigent un jet fixe, n° 231333. Vous pouvez les commander auprès du dépositaire Briggs et Stratton le plus proche.

## RÉGLAGE DES COMMANDES

Le bon fonctionnement de l'étrangleur et du régime dépend du bon réglage des commandes à distance du matériel motorisé.

### VÉRIFICATION DE L'ÉTRANGLEUR

Placez la commande à distance à la position «Étrangleur». L'étrangleur du carburateur doit alors se fermer.

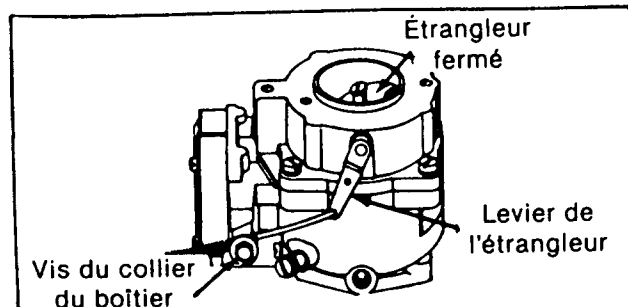


FIGURE 25

### RÉGLAGE DE L'ÉTRANGLEUR

Placez la commande à distance de l'équipement à la position «Étrangleur». Desserrez la vis du boîtier de la commande. Déplacez celui-ci ainsi que le câble jusqu'à ce que l'étrangleur soit complètement fermé. Serrez la vis.

### RÉGLAGE DU RÉGULATEUR DE VITESSE

La plage normale d'utilisation se situe entre 1800 et 3600 min. Le ralenti est de 1400 tr/mn. Le constructeur de l'équipement sur lequel le moteur est utilisé spécifie la vitesse maximum hors charge à laquelle le moteur doit être utilisé. **NE JAMAIS DÉPASSER** cette vitesse.

La vitesse du moteur est commandée par le levier. Placez ce levier «A» à la position correspondant à la vitesse la plus lente possible. La butée de l'obturateur doit toucher la vis de réglage du ralenti. Pour régler, desserrez la vis «B» et déplacez le câble et le boîtier dans le sens de la flèche jusqu'à ce que la butée soit en contact avec la vis placée sur le carburateur. Serrez la vis «B».



### ATTENTION

Le levier de l'obturateur du carburateur **DOIT** toucher la vis de réglage du ralenti lorsque le levier de commande se trouve dans la position la plus basse.

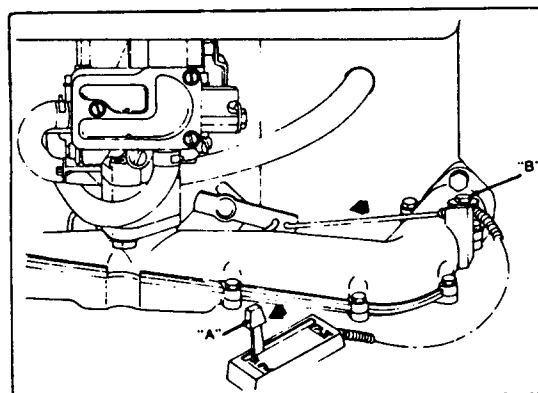


FIGURE 26

## RÉGLAGE DU FREIN

Le frein se trouve habituellement à proximité de la roue arrière gauche, à l'intérieur du châssis. Pendant le fonctionnement normal de cette machine, le frein peut s'user. Il est par conséquent nécessaire de l'examiner périodiquement et de le régler.

### ⚠ ATTENTION

Ne réglez pas le frein pendant que le moteur tourne.

Pour cela, enlevez la goupille fendue. Ajustez l'écrou crénelé pour que le frein commence à serrer la manette se trouve entre  $\frac{1}{4}$  de po et  $\frac{5}{16}$  es de po du logement de l'essieu.

### ➡ REMARQUE

La figure 27 représente la machine redressée sur ses roues arrière à des fins de meilleure compréhension seulement.

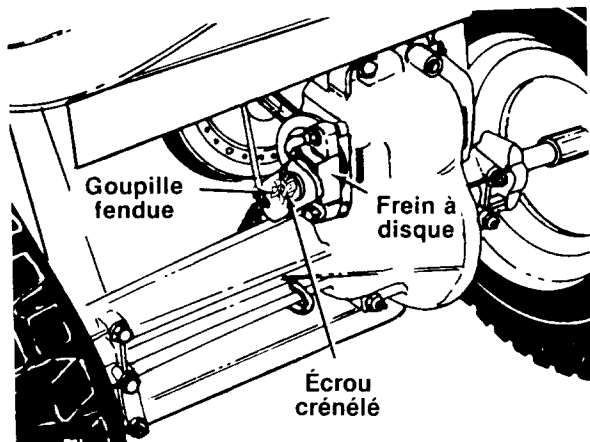


FIGURE 27

## TRINGLES DE RÉGLAGE DE LA TONDEUSE:

Il faut ajuster la tondeuse si le tonte n'est pas uniforme. Les tringles de réglage se trouvent sur la droite de la machine. Voir les n<sup>os</sup> 20, 21 et 22 à la page 34.

Pour régler la tondeuse, enlevez la goupille-épingle et la rondelle de l'axe de chape. Serrez ou desserrez le boulon à œil sur la tringle de réglage. Remettez l'axe de chape, la rondelle et la goupille-épingle.

## RÉGLAGE DU FREIN DE LA LAME

### ➡ REMARQUE

Vérifiez que le moteur est arrêté

1. Placez la manette d'enclenchement du tablier à la position non engagée.
2. Tirez le câble vers l'avant du tracteur et alignez-le par rapport à un trou dans le support du frein. Attachez-le sur le support avec un axe de chape (U), une rondelle plate (T) et une goupille-épingle (R). Le câble doit présenter un léger mou, comme à la figure 28.
3. Placez la manette d'enclenchement du tablier à la position engagée. Le câble du frein doit être tendu et la plaquette de frein doit être à environ  $\frac{3}{16}$  es de po de la gorge de la poulie du tablier.

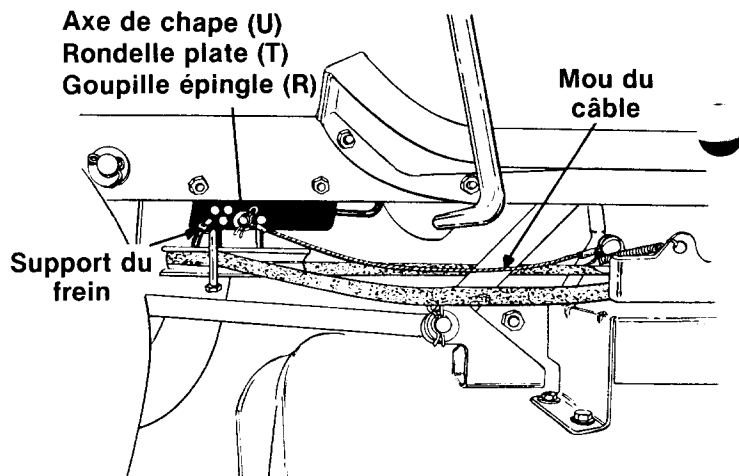


FIGURE 28

## DÉMONTAGE ET REMPLACEMENT DE LA COURROIE

### ⚠ ATTENTION

N'utilisez pas n'importe quelle courroie. S'il est nécessaire de remplacer la courroie, commandez la ou les courroies par numéro de pièce au dépositaire agréé le plus proche.

### ➡ REMARQUE

Pour une meilleure compréhension, la machine était inclinée lors de la prise des photos 29 à 33. Il n'est cependant pas nécessaire de la basculer pour démonter les courroies.

## COURROIE D'ENTRAÎNEMENT ARRIÈRE

1. Enlevez les deux vis à tête cintrée qui maintiennent le couvercle sur la transmission.

### ➡ REMARQUE

Le couvercle, sur votre tracteur, peut être maintenu par des goujons serrés d'un quart de tour. Appuyez sur les goujons et desserrez-les pour enlever le couvercle.

2. Retirez le couvercle. Débranchez le fil vert de sécurité qui est attaché au couvercle.
3. Poussez le tendeur vers la droite du tracteur. Soulevez la courroie par-dessus le tendeur. Voir la figure 29.
4. Dégagez la courroie de la poulie de la transmission.
5. Enlevez les deux boulons qui maintiennent le support du levier de vitesses sur le châssis, sur la gauche du tracteur. Déplacez le support vers la droite pour que la courroie puisse être dégagée de la poulie de la transmission. Voir la figure 30.
6. Sortez la courroie et remontez le tout dans le trou du couvercle, par dessus le levier de vitesses.
7. Remplacez la courroie et remontez le tout dans l'ordre inverse.



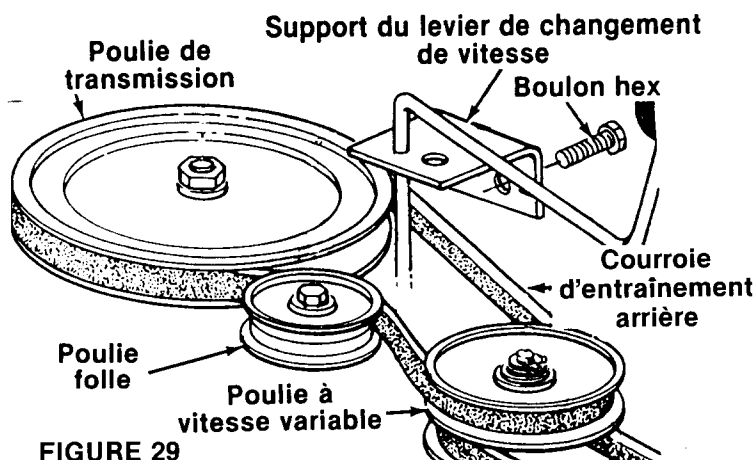


FIGURE 29

### COURROIE D'ENTRAÎNEMENT DE DEVANT

1. Commencez par dégager la courroie d'entraînement arrière du tendeur et de la poulie à vitesse variable avant d'enlever la courroie d'entraînement avant.
2. Placez la manette de relevage à la position «dégagée».
3. Enlevez les deux boulons hex. (de retenue de la courroie) sur le dispositif de protection de la courroie de la poulie motrice. Voir la figure 30.

#### ➔ REMARQUE

Vérifiez que les boulons hex. sont replacés de la manière illustrée à la figure 30.

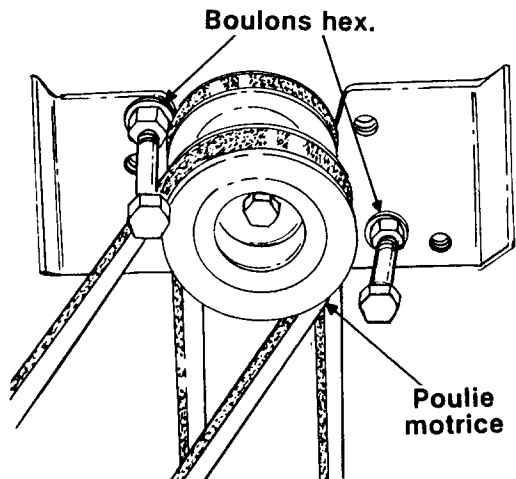


FIGURE 30

4. Décrochez la courroie du tablier de la poulie motrice.
5. Enlevez les deux boulons, les deux rondelles-frein et les deux écrous, de chaque côté du châssis, qui retiennent le dispositif de protection de la courroie de la poulie motrice sur le châssis. Voir la figure 31.

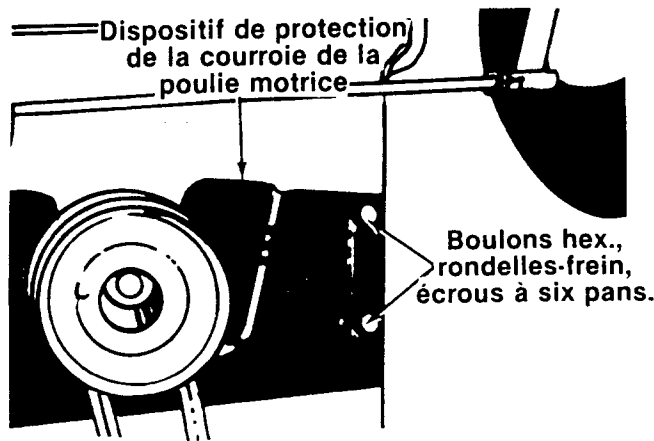


FIGURE 31

6. Enlevez le dispositif de protection de la courroie de la poulie motrice en la glissant vers l'arrière et vers la droite. Voir la figure 32.



FIGURE 32

7. Placez la pédale d'embrayage/frein à la position «Stationnement».
8. Poussez la poulie à vitesse variable vers l'avant puis soulevez et dégagez la courroie de la poulie motrice.
9. Relâchez la pédale d'embrayage/frein. Utilisez la pédale pour déplacer la poulie à vitesse variable selon le besoin, soulevez la courroie et dégagez-la de la poulie à vitesse variable.

#### ➔ REMARQUE

Pour vous faciliter la tâche, vous pouvez enlever les goupilles de retenue de la courroie. Voir la figure 33. Vérifiez que la courroie se trouve sur l'intérieur des goupilles en installant la courroie neuve.

10. Installez la courroie neuve en la faisant tout d'abord passer sur la grosse poulie motrice, puis sur la poulie à vitesse variable et enfin sur la petite poulie motrice.
11. Assemblez les pièces restantes en procédant dans l'ordre inverse.

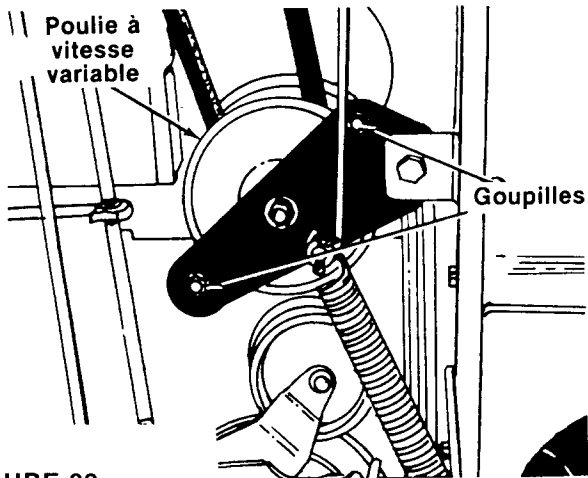


FIGURE 33

### DÉMONTAGE ET REMPLACEMENT DE LA COURROIE DU TABLIER

1. Placez la manette d'enclenchement du tablier à la position non engagée.
2. Enlevez le boulon à épaulement, la rondelle-frein et l'écrou à six pans retenant le support diagonal sur le tablier.

3. Placez la manette d'enclenchement du tablier à la position engagée et enlevez la goupille épingle et la rondelle plate qui maintiennent la tige stabilisatrice sur le tablier.
4. Déglagez les six pattes d'articulation du tablier en enlevant les goupilles épingle et les rondelles plates.
5. Enlevez les deux boulons hex. (de retenue de la courroie) du dispositif de protection de la courroie de la poulie motrice. Voir la figure 30.

#### ➔ REMARQUE

Vérifiez que les boulons hex. sont replacés de la manière illustré à la figure 30.

6. Placez la manette d'enclenchement du tablier à la position non engagée. Dégagez la courroie du tablier de la poulie motrice.
7. Dégagez le tablier en le faisant glisser en dessous du tracteur.
8. Dégagez le dispositif de protection de la courroie en décrochant le ressort et en enlevant les deux vis autotaraudeuses. Voir la figure 35.
9. Démontez la première courroie d'entraînement.
10. Enlevez les couvre-poulies de droite et de gauche en retirant les vis autotaraudeuses.
11. Faites pivoter le tendeur à ressort et dégagez la courroie.

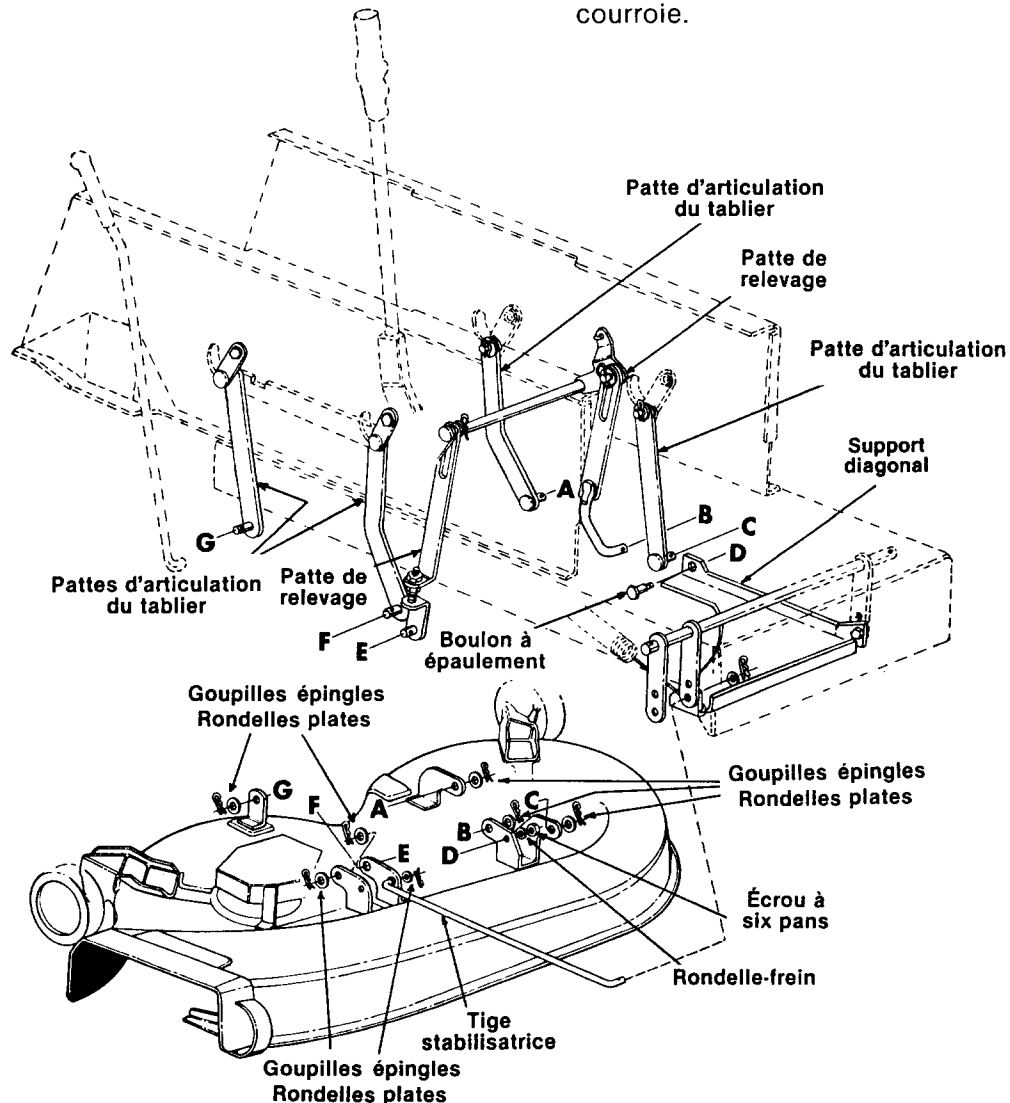


FIGURE 34

12. Dégagez la courroie des trois poulies du tablier.
13. Procédez dans l'ordre inverse lors de l'assemblage.

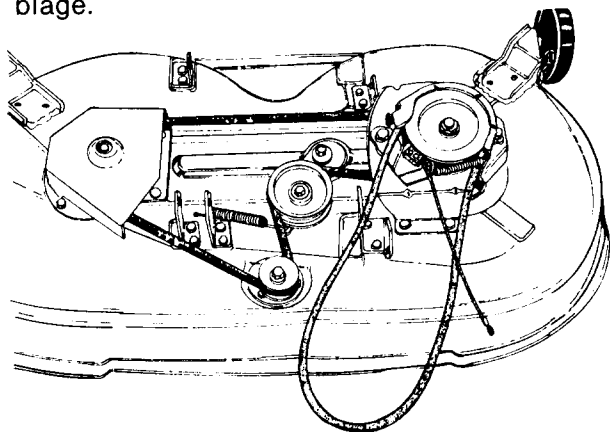


FIGURE 35

➡ **REMARQUE**

Pour remonter le tablier sur le tracteur, attachez les deux pattes de relevage, puis les quatre pattes d'articulation du tablier sur celui-ci. Assurez-vous de faire passer un côté de la courroie entre la patte de relevage de gauche et la patte d'articulation du tablier et l'autre côté sur l'extérieur de la patte d'articulation du tablier, comme à la figure 36.

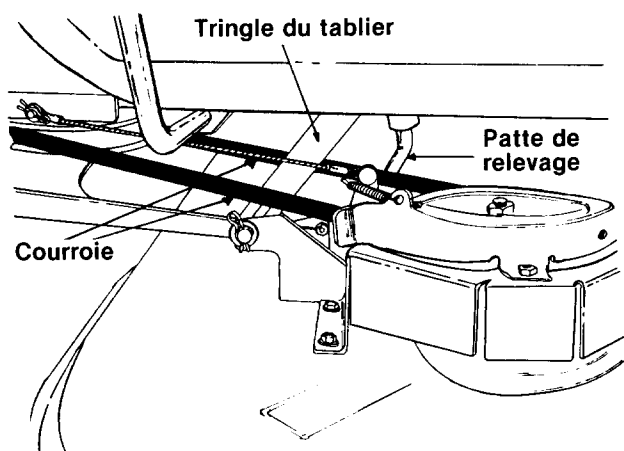


FIGURE 36

**DÉMONTAGE OU INSTALLATION DE LA BATTERIE:**

**AVERTISSEMENT**

Pour démonter la batterie, procédez de la façon suivante pour empêcher votre clé de provoquer un court-circuit contre le châssis.

1. Débranchez le câble négatif.
2. Débranchez le câble positif.

**Pour installer la batterie:**

1. Branchez le câble positif.
2. Branchez le câble négatif.

**DÉMARRAGE PAR CÂBLES VOLANTS**

1. Branchez le première câble sur la borne positive de la batterie chargée et sur la borne positive de la batterie à plat.

2. Branchez le deuxième câble sur la borne négative de la batterie chargée et sur le CHÂSSIS DE LA MACHINE DONT LA BATTERIE EST À PLAT.



**AVERTISSEMENT**

Procéder d'une façon différente peut provoquer des étincelles et les vapeurs dégagées par les batteries peuvent exploser.

**REMISSAGE HORS SAISON**

Si vous ne devez pas utiliser la machine pendant une période supérieure à 30 jours, procédez de la façon suivante:

1. À l'extérieur, videz le réservoir à carburant. Utilisez un chiffon sec et propre pour absorber la petite quantité de carburant restant, puis laissez tourner le moteur jusqu'à ce que le carburant soit complètement brûlé.
2. Videz toute l'huile du carter (après avoir utilisé la machine lorsque le moteur est encore chaud). Faites le plein avec une huile fraîche et propre.
3. Débranchez les fils des bougies et démontez les bougies des cylindres. Versez 2 ou 3 cuillerées à soupe d'huile à moteur dans chaque cylindre et faites tourner le moteur plusieurs fois pour bien répartir l'huile. Remplacez les bougies, mais ne branchez pas les fils.
4. Nettoyez le moteur et le tracteur à fond.
5. Graissez tous les points de pivotement et essuyez toute la machine avec un chiffon imbibé d'huile pour protéger les surfaces.

➡ **ATTENTION**

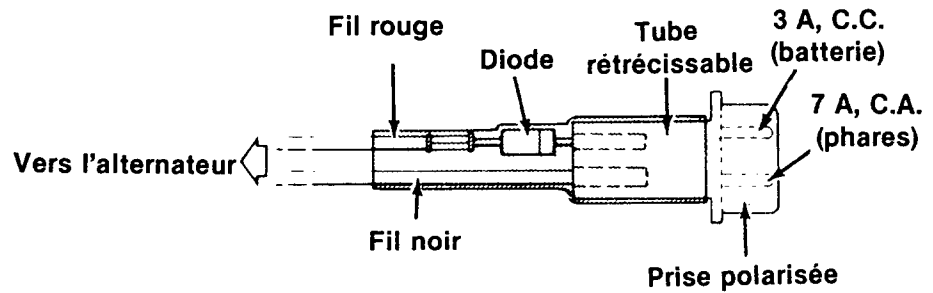
Assurez-vous de protéger le tracteur contre la rouille s'il doit être entreposé dans un abri métallique non aéré. Recouvrez le tracteur, les chaînes, ressorts, roulements et câbles d'une fine couche d'huile ou de silicone.

**ENTREPOSAGE DE LA BATTERIE**

1. Chargez la batterie de la façon habituelle. N'entreposez jamais une batterie déchargée car elle ne pourra resservir.
2. Si la batterie doit être entreposée pendant une période prolongée, débranchez les câbles. Il est conseillé de démonter la batterie.
3. Entreposez la batterie à un endroit sec et frais.
4. Rechargez la batterie lorsque la densité est inférieure à 1,225 ou tous des deux mois, selon ce qui survient d'abord.

# TABLEAU DES PANNES POSSIBLES DES MODÈLES À DÉMARRAGE ÉLECTRIQUE

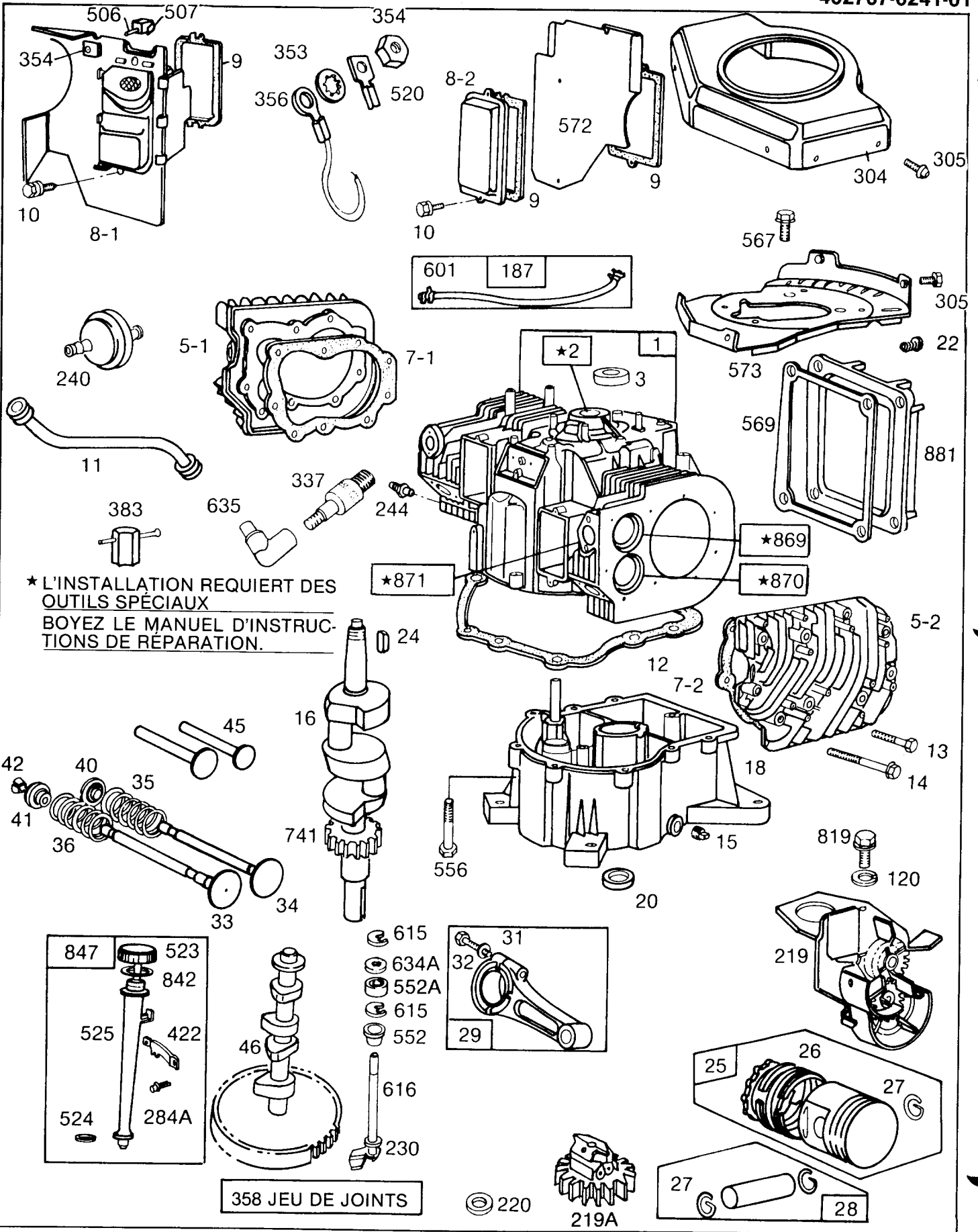
PANNE	CAUSE	SOLUTION
Le moteur ne tourne pas	Mauvaise installation de la batterie	La batterie doit être installée de façon que le câble négatif, identifié à la borne par (Nég., N ou -), soit mis à la masse. Le câble positif (Pos., P ou +) est attaché au gros câble au solénoïde. Le petit fil rouge du porte-fusibles ou disjoncteur se branche également sur la borne positive.
	Fusible sauté ou disjoncteur défectueux	Remplacez le fusible par un fusible de 7 1/2 A de 1/4 de po x 1 1/4 po de long. Le disjoncteur se règle de lui-même quand il a refroidi. Les fusibles ou disjoncteurs sautent ou se déclenchent rarement sans raison. Le problème doit être corrigé. Vérifiez les raccords lâches du porte-fusibles. Remplacez-le si nécessaire. Un court circuit a pu se produire dans le circuit de mise en route ou de charge si l'isolation a frotté et mis à nu le fil. Remplacez le fil ou réparez avec du ruban pour électricien si les fils n'ont pas été endommagés. Remarque: Faites attention au fil pincé entre deux panneaux, brûlé par le silencieux ou tuyau d'échappement ou ayant frotté contre une pièce mobile.
	Batterie à plat ou faible	Utilisez un pèse-acide pour vérifier l'état de la batterie. La densité doit être de 1.265 à 80° F (Une intensité de 1,215 minimum est nécessaire pour faire tourner le moteur). Vous devez trouver la cause de la panne de la batterie. (1) Batterie défectueuse. Elle ne se recharge pas ou ne retient pas la charge. (2) Court-circuit. Vérifiez le fil mis à la masse. (3) Le circuit de charge ne fonctionne pas.



Panne mécanique (Fils et commutateurs)	Le système de verrouillage comporte deux commutateurs mécaniques dont les fils sont regroupés par séquence dans le circuit utilisé pour activer le solénoïde du démarreur. Faites attention en utilisant le système de verrouillage car vous devez mettre en route le moteur lorsque la lame et l'embrayage sont enclenchés. <b>AVERTISSEMENT:</b> Pour faire les essais, déclenchez l'embrayage, bloquez la commande de la lame, serrez le frein de stationnement et placez le levier de vitesse au point mort. Attachez un fil (calibre 18 minimum) à la borne positive de la batterie et touchez la petite borne du solénoïde avec l'autre extrémité. Si le moteur ne tourne pas: (1) il y a un raccord lâche ou une mauvaise mise à la masse. (2) le solénoïde peut être en mauvais état. Vérifiez-le en utilisant un fil épais (de calibre 8 minimum) et connectez-le provisoirement avec les deux grosses bornes. Si le moteur démarre, le solénoïde est défectueux. (3) Si le moteur ne tourne pas lorsque vous connectez provisoirement le solénoïde, faites vérifier le moteur du démarreur par un dépositaire agréé. Si le moteur tourne, le problème est causé par l'un des interrupteurs de sécurité, par le commutateur de l'allumage ou le fil entre le porte-fusibles (ou disjoncteur) et la petite borne du solénoïde. Remarque: Recherchez un mauvais branchement éventuel des commutateurs ou un commutateur défectueux. Remplacez-le si nécessaire.	
Le moteur tourne, mais ne démarre pas	La commande des gaz ou l'étrangleur ne se trouve pas en position de démarrage	Reportez-vous au manuel du propriétaire pour trouver la position correcte du démarrage de la commande des gaz et de l'étrangleur.

# TABLEAU DES PANNES POSSIBLES DES MODÈLES À DÉMARRAGE ÉLECTRIQUE

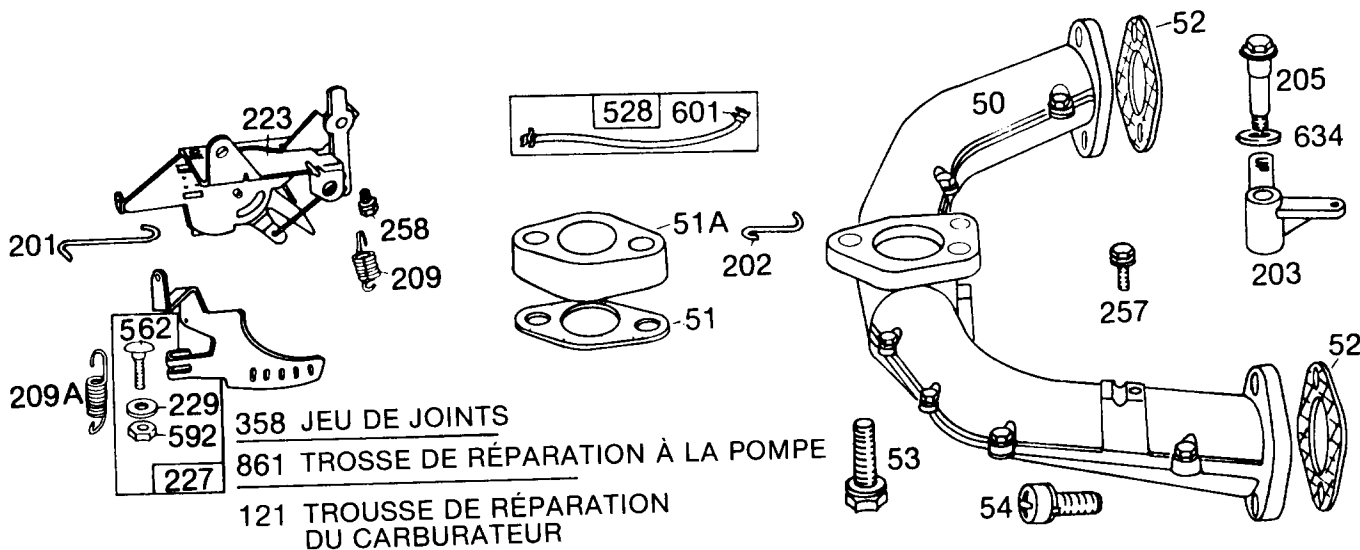
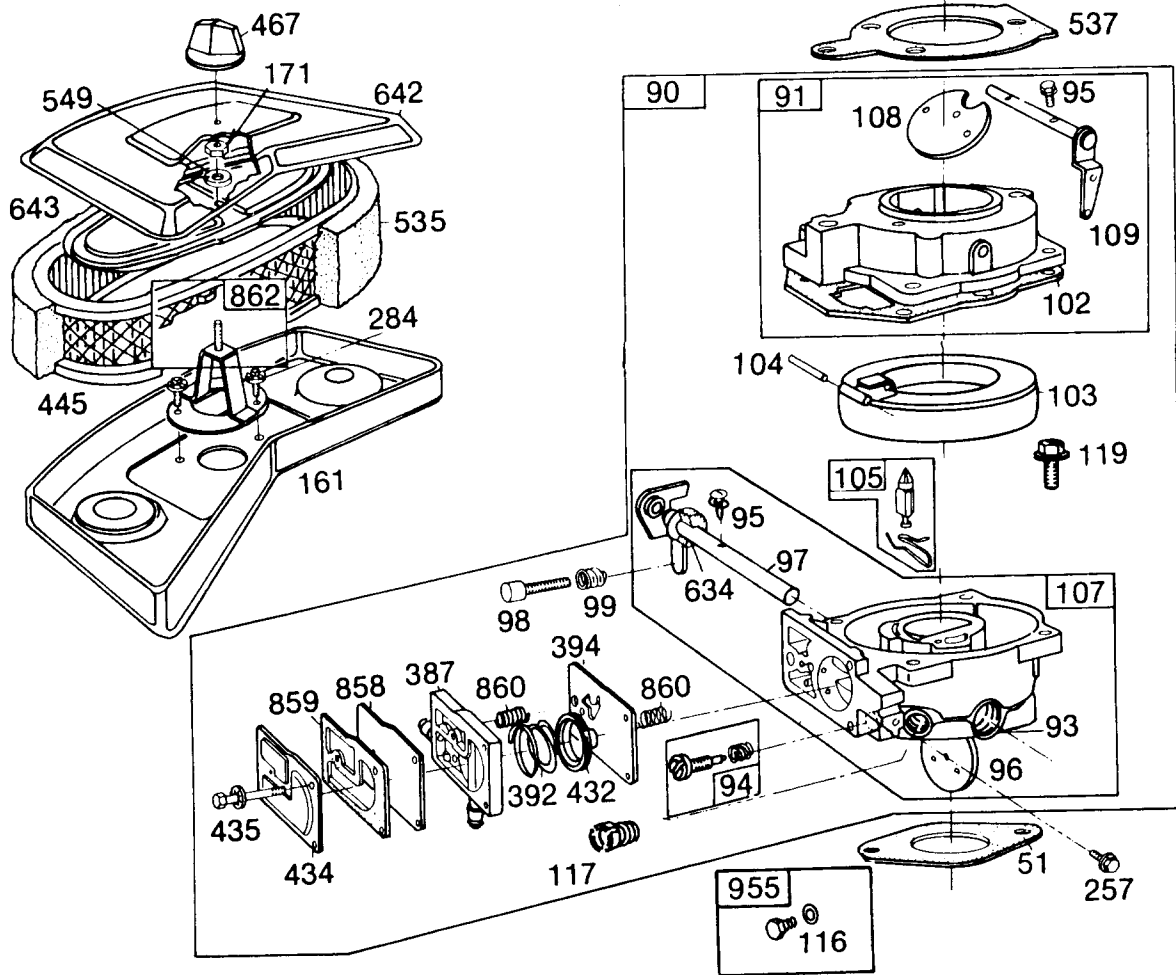
PANNE	CAUSE	SOLUTION
	Pas d'étincelle à la bougie.	La bougie est débranchée. Branchez-la. Tenez le fil de la bougie à environ 1/8" de po du bloc-moteur. Faites tourner le moteur. Il doit y avoir une étincelle. Dans le cas contraire, faites réparer le moteur par une station technique Sears. Bougie défectueuse. Pour l'essayer, démontez-la. Attachez le fil de la bougie à celle-ci. Mettez la bougie à la masse contre le bloc-moteur. Faites tourner le moteur. L'étincelle doit apparaître à l'électrode. Remplacez la bougie dans le cas contraire.
	Pas de carburant dans le carburateur	Le réservoir à essence est vide. Faites le plein. La soupape d'alimentation du carburant est fermée. Ouvrez-la. Cette soupape se trouve soit à la base du réservoir à essence soit sur le carburateur. La conduite de carburant est bouchée. Démontez-la et nettoyez-la.
	Filtre à air sale	Si le filtre à air est sale, il se peut que le moteur ne démarre pas. Nettoyez ou remplacez le filtre selon les recommandations du fabricant du moteur.
Le moteur fume.	Le moteur perd du vide du carter.	La jauge à huile n'est pas juste ou elle est cassée. Remplacez la pièce défectueuse. Le reniflard du moteur est défectueux. Remplacez-le.
Vibrations excessives.	Axe de la lame pliée ou endommagée.	<b>Arrêtez le moteur immédiatement.</b> Vérifiez que toutes les poulies, axes et adaptateurs de lames, écrous et boulons sont bien serrés et en bon état. Serrez ou remplacez les pièces endommagées.
	Lames pliées	<b>Arrêtez le moteur immédiatement.</b> Remplacez la lame endommagée. N'utilisez que des lames d'équipement d'origine.
La tondeuse n'évacue pas l'herbe ou laisse des bandes non coupées.	Le moteur tourne	La commande des gaz doit être réglée les 3/4 et le régime plein.
	Sélection de transmission.	Utilisez l'engrenage le plus bas. Plus votre vitesse sera lente, meilleure sera la qualité de la coupe.
	Lames trop courtes ou émoussées.	Aiguiser ou remplacez les lames (dans le cas de bandes non tondues seulement).



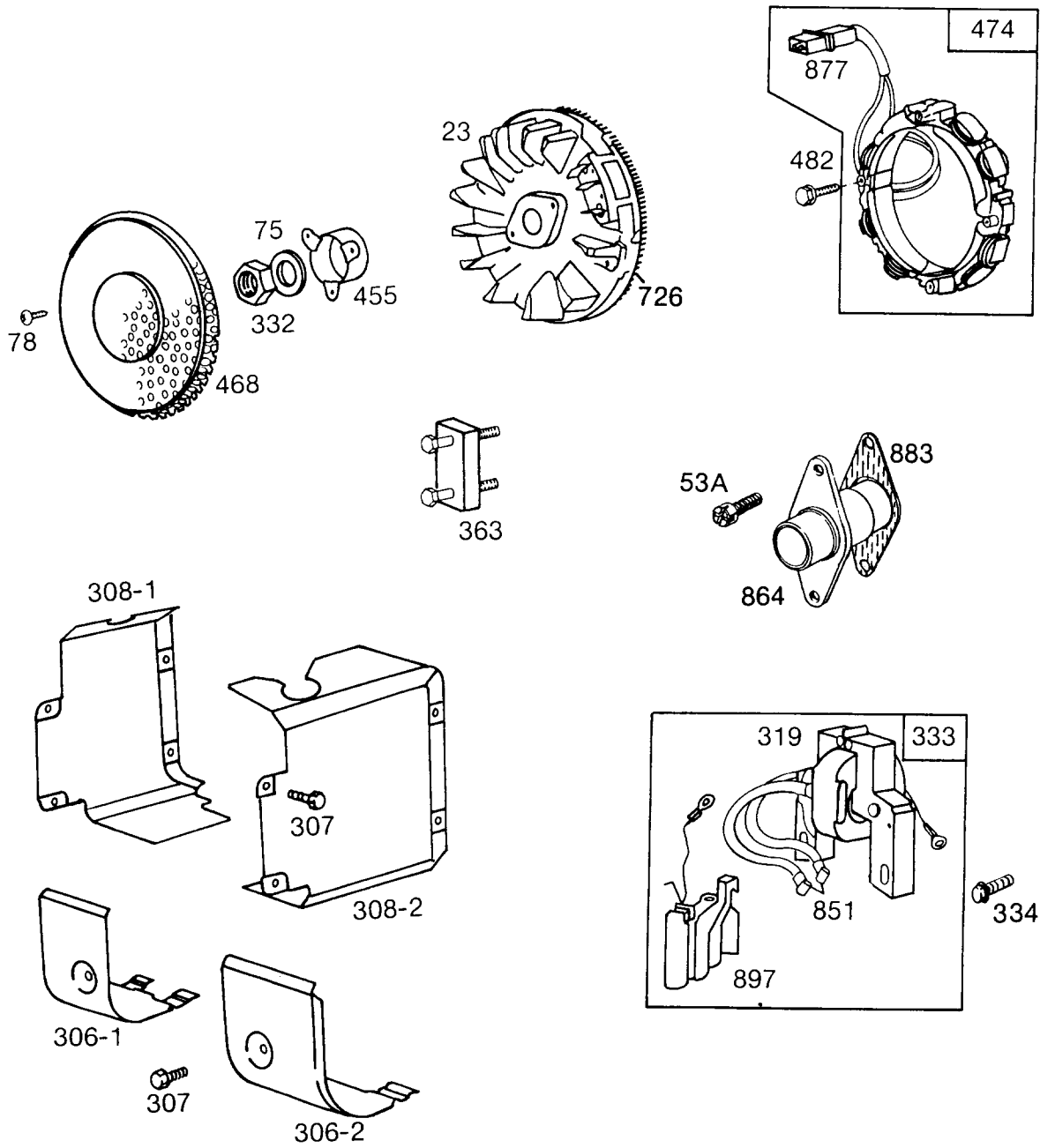
★ L'INSTALLATION REQUIERT DES OUTILS SPÉCIAUX  
BOYEZ LE MANUEL D'INSTRUCTIONS DE RÉPARATION.

358 JEU DE JOINTS

Les ensembles comprennent toutes les pièces encadrées

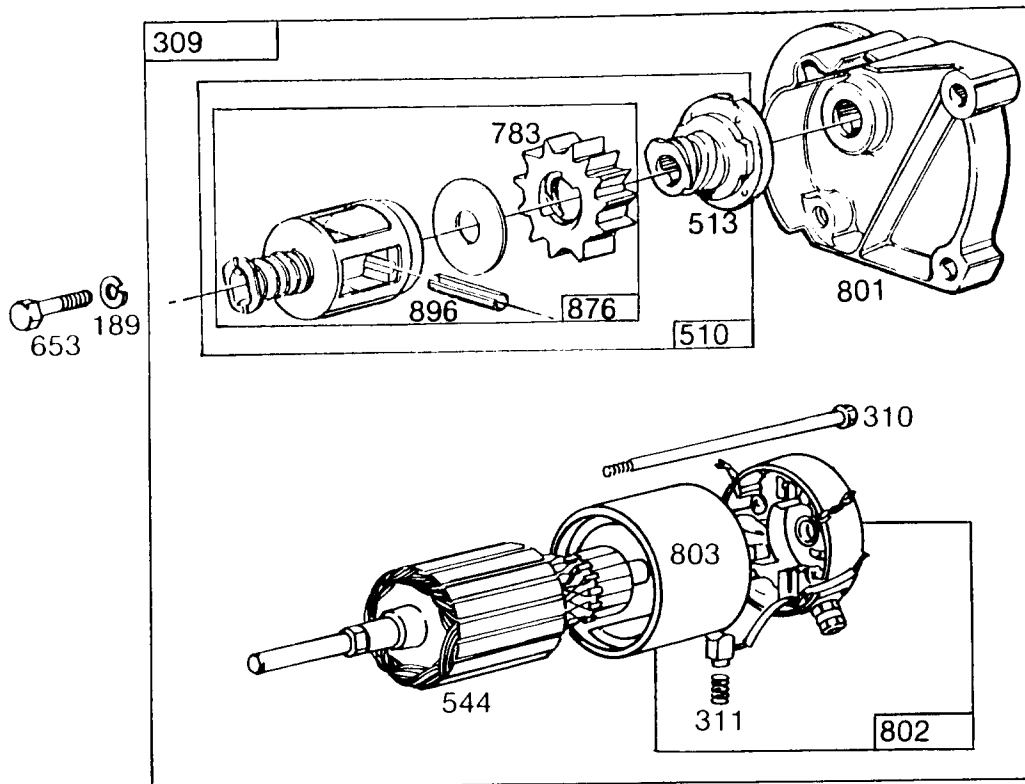


Les ensembles comprennent toutes les pièces encadrées



Les ensembles comprennent toutes les pièces encadrées





Objet		N° de réf. 309	N° de réf. 310	N° de réf. 311	N° de réf. 801	N° de réf. 802	N° de réf. 803
Fabricant du moteur du démarreur et numéro de modèle du moteur		Moteur et entraînement	Boulon	Balai	Entraînement des moyeux	Commutateur d'extrémité	Logement
Briggs et Stratton	Longueur du logement						
*12V	3 5/8"	394808	94003	395538	394860	395537	393825

Objet		N° de réf. 513	N° de réf. 544	N° de réf. 783	N° de réf. 876	N° de réf. 896	N° de réf. 510
Fabricant du moteur du démarreur et numéro de modèle de moteur		Ensemble d'embrayage	Armature	Engrenage	Trousse de ressort du démarreur	Bague à rouleau	Pignon d'engrenage du démarreur
Briggs et Stratton							
12V		391135	392747	28014	39354	93754	396865

Les ensembles comprennent toutes les pièces encadrées

N° de Réf.	N° de Pièce	Pièce	N° de Réf.	N° de Pièce	Pièce
1	394941	Cylindre	284	93893	Vis Sems
2	261623	Palier - cylindre	284A	93469	Vis - Hex.
3	391086	Joint d'étanchéité	304	393287	Logement de la souffluse
5-1	212461	Culasse - n° 1	305	93158	Vis Sems
5-2	212462	Culasse - n° 2	306-1	222846	Protecteur de cylindre
7-1	*270984	Joint de la culasse n° 1	306-2	222847	Protecteur de cylindre
7-2	*270983	Joint de la culasse n° 2	307	93163	Vis Sems
8-1	*393370	Reniflard n° 1	308-1	222848	Couvercle du guide d'air
8-2	*222892	Couvercle du reniflard n° 2	308-2	222849	Couvercle du guide d'air
9	*27803	Joint de la boîte	309		Moteur de démarrage
10	93394	Vis Sems			<b>(Voir le tableau pour ce qui est des pièces pour les moteurs de démarrage)</b>
11	280225	Tube de reniflard			Induit
12	*271142	Joint de 1/8 de po d'épaisseur du couvercle du carter	319	394988	Écrou hex.
	*271188	Joint de .005 de po d'épaisseur du couvercle du carter	332	231247	Armature
	*271189	Joint de .009 de po d'épaisseur du couvercle du carter	333	394891	Vis Sems de montage de l'armature
13	93111	Vis de la culasse (1 1/8 po de long)	334	93381	Bougie (2 3/8 po de hauteur - Résistance)
14	93113	Vis de la culasse (2 3/8 po de long)	337	394539	Rondelle-frein indesserrable
15	91084	Bouchon de vidange d'huile	353	92791	Écrou hex. 8-32
16	*393382	Vilebrequin	354	90576	Fil de mise à la masse
		<b>Remarque: Pour remplacer les manetons du vilebrequin, commandez la pièce n° 231160</b>	356	391115	Jeu de joints
18	393552	Bâti du vilebrequin	358	394501	Extracteur de volant
20	291675	Joint d'étanchéité	363	19203	Clé de bougie
22	93882	Vis Sems de montage du couvercle du carter	383	89838	Corps de la pompe
23	392956	Magnéto de l'ensemble du volant et de la couronne dentée	387	280197	Ressort de la pompe
24	*222698	Clé du volant	392	1261395	Diaphragme
		<b>ENSEMBLES DE PISTON: (CHEMISE-ALÉSAGE)</b>	394	1270988	Collier de remplissage de l'huile
25	394955	Ensemble de piston (Std)	422	222875	Rondelle-tendeur
	394956	Ensemble de piston - .010 de po (grande taille)	432	1221377	Couvercle - diaphragme
	394957	Ensemble de piston - .020 de po (grande taille)	434	222615	Vis - couvercle du diaphragme
	394958	Ensemble de piston - .030 de po (grande taille)	435	93829	Cartouche de filtre à air
		<b>JEUX DE BAGUES: (CHEMISE-ALÉSAGE)</b>	445	394019	Coupelle de montage du tamis
26	394959	Ensemble de segments de piston (Std)	455	222674	Bouton de filtre à air
	394960	Ensemble de segments de piston (surdimension de .010 po)	467	212292	Tamis rotatif affleurant
	394961	Ensemble de segments de piston (surdimension de .020 po)	468	222673	Stator de l'alternateur
	394962	Ensemble de segments de piston (surdimension de .030 po)	474	393474	Vis Sems
27	260924	Axe de piston	482	93621	Borne
28	299691	Ensemble d'axe du piston standard	506	231174	Virole - isolateur
	391286	Ensemble d'axe du piston de 0,005 po (grand taille)	507	280180	Cosse
29	393270	Bielle	520	93722	Capuchon et jauge de remplissage de l'huile
		<b>Remarque: Pour bielle à maneton de 0,020 po d'alésage, commandez la pièce n° 393714</b>	523	394020	Joint du tube de remplissage de l'huile
31	220863	Rondelle (1/4 x 3/8 x 1/32)	524	271157	Tube de remplissage de l'huile
32	92909	Vis de la bielle	525	280224	Canalisation et collier (9 po) de la pompe à impulsions
33	*390420	Soupape d'échappement	528	390674	Élément du filtre à air
34	*261528	Soupape d'admission	535	271271	Joint du filtre à air
		Emplois: Joint et dispositif de retenue (n° 868)	537	*1271411	Rondelle
35	65906	Ressort - soupape d'admission	549	271180	Manchon inférieur du régulateur
36	26828	Ressort - soupape d'échappement	552	261559	Manchon supérieur de régulateur
40	221596	Soupape d'admission de retenue	552A	261560	Vis Sems à tête hex.
41	292260	Soupape d'échappement de bobine	556	93585	<b>Remarque: 93730 Goujon du couvercle du carter; 90366 - Rondelle-frein; 22963 - Rondelle</b>
42	93630	Soupape d'échappement de bobine - retenue	562	93853	Boulon de la manette du gouverneur
45	261368	Taquet de soupape	567	93777	Vis à tête hex. (plaque de support au cylindre)
46	*212337	Distribution à cames	569	*270981	Joint d'épaisseur
50	394374	Tubulure d'admission	572	222912	Chicane (cylindre n° 2)
51	†271412	Joint	573	392934	Plaque de support
51A	280319	Entretoise - carburateur	592	92278	Écrou hex. 10-24
52	*270884	Joint de montage de la tubulure d'admission	601	93053	Collier de la conduite de carburant
53	93970	Vis de montage du carburateur	615	93851	Bague
53A	93415	Vis de montage du carburateur	616	394349	Manivelle du gouverneur
54	93208	Vis Sem de montage de la tubulure d'admission	634	†271013	Rondelle d'arbre du régulateur
75	222511	Rondelle à ressort	634A	271316	Étanchéité en mousse - arbre du gouverneur
78	93805	Vis - Sems	635	66538	Coude de la bougie
90	397245	Ensemble du carburateur (volet à distance)	642	223002	Couvercle du filtre à air
91	397241	Partie supérieure du carburateur	643	222859	Plaque de cartouche du filtre à air
93	231209	Manchon de l'arbre de l'obturateur	653	91162	Vis hex. (3/16" x 1 1/2 po de lg.)
94	†292681	Soupape de ralenti du carburateur	654	93343	Vis Sems
95	93499	Vis Sems du volet de départ et du régulateur	726	391362	Couronne (comprend les pièces de montage)
96	221939	Obturateur	741	261363	Engrenage de distribution
97	392672	Arbre et manette de l'obturateur	819	93686	Vis hex. (10-32 x 3/8 po de lg)
98	91920	Vis à tête cylindrique et à rainure 8-21 x 3/8	842	271170	Joint du capuchon de remplissage de l'huile
99	26157	Ressort - réglage des commandes	847	394394	Jauge à huile et tube de remplissage de l'huile
102	†271607	Joint de carburateur	851	221798	Borne du câble de l'allumage
103	298514	Carburateur à flotteur	858	†270989	Membrane
104	†230896	Goupille à charnière libre	859	†271025	Joint de la pompe du carburateur
105	†299096	Pointeau	860	†261358	Ressort (2)
107	397270	Corps du carburateur	861	393397	Trousse de réparation de la pompe
108	222010	Soupape à papillon	862	394546	Sangle de montage du filtre à air
109	392873	Arbre et manette du volet de départ	864	393483	Revêtement de l'orifice d'échappement
116	260474	Bague de graissage	868	393606	Joint et dispositif de retenue
117	231338	Soupape à pointeau	869	261463	Siège de la soupape d'admission (std)
119	93496	Vis hex. Sems (10-32 x 3/8)	870	210940	Siège de la soupape de sortie (std)
120	92290	Rondelle-frein n° 10 x 1/16 x 3/64	871	231218	Guide de la soupape de sortie 231218 ou 261961
121	394502	Trousse de mise au point du carburateur			Voyez le manuel de réparation
161	222861	Corps du filtre à air	877	393456	Ensemble de diode et de raccord
171	93715	Écrou hexagonal	881	222860	Couvercle du carter
187	299146	Canalisation de carburant (28 po) coupée à la longueur voulue	883	271174	Joint de l'échappement
189	90366	Rondelle-frein	897	394970	Bobine de la gâchette MAGNETRON
201	261586	Maillon du gouverneur	955	397882	Capuchon et joint du solénoïde
202	261587	Maillon du régulateur			
203	280320	Levier coudé			
205	93971	Vis à épaulement			
209	261720	Ressort du gouverneur			
209A	261563	Ressort du régulateur de ralenti			
219	393415	Bague d'étanchéité			
219A	394348	Engrenage du gouverneur			
220	222773	Rondelle de butée			
223	394538	Plaque de commande du gouverneur			
227	394470	Manette du gouverneur			
229	222289	Rondelle			
230	220863	Rondelle - Bras de manivelle du gouverneur			
240	394358	Filtre à carburant (dans la canalisation au réservoir)			
244	230318	Raccord de la pompe à impulsions			
257	93897	Vis Sems			
258	93158	Vis Sems			

\* Compris dans le jeu de joints n° de pièce 394501

† Compris dans le nécessaire de réparations du carburateur n° de pièce 394502

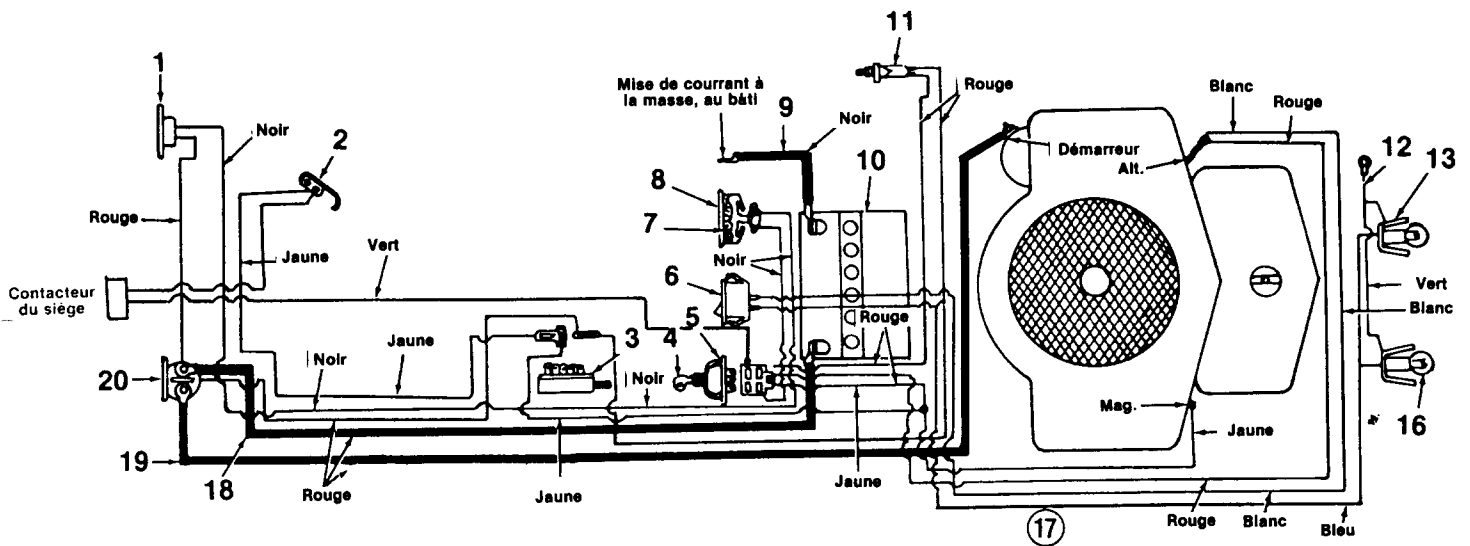
‡ Fourni avec la trousse de réparation du carburateur n° 394502 et la trousse de réparation à la pompe n° 393397

## ENSEMBLE DE DÉCORATION

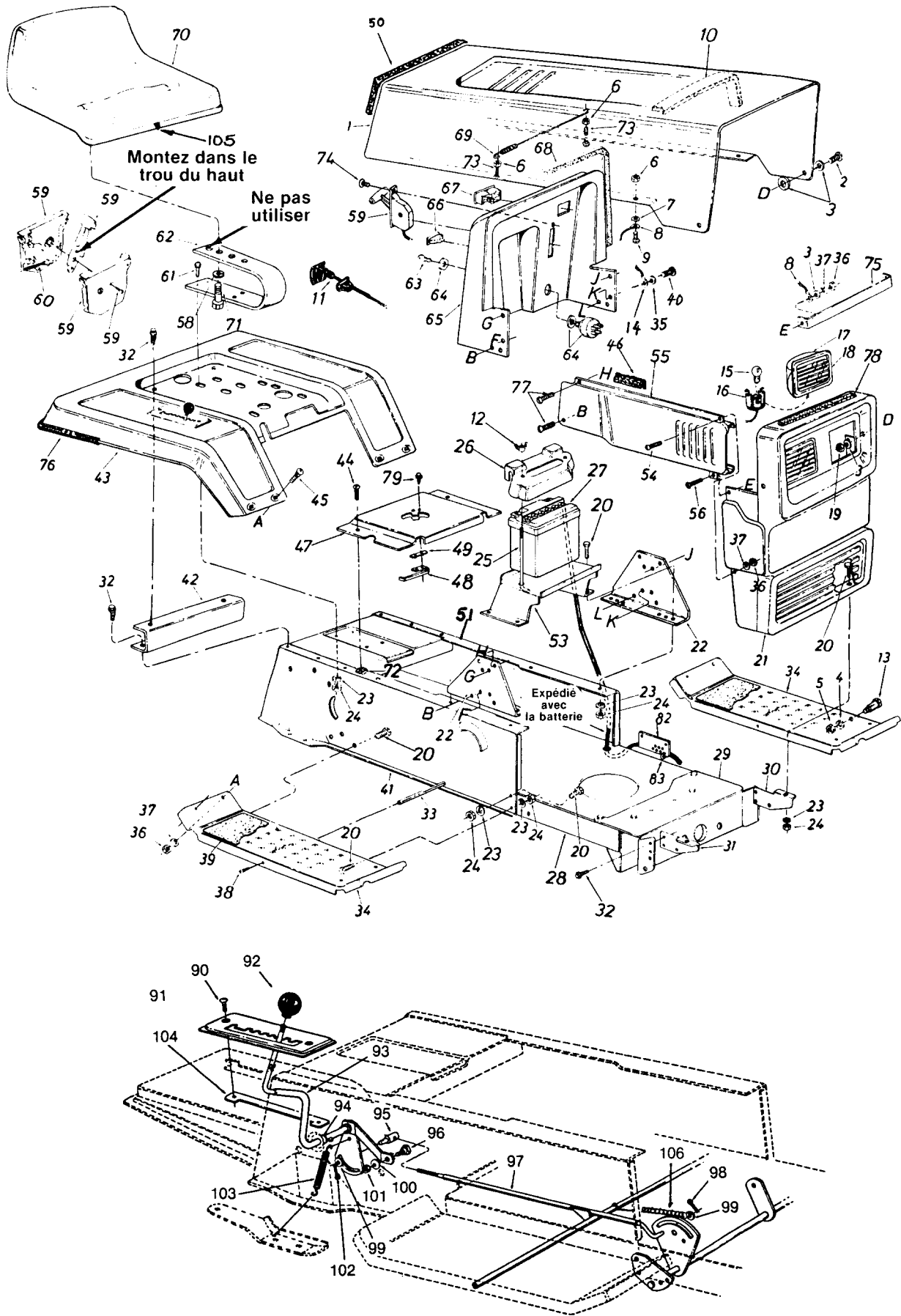
776-4253	Étiquette CRAFTSMAN - noire
776-4218	Étiquette - Jumelé de 12.5 HP
776-4568A	Étiquette de la transmission - noire
777-6063 (D)	Étiquette de droite pour le tableau de bord
777-6063 (G)	Étiquette de gauche pour le tableau de bord
777-0144	Étiquette «Achetons canadien»
777-2245	Étiquette du frein/embrayage
777-4024	Étiquette du capuchon du volant
777-4220	Étiquette Sears-Craftsmen (Coin inférieur droit de la calandre)
777-4210	Étiquette 7 vitesses
777-9455	Étiquette «44 po - Ne pas appuyer»
777-9328A	Étiquette de réglage de la hauteur
777-9375	Étiquette d'avertissement (sur la goulotte)
777-9452	Étiquette «Ne jamais transporter d'enfants» (à l'arrière du siège)
777-9474	Étiquette «30 lb/po <sup>2</sup> max.» (sur les jantes)
777-4217	Étiquette - Bandes pour capot
777-4070	Étiquette - Bandes rouge

## PEINTURE POUR RETOUCHES

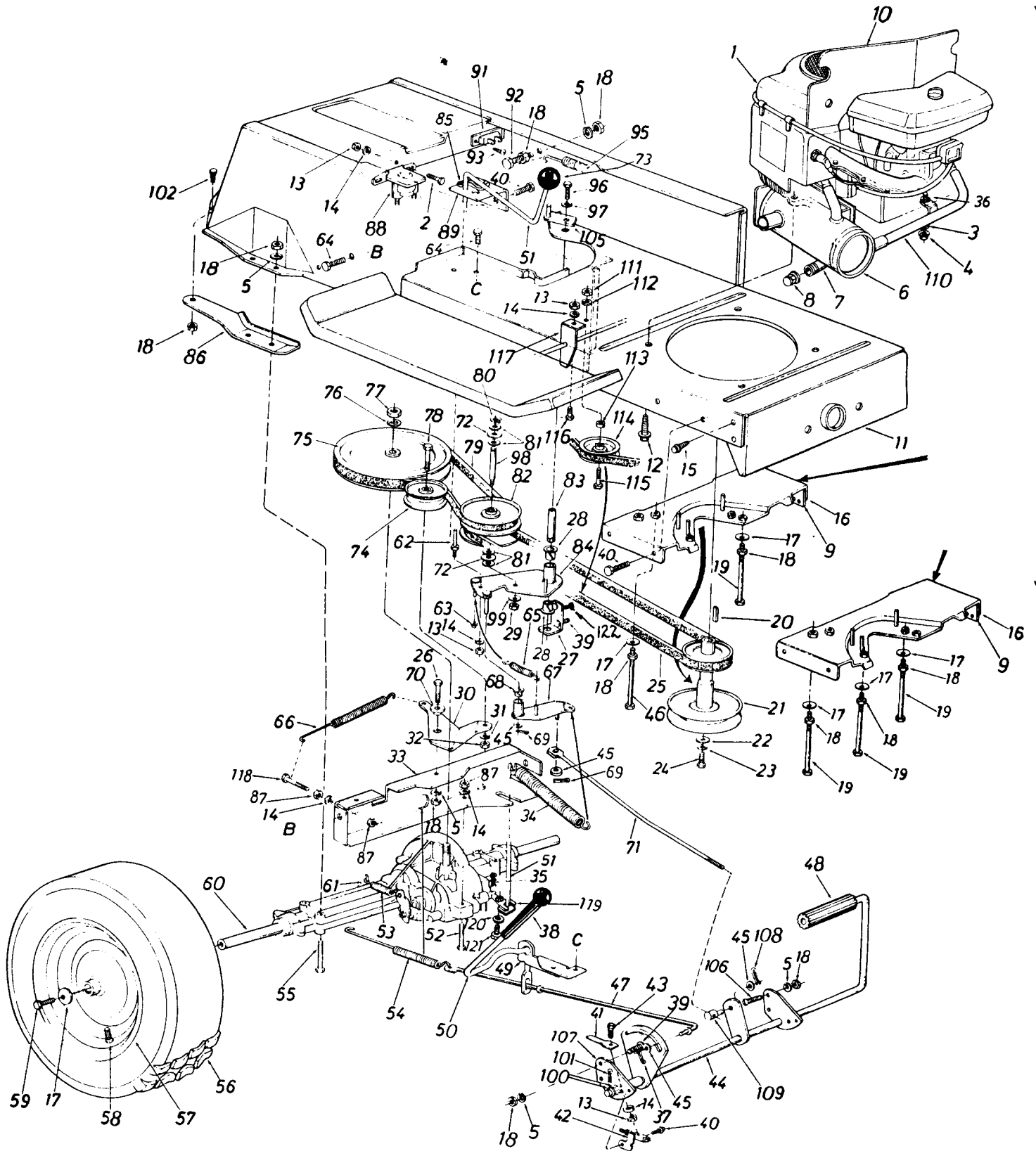
788-0500	Argent
788-0104	Noir



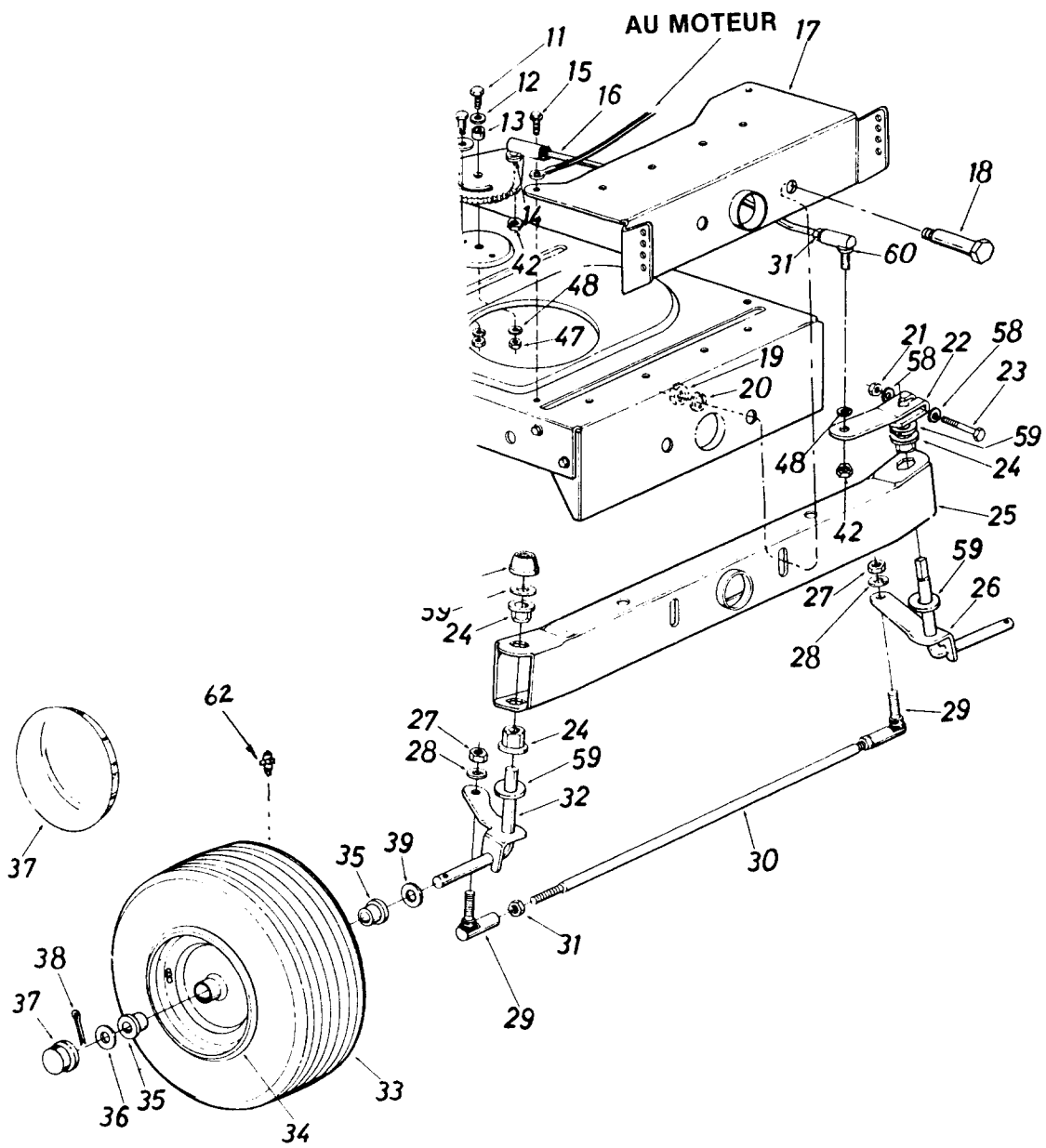
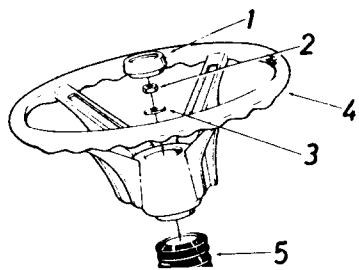
N° de Réf.	N° de la Pièce	Description
1	725-0459	Coupe-circuit
2	725-0759	Interrupteur à ressort
3	725-0819	Contacteur de sécurité
4	725-0201	Contacteur de clé
5	725-0267	Contacteur d'allumage
6	725-0634	Contacteur de phare
7	722-0135	Bande de mousse
8	725-0925	Ampèremètre
9	725-0994	Fil de mise à la masse 14 po de lg.
10	725-0453	Batterie
11	725-0577	Contacteur de sécurité
12	725-0916	Fil de mise à la masse
13	725-1058	Douille
16	725-0963	Phare
17	725-1179	Faisceau de fils
18	725-1080	Fil électrique 27.0 po de lg.
19	725-0562	Fil électrique 32.5 po de lg.
20	725-0771	Solénoïde



N° de Réf.	N° de Pièce	Description
1	15808A	Capot
2	710-0255	Vis à tête hexagonale ¼-20 x .62
3	736-0463	Rondelle plate .281 DI x .62 DE x .051
4	736-0169	Rondelle-frein ⅜ DI
5	712-0798	Écrou hex. ⅜-16
6	712-0272	Écrou hexagonal n° 10-24
7	736-0931	Rondelle plate .203 DI x .406 DE x .040
8	727-0290	Câble de frein 11.00 po de lg.
9	710-0473	Vis à métaux a tête bombée 10-24 x .50
10	723-0138	Bande en mousse
11	746-0613	Ensemble d'étrangleur
12	712-0113	Écrou à oreilles
13	738-0145	Boulon à épaulement diam. .50 x .84
14	725-0994	Fil électrique
15	725-0963	Phare
16	725-1058	Douille
17	731-0705	Logement de phares
18	731-0706	Lentille
19	712-0107	Contre-écrou ¼-20
20	710-0118	Vis à tête hex. ⅜-18 x .75
21	15804A	Grille
22	15818A	Support du tableau de bord
23	736-0119	Rondelle-frein ⅜ DI
24	712-0267	Écrou hex. ⅜-18
25	711-0222	Support de batterie
26	731-0707	Couvercle de batterie
27	725-0453	Batterie
28	14606	Bâti inférieur
29	14619	Support de pivot avant
30	15821	Support de montage de la calandre - gauche
31	15822	Support de montage de la calandre - droit
32	710-0607	Vis taraudée ⅜-18 x .50
33	738-0526	Tige du marche pied
34	14604	Support du marchepied (C.D. et C.G.)
35	736-0607	Rondelle-frein extérieur ⅜
36	712-0287	Écrou hex. ¼-20
37	736-0329	Rondelle-frein ¼ DI
38	710-0323	Vis de renforcement usinée ⅜-18 x .75
39	723-0360	Patin de pied
40	710-0642	Vis taraudée ¼-20
41	14602	Bâti latéral - droit
42	15848	Support d'aile
43	16221	Aile arrière
44	710-0351	Vis de renforcement taraudée n° 10 x .50
45	710-0167	Boulon ordinaire ¼-20 x .5 po de lg
46	731-0511-5	Baguette de garniture 5 po de lg.
47	16433	Panneau de la transmission
48	725-0759	Contacteur de sécurité (arrière)
49	726-0222	Plaque d'écrou isolateur
50	731-0511-27	Baguette de garniture 27 po de lg.
51	14603D	Bâti latéral - gauche
53	12747	Support de batterie
54	710-0166	Vis de renforcement usinée ¼-20 x 1.00
55	16469	Couvercle latéral - droit
	15815	Couvercle latéral gauche (non illustré)
56	710-0286	Vis de renforcement à tête cintrée ¼-20 x .50
58	736-0921	Rondelle-frein ½ DI
59	831-0823	Boîte de commande d'accélérateur complet
60	746-0503	Fil de commande de l'accélérateur
61	710-0376	Vis à tête hex. ⅜-18 x 1.00
62	732-0458	Ressort de siège
63	725-0201	Clavette
64	725-0267	Contacteur d'allumage
65	16489	Tableau de bord
66	725-1130	Commutateur d'éclairage
67	725-0925	Ampèremètre
68	731-0511	Baguette de garniture
69	732-0462	Ressort d'extension .38 x 14.3
70	757-0309	Siège
71	710-0493	Vis à tête hex. ½-20 x 1.00 po de lg.
72	726-0139	Écrou rapide n° 10Z
73	710-0749	Vis hexagonal n° 10-24 x 1.0 po de lg.
74	710-0779	Vis taraudée
75	15931	Bande du panneau latéral de la calandre
76	731-0511	Baguette de garniture
77	710-0642	Vis taraudée ¼-20 x .75
78	722-0157	Bande de mousse ⅜ x 1 ⅜ x 1 ½
79	710-0227	Vis taraudée n° 8 x .50 Lg.
82	16371	Support du câble de frein
83	725-0154	Attache-câble
90	710-0924	Vis de renforcement usinée ¼-20 x .75
91	16194	Plaque du sélecteur à 7 vitesses
92	720-0175	Bouton
93	16192	Came du sélecteur de la vitesse
94	736-0192	Rondelle plate .531 DI x 1.13 DE
95	711-0198	Virole
96	738-0155	Vis à épaulement
97	16355	Tige de commande de vitesse
98	714-0507	Goupille fendue
99	736-0226	Rondelle plate
100	736-0119	Rondelle Belleville
101	712-0267	Écrou hex. ⅜-18
102	714-0507	Goupille fendue ⅜ x .75 Lg.
103	732-0303	Ressort d'extension
104	16196	Plaque de collier
105	757-0315	Attaché - rouge
106	732-0157	Ressort d'extension

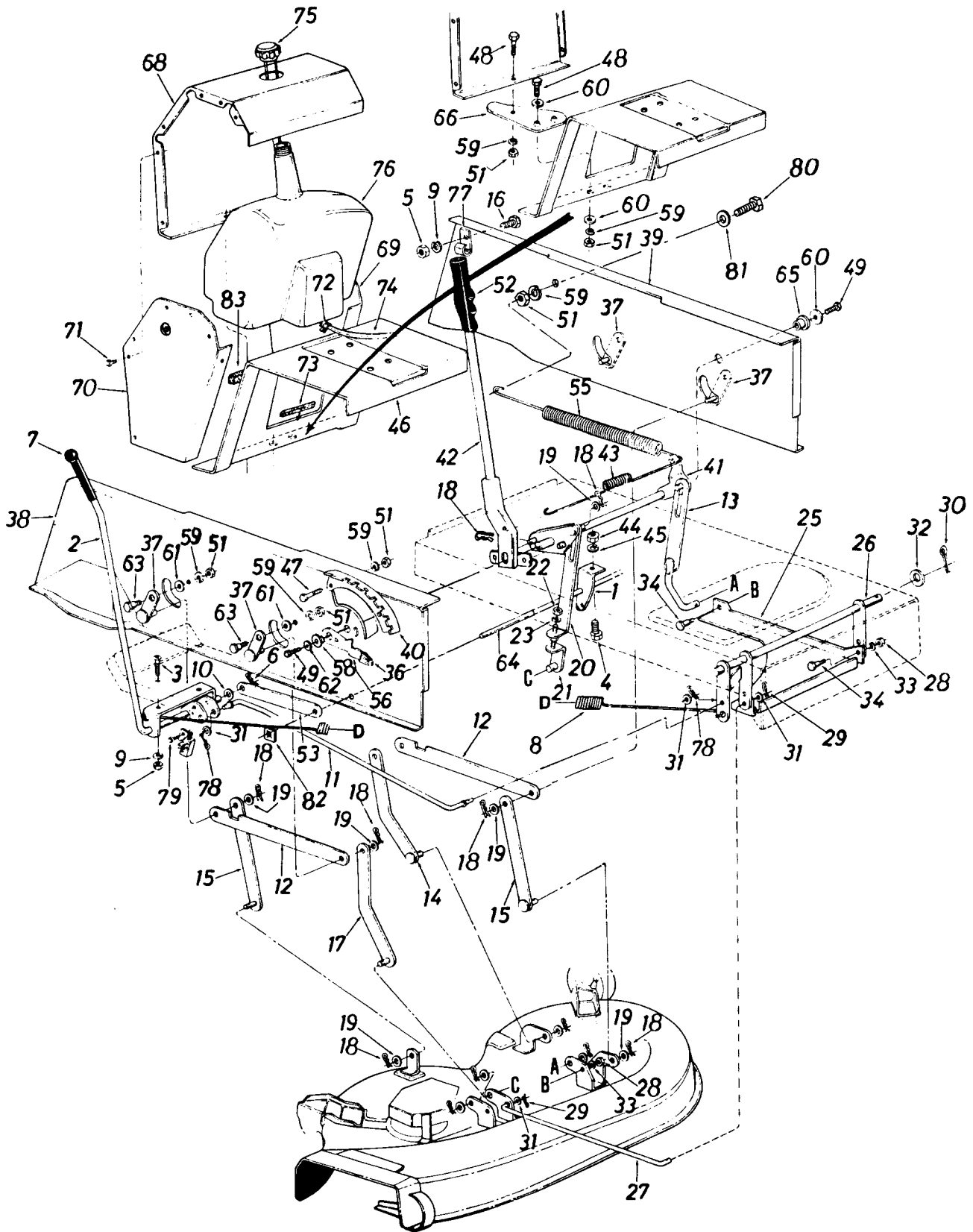


N° de Réf.	N° de la Pièce	Description
1		Moteur
2	710-0258	Vis à tête hex 1/4-20 x .62
3	736-0170	Rondelle-frein - spéciale 3/16" DI x .88
4	712-0267	Écrou Hex 3/16-18
5	736-0119	Rondelle-frein 1/4 DI
6	751-0444	Silencieux
7	737-0164	Raccord de tuyau 3/8-18
8	737-0143	Capuchon de tuyau 3/8-18
9	16371	Support du câble de frein
10	16215	Protecteur chapeau
11	15930	Bâti inférieur
12	710-0502	Vis à tête hex. 3/8-16 x 1.25
13	712-0287	Écrou hex 1/4-20
14	736-0329	Rondelle-frein 1/4 DI
15	710-0726	Vis taraudée 3/16 x .75
16	16219A	Support du protecteur de courroie
17	736-0105	Rondelle Belleville .40 DI x .88 DE x .060
18	712-0267	Écrou Hex 3/16-18
19	710-0190	Boulon hex. 3/16-18 x 4.00
20	714-0114	Clavette carrée 1/4 x 2.00
21	756-0424	Poulie de moteur
22	736-0322	Rondelle plate 7/16 DI x 1.25 DE x .180
23	736-0171	Rondelle-frein 7/16 DI
24	710-0757	Vis à tête hex. 7/16-20 x 1.50
25	754-0280	Courroie à vitesse variable de .715 x 53.0 po de lg
26	710-0118	Vis à tête hex. 3/16-18 x .75
27	16553	Support de l'arbre à roulement
28	741-0295	Roulement Nylon à bride 3/4 DI x .88 po de lg
29	712-0241	Écrou hexagonal 3/4-24
30	15891	Support du tendeur
31	736-0169	Rondelle-frein 3/4 DI
32	712-0241	Écrou hexagonal 3/4-24
33	15945	Support du transsieu
34	732-0459	Ressort d'extension .99 DE x 6.7
35	714-0149	Goupille fendue 1/4 x 1.0
36	736-0204	Rondelle plate .34 DI x .87 DE x .033
37	714-0111	Goupille fendue 3/32 Dia. x 1.00 Lg
38	720-0143	Poignée
39	710-0323	Vis de renforcement usinée 3/16-18 x .75
40	710-0599	Vis taraudée 1/4-20 x .50
41	732-0435	Déclencheur du commutateur
42	725-0577	Contacteur de sécurité
43	710-0597	Rondelle à tête hex vis taraudée AB
44	16235	Pédale d'embrayage frein gauche
45	736-0117	Rondelle plate .385 DI x .62 DE x .033
46	710-0402	Vis Hex 3/16-18 x 4.5
47	747-0519	Tige de frein 20.9 po de lg.
48	735-0196	Patin de pédale
49	15889	Support de levier de frein
50	15888	Poignée du frein pour stationnement sur pente
51	16430	Levier de changement de vitesse
52	710-0559	Vis à tête hexagonale 1/4-28 x 1.75
53	732-0264	Ressort d'extension 3/4 DE x 2.5
54	732-0413	Ressort d'extension .590 DE x 7.08
55	710-0176	Vis à tête hexagonale 3/16-18 x 2.75
56	734-0817-500	Ensemble de roue complet 18 x 9.5 (Argent)
57	734-0448	Pneu seulement
58	734-03-500	Jante seulement (Argent)
59	734-0255	Soupape de gonflage
60	710-0627	Boulon Hex 3/16-24 x .75
61	717-1050	Transsieu complet
62	732-0454	Fixation du ressort de retour du frein
63	711-0768	Goupille 1/4-20 x 1.0
64	726-0106	Capuchon
65	710-0604	Vis taraudée
66	732-0387	Ressort d'extension
67	732-0384	Ressort d'extension diam. .50 po
68	16554	Support à vitesse variable
69	741-0419	Roulement Nylon à bride
70	714-0507	Goupille fendue 3/32 x .75
71	748-0234	Entretoise épaulée
72	747-0530	Maille de commande de vitesse
73	741-0405	Roulement .56 Dia. x 1.25
74	720-0165	Boulon à bille de 1/4 po de diam. avec 3/16-16
75	756-0437	Tendeur 3.25 x 1.0
76	756-0374	Poulie .501 DI x 8.0 DE
77	736-0921	Rondelle-frein 1/2 DI
78	712-0922	Écrou hexagonal 1/2-20
79	710-0539	Boulon hex. 3/4-24 x .75
80	754-0281	Courroie à vitesse variable .715 x 44 po de lg
81	716-0114	Jonc d'arrêt
82	736-0355	Rondelle plate
83	717-0800	Poulie à vitesse variable .5 DE
84	711-0766	Arbre de roulement
85	16354	Support à vitesse variable
86	732-0525	Ressort de compression
87	14770A	Support d'essieu - droit
88	14769	Support d'essieu - gauche (non illustré)
89	712-0138	Écrou hexagonal 1/4-28
90	725-0771	Solénoïde
91	16429	Support de levier de changement de vitesse
92	725-0459	Coupe-circuit
93	710-0959	Boulon hexagonal 3/16-18 x 1.5
94	710-0351	Vis de renforcement taraudée n° 10 x .50
95	732-0307	Ressort d'extension
96	710-0180	Boulon Hex 3/4-24 x .75
97	736-0105	Rondelle Belleville .400 DI x .88 DE x .06
98	738-0569	Arbre de .56 diam. x 3.875
99	736-0331	Rondelle Belleville .39 DI x 1.12 DE
100	736-0256	Rondelle plate 1/4 DI x 1.0 DE x .030
101	714-0470	Goupille fendue 1/4" Dia x 1.25
102	710-0604	Vis taraudée 3/16-18 x .62
103	16067	Protecteur de courroie
104	710-0323	Vis taraudée 3/16-18 x .75
105	15835	Support de pédale
106	714-0145	Goupille fendue Dia. 3/4
107	711-0198	Virole
108	751-0446	Tube d'admission
109	712-0798	Contre-écrou hex 3/4-16
110	736-0169	Rondelle-frein 3/4 DI
111	736-0280	Rondelle plate .390 DI x 1.12 DE x .187
112	756-0217	Tendeur plate avec collier
113	710-0427	Vis à tête hexagonale 3/8-16 x 20
114	710-0258	Boulon hex. 1/4-20 x .62
115	16181	Support du crochet à ressort
116	710-0428	Boulon hex. 1/4-28 x 1.25
117	16437	Levier de vitesse - tringlerie
118	736-0270	Rondelle Belleville .265 DI x .75 DE
119	710-0195	Boulon hex 1/4-28 x .62
120	710-0971	Vis usinées à tête cintrée - Phillips 3/16-18 x 1.00

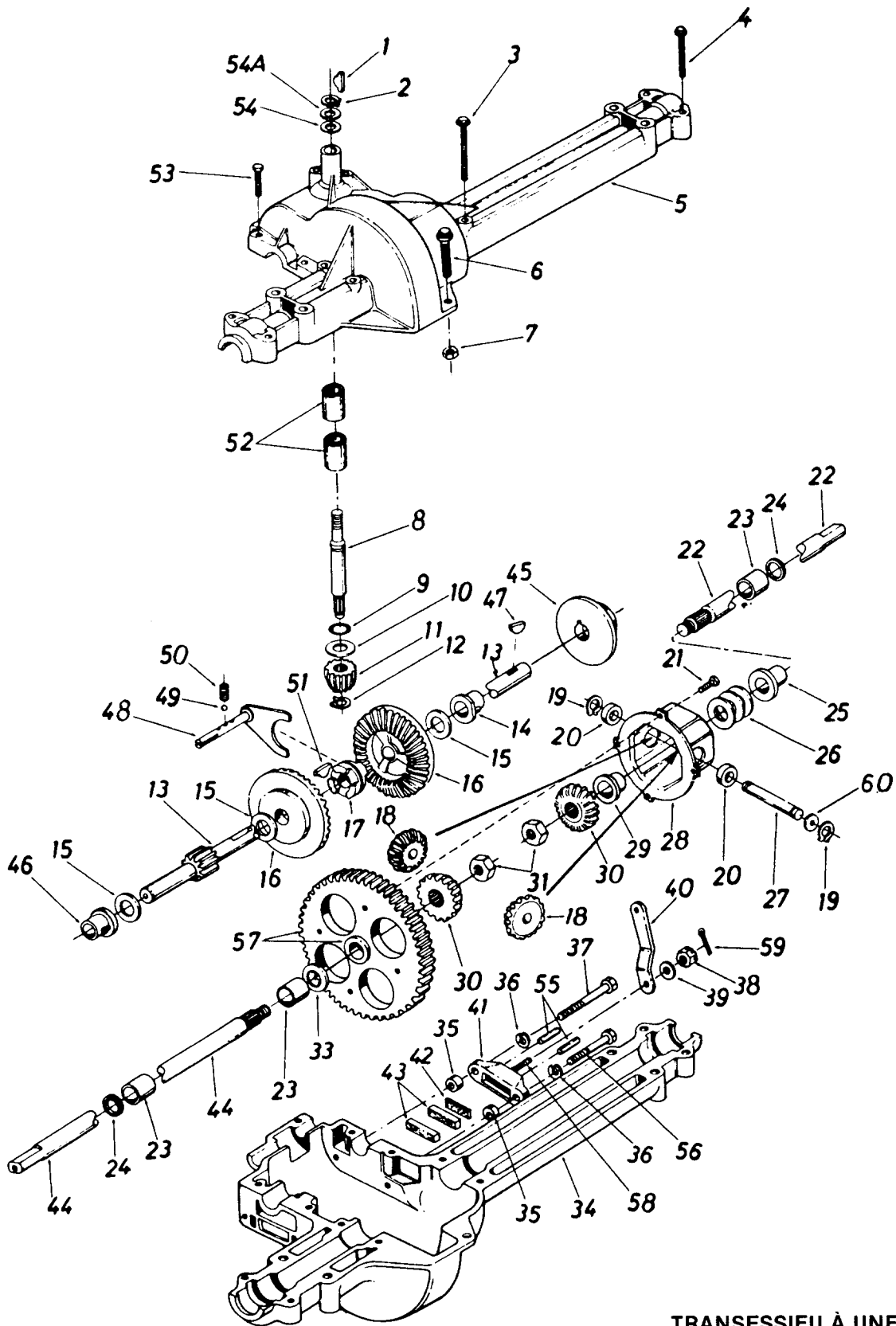




N°de Réf.	N°de la Pièce	Description
1	731-0220	Chapeau de volant
2	712-0237	Contre-écrou hex. $\frac{5}{16}$ -24
3	738-0242	Rondelle Belleville .345 DI
4	731-0806	Volant
5	731-0559	Colonne de direction
6	16512	Colonne de direction
7	741-0356	Roulement .890 DI x 1.36 DE
8	712-0324	Écrou de blocage $\frac{1}{4}$ -20
9	736-0319	Rondelle plate .438 DI x 1.37 DE
10	738-0141	Boulon à épaulement dia. .437 x .350
11	710-0152	Boulon hex $\frac{3}{8}$ -24 x 1.00
12	736-0258	Rondelle plate .385 DI x 1.00 DE x .135
13	750-0535	Entretoise .380 DI x .625 DE x .227
14	736-0169	Rondelle plate $\frac{3}{8}$ DI
15	710-0726	Vis usinée à tête rondelle $\frac{5}{16}$ x .75
16	711-0788	Barre de direction
17	14619A	Support de pivot - avant
18	738-0527	Vis à épaulement .498 dia. x 2.04
19	712-0798	Écrou hex $\frac{3}{8}$ -16
20	736-0169	Rondelle-frein $\frac{3}{8}$
21	712-0237	Écrou central hex type L $\frac{5}{16}$ x 24
22	16481	Bras de direction d'essieu avant
23	710-0772	Boulon hex. $\frac{5}{16}$ -24 x 2.00 Lg.
24	741-0225	Roulement à collets .634 DI
25	14608	Barre pivot
26	16479	Ensemble d'essieu avant C.G.
27	712-0241	Écrou hexagonal $\frac{3}{8}$ -24
28	736-0169	Rondelle-frein $\frac{3}{8}$
29	723-0156	Joint à rotule $\frac{3}{8}$ -24
30	711-0613	Barre d'accouplement
31	712-0711	Écrou hexagonal $\frac{3}{8}$ -24
32	14650A	Ensemble d'essieu avant C.D.
33	734-0998-500	Assemblage de roue 15 x 6.00 Rib Tread
	734-0498	Pneu seulement
34	734-0997-500	Jante seulement
	734-0255	Valve de gonflage
	737-0146	Raccord graisseur
35	741-0313	Roulement
36	736-0187	Rondelle plate .640 DI x 1.54 DE
37	731-0484	Chapeau de moyeu de roue avant (plastique avant)
38	714-0470	Goupille fendue dia. $\frac{1}{8}$ x 1.25
39	736-0187	Rondelle plate .640 DI x 1.54 DE
40	726-0214	Chapeau à enfoncer dia $\frac{3}{8}$ po
42	712-0241	Écrou hexagonal $\frac{3}{8}$ -24 x .62
43	710-0538	Boulon hex. $\frac{5}{16}$ -18 x .62
44	736-0119	Rondelle-frein $\frac{5}{16}$
45	736-0231	Rondelle plate .344 DI x 1.125 DE x .125
46	750-0532	Vis taraudée $\frac{5}{16}$ x .62
47	712-0241	Écrou hexagonal $\frac{3}{8}$ -24
48	736-0169	Rondelle-frein $\frac{3}{8}$
49	712-0267	Écrou hex. $\frac{5}{16}$ -18
50	736-0119	Rondelle-frein $\frac{5}{16}$
51	717-0622	Secteur de direction
52	741-0225	Roulement à collets .630 DI
53	736-0187	Rondelle plate .64 DI x 1.24 DE x .06
54	738-0522A	Arbre de direction-inférieur
55	710-0958	Vis à tête hex. $\frac{1}{4}$ -20 x 1.25
57	710-0837	Vis à tête ovale fraisée n° 10 x $\frac{5}{8}$
58	736-0271	Rondelle ondulée .32 DI x .62 DE
59	736-0187	Rondelle plate .64 DI x 1.24 DE x .06
60	723-3018	Tringle de traction avec joint à rotule $\frac{3}{8}$ -24
62	737-0146	Raccord graisseur - (illustré)
	737-3007	Graisse - Dubois CL5350 .5 on (par roue)



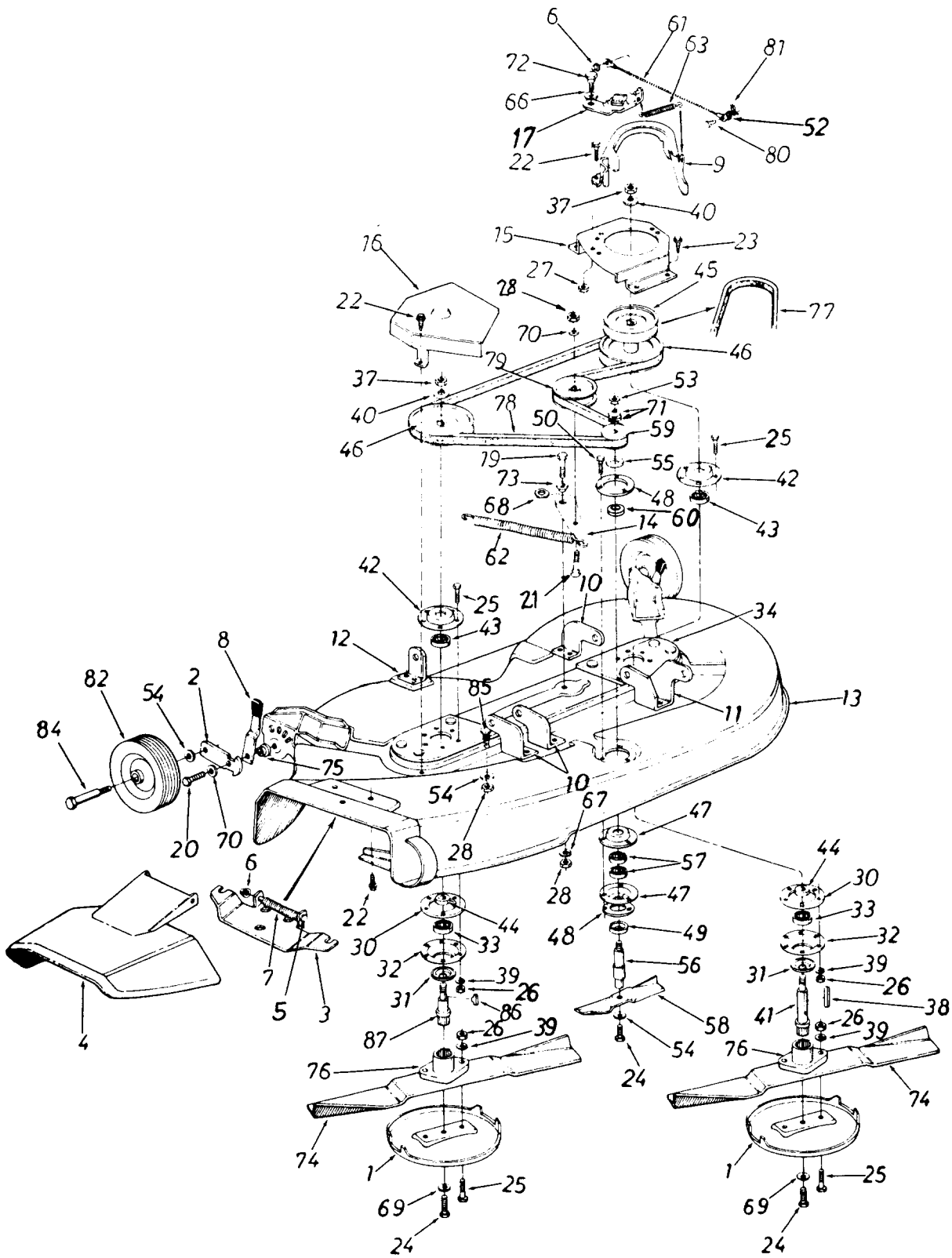
N° de Réf.	N° de la Pièce	Description
1	16181	Support du crochet à ressort
2	16212	Levier d'embrayage
3	710-0323	Vis de renforcement usinée $\frac{5}{16}$ -18 x .75
4	710-0258	Vis à tête hexagonale $\frac{1}{4}$ -20 x .62
5	712-0267	Écrou hex $\frac{5}{16}$ -18
6	714-0111	Goupille fendue $\frac{3}{32}$ Dia. x 1.00 Lg
7	720-0143	Poignée
8	732-0531	Ressort d'extension .99 DE x 22.0 po de lg
9	736-0119	Rondelle-frein $\frac{5}{16}$ DI
10	736-0160	Rondelle plate .53 DI x .93 DE x .050
11	747-0491A	Tige de commande
12	09735	Bielle
13	16178	Tringlerie de corps
14	16209	Tringlerie de support de corps - gauche arrière
15	16216	Tringlerie de support de corps
16	710-0118	Boulon hex $\frac{5}{16}$ -18 x .75
17	16345	Tringlerie de support de corps - avant droite
18	714-0101	Goupille fendue - Int.
19	736-0160	Rondelle plate .531 DI x .93 DE
20	16063	Tringlerie de support de corps
21	16342	Ensemble de tringlerie inférieur
22	712-0241	Contre-écrou hexagonal $\frac{3}{8}$ -24
23	736-0169	Rondelle-frein $\frac{3}{8}$ DI
25	16214	Support diagonal
26	16234	Arbre de stabilisation
27	711-0777	Tige de stabilisation
28	712-0798	Contre-écrou hex $\frac{3}{8}$ -16
29	714-0111	Goupille fendue Dia. $\frac{3}{32}$ x 1 po de lg.
30	714-0470	Goupille fendue $\frac{1}{8}$ " Dia. x 1.25
31	736-0117	Rondelle plate .385 DI x .62 DE x .033
32	736-0156	Rondelle plate .635 DI x 1.12 DE x .090
33	736-0169	Rondelle-frein $\frac{3}{8}$ DI
34	738-0258	Vis à épaulement .500 Dia. x .25
36	08540	Bouton
37	09721	Maillon d'articulation
38	14602	Bâti latéral - droit
39	14603D	Bâti latéral - gauche
40	16557	Support de relevage de corps
41	16463	Arbre de relevage
42	16465	Poignée de relevage
43	732-0498	Ressort d'extension .56 DI
44	712-0287	Écrou hex $\frac{1}{4}$ -20
45	736-0329	Rondelle-frein $\frac{1}{4}$ DI
46	16223	Plaque d'attelage
47	710-0118	Boulon hex $\frac{5}{16}$ -18 x .75
48	710-0376	Vis à tête hex. $\frac{5}{16}$ x 1.00
49	710-0604	Vis taraudée $\frac{5}{16}$ -18 x .62
51	712-0267	Écrou hex $\frac{5}{16}$ -18
52	720-0157	Embout
53	16369	Tringlerie 1.0 x 7.5 x .19
55	732-0307	Ressort d'extension
56	732-0412	Relevage de corps
58	748-0176	Roulement à bride de .630 DE
59	736-0119	Rondelle-frein $\frac{5}{16}$ ID
60	736-0231	Rondelle plate .344 DI x 1.125 DE x .125
61	736-0264	Rondelle plate .344 DI x .625 DE x .063
62	736-0231	Rondelle plate .344 DI x 1.125 DE x .125
63	738-0140	Boulon à épaulement .437 x .180
64	738-0526	Tige du marche pied
65	741-0313	Roulement à collets .632 DI
66	16315	Barre d'attelage
68	16238	Carter de réservoir à carburant - Bâti
69	16239	Panneau latéral - gauche (réservoir à carburant)
70	16240	Panneau latéral droit - (réservoir à carburant)
71	710-0351	Vis de renforcement taraudée n° 10 x .50
72	726-0207	Collier de tuyau dia. .406 po
73	731-0511	Baguette de garniture
74	751-0173	Tuyau - noir LC-162-D2
75	751-0226	Jauge à carburant
76	751-0403	Réservoir à carburant
77	726-0175	Collier de $\frac{5}{16}$ DE po de diam.
78	714-0507	Goupille fendue diam $\frac{3}{32}$ x .75 po de lg.
79	710-0599	Vis taraudée $\frac{1}{4}$ x .50 po de lg.
80	710-0959	Boulon hex $\frac{5}{16}$ -18 x 1.50 po de lg.
81	736-0159	Rondelle plate .344 DI x .875 DE
82	712-0247	Écrou rapide
83	722-0155-2	Bande en mousse $\frac{3}{8}$ x .75 x 7.0



TRANSESSIEU À UNE VITESSE  
 MODÈLE 717-1050

N°de Réf.	N°de la Pièce	Description
1	714-0129	Clavette Hi-Pro $\frac{3}{32}$ x $\frac{5}{8}$ Dia.
2	716-0115	Jonc d'arrêt pour arbre de $\frac{5}{8}$
3	710-0854	Boulon hexagonal $\frac{1}{4}$ -20 x 1.75
4	710-0809	Boulon hexagonal $\frac{1}{4}$ -20 x 1.25
5	717-0764	Carter supérieur
6	710-0889	Vis hexagonal $\frac{1}{4}$ -20 x .75
7	712-0287	Écrou hex. $\frac{1}{4}$ -20 Thd.
8	717-0634	Arbre d'entrée
9	721-0178	Joint de $\frac{5}{8}$ po DI
10	736-0335	Rondelle de butée $\frac{5}{8}$ DI x 1.25 DE
11	717-0633	Entrée à pignon - 14 dents
12	716-0108	Jonc d'arrêt pour arbre de .438 po de diam.
13	717-0758	Arbre d'entraînement - droit
14	741-0336	Roulement à collet $\frac{5}{8}$ DI x $\frac{3}{4}$
15	**	Rondelle plate - voir plus bas
16	717-0757	Pignon conique 42 dents
17	717-0667	Collier d'embrayage
18	717-1020	Engrenage à onglet
19	716-0142	Jonc d'arrêt
20	717-0690	Palier à butée $\frac{1}{2}$ po DI x 1.0 DE
21	710-0862	Vis à tête cylindrique $\frac{1}{4}$ -20 x .50 avec pièce
22	717-1012	Essieu - Droit
23	741-0340	Palier à douille $\frac{3}{4}$ DI x 1 po
24	721-0179	Joint d'étanchéité d'huile $\frac{3}{4}$ DI
25	741-0339	Roulement $\frac{3}{4}$ DI x $1\frac{5}{16}$
26	736-0188	Rondelle plate .76 DI x 1.49 DE x .06
27	717-0673	Arbre transversal
28	717-0777	Carter de différentiel
29		Avec réf. n° 28
30	717-1019	Engrenage à onglet
31	712-0200	Écrou de blocage $\frac{1}{2}$ -20
33	736-0188	Rondelle plate .76 DI x 1.49 DE x .06
34	717-0761	Carter inférieur
35	750-0555	Cale d'espacement .53 DE x $\frac{3}{8}$
36	736-0329	Rondelle-frein $\frac{1}{4}$ po
37	710-0886	Boulon hexagonal $\frac{1}{4}$ -20 x 1.50 po
38	712-0335	Écrou à crénaux $\frac{5}{16}$ -24
39	736-0159	Rondelle plate .344 DI x .88 DE x .062
40	717-0700	Tige d'attaque - droite
41	717-0679	Fourche de freinage
42	717-0682	Plaque à galet
43	717-0678	Galet de frein
44	717-1011	Essieu - gauche
45	717-0677	Disque de frein
46	741-0337	Roulement à bride $\frac{5}{8}$ DI x $\frac{5}{16}$
47	714-0161	Clavette Woodruff $\frac{3}{16}$ x $\frac{5}{8}$
48	717-0754	Fourchette de changement de vitesse
49	741-0862	Bille de verrouillage .250 diam.
50	732-0863	Ressort de verrouillage
51	714-0169	Clavette - Hi-Pro $\frac{3}{16}$ x $\frac{3}{4}$ Diam.
52	741-0335	Roulement à aiguilles $\frac{5}{8}$ DI x $\frac{1}{2}$
53	710-0855	Boulon hexagonal $\frac{1}{4}$ -20 x 1.00 Lg.
54	736-0336	Rondelle plate $\frac{5}{8}$ DI x .030
54A	736-0337	Rondelle plate $\frac{5}{8}$ DI x .040
55	741-0343	Goupille d'attaque de $\frac{5}{16}$ po de diam.
56	710-0886	Boulon hexagonal $\frac{1}{4}$ -20 x 1.50
57	717-0767	Pignon différentiel 72 dents (avec roulement)
58	717-0681	Boulon à tête carée $\frac{5}{16}$ -24
59	712-0256	Contre-écrou $\frac{5}{16}$ -24
60	736-0369	Rondelle plate .50 DI x 1.0 DE x .02

\*\* Réf n° 15 736-0349 Rondelle plate  $\frac{5}{8}$  DI x 1.0 DE  
736-0336 Rondelle plate  $\frac{5}{8}$  DI x 1.0 DE  
736-0337 Rondelle plate  $\frac{5}{8}$  DI x .040 DE



Assemblée du Fuseau C.D.  
717-0618

Assemblée du Fuseau C.G.  
717-0617

N°de Réf.	N°de la Pièce	Description
1	07919	Plaque anti-arrachage de l'herbe
2	10937	Barre de pivot de roue
3	11396	Adaptateur
4	11574	Couvercle de goulotte complet
5	711-0571	Axe d'articulation
6	726-0106	Capuchon
7	732-0261	Ressort de torsion
8	14082	Lever de ressort
9	14258	Protecteur de courroie
10	16175	Support de corps
11	16176	Support
12	16180	Support de corps
13	16231	Corps 44 po - complet
14	16331	Support du tendeur
15	16333A	Couvercle de poulie - C.G.
16	16334	Couvercle de poulie - C.D.
17	16337	Bras de freinage de l'arbre
19	710-0152	Vis à tête hexagonale 3/8-24 x 1.00
20	710-0191	Vis à tête hexagonale 3/8-24 x 1.25
21	710-0459	Vis à tête hexagonale 3/8-24 x 1.50
22	710-0599	Vis taraudée 1/4-20 x .50
23	710-0726	Vis taraudée 5/16 x .75
24	710-0877	Vis en blocage hexagonal 3/8-24 x .88
25	710-0888	Boulon hex. 5/16-24 x 1.00
26	712-0123	Ecrou hex. 5/16-24
27	712-0158	Contre-écrou hex. 5/16-18
28	712-0241	Écrou hexagonal 3/8-24
30	09164	Plaque de renforcement
31	13703	Écran des roulements
32	15296	Boîtier à roulements
33	741-0919	Roulement à billes .787 DI x 1.85 DE x .56
34	16349	Fusée et plaque de montage
37	712-0318	Contre-écrou hex. 5/16-18
38	714-0168	Clavette carrée 3/16 x 1.5
40	736-0317	Rondelle Belleville 5/8 DI x 1.25 DE
41	738-0632	Fusée de lame (44 po corps)
42	08253	Boîtier de roulements à billes
43	741-0919	Roulement à billes .787 DI x 1.85 DE x .56
44	750-0456	Entretoise .80 DI x 1.0 DE
45	756-0329	Poulie en «V» de 3/8 po .79 DI x 5.75 DE
46	756-0470	Poulie en «V» .79 DI x 6.50 DE
47	15319	Boîtier de roulements à billes 1 3/8 DI
48	16348	Plaque de renforcement
49	16400	Écran des roulements
50	710-0947	Vis à tête hexagonale 1/4 x .75 po de lg.
52	736-0142	Rondelle-plate .28 DI x .50 DE
53	712-0922	Écrou hexagonal 1/2-20
54	736-0105	Rondelle Belleville .400 DI x .88 DE x .06
55	736-0162	Rondelle plate .635 DI x 1.00 DE x .120
56	738-0627	Fusée de lame 6.5 po
57	741-0155	Roulement à billes .62 DI x 1.38 DE x .43
58	742-0252	Lame 6.50 po
59	756-0468	Poulie de 1/2 po .625 DI x 2.25 DE
60	736-0302	Rondelle plate 3/8 DI x 1 1/16 DE
61	727-0290	Câble de frein 11.00 po de lg
62	732-0121	Ressort extérieur de tendeur
63	732-0395	Ressort d'extension .50 x 2.51 po de lg
66	736-0141	Rondelle à ressort .445 DI x .75 DE x .017
68	736-0174	Rondelle ondulée .660 DI x .88 DE x .010
69	736-0217	Rondelle-frein 3/8 DI
70	736-0105	Rondelle Belleville .400 DI x .88 DE x .06
71	736-0253	Rondelle Belleville .505 DI x 1.00 DE x .075
72	738-0140	Boulon à épaulement .437 Dia x .180
73	738-0347	Entretoise épaulée
74	742-0295	Lame 21 po
75	748-0279	Entretoise
76	748-0300	Adaptateur de lame
77	754-0229	Courroie trapézoïdale .50 x 52 po de lg
78	754-0293	Courroie trapézoïdale 1/2 x 74.0 po de lg
79	756-0365	Tendeur de poulie plate 3.50 DE
80	711-0701	Axe de chape 1/4 x 1/2
81	714-0104	Goupille fendue 5/16 Dia.
82	734-0974	Ensemble de roue complet 6 po
84	738-0455	Vis épaulée 4.98 diam x 1.53 po de lg 3/8-16
85	710-0617	Boulon à collet à tête ronde 3/8-24 x 1.0
86	714-0122	Clavette carrée 3/16 x 3/4
87	738-0633	Fusée de lame

# SEARS

## manuel du propriétaire

**MODÈLE NO  
C459•60416**

# SEARS

est à  
**VOTRE  
SERVICE**

Numéro de  
série \_\_\_\_\_

Vous trouverez le numéro du  
modèle et le numéro de série  
sur la plaque d'identification

Enregistrez les numéros du  
modèle et de série et  
conservez-les pour pouvoir  
vous y reporter.

### COMMENT OBTENIR DES PIÈCES DE RECHANGE

Chaque TRACTEUR DE JARDIN a son propre NUMÉRO DE MODÈLE  
Chaque MOTEUR a son propre NUMÉRO DE MODÈLE

Vous trouverez le NUMÉRO DE MODÈLE du TRACTEUR DE  
JARDIN sur une plaque fixée à l'arrière du corps du  
TRACTEUR DE JARDIN, sur le dessus.

Le NUMÉRO DE MODÈLE du moteur se trouve sur le  
TRACTEUR DE JARDIN.

Lorsque vous désirez obtenir des services d'entretien et des  
pièces de rechange, mentionnez toujours ces numéros.

Toutes les pièces énumérées ici doivent être commandées  
auprès des magasins ou des CENTRES DE SERVICE SEARS  
CANADA INC. Si les pièces que vous désirez ne sont pas en  
stock, votre commande sera transmise électroniquement à un  
centre de distribution de pièces SEARS et traitée immédiate-  
ment.

Lorsque vous commandez des pièces de rechange par cour-  
rier, les prix de vente seront fournis sur demande, ou les  
pièces seront expédiées au prix en cours et vous serez facturé  
en conséquence.

**LORSQUE VOUS COMMANDEZ DES PIÈCES DE RECHANGE,  
FOURNISSEZ TOUJOURS LES INFORMATIONS SUIVANTES.**

1. NUMÉRO DE PIÈCE
2. DESCRIPTION DE LA PIÈCE
3. NUMÉRO DE MODÈLE - C459•60416
4. NOM DE LA MACHINE - 16 HP 44 po TRACTEUR DE JARDIN
5. NUMÉRO DU MODÈLE DU MOTEUR - 402707-0241-01

Vos produits Sears prennent une valeur supplémentaire grâce  
aux centres de service Sears dans tout le pays. Chaque centre  
emploie des techniciens qualifiés utilisant les méthodes  
Sears approuvées.



## Free Manuals Download Website

<http://myh66.com>

<http://usermanuals.us>

<http://www.somanuals.com>

<http://www.4manuals.cc>

<http://www.manual-lib.com>

<http://www.404manual.com>

<http://www.luxmanual.com>

<http://aubethermostatmanual.com>

Golf course search by state

<http://golfingnear.com>

Email search by domain

<http://emailbydomain.com>

Auto manuals search

<http://auto.somanuals.com>

TV manuals search

<http://tv.somanuals.com>