

OWNER'S MANUAL

SEARS

Kenmore

SEWING MACHINE

MODELS 385. 1274180
385. 1264180
or
385. 1254180

SEARS, ROEBUCK AND CO.

Dear Customer:

You have just invested in a very fine zigzag sewing machine. Before using your new Kenmore machine, please pause for a moment and carefully read this booklet which contains instructions on how to operate and care for your machine.

Specific instructions are given on threading, tension adjustments, cleaning, oiling, etc. This will help you obtain the best sewing results and avoid unnecessary service expense for conditions beyond our control.

Advice on the operation and care of your machine is always available at your nearest Sears Retail Store. Please remember, if you have questions about your machine or need parts and service, always mention the model number and serial number when you inquire.

Kenmore Sewing Machine

Record in space provided below the model number and serial number of this appliance. The model number and serial number are located on the nomenclature plate, as identified on Page 3 of this booklet.

Model No. 385. _____ Serial No. _____
Retain these numbers for future reference.

THIS MODEL IS A CENTER NEEDLE, LOW BAR SEWING MACHINE.

TABLE OF CONTENTS

SECTION 1. KNOW YOUR MACHINE

A Portable Case or Cabinet is Available	2
Locate and Identify the Parts	2~3
Identify the Accessories	4

SECTION 2. PREPARE YOUR MACHINE FOR SEWING

Set Up the Machine	5~8
• Plug in the Machine and Switch on the Power	5
• Foot Control Use	5
• Setting Spool Pins	6
• Adjust the Presser Foot Lever	6
• Free Arm Sewing: the Removable Extension Table	7~8
Know What the Presser Feet Will Do	9~10
Choose Your Needle and Thread	11~12
• Check Your Needle	11
• Fabric, Needle, Thread and Stitch Length Chart	12
• To Change Your Needle	12
Prepare the Bobbin	13~15
• To Remove the Bobbin Case from the Machine	13
• Wind the Bobbin	13~14
• Insert the Bobbin into the Bobbin Case	15
Prepare Your Top Thread	16~17
• Thread Your Needle	16~17
• Pick Up Your Bobbin Thread	17
Adjust the Top Thread Tension	18~19
Stitch Selector	20
Stitch Length Control	21
Adjusting Stretch Stitch Balance	21
Reverse Stitch Control	21
Starting To Sew	22

SECTION 3. LEARN THE STITCHES

Practical Stitch Chart	23~25
Straight Stitches	26~27
• Stragith Stitch	26
• Use the Seam Guides	26
• Turn a Square Corner	26
• Use the Darning Plate	27
• Topstitching	27
• Left Needle Position	27

Darning	28
Straight Stretch	28
Zigzag Stitches	29~36
• Basic Zigzag	29
• Satin Stitch	30
• Applique	31
• Bar Tacking	31
• Monogramming	32
• Embroidery	32
• Sew a Button	33
• Overcasting Stitch	34
• Rick-Rack Stretch	34
• Mending	35
• Overcasting Stretch Stitching	36
• Serging or Pine Leaf Stretch Stitching (Models 12741 and 12641)	36
Blind Hemming	37
Lace Work	38
Buttonholes	39~40
Sew in a Zipper	41~42
Shell Stitching (Models 12741 and 12641)	43
Smocking	43
Elastic Stretch Stitch (Model 12741 only)	44
Box Stitching (Model 12741 only)	44

SECTION 4. PERFORMANCE PROBLEMS CHART

What to Do When	45~46
---------------------------	-------

SECTION 5. CARE FOR YOUR MACHINE

Replacing the Light Bulb	47
• Cleaning the Machine	47~50
• Clean the Feed Dogs	47
• Clean the Shuttle Race	48
• Oil behind the Face Cover Plate	49
• Oil under the Top Cover	49
• Oil the Underside	50

PARTS LIST	51
----------------------	----

INDEX	52
-----------------	----

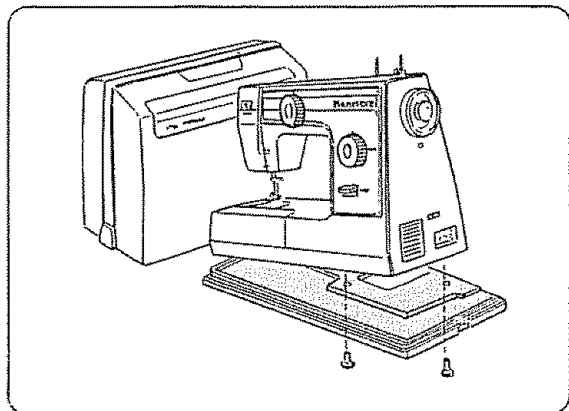
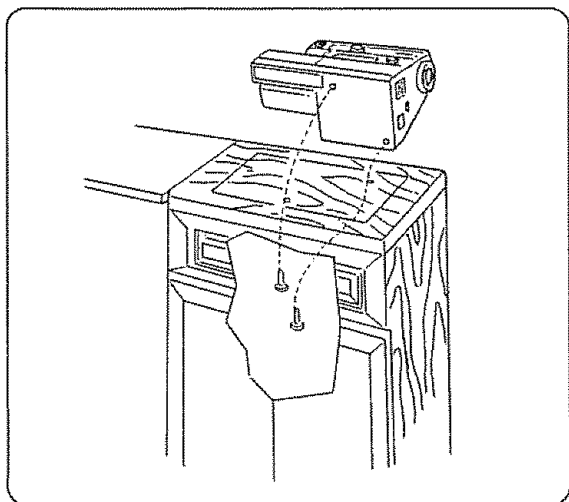
SECTION 1. KNOW YOUR MACHINE

TABLE OF CONTENTS

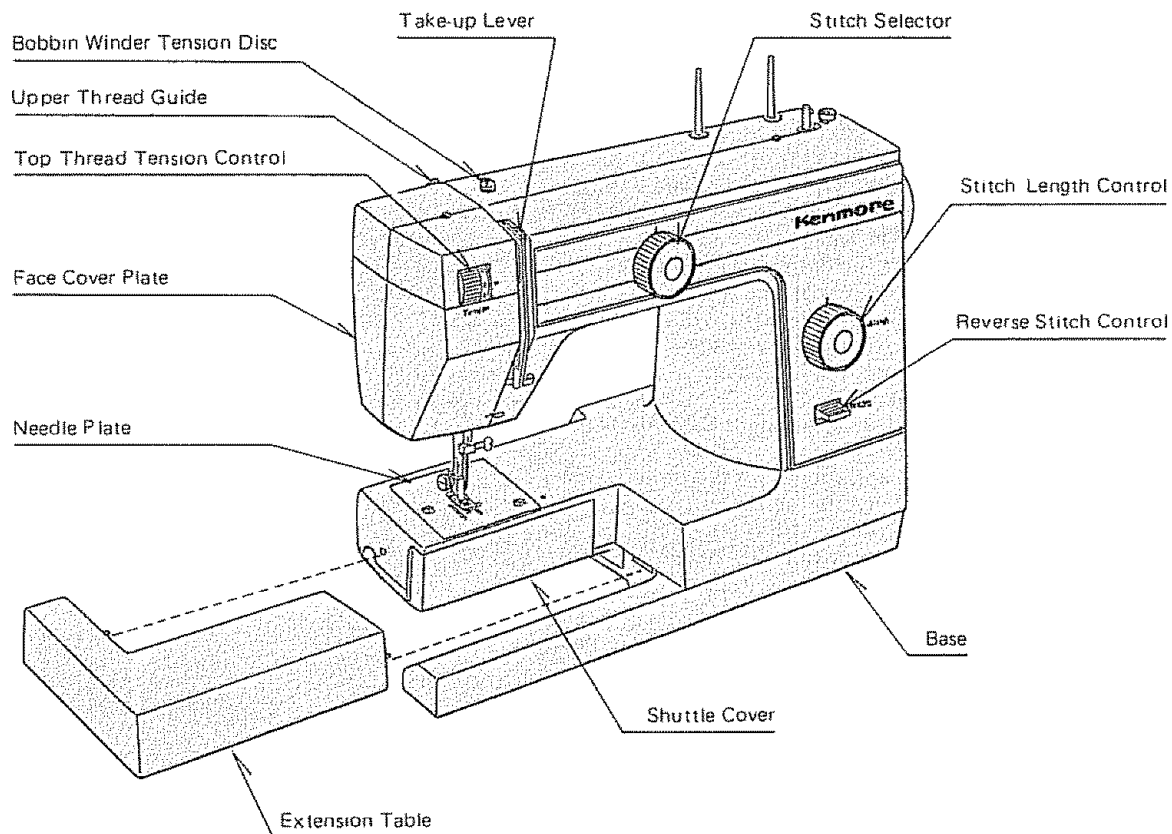
A Portable Case or Cabinet is Available

A full line of sewing cabinets is available at your nearest Sears retail store or through our general catalog.

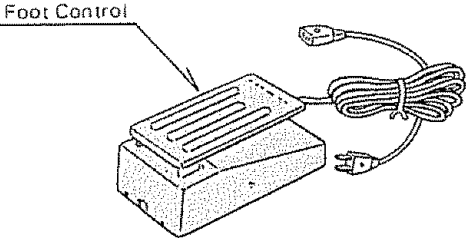
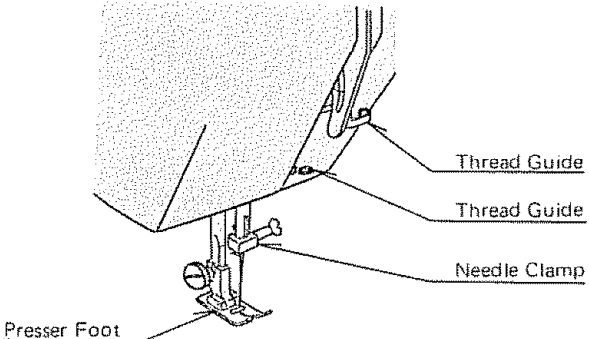
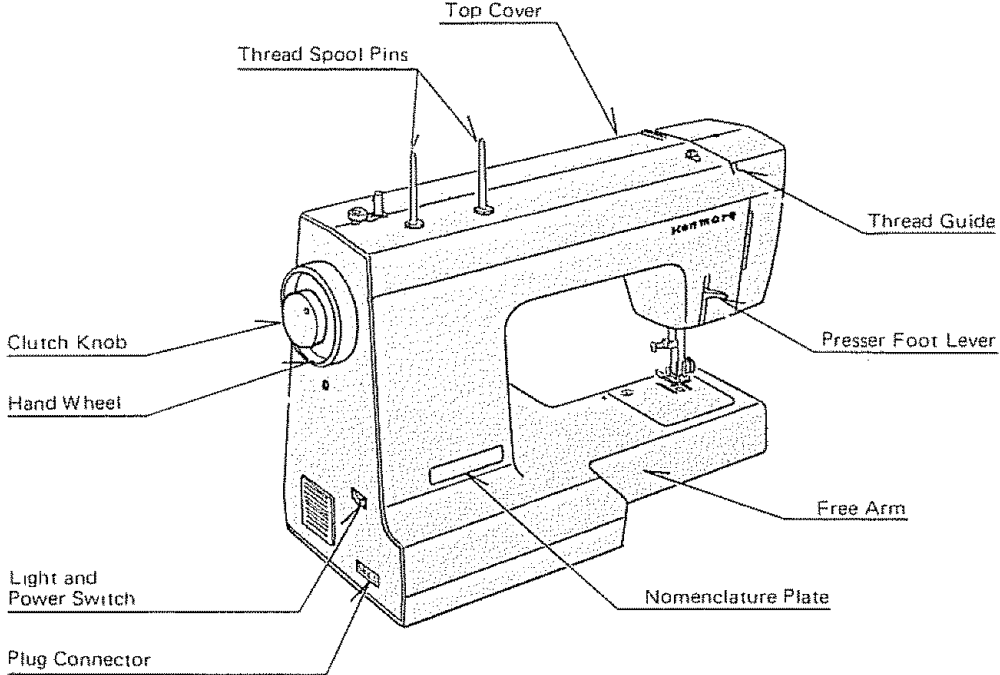
Another option . . . buy a Carrying Case . . . then your Kenmore goes anywhere, can be stored anywhere.



Locate and Identify the Parts

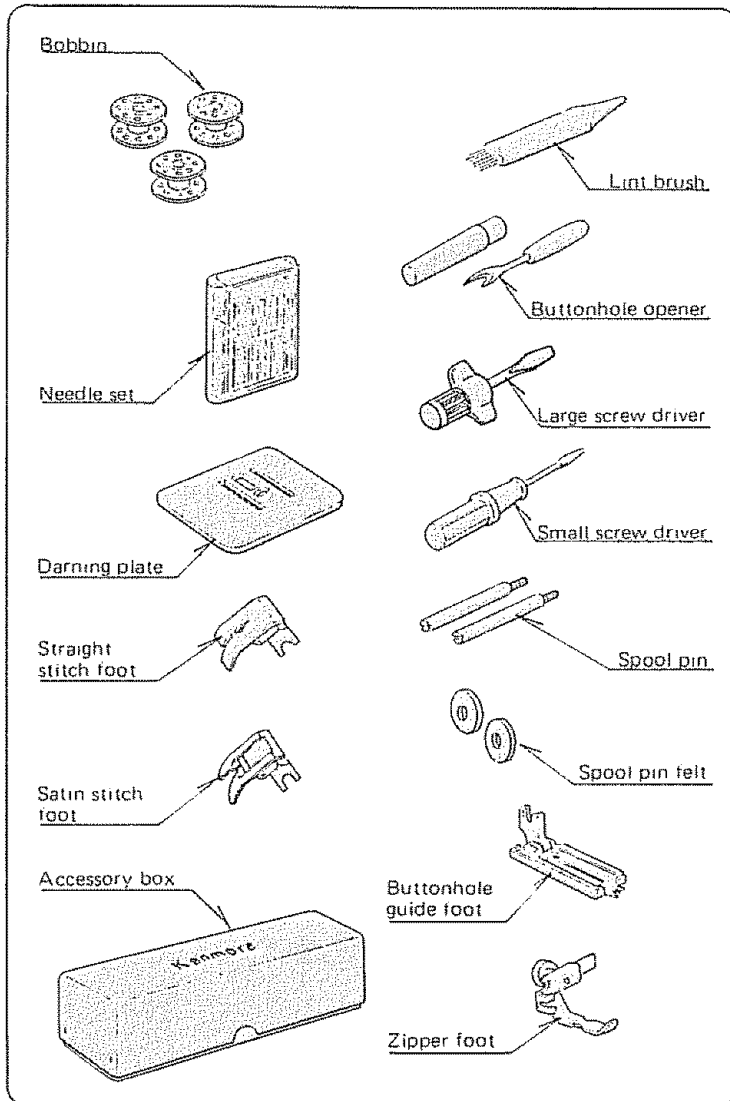


SECTION 1: KNOW YOUR MACHINE



SECTION 1. KNOW YOUR MACHINE

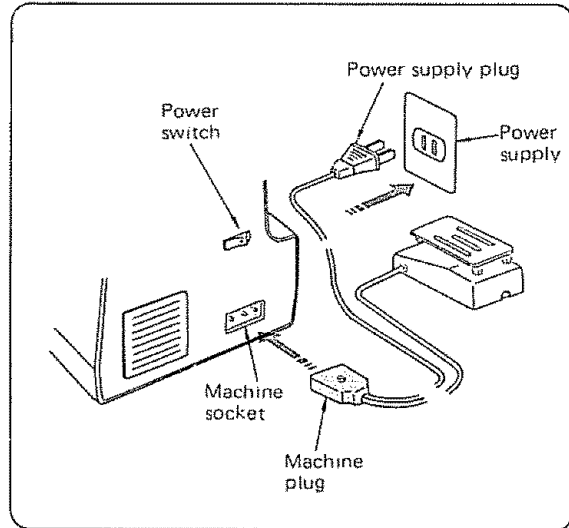
Identify the Accessories



SECTION 2. PREPARE YOUR MACHINE FOR SEWING

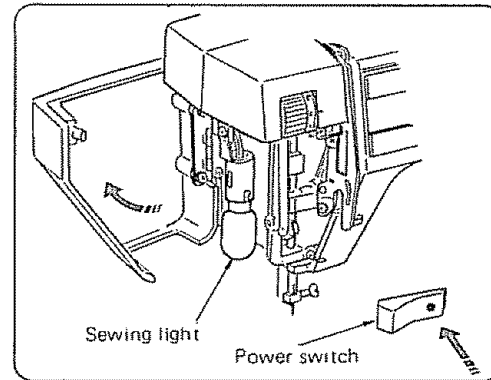
Set Up the Machine

• Plug in the Machine and Switch on the Power



NOTE: Before inserting the plug into your machine, be sure the power switch is OFF.

1. Check your outlet to be sure it is a 110 to 120 Volt AC outlet.
2. Insert the machine plug into the three-prong machine socket, as shown. It will only fit one way.
3. Insert the power supply plug into the outlet.

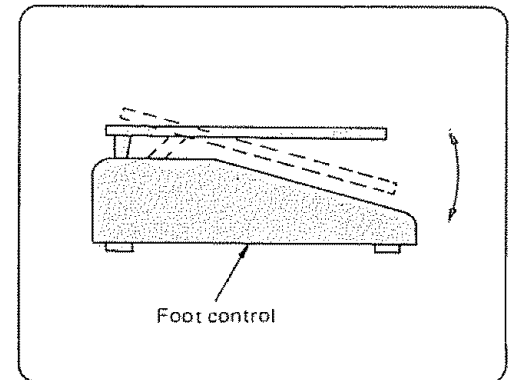


4. Push the light and power switch to turn on the power and sewing light.

SAFETY FEATURE:

Your machine will not operate unless the light/power switch is turned on. If you are interrupted or stop sewing, turn off the light/power switch to prevent injury to children.

• Foot Control Use



The foot control regulates the speed at which you sew.

To increase speed, gently press down with the ball of your foot.

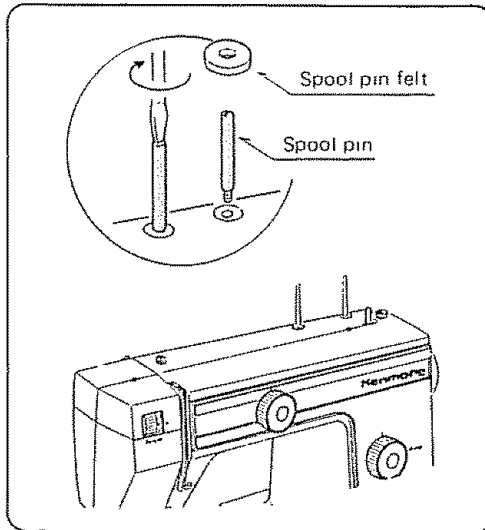
To decrease speed, release your foot pressure slightly.

NOTE: The foot control is sensitive and will increase or decrease your sewing speed immediately. Practice on a scrap of fabric to regulate your sewing speed to your taste and needs.

SECTION 2. PREPARE YOUR MACHINE FOR SEWING

Set Up the Machine (Continued)

• Setting Spool Pins



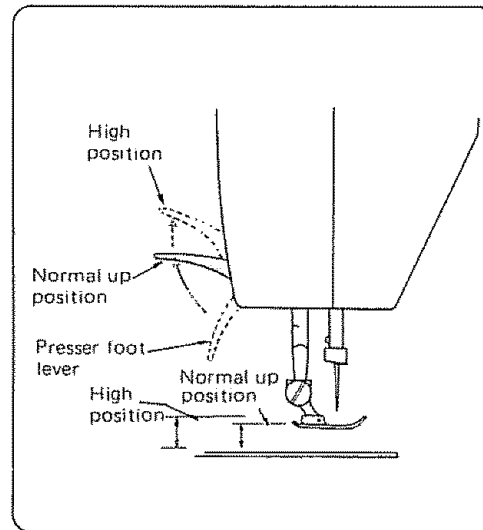
Spool Pins are packed in accessory box.

Screw thread spool pins in place securely with a screw driver.

Position spool pin felts as shown in illustration.

For winding the bobbin while your machine is threaded, you can use an extra spool pin without unthreading the machine.

• Adjust the Presser Foot Lever



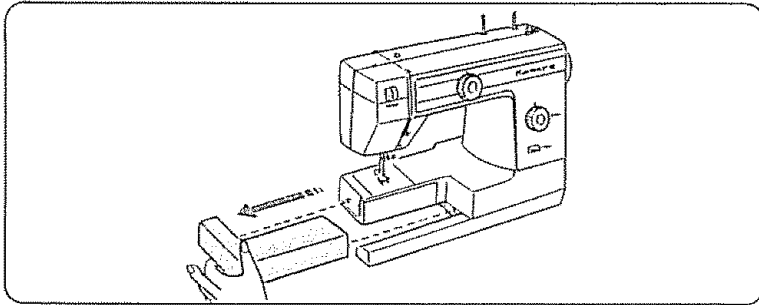
The Presser Foot Lever raises and lowers your presser foot.

You can raise it about 1/4" higher for easy removal of the presser foot or to help you place heavy fabrics under the presser foot.

SECTION 2. PREPARE YOUR MACHINE FOR SEWING

- **Free-Arm Sewing: the Removable Extension Table**

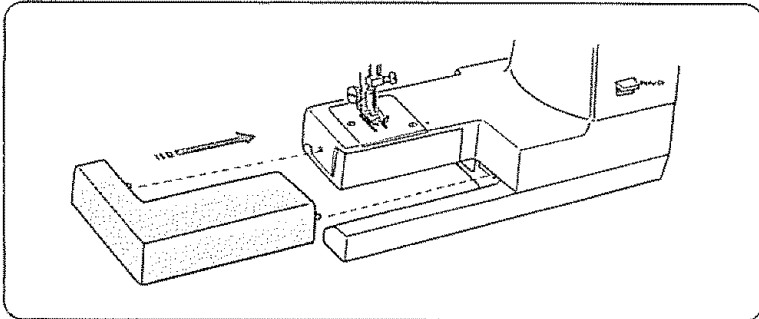
To remove:



To Remove the Extension Table (for free-arm sewing)

1. Grip the table with your index finger and thumb, as shown.
2. Pull gently to the left. The extension table will snap out.

To Attach:



To Attach the Extension Table (for flat-bed sewing)

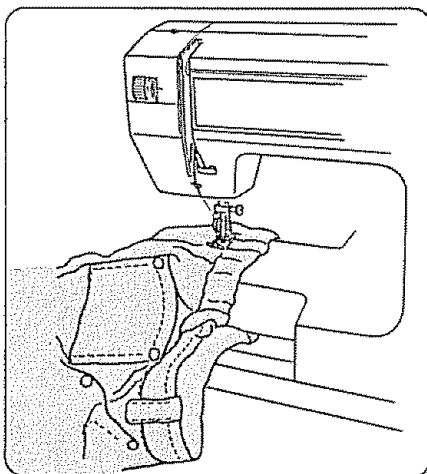
1. Insert the tab and the pin into their catches.
2. With your thumb and index finger, gently snap in.

SECTION 2. PREPARE YOUR MACHINE FOR SEWING

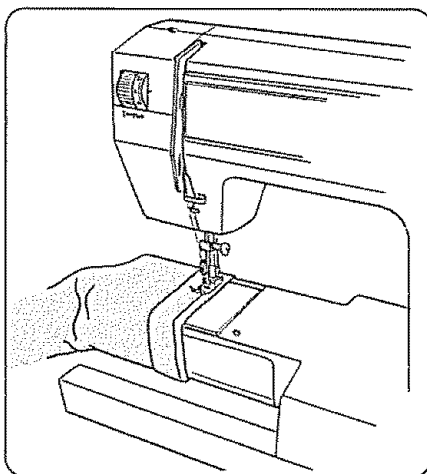
Set Up the Machine (Continued)

- **Free-Arm Sewing (Continued)**

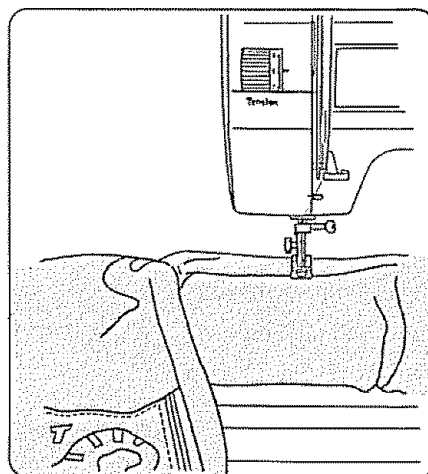
Your sewing machine can do free arm sewing. This feature makes sewing easy for:



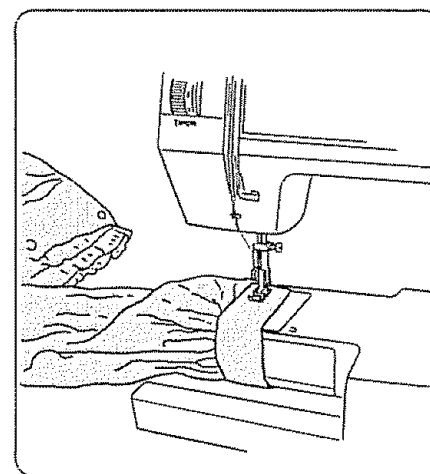
* bar tacking to reinforce pockets, belt loops and waistline on ready-made or homemade garments to avoid fabric bunching around the needle.



* stitching sleeves, waistbands, pant legs, or any circular garment area.



* darning socks or mending knees, elbows, or areas of wear in children's clothes.



* sewing buttons on sleeves, waistbands, etc.

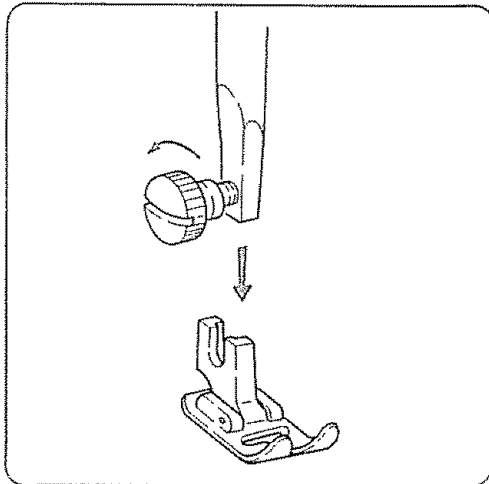
SECTION 2. PREPARE YOUR MACHINE FOR SEWING

Know What the Presser Feet Will Do

The Presser feet are an important feature of this machine. You need to know what each foot does in order to use them effectively.

• Change the Presser Foot

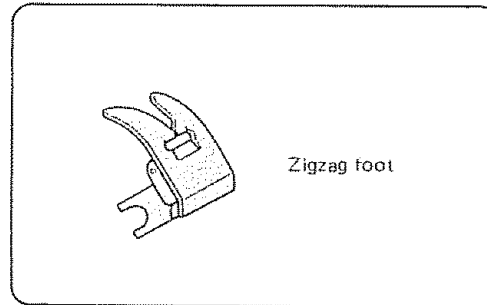
Use the correct presser foot for the stitch you wish to sew. Consult the practical Stitch Chart on pages 23 ~ 25 and the detailed directions for sewing with the various presser feet.



To change the various presser feet, raise the presser bar to its highest position by lifting the presser foot lever. Loosen the presser foot thumb screw, choose the proper foot, insert from the bottom. Tighten the screw using the large screw driver to make certain the foot is secure.

• Presser Foot Types

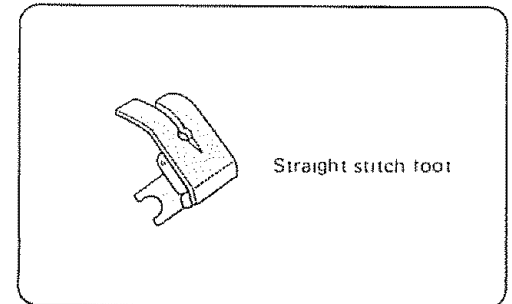
Zigzag Foot



Use this foot for both straight and zigzag stitching.

Uses: Straight stitching (see p. 26),
Topstitching (see p. 27),
Straight stretch (see p. 28),
Zigzag stitching (see p. 29),
Bar tacking (see p. 31),
Button sewing (see p. 33),
Rick-rack stretch (see p. 34),
Mending (see p. 35),
Overcast stretch (see p. 36),
Serging (see p. 36),
Blind hemming (see p. 37),
Lace work (see p. 38),
Shell stitching (see p. 43),
Smocking (see p. 43),
Elastic stretch (see p. 44),
Box stitching (see p. 44).

Straight Foot



Use this foot exclusively for straight stitching using center needle position only.

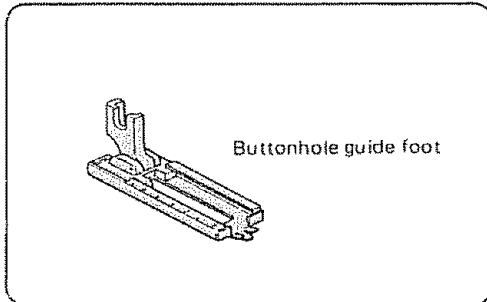
Uses: Straight stitching (see p. 26),
Topstitching (see p. 27),
Straight stretch (see p. 28)

SECTION 2. PREPARE YOUR MACHINE FOR SEWING

Know What the Presser Feet Will Do (Continued)

- **Presser Foot Types (Continued)**

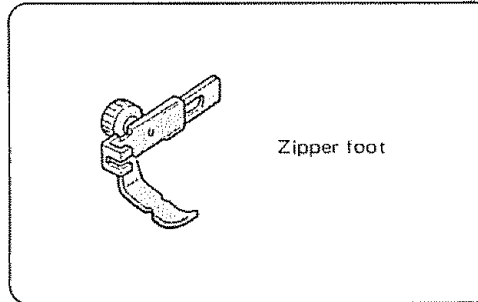
Buttonhole Guide Foot



Use this foot for buttonholes. It is marked to measure your buttonholes accurately.

Uses: Buttonhole making (see p. 39)

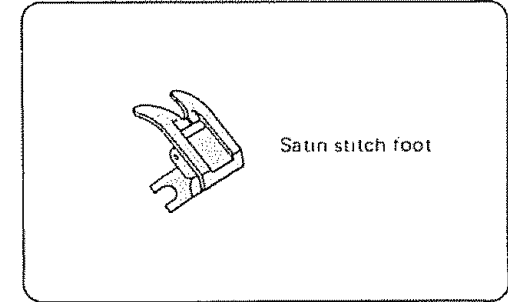
Zipper Foot



This foot can be set to sew on each side of your zipper. The edges of the foot guide the zipper and keep the seam straight.

Uses: Zipper application (see p. 41)

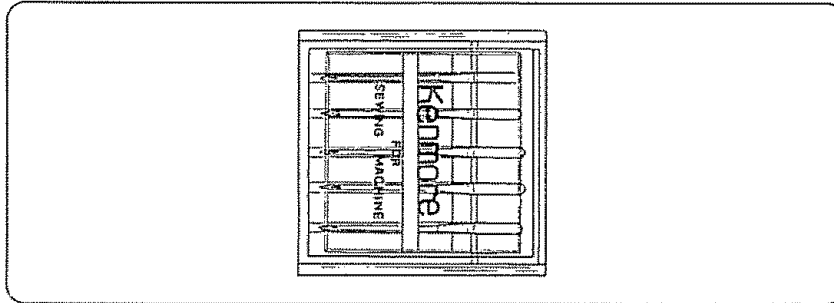
Satin Stitch Foot



Use this transparent foot for satin stitch and outlining applique.

Uses: Satin stitch (see p. 30),
Applique (see p. 31),
Monogramming (see p. 32).

Choose Your Needle and Thread



Your choice of needle and thread depends on the fabric you are sewing.

In your needle case, you will find the following color-coded needles:

- Blue (11) for stretch fabrics
- Orange (11) for lightweight fabrics
- Red (14) for medium or medium-heavy weight fabrics
- Purple (16) for medium-heavy weight and decorative topstitching on these fabrics
(This needle has a larger thread hole for thicker topstitching thread.)
- Green (18) for heavy weight fabrics and decorative topstitching on these fabrics

Replacement Kenmore needles are available at your nearest Sears stores.

• Check Your Needle

1. Look for barbed or blunt point.
2. A damaged needle can cause permanent snags or runs in knits, fine silks and silk-like fabrics.

Always buy a good quality thread. It should resist tangling and be strong, smooth and consistent in thickness.

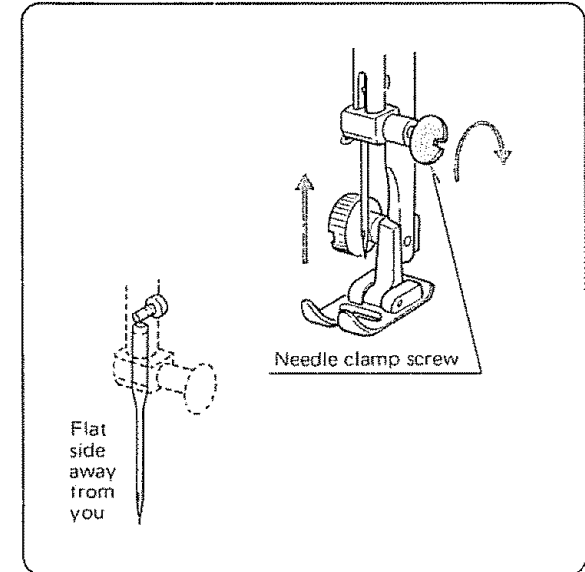
SECTION 2. PREPARE YOUR MACHINE FOR SEWING

Choose Your Needle and Thread (Continued)

• Fabric, Needle, Thread and Stitch Length Chart

FABRIC	NEEDLE SIZE AND COLOR	THREAD SIZE	RECOMMENDED STITCH LENGTH SETTING
Lightweight: Batiste, Dimity, Chiffon, Silks, Fine Lace, Organza, Crepe, Taffeta, Voile, Organdy	11-ORANGE	Polyester Core/Cotton Wrap Fine Mercerized Cotton Silk A	12 stitches per inch
Medium Weight: Cotton, Cotton Blends, Percale, Gingham, Shantung, Pique, Seersucker, Satin, Knits, Vinyl Suitings, Linen, Wool Crepe, Leather	14-RED	50 Mercerized Cotton Polyester Core/Cotton Wrap Silk A	10 ~ 12 stitches per inch
Medium Heavy Weight: Corduroy, Denim, Wool, Sailcloth, Wool Flannel, Gabardine, Velvets, Leather	14-RED or 16-PURPLE	50 Mercerized Cotton Mercerized Heavy-Duty Polyester Core/Cotton Wrap Silk A	8 ~ 10 stitches per inch
Heavy Weight: Coatings, Upholstery Cotton Duck, Heavy Twills, Canvas	18-GREEN	Heavy Duty Mercerized Cotton Polyester Core/Cotton Wrap Silk A	8 stitches per inch
Decorative top-stitching on all types of fabric	16-PURPLE 18-GREEN	Buttonhole Twist (Use as top thread only)	6 ~ 8 stitches per inch
Stretch Fabric: Polyester Double Knits, Nylon Tricot, Jersey, Stretch Terry, Spandex, Cire Tricot	11-BLUE (STRETCH FABRIC NEEDLE) with "Q FOOT"	Polyester Core/Cotton Wrap 50 Mercerized Cotton	10 ~ 12 stitches per inch

• To Change Your Needle



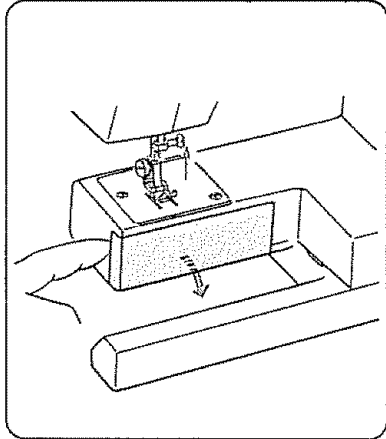
NOTE: Raise the needle bar to its highest position by turning the hand wheel toward you.

1. Loosen the needle clamp screw by turning it toward you.
2. Remove the needle by pulling it downward.
3. Insert the new needle into the needle clamp with the flat side away from you.
4. Push the needle up as far as it will go.
5. Tighten the needle clamp screw firmly with the large screwdriver from your accessory box.

SECTION 2. PREPARE YOUR MACHINE FOR SEWING

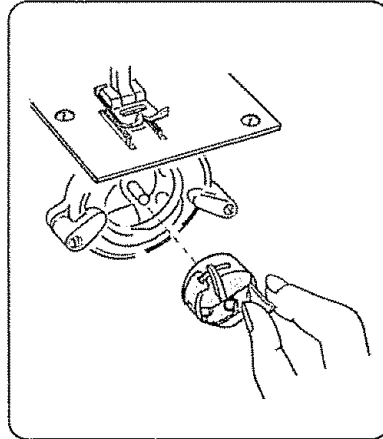
Prepare the Bobbin

- To Remove the Bobbin Case from the Machine



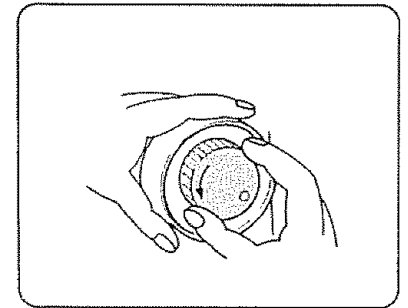
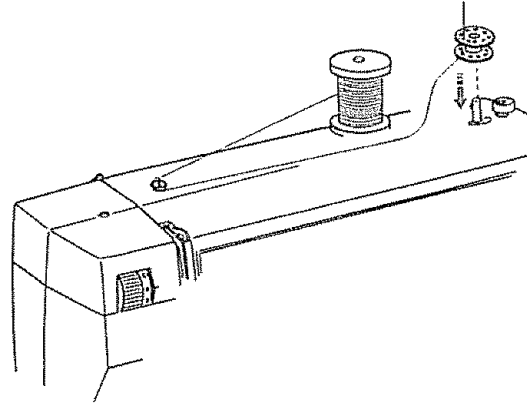
Remove the extension table from the machine by pulling it to the left. Open the shuttle cover by pulling down the embossed part on the left side of the cover.

Raise needle to its highest position by rotating hand wheel toward you.



To remove bobbin case from shuttle, pull open latch of bobbin case. Pull bobbin case straight out of shuttle.

- Wind the Bobbin

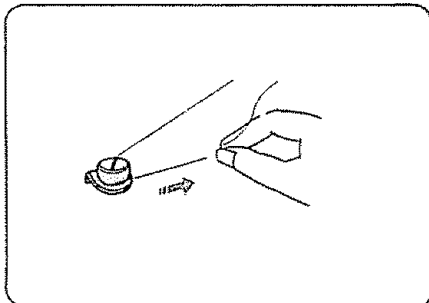


Release clutch by turning the clutch knob inside the hand wheel toward you.

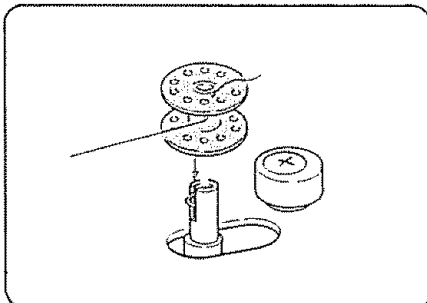
SECTION 2. PREPARE YOUR MACHINE FOR SEWING

Prepare the Bobbin (Continued)

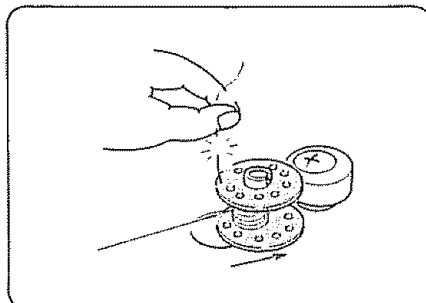
- Wind the Bobbin (Continued)



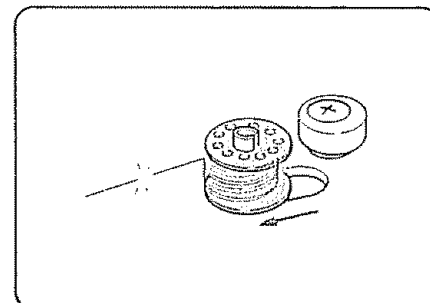
Draw thread from spool through bobbin winder tension disc as shown.



Pull end of thread through hole in bobbin as shown.



Place bobbin onto bobbin winder spindle with end of thread coming from the top of the bobbin. Push bobbin winder shaft to the right until it clicks. Holding onto end of thread, start machine. When bobbin is slightly filled, snip off end of thread.

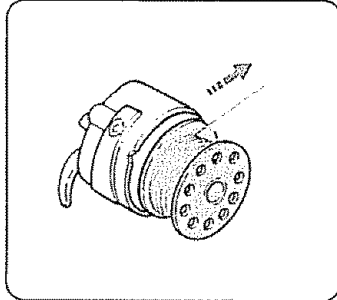


Wind thread until winder stops. Remove bobbin. Clip thread.

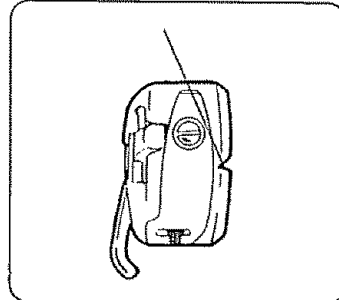
Tighten clutch knob.

SECTION 2. PREPARE YOUR MACHINE FOR SEWING

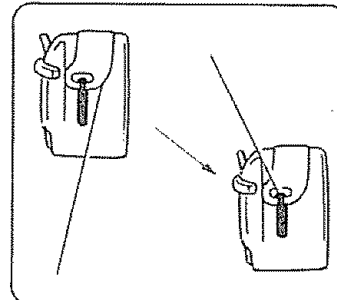
• Insert the Bobbin into the Bobbin Case



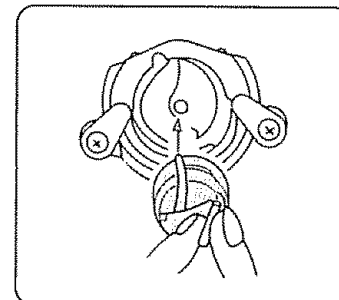
Place bobbin in bobbin case making sure thread feeds clockwise and is coming from bobbin as shown.



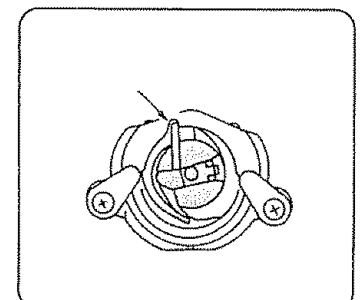
Pull thread through slot of case as shown.



Pull thread under tension spring and through the opening as shown above.



Holding latch open, position case into shuttle and release latch.

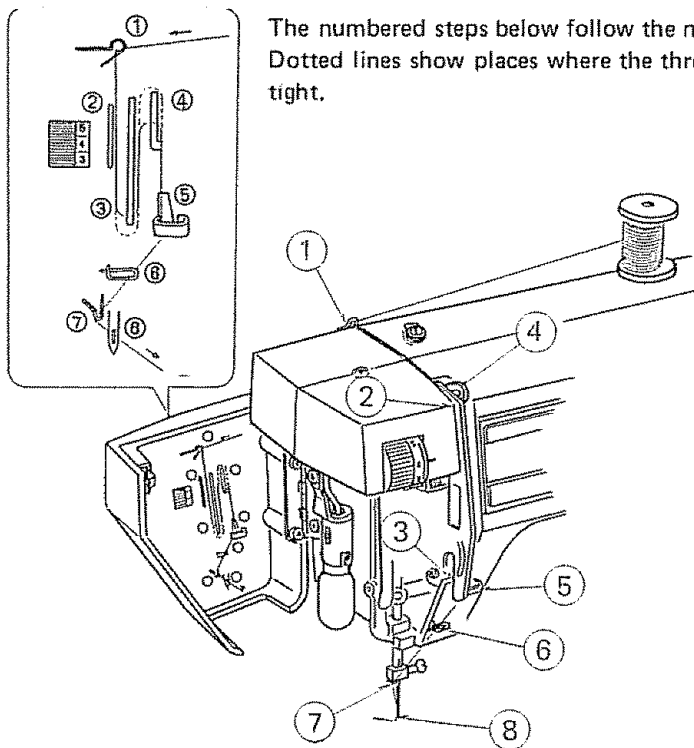


Case should lock into place when latch is released.

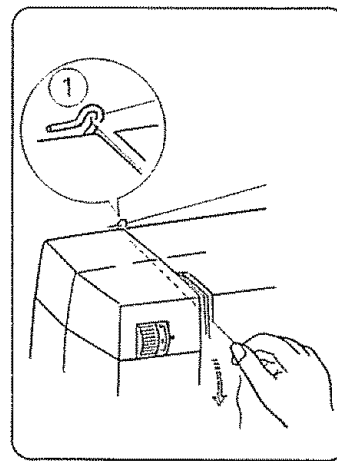
SECTION 2. PREPARE YOUR MACHINE FOR SEWING

Prepare Your Top Thread

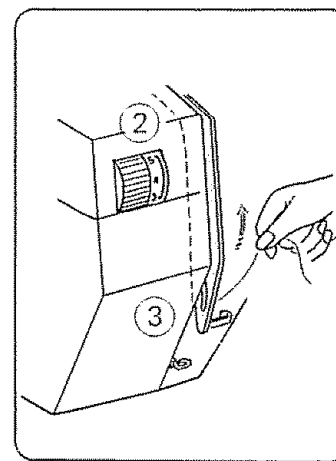
• Thread Your Needle



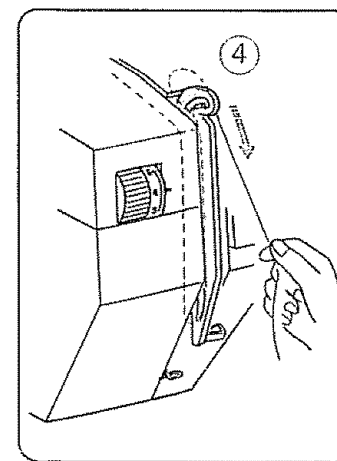
The numbered steps below follow the numbers on the illustrations. Dotted lines show places where the thread loops and then is pulled tight.



1. Draw thread through thread guide.



2. While holding thread near spool, draw thread into threading channel toward you making sure the thread is pulled firmly between the tension discs.

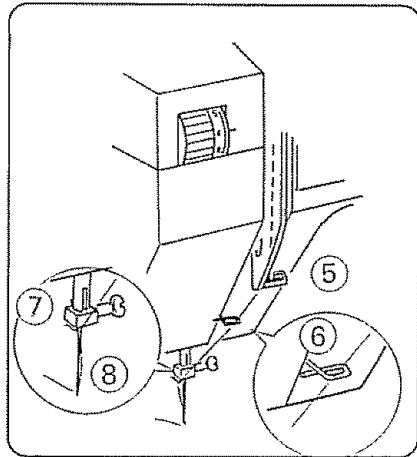


4. Draw thread up & through take-up lever.

Raise thread take-up lever to its highest position by turning hand wheel toward you. Raise presser foot lever. Place spool on spool pin as shown, with thread coming from the back of the spool.

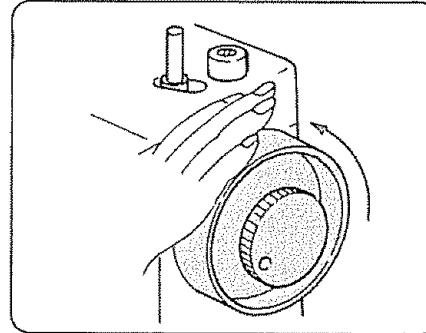
SECTION 2. PREPARE YOUR MACHINE FOR SEWING

• Pick Up Your Bobbin Thread

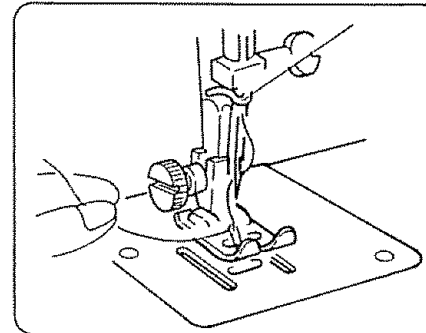


5. Draw thread down and into thread guide.
6. Pull the thread to the left and slip it through the thread guide.
7. Thread then is slipped into needle bar thread guide.
8. Thread needle from front to back.

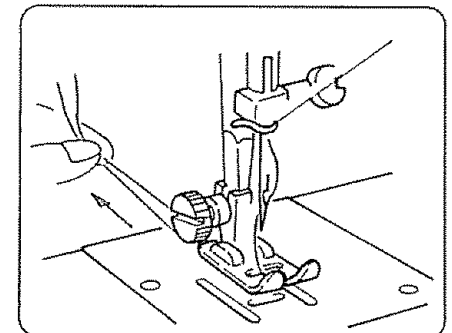
NOTE: You may want to cut the end of the thread with sharp scissors for easier needle threading.



1. Raise presser foot lever. Hold needle thread loosely in left hand and rotate handwheel toward you one complete turn.



2. Bring bobbin thread up by pulling top thread.



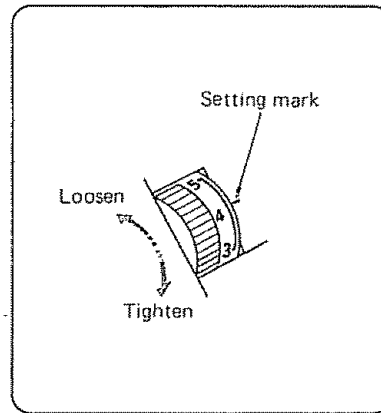
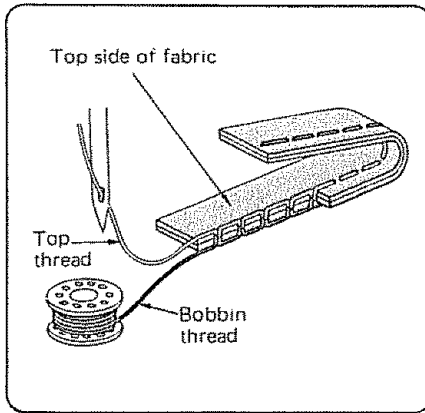
3. Pull both threads under and to the back of the presser foot, leaving 3 to 4 inches of thread clear.

If you cannot pick up bobbin thread by following steps given above, then check:

1. Is needle threaded from front to back?
2. Is thread tangled around needle?
3. Are 3 to 4 inches of thread coming from the bobbin?
4. Is thread from bobbin tangled?
5. Is bobbin properly installed in the bobbin case?
6. Is the machine threaded according to the instructions?

SECTION 2. PREPARE YOUR MACHINE FOR SEWING

Adjust the Top Thread Tension



For Straight Stitch

The ideal straight stitch will have threads locked between the two layers of fabric, as shown above, magnified to show detail.

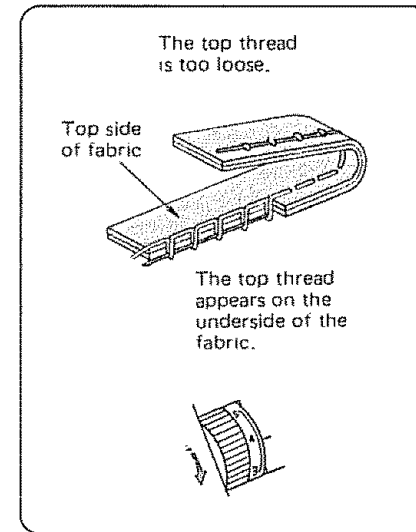
If you look at the stitch, front and back, you will notice that there are no gaps, that each stitch is smooth and even.

When adjusting top thread tension, the higher the number, the tighter the top thread.

Choose the Correct Tension:

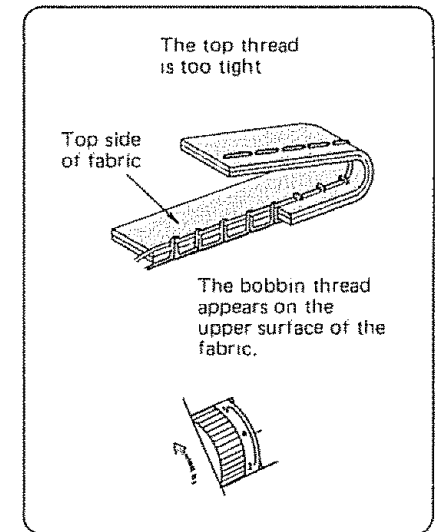
The best tension will depend on;

- the stiffness and thickness of the fabric
- the number of fabric layers
- the type of stitch



Tension is too loose:

The top thread shows through the bottom of the fabric. The bottom side of the stitch will feel bumpy.

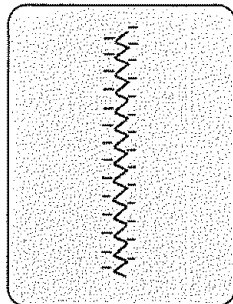


Tension is too tight:

The bobbin thread will come through the top of the fabric. The top side of the stitch will feel bumpy.

For Zigzag Stitch

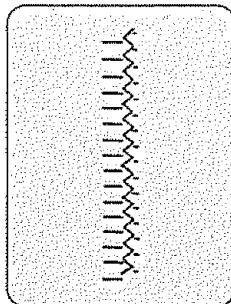
In the correct zigzag stitch, the bobbin threads will not show on top of the fabric and the top threads will show slightly on the under side. See below for the correct appearance. To match this appearance, adjust your top thread tension.

Too Tight

Top Side of Fabric

Too Tight:

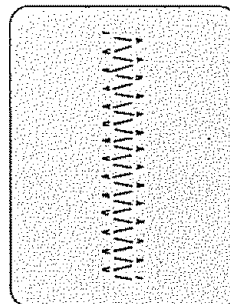
- The points of the zigzag will pull together on top of the stitch.

Too Loose

Under Side of Fabric

Too Loose:

- The top thread will loop through the points on the bottom of the stitch and will be pulled almost together.

Just Right

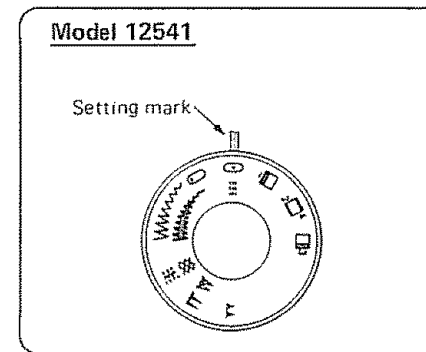
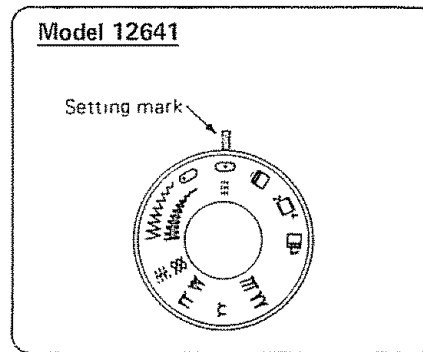
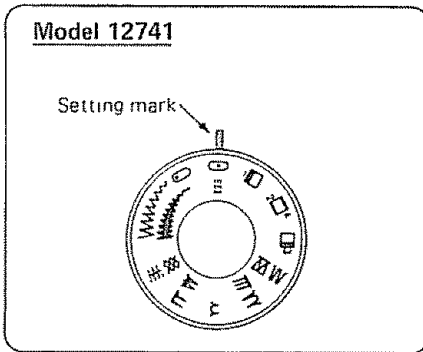
Under Side of Fabric

Just Right:

- Minimize the amount of top thread visible on the underside without causing excessive puckering or causing the bottom thread to show on the top side, results vary with fabric, thread and sewing conditions.

SECTION 2: PREPARE YOUR MACHINE FOR SEWING

Stitch Selector



The stitch selector control not only determines the stitch you select, but also regulates the stitch width for regular zigzag and rick rack stretch stitches.

The different types of stitches are designated by color.

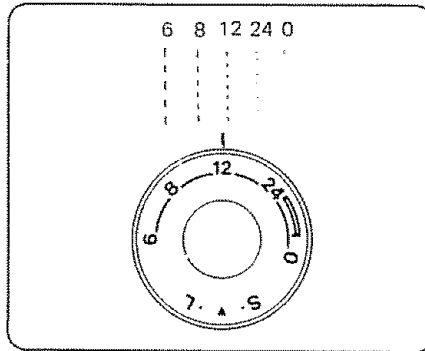
Straight, Zigzag and Utility Stitches are orange.

Stretch Stitches are gold.

Buttonhole Settings are blue.

NOTE: To avoid needle or fabric damage, be sure your needle is up and out of fabric when adjusting this control.

Stitch Length Control

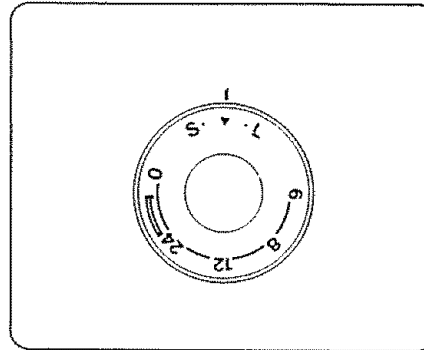


The stitch length control regulates the length of the stitch.

The higher the number, the shorter the stitch.

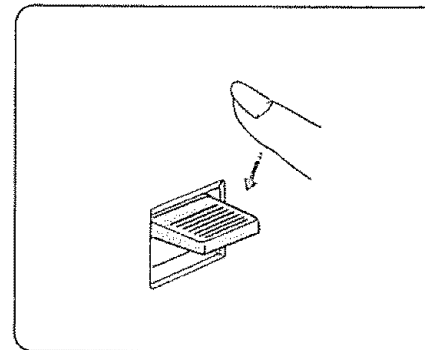
0 means no feed.

Adjusting Stretch Stitch Balance



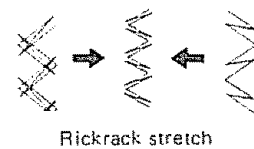
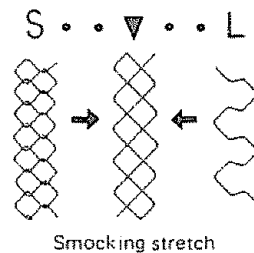
In stretch stitch sewing, Stitch Length Control should be in the detent position between S and L (▼ position) for most materials. Depending upon the type of fabric used, you may need to adjust this control to match forward stitches of stretch sewing with reverse motion stitches. To shorten stretch stitches, turn the control slightly toward "S". To lengthen, turn toward "L".

Reverse Stitch Control



To reverse stitch, hold down this control during sewing.

Release to sew forward again.



SECTION 2. PREPARE YOUR MACHINE FOR SEWING




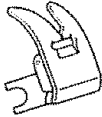

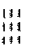

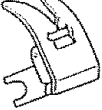

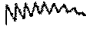



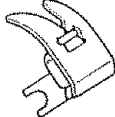
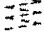

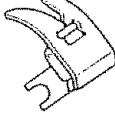
Starting To Sew

Now that you are familiar with the controls on your machine and with the accessories provided for the machine, you are ready to start to sew with your new Kenmore sewing machine. Below are some good habits to follow each time you sit down to sew:

1. Inspect the needle. It should be straight, properly set and sharp on the point. It should be the correct size for the fabric and thread being used. Do not be afraid to change your needle frequently. Many of the new fabrics made of synthetic blends tend to dull the needles more easily than fabrics made of natural fibers.
2. Before placing the material on the machine, see that the ends of the threads have been drawn about 4 inches to the rear of the machine. Hold on to threads during the sewing of the first 3 or 4 stitches of the seam.
3. Test the machine stitch on a scrap of fabric you plan to use. The fabric should be double thickness. Adjust the machine for the length of stitch and tension suitable to your fabric.
4. Fabric should be placed under the presser foot with the bulk of the material to the left of the needle and the right edge of the material placed on the 5/8" seam marking on the needle plate when making a simple seam.
5. Run the machine at a slow even speed. The more pressure you put on the foot control, the faster the machine will sew.
6. Fasten each seam by back tacking at the beginning and end of the seam.
7. Always finish sewing each seam with the needle at its highest point.
8. Guide the fabric gently with your hand in front of the needle. Never pull or hold the fabric in such a way that the normal feeding is altered.
9. When turning the hand wheel manually, always turn it toward you.

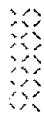

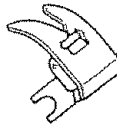
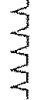

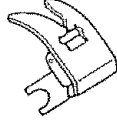


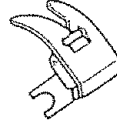




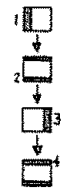
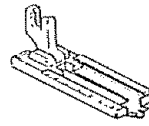
SECTION 3. LEARN THE STITCHES

Practical Stitch Chart


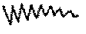


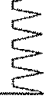
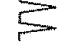
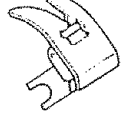






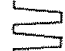




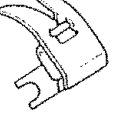
Stitch	Stitch Selector	Foot	Other Attach.	Needle	Thread Tension	Stitch Length	Uses	Refer to Page
STRAIGHT 		Straight  Zigzag 	Darning plate	Check Chart on p. 12	2 ~ 6	6 ~ 12	Regular seams, zippers, topstitching, darning, invisible zipper, cording, etc.	26 ~ 28 41 ~ 43
STRAIGHT STRETCH 		Straight  Zigzag 	—	Check Chart on p. 12	2 ~ 6	S ▽ L	Use on knits and other stretch fabrics, good for topstitching.	28
ZIGZAG 		Zigzag 	—	Check Chart on p. 12	2 ~ 5	6 ~ 24	Finish edges, buttons, satin stitch, applique, monogram, embroider, sewing bar tacks.	29 ~ 34
RICK-RACK STRETCH 		Zigzag 	—	Check Chart on p. 12	1 ~ 4	S ▽ L	Decorate garments with one row or several.	34
MENDING 		Zigzag 	—	Check Chart on p. 12	1 ~ 4	Blue Zone ~ 24	Use for finishing seams.	35

SECTION 3. LEARN THE STITCHES

Practical Stitch Chart (Continued)

Stitch	Stitch Selector	Foot	Other Attach.	Needle	Thread Tension	Stitch Length	Uses	Refer to Page
SMOCKING STITCH 		Zigzag 	—	Check Chart on p. <u>12</u>	1 ~ 4	S ▽ L	Use in smocking or as a decorative stitch.	43
BLIND HEM STITCH 		Zigzag 	—	Check Chart on p. <u>12</u>	1 ~ 4	8 ~ 24	Use for woven fabrics: blind hem and overcasting.	37
BLIND HEM STITCH (STRETCH) 		Zigzag 	—	Check Chart on p. <u>12</u>	1 ~ 4	8 ~ 24	Wide blind hem with elasticity. Lace work on blouses, lingerie and table linens.	37 ~ 38
OVERCAST STRETCH 		Zigzag 	—	Check Chart on p. <u>12</u>	1 ~ 4	S ▽ L	Use for swimwear, ski pants and other garments that require stretch.	36
BUTTONHOLE 		Buttonhole 	—	Check Chart on p. <u>12</u>	1 ~ 5	Blue Zone	Buttonholes: also corded buttonholes.	39 ~ 40

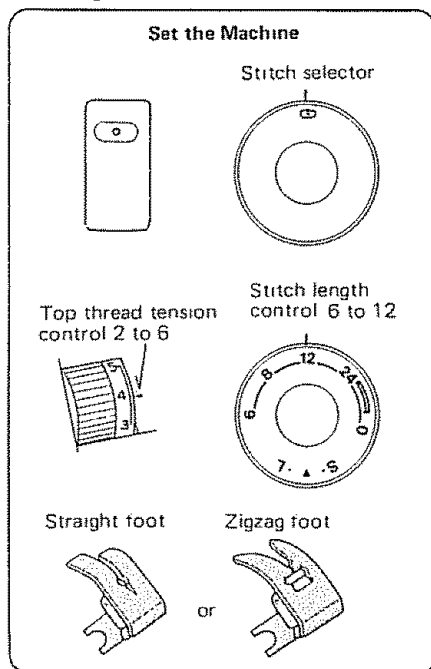
Practical Stitch Chart (Continued)

Stitch	Stitch Selector	Foot	Other Attach.	Needle	Thread Tension	Stitch Length	Uses	Refer to Page
SATIN STITCH 		Satin 		Check Chart on p. <u>12</u>	1 ~ 4	Blue Zone	Use for applique work, also as decorative finish for placemats, blankets, collars, cuffs and pockets.	30 ~ 31
SHELL STITCH (Models 1241 and 12642) 		Zigzag 		Check Chart on p. <u>12</u>	3 ~ 9	12 ~ 24	Finish hems, sleeve and neck openings. Use on nylon tricot and other lingerie to overcast and seam. Do shell tucking on blouses and lingerie.	43
SERGING (Models 12741 and 12642) 		Zigzag 		Blue (11) on p. <u>12</u>	1 ~ 4	S ▼ L	Use for swimwear and stretch velour.	36
BOX STITCHING (Model 12741 only) 		Zigzag 		Check Chart on p. <u>12</u>	1 ~ 4	24	Use for overlapping seams.	44
ELASTIC STRETCH (Model 12741 only) 		Zigzag 	Use paper underneath	Check Chart on p. <u>12</u>	1 ~ 4	S ▼ L	Use for applying elastic.	44

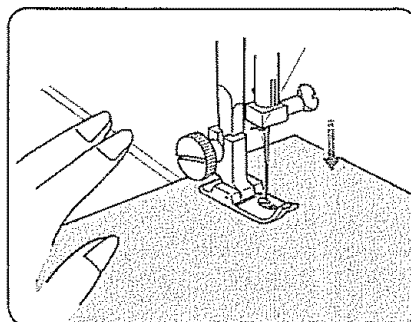
SECTION 3. LEARN THE STITCHES

Straight Stitches

• Straight Stitch

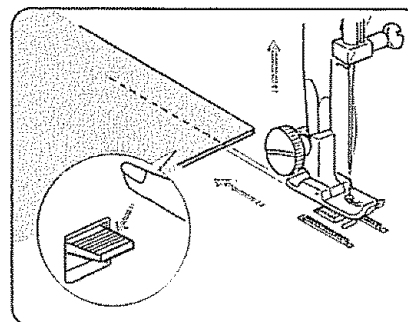


NOTE: Best sewing results are obtained with the straight stitch foot, but the zigzag foot will also provide acceptable results.



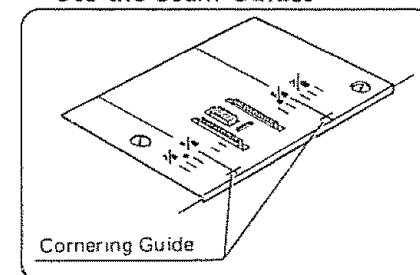
Before sewing with the straight stitch foot, be sure the stitch selector dial is set to the center needle position.

1. Raise the presser foot.
2. Raise the needle to its highest position.
3. Place the edge of the fabric next to a stitching guide line on the needle plate (5/8" is the most common).
4. Draw the threads towards the back and lower the presser foot.
5. Press the foot control.
6. Hold the fabric loosely and gently guide it along the guide line, so that it feeds naturally.
Do not force the fabric or try to pull it tight.



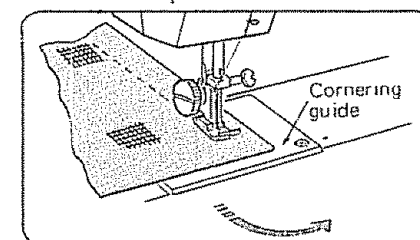
7. At the end of the seam, you may want to press the reverse lever to lock the stitch.
8. Raise the presser foot and remove the fabric.
9. Cut the threads.

• Use the Seam Guides



The seam guides on the needle plate are there to help you measure seam width. The lines are 1/8" apart, with the 5/8" and 7/8" lines marked.

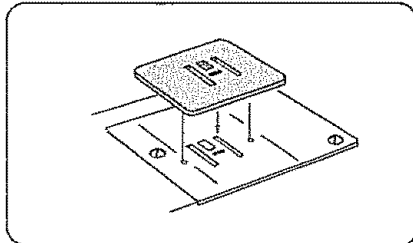
• Turn a Square Corner



To turn a square corner 5/8" from the fabric edge:

1. Stop stitching and lower the needle by turning hand wheel toward you when the fabric edge facing you lines up with the cornering guide, as shown.
2. Raise the presser foot and turn the fabric to line the edge with the 5/8" seam guide.
3. Lower the presser foot and begin stitching in the new direction.

• Use the Darning Plate



Sometimes when you sew, you want to control the fabric yourself.

The Darning Plate covers the feed dogs so that they do not touch the fabric.

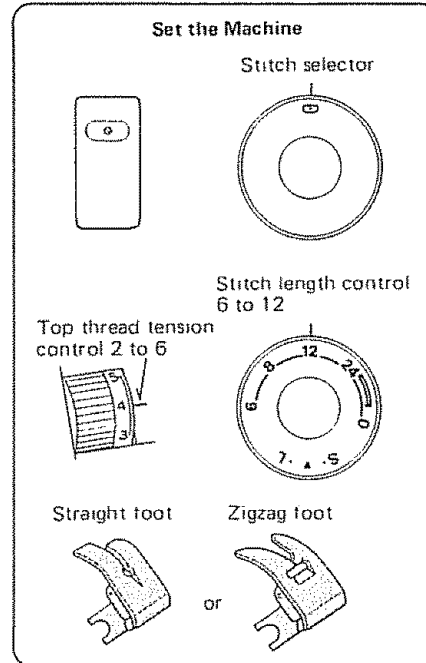
To Put on the Darning Plate:

NOTE: The rectangular holes in the Darning Plate match the holes in the needle plate. In the darning plate, these holes are slightly to the left of center.

1. Position the darning plate with the pins on the bottom.
2. Fit the darning plate pins into the needle plate holes. The feed dogs will show through the darning plate holes.

Use the darning plate in the following ways: Darning (P. 28)
Button Sewing (P. 33)

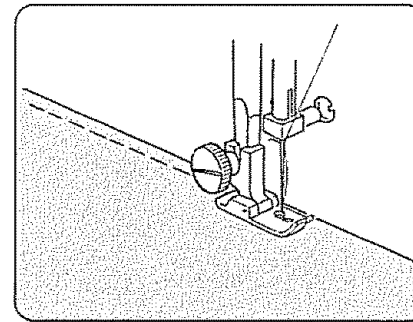
• Topstitching



The Stitch and Its Uses

Topstitching emphasizes the lines of your garment and keeps seams and edges flat and crisp.

Accent suits or blouses with one or two rows of topstitching around the outer edges of cuffs, lapels or collars.



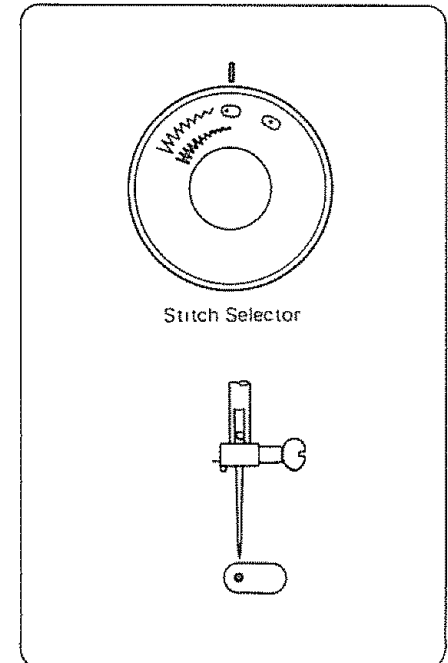
Here's How

Before sewing with the straight stitch foot, be sure the stitch selector dial is set to the center needle position.

1. Lower the presser foot.
2. Keep the edge of the fabric next to the right edge of the presser foot.
3. Evenly guide the fabric along this edge to produce an even row of topstitching 3/8" from the edge.

NOTE: You can easily adjust your needle from left to right for topstitching without moving your fabric from under the zigzag presser foot.

• Left Needle Position

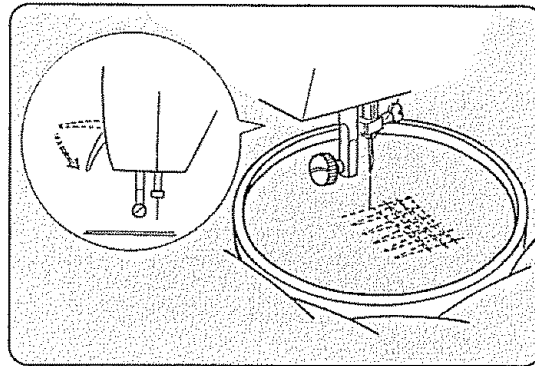
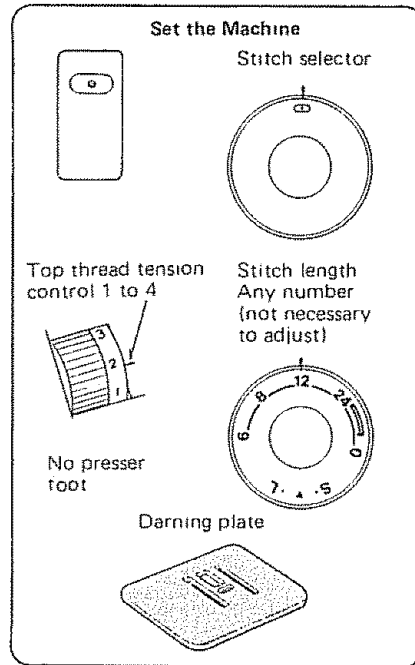


Use Left Needle Position for more control while topstitching or edge stitching difficult fabrics.

NOTE: Use only zigzag presser foot for Left Needle Sewing.

SECTION 3. LEARN THE STITCHES

Darning



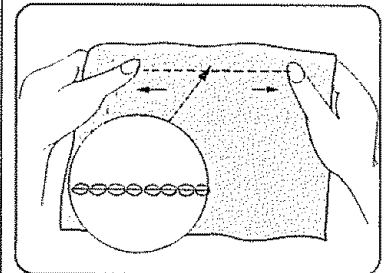
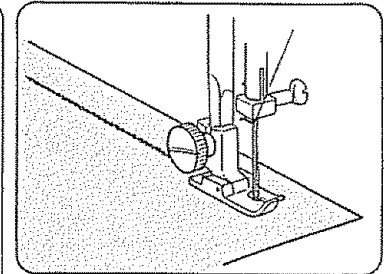
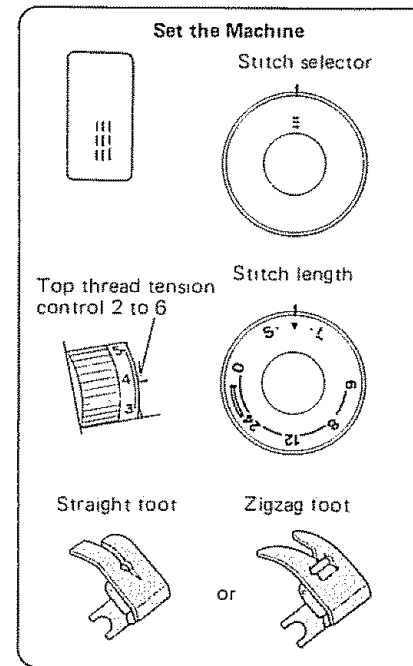
Here's How

1. Put the darning plate over the needle plate (see p. 27).
2. Remove presser foot, stretch fabric between embroidery hoops with hole centered.
3. Draw the bobbin thread up through the fabric by holding the top thread and taking one stitch at the spot where you wish to start darning.
4. Lower the presser bar and sew at a slow speed.
5. Move the fabric back and forth slowly until you have covered the darning area.
6. Turn the fabric and sew another layer of stitching over the first layer.

NOTE: If your fabric is thin or badly damaged, use a separate piece of fabric under the hole to reinforce it.

7. When you finish darning, remove the darning plate.

Straight Stretch



Stretch stitching was developed to be used on stretch fabrics and knits. It can be used on other fabrics as well. It works well on curved seams and on any garments that will receive a great deal of strain (ie. children's clothes).

The stretch stitch does not actually stretch as it is being sewn, but is stitched in a forward and back motion (sometimes called a "reverse-action" stitch), so that it will give when the fabric stretches instead of breaking.

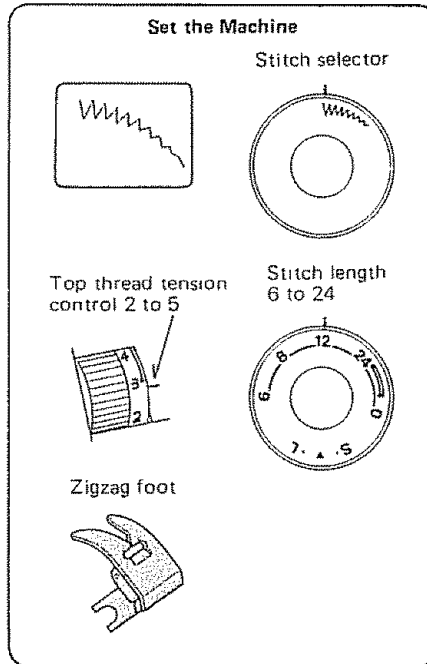
The Stitch and Its Uses

This stitch is the stretch variation of the straight stitch, especially developed for knits and stretch fabrics.

This stitch can also be used for topstitching on all fabrics.

Zigzag Stitches

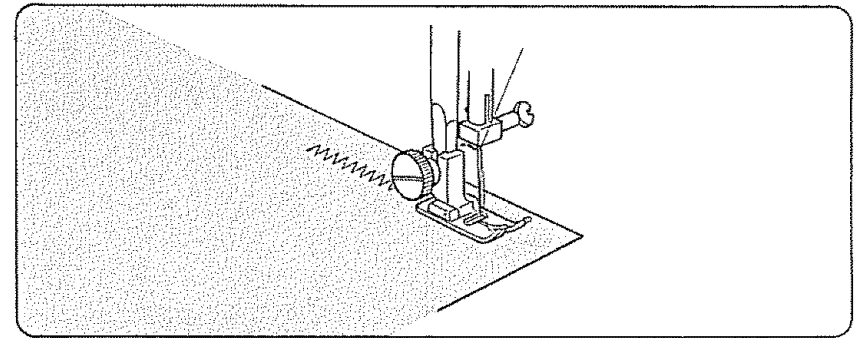
• Basic Zigzag



The Stitch and Its Uses

The zigzag stitch is one of the most common and most versatile stitches on your machine. It can be a utility stitch for sewing buttons, buttonholes, hemming, overcasting, mending and darning. It can also be used to decorate with trims, appliques and cut-out work or as a decorative stitch.

Adjust the stitch width as desired (see p. [20](#)).



Here's How

There are many ways to sew a zigzag stitch.

Consult the specific variations for detailed directions.

Satin Stitch p. [30](#).

Applique Work p. [31](#).

Bar Tacking p. [31](#).

Monogramming p. [32](#).

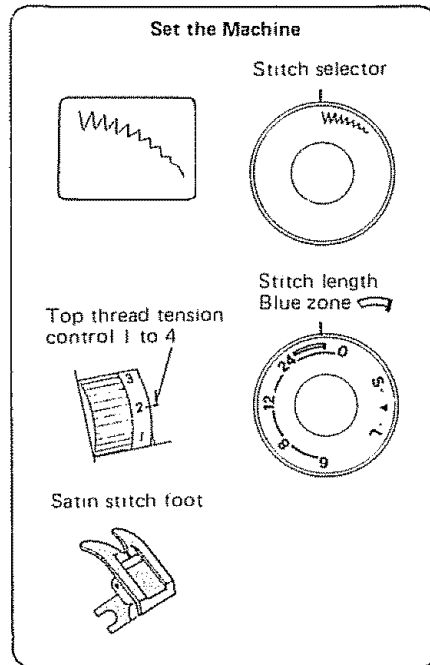
Embroidery p. [32](#).

Button Sewing p. [33](#).

Overcasting p. [34](#).

SECTION 3. LEARN THE STITCHES

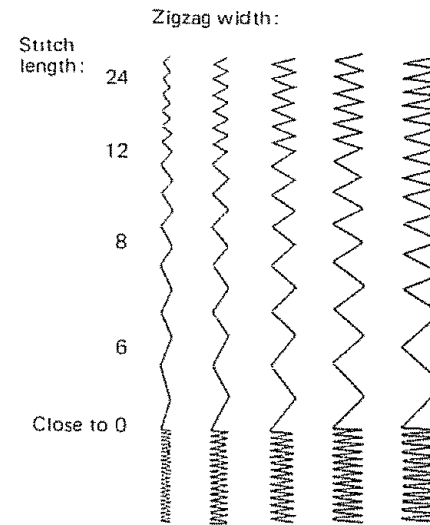
• Satin Stitch



The Stitch and Its Uses

The Satin stitch is a versatile and often used decorative stitch, but it can also be used to overcast a raw edge (for example, blankets, linens, tablecloths and napkins).

The Satin stitch is especially attractive in applique.



Here's How

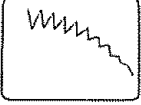
Once your machine is set up to stitch, you may want to experiment on a fragment of the fabric you are planning to use. Too tight a satin stitch may pucker some light weight fabrics.

Otherwise, stitch as usual.

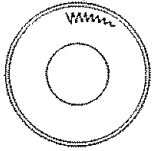
Zigzag Stitches (Continued)

• **Applique**

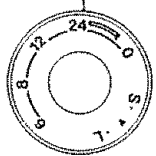
Set the Machine



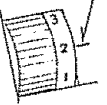
Stitch selector




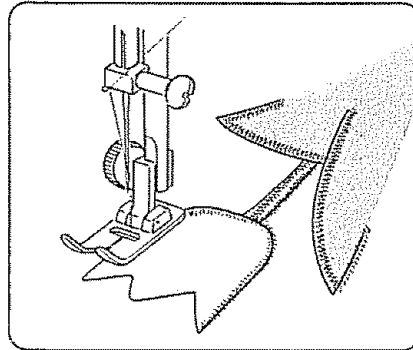
Stitch length
Blue Zone → to 24



Top thread tension control 1 to 4



Satin stitch foot

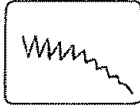



Baste (or fuse with iron-on fabric joiner) applique pieces on the fabric. Stitch around the applique making sure the needle falls along the outer edge of the applique.

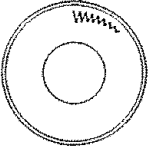
When sewing corners, lower the needle down into the fabric. Raise the presser foot and pivot the fabric to the right or left.

• **Bar Tacking**

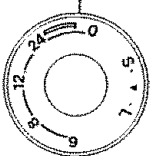
Set the Machine



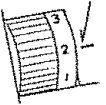
Stitch selector



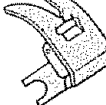
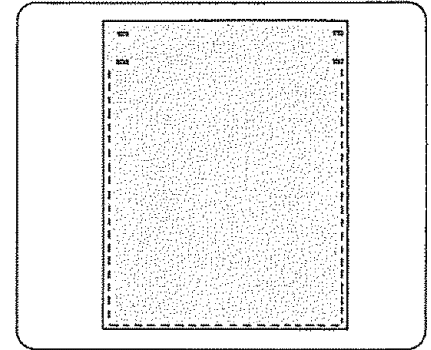
Stitch length
Blue zone →



Top thread tension control 1 to 4



Zigzag foot

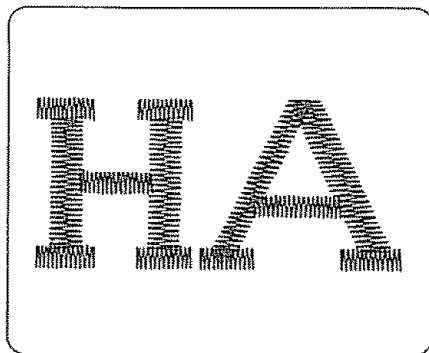
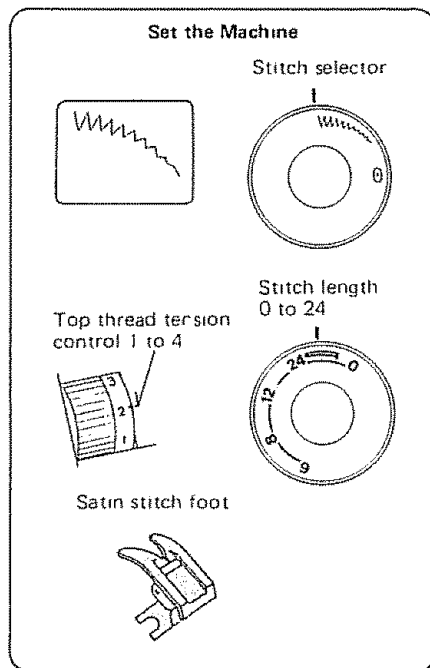
This stitch is similar to a very short satin stitch and is used to reinforce points of strain such as corners or pockets and straps on lingerie.

Sew 4 to 6 zigzag stitches.

SECTION 3 | LEARN THE STITCHES

Zigzag Stitches (Continued)

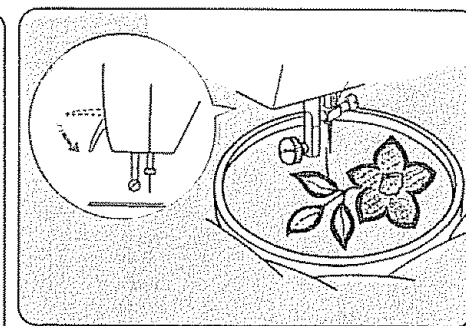
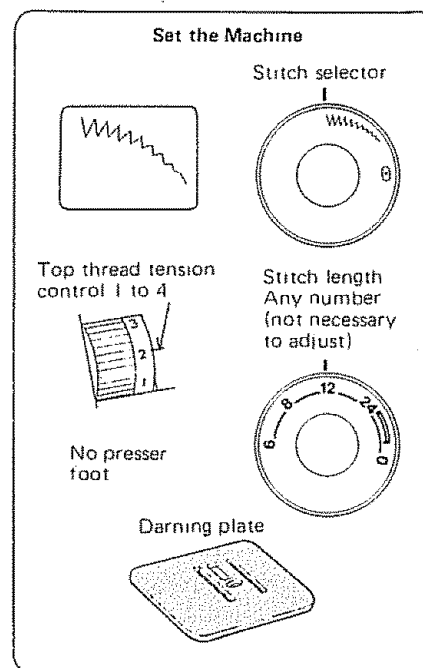
• Monogramming



Here's How

1. Set the same as satin stitch.
2. Back the fabric with paper or interfacing.
3. Draw the design on to the fabric with tailor's chalk.
4. Satin stitch, adjusting the stitch width as necessary to form each pattern.
5. If using paper, carefully remove it when you have finished sewing.

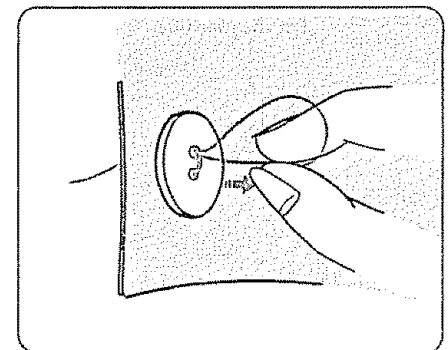
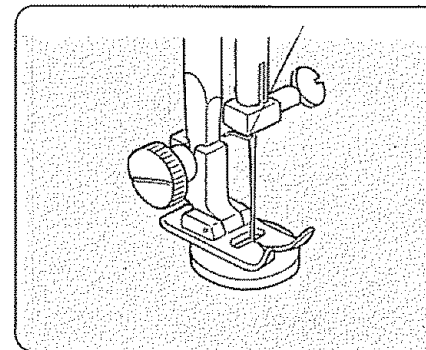
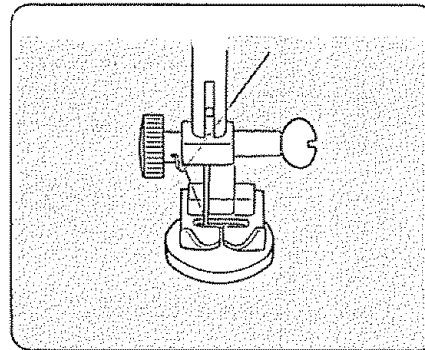
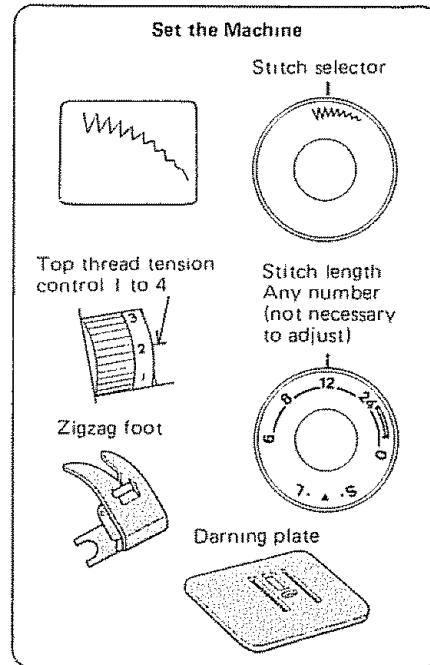
• Embroidery



Here's How

1. Put the darning plate over the needle plate (see p. 27).
2. Remove presser foot.
3. Adjust the stitch width as desired (see p. 20).
4. Draw the design on to the fabric with tailor's chalk.
5. Stretch the fabric between embroidery hoops and place under the needle.
6. Lower the presser foot lever to engage the top thread tension.
7. Holding the top thread in your left hand, rotate the hand wheel toward you one complete turn. Pull the top thread to draw the bobbin thread through to the surface of the fabric.
8. Using a medium speed, stitch along the marked outline, guiding the fabric carefully by hand.

- Sew a Button



Use the darning plate for button sewing (see p. 27).

1. Set the pattern selector at " ".
2. Align the both holes of the button with the slot of the foot and place the left hole of the button just below the needle point.
3. Lower the foot and turn the pattern selector to zigzag until the needle point comes just above the right hole of the button.
4. Sew about five stitches and raise needle.
5. Set the pattern selector at " " again and sew a few stitches to lock thread.

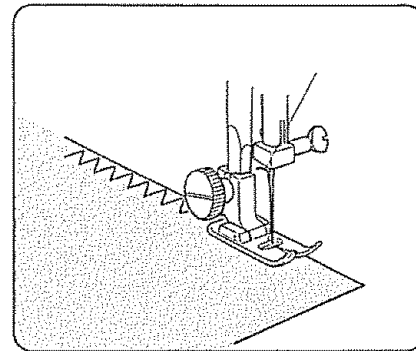
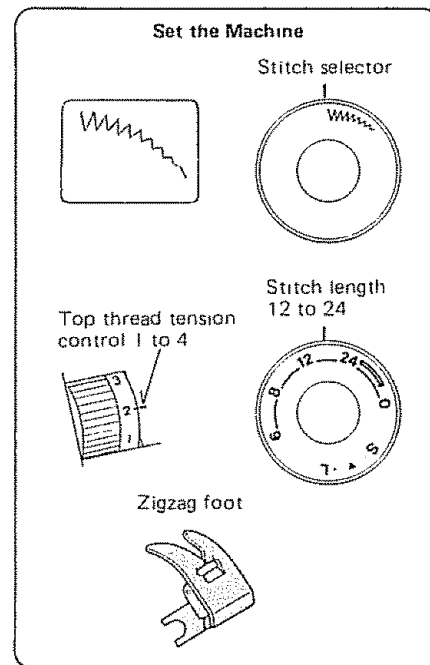
To strengthen the shank, cut the threads leaving a 8 inches tail. Bring the needle thread down through the hole in the button and wind it around the shank.

Draw the thread to the underside and knot.

SECTION 3. LEARN THE STITCHES

Zigzag Stitches (Continued)

• Overcasting Stitch



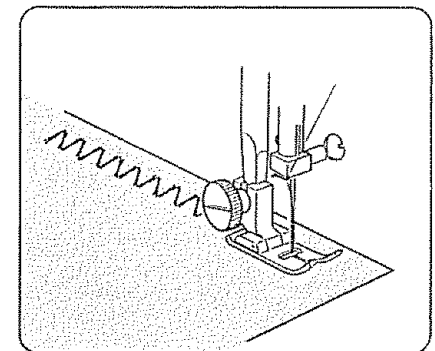
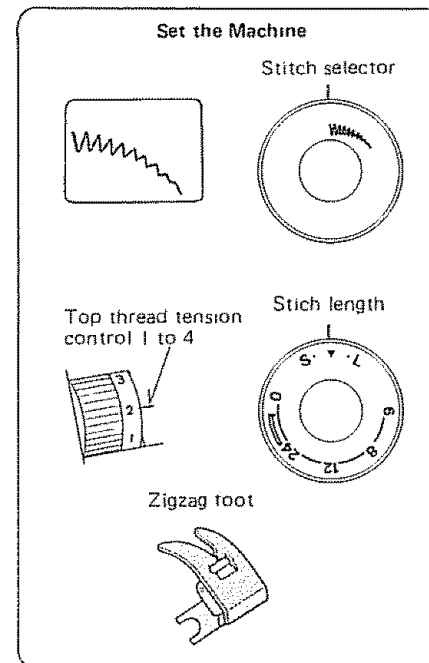
Helpful Hints

Start overcasting about 1/8" inside the raw corner of your seam. If you start right at the edge, the fabric will bunch up and the stitches will become tangled.

The Stitch and Its Uses

This zigzag variation is very useful in garment construction and in finishing raw edges of any sewing project.

• Rick-Rack Stretch



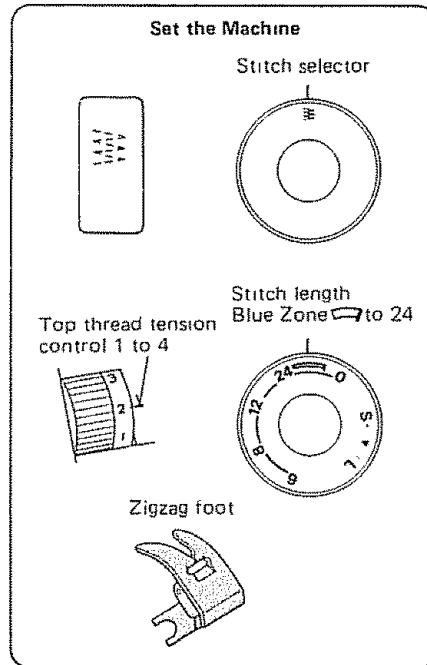
The Stitch and Its Uses

Sew on stretch fabrics in any area that you might use a zigzag stitch.

This stitch can be used as a decorative top stitch as well.

Zigzag Stitches (Continued)

• Mending

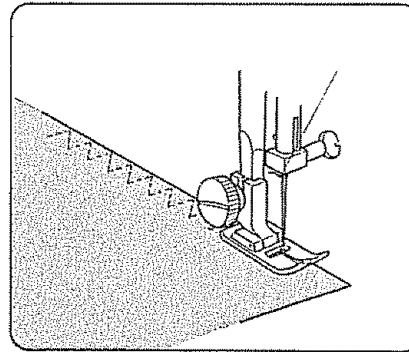


The Stitch and Its Uses

The three-step zigzag is a combination zigzag and straight stitch. You may use the three-step zigzag everywhere you would use the basic zigzag stitch. It has more strength, elasticity, and is flatter than a regular zigzag.

The three-step zigzag stitch is especially useful for:

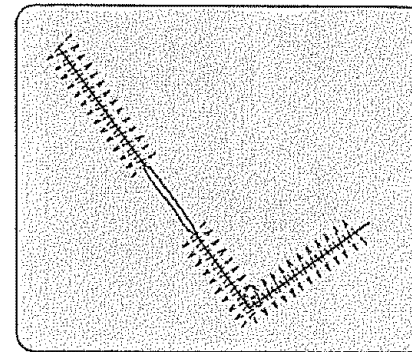
- mending
- sewing patches smoothly and securely.
- repairing straight tears.
- finishing seams.



Seam Finishing

Place the fabric under the presser foot so that the edge will be slightly inside the right hand side of the presser foot.

Guide the work so the right hand stitches fall at the edge of the fabric.

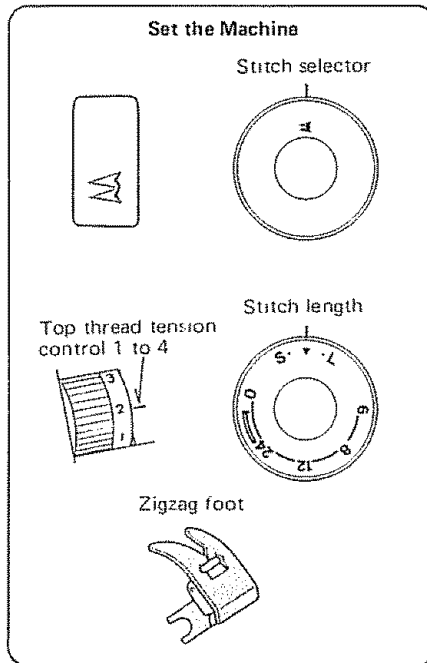


Mending

Position the tear under the needle so that the stitching will catch both sides.

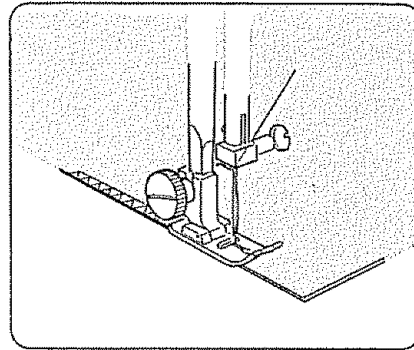
SECTION 3. LEARN THE STITCHES

• Overcast Stretch Stitching



The Stitch and Its Uses

This stitch can be used for sewing a seam with an overcast finish. The seam is formed and finished in one operation. It can be used when you are making swimwear, ski pants and other garments that require stretch.



Here's How

Place the raw edge of the fabric to the LEFT of the needle as shown.

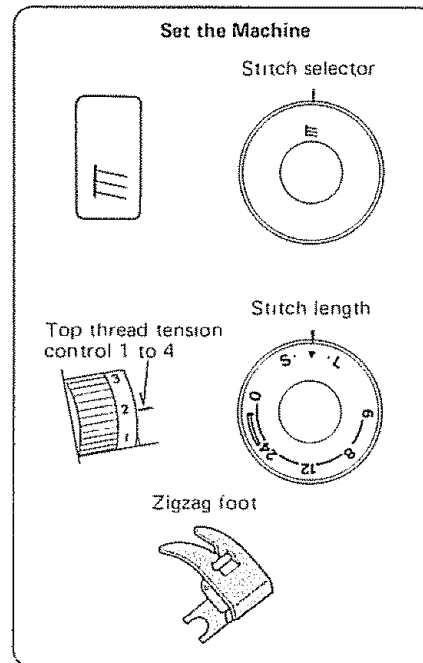
Stitch so the needle pierces the fabric just short of the outside edge.

Or, place your fabric to allow a 5/8" seam, then trim seam allowance after.

Raw or worn edges of older garments can be overcast to prevent further raveling.

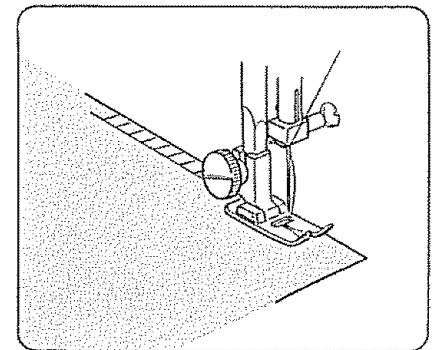
NOTE: Use a blue stretch fabric needle, which effectively prevents skipped stitches.

• Serging or Pine Leaf Stretch Stitching (Models 12741 and 12641)



The Stitch and Its Uses

Use this stitch when you want a narrow seam that you do not need to press open flat. It is ideal for 1/4" seams on knits or on medium to heavyweight woven fabrics where you want a narrow seam. It is also great for making elastic swim wear.



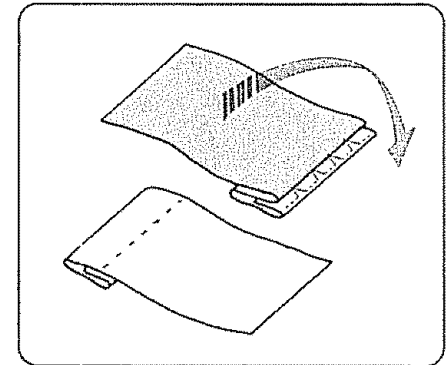
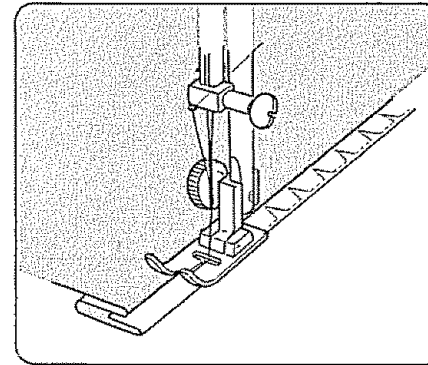
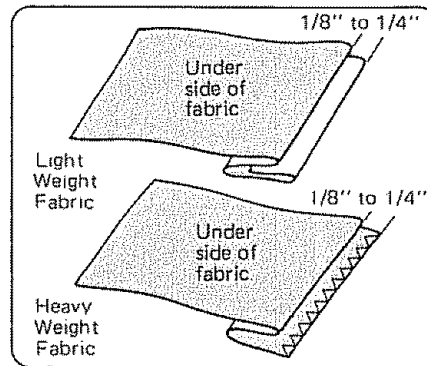
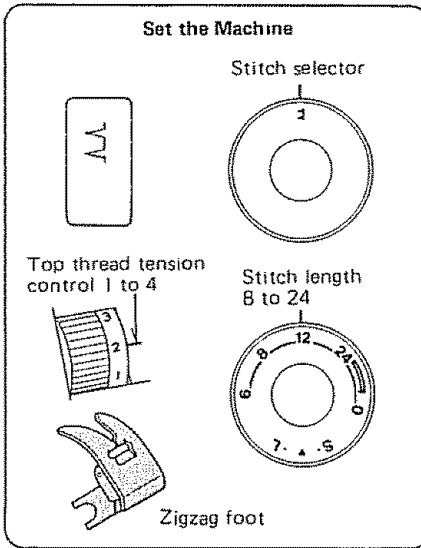
Here's How

Place the fabric under the presser foot so that the stitches are made over the edge.

Or, place your fabric to allow a 5/8" seam, then trim seam allowance after.

NOTE: When using stretch knit fabric, use a blue stretch fabric needle which effectively prevents skipped stitches.

Blind Hemming



There are two blind hem stitches on your machine. The regular blind hem is used for woven fabrics. The stretch blind hem is wider and will "give" and is used for knit and stretch fabrics.

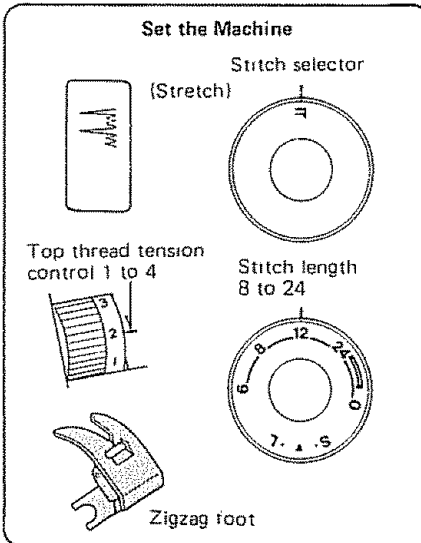
1. Finish the raw edge of your hem any way you desire. (See Overcasting, p. 34)
2. Measure, turn up your hem and pin.

NOTE: For light weight fabrics, you may need a double fold.

3. Fold the material (under side out) on the edge to be stitched, as shown, leaving 1/8" (regular blind hem) to 1/4" (stretch blind hem) of the finished hem edge showing.
4. Place garment under presser foot in such a manner that straight stitches will be sewn on extended edge. The zigzag stitch should just catch the fold of the garment.

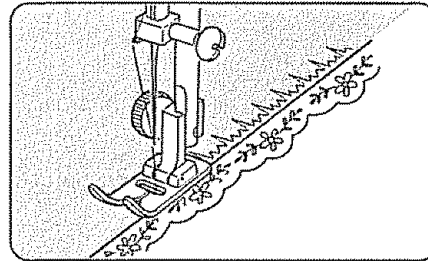
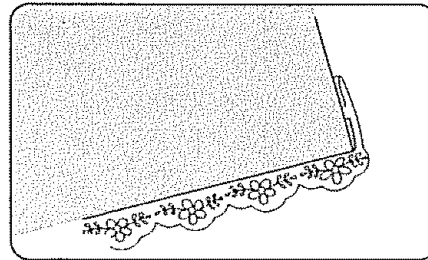
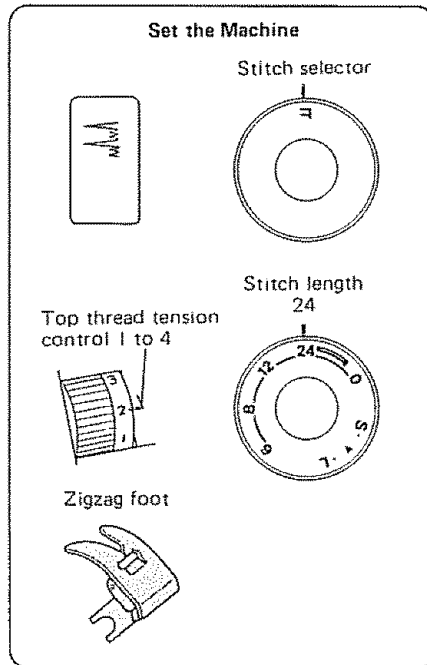
5. After hemming, press both sides of the finished hem. The top side of the garment will show only the blind stitches.

NOTE: The stretch blind hem stitch also can be used for Lace Work. (See p. 38)



SECTION 3. LEARN THE STITCHES

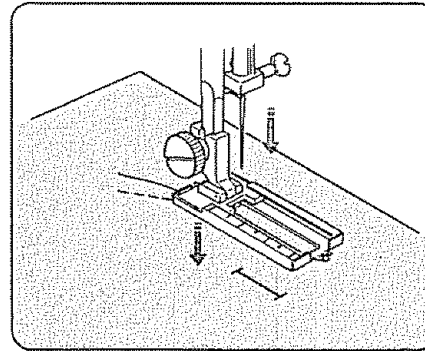
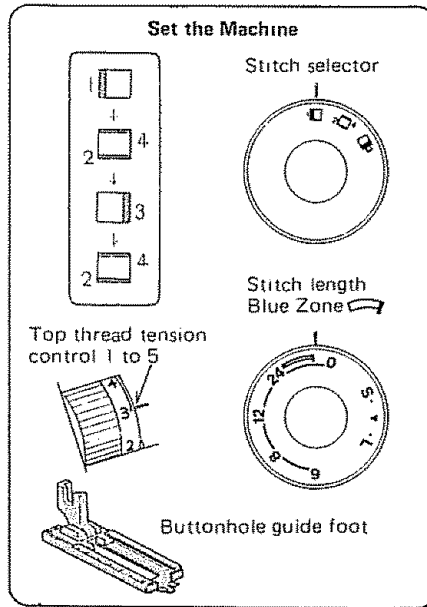
Lace Work



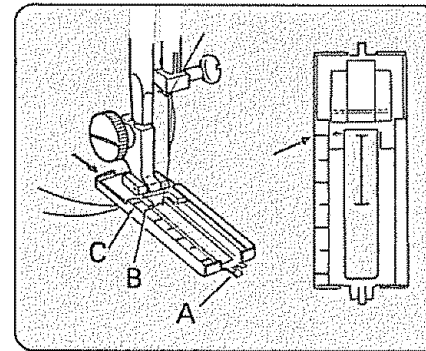
Lace adds a fanciful, feminine touch to blouses and lingerie. Table linens and pillows become more elegant when trimmed with lace.

Turn raw edge of fabric under at least 1/2". Place lace underneath and top-stitch using stretch blind hem stitch.

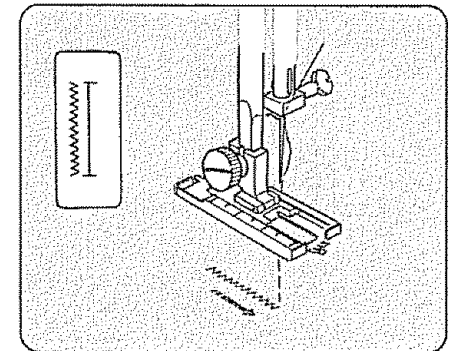
Trim excess fabric close to stitching.

Buttonholes

1. a. Carefully mark the buttonhole length on your garment.
- b. Change to the buttonhole guide foot.
- c. Insert the garment under the foot with the buttonhole marking running toward you.



2. a. Move the slider (A) toward you so that the top mark (C) on the slider meets the start mark (B).
- b. Line up the markings on the foot with the top mark on your garment.
- c. Lower the presser foot.



3. a. Set the stitch selector at .
- b. Sew forward until you reach the front marking of your buttonhole.
- c. Stop sewing at the left stitch.

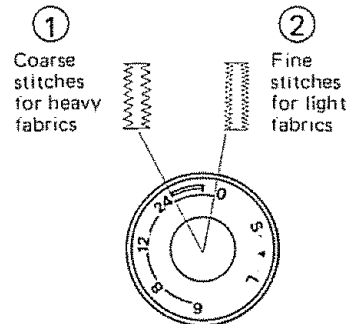
NOTE: The markings on the slider are engraved in centimeters.

Adjusting the Stitch Density

Depending upon your fabric or your own preference in buttonholes, you may alter the buttonhole stitch density within the blue buttonhole range on the stitch length dial.

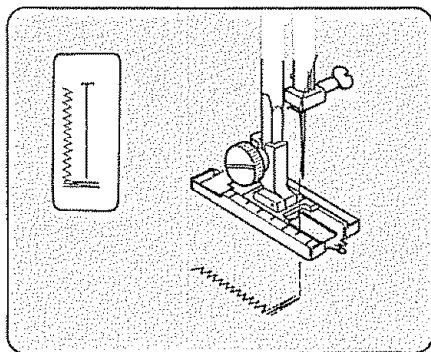
1. For less density, turn the dial toward "24".
2. For more density, turn the dial toward "0".


NOTE: Always make a practice buttonhole on a scrap fabric you plan to use to find the more suitable stitch length.

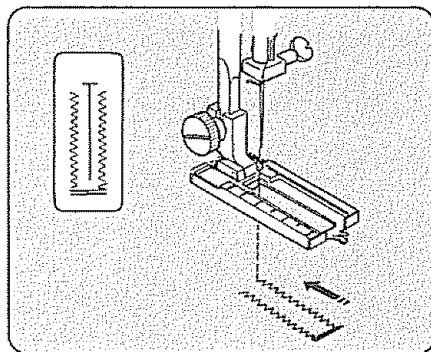



SECTION 3. LEARN THE STITCHES

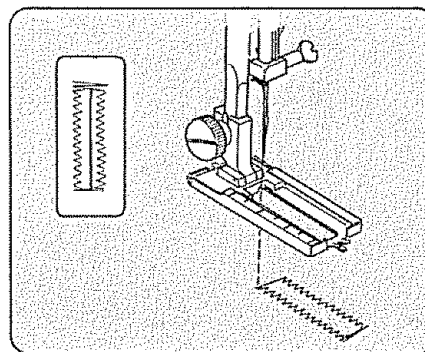
Buttonholes (Continued)




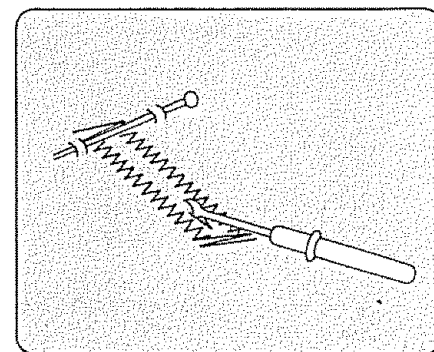
4. a. Set the stitch selector at .
- b. Sew 4 to 6 stitches.
- c. Stop sewing at the right stitch.



5. a. Set the stitch selector at .
- b. Sew until you reach the back of the buttonhole.
- c. Stop sewing at the right stitch.

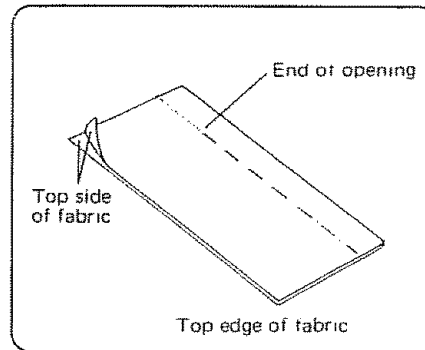
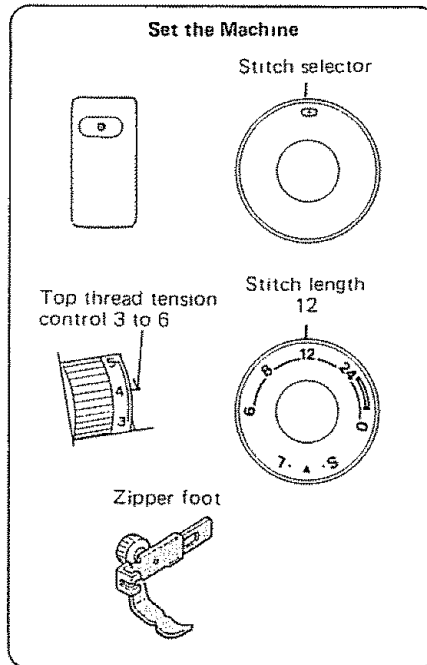


6. a. Set the stitch selector at .
- b. Sew 4 to 6 stitches.
- c. Stop sewing at the left stitch.



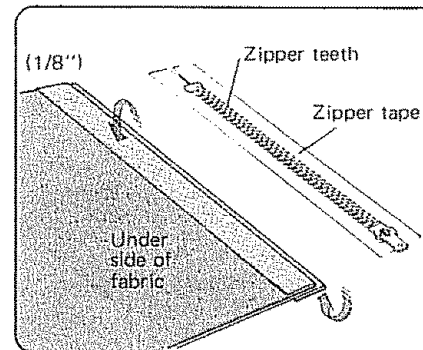
7. Remove the fabric and cut the hole open with the buttonhole opener in your accessory box.

Sew in a Zipper

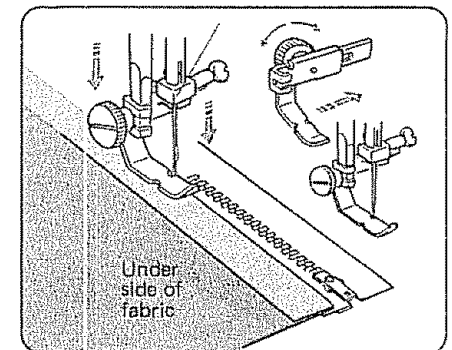
**Fabric Preparation:**

Put the top sides of the fabric together and sew to the end of the zipper opening. Use the reverse to lock the stitches.

Sew the zipper opening with stitch length at "6" and top thread tension at "3".

**To Sew:**

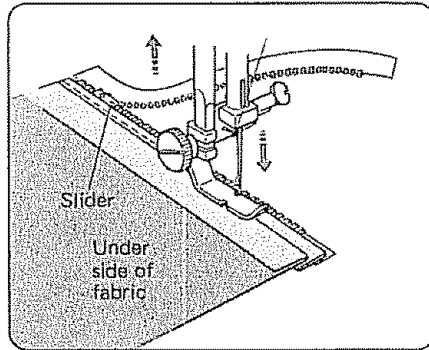
1. Fold back the left seam allowance as shown.
2. Turn under the right seam allowance to form a 1/8" fold.
3. Place the zipper teeth next to the 1/8" fold and pin in place.



4. To sew the left side of the zipper, set the zipper foot on the left side of the needle.
5. Lower the zipper foot on the right side at the bottom of the zipper so that the needle pierces the fold and the zipper tape.
6. Sew through the fold and the zipper tape to the point where the slider begins.
7. Lower the needle to hold the fabric and raise the presser foot.

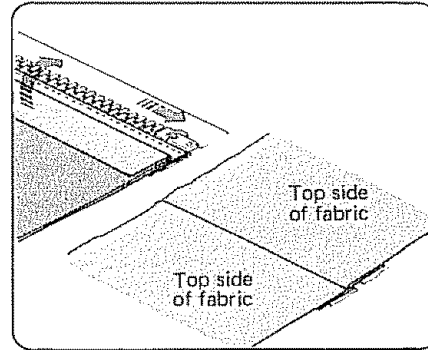
SECTION 3. LEARN THE STITCHES

Sew in a Zipper (Continued)

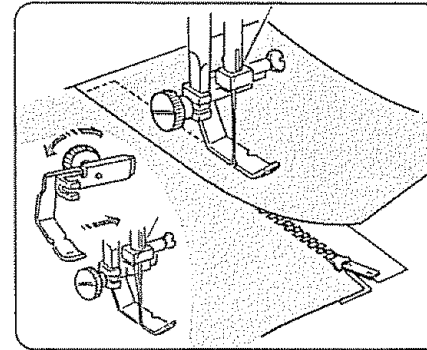


8. Open the zipper.

9. Lower the presser foot and stitch the rest of the seam.



10. Close the zipper and turn the fabric top side up.

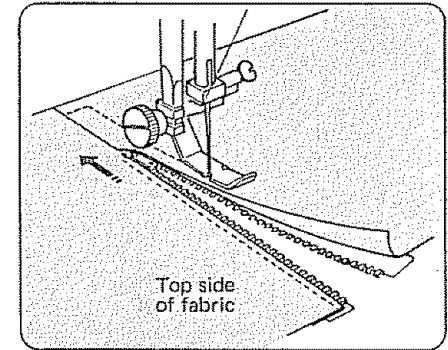


11. To sew the right side of the zipper, set the zipper foot on the right side of the needle.

12. Stitch across and below the bottom of the zipper.

13. Turn the corner and continue to guide the foot along the zipper teeth, as shown.

Stitch through the fabric and zipper tape.



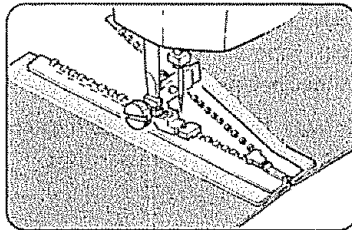
14. Stop about 2" from the top of the zipper.

15. Lower the needle into the fabric and raise the presser foot.

16. Remove the basting stitches and open the zipper.

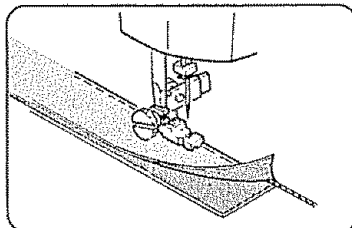
17. Lower the foot and stitch the rest of the seam. Make sure the fold is even.

INVISIBLE ZIPPER AND CORDING



INVISIBLE ZIPPER

Adjust the foot so the needle is sewing through the center hole of the foot and one groove of the foot is riding on the teeth of the zipper as shown. Follow the zipper manufacturer's instructions. After zipper has been inserted, finish sewing seam by shifting foot to side position sewing through side notch.



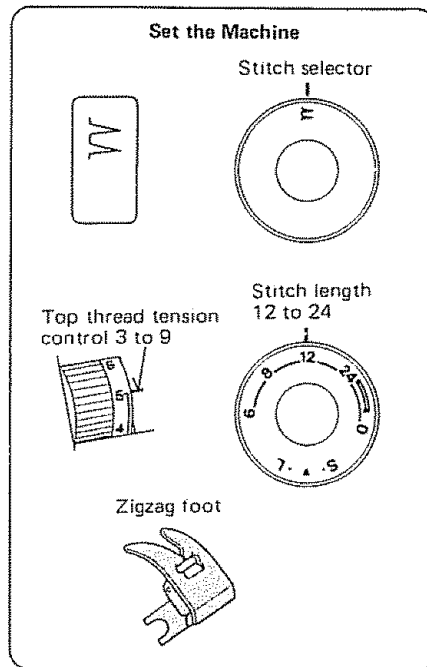
CORDING

Foot can also be used to make cording for slip-covers etc. Cover a cord with a strip of bias fabric and sew as shown.

NOTE:

Use "Low Bar Sewing Machine ZIPPER FOOT" (6757) for "invisible zipper" and "cording", which can be obtained at any Sears retail store.

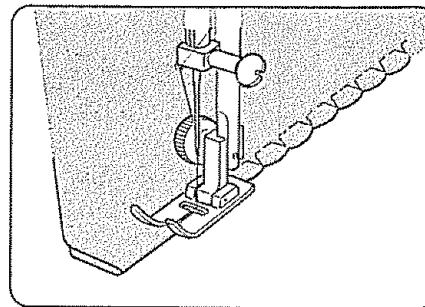
Shell Stitching (Models 12741 and 12641)

The Stitch and Its Uses

The Shell Stitch is formed by sewing a blind hem over folded fabric. Several rows of shell stitching are called shell tucks.

Shell stitching can be used to finish hems, sleeve and neck openings.

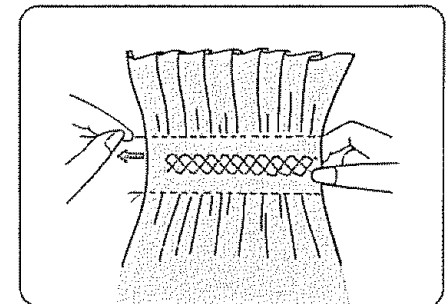
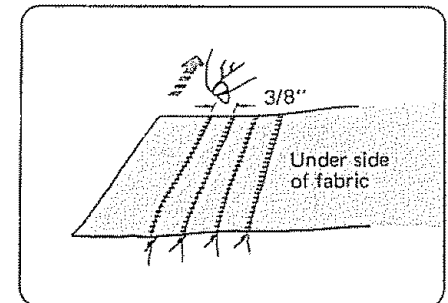
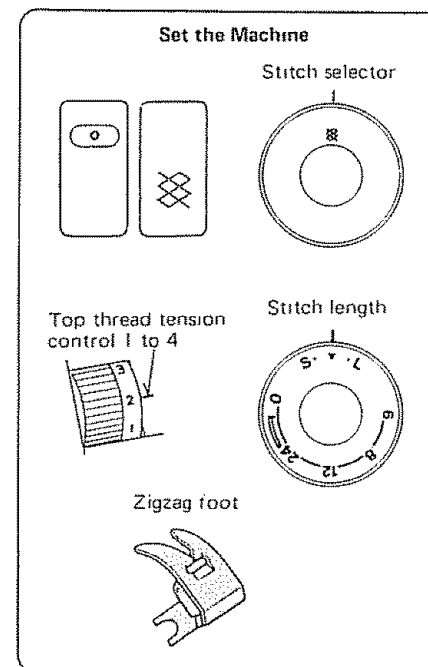
Shell tucking can be used to create scalloped tucks on blouses and lingerie.

Here's How

- For best effect —
 - set the stitch length as you desire.
 - you may need to tighten the top thread tension slightly.
 - allow the needle to just clear the folded edge of the fabric when it zigzags.
- If you sew rows of shell stitches, space the rows 1/2" apart.

You can sew Shell Stitch on knits or soft silky wovens in any direction.

Smocking

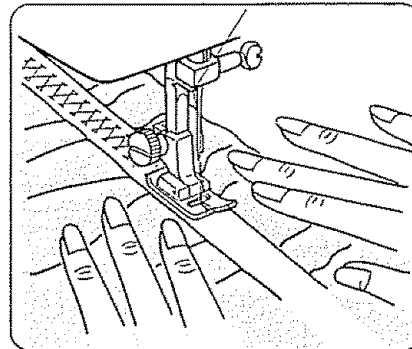
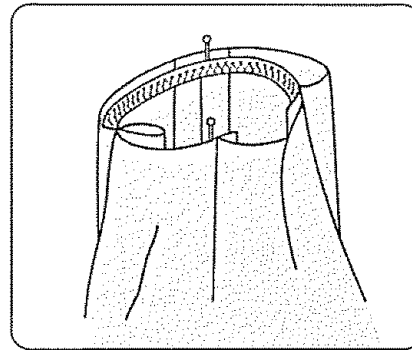
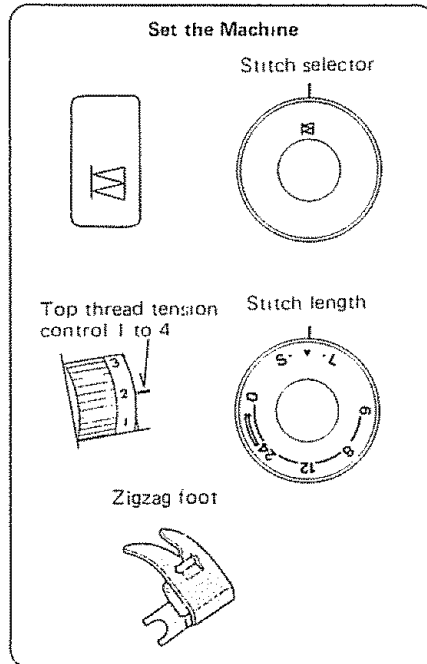


With the stitch length at "6", sew straight stitching lines 3/8" (1 cm) apart across the area to be smocked. Knot the threads along one edge. Pull the bobbin threads and distribute the gathers evenly. Secure the threads at the other end. Sew the decorative stitch between the gathering stitches. Pull out the gathering stitches.

NOTE: Loosen the top thread tension to make gathering easier.

SECTION 3. LEARN THE STITCHES

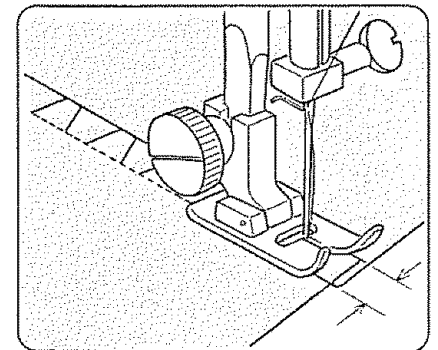
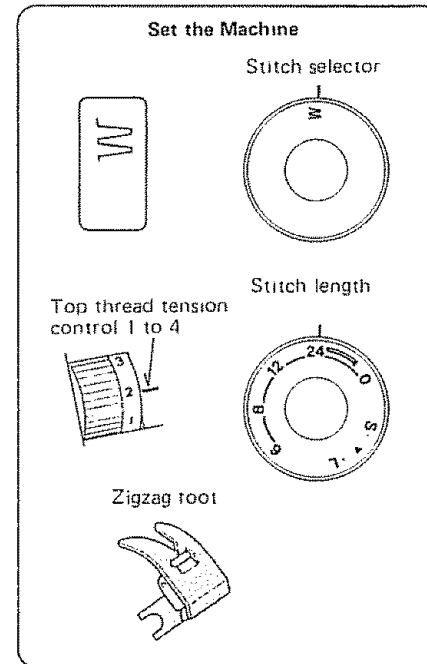
Elastic Stretch Stitch (Model 12741 only)



Choose this stitch to attach elastic to garments.

1. Mark the elastic into quarters and match these to the center front, center back and side seams.
2. Place the middle of the elastic under the center of the presser foot and stitch into place, making sure the elastic is evenly distributed.

Box Stitching (Model 12741 only)



Use this stitch to join heavy weight interlining.

Overlap two raw edges together and use this stitch to join them.

SECTION 4. PERFORMANCE PROBLEMS CHART

What to Do When

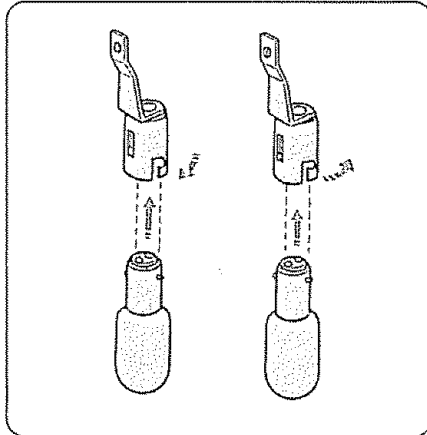
PROBLEM	PROBABLE CAUSE	CORRECTION
Irregular Stitches	<p>Incorrect size needle. Improper threading. Loose upper thread tension. Pulling fabric. Loose presser foot. Unevenly wound bobbin. Nicks or burrs at hole of needle plate.</p>	<p>Choose correct size needle for thread and fabric. Rethread machine. Tighten upper thread tension. Do not pull fabric; guide it gently. Reset presser foot. Rewind bobbin. Replace needle plate, or polish off burrs completely.</p>
Breaking Needle	<p>Pulling fabric. Incorrect size needle. Incorrect setting of needle. Loose presser foot.</p>	<p>Do not pull fabric; guide it gently. Choose correct size needle for thread and fabric. Reset needle. Reset presser foot.</p>
Bunching of Thread	<p>Upper and lower threads not drawn back under presser foot before starting seam.</p>	<p>When starting a seam be sure to draw both threads under and back of presser foot about 4" and hold until a few stitches are formed.</p>
Puckering	<p>Incorrect thread tension(s). Using two different sizes or kinds of thread. Bent or blunt needle. Loose presser foot. Fabric too sheer or too soft.</p>	<p>Reset thread tension(s). Upper thread and bobbin thread should be same size and kind. Insert new needle. Reset presser foot. Use underlay of tissue paper.</p>

SECTION 4. PERFORMANCE PROBLEMS CHART

What to Do When (Continued)

PROBLEM	PROBABLE CAUSE	CORRECTION
Skipping Stitches	Incorrect size needle. Certain knits and synthetics. Bent or blunt needle. Incorrect setting of needle. Tight upper thread tension.	Choose correct size needle for thread and fabric. Use "Q NEEDLE". Insert new needle. Reset needle. Loosen upper thread tension.
Breaking Upper Thread	Starting to stitch too fast. Improper threading. Tight upper thread tension. Incorrect size needle. Sharp eye in needle. Nicks or burrs on shuttle. Nicks or burrs at hole of needle plate.	Start to stitch at a medium speed. Rethread machine. Loosen upper thread tension. Choose correct size needle for thread and fabric. Insert new needle. Replace shuttle, or polish off burrs completely. Replace needle plate, or polish off burrs completely.
Breaking Bobbin Thread	Improper bobbin case threading. Lint in bobbin case or shuttle.	Check bobbin case threading. Clean bobbin case and shuttle.
Fabric not Moving	Darning plate in place. Stitch Length set at 0. Thread knotted under fabric.	Remove darning plate. Adjust Stitch Length Control. Place both threads back under presser foot before beginning to stitch.
Machine Jamming Knocking Noise	Thread caught in shuttle. Lint in bobbin case or shuttle.	Disassemble and clean shuttle. Clean bobbin case and shuttle.

Replace the Light Bulb



1. Unplug the machine and open the face cover.

CAUTION! The light bulb will be HOT. Protect your fingers when you handle it.

2. Push the bulb up and turn the bulb counter-clockwise to remove it.
3. Put the new bulb in by pushing it up and turning it clockwise.

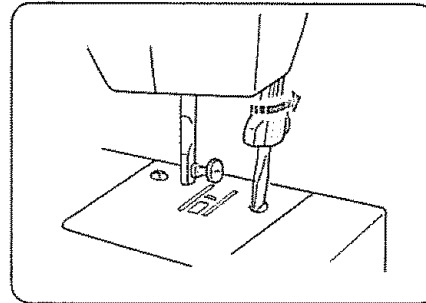
Cleaning the Machine

To insure that your machine operates at its best, you need to keep the essential parts clean at all times. The feed dogs and shuttle race areas can attract dust and lint. Your machine can become sluggish or knock loudly if a thread is caught.

Check and clean those areas about every three months under normal use. If you sew frequently, clean more often.

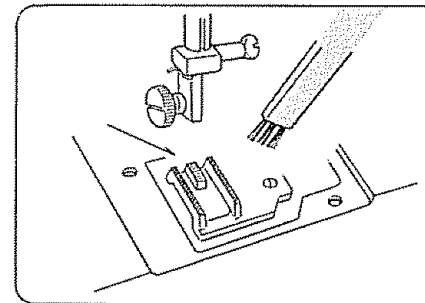
NOTE: Unplug machine before cleaning.

• Clean the Feed Dogs

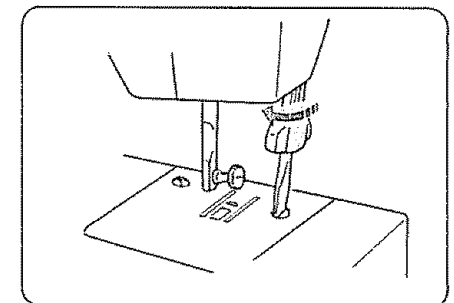


Follow these direction:

1. Using a screw driver, remove needle plate.



2. Use a lint brush and clean the feed dogs.

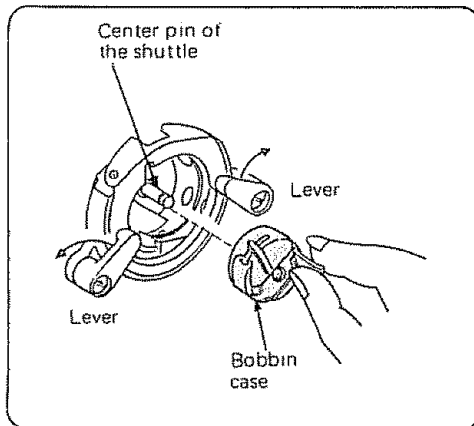


3. Replace needle plate.

SECTION 5: CARE FOR YOUR MACHINE

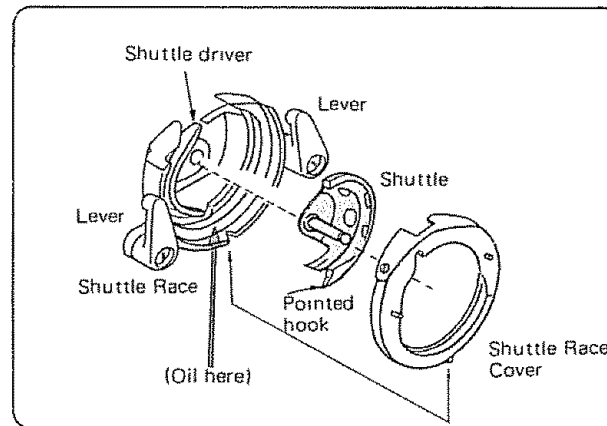
• Clean the Shuttle Race

This area must be kept free of dust, lint and occasional tangled thread. Clean the shuttle race area about every three months.



To Clean the Shuttle Area:

1. Raise the needle bar to its highest point and remove the bobbin case.
2. Push shuttle race levers aside. Lift shuttle race cover and take shuttle out.
3. Clean the shuttle race with a lint brush.
4. Put a drop of sewing machine oil on the center pin of the shuttle. Do not over-oil.



To Replace Shuttle Assembly:

1. Position shuttle race as illustrated so that shuttle driver is forming half moon on the left side of the machine.
2. Hold shuttle by center pin and position shuttle so as to form a half moon on the right side. Pointed hook will be on the bottom.
3. Place shuttle race cover into place over shuttle assembly.
4. Snap the levers back into the original position.

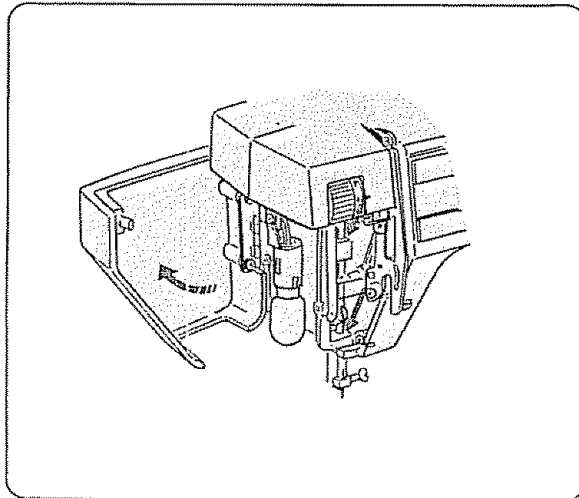
Oiling the Machine

Oil the machine in all areas shown on the next two pages at least once a year; otherwise the machine can become sluggish or will knock loudly. If you use the machine frequently, oil the machine under the top cover about every three months. In case machine is not used for an extended time, oil it before sewing. Use good quality sewing machine oil. One or two drops of oil is sufficient. Remove excess oil, otherwise it may stain fabric.

Kenmore sewing machine oil is available at your nearest Sears retail store.

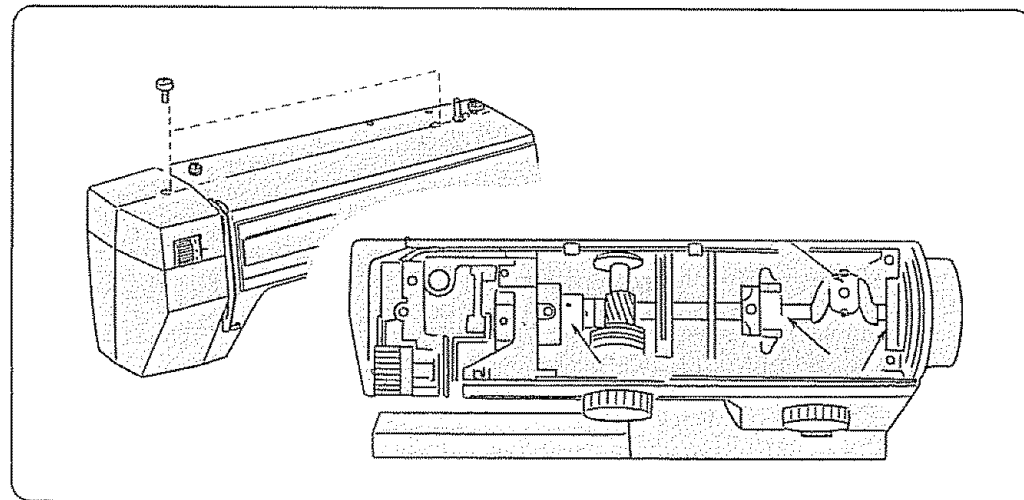
NOTE: Unplug the machine before oiling.

- Oil behind the Face Cover Plate



Open face cover plate and oil points in illustration. Use only a drop of oil; do not over-oil.

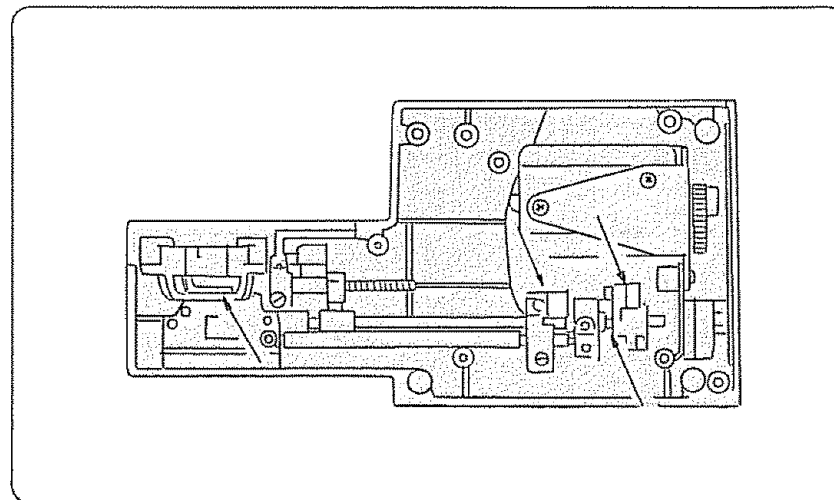
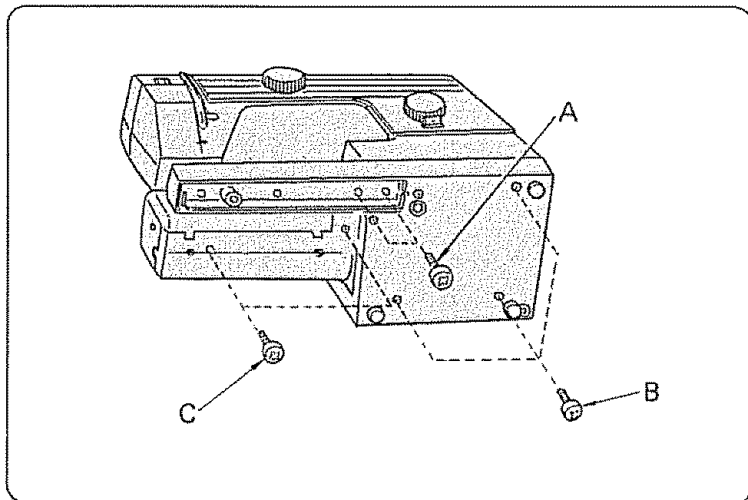
- Oil under the Top Cover



Remove top cover plate to oil points indicated in top of machine head. To remove cover plate, loosen up two top screws and lift the cover plate as illustrated.

SECTION 5. CARE FOR YOUR MACHINE

- Oil the Underside

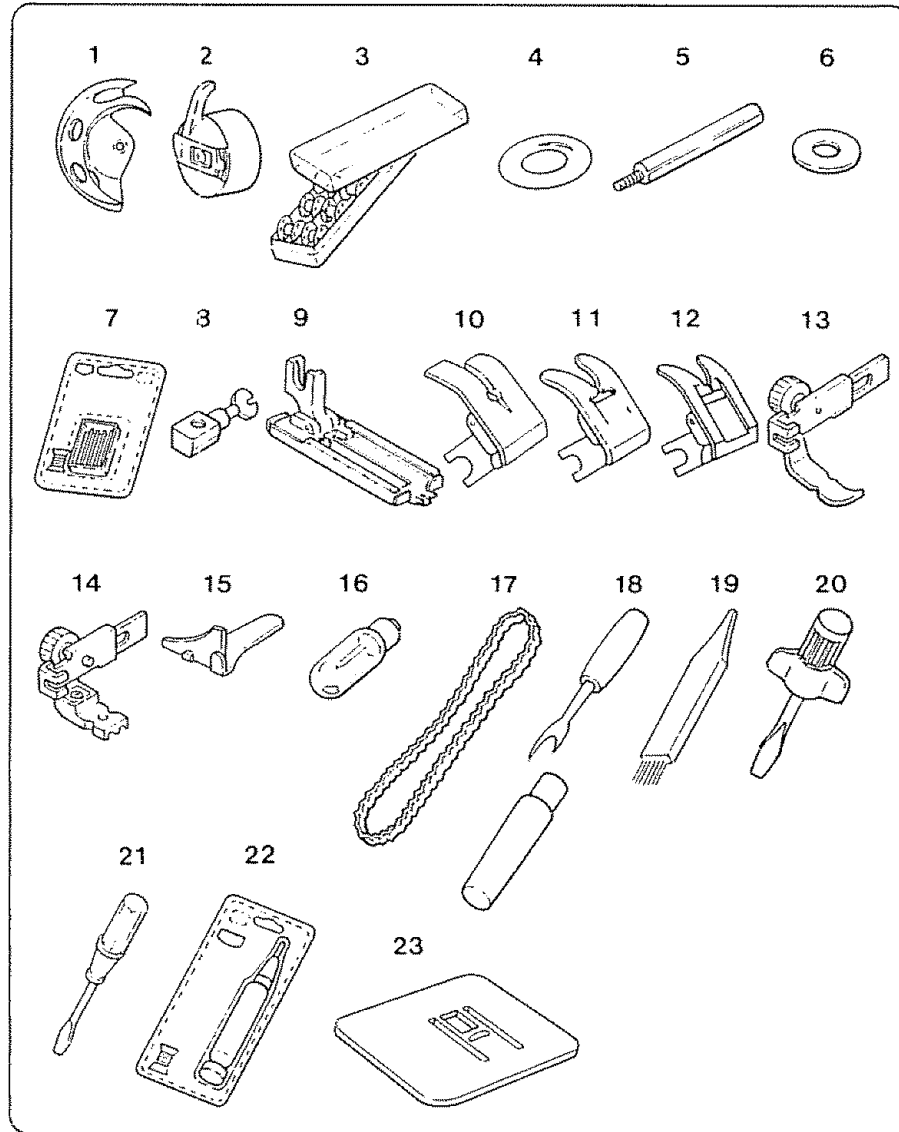


Oil the underside at least once a year.

Tilt machine head back and remove bottom covers. Oil points indicated on underside of machine.

To remove bottom covers, remove screws (A), (B) and (C) as shown.

PARTS LIST



All parts listed herein may be ordered from any Sears, Roebuck and Co. store or service center.

WHEN ORDERING REPAIR PARTS, ALWAYS GIVE THE FOLLOWING INFORMATION:

1. PART NUMBER 2. PART DESCRIPTION
3. MODEL NUMBER 4. NAME OF ITEM

If the parts you need are not stocked locally, your order will be electronically transmitted to a Sears Repair Parts Distribution Center for expedited handling.

Ref. No.	Part No.	Description
1	47	Shuttle
2	6510	Bobbin case
3	*6862	Bobbin box with 10 bobbins
4	1939	Bobbin winder rubber ring
5	8286	Thread spool pin
6	102403202	Spool pin felt
7	813404013	No. 11 Stretch fabric needles (BLU)
	6551	No. 11 Single needles (ORG)
	6552	No. 14 Single needles (RED)
	6553	No. 16 Single needles (PUR)
	6554	No. 18 Single needles (GRN)
	*6746	"Q NEEDLES"
8	36353	Needle clamp with screw
9	648801005	Buttonhole guide foot
10	650802003	Straight stitch foot
11	40390	Standard zigzag foot
12	6870	Satin stitch foot
13	593401008	Zipper foot
14	*6757	Zipper foot
15	*6864	Needle threader
16	6797	Light bulb
17	40164	Motor belt (Upper)
	33379	Motor belt (Lower)
18	6830	Buttonhole opener
19	802424004	Lint brush
20	820832005	Large screw driver
21	41669	Small screw driver
22	*6889	Oil and lint brush
23	649802009	Darning plate

*These items are not furnished with the machine, but may be ordered per instructions above.

INDEX

A

Appliqueing 25, 31

B

Bar tacking 23, 31
 Base 2
 Basic zigzag 21, 29
 Blind hemming 24, 37
 Bobbin 4, 13~15, 51
 Bobbin case 13, 15, 48, 51
 Bobbin thread 17~18
 Bobbin winding 13~14
 Box stitching 25, 44
 Buttonhole 24, 39~40
 Buttonhole guide foot 4, 10, 24, 39~40, 51
 Buttonhole opener 4, 40, 51
 Button sewing 23, 33

C

Cabinet 2
 Changing presser foot 9~10
 Cleaning feed dogs and shuttle race 47~48
 Clutch knob 3, 13
 Cording 23, 42
 Cornering guide 26

D

Darnig 23, 28
 Darning plate 4, 27~28, 32~33, 51

E

Elastic stretch stitching 25, 44
 Embroidery 23, 32
 Extension table 2, 7

F

Fabric, needle, thread and
 stitch length chart 12
 Face cover plate 2, 49
 Feed dogs 47
 Foot control 3, 5
 Free arm sewing 7~8

H

Hand wheel 3, 17

I

Invisible zipper 42

L

Lace work 24, 38
 Light and power switch 3, 5
 Light bulb 5, 47, 51
 Lint brush 4, 47, 51

M

Mending 23, 35
 Monogramming 23, 32

N

Needle 11~12
 Needle clamp 3, 12, 51
 Needle plate 2, 47
 Needle, thread and fabric chart 12

O

Oiling 49~50
 Overcasting stitch 34
 Overcast stretch stitching 24, 36

P

Parts list 51
 Performance problems 45~46
 Pine leaf stretch stitching 36
 Plug connector 3, 5
 Portable case 2
 Power switch 5
 Practical stitch chart 23~25
 Presser foot 3, 9~10
 Presser foot lever 3, 6

R

Replacing bobbin case 13, 15
 Reverse stitch control 2, 21, 26
 Rick rack stretch stitching 23, 34

S

Satin stitch foot 4, 10, 25, 30~32, 51
 Satin stitching 25, 30
 Seam guides 26
 Serging 25, 36
 Sewing light 5
 Shell stitching 25, 43
 Shuttle 48, 51
 Shuttle cover 2, 13
 Shuttle race 48
 Smocking 24, 43
 Spool pin felt 4, 6, 51
 Spool pins 3, 4, 6, 51
 Stitch length adjustment 21
 Stitch length control 21
 Stitch selector 20
 Stragith stitching 23, 26~28, 41~42, 43
 Straight stitch foot 4, 9, 23, 26~28, 51
 Straigh stretch stitching 23, 28

T

Thread guide 2~3, 16~17
 Thread take-up lever 2, 16
 Thread tensions 18~19
 Top cover 3, 49
 Topstitching 23, 27
 Top thread 16~17
 Top thread tension 18~19
 Turning a square corner 26

Z

Zigzag foot 9, 23~29, 31~38, 43~44, 51
 Zigzag stitching 23, 29~34
 Zigzag overcasting 34
 Zipper application 41~42
 Zipper foot 4, 10, 41~42, 51

WARRANTY

FULL 25-YEAR WARRANTY ON SEWING MACHINE HEAD

For 25 years from the date of purchase, Sears will, free of charge, repair defects in material or workmanship which appear in the mechanical components of the sewing machine head.

FULL TWO YEAR WARRANTY ON ELECTRICAL EQUIPMENT OF SEWING MACHINE

For two years from the date of purchase, Sears will, free of charge, repair defects in material or workmanship which appear in the electrical equipment of the sewing machine, including electronic components, motor, wiring, switch and speed control.

FULL 90-DAY WARRANTY ON ALL PARTS AND MECHANICAL ADJUSTMENTS

For 90 days from the date of purchase, Sears will, free of charge, replace any parts and provide mechanical service necessary for proper operation of the sewing machine, except for normal maintenance.

WARRANTY SERVICE IS AVAILABLE BY RETURNING THE SEWING MACHINE TO THE NEAREST SEARS SERVICE CENTER/DEPARTMENT IN THE UNITED STATES.

This warranty gives you specific legal rights, and you may also have other rights which vary from state to state.

SEARS, ROEBUCK AND CO., Dept. 698/731A, Sears Tower, Chicago, IL 60684

SEWING MACHINE

Now that you have purchased your Kenmore Sewing Machine, should a need ever exist for repair parts on service, simply contact your nearest Sears Service Center. Be sure to provide all pertinent facts when you call or visit.

The model number of your Sewing Machine will be shown on your nomenclature plate on the back of your Sewing Machine. See page 3 for location.

WHEN ORDERING REPAIR PARTS, ALWAYS GIVE THE FOLLOWING INFORMATION:

*MODEL NUMBER *NAME OF ITEM *PART DESCRIPTION

If the parts you need are not stocked locally, your order will be electronically transmitted to a Sears Repair Parts Distribution Center for handling.

SEARS, ROEBUCK AND CO., Chicago, IL60684 U.S.A.

Free Manuals Download Website

<http://myh66.com>

<http://usermanuals.us>

<http://www.somanuals.com>

<http://www.4manuals.cc>

<http://www.manual-lib.com>

<http://www.404manual.com>

<http://www.luxmanual.com>

<http://aubethermostatmanual.com>

Golf course search by state

<http://golfingnear.com>

Email search by domain

<http://emailbydomain.com>

Auto manuals search

<http://auto.somanuals.com>

TV manuals search

<http://tv.somanuals.com>