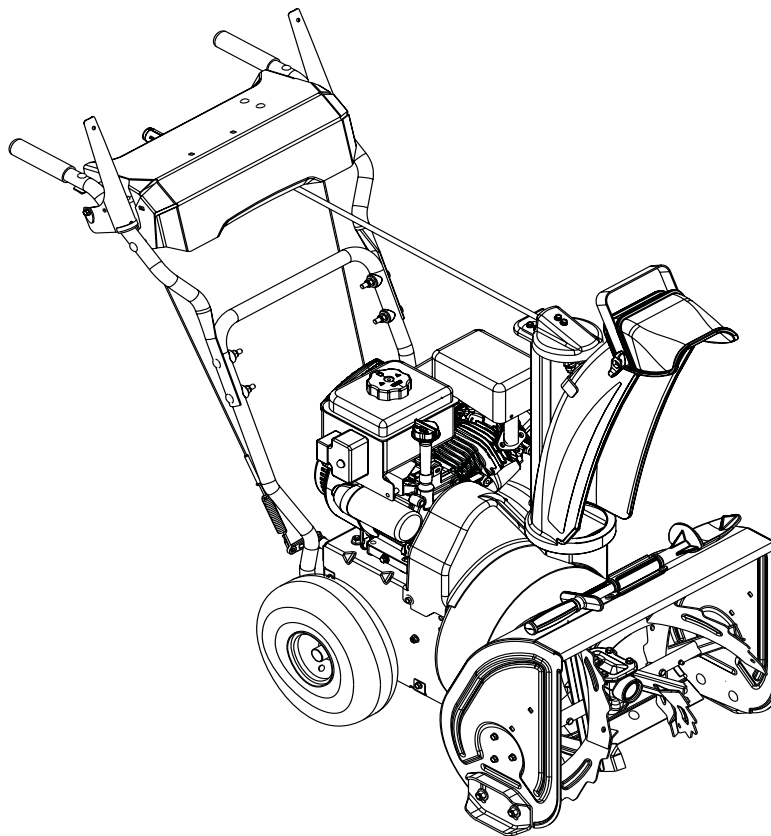




Parts Manual

Model

939401 – Sno-Tek 20
(Serial No. 075000 and up)
939302 – Sno-Tek 20
(Serial No. 000101 and up)



Gasoline containing up to 10% ethanol (E10) or up to 10% MTBE (methyl tertiary butyl ether) is acceptable for use in this machine. The use of any gasoline exceeding 10% ethanol (E10) or 10% MTBE will void the product warranty.

Il est possible d'utiliser de l'essence contenant jusqu'à 10% d'éthanol (E10) ou 10% de MTBE (éther méthyl-tertiobutylique) sur cette machine. L'utilisation d'une essence contenant plus de 10% d'éthanol (E10) ou de 10% de MTBE annulent la garantie.

En esta máquina puede utilizarse gasolina con hasta un 10% de etanol (E10) o hasta un 10% de MTBE (éter de metil butil terciario). El uso de cualquier otro tipo de gasolina con un porcentaje superior al 10% de etanol (E10) o al 10% de MTBE invalidará la garantía del producto.

THE MANUAL

Before you operate your unit, carefully and completely read manuals supplied with the unit. The contents will provide you with an understanding of safety instructions and controls during normal operation and maintenance.

For your safety and the safety of others always read, understand, and follow all DANGER, WARNING, and CAUTION messages found in manuals and on safety decals.

Hardware descriptions are given in decimals.

Decimals to Fractions			
.063	1/16	.563	9/16
.125	1/8	.625	5/8
.188	3/16	.688	11/16
.250	1/4	.750	3/4
.313	5/16	.813	13/16
.375	3/8	.875	7/8
.438	7/16	.938	15/16
.500	1/2	1.00	1

SERVICE AND REPLACEMENT PARTS

When ordering replacement parts or making service inquiries, know the model and serial numbers of your unit and engine.

Numbers are located on the product registration card in the unit literature package. They are printed on a serial number label, located on the frame of your unit.

- Record unit model and serial numbers here:

- Record engine model and serial numbers here:

UNAUTHORIZED REPLACEMENT PARTS

Use only Ariens replacement parts. The replacement of any part on this vehicle with anything other than an Ariens authorized replacement part may adversely affect the performance, durability, or safety of this unit and may void the warranty. Ariens disclaims liability for any claims or damages, whether warranty, property damage, personal injury or death arising out of the use of unauthorized replacement parts.

PRODUCT REGISTRATION

The Ariens dealer must register the product at the time of purchase. Registering the product will help the company process warranty claims or contact you with the latest service information. All claims meeting requirements during the limited warranty period will be honored, whether or not the product registration card is returned. Keep a proof of purchase if you do not register your unit.

Customer Note: If dealer does not register your product, please fill out, sign and return the product registration card to Ariens or go to www.ariens.com.

YOUR SATISFACTION IS IMPORTANT

Questions? Please follow these helpful steps:

1. Refer to the manuals supplied with your unit.
They will guide you through safe and proper operation and maintenance.
They contain specifications on your unit.
If your questions are not answered in these manuals, go to step number two.

2. Contact your dealer.
Our dealers will be happy to supply any service or advice required to keep your unit operating at peak efficiency.
A factory trained staff is available to support your equipment needs. They stock genuine Ariens parts and lubricants manufactured with the same precision and skill as the original.

If your questions are not resolved by the support staff, ask for the manager or owner.

When contacting your dealer supply your model and serial numbers.

When contacting your dealer supply your model and serial numbers.

TO SPEED PARTS ORDERING:

1. Know the model and serial numbers of your unit.
2. Know the part number required.
3. Know the quantity required.
4. Know the part description.

MODEL

Model 939401 Sno-Tek 20

20" Sno-Tek, Electric Start
Serial No. 075000 and up

Model 939302 Sno-Tek 20

20" Sno-Tek, Recoil Start
Serial No. 000101 and up

TABLE OF CONTENTS

DECALS

Decals – Sno-Tek 20 4

ENGINE AND DRIVE

Engine and Belt Drive 6

FRAME AND HOUSING

Handlebars and Controls 8

Auger and Impeller 10

Discharge Chute 12

Gear Case 14

DECALS

Model 939401, 302

4



2



3



5

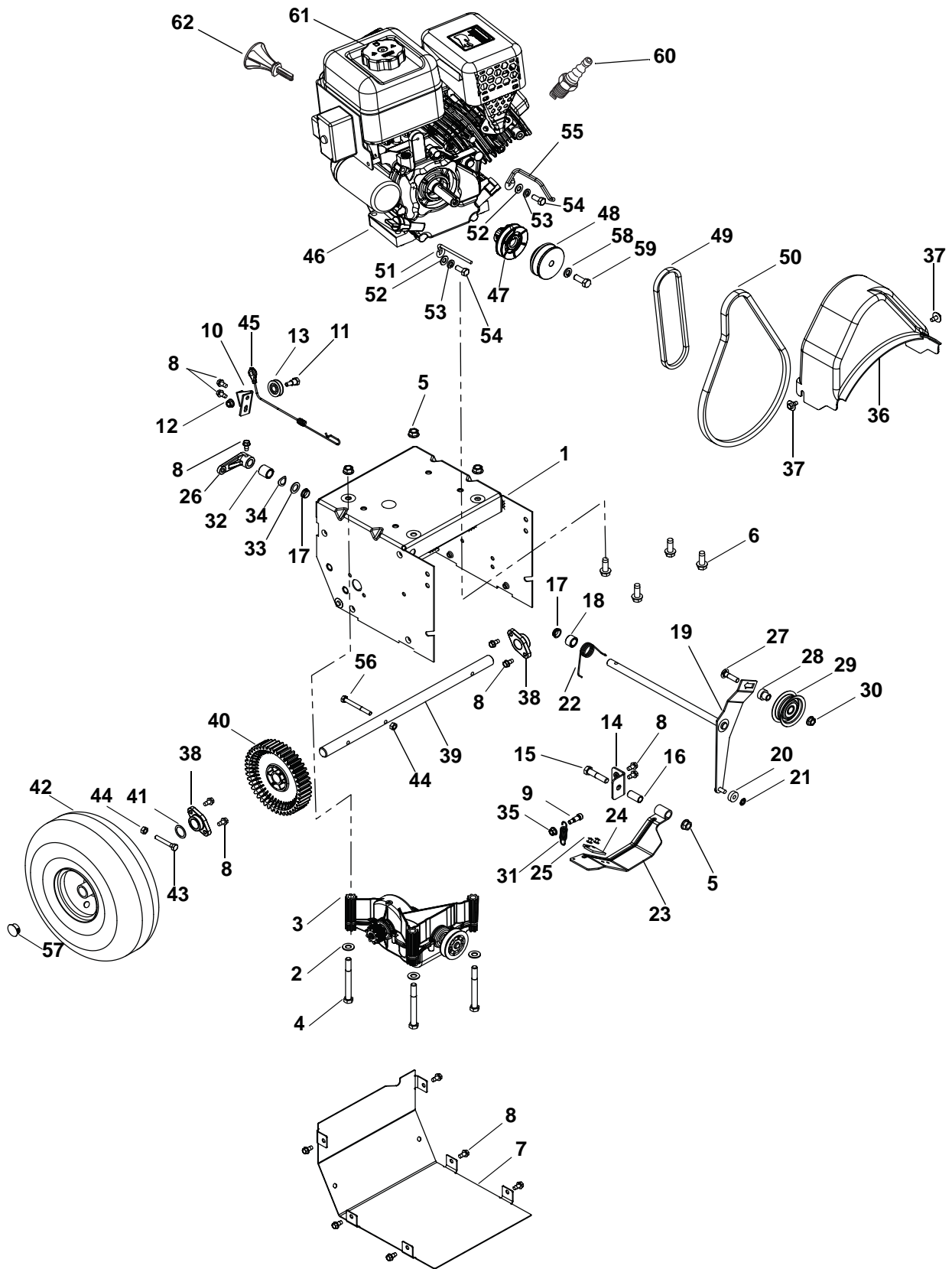


Item	Part No.	Qty.	Description
1	08000802	1	Decal, Danger
2	08000519	1	Decal, Danger, Rotating Parts
3	08000803	1	Decal, Dash
4	08000710	1	Decal, Control
5	08000804	1	Decal, Housing, 20"

NOTES

ENGINE AND BELT DRIVE

Model 939401, 302



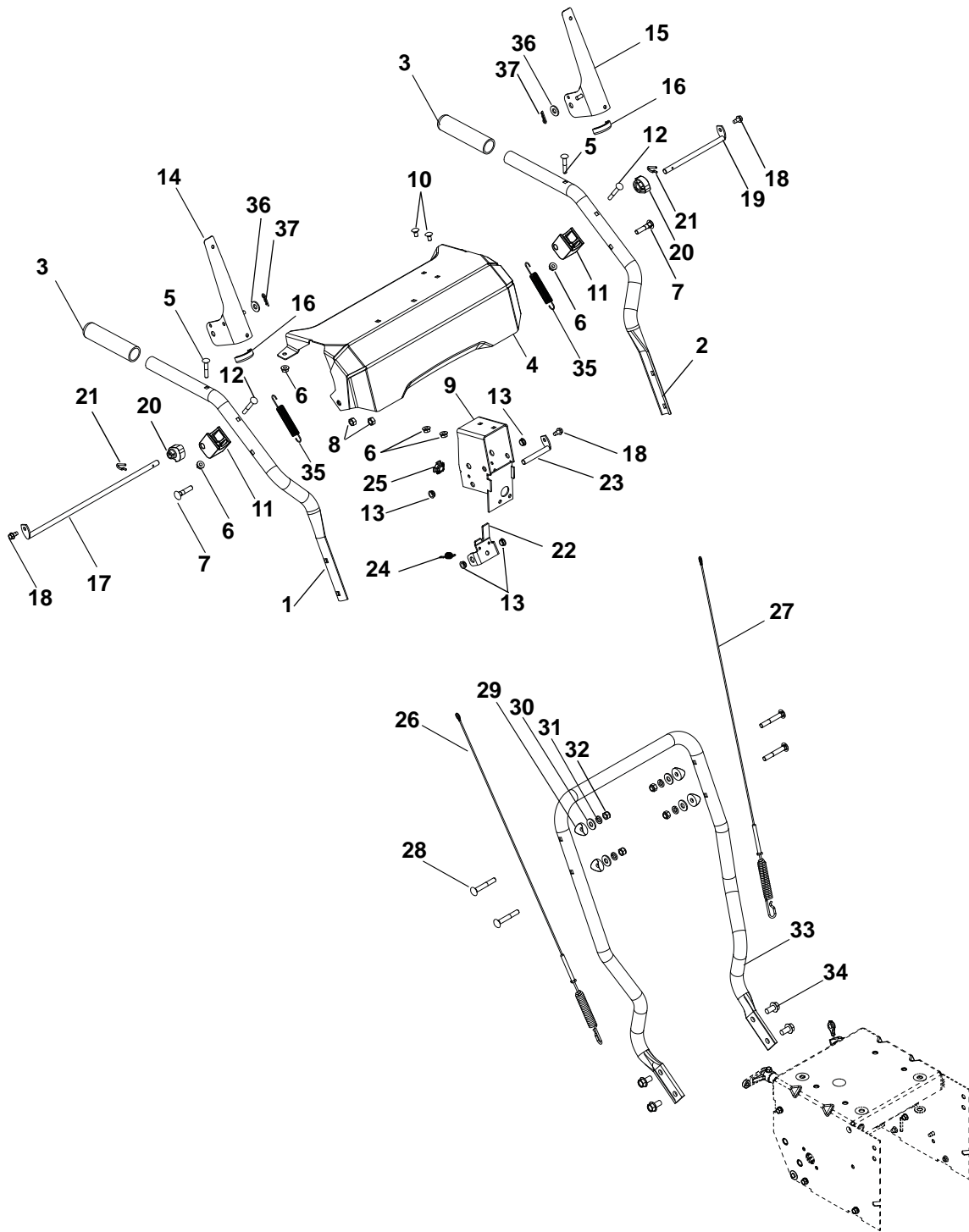
ENGINE AND BELT DRIVE

Model 939401, 302

Item	Part No.	Qty.	Description
1	03990451	1	Frame
2	06436200	3	Washer, Flat Steel .406 x .812 x .065
3	04499000	1	Transmission
4	05960900	3	Bolt, Hex .38-16 x 3.50
5	06542000	4	Nut, Locking Top Flange .38-16
6	07400010	4	Screw, Tapping Hex Washer Head Thread Rolling .38-16 x 1.00
7	00490851	1	Cover, Bottom
8	07400034	15	Screw, Tapping Hex Washer Head Thread Rolling .25-20 x .50
9	05900030	1	Bolt, Shoulder
10	00373051	1	Bracket, Cable Pulley
11	07000021	1	Bolt, Shoulder
12	06543500	1	Nut, Locking Top Flange .25-20
13	07300012	1	Pulley, Cable
14	00495251	1	Bracket, Brake Mount
15	05958500	1	Bolt, Hex .38-16 x 1.75
16	05500106	1	Bushing, Sleeve
17	05500028	2	Bushing, Polyliner
18	05500107	1	Bushing, Sleeve
19	04345700	1	Idler Arm
20	05500820	1	Bushing, Sleeve
21	05717600	1	Ring, Retaining External .250 x .010
22	08300015	1	Spring
23	52000500	1	Arm, Brake with Pad (Includes Items 24 and 25)
24	00180500	1	Pad, Brake (Included in Item 23)
25	06800028	2	Rivet, Pop .187 (Included in Item 23)
26	01987100	1	Arm, Clutch
27	06200008	1	Bolt, Round Head Square Short Neck .31-18 x 1.25
28	01213100	1	Spacer
29	02457400	1	Idler
30	06543100	1	Nut, Locking Top Flange .31-18
31	08300029	1	Spring
32	05501104	1	Bushing, Sleeve
33	06441100	1	Washer, Flat Steel .52 x .827 x .062
34	06400005	1	Washer, Wave
35	06530100	1	Nut, Spin Locking Flange .25-20
36	00497200	1	Cover, Belt
37	07400104	2	Screw, Tapping Large Hex Washer Head Thread Rolling .25-20 x .50
38	05500101	2	Bushing, Axle
39	04149800	1	Shaft, Axle
40	03268200	1	Gear
41	06444100	2	Washer, Flat Steel .754 x 1.000 x .032
42	07100222	2	Tire/Wheel, 4.10-4
	07100724	2	Tire, 4.10-4
	07100732	AR	Tube, 4.10-4
43	05953000	2	Bolt, Hex .25-20 x 1.75 Grade 8
44	06529700	3	Nut, Locking Center .25-20
45	06900503	1	Cable
46	08200818	1	Engine, LCT Stormforce 136, 120V (939401)
	08200739	1	Engine, LCT Stormforce 136, Recoil (939302)
47	04098200	1	Sheave, Drive
48	03776900	1	Sheave, Engine
49	07200109	1	V-Belt
50	07200108	1	V-Belt
51	02411000	1	Finger, Belt
52	06437200	2	Washer, Flat Steel .344 x .688 x .065
53	06307400	2	Washer, Locking .312 x .097
54	05947300	2	Bolt, Hex .31-24 x .75
55	00498300	1	Finger, Belt
56	05900034	1	Bolt, Hex .25-20 x 2.5 Grade 8
57	07500024	2	Plug, Hole
58	06308800	1	Washer, Locking .38 x .094
59	05960300	1	Bolt, Hex .38-24 x 1.00
60	21547400	1	Spark Plug
61	07500112	1	Fuel Cap
62	07500111	1	Key, Push/Pull LCT

HANDLEBARS AND CONTROLS

Model 939401, 302



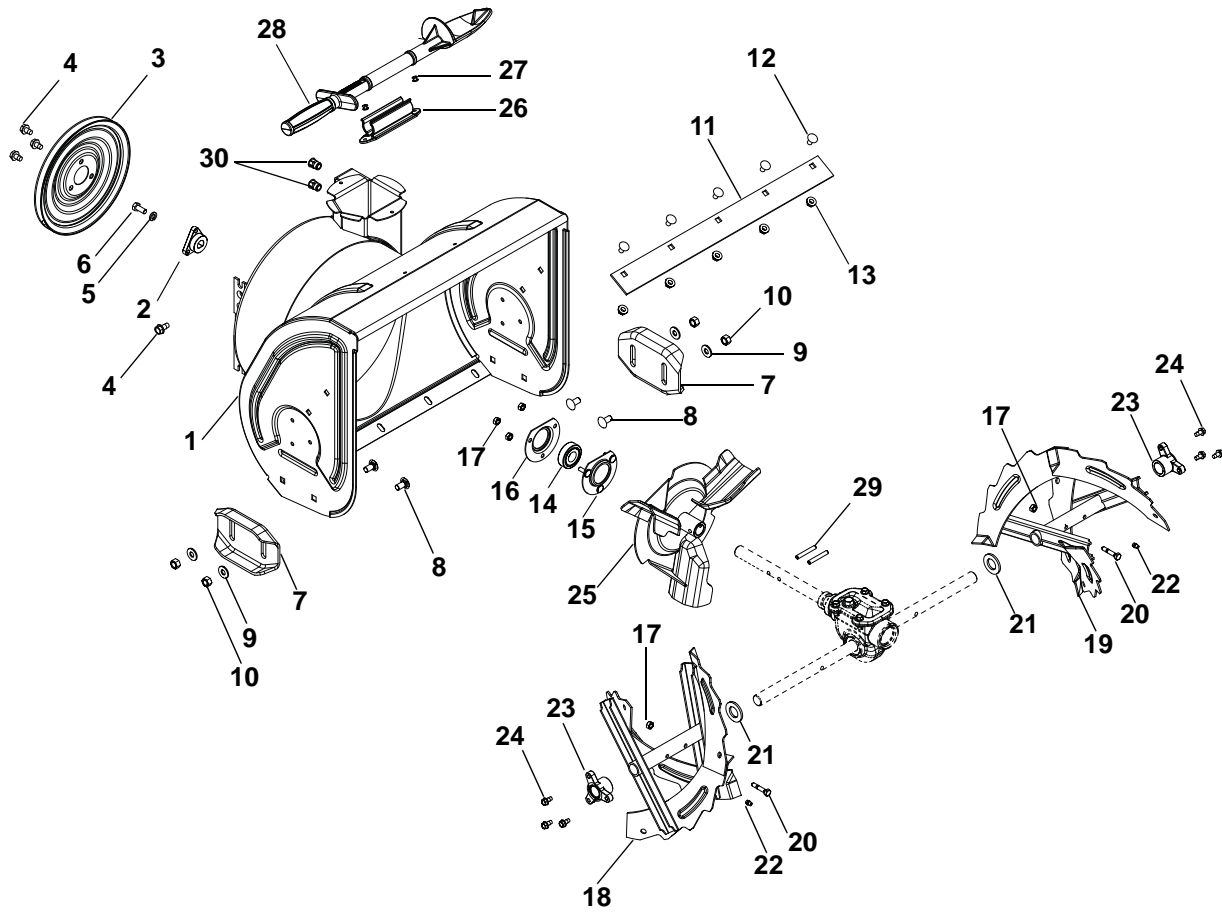
HANDLEBARS AND CONTROLS

Model 939401, 302

Item	Part No.	Qty.	Description
1	04318351	1	Handlebar, Upper Right
2	04318451	1	Handlebar, Upper Left
3	07518700	2	Handle Grip
4	53901100	1	Control Panel with Decal
5	06220100	2	Bolt, Round Head Extra Long Square Neck .25-20 x 1.25
6	06543500	6	Nut, Locking Top Flange .25-20
7	06200207	2	Bolt, Round Head Extra Long Square Neck .31-18 x 2.00
8	06529800	4	Nut, Locking Center .31-18
9	04316651	1	Bracket, Interlock
10	06220600	2	Bolt, Round Head Extra Long Square Neck .25-20 x .50
11	04310100	2	Clutch Paddle Block
12	06209300	2	Bolt, Round Head Extra Long Square Neck .25-20 x 2.00
13	05500020	4	Bushing, Polyliner
14	04310551	1	Clutch Handle, Right
15	04310451	1	Clutch Handle, Left
16	07500103	2	Edging, Clutch Handle
17	04321500	1	Rod, Paddle Mount, Long
18	07400034	3	Screw, Tapping Hex Washer Head Thread Rolling .25-20 x .50
19	04321600	1	Rod, Paddle Mount, Short
20	04322100	2	Cam, Interlock
21	06714500	2	Pin, Spring Clip
22	04320400	1	Interlock Arm
23	04320500	1	Rod, Pivot
24	08337000	1	Spring
25	04322700	1	Crank Bushing
26	06900440	1	Cable, Auger
27	06900501	1	Cable, Traction
28	06221600	4	Bolt, Round Head Square Neck .31-18 x 2.25
29	07500005	4	Spacer
30	06435700	4	Washer, Flat Steel .38 x .875 x .083
31	06307400	4	Washer, Locking .312 x .097
32	06530200	4	Nut, Locking Nylon .31-18
33	04321951	1	Handlebar, Lower
34	07028500	4	Bolt, Serrated Flange Hex Washer Head .38-16 x .75
35	08300527	2	Spring
36	06437300	2	Washer, Flat Steel .281 x .62 x .065
37	06701900	2	Pin, Hair Internal .06 x .18 x .77

AUGER AND IMPELLER

Model 939401, 302



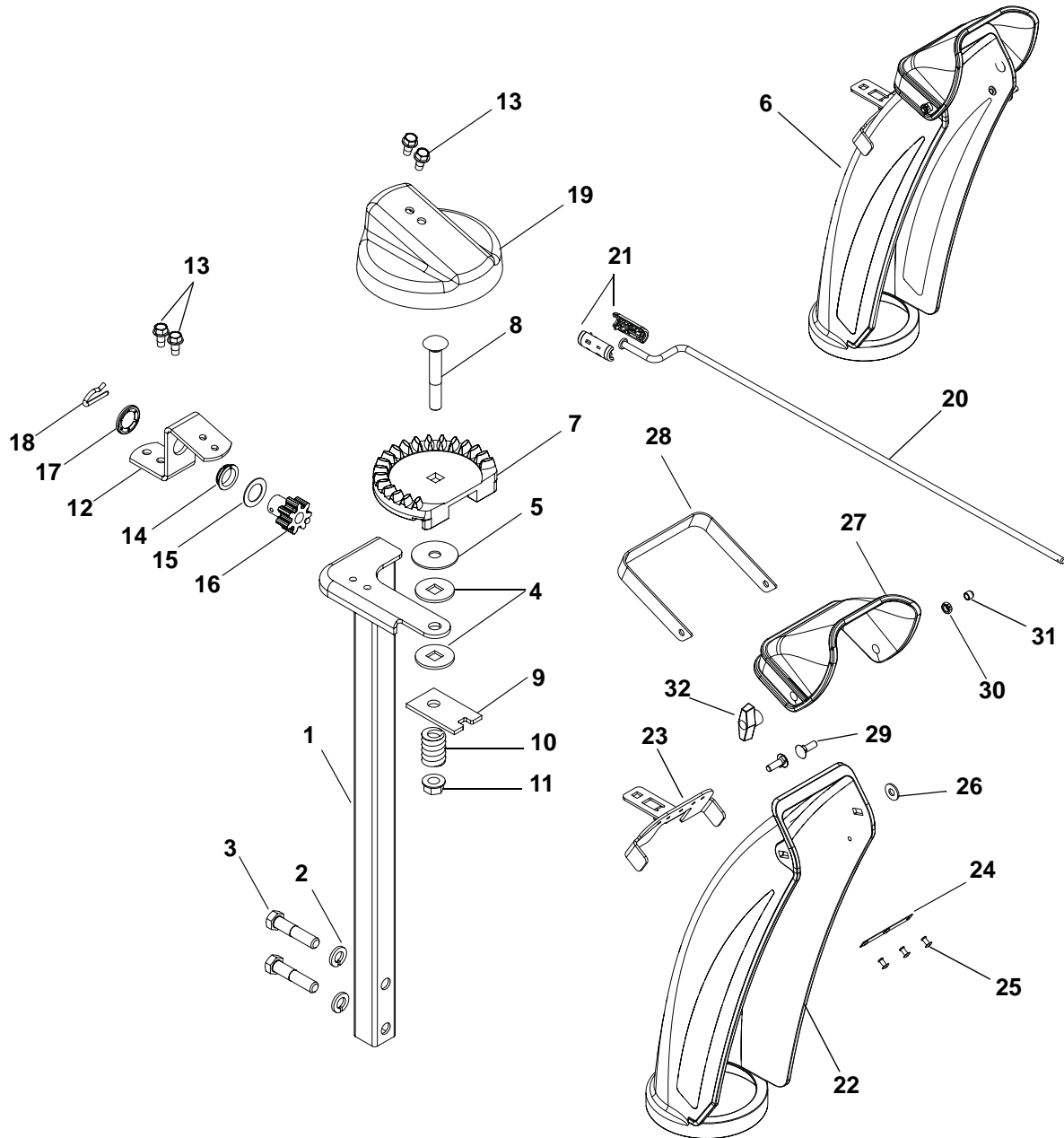
AUGER AND IMPELLER

Model 939401, 302

Item	Part No.	Qty.	Description
1	53900800	1	Housing, Blower 20"
2	04516500	1	Hub
3	00268900	1	Pulley
4	07411500	7	Screw, Tapping Hex Washer Head Thread Rolling .31-18 x .50
5	06307400	1	Washer, Locking .312 x .097
6	05947300	1	Bolt, Hex .31-24 x .75
7	02483851	2	Skid Shoe
8	06200004	4	Bolt, Round Head Square Short Neck .38-16 x .75
9	06435700	4	Washer, Flat Steel .38 x .875 x .083
10	06529600	4	Nut, Locking Center .38-16
11	00396651	1	Blade, Scraper, 20"
12	06200209	5	Bolt, Scraper Blade
13	06543100	5	Nut, Locking Top Flange .31-18
14	05406300	1	Bearing
15	00428700	1	Bearing Flange
16	01014200	1	Bearing Flange
17	06529700	5	Nut, Locking Center .25-20
18	53212300	1	Rake, Right Hand with Zerk 20"
19	53212400	1	Rake, Left Hand with Zerk 20"
20	53200500	2	Shear Bolt with Nut (Includes Item 17)
21	06439000	2	Washer, Flat Steel .812 x 1.50 x .135
22	07061300	2	Zerk, Fitting .25 x .125 Drive-In
23	05500918	2	Bushing
24	07400034	6	Screw, Tapping Hex Washer Head Thread Rolling .25-20 x .50
25	03835551	1	Impeller
26	00170300	1	Mount, Snow Clean Out
27	06800028	2	Rivet, Pop .187
28	00170200	1	Device, Snow Clean Out
29	05803700	2	Pin, Roll .25 x 1.75
30	07001612	2	Nut, Threaded Insert .38-16

DISCHARGE CHUTE

Model 939401, 302



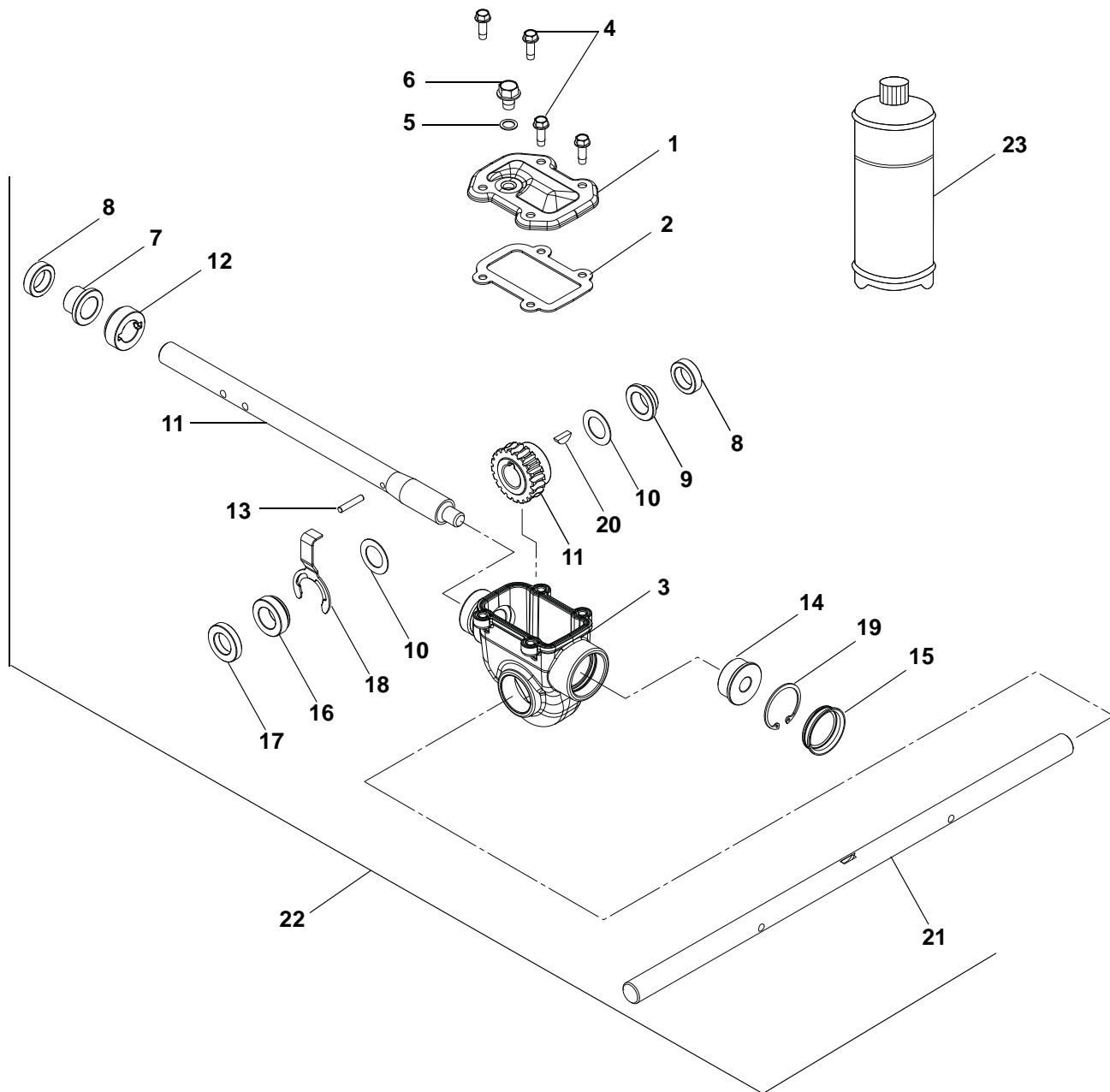
DISCHARGE CHUTE

Model 939401, 302

Item	Part No.	Qty.	Description
1	03883751	1	Pedestal, Chute
2	06308800	2	Washer, Locking .38 x .094
3	05958500	2	Bolt, Hex .38-16 x 1.75
4	01123800	2	Friction Washer
5	06400917	1	Washer, Flat Steel .406 x 1.25 x .10
6	52005600	1	Chute, Discharge with Cap and Decal (Includes Items 22 thru 32)
7	03222900	1	Chute Gear
8	06224400	1	Bolt, Round Head Square Neck .38-16 x 2.50
9	00398000	1	Plate, Friction
10	08320900	1	Spring
11	06542000	1	Nut, Locking Top Flange .38-16
12	01972451	1	Bracket, Pinion Gear
13	07400034	4	Screw, Tapping Hex Washer Head Thread Rolling .25-20 x .50
14	05500021	1	Bushing, Polyliner
15	06400009	1	Washer, Thrust .625 x 1.0 x .03
16	52000100	1	Pinion Gear Assembly (Includes Items 12, 14, 15 and 17)
17	03224300	1	Pushnut
18	06714500	1	Pin, Spring Clip
19	03223000	1	Gear Cover
20	04345300	1	Rod, Chute Crank
21	07500129	2	Knob, Chute Crank
22	04428600	1	Chute, Discharge
23	03884751	1	Bracket, Chute Mount
24	04440151	1	Plate, Backing
25	06800107	3	Rivet, Pop #66 Black
26	06435700	1	Washer, Flat Steel .380 x .875 x .83
27	04431900	1	Cap, Deflector
28	04443351	1	Handle, Cap
29	06200212	2	Bolt, Round Head Rectangular Short Neck .31-18 x 1.00
30	06500011	1	Nut, Center-Lock-Jam .31-18
31	07500230	1	Cap, End
32	07500228	1	Knob, Wing

GEAR CASE

Model 939401, 302



GEAR CASE

Model 939401, 302

Item	Part No.	Qty.	Description
1	04280251	1	Cover, Top
2	04282400	1	Gasket
3	04304600	1	Gear Case
4	07414200	4	Screw, Tapping Hex Washer Head Thread Rolling .25-20 x .75
5	06400920	1	Washer, Seal
6	07412900	1	Screw, Tapping Hex Washer Head Thread Rolling .38-16 x .50
7	05501020	1	Bushing, Flange
8	05600509	2	Seal, Oil
9	05501106	1	Bushing, Flange
10	06400912	2	Washer, Flat Steel .760 x 1.225 x .032
11	52003400	1	Worm Shaft and Worm Gear Set
12	04277000	1	Thrust Collar
13	05800207	1	Pin, Straight .188 x 1.00 6150
14	05501108	1	Bushing, Flange
15	04302800	1	Cover, Front
16	05501107	1	Bushing, Flange
17	05600508	1	Seal, Oil
18	04323600	1	Bushing Retainer
19	05700212	1	Ring, Retaining Internal 1.500 x .050
20	06609300	1	Key, Woodruff .19 x .63 Hardened #61
21	00260500	1	Shaft, Rake
22	53900900	1	Gear Case Assembly (Includes Items 1 – 21)
23	00068800	1	Gear Lube, 8 oz. Bottle



Ariens
655 West Ryan Street
Brillion, WI 54110
920-756-4688
Fax 920-756-2407
www.ariens.com

An *Ariens* Company Brand

Free Manuals Download Website

<http://myh66.com>

<http://usermanuals.us>

<http://www.somanuals.com>

<http://www.4manuals.cc>

<http://www.manual-lib.com>

<http://www.404manual.com>

<http://www.luxmanual.com>

<http://aubethermostatmanual.com>

Golf course search by state

<http://golfingnear.com>

Email search by domain

<http://emailbydomain.com>

Auto manuals search

<http://auto.somanuals.com>

TV manuals search

<http://tv.somanuals.com>