

SWISHER

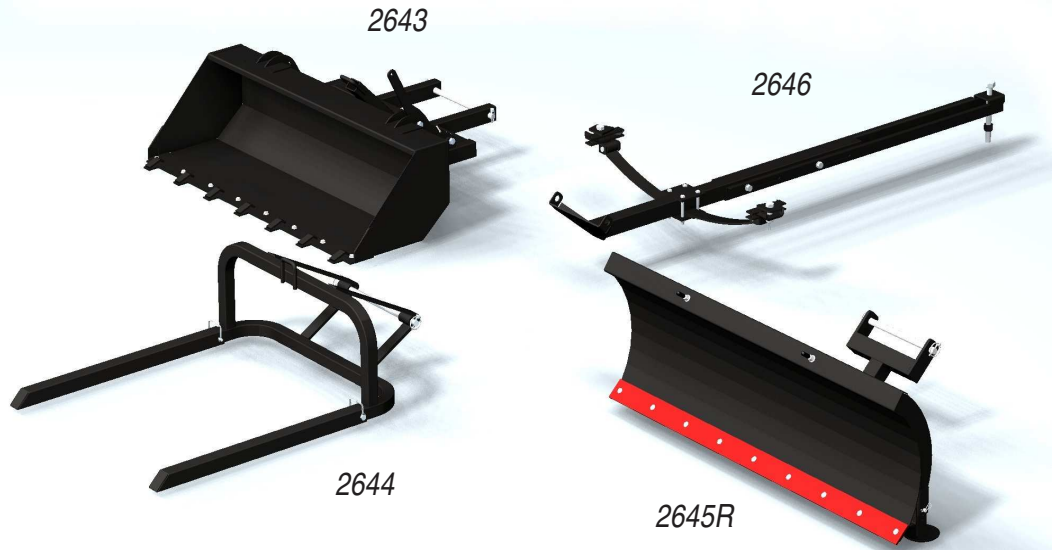
MANUFACTURING QUALITY LAWN CARE EQUIPMENT SINCE 1945

Owner's Manual

**Plow Blade
2645R**



IMPORTANT
*Read and follow all
Safety Precautions
and Instructions
Before Operating this
Equipment.*



ATV ACCESSORIES

Sold as Separate Pieces!!!!

**ASSEMBLY
OPERATION
SERVICE AND ADJUSTMENT
REPAIR PARTS**

Made In The
USA

1602 CORPORATE DRIVE WARRENSBURG, MISSOURI 64093
PH 660. 747. 8183 FAX 660. 747. 8650
swisherinc.com

LIMITED WARRANTY

The manufacturer's warranty to the original consumer purchaser is: This product is free from defects in materials and workmanship for a period of one (1) year from the date of purchase by the original consumer purchaser. We will repair or replace, at our discretion, parts found to be defective due to materials or workmanship. This warranty is subject to the following limitations and exclusions:

- 1) Commercial Use The warranty period for any product used for commercial or rental is limited to ninety (90) days from the date of original purchase.

- 2) Limitations This warranty applies only to products which have been properly assembled, adjusted, and operated in accordance with the instructions contained within this manual. This warranty does not apply to any product of Swisher, that has been subject to alteration, misuse, abuse, improper assembly or installation, or shipping damage.

- 3) Exclusions Excluded from this warranty are normal wear, normal adjustments, and normal maintenance.

In the event you have a claim under this warranty, you must return the product to an authorized service dealer. All transportation charges, damage, or loss incurred during transportation of parts submitted for replacement or repair under this warranty shall be borne by the purchaser. Should you have any questions concerning this warranty, please contact us toll-free at 1-800-222-8183. The model number, serial number, date of purchase, and the name of the authorized Swisher dealer from whom you purchased the product will be needed before any warranty claim can be processed.

THIS WARRANTY DOES NOT APPLY TO ANY INCIDENTAL OR CONSEQUENTIAL DAMAGES AND ANY IMPLIED WARRANTIES ARE LIMITED TO THE SAME TIME PERIODS STATED HEREIN FOR ALL EXPRESSED WARRANTIES.

Some states do not allow the limitation of consequential damages or limitations on how long an implied warranty may last, so the above limitations or exclusions may not apply to you. This warranty gives you specific legal rights and you may have other rights, which vary from state-to-state. This is a limited warranty as defined by the Magnuson-Moss Act of 1975.

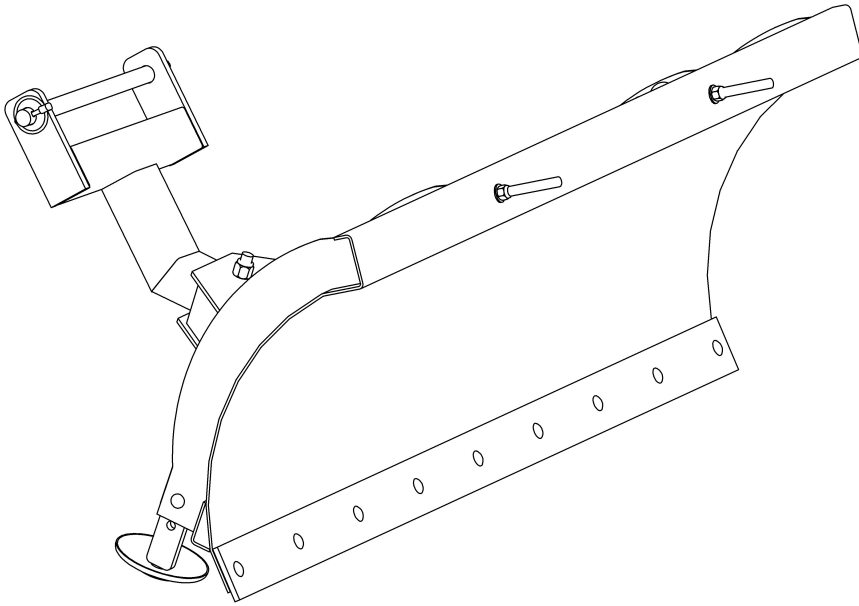
SAFETY PRECAUTIONS



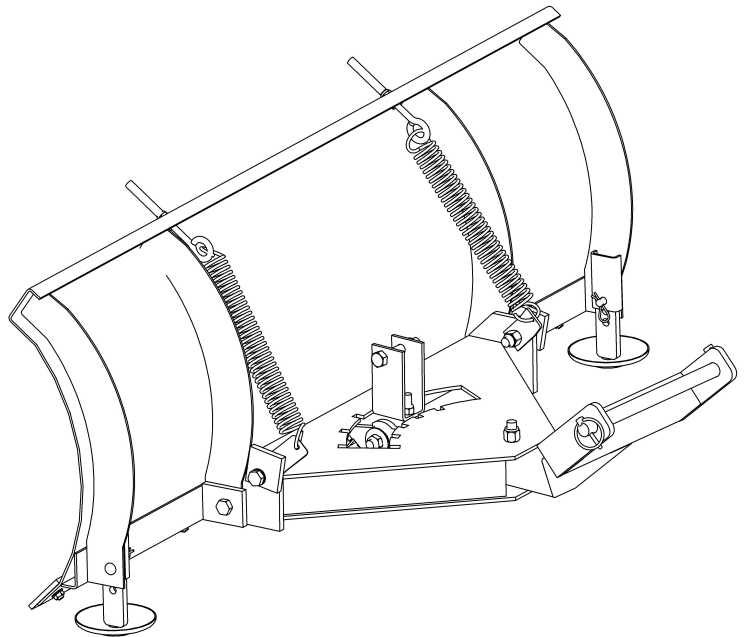
This Safety Alert Symbol indicates important messages in this manual. When you see this symbol, carefully read the message that follows and be alert to the possibility of personal injury.

Read this manual completely. Failure to observe the following safety instructions could result in serious injury or death.

- Read the manual. Learn to operate this machine safely.
- Keep the operating speed LOW!!!!
- Allow only responsible adults who are familiar with these instructions to operate this machine. Never allow children to operate this machine.
- Be sure the area is clear of other people before operating. Children are often attracted to the machine and the operating activity. *Never assume that children will remain where you last saw them.* Keep children under the watchful care of another responsible adult.
- Watch for traffic when operating near or crossing roadways.
- Do not operate the attachment if it has been dropped or damaged in any manner. Repair as necessary.
- Dress properly. Do not operate when barefoot or wearing open sandals.
- Do not operate the machine while under the influence of alcohol or drugs.
- Never tamper with safety devices. Check their proper operation regularly.
- Do not operate over 5 MPH (8KMH)
- Operate attachments up and down slopes. There is significant risk of overturns when operating across slopes.
- Stop and inspect the equipment if you strike an object. Repair, if necessary, before restarting.
- Never make adjustments or repairs with the engine running.



ASSEMBLY, INSTALLATION and PARTS LIST





TO ENSURE PROPER ASSEMBLY, CAREFULLY FOLLOW ALL INSTRUCTIONS LISTED BELOW

REFER TO FIGURES 1 AND 2 WHILE ASSEMBLING THIS PORTION OF THE PLOW ATTACHMENT

1. Unpack parts and make sure all are included. If they are not contact the dealer where the Swisher Plow was purchased.
2. Locate the pivot weldment (1) and assemble to the blade (2) using two ½-13 X 2" bolts (12) two ½-13 nyloc nuts (13) and two bushing (18) as shown. It is important to assure these two bushings are installed between the blade and pivot to allow for the correct rotation of the pivot.
3. Assemble the tilt blocks (3) to the pivot weldment using two ½-13 X 2" bolts (12) and two ½-13 nyloc nuts (13).
4. Assemble two 3/8-16 nuts (14) to two eye-bolts (6). Assemble the eye-bolts into the holes at the top of the blade. Secure with two 3/8 washers (15) two 3/8 -16 nuts (7). Place plastic caps (17) over the remaining threads of the eye-bolts.
5. Attach the tilt springs (16) to the eye-bolts and to the tabs on the pivot weldment (1). See Figure 1 below.
6. Connect the skids (5) through the channels on the outer edges of the blade. Adjust their height with clevis pin (10) and hair pin (11).

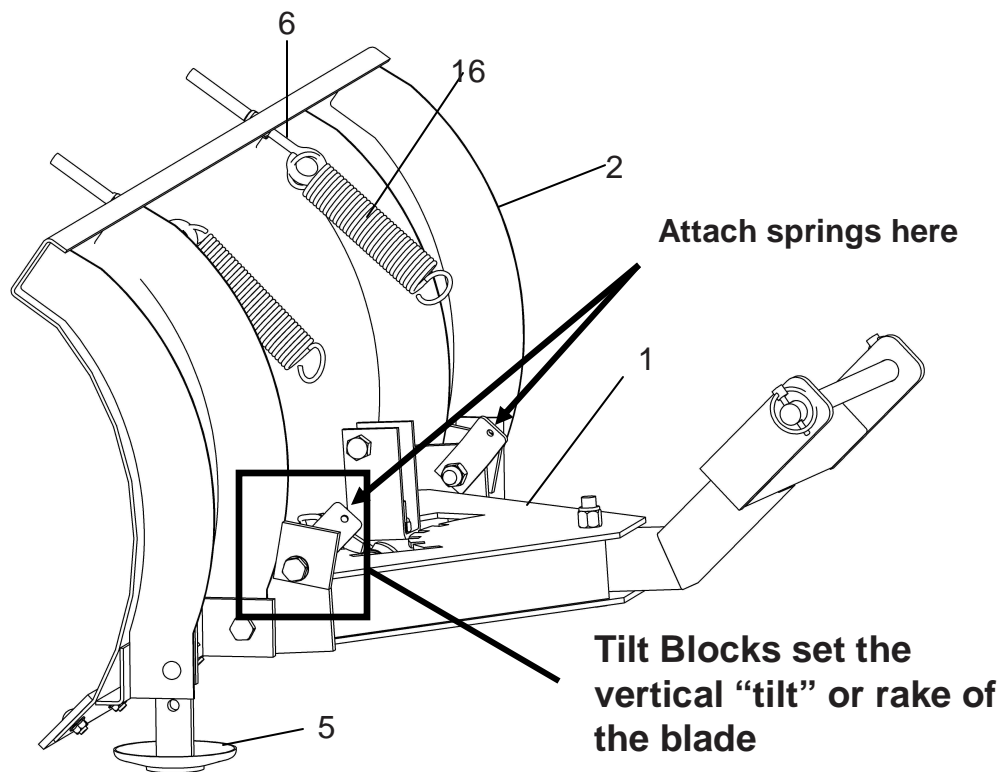
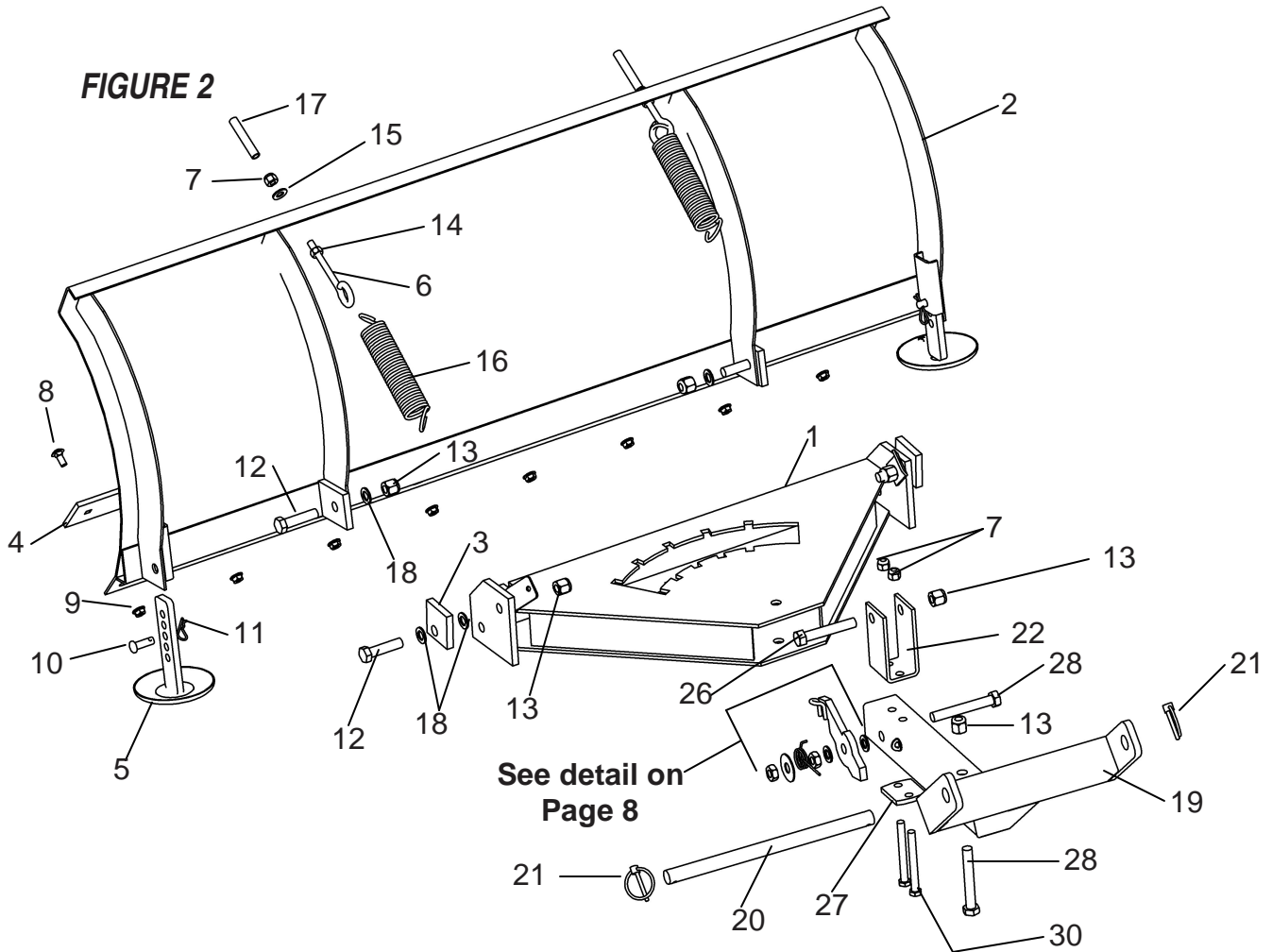


Figure 1

PLOW ATTACHMENT ASSEMBLY



ITEM NO.	QTY.	PART NO.	DESCRIPTION	ITEM NO.	QTY	PART NO.	DESCRIPTION
1	1	2323TK	Pivot Weldment	17	2	AS-125	Round Vinyl Cap
2	1	2150TK	50" Rolled Blade Weldment	18	8	NB-177	1/2 NR Mach. Bushing
3	2	2331TK	Tilt Block	19	1	2588TK	Plow Mount
4	1	2317TK	Cut Edge	20	1	2642TK	Plow Mount Pin
5	2	10068TK	Skid - Weldment Painted	21	2	NB-506	3/16 Click Pin
6	2	NB-635	3/8-16 X 3 Turned Eye Bolt	22	1	2327TK	Plow Mount Bracket
7	4	NB-182	3/8-16 Nyloc Nut	23	1	TR150W	Washer
8	9	10216	5/16-18 X 3/4 Carriage Bolt	24	1	2336	Pivot Spring
9	9	NB-170	5/16-18 Serrated Flange Nut	25	4	NB-121	1/2-13 2 Way Jam Lock Nut
10	2	NB-300	Clevis Pin Std ZP 3/8	26	1	NB-131	1/2-13 X 3 Hex Bolt
11	2	NB-127	#3 Hair Pin	27	1	2310TK	Plow Bracket Support
12	4	NB-509	1/2-13 X 2 Hex Bolt	28	2	NB-577	1/2-13 X 3 1/2 Hex Bolt
13	6	NB-281	1/2-13 Nyloc Nut	29	1	2319TK	Lock Arm
14	2	NB-212	3/8-16 Hex Nut	30	2	NB-649	3/8-16 X 3 1/2 Hex Bolt
15	2	NB-272	3/8 SAE Washer	31	1	H9B	Rope (Not Shown)
16	2	2335	Tilt Spring	32	1	H7K	Knob (Not Shown)



TO ENSURE PROPER ASSEMBLY AND INSTALLATION, CAREFULLY FOLLOW ALL INSTRUCTIONS LISTED BELOW

REFER TO FIGURES 2 AND 3 WHILE ASSEMBLING AND INSTALLING THIS PORTION OF THE PLOW ATTACHMENT

The next steps need to be done in sequence:

1. Disassemble Pivot Latch assembly from the plow mount. Lay parts down in the exact order they were removed. Replace lock nuts (25) with lock nuts in hardware kit.
2. Slide the plow mount (19) into pivot weldment (1), secure with $\frac{1}{2}$ -13 X 3 1/2 bolt (28) and $\frac{1}{2}$ -13 nyloc nut (13).
3. Re-assemble the Pivot Latch assembly in the reverse order that it was removed in step 1. The Pivot Latch assembly consists of the following components - lock arm (29), two bushing (18), two $\frac{1}{2}$ -13 lock nut (25), Washer (23), pivot spring (24) and $\frac{1}{2}$ -13 X 3 1/2 bolt (28) to plow mount (19). Make sure the tail of the pivot spring is secured into the bent washer on plow mount, see fig 3. Note, lock arm should be able to pivot freely after assembled.
4. Bolt plow mount bracket (22) and plow bracket support (27) to plow mount (19), as shown, using two 3/8-16 X 3 bolts (30) and two 3/8-16 nyloc nuts (7).
5. Insert $\frac{1}{2}$ -13 X 3 bolt (26) into plow mount bracket (22) and secure with $\frac{1}{2}$ -13 nyloc nut (13). Do not over tighten as this can bend the plow mount bracket. This is where you will attach your winch or manual lift pulley, sold separately.
6. With your Swisher ATV Accessory Mount already installed, attach the plow using plow mount pin (20) and two 3/16 click pins (21).
7. Attach red rope (31) to eyelet on lock arm (29) and loop over front of ATV so it can be reached by the operator.
8. Read Dangers on the back of the Swisher Plow and consult this manual.
9. It would be wise to become familiar with your plow using a slower speed.
10. Operating instructions are on page 9.

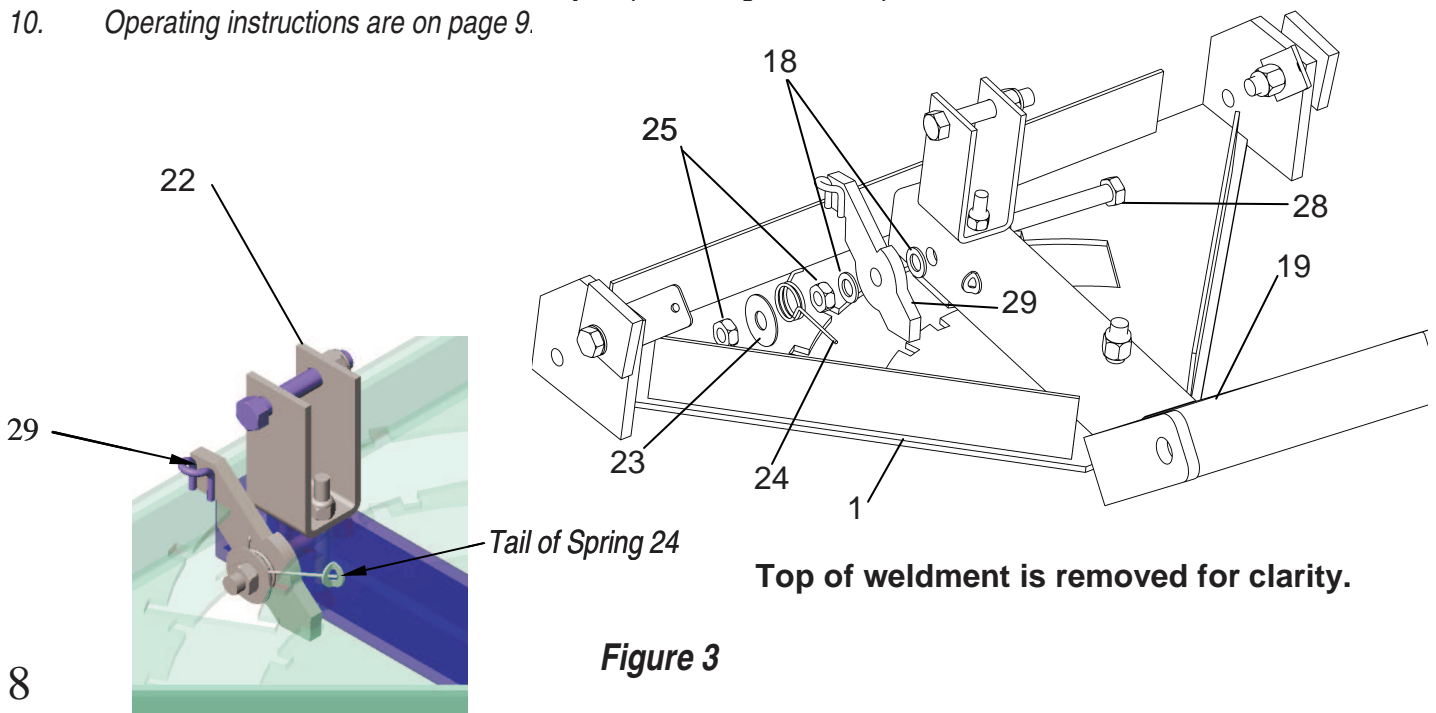


Figure 3



ADJUSTMENT AND OPERATION

PUSH YOUR PLOW AROUND!!

THE TENSION PLACED ON THE TILT SPRINGS DETERMINE THE AMOUNT OF PRESSURE THAT MUST BE APPLIED TO THE BLADE BEFORE IT FOLDS OVER IF SOMETHING IS HIT.

ADJUST THE SPRINGS BY LOOSENING THE NUTS (7) ON THE EYEBOLTS (6) AND ADJUSTING UNTIL THE BLADE DOES NOT FOLD OVER DURING NORMAL OPERATION BUT WILL FOLD IF AN OBJECT IS STRUCK.

AFTER INSTALLING YOUR PLOW, SECURE THE ROPE SO IT IS ACCESSABLE WHILE OPERATING THE ATV AND SECURELY HELD. THERE SHOULD BE A SMALL AMOUNT OF SLACK, IN THE ROPE, TO AVOID ACCIDENTAL RELEASE OF THE LOCK ARM OR TANGLING.

IF YOU NEED TO CHANGE THE BLADE ANGLE WHILE OPERATING, COME TO A STOP, PULL THE ROPE AND RELEASE THE LOCK ARM. DRIVE THE PLOW INTO A SNOW BANK AT AN ANGLE TO MOVE THE BLADE. WHEN THE PROPER ANGLE IS ACHIEVED RELEASE THE ROPE, LOCKING THE BLADE IN PLACE.



MANUFACTURING QUALITY LAWN CARE EQUIPMENT SINCE 1945

Owner's Manual

**Plow Blade
2645R**



IMPORTANT
Read and follow all
Safety Precautions
and Instructions
Before Operating this
Equipment.

ATV ACCESSORIES

**WHEN ORDERING PARTS, PLEASE HAVE THE
FOLLOWING INFORMATION AVAILABLE:**

- * **PRODUCT -** _____
- * **SERIAL NUMBER -** _____
- * **MODEL NUMBER -** _____
- TYPE -** _____
- * **PART NUMBER WITH PAINT CODE**
- * **PART DESCRIPTION**

TELEPHONE - 1-800-222-8183
FAX - 1-660-747-8650

SWISHER
1602 CORPORATE DRIVE
WARRENSBURG, MO 64093

swisherinc.com

Free Manuals Download Website

<http://myh66.com>

<http://usermanuals.us>

<http://www.somanuals.com>

<http://www.4manuals.cc>

<http://www.manual-lib.com>

<http://www.404manual.com>

<http://www.luxmanual.com>

<http://aubethermostatmanual.com>

Golf course search by state

<http://golfingnear.com>

Email search by domain

<http://emailbydomain.com>

Auto manuals search

<http://auto.somanuals.com>

TV manuals search

<http://tv.somanuals.com>