

Robert Bosch Power Tools GmbH
70538 Stuttgart
GERMANY

www.bosch-pt.com

F 016 L81 779 (2018.02) 0 / 17



F 016 L81 779

GlassVAC



en Original instructions



2 | English








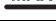

English

Safety Notes

WARNING! Read all safety warnings and all instructions. Failure to follow the warnings and instructions may result in injury.

Symbols

The following symbols are important for reading and understanding the operating instructions. Please take note of the symbols and their meaning. The correct interpretation of the symbols will help you to use the machine in a better and safer manner.

| Symbol | Meaning |
|---|------------------------------|
|  | General hazard safety alert. |
|  | Read instruction manual. |
|  | Reaction direction |
|  | Movement direction |
|  | Switching On |
|  | Switching Off |
|  | Audible noise |
|  | Maximum filling height |
|  | Accessories |

Operation

▶ The operator must use the machine in accordance with the regulations. He/she must take local conditions into account and be aware of other people, especially children, when operating the machine.

- ▶ Particular care must be taken when using the machine at height, use wrist strap provided for your convenience.
- ▶ Do not lean out of the window when using the machine.
- ▶ Never allow children, persons with physical, sensory or mental limitations or a lack of experience and/or knowledge and/or people unfamiliar with these instructions to use the machine. Local regulations may restrict the age of the operator.
- ▶ Children should be supervised to ensure that they do not play with the machine.
- ▶ The operator is responsible for persons in the working area.

Use

- ▶ Do not direct the spray from applicator against persons or animals nearby.
- ▶ Do not direct the spray from applicator against electrical devices.
- ▶ Do not insert objects into the vacuum aperture.
- ▶ If there is any possibility that the machine or detergents could harm or discolour a surface, it is recommended that compatibility be tested in an inconspicuous area before use.
- ▶ Do not use undiluted acids, acetone or solvents.
- ▶ Do not use flammable liquids.
- ▶ Do not use boiling or hot water to clean surfaces. Danger of scalding.
- ▶ Do not use hot or boiling water in the machine or spray applicator.

- ▶ Do not use hot or boiling water to clean the machine.
- ▶ The machine contains electrical components; do not submerge into water.
- ▶ Do not touch or insert conductive objects (such as screwdrivers or similar) into the charge socket.
- ▶ **Do not make any changes or modifications to the machine.** Unauthorised modifications can impair the safety of your machine, lead to increased noise and vibrations, and poor performance.
- ▶ **Charge the battery only with the supplied charger.**
- ▶ **The appliance contains batteries that are non-replaceable.**
- ▶ **Keep the charger clean.** Contamination can lead to danger of an electric shock.
- ▶ **Before each use check the charger and USB cable. If damage is detected, do not use the charger. Never open the charger yourself. All repairs must be performed by a Bosch Service Centre.** Damaged chargers and USB cables increase the risk of an electric shock.
- ▶ **Do not operate the charger on flammable surfaces (e. g., paper, textiles, etc.) or surroundings.** The heating of the charger during the charging process can pose a fire hazard.
- ▶ **Damage to the machine may cause vapours to be emitted. Ventilate the area and seek medical help in case of discomfort.** The vapours can irritate the respiratory system.

Intended Use

The spray applicator is intended for domestic use to remove dirt from smooth, non-porous surfaces such as glass, mirrors and tiles.

The machine is intended for domestic use to vacuum liquids from smooth, non-porous surfaces such as glass, mirrors and tiles. It is not suitable for vacuuming dust!

The surfaces can be vertical, angled or horizontal.

Use detergents designed for window vacuum machines; for best results, use Bosch glass detergent.

Safety Warnings for Battery Chargers



Read all safety warnings and all instructions. Failure to follow the warn-

ings and instructions may result in electric shock, fire and/or serious injury.

Keep these original instructions for future reference.

- ▶ Never allow children, persons with physical, sensory or mental limitations or a lack of experience and/or knowledge and/or people unfamiliar with these instructions to use the machine. Local regulations may restrict the age of the operator.
- ▶ **Supervise children.** This will ensure that children do not play with the charger.
- ▶ **Keep the charger away from rain or moisture.** Penetration of water in the charger increases the risk of an electric shock.

Delivery Scope (see figure B)

Carefully remove the machine from its packaging and check if the following parts are included:

- Window vacuum
- Cleaning head 266 mm
- Cleaning head 133 mm
- Spray applicator assembly 110 mm
- Spray applicator bottle 300 ml
- Spray applicator head 276 mm
- Microfiber cloth 276 mm
- Microfiber cloth 110 mm
- Wrist strap
- Micro USB cable
- Battery Charger**
- Original instructions

When parts are missing or damaged, please contact your dealer.

** country specific

4 | English

Product Features (see figures A and C)

The numbering of the components shown refers to the representation of the machine on the graphic pages.

- 1 Replaceable wiper blade 266 mm
- 2 Cleaning head 266 mm
- 3 Cleaning head release button
- 4 Battery charger level indicator
- 5 On/Off switch
- 6 Cover, micro USB port
- 7 Dirty water tank
- 8 Drain plug to empty dirty water tank
- 9 Spray applicator bottle
- 10 Trigger
- 11 Spray nozzle
- 12 Spray applicator head 110 mm
- 13 Spray applicator head 276 mm
- 14 Microfiber cloth 110 mm
- 15 Microfiber cloth 276 mm
- 16 Wrist strap interface
- 17 Micro USB cable
- 18 Charger**
- 19 Wrist strap
- 20 Micro USB port
- 21 Replaceable wiper blade 133 mm
- 22 Cleaning head 133 mm

Accessories shown or described are not part of the standard delivery scope of the product. A complete overview of accessories can be found in our accessories program.

** country specific

Technical Data

| Cordless Window Vacuum | | GlassVAC |
|--|----|---------------|
| Article number | | 3 600 HB7 0.. |
| Rated voltage | V= | 3.6 |
| Rated capacity | W | 15 |
| Protection class | | IPX4 |
| Weight according to EPTA-Procedure 01:2014 | kg | 0.7 |
| Permitted ambient temperature | | |
| – during charging and operation* | °C | -5... +62 |
| – during storage | °C | +3...+43 |

** country specific

| Cordless Window Vacuum | | GlassVAC |
|--|-------|---------------|
| Battery | | Li-Ion |
| Rated voltage | V= | 3.6 |
| Capacity | Ah | 2.0 |
| Number of battery cells | | 1 |
| Battery Charger | | |
| Article number | | |
| 2 609 ... | EU | ... 120 713 |
| | UK | ... 120 718 |
| | AU/NZ | ... 120 717 |
| | KO | ... 120 716 |
| Charging current | A | 1.0 |
| Charging period (battery discharged) | min | 180 |
| Weight according to EPTA-Procedure 01:2014 | kg | 0.30 ** |
| Protection class | | □ / II |

** country specific

Mounting and Operation

| Action | Figure | Page |
|---------------------------------------|------------|-------|
| Product features | A | 7 |
| Delivery scope | B | 8 |
| Charging the battery pack | C | 9 |
| Connect/disconnect the cleaning head | D | 9 |
| Filling the spray applicator | E | 10 |
| Connecting the spray applicator head | | |
| Attaching the microfiber cloth 110 mm | F | 10 |
| Connect the applicator head 276 mm | G | 11 |
| Attaching the microfiber cloth 276 mm | | |
| Disconnect spray applicator head | | |
| Using | H-I | 12-14 |
| Empty the dirty water tank | I | 14 |
| Cleaning the machine | J-K | 14-15 |
| Detach the microfiber cloth 110 mm | L | 16 |
| Cleaning microfiber cloth | | |
| Accessories | M | 16 |

Initial Operation

► **Observe the mains voltage!** The voltage of the power source must correspond with the data on the type plate of the battery charger.

Note: The battery supplied is partially charged. To ensure full capacity of the battery, completely charge the battery using the charger before using your machine for the first time.

The lithium-ion battery can be charged at any time without reducing its service life. Interrupting the charging procedure does not damage the battery.

The battery is protected against deep discharging.

When the battery is discharged, the machine will stop.

Battery Charging (see figures A and C)

Note: The micro-USB port **20** for connection of the micro-USB cable **17** is in the handle.

When the battery charge is low, the charger level indicator **4** flashes green.

When the charger level indicator **4** flashes red the battery must be charged. Turn machine off and charge the battery.

Connect the machine to the charger **18** using the micro USB cable **17** provided. Plug the charger **18** into the socket. The charging process begins.

During the charging procedure, the handle of the machine warms up. This is normal.

The charger level indicator **4** continuously lights up red during the charging procedure. When the battery is fully charged, the charger level indicator **4** **continuously lights up green.**

Disconnect the charger from the mains supply when charging process ends.

Observe the notes for disposal.

Troubleshooting

| Problem | Possible Cause | Corrective Action |
|----------------------------|--|---|
| Machine will not switch on | Battery discharged | Recharge battery |
| | Battery too hot/cold | Allow to cool/warm |
| Restricted or no vacuum | Cleaning head blocked | Unblock cleaning head |
| | Drain plug remove | Replace drain plug |
| Machine turns itself off | Battery too hot/cold | Allow to cool/warm |
| | Cleaning head blocked | Unblock cleaning head |
| Water leaks from machine | Spray applicator not mounted correctly | Mount the spray applicator correctly |
| Battery will not charge | Charger not connected correctly | Check charger and USB cable connections |
| | Battery too hot/cold | Allow to cool/warm |
| Streaking on windows | Wiper blade damaged | Replace wiper blade (accessory) |
| | Too much force applied | Apply reduced force |
| | Too little force applied | Apply more force |

Maintenance and Cleaning (see figure J – K)

Always clean the product thoroughly after use.

Remove the cleaning head from the main body and rinse.

Whilst cleaning head **2** is removed from the machine, fill the dirty water tank **7** via the cleaning head aperture to the max line with clean, warm water. DO NOT fill the dirty water tank **7** via the drain hole. Shake the machine and pour the water out via the drain plug **8**.

Maintenance of the cleaning head

Protect the cleaning heads against damage during storage.

Prevent the wiper blade from touching paper or cardboard, as this could damage the wiper blades polymer coating.

Spots or lines may be visible on the polymer coating. This is normal and does not affect the cleaning performance.

After-sales Service and Application Service

www.bosch-pt.com

In all correspondence and spare parts orders, please always include the 10-digit article number given on the type plate of the garden product.

Great Britain

Robert Bosch Ltd. (B.S.C.)

P.O. Box 98

Broadwater Park

North Orbital Road

Denham

Uxbridge

UB 9 5HJ

At www.bosch-pt.co.uk you can order spare parts or arrange the collection of a product in need of servicing or repair.

Tel. Service: (0344) 7360109

E-Mail: boschservicecentre@bosch.com

6 | English

Ireland

Origo Ltd.
Unit 23 Magna Drive
Magna Business Park
City West
Dublin 24
Tel. Service: (01) 4666700
Fax: (01) 4666888

Australia, New Zealand and Pacific Islands

Robert Bosch Australia Pty. Ltd.
Power Tools
Locked Bag 66
Clayton South VIC 3169
Customer Contact Center
Inside Australia:
Phone: (01300) 307044
Fax: (01300) 307045

Inside New Zealand:
Phone: (0800) 543353
Fax: (0800) 428570

Outside AU and NZ:
Phone: +61 3 95415555
www.bosch-pt.com.au
www.bosch-pt.co.nz

Republic of South Africa

Customer service
Hotline: (011) 6519600

Gauteng – BSC Service Centre

35 Roper Street, New Centre
Johannesburg
Tel.: (011) 4939375
Fax: (011) 4930126
E-Mail: bsctools@icon.co.za

KZN – BSC Service Centre

Unit E, Almar Centre
143 Crompton Street
Pinetown
Tel.: (031) 7012120
Fax: (031) 7012446
E-Mail: bsc.dur@za.bosch.com

Western Cape – BSC Service Centre

Democracy Way, Prosperity Park
Milnerton
Tel.: (021) 5512577
Fax: (021) 5513223
E-Mail: bsc@zsd.co.za

Bosch Headquarters

Midrand, Gauteng
Tel.: (011) 6519600
Fax: (011) 6519880
E-Mail: rbsa-hq.pts@za.bosch.com

Transport

The contained lithium-ion batteries are subject to the Dangerous Goods Legislation requirements. The user can transport the batteries by road without further requirements.

When being transported by third parties (e. g.: air transport or forwarding agency), special requirements on packaging and labelling must be observed. For preparation of the item being shipped, consulting an expert for hazardous material is required.

Disposal

The machine, accessories and packaging should be sorted for environmental-friendly recycling.



Do not dispose of the machine into household waste!

Only for EC countries:

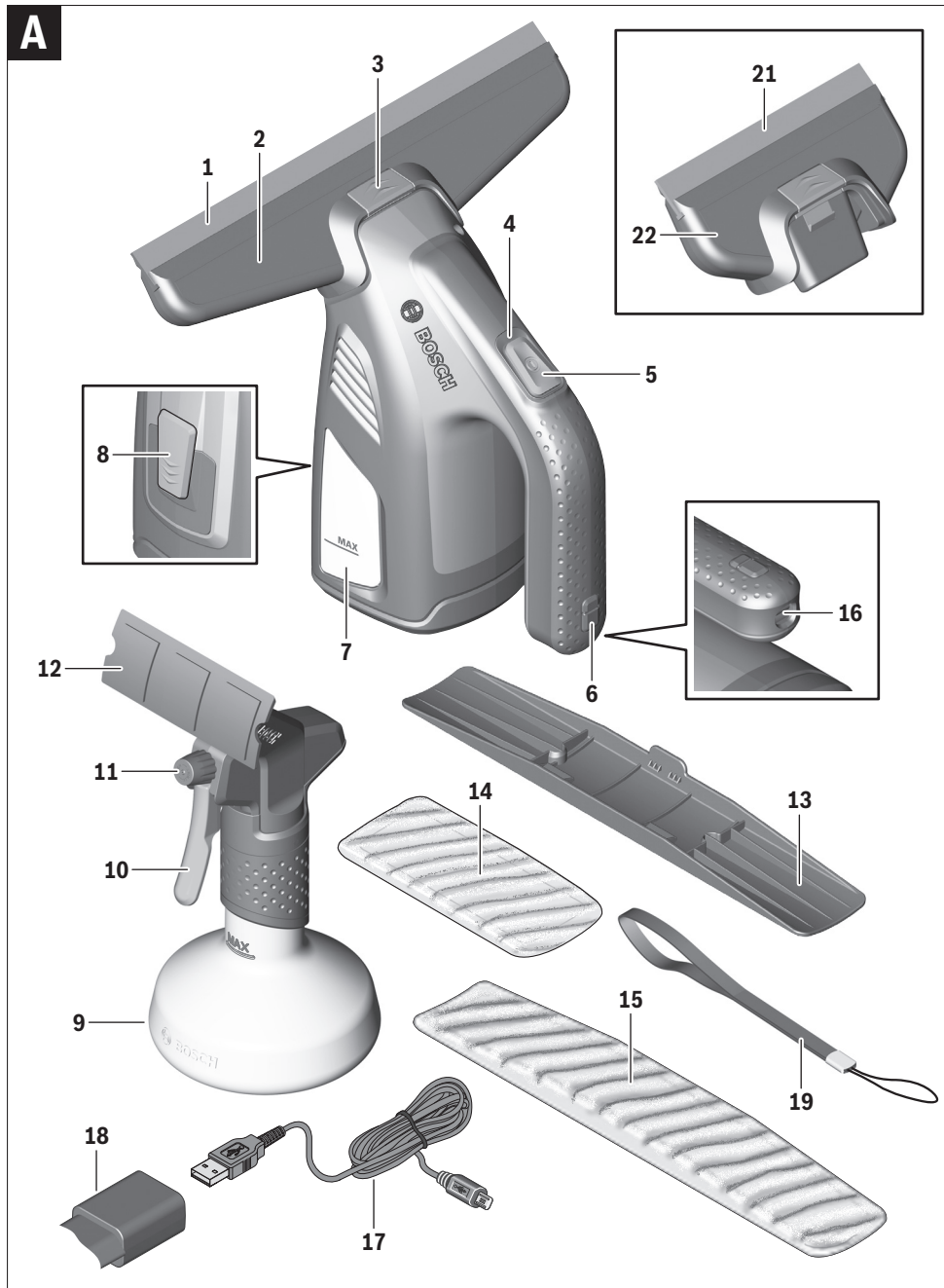
According to the European Guideline 2012/19/EU, machine that are no longer usable, and according to the European Guideline 2006/66/EC, defective or used battery packs/batteries, must be collected separately and disposed of in an environmentally correct manner.

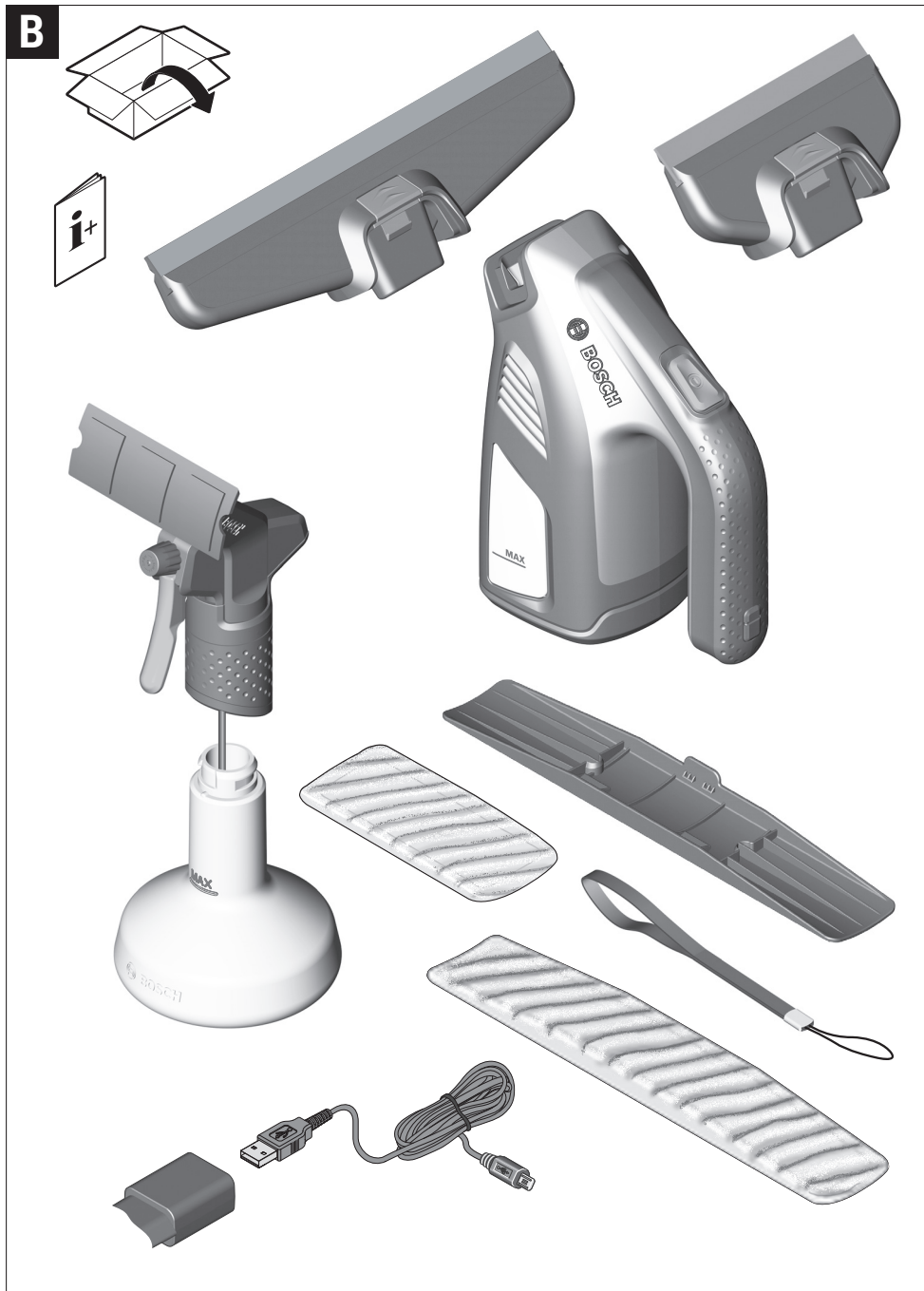
Battery packs/batteries:

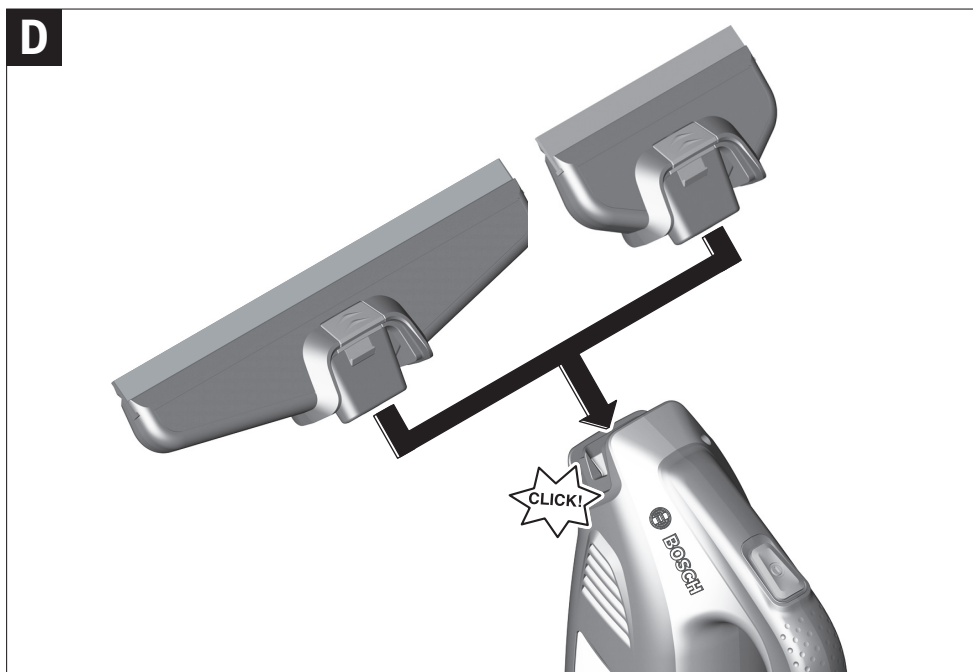
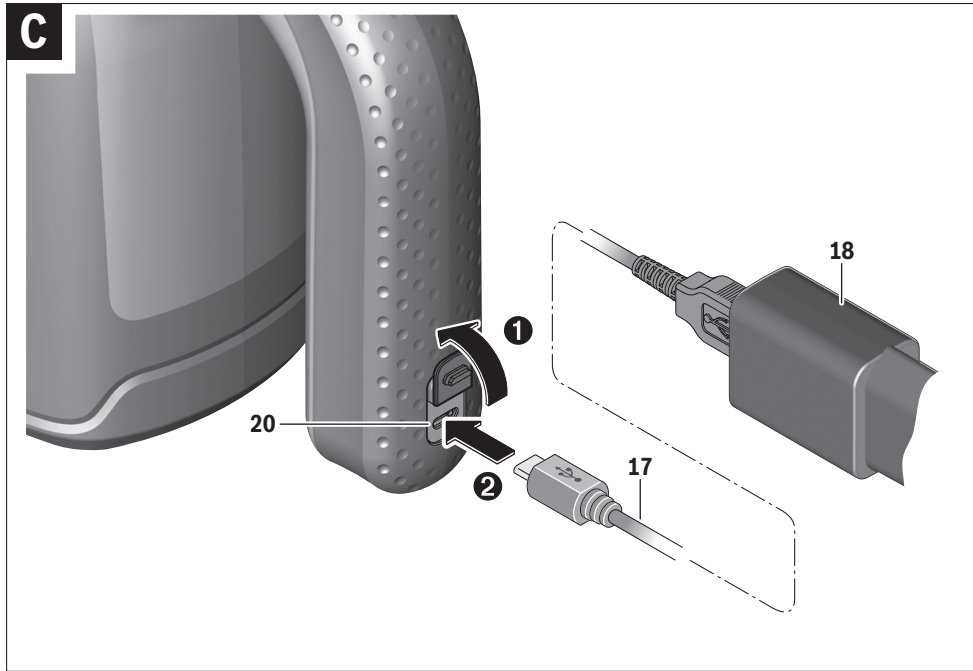
► **Integrated batteries may only be removed for disposal by qualified personnel.** Opening the housing shell can damage or destroy the machine.

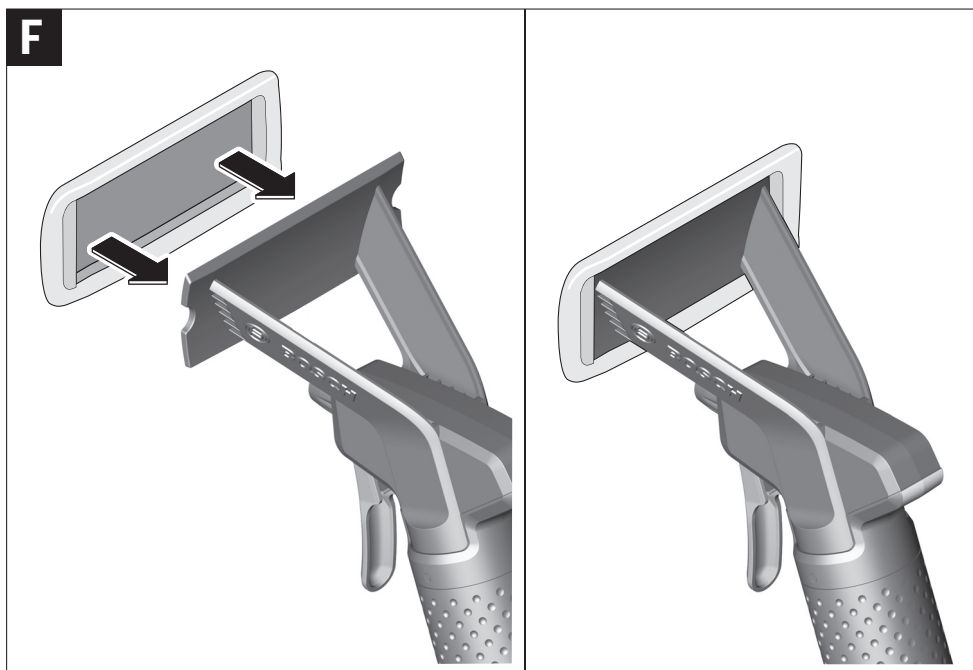
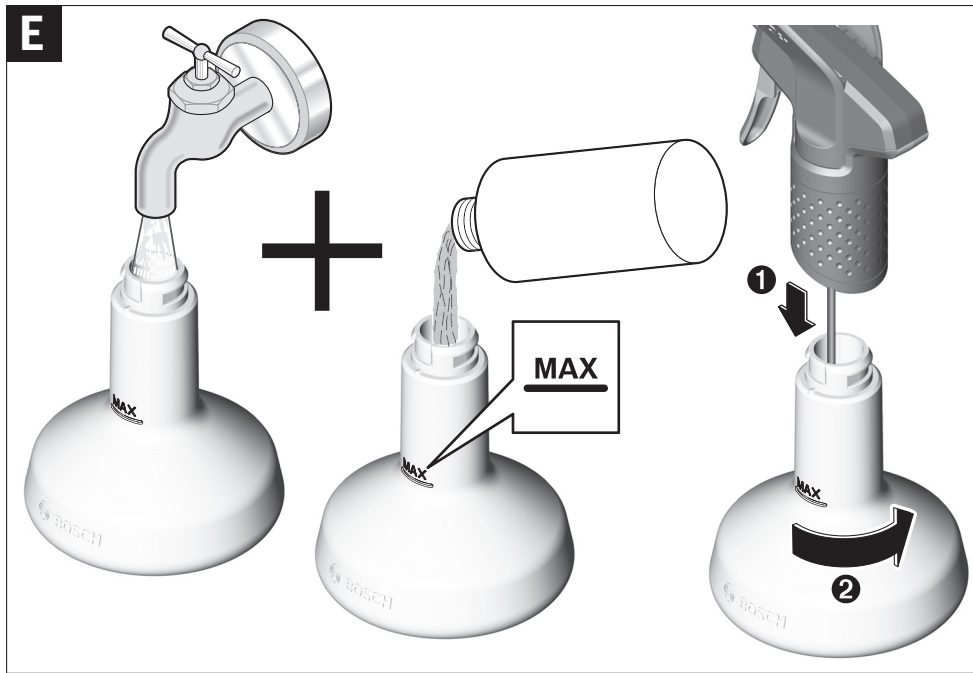
Do not dispose of battery packs/batteries into household waste, fire or water. Battery packs/batteries should, if possible, be discharged, collected, recycled or disposed of in an environmental-friendly manner.

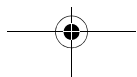
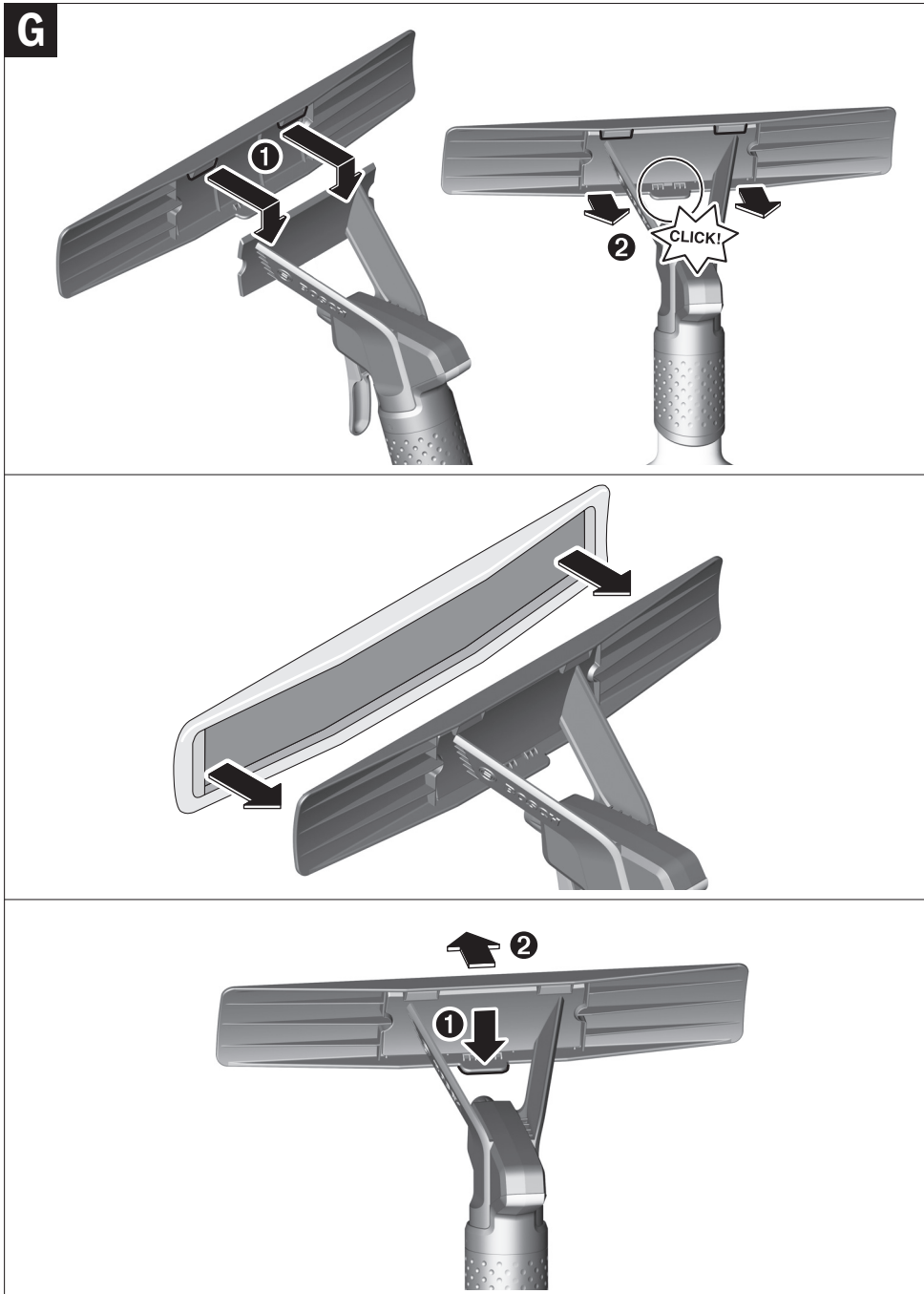
Subject to change without notice.

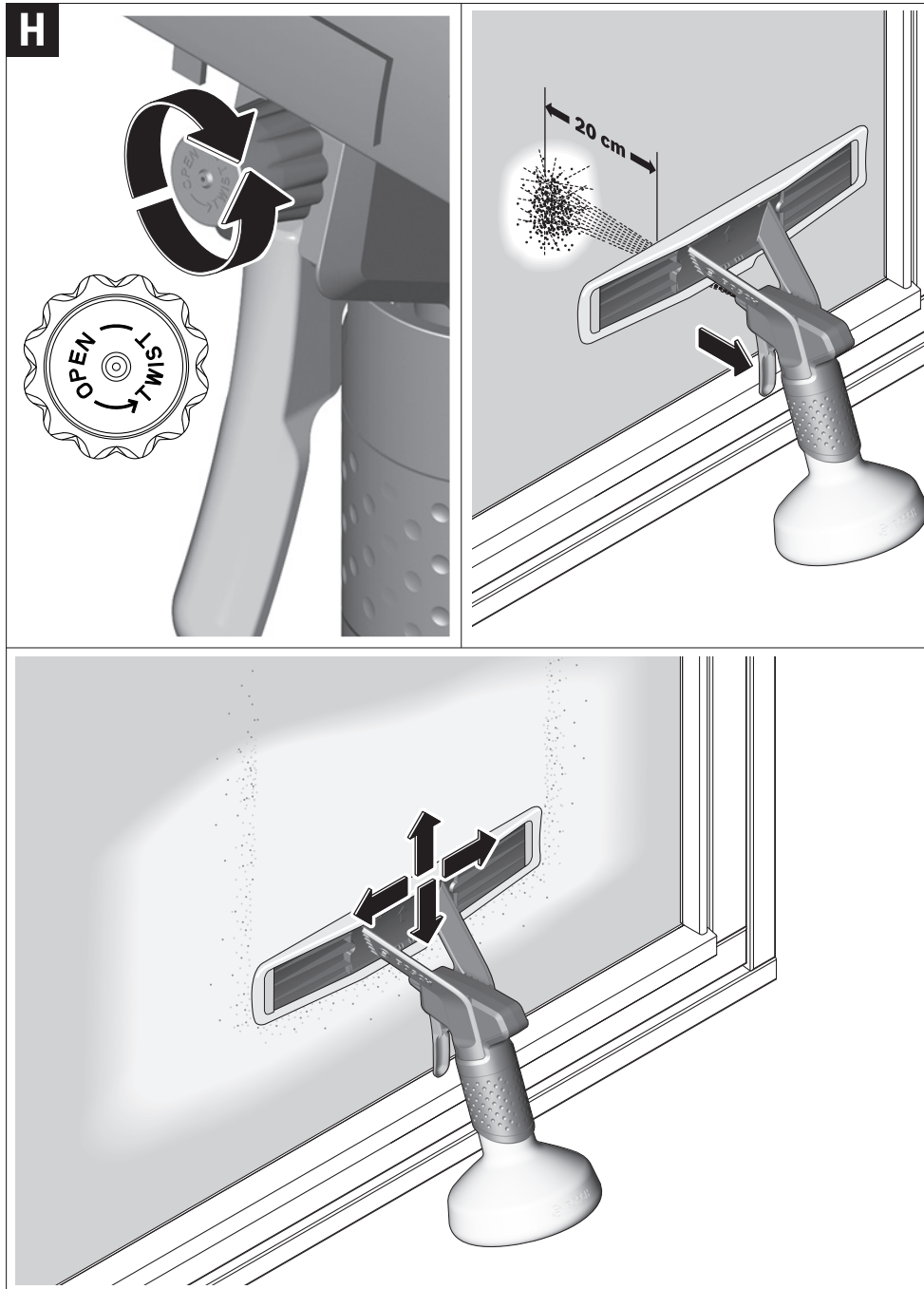


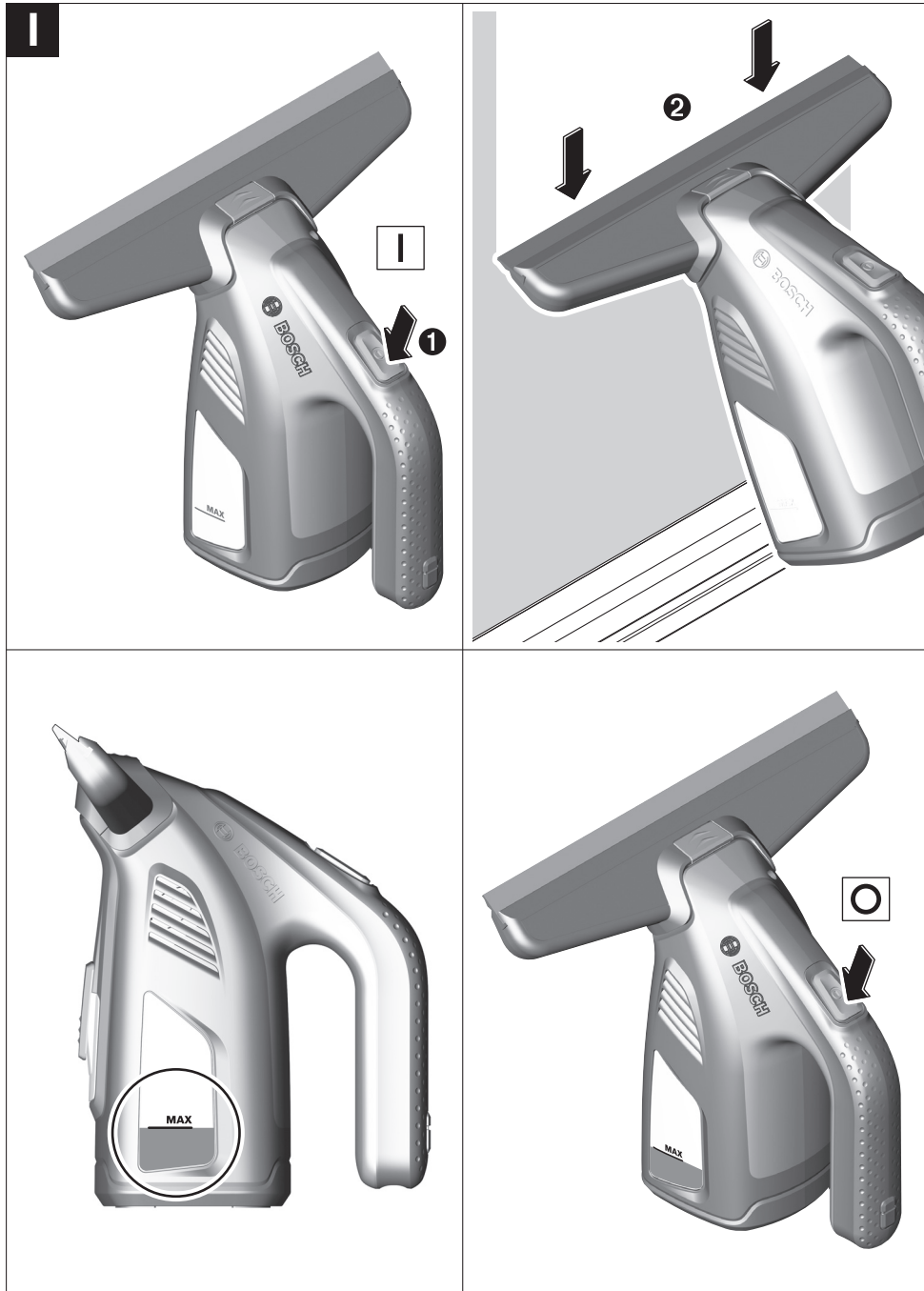






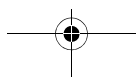
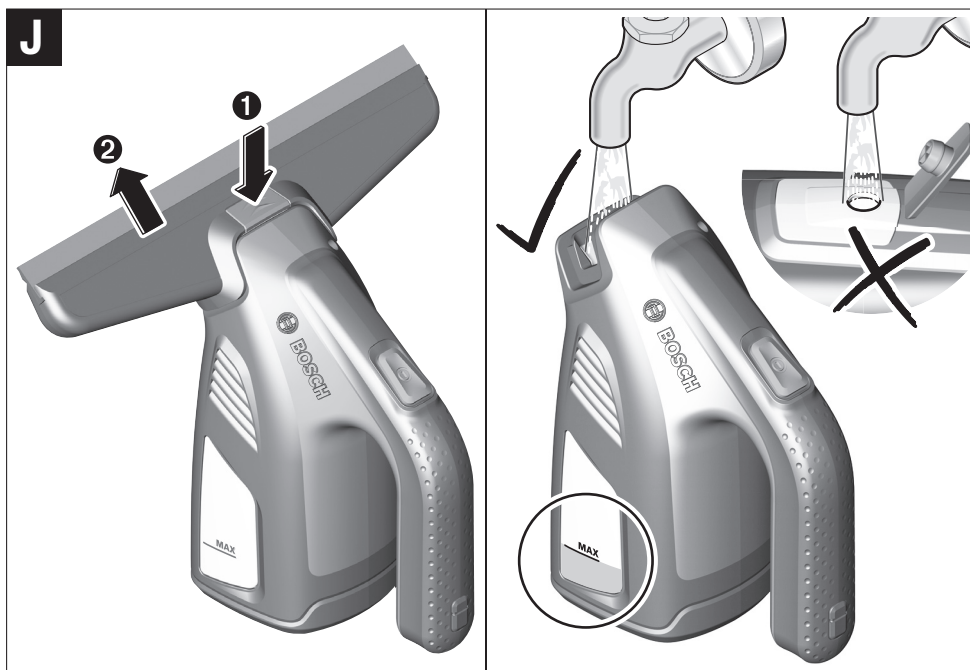
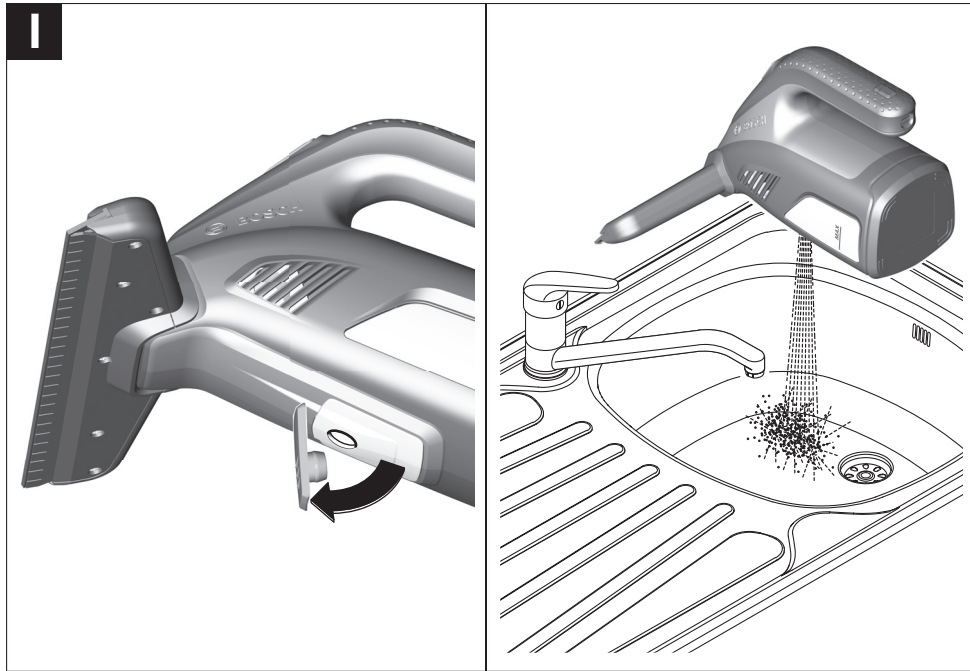


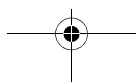
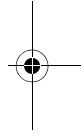
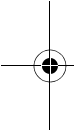
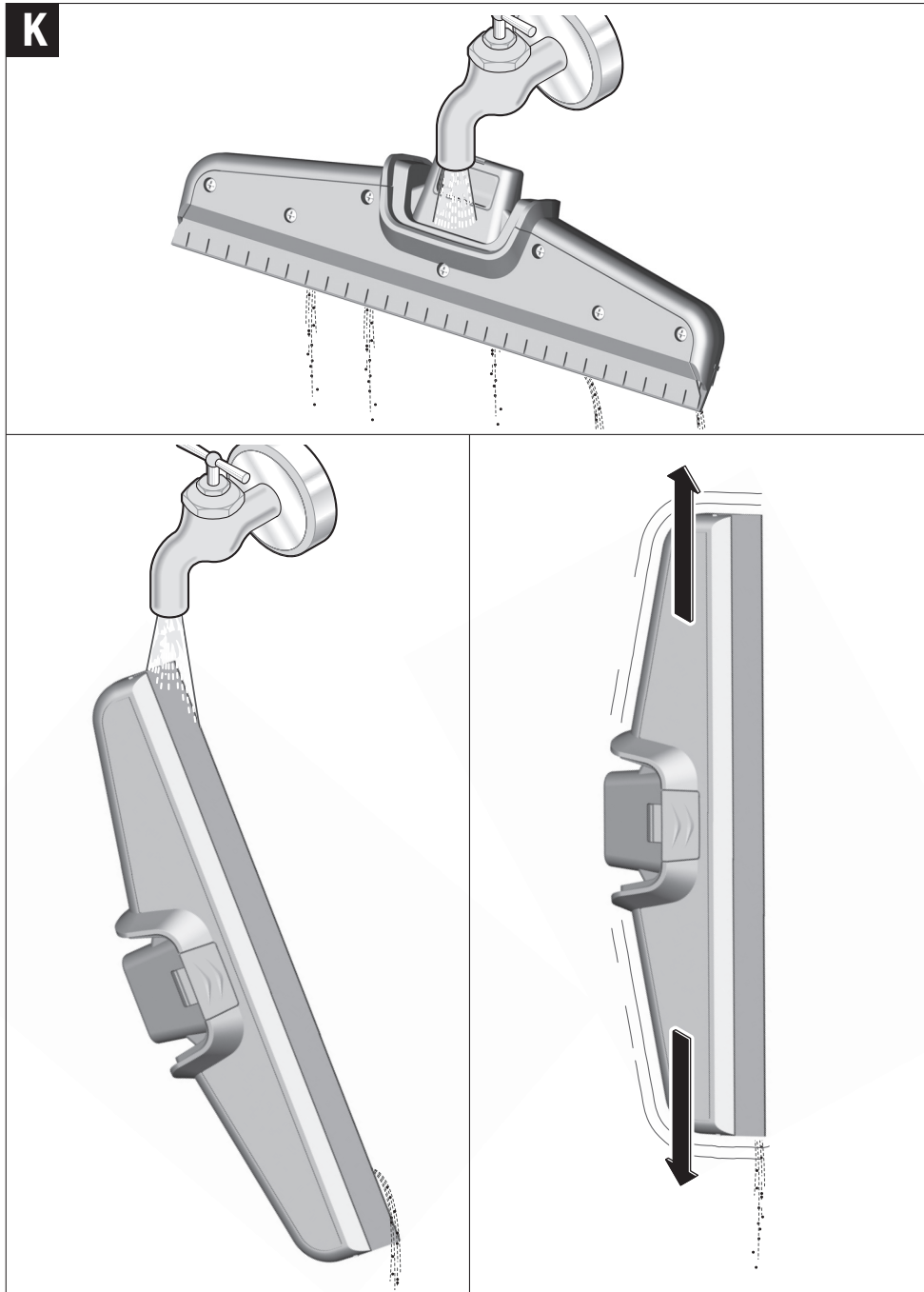






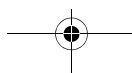
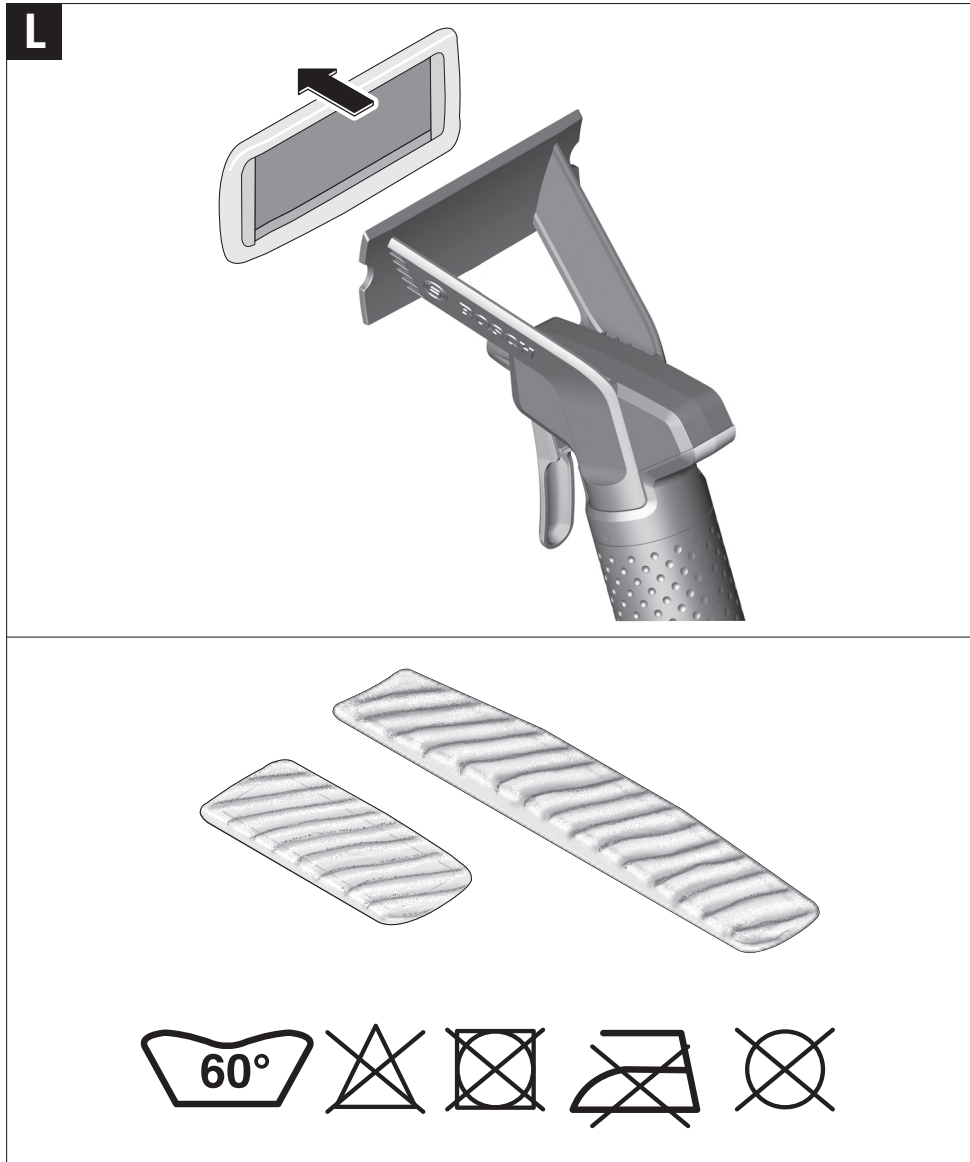
14 |







16 |



Free Manuals Download Website

<http://myh66.com>

<http://usermanuals.us>

<http://www.somanuals.com>

<http://www.4manuals.cc>

<http://www.manual-lib.com>

<http://www.404manual.com>

<http://www.luxmanual.com>

<http://aubethermostatmanual.com>

Golf course search by state

<http://golfingnear.com>

Email search by domain

<http://emailbydomain.com>

Auto manuals search

<http://auto.somanuals.com>

TV manuals search

<http://tv.somanuals.com>