



P-touch

PARTS REFERENCE LIST

MODEL: PT-2030

PT-2030AD

PT-2030VP

MECHANISMS & ELECTRONICS

NOTES FOR USING THIS PARTS REFERENCE LIST

1. When ordering parts, inform us of the following items:

- (1) Code
- (2) Q'ty
- (3) Description
- (4) Symbol (PCB No., Revision, and Parts location mounted on the PCB.)

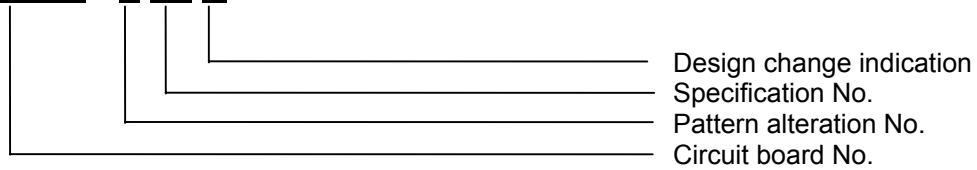
Note : Orders without Parts Code or Tool No. cannot be accepted.

[Example]

REF. NO.	SYMBOL	CODE	Q'TY	DESCRIPTION	REMARKS
					R

Revision No. : marked on the printed circuit board.

B55L139 - 1 01 A



2. Design-changed parts:

When the parts are design-changed, any one of the following symbols is indicated in the REMARKS column.

- CHNG#A: compatible between old and new
- CHNG#B: replaceable from old to new
- CHNG#D: incompatible
- ADD : newly added

3. Parts marked with an "R" in the REMARKS column are recommended spare parts.

4. The original of this list was made based on the information as of September 2010.

5. Parts are subject to change in design without prior notice.

COUNTRIES

U.S.A ---- USA

Canada ---- CAN

Germany ---- DEU

United Kingdom ---- GBR

France ---- FRA

Netherlands ---- NLD

Swiss ---- CHE

Denmark ---- DNK

Australia ---- AUS

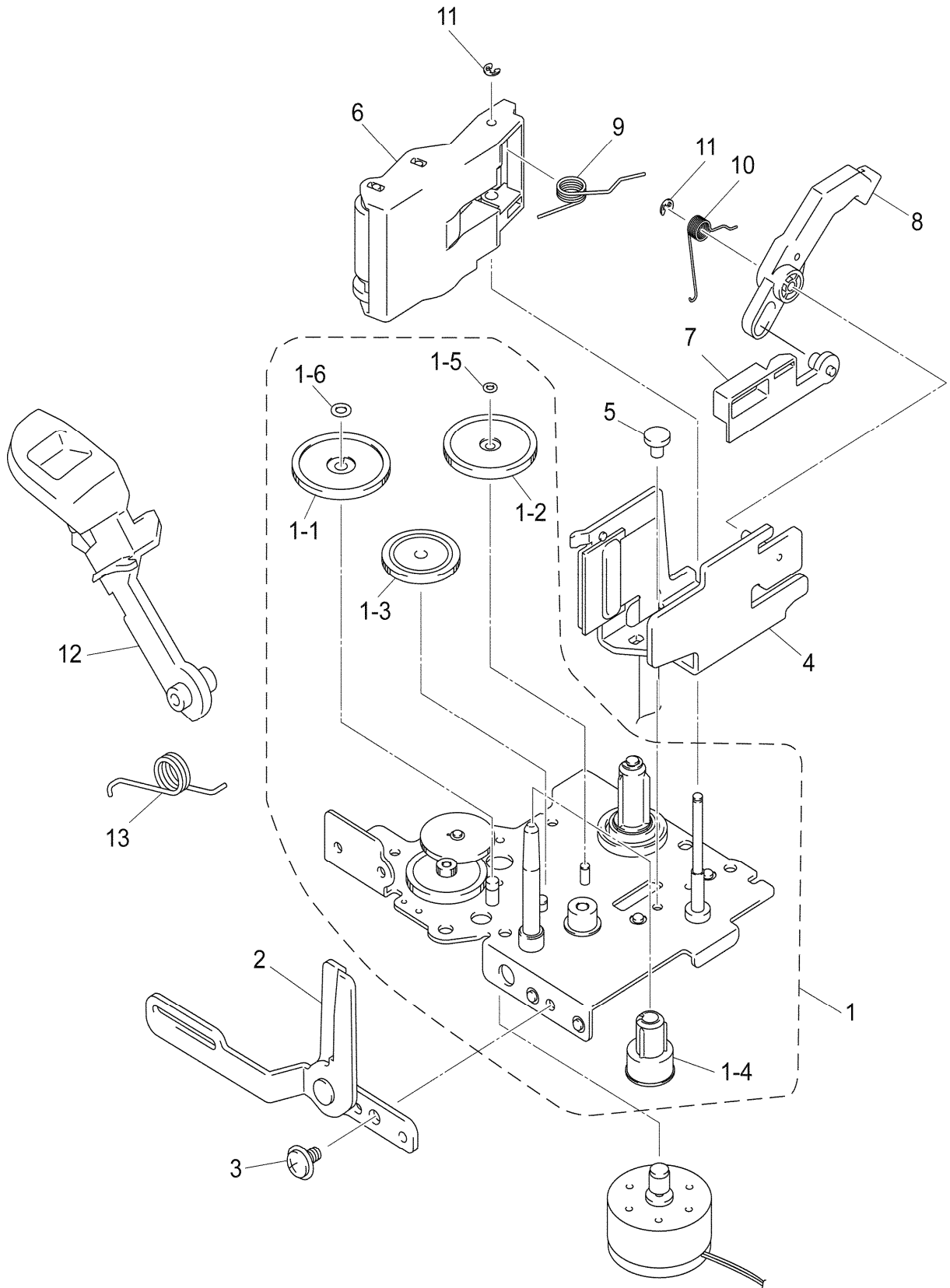
Spain ---- ESP

Hungary ---- HUN

CONTENTS

- 1 . PRINT MECHANISM 1
- 2 . COVERS3
- 3 . MAIN PCB5
- 4 . POWER SUPPLY PCB5
- 5 . RUBBER KEY7
- 6 . SENSOR UNIT7
- 7 . LCD UNIT9
- 8 . ACCESSORY9
- 9 . PRINTED MATTER 11
- 10.PACKING 13

1 . PRINT MECHANISM



1 . PRINT MECHANISM

REF.NO.	CODE	Q'TY	DESCRIPTION	REMARKS
1	LW5637001	1	CHASSIS ASSY 2030	
1-1	LA3194001	1	DOUBLE GEAR 3	
1-2	LN3608000	1	DOUBLE GEAR 4	
1-3	LA3195001	1	IDLE GEAR	
1-4	LN3179001	1	TAPE DRIVE GEAR	
1-5	LA3325001	1	WASHER 1.7	
1-6	UB3733001	1	WASHER 2.6	
2	LN8123001	1	CUTTER ASSY 18 (SP)	
3	087320516	1	TAPTITE CUP S M3X5	
4	LN3186001	1	HEAD ASSY KV1801-27B	
5	060300416	1	SCREW BIND M3X4	
6	LN3190001	1	ROLLER HOLDER ASSY 18	
7	LN3198001	1	ROLLER HOLDER RELEASE ROD	
8	LW0604001	1	ROLLER RELEASE LEVER 1880	
9	LN3201001	1	ROLLER HOLDER RELEASE SPRING	
10	LN3202001	1	LEVER RELEASE SPRING	
11	048015346	2	RETAINING RING E1.5	
12	LW5336001	1	CUTTER LEVER 2030	
13	LW5638001	1	CUTTER RETURN SPRING 2030	

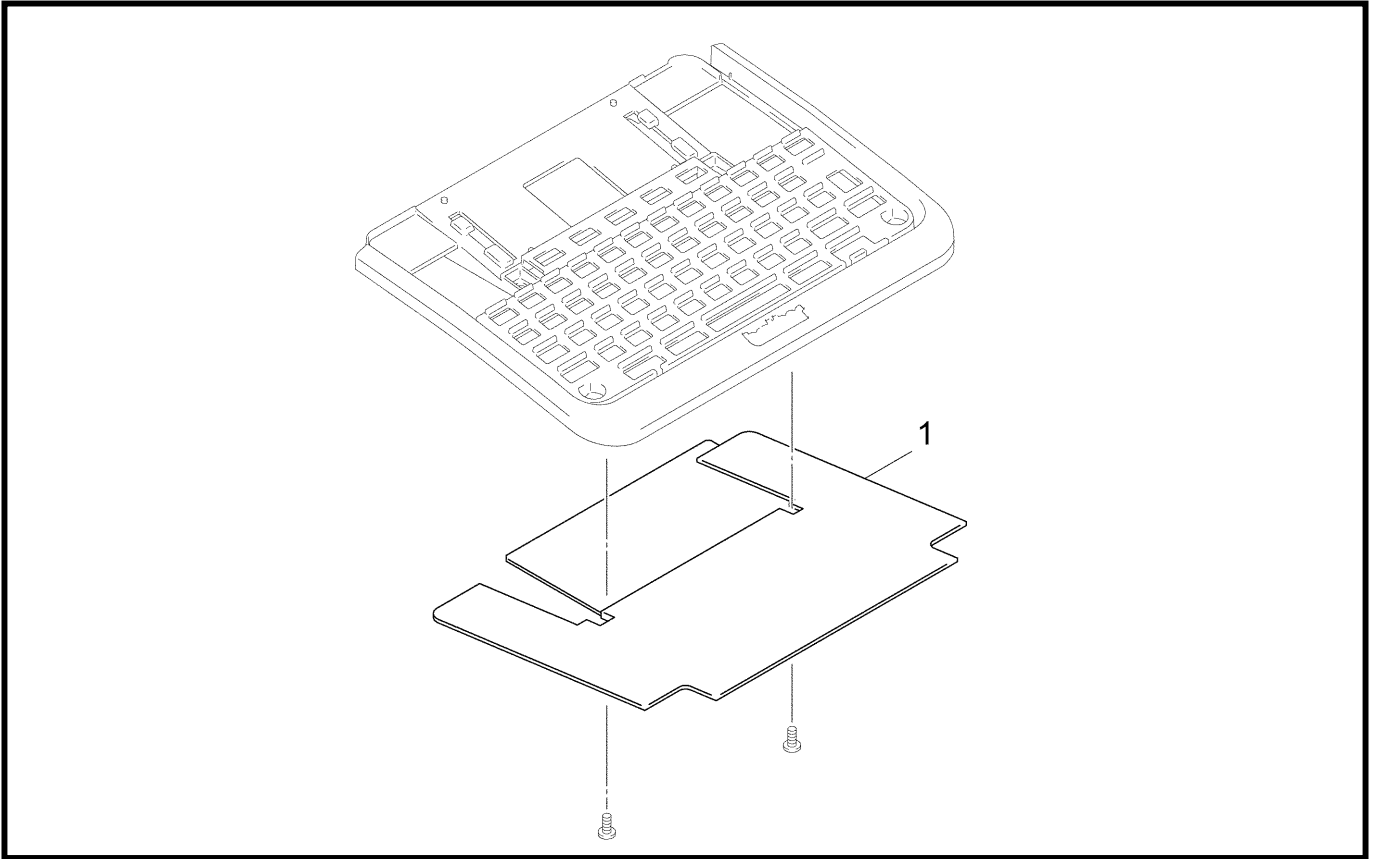
MODEL PT-2030 8V2-311-045

2 . COVERS

REF.NO.	CODE	Q'TY	DESCRIPTION	REMARKS
1	LW5331001	1	UPPER COVER 2030 US (USA/AUS)	
1	LW5371001	1	UPPER COVER 2030 EU (EXCEPT USA/AUS)	
2	LW5333001	1	CASSETTE COVER 2030 US (USA/AUS)	
2	LW5372001	1	CASSETTE COVER 2030 EU (EXCEPT USA/AUS)	
3	LW5338001	1	LCD PANEL 2030	
4	LW5340001	1	TAPE PANEL 2030	
5	LW5334001	1	BOTTOM COVER 2030	
6	LW5335001	1	BATTERY LID 2030	
7	LW5341001	2	BATTERY TERMINAL 2030	
8	LW5332001	1	FRAME COVER 2030	
9	085271017	6	TAPTITE BIND B M2.6X10	
10	085270616	7	TAPTITE BIND B M2.6X6	
11	LA8035001	1	SW HOLD PLATE	
12	LA5753001	2	LOWER FOOT 2300	
13	LW6140001	1	LEVER CAUTION LABEL 2030 (USA/AUS)	
14	LN7400001	1	CAUTION LABEL 1830 EU (EXCEPT USA/CAN/AUS)	
15	LA5001001	1	FCC LABEL 1750 US (USA)	
15	LA5002001	1	FCC LABEL 1750 CA (CAN)	
16	LW5694001	1	LCD MYLAR LABEL 2030EU (EXCEPT USA/CAN)	
17	LW5337001	1	BLIND COVER 2030	
18	LW5339001	1	EMBLEM 2030	
19	LW5641001	1	STATIC PLATE 2030	

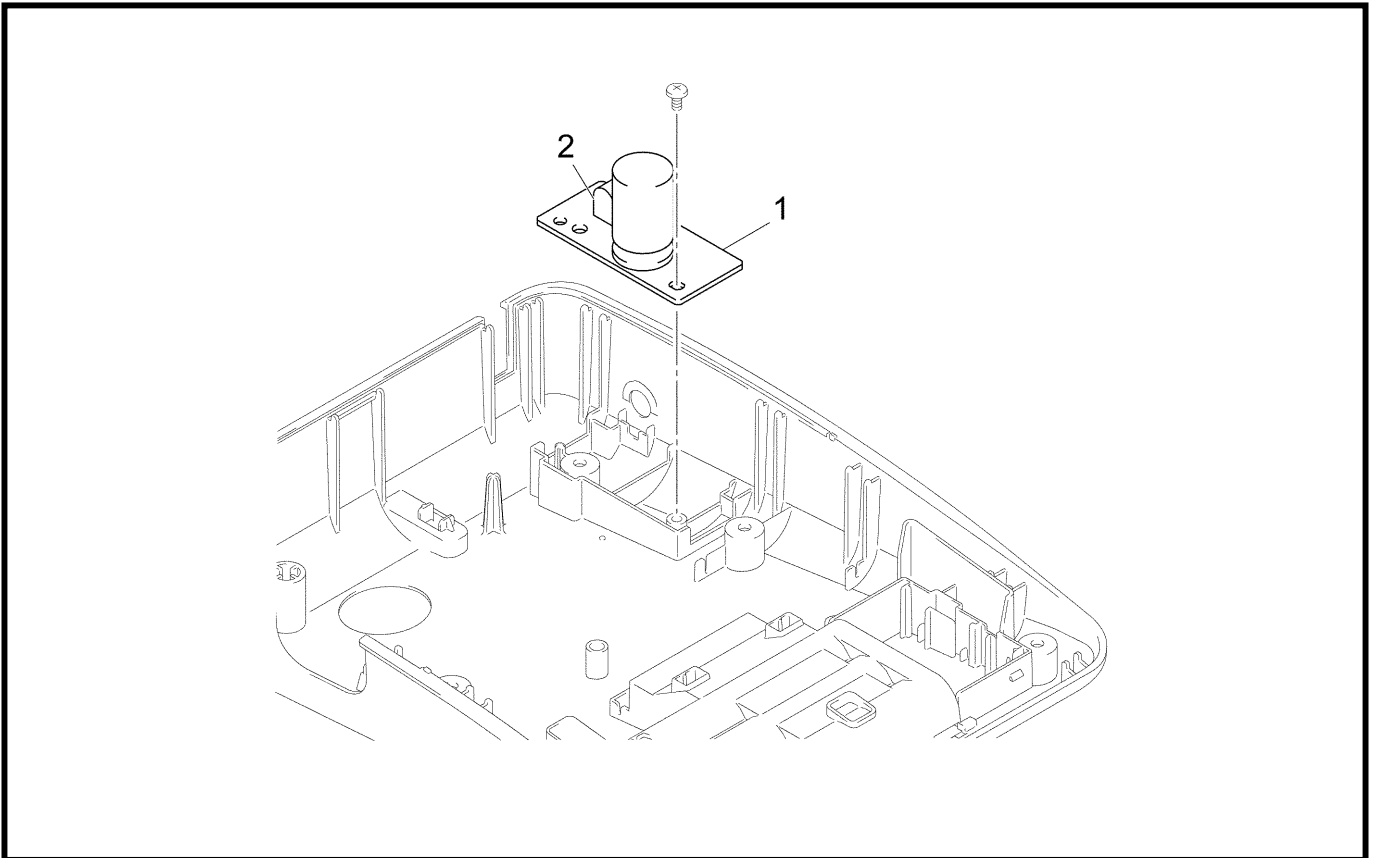
MODEL PT-2030 8V2-311-061

3 . MAIN PCB



MODEL PT-2030 8V2-311-101

4 . POWER SUPPLY PCB



MODEL PT-2030 8V2-311-102

3 . MAIN PCB

REF.NO.	SYMBOL	CODE	Q'TY	DESCRIPTION	REMARKS
1	B55L301	LW5686001	1	MAIN PCB ASSY 2030 (USA/CAN)	
1	B55L301	LW5686002	1	MAIN PCB ASSY 2030 (EXCEPT USA/CAN)	

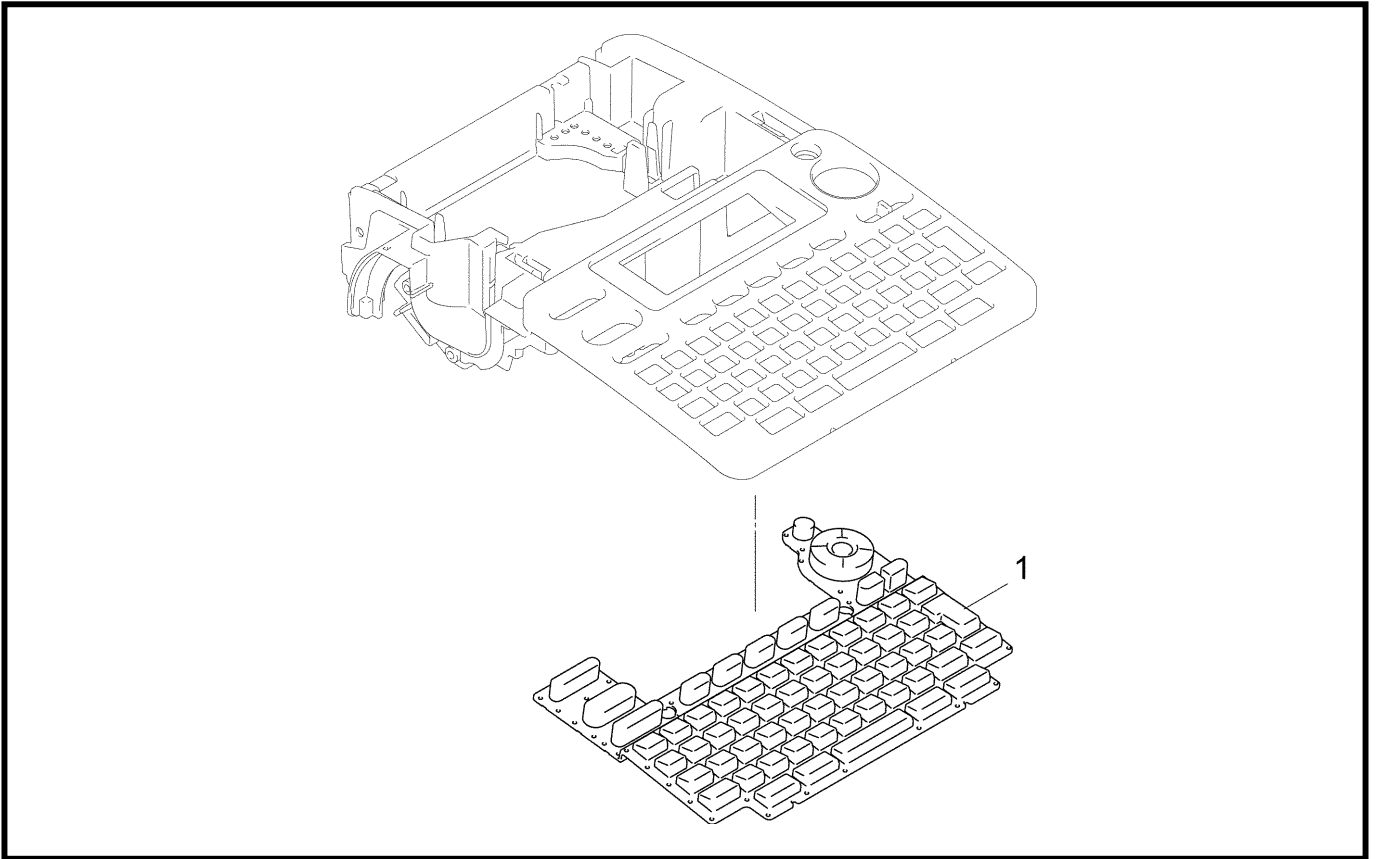
MODEL PT-2030 8V2-311-101

4 . POWER SUPPLY PCB

REF.NO.	SYMBOL	CODE	Q'TY	DESCRIPTION	REMARKS
1	B55L219	LW5699001	1	POWER PCB ASSY 2030	
2		W00325001	1	JACK:HEC0470	

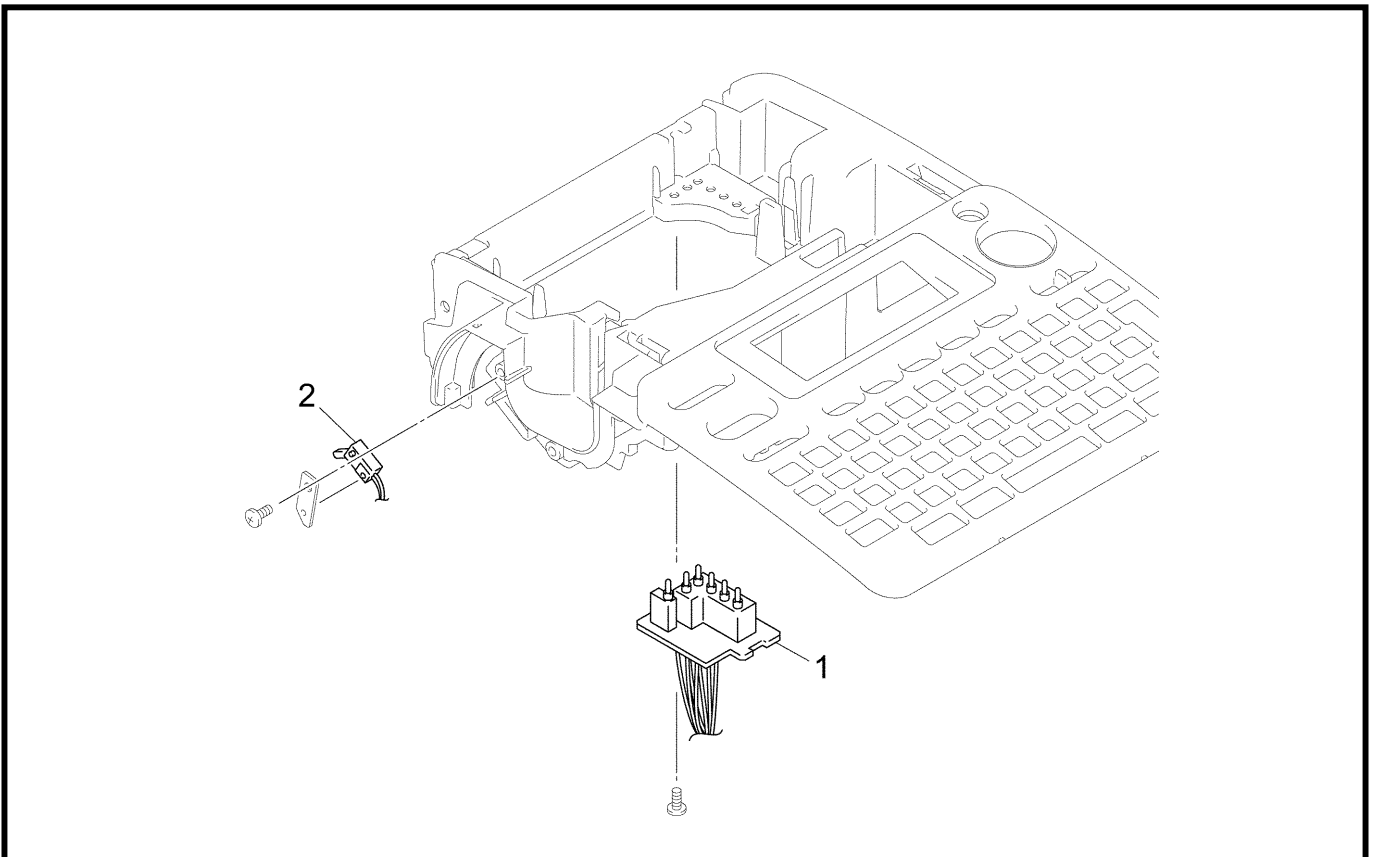
MODEL PT-2030 8V2-311-102

5 . RUBBER KEY



MODEL PT-2030 8V2-311-003

6 . SENSOR UNIT



MODEL PT-2030 8V2-311-100

5 . RUBBER KEY

REF.NO.	SYMBOL	CODE	Q'TY	DESCRIPTION	REMARKS
1		LW5327001	1	RUBBER 63 KEY 2030 US (USA/AUS)	
1		LW5328001	1	RUBBER 63 KEY 2030 DEU (DEU/CHE)	
1		LW5330001	1	RUBBER 63 KEY 2030 FRA (FRA)	
1		LW5329001	1	RUBBER 63 KEY 2030 UK (CAN/GBR/NLD/DNK/ESP/HUN)	

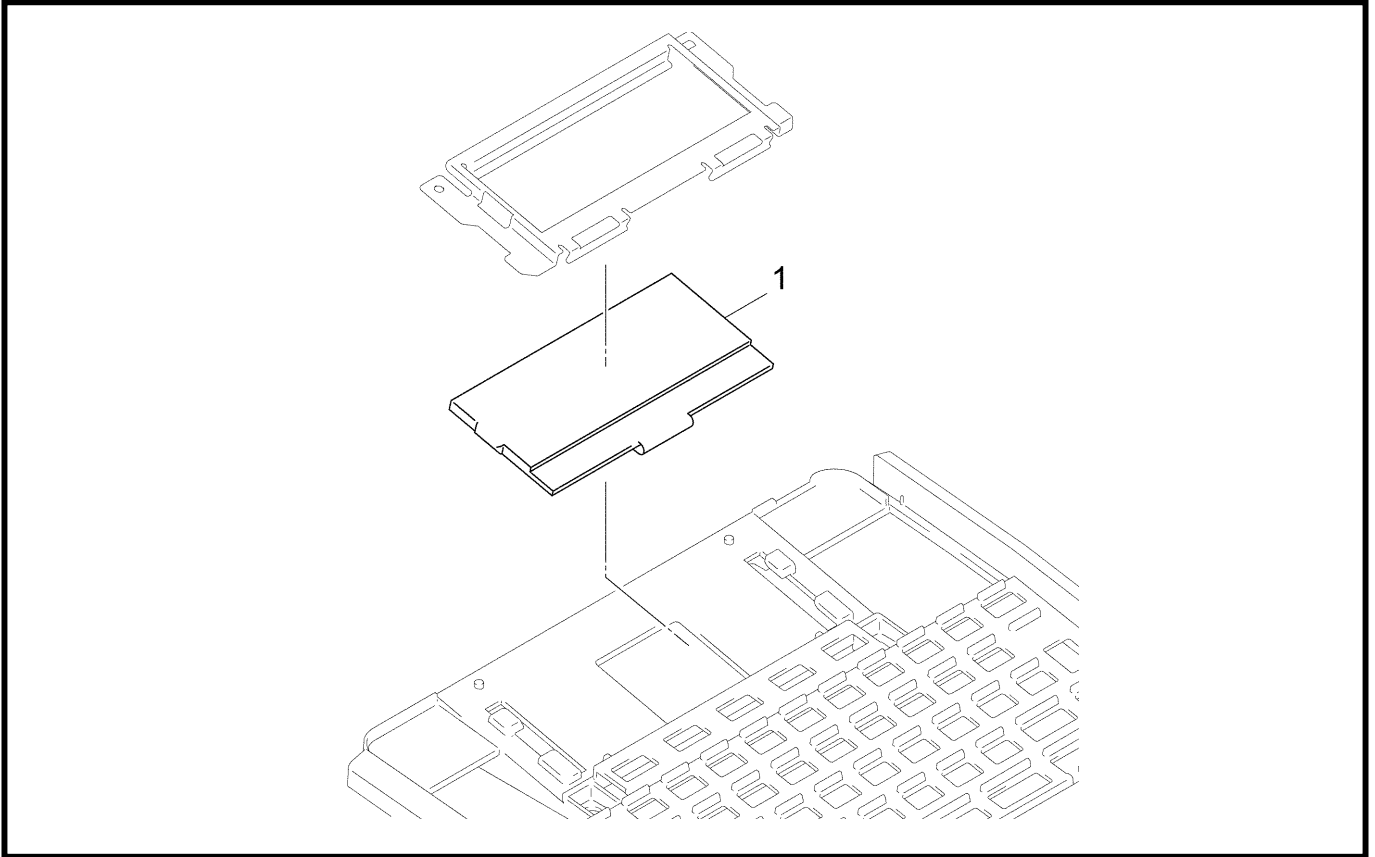
MODEL PT-2030 8V2-311-003

6 . SENSOR UNIT

REF.NO.	SYMBOL	CODE	Q'TY	DESCRIPTION	REMARKS
1	B55L197	LW5926001	1	CASSETTE SENSOR PCB ASSY 2030	
2		LW5683001	1	CUTTER SENSOR ASSY 2030	

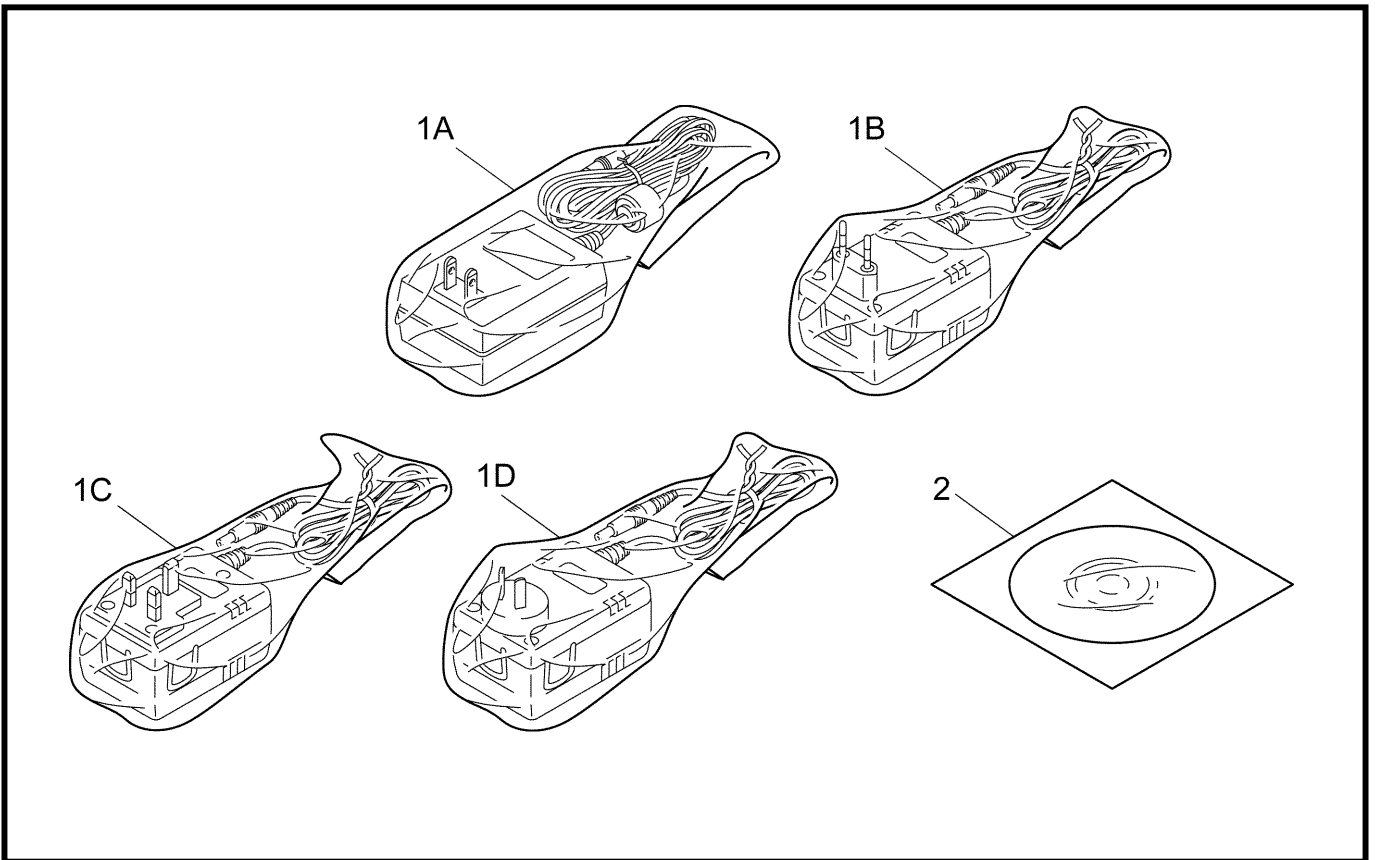
MODEL PT-2030 8V2-311-100

7 . LCD UNIT



MODEL PT-2030 8V2-311-108

8 . ACCESSORY



MODEL PT-2030 8V2-311-910

7 . LCD UNIT

REF.NO.	SYMBOL	CODE	Q'TY	DESCRIPTION	REMARKS
1		A40004001	1	LCD:BTG-13448A-SAGA-N-G-A00	

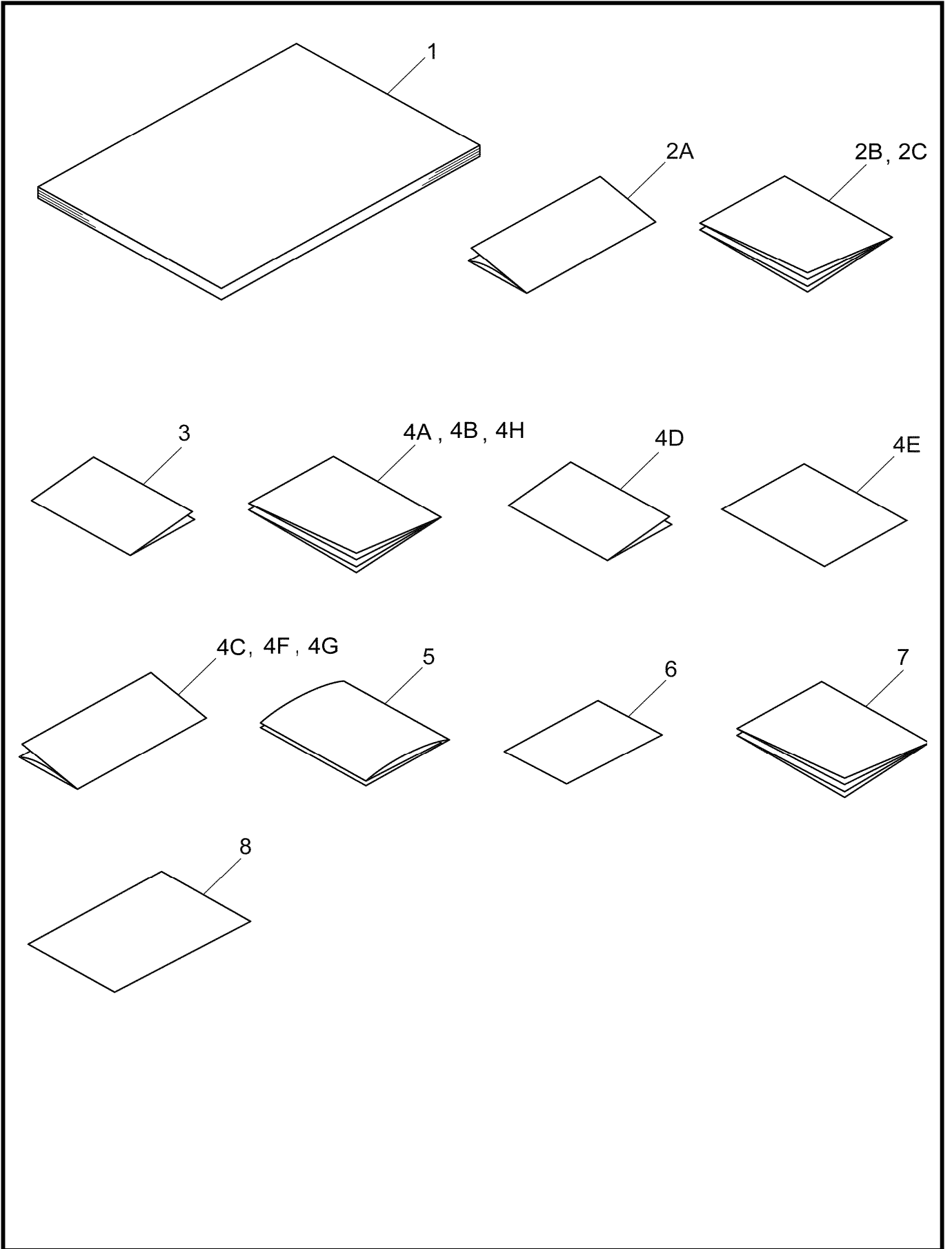
MODEL PT-2030 8V2-311-108

8 . ACCESSORY

REF.NO.	SYMBOL	CODE	Q'TY	DESCRIPTION	REMARKS
1A		LW3258000	1	ADAPTER AD-24ES US (USA/CAN)	
1B		LW4671001	1	ADAPTER AD-24ES EU (DEU/FRA/NLD/CHE/DNK/ESP/HUN)	
1C		LW4672001	1	ADAPTER AD-24ES UK (GBR)	
1D		LW3420000	1	ADAPTER AD-5000ES AUS (AUS)	
2		LW6340001	1	MANUAL CD PT-2030 CEE (HUN)	

MODEL PT-2030 8V2-311-910

9 . PRINTED MATTER



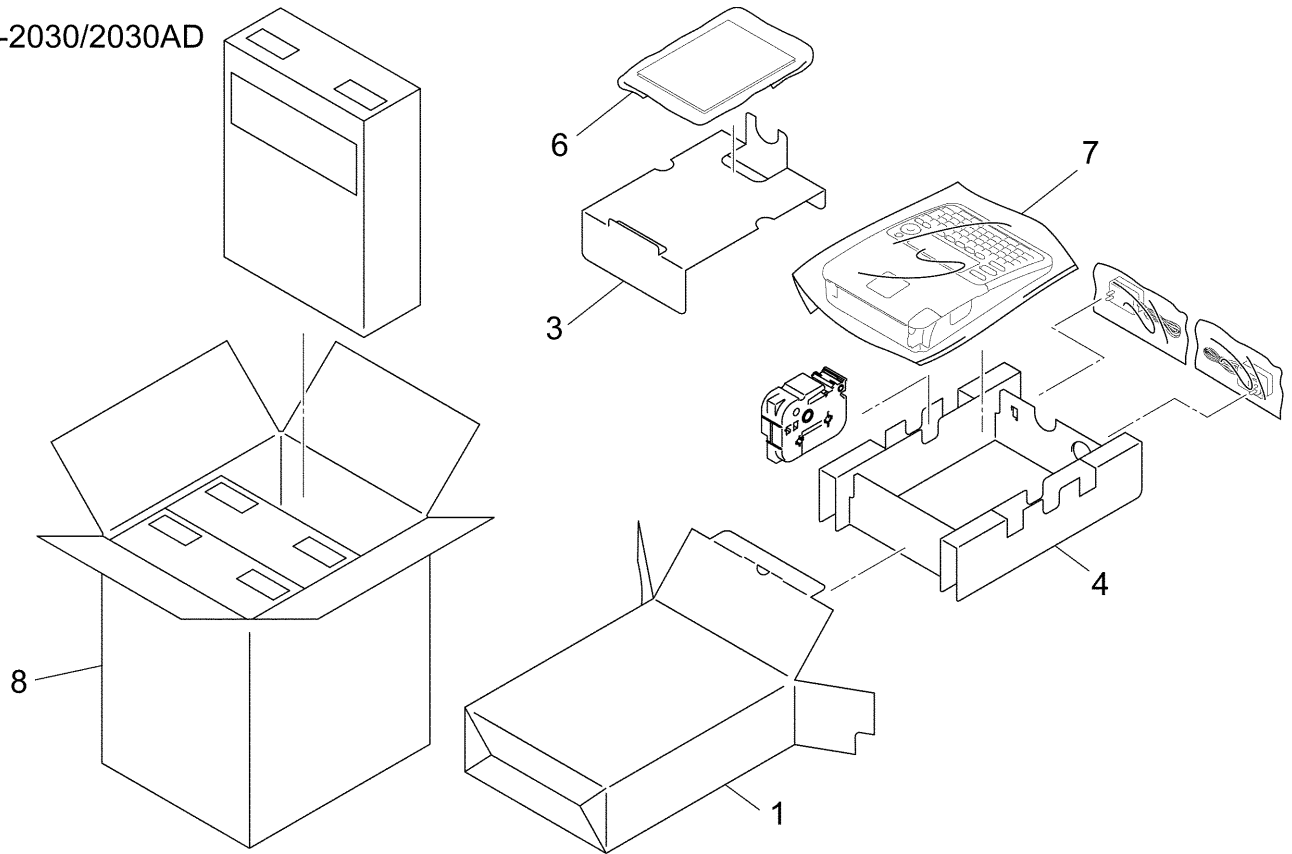
MODEL PT-2030 8V2-311-920

9 . PRINTED MATTER

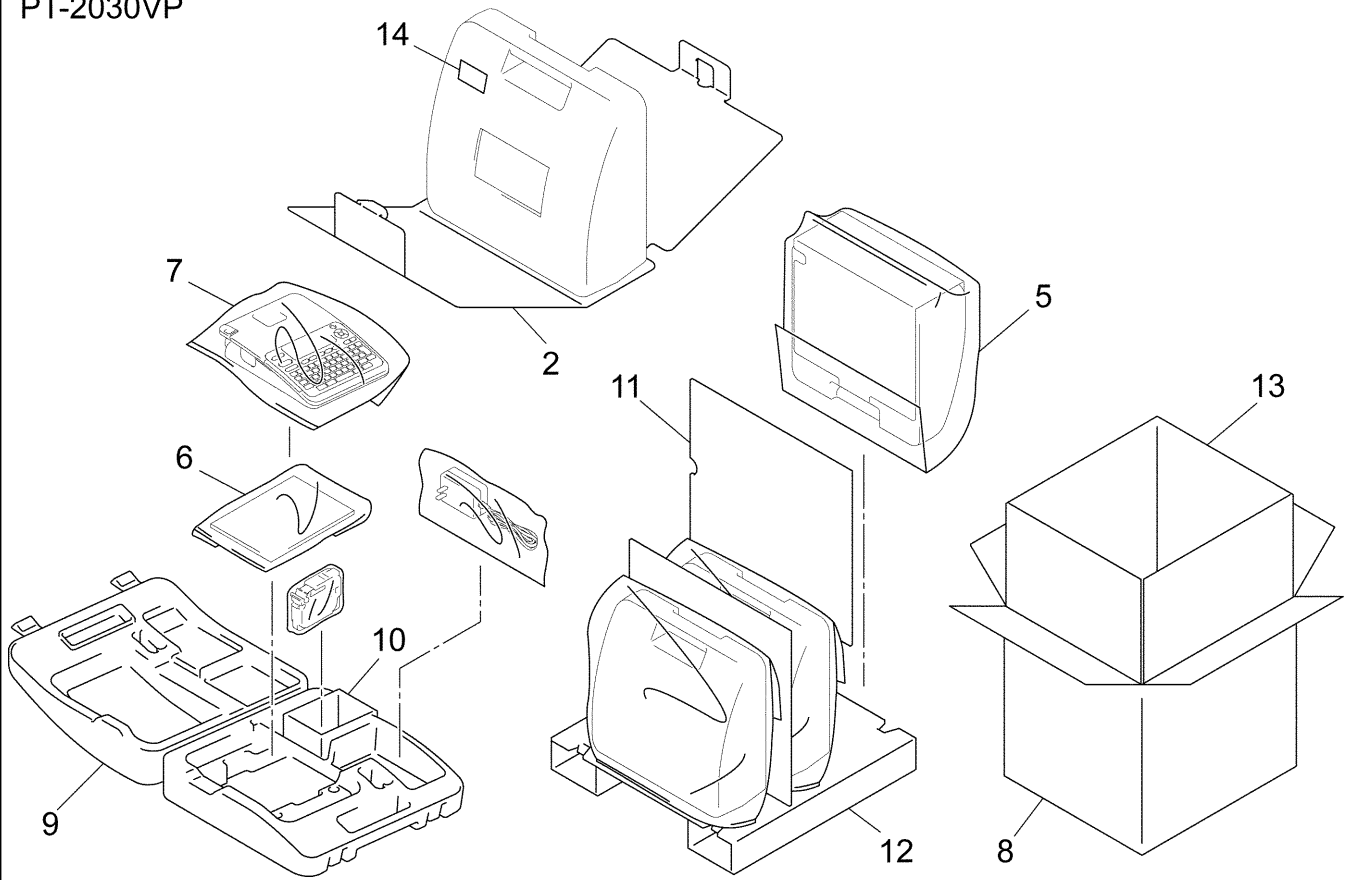
REF.NO.	CODE	Q'TY	DESCRIPTION	REMARKS
1	LW6937001	1	USER'S GUIDE 2030 US ENG/SPA (USA)	
1	LW6417001	1	USER'S GUIDE 2030 GER (DEU/CHE)	
1	LW6161001	1	USER'S GUIDE 2030 CAN ENG/FRA (CAN)	
1	LW6092001	1	USER'S GUIDE 2030 UK ENG (GBR)	
1	LW6163001	1	USER'S GUIDE 2030 AUS ENG (AUS)	
1	LW6418001	1	USER'S GUIDE 2030 FRE/DUT (FRA/NLD/CHE)	
1	LW6421001	1	USER'S GUIDE 2030 ITA (NLD/CHE)	
1	LW6419001	1	USER'S GUIDE 2030 DAN/SWE (DNK)	
1	LW6420001	1	USER'S GUIDE 2030 NOR/FIN (DNK)	
1	LW6422001	1	USER'S GUIDE 2030 SPA/POR (ESP)	
2A	LN2976001	1	TAPE CATALOG 9500 US (USA)	
2B	LW3931001	1	TAPE CATALOG EU (EXCEPT USA/CAN/AUS)	
2C	LN7630001	1	TAPE CATALOG AUS (AUS)	
3	LA7986001	1	REGISTRATION CARD (USA)	
4A	LW3356001	1	1YEAR WARRANTY CARD CAN (CAN)	
4B	LA1661001	1	WARRANTY CARD EURO CH (GBR/FRA/NLD/CHE/DNK/ESP)	
4C	LM4756001	1	WARRANTY CARD IRE (GBR)	
4D	LW2157001	1	3YEAR WARRANTY CARD UK (GBR)	
4E	LW2661001	1	WARRANTY CARD FRA (FRA)	
4F	LJ5400001	1	WARRANTY CARD SPA (ESP)	
4G	LM2652001	1	WARRANTY CARD POR (ESP)	
4H	LW3135001	1	CEE WARRANTY CARD (HUN)	
5	LN9950001	1	ACCESSORY ORDER FORM LIST (USA)	
5	LA7938001	1	1180 ACCESSORY ORDER FORM CACH (CAN)	
6	LN6297001	1	REGISTER INSERTION US CH (USA)	
7	LW6141001	1	LABEL COLLECTION INSERTION US (USA/CAN)	
7	LW6142001	1	LABEL COLLECTION INSERTION EU (EXCEPT USA/CAN)	
8	LW5453001	1	WEEE & BATTERY INSERTION EU (EXCEPT USA/CAN/AUS)	
8	LW4027001	1	BATTERY INSERTION CHE (CHE)	

10. PACKING

PT-2030/2030AD



PT-2030VP



MODEL PT-2030 8V2-311-930

10 . PACKING

REF.NO.	CODE	Q'TY	DESCRIPTION	REMARKS
1	LW5642001	1	CARTON 2030 US (PT-2030) (USA)	
1	LW6162001	1	CARTON 2030 CAN (PT-2030) (CAN)	
1	LW6164001	1	CARTON 2030 AUS (PT-2030) (AUS)	
1	LW6151001	1	CARTON 2030AD US (PT-2030AD)	
2	LW6153001	1	CARTON 2030VP US (PT-2030VP) (USA)	
2	LW5923001	1	CARTON 2030VP EU (PT-2030VP) (EXCEPT USA)	
3	LW5643001	1	PAD UPPER 2030 (PT-2030/2030AD)	
4	LW5644001	1	PAD LOWER 2030 (PT-2030/2030AD)	
5	LN9294001	1	PE BAG 2700 CC (PT-2030VP)	
6	LA6867001	1	BAG 215X360H	
7	LA0085001	1	BAG 280X400H	
8	LW5648001	1	CARTON (X3) 2030 US (PT-2030)	
8	LW6295001	1	CARTON (X3) 2030AD US (PT-2030AD)	
8	LW5924001	1	CARTON (X3) 2030VP EU (PT-2030VP)	
9	LW5342001	1	CARRYING CASE 2030 (PT-2030VP)	
10	LW2537000	1	CASSETTE SPACER 1830 (PT-2030VP)	
11	LW5920001	1	PAD PT-2730 CC (PT-2030VP)	
12	LW6548001	1	PAD LOWER PT-2730 CC (PT-2030VP)	
13	LW6773001	1	PAD SURROUND PT-2730 CC (PT-2030VP)	
14	LW3751001	1	3YR GUARANTEE MYLAR LABEL GER (DEU)	
	LW1162001	1	TZ LINE UP STICKER EU 1 (PT-2030VP) (EXCEPT USA)	
	LN6938001	1	AUSTRIA LABEL LARGE (HUN)	
	UN8891001	1	C-TICK MARK (AUS)	

MODEL PT-2030 8V2-311-930

brother®

Free Manuals Download Website

<http://myh66.com>

<http://usermanuals.us>

<http://www.somanuals.com>

<http://www.4manuals.cc>

<http://www.manual-lib.com>

<http://www.404manual.com>

<http://www.luxmanual.com>

<http://aubethermostatmanual.com>

Golf course search by state

<http://golfingnear.com>

Email search by domain

<http://emailbydomain.com>

Auto manuals search

<http://auto.somanuals.com>

TV manuals search

<http://tv.somanuals.com>