



TJ-4020TN/4021TN/4021TNR
TJ-4120TN/4121TN/4121TNR

User's Guide (English)

Copyright Information

The copyright in this manual, the software, and firmware in the printer described therein are owned by Brother. All rights reserved.

Information in this document is subject to change without notice and does not represent a commitment on the part of the company. No part of this manual may be reproduced or transmitted in any form or by any means, for any purpose other than the purchaser's personal use, without the expressed written permission of the company.

Trademarks

Wi-Fi® is a registered trademark of Wi-Fi Alliance®.

CG Triumvirate is a trademark of Agfa Corporation. CG Triumvirate Bold Condensed font is under license from the Monotype Corporation. All other trademarks are the property of their respective owners.

Any trade names and product names of companies appearing on Brother products, related documents and any other materials are all trademarks or registered trademarks of those respective companies.

Not all models are available in all countries or regions.

Contents

1. Introduction	1
1.1 Product Introduction	1
1.2 Additional Product Reference.....	1
2. Operations Overview.....	2
2.1 Unpack the Label Printer and Check the Components	2
2.2 Printer Overview	3
2.2.1 Front View.....	3
2.2.2 Interior View	6
2.2.3 Rear View.....	7
2.3 Control Panels	8
2.3.1 LED Indicators and Buttons.....	9
2.3.2 Home Screen Icons (Touchscreen Models Only).....	10
2.3.3 Touchscreen Overview.....	11
3. Set Up Your Printer	16
3.1 Connect the Power Cord.....	16
3.2 Load the Ribbon.....	17
3.3 Remove Used Ribbon	20
3.4 Load the Media	21
3.4.1 Load Label Roll	21
3.4.2 Load External Media	24
3.4.3 Load the Media in Peeler Mode (Optional)	27
3.4.4 Load Media in Cutter Mode (Optional).....	31
4. Improve Print Quality.....	34
4.1 Adjust Print Head Tension to Improve Print Quality.....	34
4.2 Avoid Wrinkled Labels.....	34
4.2.1 Adjust Ribbon Tension	34
4.2.2 Change the Print Density/Darkness Settings	36
4.2.3 Try Different Media.....	36
5. Printing.....	37
5.1 Printer Driver Installation.....	37
5.1.1 USB Connection (Windows/Mac/Linux)	37
5.1.2 Wi-Fi Network Connection (Windows)	38
5.1.3 Wired Network Connection (Windows)	39
5.2 Create and Print Labels Using BarTender.....	40

6.	Operation	41
6.1	Power-on Utilities	41
6.1.1	Ribbon and Gap/Black Mark Sensor Calibration.....	42
6.1.2	Gap/Black Mark Sensor Calibration, Self-Test, and Entering Dump Mode.....	43
6.1.3	Printer Initialization	47
6.1.4	Media Sensor Calibration (for the Black Mark Sensor)	48
6.1.5	Media Sensor Calibration (for the Gap Sensor)	48
6.1.6	Skip the AUTO.BAS Program.....	49
7.	Change Printer Settings using the Touchscreen.....	50
7.1	Setting Menu.....	50
7.1.1	FBPL Settings	50
7.1.2	ZPL2 Settings.....	52
7.2	Sensor Settings.....	55
7.3	Interface Settings	56
7.3.1	Serial Communication Settings.....	56
7.3.2	Ethernet Settings.....	57
7.3.3	Wi-Fi Settings.....	58
7.3.4	RFID (Radio Frequency Identification) Settings.....	60
7.4	Advanced Settings	66
7.5	File Manager	67
7.6	Diagnostic Functions.....	68
8.	Brother Printer Management Tool (BPM)	69
8.1	Start the BPM.....	69
8.2	Auto-Calibrating the Media Sensor using the BPM.....	70
9.	Setting Up the RFID	71
9.1	Introduction	71
9.2	RFID Calibration	72
9.2.1	Load the RFID Media	72
9.2.2	RFID Calibration Procedure	73
10.	Product Specifications.....	76
11.	Troubleshooting	79
11.1	Common Problems	79
11.2	Touchscreen Error Messages	81
11.3	RFID Error Messages	82
12.	Maintenance	84

1. Introduction

1.1 Product Introduction

The robust design of the label printer can handle up to 450 m of ribbon and has the capacity to handle 8" label rolls.

The label printer comes equipped with a number of functions, including:

- Built-in Ethernet
- RS-232C interface
- USB ports (for connecting a keyboard or barcode scanner)
- Wi-Fi Interface Expansion Slot (for the optional Wi-Fi Interface (PA-WI-002))
- 3.5" color Touchscreen (TJ-4021TN/TJ-4021TNR/TJ-4121TN/TJ-4121TNR only)

The label printer uses its high-performance and high-quality built-in Monotype Imaging® TrueType font engine with the CG Triumvirate Bold Condensed smooth scalable font. It also provides a choice of eight different sizes of the alphanumeric bitmap font and supports most of the standard barcode formats.

1.2 Additional Product Reference

For information on how to write custom programs for your label printer, see the *Command Reference* on your model's **Manuals** page at support.brother.com.

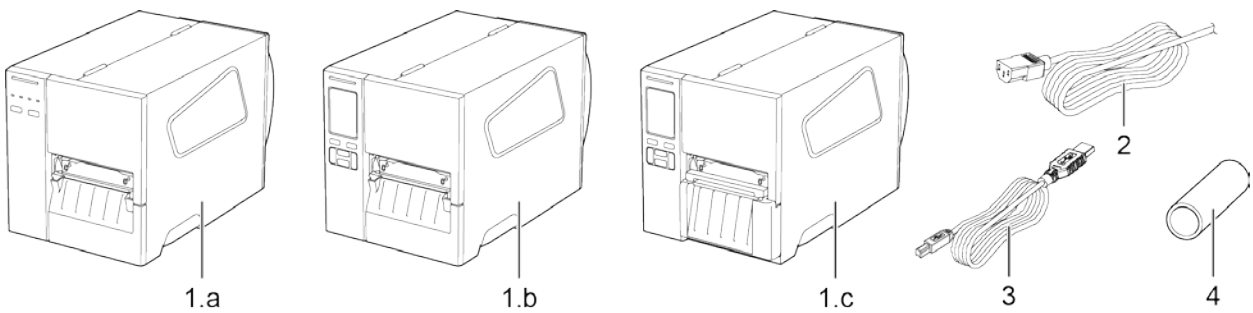
2. Operations Overview

2.1 Unpack the Label Printer and Check the Components

 **Note**

Keep the packaging materials in case you must ship the printer.

The components included in the box:



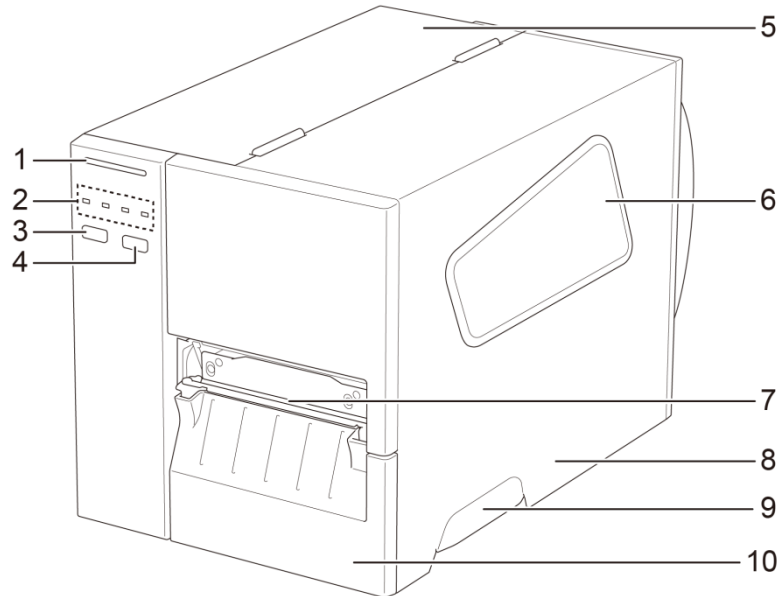
1. Label Printer
 - a. TJ-4020TN/TJ-4120TN
 - b. TJ-4021TN/TJ-4121TN
 - c. TJ-4021TNR/TJ-4121TNR
2. Power Cord
3. USB Cable
4. Paper Core

If any components are missing, contact the product manufacturer's customer service or your local dealer.

2.2 Printer Overview

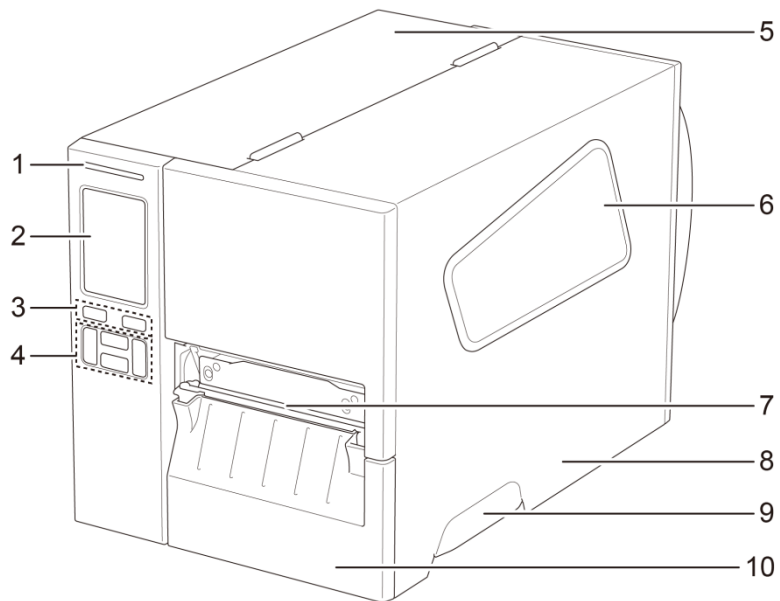
2.2.1 Front View

TJ-4020TN/TJ-4120TN



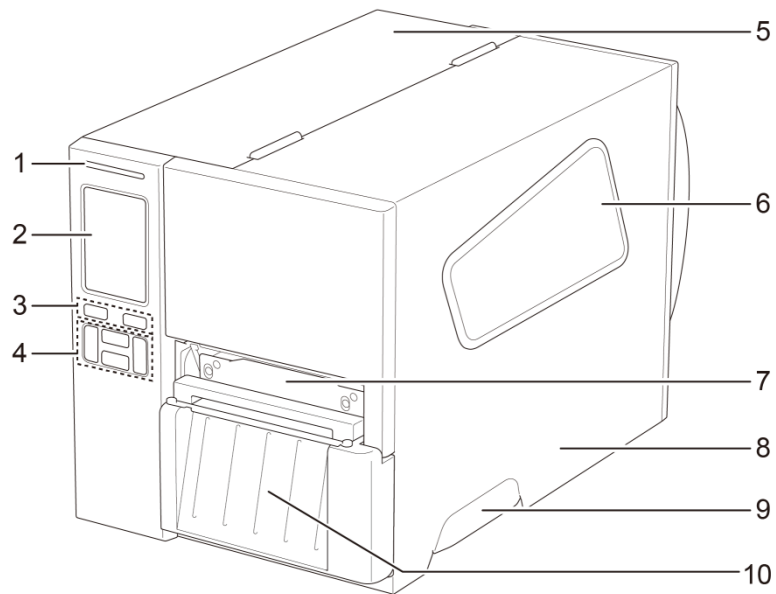
1. Power LED
2. LED Indicators
3. Pause Button
4. Feed Button
5. PCB Cover
6. Media View Window
7. Media Output Slot
8. Media Cover
9. Media Cover Handle
10. Lower Front Panel

TJ-4021TN/TJ-4121TN



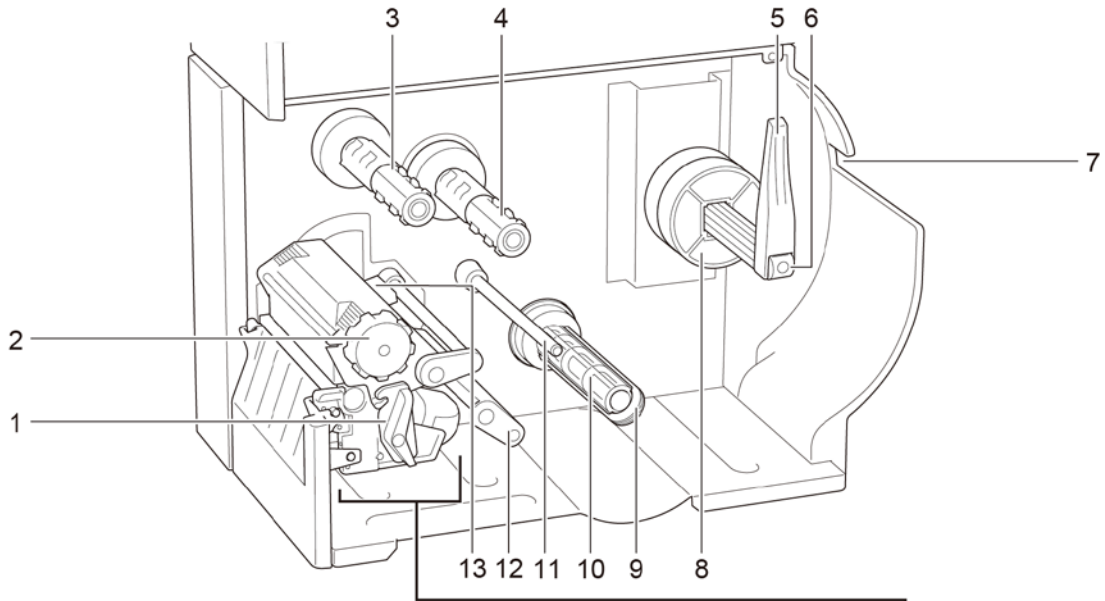
1. Power LED
2. Touchscreen
3. Selection Buttons
4. Navigation Buttons
5. PCB Cover
6. Media View Window
7. Media Output Slot
8. Media Cover
9. Media Cover Handle
10. Lower Front Panel

TJ-4021TNR/TJ-4121TNR

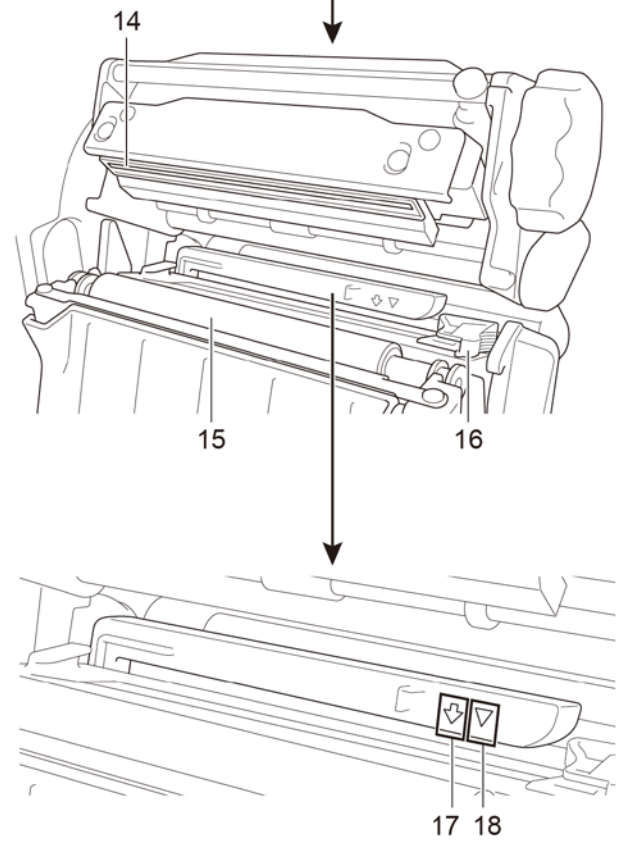


1. Power LED
2. Touchscreen
3. Selection Buttons
4. Navigation Buttons
5. PCB Cover
6. Media View Window
7. Media Output Slot
8. Media Cover
9. Media Cover Handle
10. RFID Tear Cover

2.2.2 Interior View

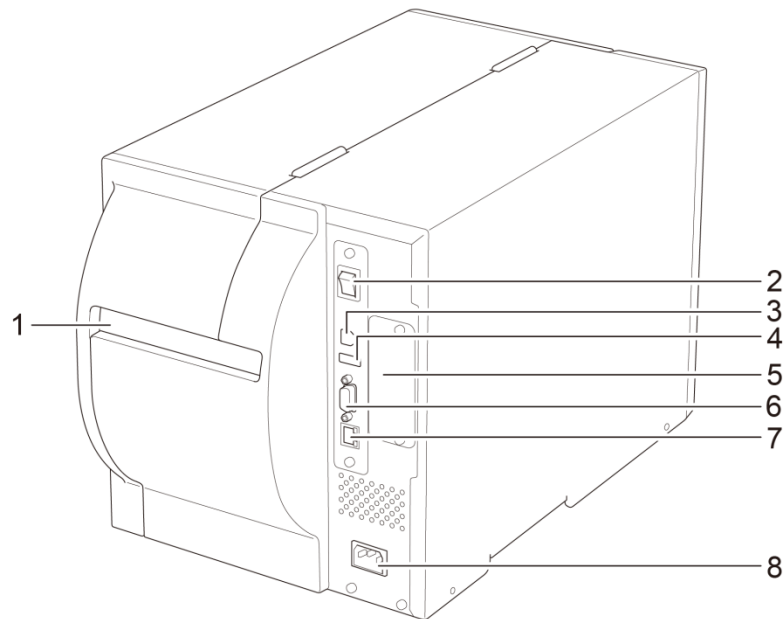


1. Print Head Release Lever
2. Print Head Tension Adjustment Knob
3. Ribbon Rewind Spindle
4. Ribbon Supply Spindle
5. Label Roll Guard
6. Label Supply Spindle
7. External Label Entry Slot
8. 3" Core Adapter
9. Liner Securing Clip *
10. Liner Rewind Spindle *
11. Media Guide Bar *
12. Damper
13. Ribbon End Sensor



* Optional accessories for the Label Peeler Assembly.

2.2.3 Rear View

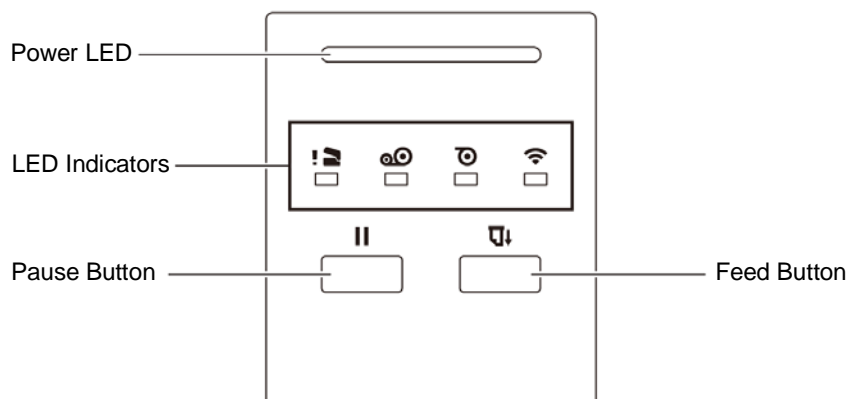


1. External Label Entry Slot
2. Power Switch
3. USB Port (USB 2.0/Hi-Speed Mode)
4. USB Host Port
5. Wi-Fi Interface Expansion Slot *
6. RS-232C Serial Port
7. Ethernet Port
8. Power Cord Socket

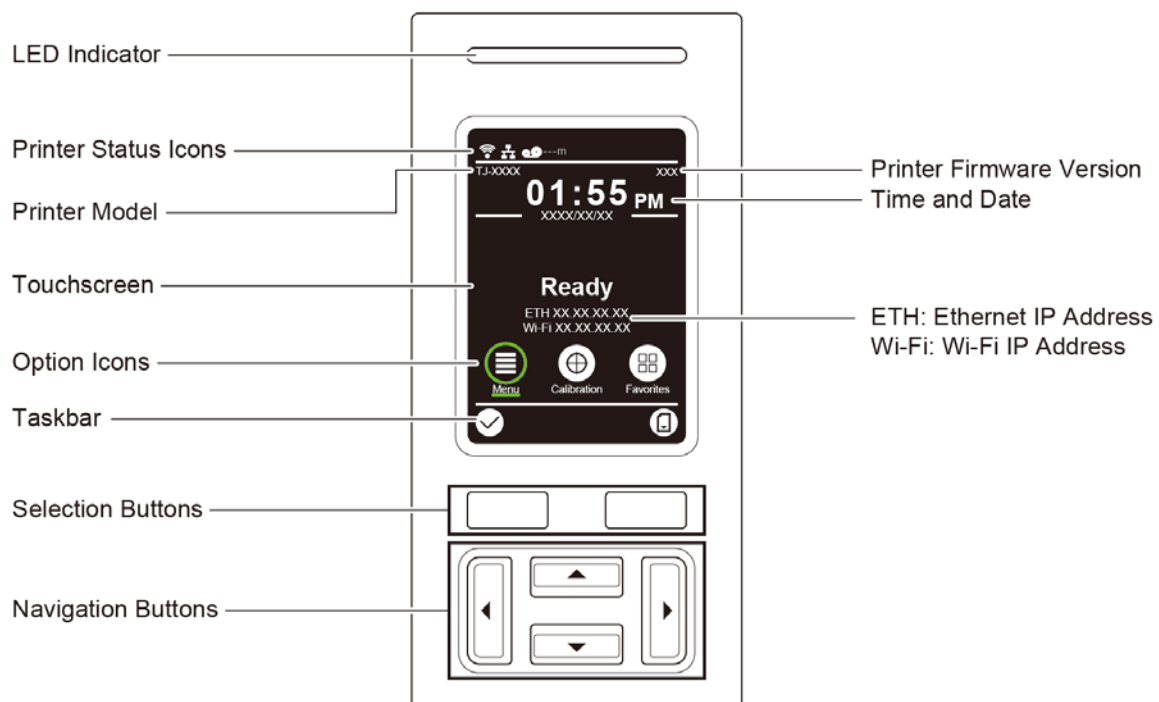
* For the optional Wi-Fi Interface (PA-WI-002).

2.3 Control Panels

TJ-4020TN/TJ-4120TN



TJ-4021TN/TJ-4021TNR/TJ-4121TN/TJ-4121TNR







2.3.1 LED Indicators and Buttons


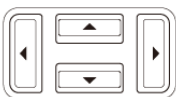
Power LED Indications (All Models)

LED Color	Description
Green (Lit)	The power is on and the printer is ready to use.
Green (Flashing)	<ul style="list-style-type: none"> - The printer is downloading data from a computer. - The printer is paused.
Amber	The printer is removing data from memory.
Red (Lit)	The Print Head is open or there is a Cutter error.
Red (Flashing)	There is a printing error, such as "Paper Empty", "Paper Jam", "Ribbon Empty", or "Memory Error".

TJ-4020TN/TJ-4120TN





LED Indicators				
Icons				
Name	Print Head	Ribbon	Paper	Communication
Status	Lit: Print Head open	Lit: Out of ribbon <ul style="list-style-type: none"> • Blinking (after powering the printer on): Awaiting the first print job • Blinking (between print jobs): Ribbon near end 	Lit: Out of paper Blinking: Paper jam	Lit: Radio-Frequency connected Blinking: Radio-Frequency communication

TJ-4021TN/TJ-4021TNR/TJ-4121TN/TJ-4121TNR




Buttons	Function
Selection Buttons 	Use to select highlighted icons and menus.
Navigation Buttons 	Use to navigate the Touchscreen and highlight icons and menus.

2.3.2 Home Screen Icons (Touchscreen Models Only)



Printer Status Icons

Icon	Indication
	Wi-Fi device is ready (Available when the Wi-Fi Interface is installed)
	Ethernet is connected
	Ribbon capacity (%)
	Security lock

Option Icons

Icon	Function
	Access the Main Menu For more information, see section 2.3.3 Touchscreen Overview .
	Calibrate the media sensor
	Enter the “Favorites” screen For more information, see section 2.3.3 Touchscreen Overview .

Taskbar Icons

Icon	Function
	Accept your selection
	Feed one label

2.3.3 Touchscreen Overview

(Available for TJ-4021TN, TJ-4021TNR, TJ-4121TN and TJ-4121TNR only)

Tap the icons to access printer features and change settings.




Access the Main Menu

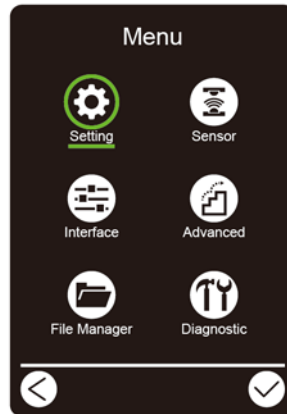
Make sure the printer's Touchscreen displays "Ready". If not, tap the **Menu** icon (☰).





Note

You can also use the Control Panel buttons. Use the Navigation buttons to select the **Menu** icon, and then press the Selection button under  icon.

To select an option on the Main Menu, tap the option's icon.









 **Note**

You can also use the Control Panel buttons. Use the Navigation buttons to browse the options, and then press the button under the  icon. To return to the previous screen, press the button under the  icon.

Main Menu Overview


Use the Main Menu options to configure various printer settings without connecting the printer to a computer.

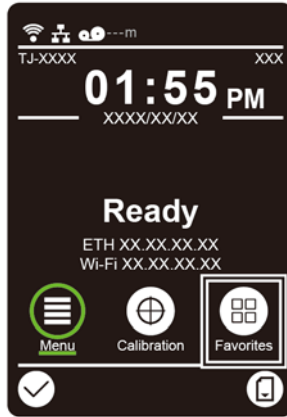
Icon	Option	Description
	Setting	Configure the printer's FBPL and ZPL2 settings.
	Sensor	Calibrate the selected media sensor. We recommend calibrating the sensor every time you change the media.
	Interface	Configure the printer interface settings.
	Advanced	Configure the printer's Touchscreen, initialization, cutter type, or media low warning settings.
	File Manager	Check or manage the available printer memory.
	Diagnostic	Check the printer status to help troubleshoot any issues.

 **Note**

For more information about printer settings, see section [7. Change Printer Settings using the Touchscreen](#).

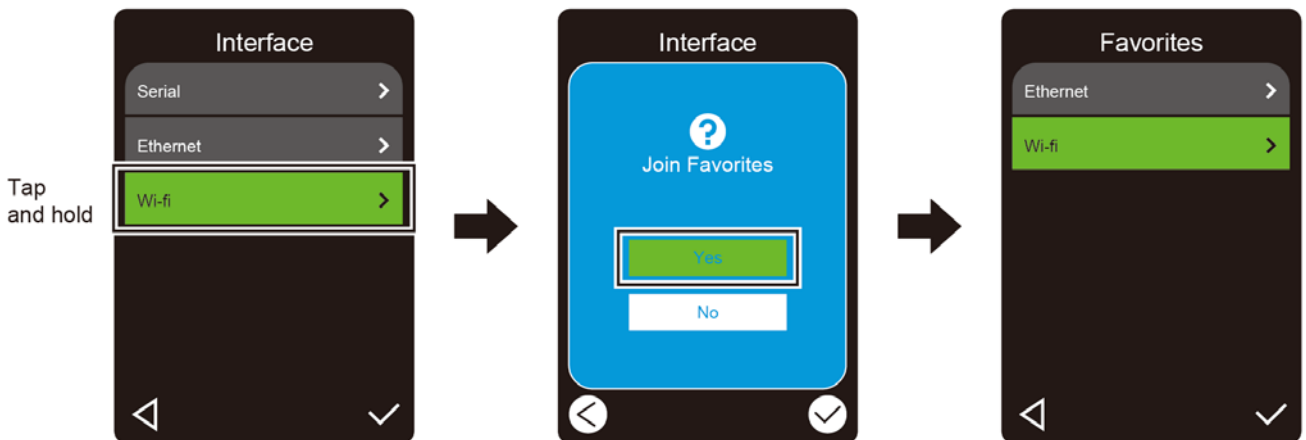
Favorites

Add frequently used Main Menu options to “Favorites” for quick access. To display the “Favorites” list, tap the Favorites icon .



To add an option to the "Favorites" list:

1. Tap and hold the option you want to add to favorites until “Join Favorites” appears.
2. Tap “Yes”.



To remove an option from the "Favorites" list:

1. Tap and hold the option you want to remove from favorites until "Delete Favorites" appears.
2. Tap "Yes".



3. Set Up Your Printer

3.1 Connect the Power Cord

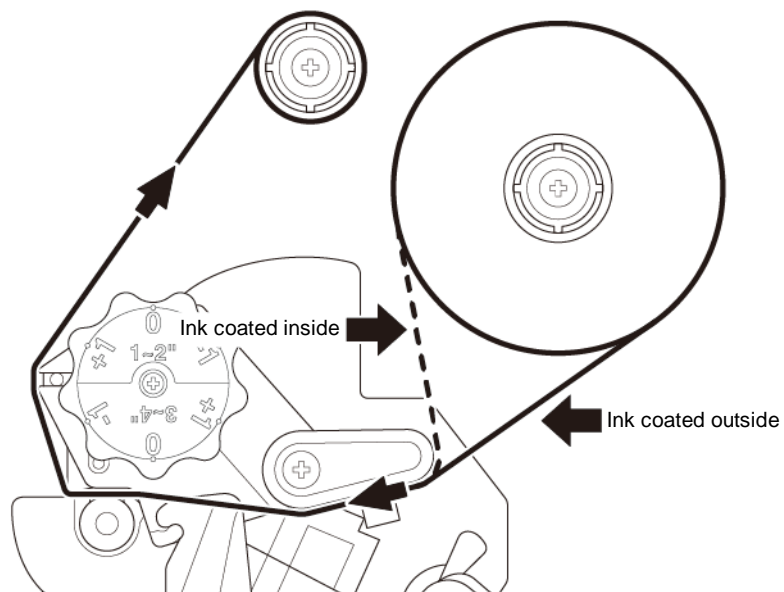
1. Place the printer on a flat, secure surface.
2. Make sure the Power Switch is in the OFF position.
3. Connect the printer to the computer using a USB cable.
4. Plug the Power Cord into the Power Cord Socket at the rear of the printer, and then plug the Power Cord into a correctly grounded power outlet (earthed electrical socket).

 **Note**

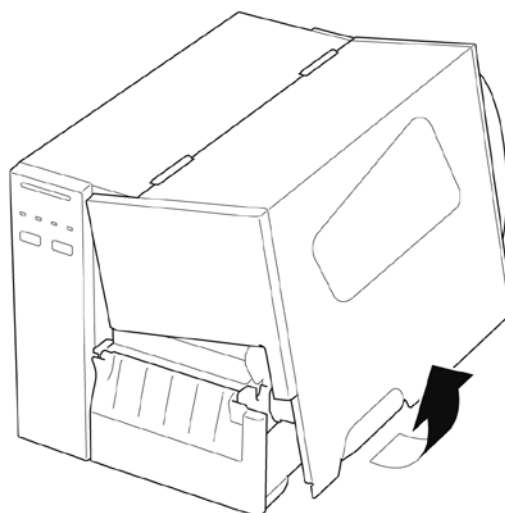
- Before plugging the Power Cord into the printer's Power Cord Socket, make sure the printer's Power Switch is in the OFF position.
 - After powering the printer on, the LED blinks until the printer receives the first print job.
-

3.2 Load the Ribbon

Ribbon loading path

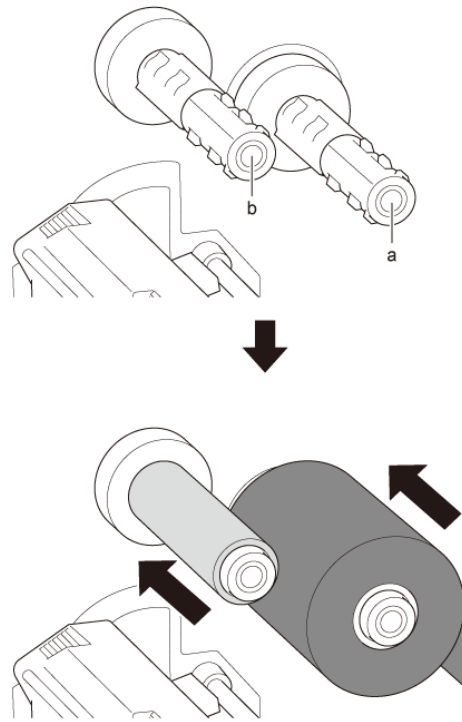


1. Open the Media Cover.

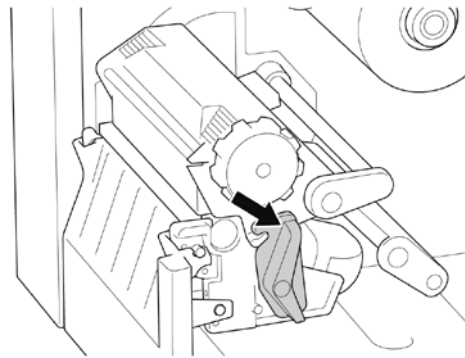


2.

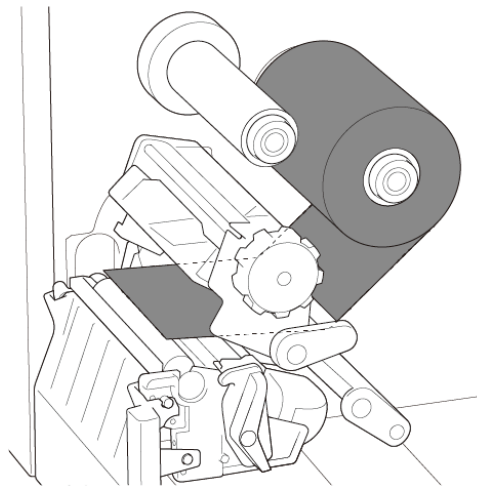
- a. Install the ribbon onto the Ribbon Supply Spindle.
- b. Install the Paper Core onto the Ribbon Rewind Spindle.



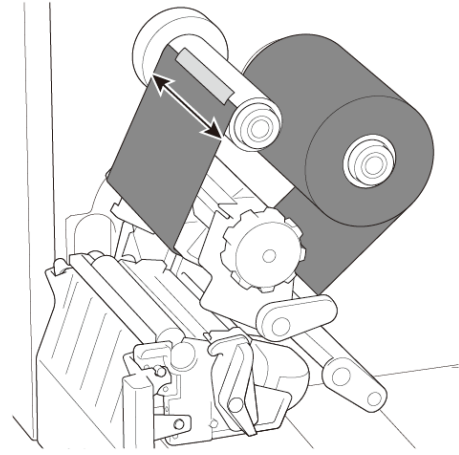
3. Push the Print Head Release Lever to open the Print Head.



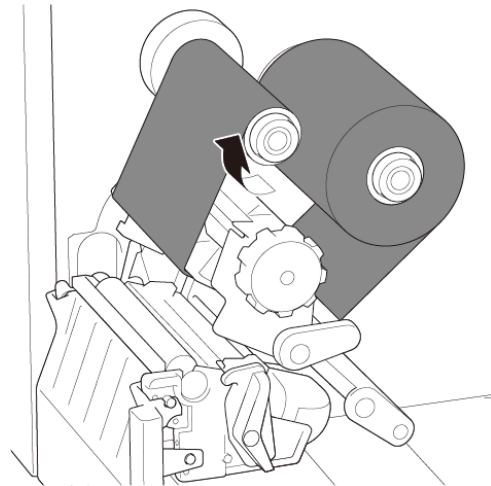
4. Thread the ribbon under the ribbon guide bar and through the ribbon sensor slot following the loading path printed on the Label Printer Cover.



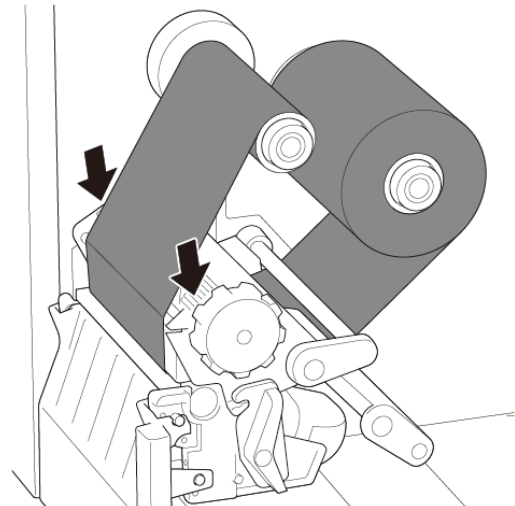
5. Adhere the ribbon leader onto the Ribbon Rewind Paper Core. Keep the ribbon flat and without wrinkles.



6. Wind the Ribbon Rewind Spindle counterclockwise about three to five turns until the ribbon is smooth, flat and without wrinkles.

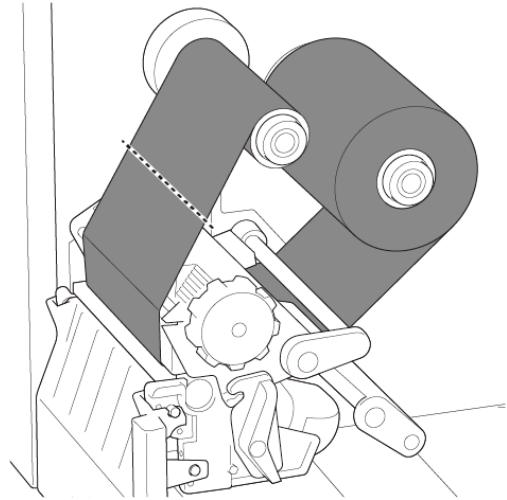


7. Close the Print Head by pushing down on both sides of the Print Head Release Lever.



3.3 Remove Used Ribbon

1. Cut the used ribbon with scissors along the dotted line.

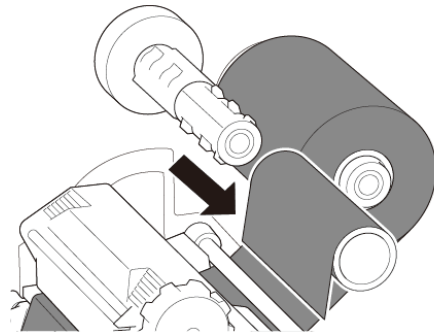


2. Remove the ribbon from the Ribbon Rewind Spindle.



Note

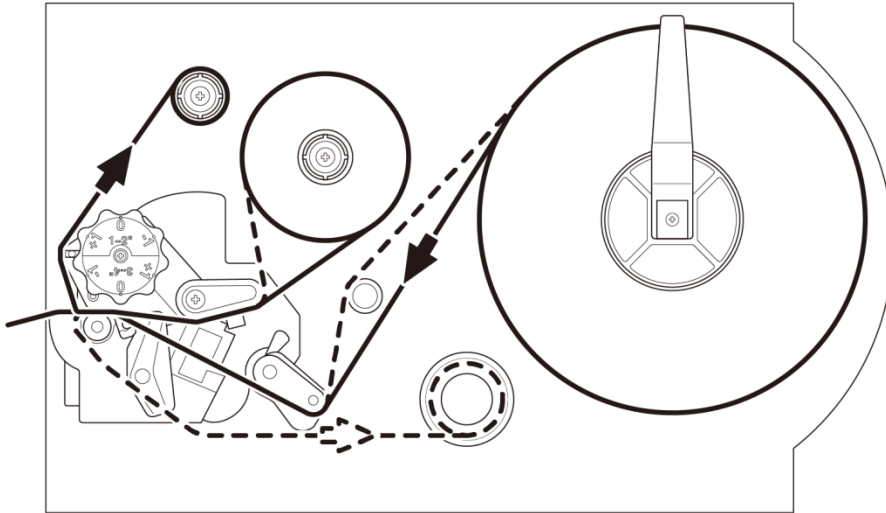
We recommend destroying the used ribbon if it has retained any visible prints.



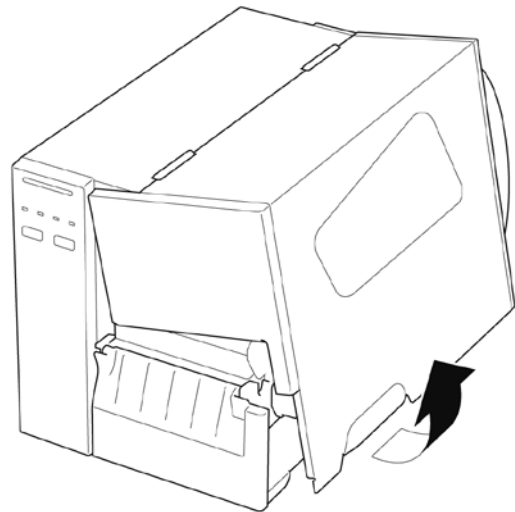
3.4 Load the Media

3.4.1 Load Label Roll

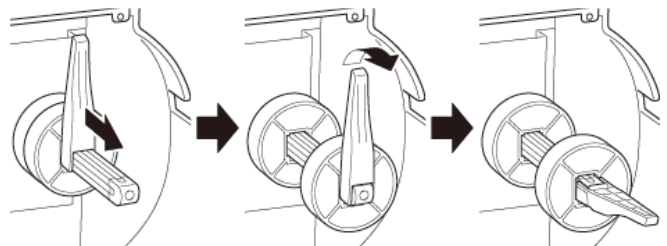
Label Roll loading path



1. Open the Media Cover.



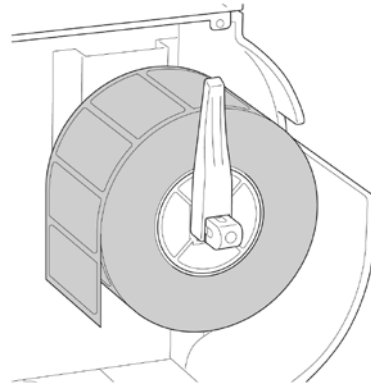
2. Slide the Label Roll Guard horizontally to the end of the Label Supply Spindle, and then flip down the Label Roll Guard.



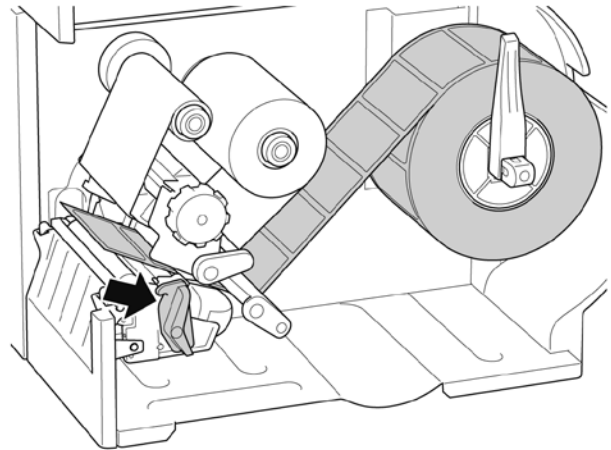
- Place the label roll on the Label Supply Spindle and then flip the Label Roll Guard upwards to hold it in place.

 **Note**

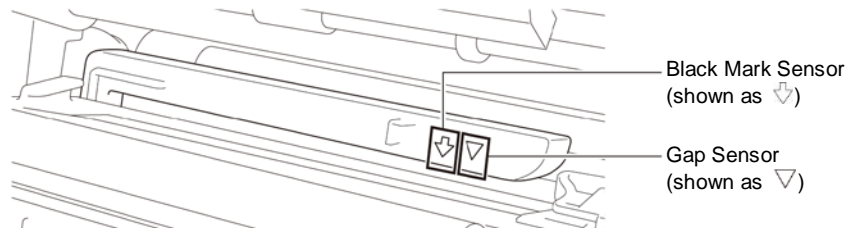
Make sure the label print side is facing up.



- Push the Print Head Release Lever and thread the label through the Damper, Media Sensor, and Front Label Guide to install the media.



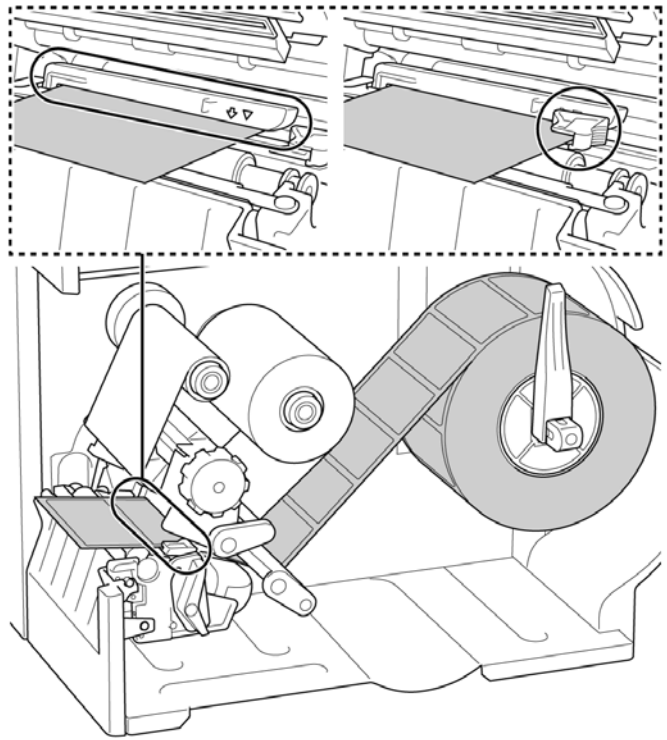
- Move the Media Sensor by adjusting the Media Sensor Position Adjustment Knob. Make sure the position of the Gap or Black Mark Sensor matches the position of the Gap/Black Mark on the label roll.



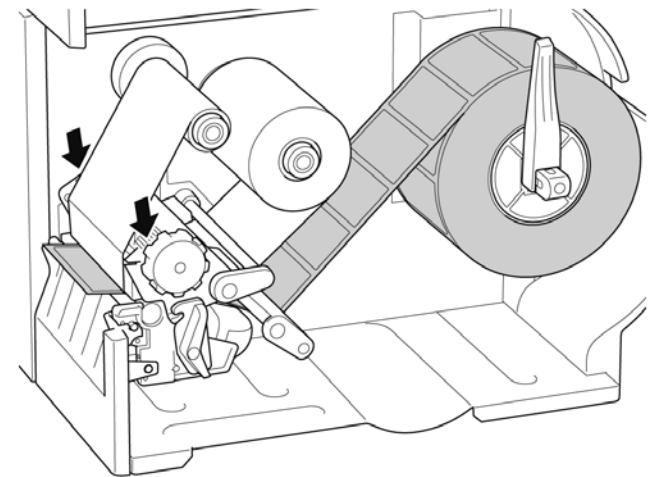
- Adjust the Front Label Guide to fix the media position.

 **Note**

- Make sure you thread the media through the Media Sensor.
- The sensor locations are marked by the triangle mark ∇ (Gap Sensor) and the arrow mark \Downarrow (Black Mark Sensor) at the sensor housing.
- The Media Sensor position is adjustable. Make sure the position of the Gap or Black Mark Sensor matches the position of the Gap/Black Mark on the label roll.

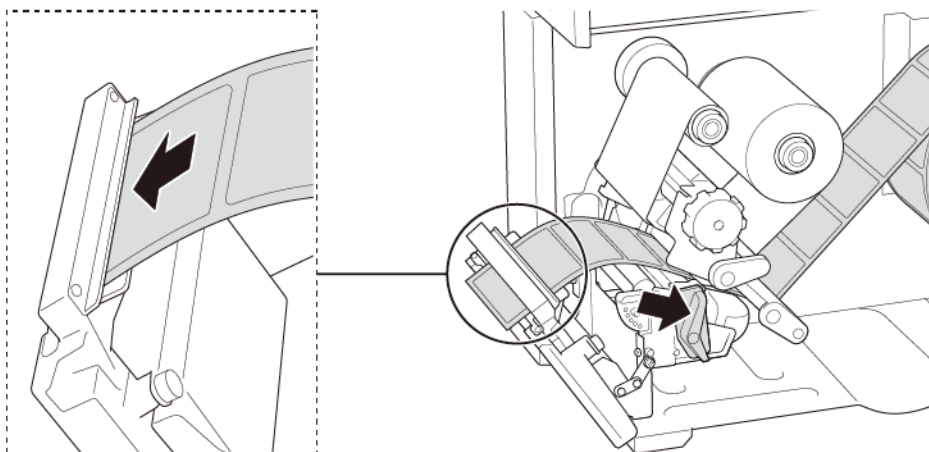


- Close the Print Head on both sides and make sure it locks into place.
- Set the media sensor type and calibrate the selected sensor.



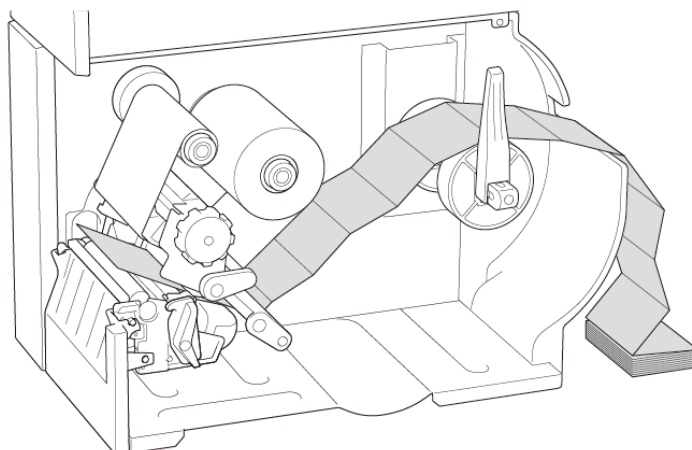
 **Note**

For RFID models, feed the media through the Tear Cover Slot.

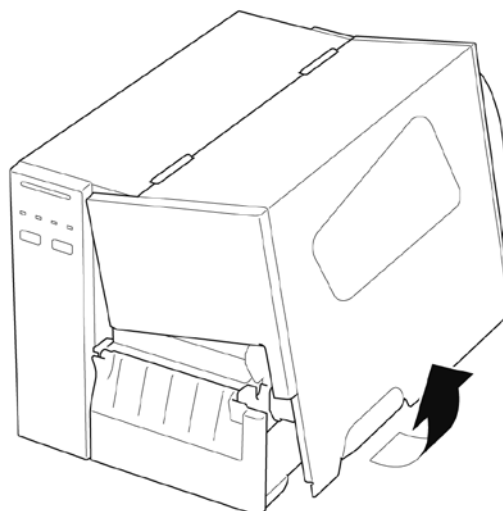


3.4.2 Load External Media

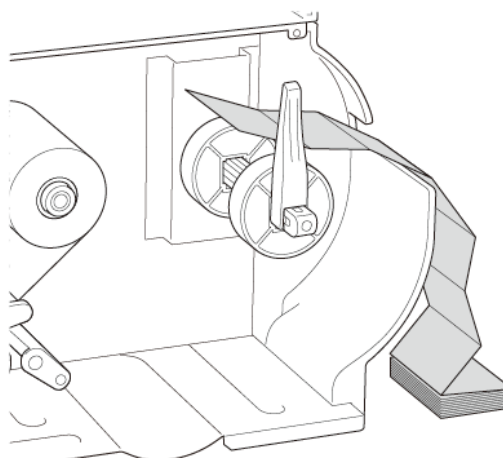
Fan-fold label loading path



1. Open the Media Cover.

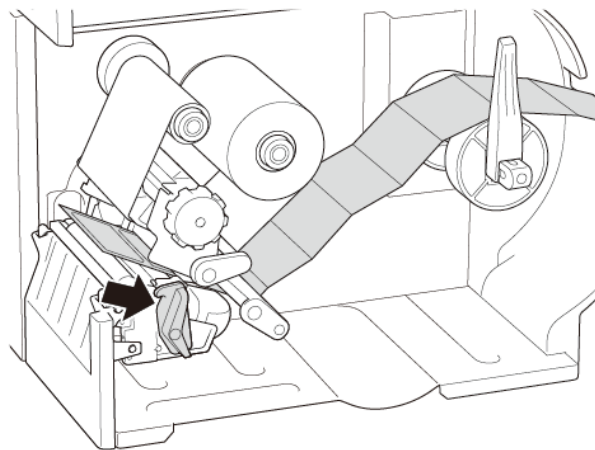


2. Insert the media through the External Label Entry Slot.

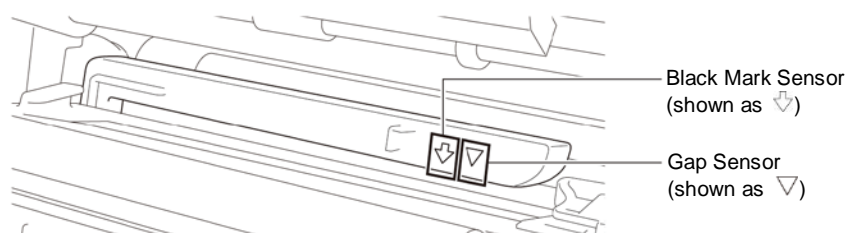


3. Push the Print Head Release Lever and thread the label through the Damper, Media Sensor, and Front Label Guide to install the media.

Align the Label Roll Guard with the label width.



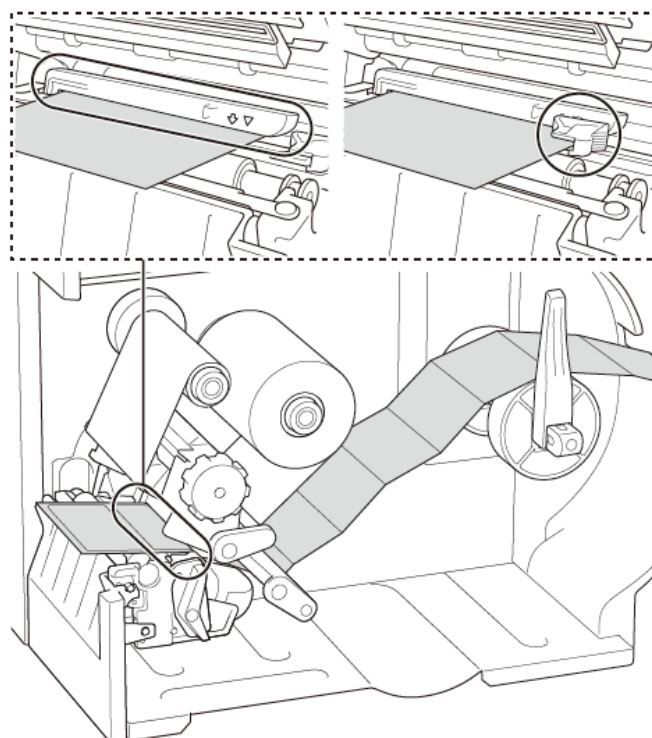
4. Move the Media Sensor by adjusting the Media Sensor Position Adjustment Knob. Make sure the position of the Gap or Black Mark Sensor matches the position of the Gap/Black Mark on the label.



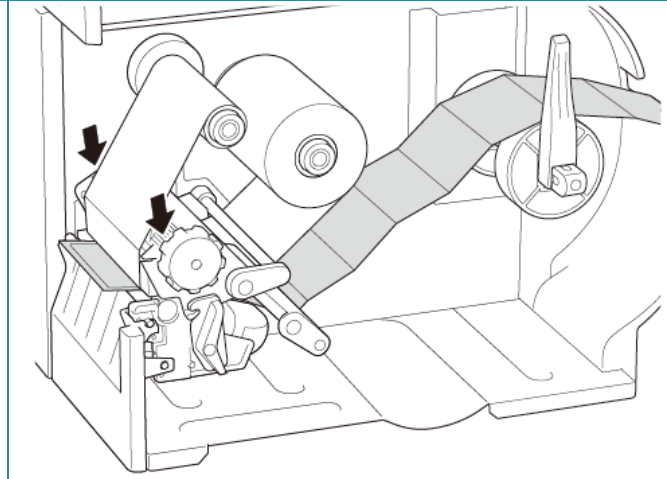
5. Adjust the Front Label Guide to fix the media position.

 **Note**

- Make sure you thread the media through the Media Sensor.
- The sensor locations are marked by the triangle mark ▽ (Gap Sensor) and the arrow mark ↴ (Black Mark Sensor) at the sensor housing.
- The Media Sensor position is adjustable. Make sure the position of the Gap or Black Mark Sensor matches the position of the Gap/Black Mark on the label.



6. Close the Print Head on both sides and make sure it locks into place.
7. Set the media sensor type and calibrate the selected sensor.

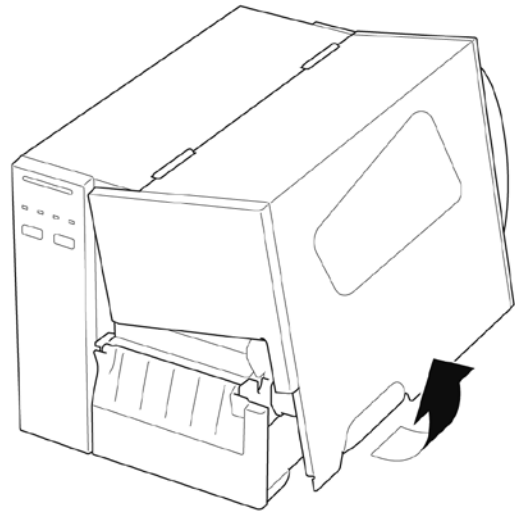


 **Note**

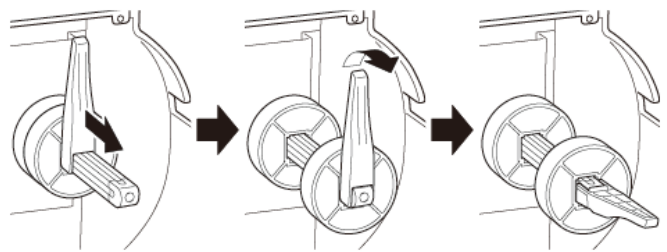
- Calibrate the Gap/Black Mark Sensor every time you change the media.
- For more information about sensor calibration, see section [8.2 Auto-Calibrating the Media Sensor using the BPM.](#)

3.4.3 Load the Media in Peeler Mode (Optional)

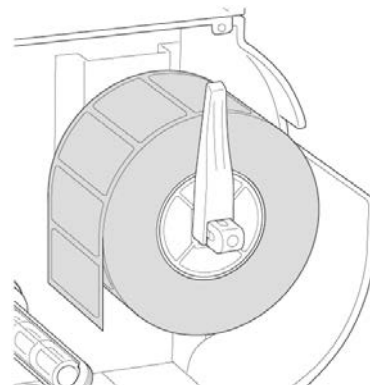
1. Open the Media Cover.



2. Slide the Label Roll Guard horizontally to the end of the Label Supply Spindle, and then flip down the Label Roll Guard.



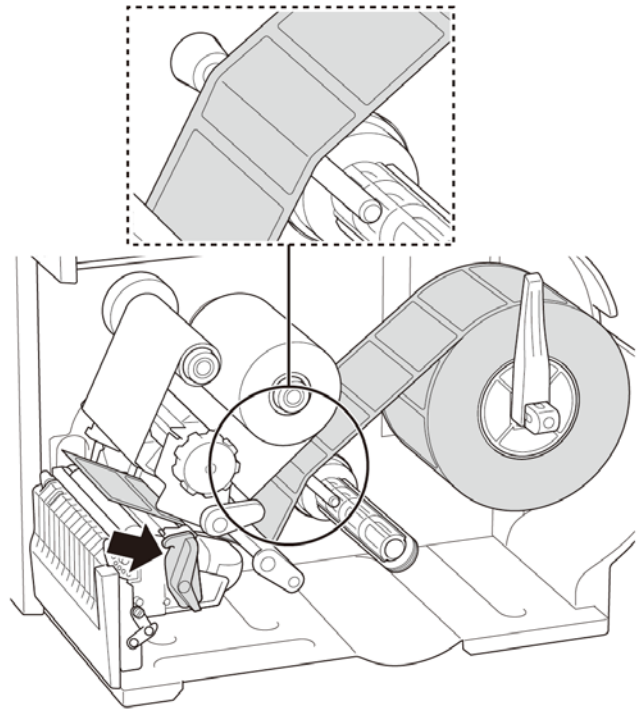
3. Place the label roll on the Label Supply Spindle and then flip the Label Roll Guard upwards to hold it in place.



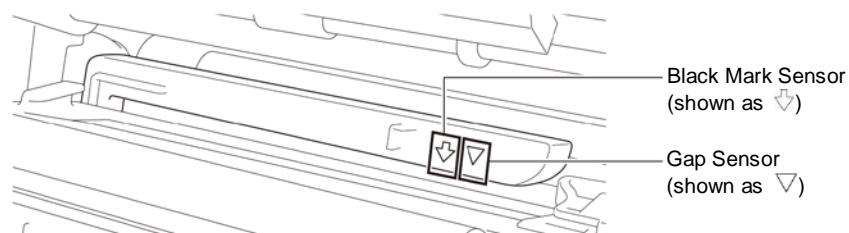
 **Note**

Make sure the label print side is facing up.

4. Push the Print Head Release Lever and thread the label through the Damper, Media Sensor, and Front Label Guide to install the media.



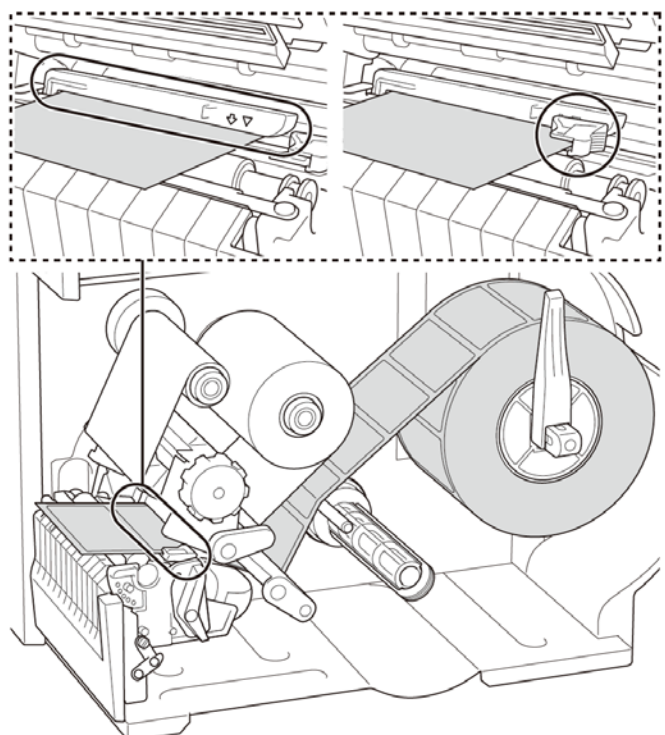
5. Move the Media Sensor by adjusting the Media Sensor Position Adjustment Knob. Make sure the position of the Gap or Black Mark Sensor matches the position of the Gap/Black Mark on the label roll.



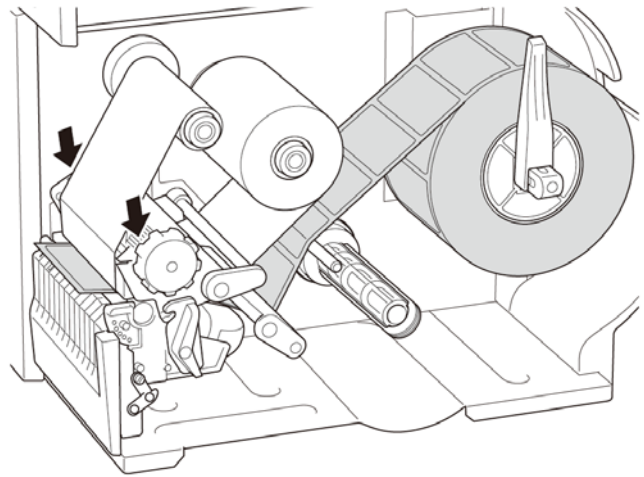
6. Adjust the Front Label Guide to fix the media position.

 **Note**

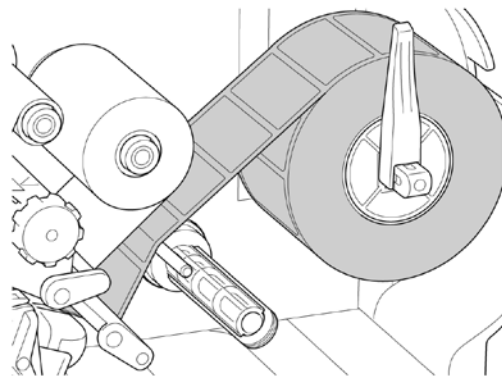
- Make sure you thread the media through the Media Sensor.
- The sensor locations are marked by the triangle mark ▾ (Gap Sensor) and the arrow mark ▿ (Black Mark Sensor) at the sensor housing.
- The Media Sensor position is adjustable. Make sure the position of the Gap or Black Mark Sensor matches the position of the Gap/Black Mark on the label roll.



7. Close the Print Head on both sides and make sure it locks into place.
8. Set the media sensor type and calibrate the selected sensor.



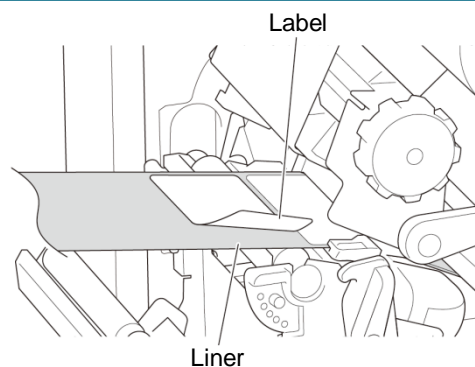
9. Use the Touchscreen to perform the calibration first, and set the printer mode to Peeler Mode.
For models without a Touchscreen, perform the calibration using the BPM.
For more information about sensor calibration, see section [8.2 Auto-Calibrating the Media Sensor using the BPM](#).



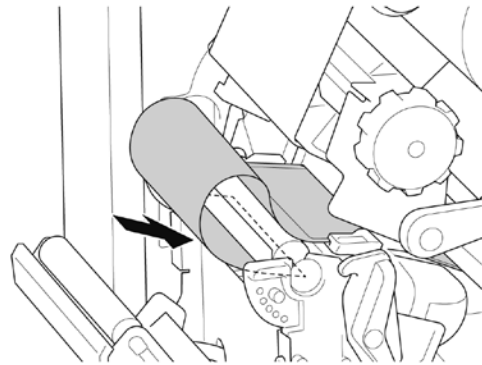
 **Note**

1. Calibrate the Gap/Black Mark Sensor before loading media in Peeler Mode to avoid paper jams.
2. Make sure you thread the label over the Media Guide Bar and under the Damper as shown.

10. Turn the Print Head Release Lever, and pull approximately 650 mm of the label roll through the Media Output Slot.
11. Remove some labels leaving only the liner.



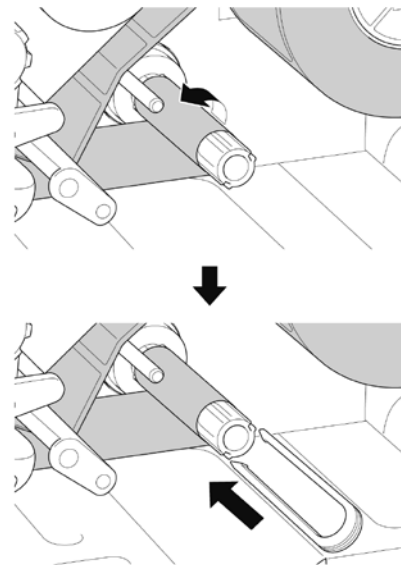
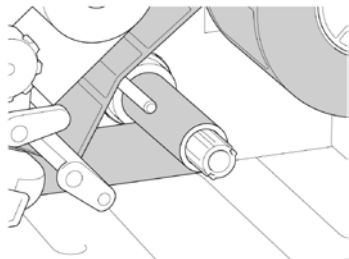
12. Thread the liner through the Label Peeler Cover Slot.



13. Pull the Liner Securing Clip out from the Liner Rewind Spindle, and wind the liner on the Liner Rewind Spindle until the liner is fully stretched.
14. Insert the Liner Securing Clip into the Liner Rewind Spindle.

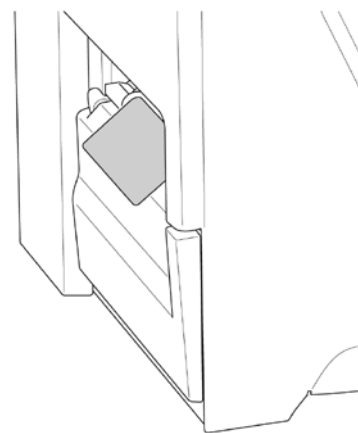
 **Note**

You can also install a paper roll on the Liner Rewind Spindle to wind the liner around the paper roll.



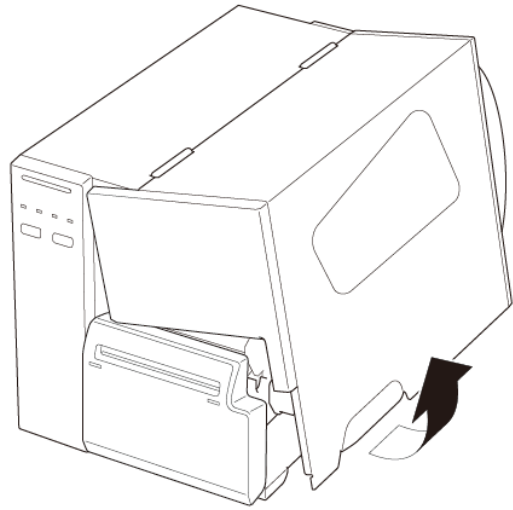
15. Lock the Print Head Release Lever and feed one label to test:

- For touchscreen models: Tap the Feed icon in the Main Menu.
- For non-touchscreen models: Press the **Feed** button.

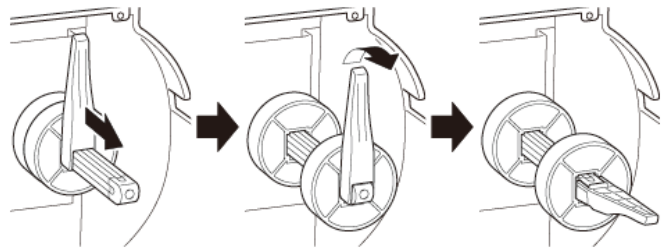


3.4.4 Load Media in Cutter Mode (Optional)

1. Open the Media Cover.



2. Slide the Label Roll Guard horizontally to the end of the Label Supply Spindle, and then flip down the Label Roll Guard.

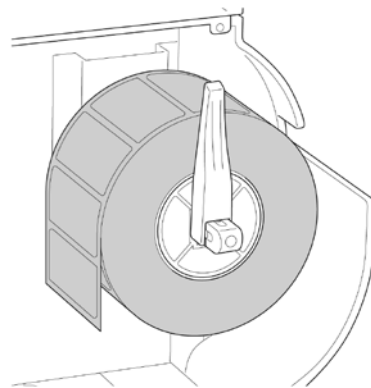


3. Place the label roll on the Label Supply Spindle and then flip the Label Roll Guard upwards to hold it in place.

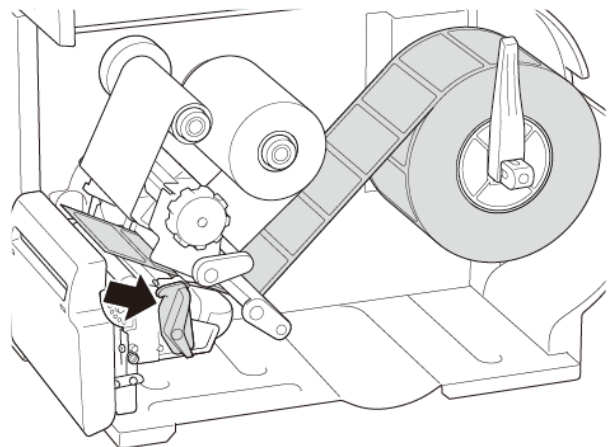


Note

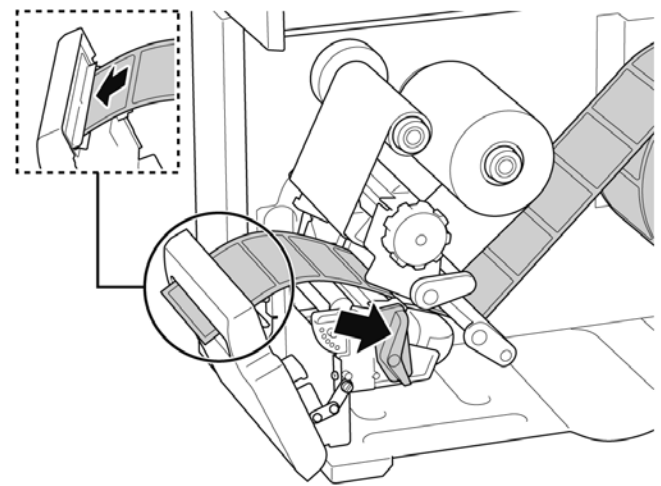
Make sure the label print side is facing up.



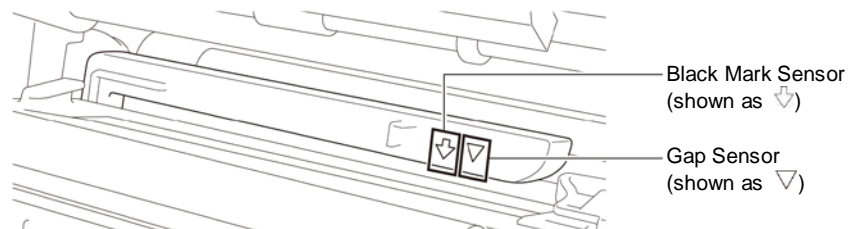
4. Push the Print Head Release Lever and thread the label through the Damper, Media Sensor, and Front Label Guide to install the media.



5. Feed the media through the Label Cutter Cover Slot.



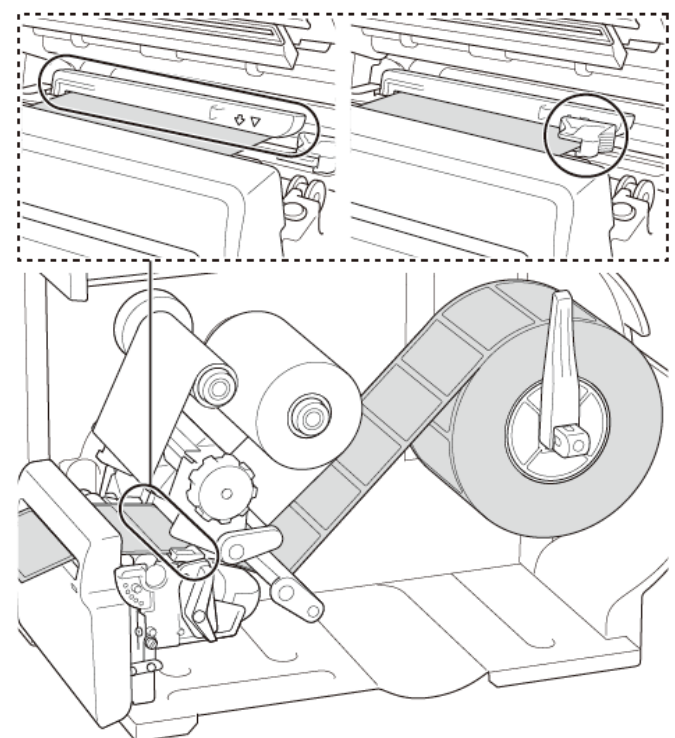
6. Move the Media Sensor by adjusting the Media Sensor Position Adjustment Knob. Make sure the position of the Gap or Black Mark Sensor matches the position of the Gap/Black Mark on the label roll.



7. Adjust the Front Label Guide to fix the media position.

 **Note**

- Make sure you thread the media through the Media Sensor.
- The sensor locations are marked by the triangle mark ▽ (Gap Sensor) and the arrow mark ↓ (Black Mark Sensor) at the sensor housing.
- The Media Sensor position is adjustable. Make sure the position of the Gap or Black Mark Sensor matches the position of the Gap/Black Mark on the label roll.

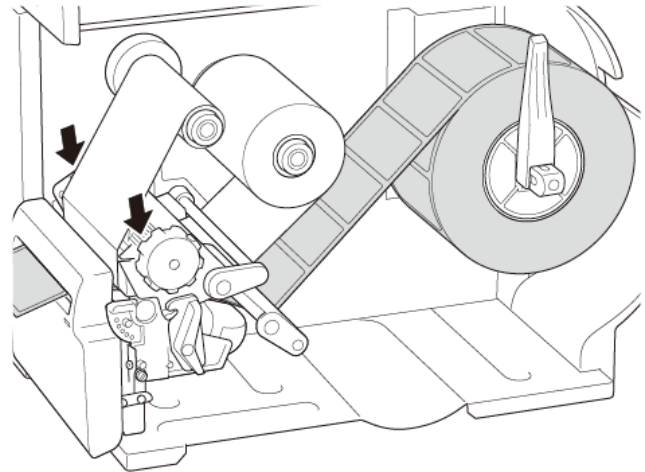


8. Close the Print Head on both sides and make sure it locks into place.
9. Set the media sensor type and calibrate the selected sensor.
10. Use the Touchscreen to perform the calibration first, and set the printer mode to Cutter Mode.

For models without a Touchscreen, perform the calibration using the BPM.

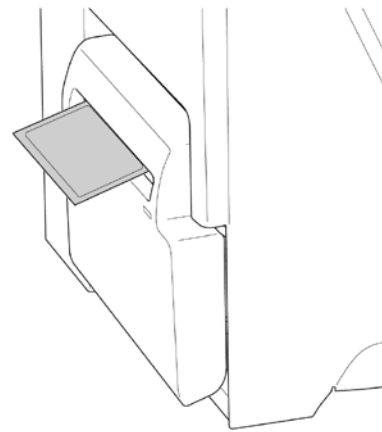
For more information about sensor calibration, see section

[8.2 Auto-Calibrating the Media Sensor using the BPM.](#)



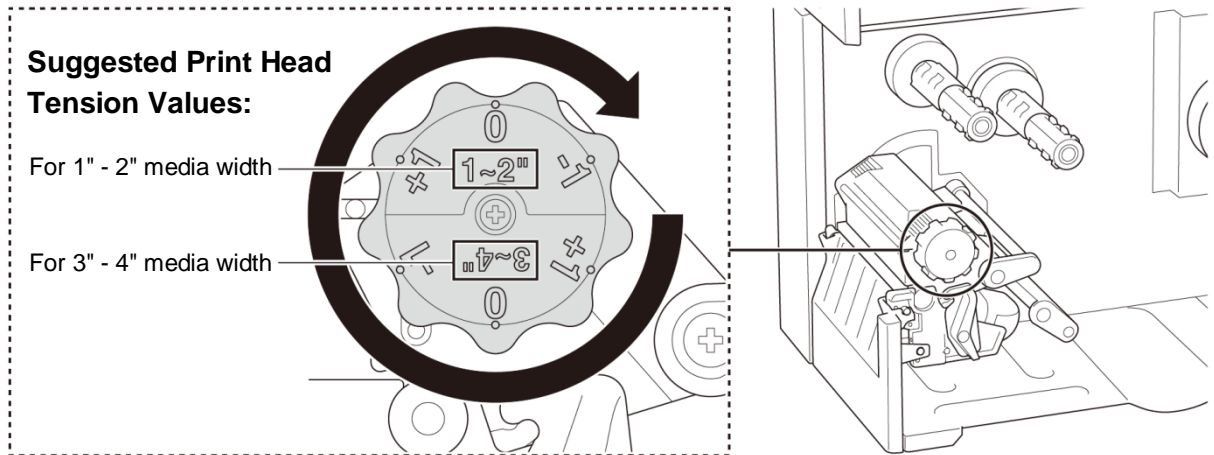
11. Close the Print Head and feed one label to test:

- For touchscreen models: Tap the Feed icon in the Main Menu.
- For non-touchscreen models: Press the **Feed** button.



4. Improve Print Quality

4.1 Adjust Print Head Tension to Improve Print Quality



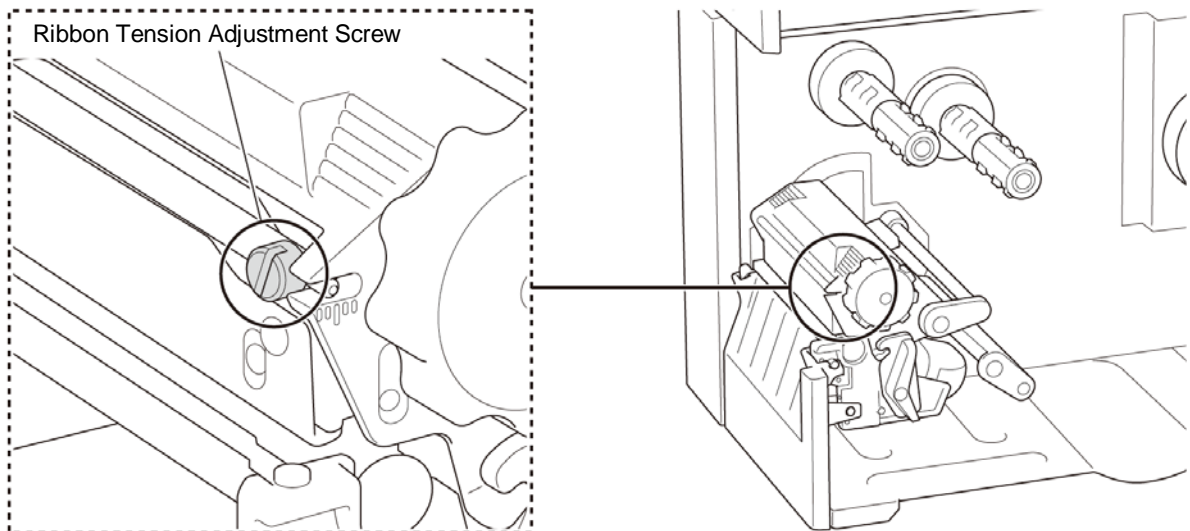
For the best print quality, adjust the Print Head using the Print Head Tension Adjustment Knob. Choose one of six levels of tension adjustment depending on the media width you use (1" - 2" or 3" - 4").



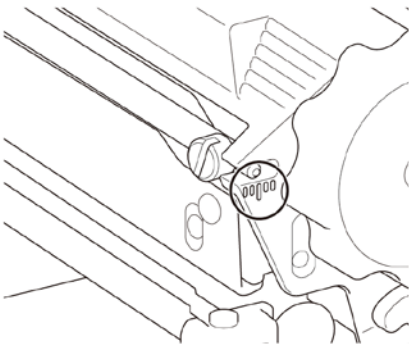
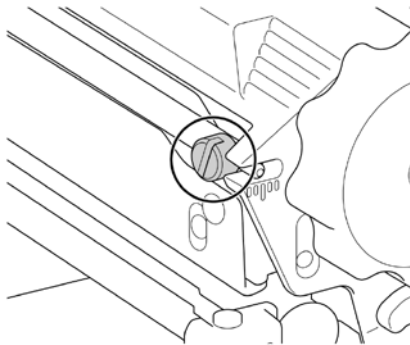
4.2 Avoid Wrinkled Labels

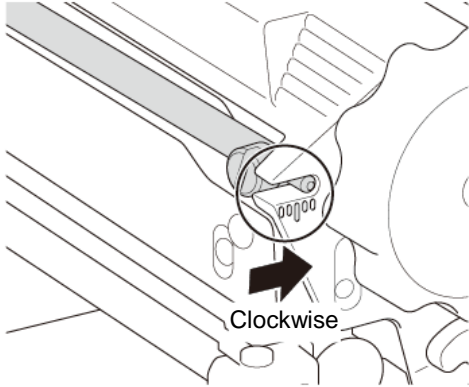
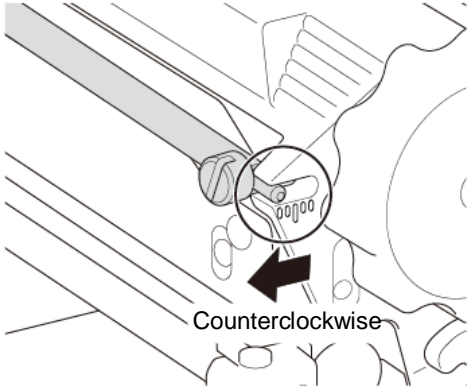
Wrinkles can occur due to many factors, including media width and thickness, Print Head pressure balance, ribbon film characteristics, and print density/darkness settings.

4.2.1 Adjust Ribbon Tension

To avoid wrinkled labels, adjust the ribbon tension using the Ribbon Tension Adjustment Screw. Choose one of five levels of tension adjustment.



<p>Description</p>	<p>The ribbon wrinkle occurs from the lower right to the upper left of the label.</p>	<p>The ribbon wrinkle occurs from the lower left to the upper right of the label.</p>
<p>Wrinkle Example</p>		
<p>Adjustable Printer Parts</p>	<p>The Ribbon Tension Adjustment Screw has five levels for adjustment. Use a flat blade screwdriver to change the ribbon tension level.</p>  <p>Ribbon Tension Adjustment Scale</p>	 <p>Ribbon Tension Adjustment Screw</p>

	<p>1. Turn the Ribbon Tension Adjustment Screw clockwise once per level on the Ribbon Tension Adjustment Scale and print the label again to check if the wrinkle is gone.</p>  <p>2. If the Ribbon Tension Adjustment Screw is positioned on the innermost side but the ribbon wrinkle has not improved, turn the Print Head Tension Adjustment Knob once per level at a time, print the label again, and check if the wrinkle is gone.</p>	<p>1. Turn the Ribbon Tension Adjustment Screw counterclockwise once per level on the Ribbon Tension Adjustment Scale and print the label again to check if the wrinkle is gone.</p>  <p>2. If the Ribbon Tension Adjustment Screw is positioned on the outermost side but the ribbon wrinkle has not improved, turn the Print Head Tension Adjustment Knob once per level at a time, print the label again, and check if the wrinkle is gone.</p>
--	--	--

4.2.2 Change the Print Density/Darkness Settings

 **Note**

For information about the print density/darkness, see sections [7.1.1 FBPL Settings](#) and [7.1.2 ZPL2 Settings](#).

4.2.3 Try Different Media

Make sure you load the correct paper.

 **Note**

For more information about the supported paper width and thickness, see section [10 Product Specifications](#).

 **Note**

If the wrinkles continue to occur, contact the product manufacturer's customer service or your local dealer for service.

5. Printing

5.1 Printer Driver Installation

 **Note**

The model name and serial number are located on the back of the printer.

Make sure you download the correct driver for your model:

- TJ-4020TN/TJ-4021TN/TJ-4021TNR: Brother TJ-40
 - TJ-4120TN/TJ-4121TN/TJ-4121TNR: Brother TJ-41
-

The driver installation method depends on the connection type:

- [USB Connection \(Windows/Mac/Linux\)](#)
- [Wi-Fi Network Connection \(Windows\)](#)
- [Wired Network Connection \(Windows\)](#)

5.1.1 USB Connection (Windows/Mac/Linux)

 **Note**

Mac/Linux Users

For more information about driver installation, see the driver installation guide provided with the driver.

1. Connect your printer to the computer using a USB cable.
2. Visit support.brother.com, go to your model's **Downloads** page, and download the latest printer driver and software.
3. Run the Seagull Driver Wizard application and select **Install printer drivers** and **USB**.
4. Follow the on-screen instructions.

 **Note**

If you cannot install the printer driver:

- Install the printer driver manually:
In the Seagull Driver Wizard application, select **Install printer drivers > Others**.
 - Remove the printer drivers:
In the Seagull Driver Wizard application, select **Remove printer drivers > Automatically remove all Drivers by Seagull** or **Use advanced printer driver removal options**.
 - Reset the printer settings:
Start the BPM, and then click **Printer Function > Factory Default**.
-

5.1.2 Wi-Fi Network Connection (Windows)

 **Note**

To use Wi-Fi, an optional WLAN Interface (PA-WI-002) is required.

Make sure both your wireless router/access point's and your printer's network settings are correctly set up. For more information, see the documentation provided with your wireless router/access point, or contact the router manufacturer, your system administrator, or Internet service provider.

1. Configure the network settings:
 - Using the BPM
 - a. Connect your printer to the computer using a USB cable.
 - b. Click **Printer Configuration > Wi-Fi**.
 - c. Specify **SSID, Encryption**, and **Key** (Network Password), and then click **Set**.
 - d. Click **Get**.
 - e. Click **Printer Function > Configuration Page**.
The network settings are printed. Confirm that the printer's IP address is correct.
 - Using the Touchscreen
 - a. Select **Interface > Wi-Fi**.
 - b. Specify **SSID, Security**, and **Password**.
 - c. When finished, the Wi-Fi icon and printer's IP address appear on the Touchscreen.
2. Visit support.brother.com, go to your model's **Downloads** page, and download the latest printer driver and software.
3. Run the Seagull Driver Wizard application and select **Install printer drivers** and **Network**.
4. Select your printer, and then click **Next**.
5. If your TCP/IP port does not appear in the list, click **Create port** and select **Standard TCP/IP port > New Port**.
6. Type your printer's IP address and port name, and then click **Next**.
7. Click **Finish**.
8. Return to the **Specify Port** window and select the port you created.
9. Follow the on-screen instructions.

 **Note**

If you cannot install the printer driver:

- Remove the printer drivers:
In the Seagull Driver Wizard application, select **Remove printer drivers > Automatically remove all Drivers by Seagull** or **Use advanced printer driver removal options**.
 - Reset the printer settings:
Start the BPM, and then click **Printer Function > Factory Default**.
-

5.1.3 Wired Network Connection (Windows)

1. Connect both the printer and the computer to your router/access point using LAN cables. The printer automatically receives a default IP address and displays it on the Touchscreen. For models without a Touchscreen, this can be confirmed using the BPM.
2. Visit support.brother.com, go to your model's **Downloads** page, and download the latest printer driver and software.
3. Run the Seagull Driver Wizard application and select **Install printer drivers** and **Network**.
4. Select your printer, and then click **Next**.
5. If your TCP/IP port does not appear in the list, click **Create port** and select **Standard TCP/IP port > New Port**.
6. Type your printer's IP address and port name, and then click **Next**.
7. Click **Finish**.
8. Return to the **Specify Port** window and select the port you created.
9. Follow the on-screen instructions.



Note

If you cannot install the printer driver:

- Remove the printer drivers:
In the Seagull Driver Wizard application, select **Remove printer drivers > Automatically remove all Drivers by Seagull** or **Use advanced printer driver removal options**.
 - Reset the printer settings:
Start the BPM, and then click **Printer Function > Factory Default**.
-

5.2 Create and Print Labels Using BarTender

BarTender is a label creation tool, which can be downloaded for free from the product's page at support.brother.com.

1. Launch BarTender.

- For Windows 10, Windows Server 2016, or Windows Server 2019:

Start > BarTender 2016 R7 UltraLite > click BarTender UltraLite, or double-click the **BarTender UltraLite** icon on the desktop.

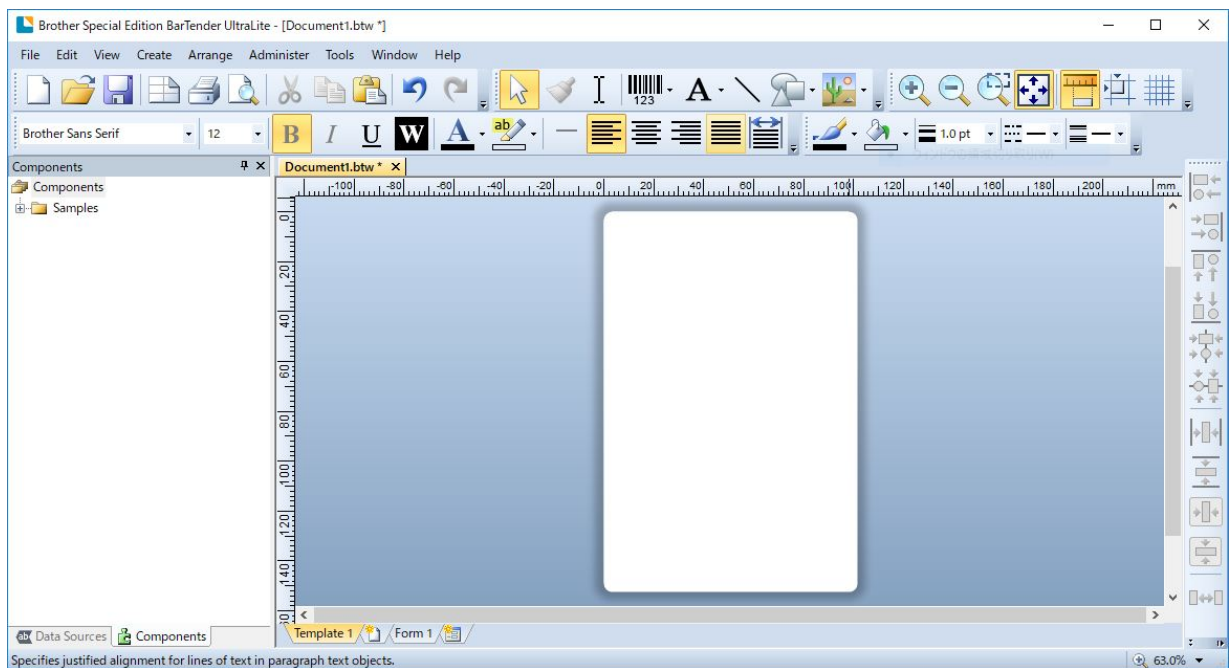
- For Windows 8.1, Windows Server 2012, or Windows Server 2012 R2:

Click **BarTender UltraLite** on the application screen, or double-click the **BarTender UltraLite** icon on the desktop.

- For Windows 7:

Start > All Programs > BarTender 2016 R7 UltraLite > click BarTender UltraLite, or double-click the **BarTender UltraLite** icon on the desktop.

2. Follow the on-screen steps to create a label.



Note

For more information on using BarTender, click **Help**.

3. Click **File > Print** to print the label.


6. Operation

6.1 Power-on Utilities

There are various power-on utilities to set up and test the printer's functions.

TJ-4020TN/TJ-4120TN

Use the power-on utilities to calibrate sensors and initialize the hardware.

Function	Instructions
Gap/Black Mark Sensor Calibration	<ol style="list-style-type: none">1. Turn off the printer.2. Press and hold the Pause Button, and then turn on the Power Switch.3. Release the button when the Power LED lights, and the printer feed the labels.
Self-test	<ol style="list-style-type: none">1. Turn off the printer.2. Press and hold the Feed Button, and then turn on the Power Switch.3. Release the button when the Power LED lights, and the printer feeds the labels.
Printer initialization	<ol style="list-style-type: none">1. Turn off the printer.2. Press and hold both the Pause and Feed Buttons, and then turn on the Power Switch.3. Release the buttons when the Power LED lights. <hr/> <p> Note When printer initialization is complete, calibrate the Gap Sensor again.</p> <hr/>

TJ-4021TN/TJ-4021TNR/TJ-4121TN/TJ-4121TNR

Use power-on utilities to set sensor calibration, self-test, and factory default functions.

1. Turn off the label printer.
2. Press and hold the right **Selection** button, and then turn on the Power Switch.
3. Release the button when the function you want to set or test appears on the Touchscreen.

Power-On Utility		Power LED Patterns						
Function	LED color	Amber (Lit)	Red (Blinks five times)	Amber (Blinks five times)	Green (Blinks five times)	Green/ Amber (Blinks five times)	Red/Amber (Blinks five times)	Green (Lit)
1. Sensor Calibration (Gap / black mark sensor)			✓					
2. Self-test (And enter Dump Mode)				✓				
3. Factory Default					✓			
4. Bline Calibration						✓		
5. Gap Calibration							✓	
6. READY (Skip AUTO.BAS)								✓

6.1.1 Ribbon and Gap/Black Mark Sensor Calibration

Calibrate the Gap/Black Mark Sensor sensitivity when:

- You purchase a new printer.
- You change label stock.
- The label printer initializes.

To calibrate the Ribbon and Gap/Black Mark Sensors:

1. Turn off the printer.
2. Select the function you want:
 - For TJ-4020TN/TJ-4120TN:
 - a. Press and hold the **Pause** button, and then turn on the Power Switch.
 - b. Release the button when the Power LED lights, and the printer feeds the labels.
 - For TJ-4021TN/TJ-4021TNR/TJ-4121TN/TJ-4121TNR:
 - a. Press and hold the right **Selection** button, and then turn on the Power Switch.
 - b. Release the button when **Sensor Calibration** appears on the Touchscreen.

 **Note**

- The LED color will change as follows:
Amber (lit) → **red (5 times)** → amber (5 times) → green (5 times) → green/amber (5 times) → red/amber (5 times) → green (lit)

- To select the sensor for calibration, send the correct command to the printer:
 - For the Gap Sensor: send the GAP command
 - For the Black Mark Sensor: send the BLINE commandFor more information about the available commands, see the *FBPL Command Reference* on your model's **Manuals** page at support.brother.com.
-

6.1.2 Gap/Black Mark Sensor Calibration, Self-Test, and Entering Dump Mode

Calibrate the Gap or Black Mark Sensor if the sensor's settings used in the last print job are not suitable for the current print job. During the calibration of the Gap/Black Mark Sensor, the printer detects the label length, prints the internal configuration (self-test), and then enters Dump Mode.

To calibrate the Gap/Black Mark Sensor:

1. Turn off the printer.
2. Select the function you want:
 - For TJ-4020TN/TJ-4120TN:
 - a. Press and hold the **Feed** button, and then turn on the printer.
 - b. Release the button when the Power LED lights, and the printer feeds the labels.
 - For TJ-4021TN/TJ-4021TNR/TJ-4121TN/TJ-4121TNR:
 - a. Press and hold the right **Selection** button, and then turn on the Power Switch.
 - b. Release the button when **Self-test** appears on the Touchscreen.

Note

The LED color will change as follows:

Amber (lit) → red (5 times) → **amber (5 times)** → green (5 times) → green/amber (5 times) → red/amber (5 times) → green (lit)

3. The printer calibrates the sensor and detects the label length, prints the internal settings, and then enters Dump Mode.

 **Note**

To select the sensor for calibration, send the correct command to the printer:

- For the Gap Sensor: send the GAP command
- For the Black Mark Sensor: send the BLINE command

For more information about the available commands, see the *FBPL Command Reference* on your model's **Manuals** page at support.brother.com.

■ Self-test

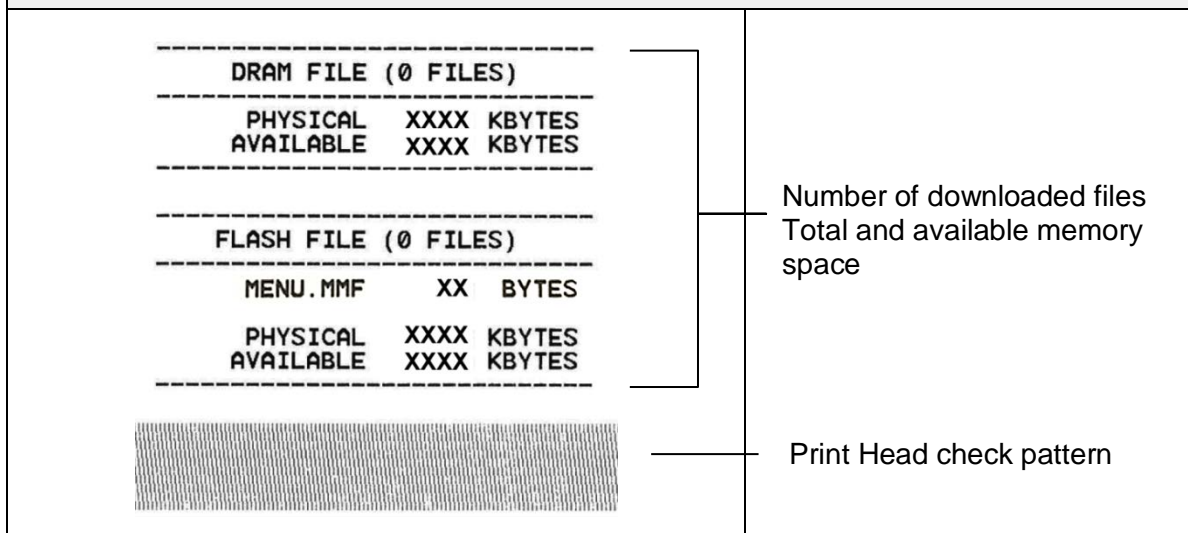
Print the printer configuration after you run Gap/Black Mark Sensor calibration. The self-test printout lists the printer's configuration and available memory, and can indicate if there is any dot damage on the heater component.

Self-test printout	
<pre>----- SYSTEM INFORMATION ----- MODEL: XXXXXX FIRMWARE: X.XX CHECKSUM: XXXXXXXX S/N: XXXXXXXXXXXX TCF: NO DATE: 1970/01/01 TIME: 00:04:18 NON-RESET: 110 m (TPH) RESET: 110 m (TPH) NON-RESET: 0 (CUT) RESET: 0 (CUT) -----</pre>	<p>Model name</p> <p>Firmware version</p> <p>Firmware checksum</p> <p>Printer serial number</p> <p>Configuration file</p> <p>System date</p> <p>System time</p> <p>Printed mileage (meter)</p> <p>Cutting counter</p>
<pre>----- PRINTING SETTING ----- SPEED: 5 IPS DENSITY: 8.0 WIDTH: 4.00 INCH HEIGHT: 4.00 INCH GAP: 0.00 INCH INTENSION: 5 CODEPAGE: 850 COUNTRY: 001 -----</pre>	<p>Print speed (inch/sec)</p> <p>Print density</p> <p>Label size (inch)</p> <p>Gap distance (inch)</p> <p>Gap/Black Mark Sensor sensitivity</p> <p>Code page</p> <p>Country code</p>

Self-test printout

<pre> ----- Z SETTING ----- DARKNESS: 16.0 SPEED: 4 IPS WIDTH: 4.00 INCH TILDE: 7EH (~) CARET: 5EH (^) DELIMITER: 2CH (,) POWER UP: NO MOTION HEAD CLOSE: NO MOTION ----- </pre>	<p>Print darkness Print speed (inch/sec) Label size Control prefix Format prefix Delimiter prefix Printer power up motion Print Head close motion</p>
<pre> ----- RS232 SETTING ----- BAUD: 9600 PARITY: NONE DATA BIT: 8 STOP BIT: 1 ----- </pre>	<p>RS232 Serial Port configuration</p>
<pre> ----- RFID SETTING ----- RFID FREQ: European Union 3 ----- </pre>	<p>RFID frequency band region</p>
<pre> ----- ETHERNET SETTING ----- NAME: XXXXX MAC ADDR: XXXXX DHCP: ON IP ADDR: 0.0.0.0 SUBNET: 0.0.0.0 GATEWAY: 0.0.0.0 PORT: 9100 ----- </pre>	<p>Printer name Mac Address DHCP IP Address Subnet Mask Gateway RAW Port</p>
<pre> ----- WIFI SETTING ----- APP VERSION: 3.5.1.0R3 MAC ADDRESS: 00:80:A3:D9:1D:CE Region: United States SSID: DHCP ENABLED: YES IP ADDRESS: SUBNET MASK: 0.0.0.0 GATEWAY: PRINTER NAME: PS-D91DCD RAW PORT: 9100 ----- </pre>	<p>Wi-Fi configuration</p>

Self-test printout



■ Dump Mode

Note

- Dump Mode requires 101.5 mm wide paper.
- To resume normal printing, turn the printer off and then on again.

The printer enters Dump Mode after printing the printer configuration. Dump Mode allows users to verify and debug the printer's programs. The characters in the left column are received from the printer's system and those in the right column are their hexadecimal representation.

ASCII data	→	<pre> SPEED 2.0 53 60 45 45 44 20 32 2E 30 0D DENSITY 8 0A 44 45 4E 53 49 54 59 20 38 SET PEEL 0D 0A 53 45 54 20 50 45 45 4C OFF DIRE 20 4F 46 46 0D 0A 44 49 52 45 CTION 0 G 43 54 49 4F 4E 20 30 0D 0A 47 AP 3.00 mm 41 50 20 33 2E 30 30 20 6D 6D .0.00 mm 2C 30 2E 30 30 20 6D 6D 0D 0A REFERENCE 52 45 46 45 52 45 4E 43 45 20 0.0 SET C 30 2C 30 0D 0A 53 45 54 20 43 LITTER OFF 55 54 54 45 52 20 4F 46 46 0D SIZE 100. 0A 53 49 5A 45 20 31 30 30 2E 02 mm.65.0 30 32 20 6D 6D 2C 36 35 2E 30 4 mm CLS 34 20 6D 6D 0D 0A 43 4C 53 0D BARCODE 1 0A 42 41 52 43 4F 44 45 20 31 44,149,"39 34 34 2C 31 34 39 2C 22 33 39 ",120,1,0, 22 2C 31 32 30 2C 31 2C 30 2C 2.6,"57114 32 2C 36 2C 22 35 37 31 31 34 3BT" PRIN 33 38 54 22 0D 0A 50 52 49 4E T 1.1 SPE 54 20 31 2C 31 0D 0A 53 50 45 ED 2.0 DE 45 44 20 32 2E 30 0D 0A 44 45 NSITY 8 S 4E 53 49 54 59 20 38 0D 0A 53 </pre>	←	Hexadecimal representation of the ASCII data
		<pre> ET PEEL OF 45 54 20 50 45 45 4C 20 4F 46 F DIRECTI 46 0D 0A 44 49 52 45 43 54 49 ON 0 GAP 4F 4E 20 30 0D 0A 47 41 50 20 3.00 mm,0, 33 2E 30 30 20 6D 6D 2C 30 2E 00 mm REF 30 30 20 6D 6D 0D 0A 52 45 46 ERENCE 0.0 45 52 45 4E 43 45 20 30 2C 30 SET CUTT 0D 0A 53 45 54 20 43 55 54 54 ER OFF SI 45 52 20 4F 46 46 0D 0A 53 49 ZE 100.02 5A 45 20 31 30 30 2E 30 32 20 mm,65.04 m 0D 6D 2C 36 35 2E 30 34 20 6D m CLS SA 6D 0D 0A 43 4C 53 0D 0A 42 41 RCODE 144. 52 43 4F 44 45 20 31 34 34 2C 149,"39",1 31 34 39 2C 22 33 39 22 2C 31 20,1,0,2.0 32 30 2C 31 2C 30 2C 32 2C 36 ,"571143BT 2C 22 35 37 31 31 34 33 38 54 PRINT 1 22 0D 0A 50 52 49 4E 54 20 31 .1 2C 31 0D 0A </pre>		

6.1.3 Printer Initialization

Printer initialization clears the printer's DRAM and restores its factory settings.

1. Turn off the printer.
2. Select the function you want:
 - For TJ-4020TN/TJ-4120TN:
 - a. Press and hold the **Pause** and **Feed** button, and then turn on the printer.
 - b. Release the button when the Power LED lights on.
 - For TJ-4021TN/TJ-4021TNR/TJ-4121TN/TJ-4121TNR:
 - a. Press and hold the right **Selection** button, and then turn on the Power Switch.
 - b. Release the button when **Factory Default** appears on the Touchscreen.

 **Note**

The LED color will change as follows:

Amber (lit) → red (5 times) → amber (5 times) → **green (5 times)** → green/amber (5 times) → red/amber (5 times) → green (lit)

After the initialization, the following factory settings will be restored:

Parameter	Default setting
Speed	127 mm/sec (5 ips) (203 DPI) 76 mm/sec (3 ips) (300 DPI)
Density	8
Label Width	101.5 mm
Label Height	101.5 mm
Sensor Type	Gap sensor: TJ-4020TN, TJ-4021TN, TJ-4120TN, TJ-4121TN Black sensor: TJ-4021TNR, TJ-4121TNR
Gap Setting	3 mm
Print Direction	0
Reference Point	0,0 (upper left corner)
Offset	0
Tear Mode	On
Peeler Mode	Off
Cutter Mode	Off
Rewinder Mode	Off
Code Page	850
Country Code	001
Clear Flash Memory	No

6.1.4 Media Sensor Calibration (for the Black Mark Sensor)

1. Turn off the printer.
2. Select the function you want:
 - For TJ-4020TN/TJ-4120TN:

The printer calibrates the Gap Sensor and the Black Mark Sensor simultaneously.

 - a. Press and hold the **Pause** button, and then turn on the printer.
 - b. Release the button when the Power LED lights, and the printer feeds the labels.
 - For TJ-4021TN/TJ-4021TNR/TJ-4121TN/TJ-4121TNR:
 - a. Press and hold the right **Selection** button, and then turn on the Power Switch.
 - b. Release the button when **Bline Calibration** appears on the Touchscreen.

 **Note**

The LED color will change as follows:

Amber (lit) → red (5 times) → amber (5 times) → green (5 times) → **green/amber (5 times)** → red/amber (5 times) → green (lit)

6.1.5 Media Sensor Calibration (for the Gap Sensor)

1. Turn off the printer.
2. Select the function you want:
 - For TJ-4020TN/TJ-4120TN:

The printer calibrates the Gap Sensor and the Black Mark Sensor simultaneously.

 - a. Press and hold the **Pause** button, and then turn on the printer.
 - b. Release the button when the Power LED lights, and the printer feeds the labels.
 - For TJ-4021TN/TJ-4021TNR/TJ-4121TN/TJ-4121TNR:
 - a. Press and hold the right **Selection** button, and then turn on the Power Switch.
 - b. Release the button when **Gap Calibration** appears on the Touchscreen.

 **Note**

The LED color will change as follows:

Amber (lit) → red (5 times) → amber (5 times) → green (5 times) → green/amber (5 times) → **red/amber (5 times)** → green (lit)

6.1.6 Skip the AUTO.BAS Program

You can upload the AUTO.BAS program to the printer's flash memory so that it runs automatically at startup, but if you do not want it to run automatically, follow these steps:

1. Turn off the printer.
2. Select the function you want:
 - For TJ-4020TN/TJ-4120TN:
Press and hold the **Pause** and **Feed** buttons, and then turn on the printer.
 - For TJ-4021TN/TJ-4021TNR/TJ-4121TN/TJ-4121TNR:
 - a. Press and hold the right **Selection** button, and then turn on the Power Switch.
 - b. Release the button when **READY (Skip AUTO.BAS)** appears on the Touchscreen.

 **Note**

The LED color will change in the following order:


Amber (lit) → red (5 times) → amber (5 times) → green (5 times) → green/amber (5 times) → red/amber (5 times) → **green (lit)**

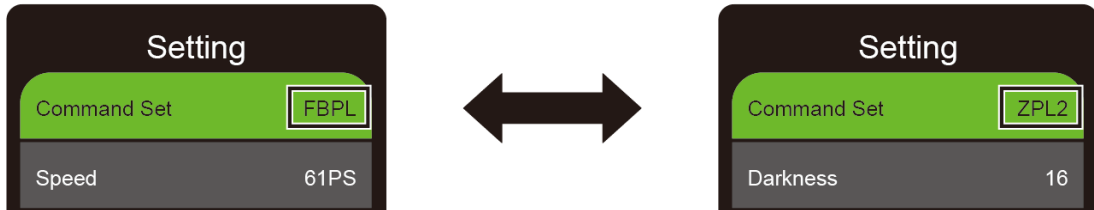
3. The printer will start without running the AUTO.BAS program.

7. Change Printer Settings using the Touchscreen

(Available for TJ-4021TN/4021TNR/4121TN/4121TNR only.)

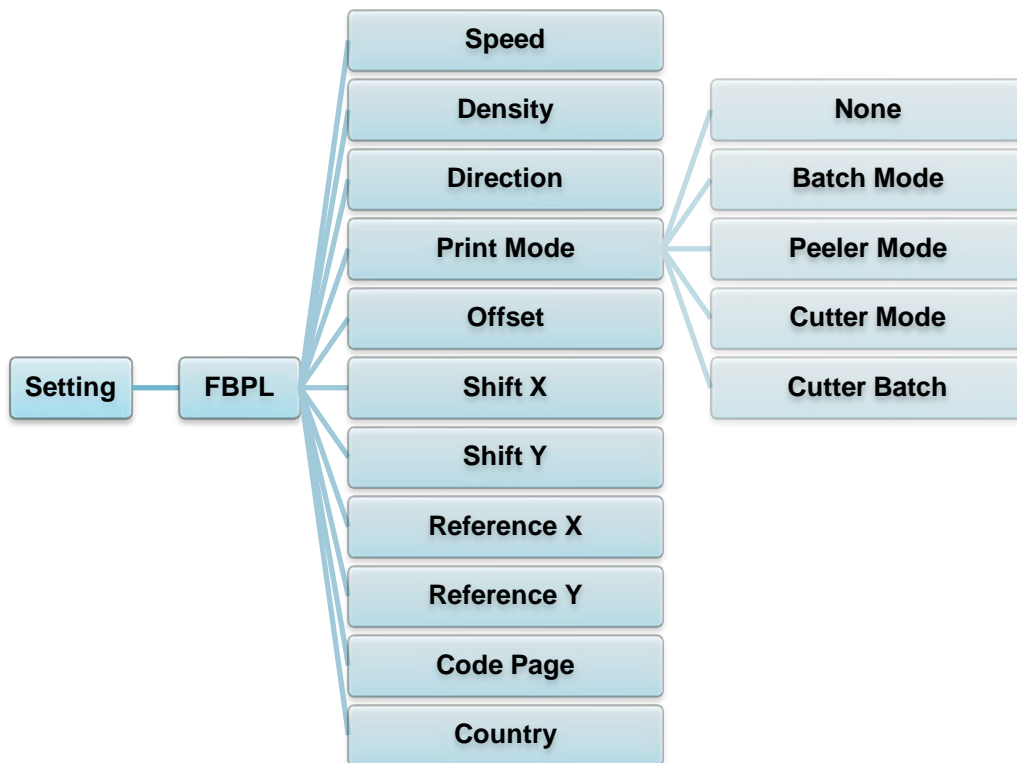
7.1 Setting Menu

1. In the Main Menu, tap **Setting**.
2. Tap **Command Set**, and then select the programming language you want.
3. Tap the  icon.



7.1.1 FBPL Settings

Available FBPL settings:



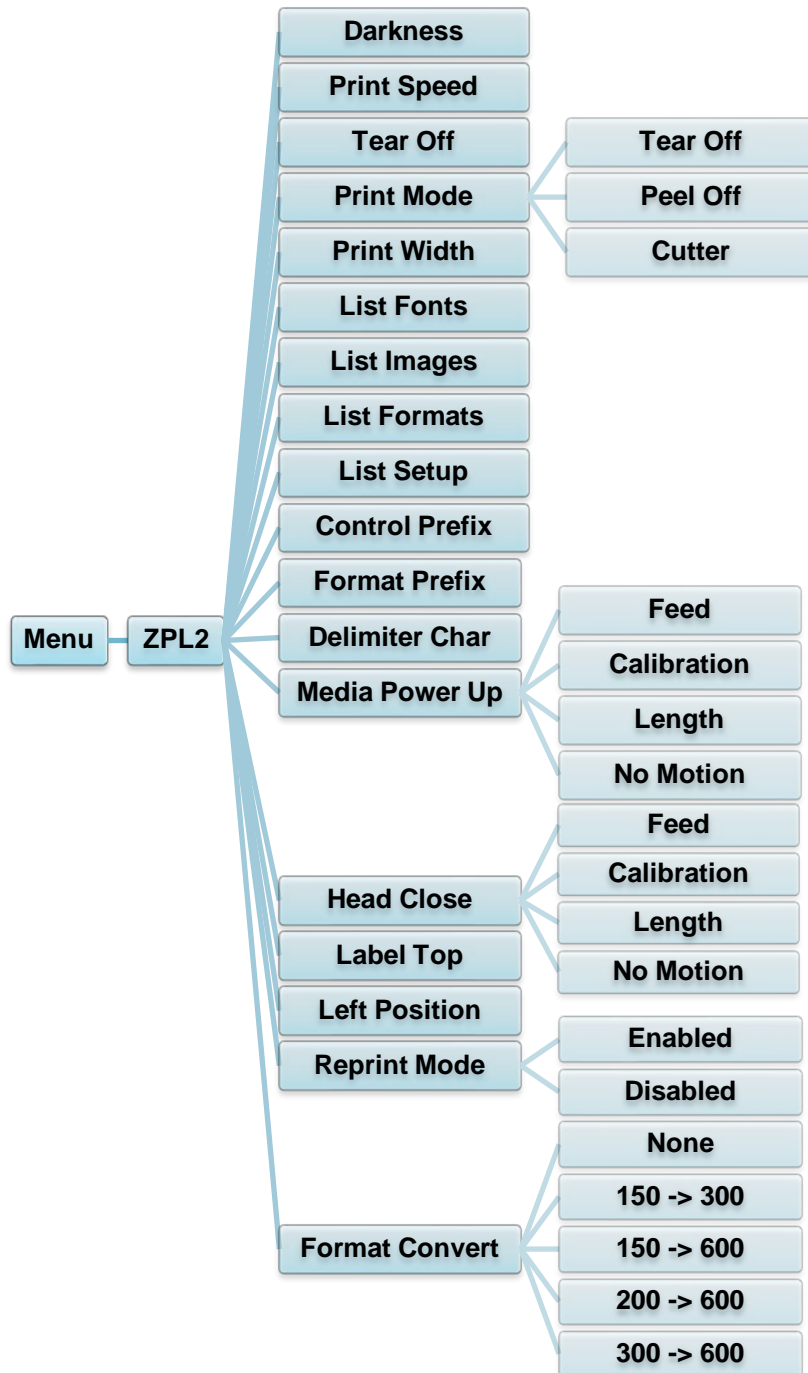
Setting	Description												
Speed	Set up the print speed. Settings range from: <ul style="list-style-type: none"> • 1 - 10 for 203 dpi (Default: 5) • 1 - 7 for 300 dpi (Default: 3) 												
Density	Adjust the print darkness/lightness. Settings range from 0 to 15. You may need to adjust the print density based on the media.												
Direction	Specify print direction. <div style="border: 1px solid black; padding: 5px; margin: 10px 0;"> <table border="1" style="width: 100%; text-align: center;"> <thead> <tr> <th style="width: 50%;">DIRECTION 0</th> <th style="width: 50%;">DIRECTION 1</th> </tr> </thead> <tbody> <tr> <td style="width: 50%; height: 50px; vertical-align: middle;">Direction</td> <td style="width: 50%; height: 50px; vertical-align: middle;">Direction</td> </tr> </tbody> </table> </div>	DIRECTION 0	DIRECTION 1	Direction	Direction								
DIRECTION 0	DIRECTION 1												
Direction	Direction												
Print Mode	Set the Print Mode. <table border="1" style="width: 100%; margin-top: 10px;"> <thead> <tr> <th>Print Mode</th> <th>Description</th> </tr> </thead> <tbody> <tr> <td>None</td> <td>The top of the next label is aligned with the Print Head burn line (Tear Off Mode).</td> </tr> <tr> <td>Batch Mode</td> <td>When the image is printed, the Gap/Black Mark is fed through the tear plate for tear away.</td> </tr> <tr> <td>Peeler Mode</td> <td>Enables label Peeler Mode.</td> </tr> <tr> <td>Cutter Mode</td> <td>Enables label Cutter Mode.</td> </tr> <tr> <td>Cutter Batch</td> <td>Cuts the label once at the end of the printing job.</td> </tr> </tbody> </table>	Print Mode	Description	None	The top of the next label is aligned with the Print Head burn line (Tear Off Mode).	Batch Mode	When the image is printed, the Gap/Black Mark is fed through the tear plate for tear away.	Peeler Mode	Enables label Peeler Mode.	Cutter Mode	Enables label Cutter Mode.	Cutter Batch	Cuts the label once at the end of the printing job.
Print Mode	Description												
None	The top of the next label is aligned with the Print Head burn line (Tear Off Mode).												
Batch Mode	When the image is printed, the Gap/Black Mark is fed through the tear plate for tear away.												
Peeler Mode	Enables label Peeler Mode.												
Cutter Mode	Enables label Cutter Mode.												
Cutter Batch	Cuts the label once at the end of the printing job.												
Offset	Fine-tune the media stop location. Settings range from -999 dots to 999 dots.												
Shift X	Fine-tune the print position. Settings range from -999 dots to 999 dots.												
Shift Y													
Reference X	Set the origin of the printer coordinate system horizontally and vertically. Settings range from 0 dots to 999 dots.												
Reference Y													
Code Page	Set the international character set code page.												
Country	Set the country code. Settings range from 1 to 358.												

Note

If printing from the downloaded software/driver, the software/driver commands will overwrite the settings set from the Touchscreen.

7.1.2 ZPL2 Settings

Available ZPL2 settings:



Setting	Description										
Darkness	Set up the print darkness. Settings range from 0 to 30. You may need to adjust the print density based on the selected media.										
Print Speed	Set up the print speed. Settings range from: <ul style="list-style-type: none"> • 2 - 10 for 203 dpi (Default: 4) • 2 - 7 for 300 dpi (Default: 3) 										
Tear Off	Fine-tune the media stop location. Settings range from -120 dots to 120 dots.										
Print Mode	Set the print mode.										
	<table border="1"> <thead> <tr> <th>Print Mode</th> <th>Description</th> </tr> </thead> <tbody> <tr> <td>Tear Off</td> <td>The top of the next label is aligned with the Print Head burn line.</td> </tr> <tr> <td>Peel Off</td> <td>Enable the label Peeler Mode.</td> </tr> <tr> <td>Cutter</td> <td>Enable the label Cutter Mode.</td> </tr> </tbody> </table>	Print Mode	Description	Tear Off	The top of the next label is aligned with the Print Head burn line.	Peel Off	Enable the label Peeler Mode.	Cutter	Enable the label Cutter Mode.		
	Print Mode	Description									
	Tear Off	The top of the next label is aligned with the Print Head burn line.									
Peel Off	Enable the label Peeler Mode.										
Cutter	Enable the label Cutter Mode.										
Print Width	Set the print width. Settings range from 2 dots to 999 dots.										
List Fonts	Print the current printer fonts list to the label. The fonts can be stored in the printer's DRAM, Flash, or optional memory card.										
List Images	Print the current printer images list to the label. The images can be stored in the printer's DRAM, Flash, or optional memory card.										
List Formats	Print the current printer formats list to the label. The formats can be stored in the printer's DRAM, Flash, or optional memory card.										
List Setup	Print the current printer configuration.										
Control Prefix	Set the control prefix character.										
Format Prefix	Set the format prefix character.										
Delimiter Char	Set the delimiter character.										
Media Power Up	Set the media action you want when you turn the printer on.										
	<table border="1"> <thead> <tr> <th>Action</th> <th>Description</th> </tr> </thead> <tbody> <tr> <td>Feed</td> <td>The printer ejects one label.</td> </tr> <tr> <td>Calibration</td> <td>The printer calibrates the sensor levels, determines the label length, and feeds one label.</td> </tr> <tr> <td>Length</td> <td>The printer determines the label length and feeds the label.</td> </tr> <tr> <td>No Motion</td> <td>No action.</td> </tr> </tbody> </table>	Action	Description	Feed	The printer ejects one label.	Calibration	The printer calibrates the sensor levels, determines the label length, and feeds one label.	Length	The printer determines the label length and feeds the label.	No Motion	No action.
	Action	Description									
	Feed	The printer ejects one label.									
	Calibration	The printer calibrates the sensor levels, determines the label length, and feeds one label.									
Length	The printer determines the label length and feeds the label.										
No Motion	No action.										
Head Close	Set the media action when you close the Print Head.										
	<table border="1"> <thead> <tr> <th>Action</th> <th>Description</th> </tr> </thead> <tbody> <tr> <td>Feed</td> <td>The printer ejects one label.</td> </tr> <tr> <td>Calibration</td> <td>The printer calibrates the sensor levels, determines the label length, and feeds one label.</td> </tr> <tr> <td>Length</td> <td>The printer determines the label length and feeds the label.</td> </tr> <tr> <td>No Motion</td> <td>No action.</td> </tr> </tbody> </table>	Action	Description	Feed	The printer ejects one label.	Calibration	The printer calibrates the sensor levels, determines the label length, and feeds one label.	Length	The printer determines the label length and feeds the label.	No Motion	No action.
	Action	Description									
	Feed	The printer ejects one label.									
	Calibration	The printer calibrates the sensor levels, determines the label length, and feeds one label.									
Length	The printer determines the label length and feeds the label.										
No Motion	No action.										

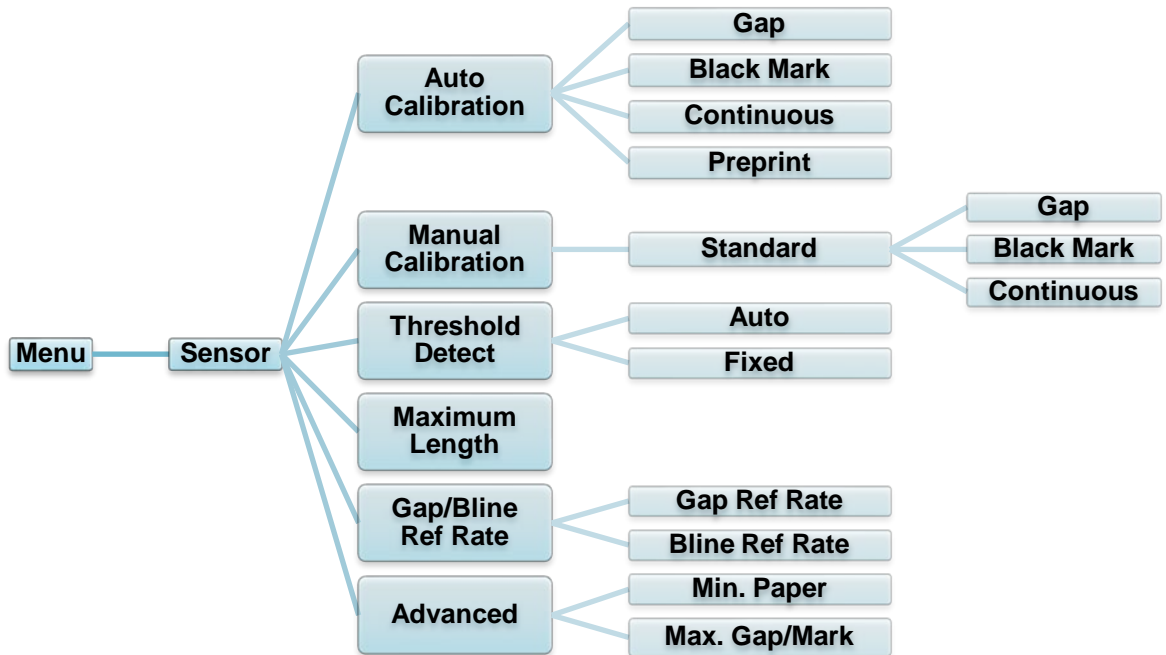
Setting	Description
Label Top	Adjust the print position vertically on the label. Settings range from -120 dots to +120 dots.
Left Position	Adjust the print position horizontally on the label. Settings range from -9999 dots to +9999 dots.
Reprint Mode	Reprint the last label by tapping the Up arrow (⬆) button on the Touchscreen.
Format Convert	Selects the bitmap scaling factor. The first number is the original DPI value; the second number is the DPI setting you want.

 **Note**

If printing from the downloaded software/driver, the software/driver commands will overwrite the settings set from the Touchscreen.

7.2 Sensor Settings

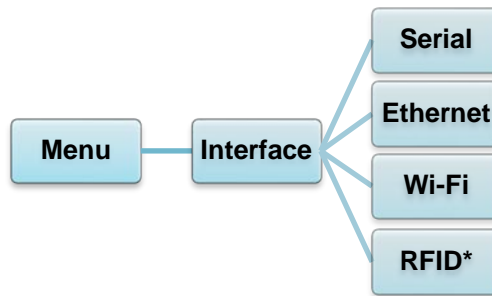
We recommend calibrating the sensors every time you change the media.



Setting	Description
Auto Calibration	Set the media sensor type and calibrate the selected sensor automatically. The printer feeds up to three gap labels to calibrate the sensor sensitivity automatically.
Manual Calibration	If “Automatic” cannot apply to the media, use the “Manual” function to set the paper length and gap/BLINE size, and then scan the backing/mark to calibrate the sensor sensitivity.
Threshold Detect	Set the sensor sensitivity to Fixed or Auto.
Maximum Length	Set the maximum length for label calibration.
Gap/Bline Ref Rate	Adjusts sensitivity for gap (spacing) detection on die-cut labels or for black mark detection.
Advanced	Set the minimum paper length and maximum gap/BLINE length to calibrate the sensor sensitivity automatically.

7.3 Interface Settings

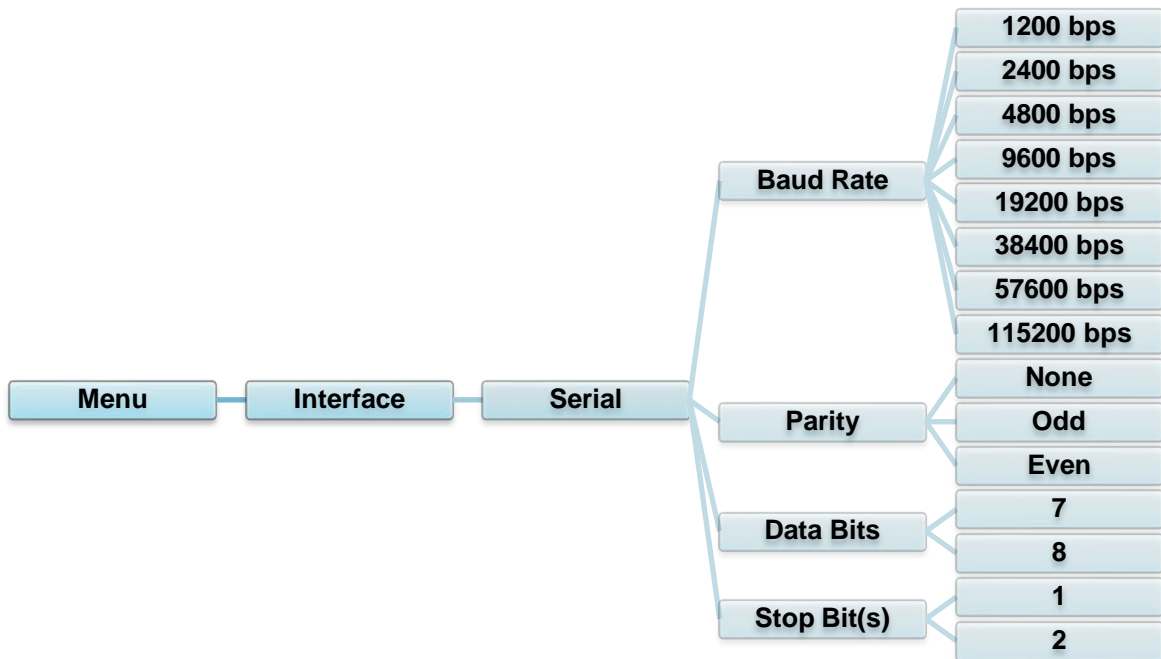
Set the printer interface settings.



* Available for TJ-4021TNR and TJ-4121TNR only.

7.3.1 Serial Communication Settings

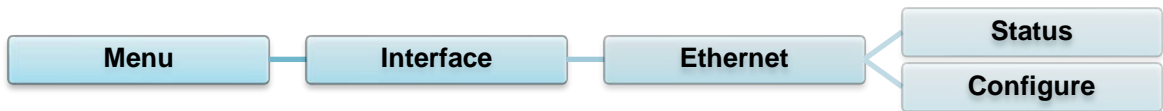
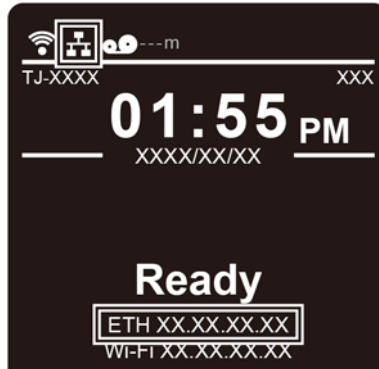
Set the printer RS-232 settings.



Setting	Description
Baud Rate	Set the RS-232 Baud rate.
Parity	Set the RS-232 Parity.
Data Bits	Set the RS-232 Data bits.
Stop Bit(s)	Set the RS-232 Stop bits.

7.3.2 Ethernet Settings

Configure your printer's Ethernet (wired) connection and check its status.
 When the Ethernet is connected, the Ethernet icon and IP address appear on the Touchscreen as shown below.



Item	Description
Status	Check the Ethernet IP address and Mac address setting status.
Configure	<p>DHCP: Enable (On) or disable (Off) the Dynamic Host Configuration Protocol (DHCP) network protocol.</p> <p>Static IP: Set the printer's IP address, subnet mask, and gateway.</p>

 **Note**

For information about installing a printer driver, see section [5.1.3 Wired Network Connection \(Windows\)](#).

7.3.3 Wi-Fi Settings

 **Note**

To use Wi-Fi, the optional Wi-Fi Interface (PA-WI-002) is required.

Configure your printer's Wi-Fi connection and check its status.

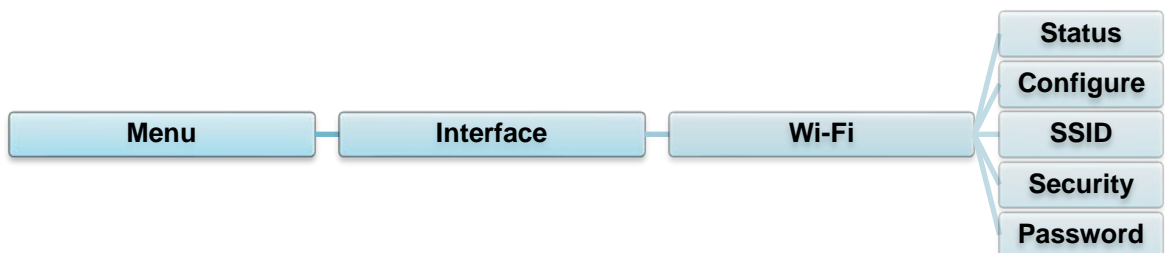
To use this feature, set up the Enterprise configuration using the Brother Printer Management Tool (BPM). For more information on setting Wi-Fi using the BPM, see the *Brother Printer Management Tool Quick Start Guide* on your model's **Manuals** page at support.brother.com.

When the Wi-Fi Interface is connected, the Wi-Fi icon and IP address appear on the Touchscreen as shown below.



 **Note**

Make sure both your wireless router/access point's and your printer's network settings are correctly set up. For more information, see the documentation provided with your wireless router/access point, or contact the router manufacturer, your system administrator, or Internet service provider.



Item	Description
Status	Check the Wi-Fi IP address and Mac address setting status.
Configure	<p>DHCP: Enable (On) or disable (Off) the Dynamic Host Configuration Protocol (DHCP) network protocol.</p> <p>Static IP: Set the printer's IP address, subnet mask, and gateway.</p>
SSID	Set the SSID (Network Name).
Security	Select the Wi-Fi encryption.
Password	Set the password (Network Key).

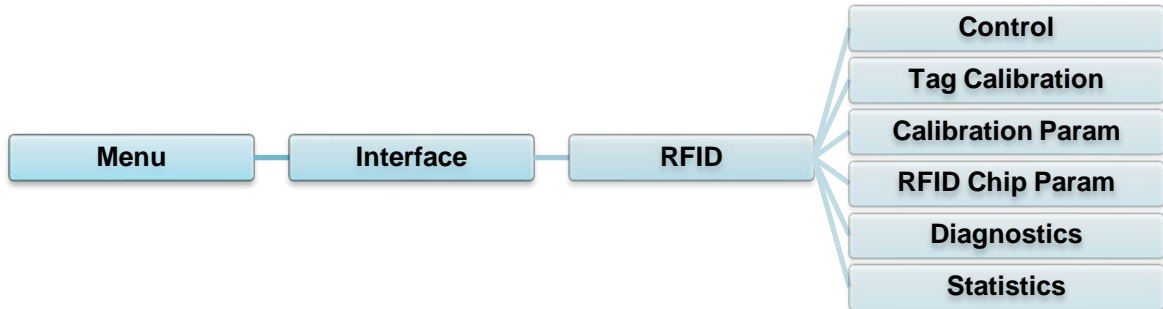
 **Note**

For information about installing a printer driver, see section [5.1.2 Wi-Fi Network Connection \(Windows\)](#).

7.3.4 RFID (Radio Frequency Identification) Settings




(Available for TJ-4021TNR and TJ-4121TNR only)




Set the printer RFID settings.








Item	Description							
Control	RFID Active	Select "Enable" to enable the RFID encoder module.						
	Error Handling	<table border="1"> <tr> <td data-bbox="639 853 794 936">Overstrike (Default)</td> <td data-bbox="794 853 1450 1070">Each incorrectly processed label prints with the Overstrike pattern, and the form retries on a new label until the Label Retry count is exhausted. Whether an error message appears or the label gets reprinted depends on the <i>Max Retry Error</i> setting.</td> </tr> <tr> <td data-bbox="639 1070 794 1153">None</td> <td data-bbox="794 1070 1450 1153">No specific action is taken when a tag fails to be programmed.</td> </tr> <tr> <td data-bbox="639 1153 794 1406">Stop</td> <td data-bbox="794 1153 1450 1406">The printer will halt and display the error message "RFID Error: Check Media". The label is discarded and reprinting of the label must be initiated from the host. When the error is cleared, the label with the incorrect tag moves forward until the next label is in position to be printed.</td> </tr> </table>	Overstrike (Default)	Each incorrectly processed label prints with the Overstrike pattern, and the form retries on a new label until the Label Retry count is exhausted. Whether an error message appears or the label gets reprinted depends on the <i>Max Retry Error</i> setting.	None	No specific action is taken when a tag fails to be programmed.	Stop	The printer will halt and display the error message "RFID Error: Check Media". The label is discarded and reprinting of the label must be initiated from the host. When the error is cleared, the label with the incorrect tag moves forward until the next label is in position to be printed.
		Overstrike (Default)	Each incorrectly processed label prints with the Overstrike pattern, and the form retries on a new label until the Label Retry count is exhausted. Whether an error message appears or the label gets reprinted depends on the <i>Max Retry Error</i> setting.					
		None	No specific action is taken when a tag fails to be programmed.					
	Stop	The printer will halt and display the error message "RFID Error: Check Media". The label is discarded and reprinting of the label must be initiated from the host. When the error is cleared, the label with the incorrect tag moves forward until the next label is in position to be printed.						
	Label Retry	Specifies the number of label retries that the RFID encoder will attempt before declaring a fault. This may indicate a problem with the RFID encoder, the printer setup, or the label stock. <table border="1" data-bbox="639 1570 1161 1641"> <tr> <td data-bbox="639 1570 831 1608">Minimum</td> <td data-bbox="831 1570 1161 1608">1</td> </tr> <tr> <td data-bbox="639 1608 831 1641">Maximum</td> <td data-bbox="831 1608 1161 1641">10 (Default)</td> </tr> </table>	Minimum	1	Maximum	10 (Default)		
	Minimum	1						
Maximum	10 (Default)							
Max Retry Error	Determines if errors occur when the <i>Label Retry</i> count is exceeded.							
EPC Write Ctrl	Controls how the printer encodes the RFID tag EPC field.							
Non-RFID Warning	Displays a warning if the printer receives a print job that does not contain any RFID commands when RFID media is installed in the printer.							

Item	Description							
<p>Tag Calibration</p>	<p>This submenu is used to perform an RFID calibration. You must perform a tag calibration when installing a new tag in the printer. RFID calibration determines the RFID chip type, the write/read power, program position, and the length of the EPC/User field.</p>							
	<table border="1"> <tr> <td data-bbox="432 309 632 398">Do RFID Calibrate</td> <td data-bbox="632 309 1450 398">Performs the RFID calibration. Execute it every time you change the RFID tag type.</td> </tr> </table>	Do RFID Calibrate	Performs the RFID calibration. Execute it every time you change the RFID tag type.					
	Do RFID Calibrate	Performs the RFID calibration. Execute it every time you change the RFID tag type.						
	<table border="1"> <tr> <td data-bbox="432 398 632 745">Num Label for Calibration</td> <td data-bbox="632 398 1450 745"> <p>Determines the number of tags to use for calibration. However, this value does not include tags moved when seeking gaps during the calibration process. Depending on the difficulty in calibrating the installed tags, the printer may use more or fewer labels, but generally, the greater the number selected in this menu, the more tags will be used to determine the calibration result.</p> <table border="1"> <tr> <td data-bbox="644 656 836 692">Minimum</td> <td data-bbox="836 656 1169 692">3 (Default)</td> </tr> <tr> <td data-bbox="644 692 836 728">Maximum</td> <td data-bbox="836 692 1169 728">7</td> </tr> </table> </td> </tr> </table>	Num Label for Calibration	<p>Determines the number of tags to use for calibration. However, this value does not include tags moved when seeking gaps during the calibration process. Depending on the difficulty in calibrating the installed tags, the printer may use more or fewer labels, but generally, the greater the number selected in this menu, the more tags will be used to determine the calibration result.</p> <table border="1"> <tr> <td data-bbox="644 656 836 692">Minimum</td> <td data-bbox="836 656 1169 692">3 (Default)</td> </tr> <tr> <td data-bbox="644 692 836 728">Maximum</td> <td data-bbox="836 692 1169 728">7</td> </tr> </table>	Minimum	3 (Default)	Maximum	7	
Num Label for Calibration	<p>Determines the number of tags to use for calibration. However, this value does not include tags moved when seeking gaps during the calibration process. Depending on the difficulty in calibrating the installed tags, the printer may use more or fewer labels, but generally, the greater the number selected in this menu, the more tags will be used to determine the calibration result.</p> <table border="1"> <tr> <td data-bbox="644 656 836 692">Minimum</td> <td data-bbox="836 656 1169 692">3 (Default)</td> </tr> <tr> <td data-bbox="644 692 836 728">Maximum</td> <td data-bbox="836 692 1169 728">7</td> </tr> </table>	Minimum	3 (Default)	Maximum	7			
Minimum	3 (Default)							
Maximum	7							
<table border="1"> <tr> <td data-bbox="432 745 632 1093">Test EPC Length</td> <td data-bbox="632 745 1450 1093"> <p>Determines the size of the EPC data that will be used to perform the RFID calibration. This length can be increased to improve the accuracy of the RFID calibration, but it should not be increased to a value greater than the maximum EPC length that the current Tag Type can support.</p> <table border="1"> <tr> <td data-bbox="644 969 836 1005">Minimum</td> <td data-bbox="836 969 1169 1005">16</td> </tr> <tr> <td data-bbox="644 1005 836 1041">Maximum</td> <td data-bbox="836 1005 1169 1041">256</td> </tr> <tr> <td data-bbox="644 1041 836 1077">Default</td> <td data-bbox="836 1041 1169 1077">96</td> </tr> </table> </td> </tr> </table>	Test EPC Length	<p>Determines the size of the EPC data that will be used to perform the RFID calibration. This length can be increased to improve the accuracy of the RFID calibration, but it should not be increased to a value greater than the maximum EPC length that the current Tag Type can support.</p> <table border="1"> <tr> <td data-bbox="644 969 836 1005">Minimum</td> <td data-bbox="836 969 1169 1005">16</td> </tr> <tr> <td data-bbox="644 1005 836 1041">Maximum</td> <td data-bbox="836 1005 1169 1041">256</td> </tr> <tr> <td data-bbox="644 1041 836 1077">Default</td> <td data-bbox="836 1041 1169 1077">96</td> </tr> </table>	Minimum	16	Maximum	256	Default	96
Test EPC Length	<p>Determines the size of the EPC data that will be used to perform the RFID calibration. This length can be increased to improve the accuracy of the RFID calibration, but it should not be increased to a value greater than the maximum EPC length that the current Tag Type can support.</p> <table border="1"> <tr> <td data-bbox="644 969 836 1005">Minimum</td> <td data-bbox="836 969 1169 1005">16</td> </tr> <tr> <td data-bbox="644 1005 836 1041">Maximum</td> <td data-bbox="836 1005 1169 1041">256</td> </tr> <tr> <td data-bbox="644 1041 836 1077">Default</td> <td data-bbox="836 1041 1169 1077">96</td> </tr> </table>	Minimum	16	Maximum	256	Default	96	
Minimum	16							
Maximum	256							
Default	96							
<p>Calibration Param</p>	<p>Contains the settings used for optimal tag encoding. These parameters can be obtained automatically through RFID calibration.</p>							
	<table border="1"> <tr> <td data-bbox="432 1216 632 1305">Tag Position</td> <td data-bbox="632 1216 1450 1305">Determines how far the RFID tag encoding position of the currently installed tag should be offset from Top of Form.</td> </tr> </table>	Tag Position	Determines how far the RFID tag encoding position of the currently installed tag should be offset from Top of Form.					
	Tag Position	Determines how far the RFID tag encoding position of the currently installed tag should be offset from Top of Form.						
	<table border="1"> <tr> <td data-bbox="432 1305 632 1507">Write Power</td> <td data-bbox="632 1305 1450 1507"> <p>Specifies the write power level to be used in the RFID encoder. Normally, this value is set automatically by the RFID calibration process and should not be changed.</p> <table border="1"> <tr> <td data-bbox="644 1429 836 1464">Minimum</td> <td data-bbox="836 1429 1134 1464">1</td> </tr> <tr> <td data-bbox="644 1464 836 1500">Maximum</td> <td data-bbox="836 1464 1134 1500">30</td> </tr> </table> </td> </tr> </table>	Write Power	<p>Specifies the write power level to be used in the RFID encoder. Normally, this value is set automatically by the RFID calibration process and should not be changed.</p> <table border="1"> <tr> <td data-bbox="644 1429 836 1464">Minimum</td> <td data-bbox="836 1429 1134 1464">1</td> </tr> <tr> <td data-bbox="644 1464 836 1500">Maximum</td> <td data-bbox="836 1464 1134 1500">30</td> </tr> </table>	Minimum	1	Maximum	30	
Write Power	<p>Specifies the write power level to be used in the RFID encoder. Normally, this value is set automatically by the RFID calibration process and should not be changed.</p> <table border="1"> <tr> <td data-bbox="644 1429 836 1464">Minimum</td> <td data-bbox="836 1429 1134 1464">1</td> </tr> <tr> <td data-bbox="644 1464 836 1500">Maximum</td> <td data-bbox="836 1464 1134 1500">30</td> </tr> </table>	Minimum	1	Maximum	30			
Minimum	1							
Maximum	30							
<table border="1"> <tr> <td data-bbox="432 1507 632 1720">Read Power</td> <td data-bbox="632 1507 1450 1720"> <p>Specifies the read power level to be used in the RFID encoder. Normally, this value is set automatically by the RFID calibration process and should not be changed.</p> <table border="1"> <tr> <td data-bbox="644 1630 836 1666">Minimum</td> <td data-bbox="836 1630 1134 1666">1</td> </tr> <tr> <td data-bbox="644 1666 836 1702">Maximum</td> <td data-bbox="836 1666 1134 1702">30</td> </tr> </table> </td> </tr> </table>	Read Power	<p>Specifies the read power level to be used in the RFID encoder. Normally, this value is set automatically by the RFID calibration process and should not be changed.</p> <table border="1"> <tr> <td data-bbox="644 1630 836 1666">Minimum</td> <td data-bbox="836 1630 1134 1666">1</td> </tr> <tr> <td data-bbox="644 1666 836 1702">Maximum</td> <td data-bbox="836 1666 1134 1702">30</td> </tr> </table>	Minimum	1	Maximum	30		
Read Power	<p>Specifies the read power level to be used in the RFID encoder. Normally, this value is set automatically by the RFID calibration process and should not be changed.</p> <table border="1"> <tr> <td data-bbox="644 1630 836 1666">Minimum</td> <td data-bbox="836 1630 1134 1666">1</td> </tr> <tr> <td data-bbox="644 1666 836 1702">Maximum</td> <td data-bbox="836 1666 1134 1702">30</td> </tr> </table>	Minimum	1	Maximum	30			
Minimum	1							
Maximum	30							

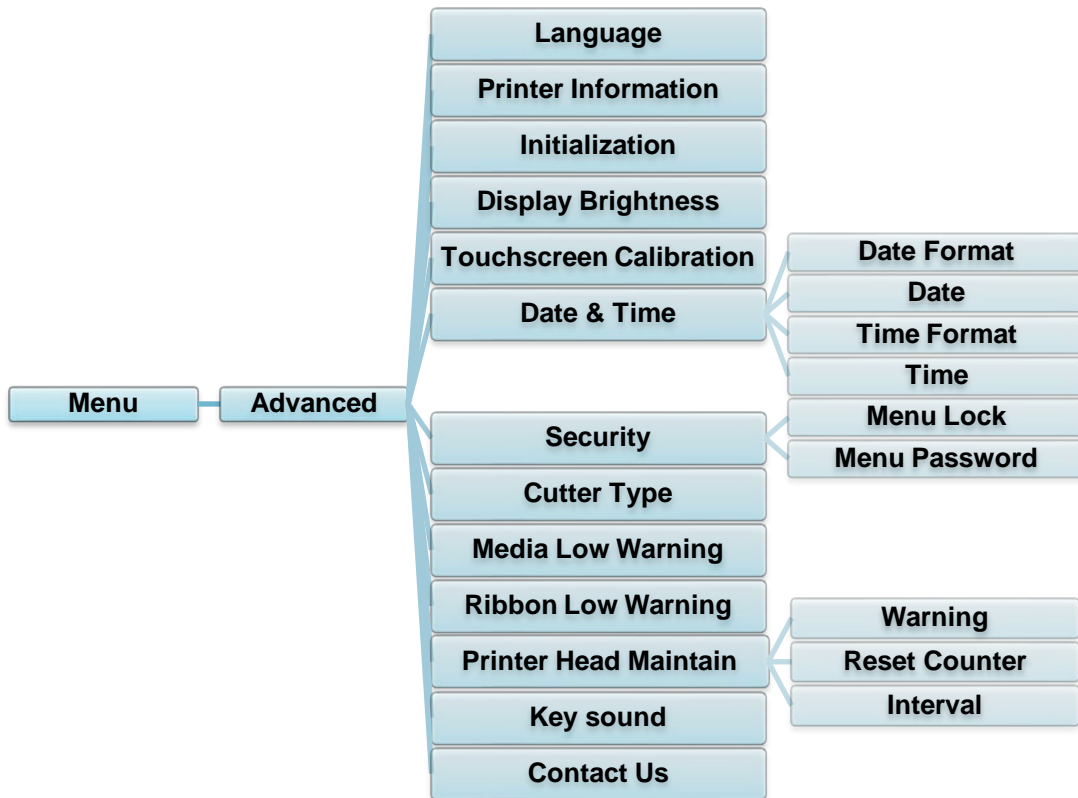
Item	Description					
RFID Chip Param	<p>These settings are used to configure the system when custom RFID tags are required.</p>					
	<p>USR Size Specifies the USR block bytes size within the RFID tag memory. Normally, this value is set automatically by the RFID calibration process and should not be changed.</p> <table border="1" data-bbox="639 367 1142 439"> <tr> <td>Minimum</td> <td>0 (Default)</td> </tr> <tr> <td>Maximum</td> <td>256</td> </tr> </table> <hr/> <p> Note This value is hidden if Higgs 3 tags are detected, and the Higgs 3 USR Len menu is shown instead.</p>	Minimum	0 (Default)	Maximum	256	
	Minimum	0 (Default)				
	Maximum	256				
	<p>USR Address Specifies the starting location of the USR block within the RFID tag memory. Normally, this value is set automatically by the RFID calibration process and should not be changed.</p> <table border="1" data-bbox="639 734 1142 806"> <tr> <td>Minimum</td> <td>0 (Default)</td> </tr> <tr> <td>Maximum</td> <td>32</td> </tr> </table>	Minimum	0 (Default)	Maximum	32	
Minimum	0 (Default)					
Maximum	32					
<p>TID Size Indicates the size of the memory block within the RFID tag memory that contains the Tag ID. Normally, this value is set automatically by the RFID calibration process and should not be changed.</p> <table border="1" data-bbox="639 1003 1142 1106"> <tr> <td>Minimum</td> <td>0</td> </tr> <tr> <td>Maximum</td> <td>12</td> </tr> <tr> <td>Default</td> <td>8</td> </tr> </table>	Minimum	0	Maximum	12	Default	8
Minimum	0					
Maximum	12					
Default	8					
<p>Higgs 3 USR Len Higgs 3 tags differ from other RFID tags in that their memory bank size is not fixed. To accommodate EPC lengths longer than 96 bits, Higgs 3 borrows memory from the USR bank. This read-only menu indicates the size in bits of the USR block within the RFID tag memory.</p> <table border="1" data-bbox="639 1312 1142 1384"> <tr> <td>Minimum</td> <td>128</td> </tr> <tr> <td>Maximum</td> <td>512 (Default)</td> </tr> </table> <hr/> <p> Note This menu will only be shown if a Higgs 3 tag is detected.</p>	Minimum	128	Maximum	512 (Default)		
Minimum	128					
Maximum	512 (Default)					
<p>Higgs 3 EPC Len Higgs 3 tags differ from other RFID tags in that their memory bank size is not fixed. To accommodate EPC lengths longer than 96 bits, Higgs 3 borrows memory from the USR bank. This menu item allows you to select the number of bits dedicated to the EPC block within the RFID tag memory.</p> <table border="1" data-bbox="639 1747 1142 1850"> <tr> <td>Minimum</td> <td>96</td> </tr> <tr> <td>Maximum</td> <td>480</td> </tr> <tr> <td>Default</td> <td>96</td> </tr> </table> <hr/> <p> Note This menu will only be shown if a Higgs 3 tag is detected.</p>	Minimum	96	Maximum	480	Default	96
Minimum	96					
Maximum	480					
Default	96					

Item	Description						
RFID Chip Param	<p>Tag Length Specifies the EPC block bytes size within the RFID tag memory. This value is set automatically by the RFID calibration process and should not be changed.</p> <table border="1" data-bbox="639 338 1142 450"> <tr> <td>Minimum</td> <td>8</td> </tr> <tr> <td>Maximum</td> <td>64</td> </tr> <tr> <td>Default</td> <td>12</td> </tr> </table> <hr/> <p> Note This value is hidden if Higgs 3 tags are detected, and the Higgs 3 EPC Len menu is shown instead.</p>	Minimum	8	Maximum	64	Default	12
	Minimum	8					
	Maximum	64					
Default	12						
<p>EPC Address Specifies the starting location of the EPC block within the RFID tag memory. Normally, this value is set automatically by the RFID calibration process and should not be changed.</p> <table border="1" data-bbox="639 734 1142 801"> <tr> <td>Minimum</td> <td>0 (Default)</td> </tr> <tr> <td>Maximum</td> <td>32</td> </tr> </table>	Minimum	0 (Default)	Maximum	32			
Minimum	0 (Default)						
Maximum	32						
<p>Block Size Specifies the maximum number of bytes written to the USR block within the RFID tag memory at one time. Normally, this value is set automatically by the RFID calibration process and should not be changed.</p> <table border="1" data-bbox="639 981 1163 1093"> <tr> <td>Minimum</td> <td>0</td> </tr> <tr> <td>Maximum</td> <td>32</td> </tr> <tr> <td>Default</td> <td>8</td> </tr> </table>	Minimum	0	Maximum	32	Default	8	
Minimum	0						
Maximum	32						
Default	8						
Diagnostics	<p>These settings are used to run test procedures to help determine the accuracy of the RFID system and troubleshoot it.</p>						
	<p>Read Tag Reads the tag in range of the internal RFID coupler and reports the tag data to the debug port and displays it on the Touchscreen. It is primarily intended for development verification by checking that the system is working.</p> <hr/> <p> Note This setting does not position the RFID tag over the coupler. Make sure to position the tag over the coupler to receive an accurate reading.</p> <hr/> <p>Read Tag & Eject This setting works exactly the same as <i>Read Tag</i>, except that after the printer reads the tag, it feeds the label to the next top-of-form.</p> <hr/> <p> Note This setting does not position the RFID tag over the coupler. Make sure to position the tag over the coupler to receive an accurate reading.</p> <hr/>						


Item	Description	
Diagnostics	Read USR	<p>Reads the User Memory bank of the tag in range of the internal RFID coupler and reports the data to the debug port and displays it on the Touchscreen. It is primarily intended for development verification by checking that the system is working.</p> <hr/> <p> Note This setting does not position the RFID tag over the coupler. Make sure to position the tag over the coupler to receive an accurate reading.</p>
	Read TID	<p>Reads the Tag ID (TID) from the tag in range of the internal RFID coupler and displays the value read in the <i>Tag ID</i> menu.</p> <hr/> <p> Note This setting does not position the RFID tag over the coupler. Make sure to position the tag over the coupler to receive an accurate reading.</p>
	Tag ID	<p>Displays the first Tag ID (TID) read since power-up, or if using the <i>Read TID</i> menu, the most recently read TID. If no tag is in range of the internal RFID coupler, “Unknown” appears on the Touchscreen.</p>
	Read PC	<p>Reads the PC (Protocol Control) field from an RFID tag in range of the internal RFID coupler and displays the value read in the Tag PC menu.</p> <hr/> <p> Note This setting does not position the RFID tag over the coupler. Make sure to position the tag over the coupler to receive an accurate reading.</p>
	Tag PC	<p>Displays the last PC (Protocol Control) field read from an RFID tag. If no tag is in range of the internal RFID coupler, “Unknown” appears on the Touchscreen.</p>
	Write EPC with 1s	<p>Writes all ones to the tag in range of the internal RFID coupler. It is primarily intended for development verification by checking that the system is working.</p> <hr/> <p> Note This setting does not position the RFID tag over the coupler. Make sure to position the tag over the coupler to receive an accurate writing.</p>
	Write EPC with 2s	<p>Writes all twos to the tag in range of the internal RFID coupler. It is primarily intended for development verification by checking that the system is working.</p> <hr/> <p> Note This setting does not position the RFID tag over the coupler. Make sure to position the tag over the coupler to receive an accurate writing.</p>

Item	Description		
Statistics	These settings are generally read-only and used to collect and report statistics on how the RFID system is reporting on print jobs sent to the printer.		
	<table border="1"> <tr> <td data-bbox="432 277 627 367">Tag Write Count</td> <td data-bbox="627 277 1450 367">Displays the number of tags attempted to be written since the last Clear Tag Stat operation has been initiated.</td> </tr> </table>	Tag Write Count	Displays the number of tags attempted to be written since the last Clear Tag Stat operation has been initiated.
	Tag Write Count	Displays the number of tags attempted to be written since the last Clear Tag Stat operation has been initiated.	
	<table border="1"> <tr> <td data-bbox="432 367 627 456">Tag Failed Count</td> <td data-bbox="627 367 1450 456">Displays the number of failed RFID tags since the last Clear Tag Stat operation has been initiated.</td> </tr> </table>	Tag Failed Count	Displays the number of failed RFID tags since the last Clear Tag Stat operation has been initiated.
	Tag Failed Count	Displays the number of failed RFID tags since the last Clear Tag Stat operation has been initiated.	
	<table border="1"> <tr> <td data-bbox="432 456 627 546">Tag Read Count</td> <td data-bbox="627 456 1450 546">Displays the number of tags read since the last Clear Tag Stat operation.</td> </tr> </table>	Tag Read Count	Displays the number of tags read since the last Clear Tag Stat operation.
	Tag Read Count	Displays the number of tags read since the last Clear Tag Stat operation.	
<table border="1"> <tr> <td data-bbox="432 546 627 636">Clear Tag Stat</td> <td data-bbox="627 546 1450 636">Clears the Count menu items in this submenu.</td> </tr> </table>	Clear Tag Stat	Clears the Count menu items in this submenu.	
Clear Tag Stat	Clears the Count menu items in this submenu.		
<table border="1"> <tr> <td data-bbox="432 636 627 748">RFID Reader F/W</td> <td data-bbox="627 636 1450 748">(Available for TJ-4021TNR and TJ-4121TNR only) Displays the RFID firmware version installed in the encoder.</td> </tr> </table>	RFID Reader F/W	(Available for TJ-4021TNR and TJ-4121TNR only) Displays the RFID firmware version installed in the encoder.	
RFID Reader F/W	(Available for TJ-4021TNR and TJ-4121TNR only) Displays the RFID firmware version installed in the encoder.		
<table border="1"> <tr> <td data-bbox="432 748 627 860">RFID Reader Hd/W</td> <td data-bbox="627 748 1450 860">(Available for TJ-4021TNR and TJ-4121TNR only) Displays the RFID hardware version installed in the encoder.</td> </tr> </table>	RFID Reader Hd/W	(Available for TJ-4021TNR and TJ-4121TNR only) Displays the RFID hardware version installed in the encoder.	
RFID Reader Hd/W	(Available for TJ-4021TNR and TJ-4121TNR only) Displays the RFID hardware version installed in the encoder.		

7.4 Advanced Settings



Item	Description
Language	Specify the Touchscreen language.
Printer Information	Check the printer serial number, printed mileage (in./m), number of printed labels (pcs), and cutting counter.
Initialization	Restore the printer settings to the default settings.
Display Brightness	Adjust the Touchscreen brightness (settings range from 0 to 100).
Touchscreen Calibration	Calibrate the Touchscreen.
Date & Time	Adjust the date and time displayed on the Touchscreen.
Security	Set the password for locking the menu or favorites. The default password is 8888.
Cutter Type	Set the Cutter Type.
Media Low Warning	Set the Media Low Warning message.

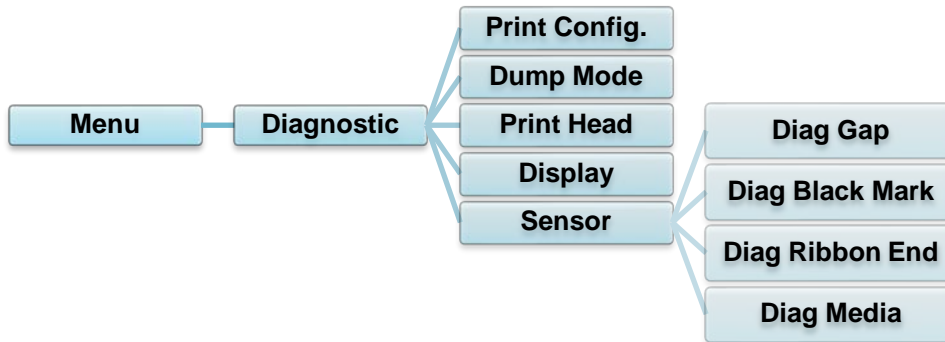
Item	Description								
Ribbon Low Warning	<p>Set the Ribbon Low Warning message. For example, if you set the value at 30 m, when the ribbon capacity is less than 30 m, the  icon appears in red.</p> <p>TJ-4020TN/TJ-4120TN: 30 m (Fixed) TJ-4021TN/TJ-4021TNR/TJ-4121TN/TJ-4121TNR: 10 m - 100 m (Customisable)</p>								
Printer Head Maintain	<p>Check the Print Head status and maintenance notifications.</p> <table border="1"> <thead> <tr> <th>Item</th> <th>Description</th> </tr> </thead> <tbody> <tr> <td>Warning</td> <td>Enable or disable the Print Head cleaning warning. If this setting is enabled and the Print Head has reached the setting mileage limit, a warning appears on the Touchscreen to remind you to clean the Print Head. The default setting is "Disable".</td> </tr> <tr> <td>Reset Counter</td> <td>Reset the Print Head mileage warning after the Print Head has been cleaned.</td> </tr> <tr> <td>Interval</td> <td>Set the mileage for when to display the Print Head cleaning warning. You must enable the "TPH warning lock" to use it. The default setting is 1 km.</td> </tr> </tbody> </table>	Item	Description	Warning	Enable or disable the Print Head cleaning warning. If this setting is enabled and the Print Head has reached the setting mileage limit, a warning appears on the Touchscreen to remind you to clean the Print Head. The default setting is "Disable".	Reset Counter	Reset the Print Head mileage warning after the Print Head has been cleaned.	Interval	Set the mileage for when to display the Print Head cleaning warning. You must enable the "TPH warning lock" to use it. The default setting is 1 km.
Item	Description								
Warning	Enable or disable the Print Head cleaning warning. If this setting is enabled and the Print Head has reached the setting mileage limit, a warning appears on the Touchscreen to remind you to clean the Print Head. The default setting is "Disable".								
Reset Counter	Reset the Print Head mileage warning after the Print Head has been cleaned.								
Interval	Set the mileage for when to display the Print Head cleaning warning. You must enable the "TPH warning lock" to use it. The default setting is 1 km.								
Key sound	Enable or disable the button press sound.								
Contact us	Displays a QR code to access the Brother Support website at support.brother.com using a mobile device.								

7.5 File Manager

Check the printer's available memory, show the files list, delete the files, or run the files that are saved in the printer's DRAM/Flash/Card memory.



7.6 Diagnostic Functions



Item	Description
Print Config.	Print the current printer configuration. On the configuration printout, there is a Print Head test pattern, which is useful for checking if there is dot damage to the Print Head Heating Element. For more information, see section 6.1.2 Gap/Black Mark Sensor Calibration, Self-Test, and Entering Dump Mode .
Dump Mode	Captures the data from the communications port and prints out the data received by the printer. In the Dump Mode, all characters will be printed in two columns. The characters in the left column are received from the printer's system and those in the right column are their hexadecimal representation. It allows you to verify and debug the program. For more information, see section 6.1.2 Gap/Black Mark Sensor Calibration, Self-Test, and Entering Dump Mode . <hr/> Note Dump Mode requires 101.6 mm paper width. <hr/>
Print Head	Check for any visible dots and the Print Head's temperature.
Display	Check the Touchscreen color state.
Sensor	Check the sensors' intensity and reading state.

8. Brother Printer Management Tool (BPM)

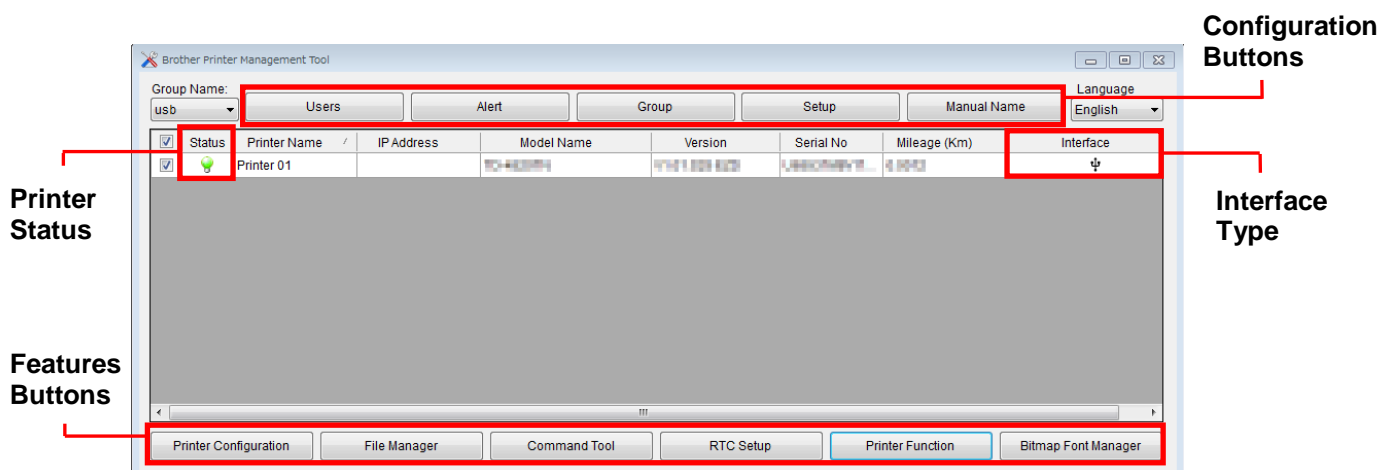
The Brother Printer Management Tool (BPM) is an integrated tool that lets you:

- Check a printer's status and settings
- Change printer settings
- Send additional commands to a printer
- Download graphics and fonts
- Create a printer bitmap font
- Download and update firmware
- Configure Wireless LAN (Wi-Fi)

Using this tool, you can also review your printer's status and settings to troubleshoot any problems.

8.1 Start the BPM

Double-click the BPM icon  to start the software.



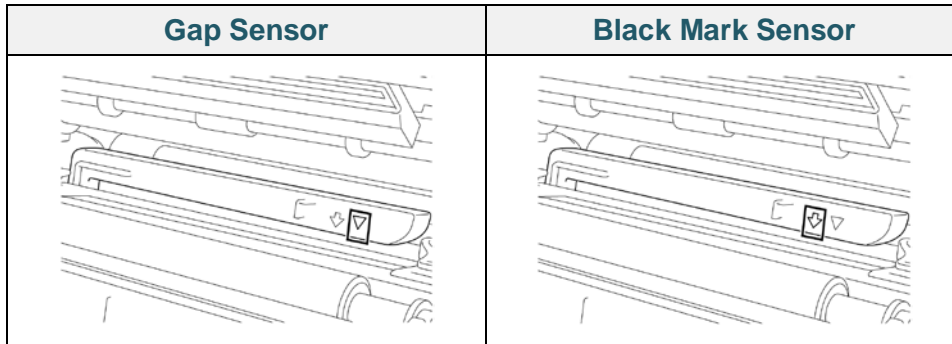
The BPM's main screen allows you to access the following options:

- Printer Configuration
- File Manager
- Command Tool
- RTC Setup
- Printer Function
- Bitmap Font Manager

For more information, see the *Brother Printer Management Tool Quick Start Guide* on your model's **Manuals** page at support.brother.com.

8.2 Auto-Calibrating the Media Sensor using the BPM

Use the BPM to set the media sensor type (Gap Sensor or Black Mark Sensor) and calibrate the selected sensor.



The Gap Sensor (transmissive sensor) detects the beginning of the label and the printer feeds the label to the correct position.

The Black Mark Sensor (reflective sensor) detects the mark and the printer feeds the media to the correct position.

1. Make sure the media is already installed and the Print Head is closed. (See section [3.4 Load the Media.](#))
2. Turn on the printer.
3. Start the BPM.
4. Click the **Printer Function** button.
5. Click the **Calibrate** button.
6. Select the sensor media type and click **Calibrate**.

Calibrate ✕

GAP Paper Height
 mm

Black Mark

Continuous Gap
 mm

Auto Selection

9. Setting Up the RFID

(Available for TJ-4021TNR and TJ-4121TNR only)

9.1 Introduction

When printing smart labels that use an EEPROM technology, the printer may need to write and verify some RFID tags more than once before accepting them. This additional processing may result in a short pause between each printed label, but is necessary to ensure consistent quality and reliability.

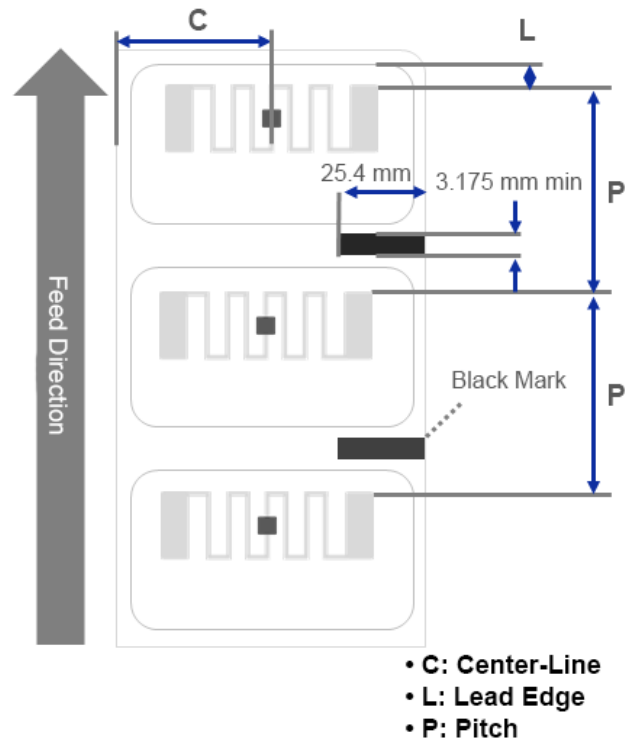
 **Note**

Static electricity can damage smart labels. Before you handle smart labels, open the printer's Media Cover and touch an unpainted metal part to discharge any static electricity that may have built up on your hands.

This printer is equipped with an Auto-Calibration feature, which eliminates the need to specify exact inlay placement or RFID power settings. The calibration routine is compatible with most major inlays embedded in typical label sizes and will work with many other inlays as well.

For optimum performance:

- Center inlays horizontally across the media (dimension "C"). Consistent, tag-to-tag placement of the inlays is more important than their proximity to the center.
- The pitch is the overall distance from inlay to inlay (dimension "P"). On-pitch tags and tags with a pitch less than 25.4 mm may require the printer to back-feed during the encoding and printing process, thus slowing the throughput of the printer. To avoid this, this pitch should be greater than 25.4 mm.
- Set the inlay back from the lead edge of the media (dimension "L") at the same tag-to-tag distance. To avoid back-feeding, for labels longer than 25.4 mm, this distance should be greater than 12.7 mm.



IMPORTANT

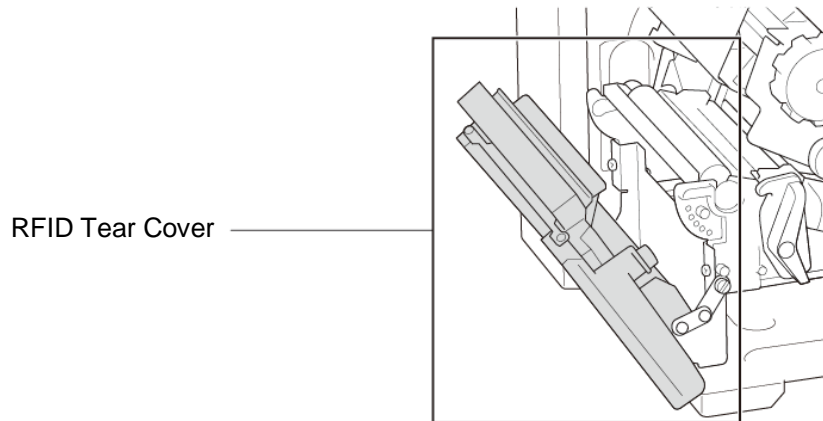
Always test RFID media on your printer before purchasing large quantities of media.

9.2 RFID Calibration

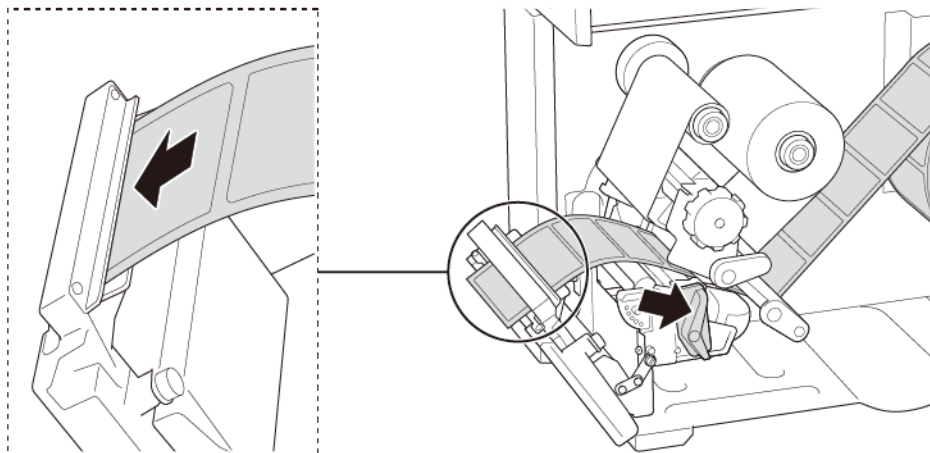
The TJ-4021TNR and TJ-4121TNR have a fixed-position RFID antenna mounted at the Media Output Slot, which supports a wide variety of tag types.

9.2.1 Load the RFID Media

1. Load the RFID media onto the Label Supply Spindle.
2. Open the Print Head and RFID Tear Cover. Thread the media through the Damper, Media Sensor, and Front Label Guide to install the media.



3. Feed the RFID media through the Tear Cover Slot.



4. Move the media sensor by adjusting the Media Sensor Position Adjustment Knob. Make sure the position of the Gap or Black Mark Sensor matches the position of the Gap/Black Mark on the label roll.
5. Adjust the Front Label Guide to fix the media position.
6. Close the Print Head and RFID Tear Cover.




9.2.2 RFID Calibration Procedure

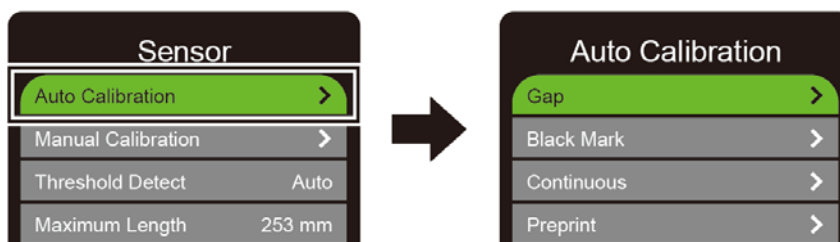
 **Note**

For optimal calibration results, perform Media Calibration before RFID Calibration. Make sure you correctly install both the ribbon and the label roll.

1. Perform Media Auto Calibration:

● **Using the Touchscreen:**

- a. Load the RFID media into the printer.
- b. (Thermal transfer only) Load the ribbon into the printer.
- c. Tap the **Menu** icon .
- d. Tap the **Sensor** icon .
- e. Tap **Auto Calibration**, select the media type, and then tap the  icon to start the media calibration.



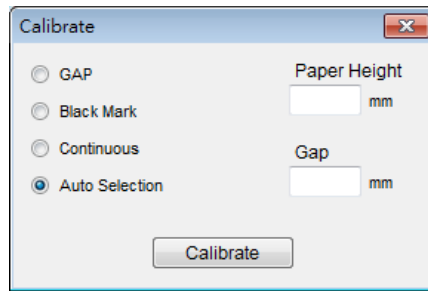
 **Note**

For more information, see section [7.2 Sensor Settings](#).

● **Using the BPM:**

- a. Load the RFID media into the printer.
- b. (Thermal transfer only) Load the ribbon into the printer.
- c. Connect the USB cable between the computer and the printer.
- d. Start the BPM.
- e. Select the printer in the list, and then click the **Printer Function** button.

- f. Click **Calibrate**.



- g. Click **Printer Configuration** and make sure the paper width and height in the FBPL tab are set correctly.




● **Using the AUTODETECT command:**

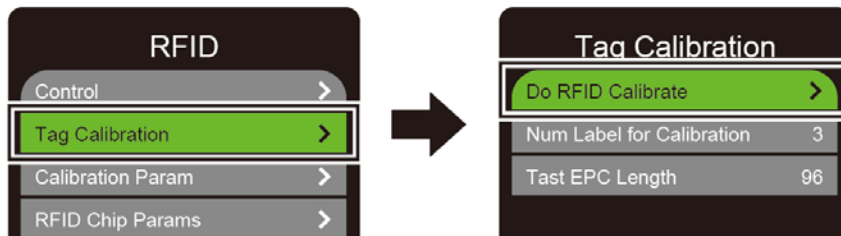
 **Note**

For more information, see the *FBPL Command Reference* on your model's **Manuals** page at support.brother.com.

2. Start RFID Calibration.

● **Using the Touchscreen:**

Tap **Menu**  → **Interface**  → **RFID** → **Tag Calibration** → **Do RFID Calibrate**, and then tap the  icon.







 **Note**

For more information, see section [7.3.4 RFID \(Radio Frequency Identification\) Settings](#).

● **Using the RFIDDETECT command:**

 **Note**

For more information, see the *FBPL Command Reference* on your model's **Manuals** page at support.brother.com.

3. Depending on the tag type and tag length, the calibration can take several minutes. At the end of calibration either a green or red screen appears. The green screen appears when the calibration is successful and the red one when it is not.
4. If calibration fails, tap the  or  icon to clear the error. In some cases, it may be due to an incompatibility between the tag and the reader. After the calibration is complete, tap the  or  icon to continue and save the RFID calibration values.

 **Note**

For information, see section [11.3 RFID Error Messages](#).

10. Product Specifications

Display	
Touchscreen	(TJ-4021TN, TJ-4021TNR, TJ-4121TN, TJ-4121TNR) 3.5" Color Touchscreen
LED	(TJ-4020TN, TJ-4120TN) 5 (4 icon indicators, 1 power indicator) (TJ-4021TN, TJ-4021TNR, TJ-4121TN, TJ-4121TNR) 1 power indicator (3 colors - Green, Red, Amber)
Printing	
Print Method	Thermal Transfer and Direct Thermal
Maximum Print Width	(TJ-4020TN, TJ-4021TN, TJ-4021TNR) 107 mm (TJ-4120TN, TJ-4121TN, TJ-4121TNR) 105.7 mm
Maximum Print Length	(TJ-4020TN, TJ-4021TN, TJ-4021TNR) 25,400 mm (TJ-4120TN, TJ-4121TN, TJ-4121TNR) 11,430 mm
Maximum Print Speed	(TJ-4020TN, TJ-4021TN, TJ-4021TNR) 254 mm / second (TJ-4120TN, TJ-4121TN, TJ-4121TNR) 177.8 mm / second
Print Resolution	(TJ-4020TN, TJ-4021TN, TJ-4021TNR) 203 dpi (TJ-4120TN, TJ-4121TN, TJ-4121TNR) 300 dpi

Size	
Dimensions	(TJ-4020TN, TJ-4021TN, TJ-4120TN, TJ-4121TN) Approximately 248 mm (W) × 436 mm (D) × 274 mm (H) (TJ-4021TNR, TJ-4121TNR) Approximately 248 mm (W) × 443 mm (D) × 274 mm (H)
Weight	(TJ-4020TN, TJ-4120TN) Approximately 9.2 kg (TJ-4021TN, TJ-4121TN) Approximately 9.4 kg (TJ-4021TNR, TJ-4121TNR) Approximately 9.9 kg
Interface	
USB	USB Ver. 2.0 (High Speed) (Type B)
Serial	RS-232
Wired LAN	10/100 Mbps
USB Host Port	Stand-alone: USB keyboard, USB scanner Storage: USB flash drive
Wi-Fi (Optional)	IEEE 802.11a/b/g/n
Wi-Fi Security	Open, WEP-Open, WPA-PSK/WPA2 (AES and TKIP) - 802.11i - WPA2-Enterprise: EAP-FAST, EAP-TTLS, EAP-TLS, PEAPv0
Environment	
Temperature	Operation: 0°C - 40°C Storage: -40°C - 60°C
Humidity	Operation: 25% - 85% (without condensation) Storage: 10% - 90% (without condensation)
Power Supply	
Power Supply	Internal Universal Switching Power Supply <ul style="list-style-type: none"> • Input: AC 100 V - 240 V, 2.0 A, 50 Hz / 60 Hz • Output: DC 24 V, 3.75 A, 90 W

Paper Specification	
Media Type	Continuous, die-cut, black mark, fan-fold, notch, RFID tag (TJ-4021TNR, TJ-4121TNR)
Wound Type	Outside wound
Media Width	20 mm - 120 mm (cutter mode: 114 mm max), 25.4 mm - 116 mm (RFID)
Media Thickness	0.06 mm - 0.28 mm Up to 1.0 mm for on-metal RFID label (TJ-4021TNR, TJ-4121TNR)
Roll Outside Diameter (maximum)	203.2 mm
Core Size	25.4 mm - 76.2 mm
Media Sensor	Gap (Transmissive), Black mark (Reflective)
Ribbon Specification	
Width	450 m long, max. Outer Diameter 81.3 mm
Core Size	25.4 mm (ink coated outside or inside)
Ribbon Width	40 mm - 110 mm
RFID Specification (TJ-4021TNR and TJ-4121TNR only)	
RF Protocol	UHF EPC global Class 1 Gen2 / ISO 18000-6C
Operating Frequency	Global (902 MHz - 928 MHz) and EU (866 MHz - 868 MHz)
Minimum Pitch	15.875 mm
Other	
Cutter	Regular guillotine cutter option (Not User Replaceable) ^{1 2}
Label Peeler	Label Peeler option (Not User Replaceable) ^{1 2}
Supported Barcodes	<ul style="list-style-type: none"> • 1D barcodes Code128UCC, Code128 (subsets A, B, C), EAN128, Interleaved 2 of 5, Interleaved 2 of 5 with check digit, Code39, Code39 with check digit, Code93, EAN13, EAN8, UPCA, UPCE, EAN and UPC 2 (5) digits add-on, Codabar, Postnet, MSI, MSI with check digit, PLESSEY, China post, ITF14, Code11, TELEPEN, TELEPENN, PLANET, Code49, Deutsche Post Identcode, Deutsche Post Leitcode, LOGMARS, Standard 2 of 5, Industrial 2 of 5, EAN14 • 2D barcodes GS1 DataBar, GS1 DataMatrix, Maxicode, AZTEC, PDF417, QR Code, Micro PDF 417, CODABLOCK F mode, TLC39
Printer Control Command	FBPL-EZD (Compatible to FBPL II, EPL II, ZPL II, DPL) FBPL-EZS (Compatible to FBPL II, EPL II, ZPL II, SBPL)
Built-in Fonts	<ul style="list-style-type: none"> • 8 alphanumeric bitmap fonts • Monotype Imaging® TrueType font engine with one CG Triumvirate Bold Condensed scalable font

¹ Not compatible with RFID tags.

² Only authorized Brother Dealers should perform accessory replacements.

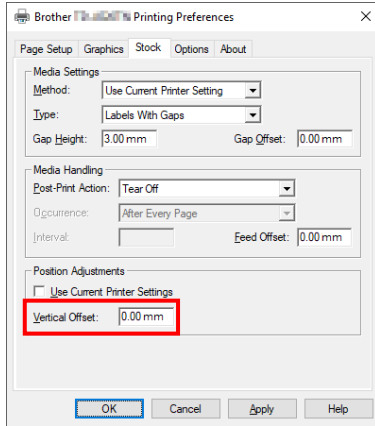
11. Troubleshooting

11.1 Common Problems

This chapter explains how to resolve typical problems you may encounter when using the printer. If you have any problems with the printer, first make sure you have performed the following tasks correctly.

If you still have problems, contact the product manufacturer's customer service or your local dealer.

Problem	Possible Cause	Solution
The LED Indicator is not lit.	The Power Cord is not correctly connected.	Make sure the printer is correctly connected to the power outlet (electrical socket) using the Power Cord.
	The Power Switch is off.	Turn the printer on.
Memory full (DRAM/Flash/Card).	The printer's DRAM/Flash/Card memory is full.	Delete unused files from the DRAM/Flash/Card memory.
Poor Print Quality.	The ribbon/media is loaded incorrectly.	Reload the media/ribbon.
	Dust or adhesive has accumulated on the Print Head.	Clean the Print Head.
		Clean the Platen Roller.
	The print density is set incorrectly.	Adjust the print density and print speed.
	The Print Head is damaged.	Run the printer self-test and check the Print Head test pattern for missing dots.
	The ribbon/media is incompatible.	Install the correct ribbon/media.
	The print head tension is not set correctly.	Use the Print Head Tension Adjustment Knob to adjust the print head tension. (See section 4. Improve Print Quality)
The Release Lever does not lock the Print Head in place.		
Incomplete printing on the left or right side of label.	The label size is not specified correctly.	Check if the label size is set up correctly.
Blank labels with gray lines.	The Print Head is dirty.	Clean the Print Head.
	The Platen Roller is dirty.	Clean the Platen Roller. (See section 12. Maintenance.)
Irregular printing.	The printer is in Hex Dump Mode.	Turn the printer on and off to skip the Dump Mode. (See section 6.1.2 Gap/Black Mark Sensor Calibration, Self-Test, and Entering Dump Mode.)
	The printer's RS-232 communication is not set correctly.	Make sure the printer's RS-232 settings are set up correctly. For more information, see section 7.3.1 Serial Communication Settings.

Problem	Possible Cause	Solution
Labels are fed incorrectly (skewed) when printing.	The media guide does not touch the edge of the media.	If the label is moving to the right side, move the Front Label Guide to the left.
		If the label is moving to the left side, move the Front Label Guide to the right.
Labels are skipped when printing.	The label size is not specified correctly.	Check if the label size is set up correctly.
	The sensor sensitivity is not set correctly.	Calibrate the Gap Sensor either manually or automatically (See section 7.2 Sensor Settings).
	The media sensor is dirty.	Clean the Gap/Black Mark Sensor using a compressed air or vacuum.
Ribbon Wrinkles.	The print head tension is not set correctly.	Use the Print Head Tension Adjustment Knob to adjust the print head tension. (See section 4. Improve Print Quality)
	The ribbon is installed incorrectly.	Reinstall the ribbon. To install the ribbon roll, see section 3.2 Load the Ribbon .
	The media is installed incorrectly.	Reinstall the label roll. To install the label roll, see section 3.4 Load the Media .
	The print density is not set correctly.	Adjust the print density to improve the print quality.
	The media is not fed correctly.	Make sure the Front Label Guide touches the edge of the Media Guide Tips.
RTC time is incorrect when rebooting the printer.	The coin battery has dislodged. The coin battery has finished.	Contact the product manufacturer's customer service or your local dealer.
The left side printout position is incorrect.	The label size is set up incorrectly.	Set the correct label size.
	The Shift X setting is incorrect.	Fine-tune the Shift X setting. For more information, see 7.1.1 FBPL Settings .
The printing position of small labels is incorrect.	The media sensor sensitivity is not set correctly.	Calibrate the sensor sensitivity again.
	The label size is incorrect.	Set the correct label size and gap size.
	The Shift Y setting is incorrect.	Fine-tune the Shift Y setting. For more information, see 7.1.1 FBPL Settings .
	The vertical offset setting in the driver is incorrect.	If using the BarTender software, set the Vertical Offset in the driver. 

11.2 Touchscreen Error Messages

TJ-4021TN/TJ-4021TNR/TJ-4121TN/TJ-4121TNR

When an error occurs, the Touchscreen displays the appropriate error message.

Error Message	Possible Cause	Solution
Carriage Open	The printer carriage is open.	Close the print carriage.
Not Printing	The serial or USB cable is not connected correctly.	Reconnect the serial or USB cable.
	The wireless device may be connected incorrectly to the printer.	Reset the device's wireless settings and set up the device again.
	The serial or USB cable may be damaged.	Try a new cable.
	The port specified in the Windows driver is not correct.	Specify the correct port.
	The Print Head may need cleaning.	Clean the Print Head.
	The Print Head's harness connector may not be connected correctly with the Print Head.	Turn off the printer and plug the Print Head's harness connector to the Print Head again.
	Your custom program may not contain the necessary commands.	Make sure that your program contains the PRINT command at the end of the file and a CRLF at the end of each command line.
No print on the label	The ribbon/media is loaded incorrectly.	Reload the media/ribbon.
		Make sure the ink coated ribbon is set in the correct position.
	The ribbon/media is incompatible.	Install the correct ribbon/media.
	The print density is set incorrectly.	Adjust the print density.
No Ribbon	The ribbon has finished.	Install a new ribbon roll. To install a new ribbon roll, see section 3.2 Load the Ribbon .
	The ribbon is installed incorrectly.	Reinstall the ribbon. To install the ribbon roll, see section 3.2 Load the Ribbon .
No Paper	The label roll has finished.	Install a new label roll. To install a new label roll, see section 3.4 Load the Media .
	The label is installed incorrectly.	Reinstall the label roll. To install the label roll, see section 3.4 Load the Media .
	The Gap/Black Mark Sensor is not calibrated.	Calibrate the Gap/Black Mark Sensor.
Paper Jam	The Gap/Black Mark Sensor is not calibrated.	Calibrate the Gap/Black Mark Sensor.
	The label size is not set correctly.	Set the label size correctly.
	A paper jam occurred inside the printer.	Remove the jammed paper.
Take Label	Peeler Mode is enabled.	Remove the label.

11.3 RFID Error Messages

The RFID encoder can detect several errors. When these errors occur, the RFID encoder alerts the printer and the Touchscreen displays the appropriate error message.

Error Message	Possible Cause	Solution
RFID Is Disabled	The RFID function is not activated.	Select RFID > Control > RFID Active to enable the RFID function.
Failure EPC Write Failed	The EPC tag cannot be written via Diagnostics > Write EPC with 1s or Write EPC with 2s .	<ul style="list-style-type: none"> • The label could be misaligned. Perform the Sensor > Auto Calibration procedure to ensure the label is at top-of-form. • Select RFID > Tag Calibration > Do RFID Calibrate. • Use smart labels with RFID tags located in the correct position. • The RFID tag could be defective. Try another tag. • Make sure the application does not send too few or too many digits to the RFID tag.
RFID Calibrate Write Tag Failed	Tag calibration cannot be performed.	<ul style="list-style-type: none"> • The label could be misaligned. Perform the Sensor > Auto Calibration procedure to ensure the label is at top-of-form. • Use smart labels with RFID tags located in the correct position. • The RFID tag could be defective. Try another tag.
RFID Disabled	The RFID command is sent to the printer when the RFID function is disabled.	<ol style="list-style-type: none"> 1. Select RFID > Control > RFID Active to enable the RFID function. 2. Send RFID commands.
NON-RFID DATA On RFID Tag	When the "Non-RFID warning" option is "ON" (RFID > Control > Non-RFID Warning), the printer has obtained the non-RFID data.	Make sure you send RFID commands to the printer.
INVALID RFID DATA	The RFID tag data sent does not match the settings.	Check the tag data of the RFID commands.
INVALID RFID DATA LEN	The tag length size (the size parameter of RFID command) sent does not match the setting.	Check the data length size of the RFID commands.
RFID TAG FAILED	The tag cannot be written.	<ul style="list-style-type: none"> • The label could be misaligned. Perform the Sensor > Auto Calibration procedure to ensure the label is at top-of-form. • Select RFID > Tag Calibration > Do RFID Calibrate. • Use smart labels with RFID tags located in the correct position. • The RFID tag could be defective. Try another tag. • Make sure the application does not send too few or too many digits to the RFID tag. • Check that the RFID commands are correct.
RFID ERROR No Tag Found	The tag cannot be read.	<ul style="list-style-type: none"> • Make sure the media are smart labels with RFID tags located in the correct position.

Error Message	Possible Cause	Solution
		<ul style="list-style-type: none"> • The RFID tag could be defective. Try another tag.
<p style="text-align: center;">Remove Label or No Paper</p>	<p>The label is jammed inside the machine or the paper size is not correct.</p>	<ul style="list-style-type: none"> • Remove the label carefully so as not to damage the printer. • Make sure the media are smart labels that have RFID tags located in the correct position. • To reduce vibration to the printer, position the printer so printed labels can fall freely to a lower surface. • Calibrate the Gap/Black Mark Sensor. • Set the label size correctly.

 **Note**

If you cannot write RFID tags:

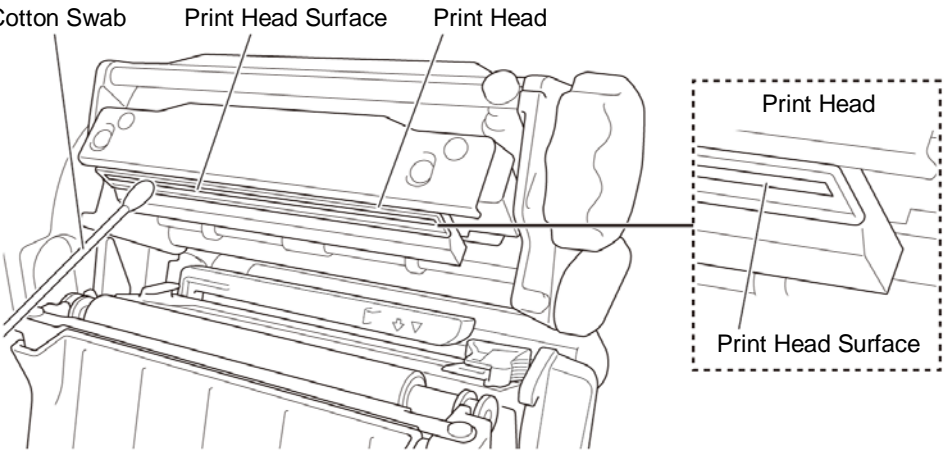
- Make sure you are using smart labels with RFID tags located in the correct position.
 - The RFID tag could be defective. Try another tag.
 - Set the label size correctly, and then calibrate the RFID tag.
 - Set the sensor sensitivity correctly (using the Touchscreen: **Sensor > Gap/Blind Ref Rate**).
 - Check the data length size of the RFID commands.
-

12. Maintenance

We recommend cleaning your printer on a regular basis to maintain its correct performance.

Recommended cleaning materials:

- Cotton swab
- Lint-free cloth
- Vacuum / Blower brush
- Compressed air
- Isopropyl alcohol or ethanol

Printer Part	Cleaning Method	Interval
<p>Print Head</p>	<ol style="list-style-type: none"> 1. Turn the printer off. 2. Allow the Print Head to cool down for at least one minute. 3. Wipe the Print Head with a cotton swab dipped in isopropyl alcohol or ethanol. 	<p>Clean the Print Head when changing a label roll.</p>
		
<p>Platen Roller</p>	<ol style="list-style-type: none"> 1. Turn the printer off. 2. Rotate the Platen Roller and wipe it thoroughly with a lint-free cloth or cotton swab dipped in isopropyl alcohol or ethanol. 	<p>Clean the Platen Roller when changing a new label roll.</p>
<p>Peel Bar</p>	<p>Wipe with a lint-free cloth dipped in isopropyl alcohol or ethanol.</p>	<p>As needed.</p>
<p>Sensor</p>	<p>Use compressed air or vacuum.</p>	<p>Monthly.</p>
<p>Exterior</p>	<p>Wipe the printer exterior with a lint-free cloth dipped in water.</p>	<p>As needed.</p>
<p>Interior</p>	<p>Use a brush or vacuum.</p>	<p>As needed.</p>

 **Note**

- Do not touch the Print Head. If you have touched it, clean it as described above.
 - Do not use medical alcohol as it may damage the Print Head. Use isopropyl alcohol or ethanol according to the manufacturer's safety guidelines, as applicable.
 - To maintain correct performance, we recommend cleaning the Print Head and sensors every time you install a new ribbon.
-

IMPORTANT

Securely dispose of any printers, components, and supplies if they are no longer going to be used. Ensure there is no jammed paper in the printer and destroy the thermal transfer ribbon if it has retained any visible prints.

brother

Free Manuals Download Website

<http://myh66.com>

<http://usermanuals.us>

<http://www.somanuals.com>

<http://www.4manuals.cc>

<http://www.manual-lib.com>

<http://www.404manual.com>

<http://www.luxmanual.com>

<http://aubethermostatmanual.com>

Golf course search by state

<http://golfingnear.com>

Email search by domain

<http://emailbydomain.com>

Auto manuals search

<http://auto.somanuals.com>

TV manuals search

<http://tv.somanuals.com>