

### Benefits You Can Depend On

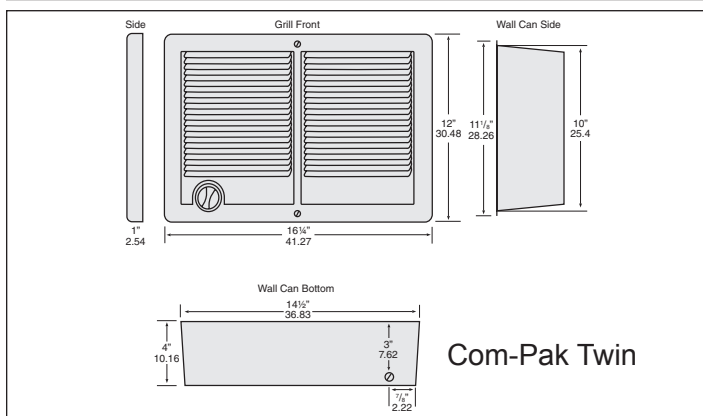
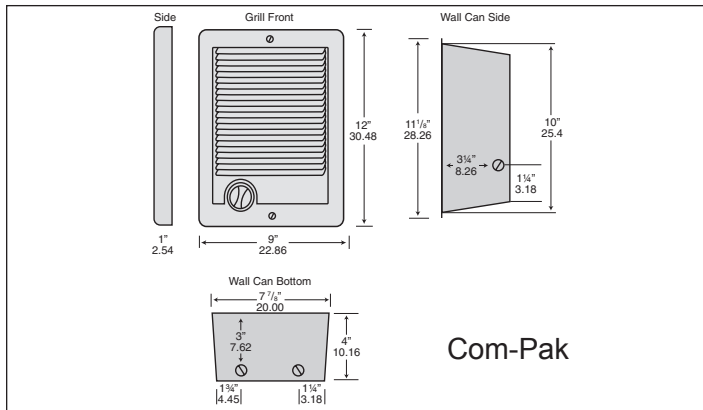
- DUAL SAFETY FEATURES
  - Primary: "power reset" thermal switch
  - Secondary: over temperature thermal fuse
- Heating element style quickly warms your room, and quickly cools when heater is not in use
- Common sense components designed with you in mind
  1. NO sharp edges
  2. Corrosion resistant
  3. Easy to install heater, one screw
  4. Easy to install wall can
- Your Cadet heater has been thoroughly tested and is guaranteed with a **2 year extended warranty**



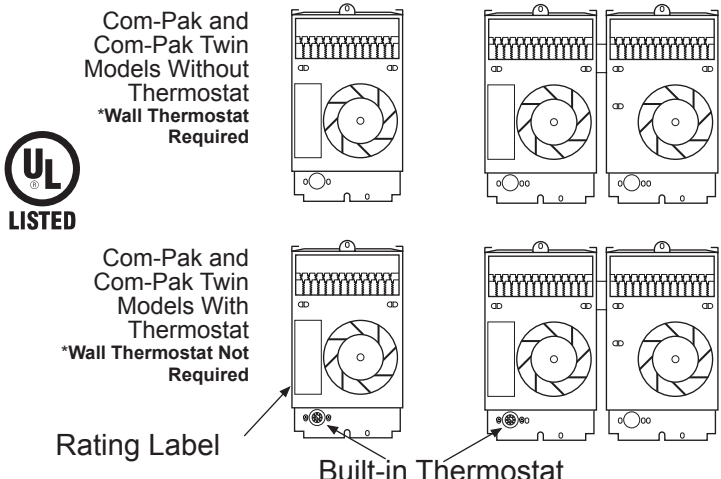
Com-Pak Models				
Line Voltage	Model w/o Thermostat	Model w/ Thermostat (1)	Watts	Amps
120	CS051	CS051T	500	4.2
	CS101	CS101T	1000	8.3
	CS151	CS151T	1500	12.5
208	CS058	CS058T	500	2.4
	CS078	CS078T	750	3.6
	CS108	CS108T	1000	4.8
	CS118	CS118T	1100	5.3
	CS158	CS158T	1500	7.2
	CS208	CS208T	2000	9.6
240 (2)	CS052	CS052T	500	2.1
	CS072	CS072T	750	3.1
	CS102	CS102T	1000	4.2
	CS122	CS122T	1250	5.2
	CS152	CS152T	1500	6.3
	CS202	CS202T	2000	8.3

Com-Pak Twin Models				
Line Voltage	Model w/o Thermostat	Model w/ Thermostat (1)	Watts	Amps
208	CST308	CST308T	3000	14.4
	CST408	CST408T	4000	19.2
240 (2)	CST102	CST102T	1000	4.2
	CST152	CST152T	1500	6.3
	CST202	CST202T	2000	8.3
	CST302	CST302T	3000	12.5
	CST402	CST402T	4000	16.7

(1) Standard built-in thermostat is single pole and has no "OFF" position.  
 (2) 240 volt models can be used at 208 volts. Wattage equals 75% of 240v rated wattage.



- TOOLS REQUIRED:**
- Phillips Screwdriver
  - Straight Screwdriver
  - Wire Strippers
  - Utility Knife
  - (4) 1 1/2" Wood Screws
  - Insulated Wire Connectors
  - (1) Strain Relief Connector



**SAVE THESE INSTRUCTIONS**

# IMPORTANT INSTRUCTIONS

## ⚠️ WARNING

When using electrical appliances, basic precautions should always be followed to reduce the risk of fire, electric shock, and injury to persons, including the following:

1. Read all instructions before installing or using this heater.

## 2. ⚠️ WARNING

Risk of Fire. This heater is hot when in use. Caution—High Temperature. Risk of Fire. Keep electrical cords, drapery, furnishings, and other combustibles at least 3 feet from the front of the heater and 6 inches above and on both sides.

## 3. ⚠️ WARNING

Burn Hazard. To avoid burns, do not let bare skin touch hot surfaces. Extreme caution is necessary when any heater is used by or near children or invalids and whenever the heater is left operating and unattended.

## 4. ⚠️ WARNING ⚠️

Risk of Electrical Shock. Do not operate any heater after it malfunctions. Disconnect power at service panel and have heater inspected by a qualified electrician before reusing.

## 5. ⚠️ WARNING

Do not use outdoors.

6. To disconnect heater, turn controls to off, and turn off power to heater circuit at main disconnect panel.

## 7. ⚠️ WARNING ⚠️

Risk of Electrical Shock. Do not insert or allow foreign objects to enter any ventilation or exhaust opening as this may cause an electric shock or fire, or damage the heater.

## 8. ⚠️ WARNING

Risk of Fire. To prevent a possible fire, do not block air intakes or exhaust in any manner.

## 9. ⚠️ WARNING

Fire or explosion may occur. A heater has hot and arcing or sparking parts inside. Do not use it in areas where gasoline, paint, or flammable vapors or liquids are used or stored.

10. Use this heater only as described in this manual. Any other use not recommended by the manufacturer may cause fire, electrical shock, or injury to persons.

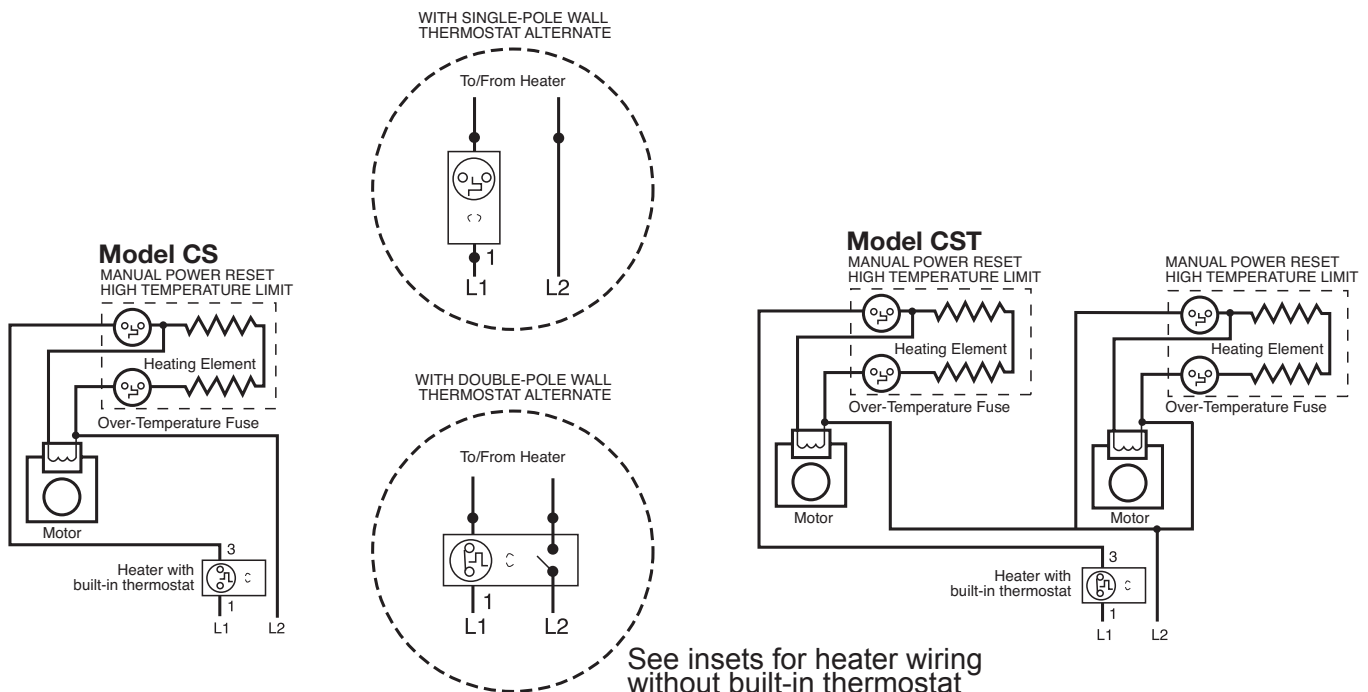
11. The heater must be properly installed before it is used.

## 12. ⚠️ WARNING ⚠️

Risk of Electrical Shock and Fire. Do not operate without grill.

13. Save these instructions.

## Wiring Diagram



# SAVE THESE INSTRUCTIONS

# INSTALLATION INSTRUCTIONS

## 1. ⚠️ WARNING

Verify that the electrical supply wires are the same voltage as the heater.

2. If replacing an existing heater, check the label of the old heater.

3. All electrical work and materials must comply with the National Electric Code (NEC), the Occupational Safety and Health Act (OSHA), and all state and local codes.

4. If you need to install a new circuit or need additional wiring information, consult a qualified electrician.

5. Use copper conductors only.

## 6. ⚠️ WARNING ⚠️

Risk of Electrical Shock. DO NOT install the heater directly above bathtub or sink. DO NOT install in shower stall area (Manufacturer recommends a minimum 2 foot clearance).

7. Heater must be installed in a wall can:

Model CS Wall Can CC  
Model CST Wall Can WC1

## 8. ⚠️ WARNING

Risk of Fire. DO NOT install the heater in a floor, in the ceiling, below a towel bar, behind a door, or anywhere the air discharge may be blocked in any manner.

## 9. ⚠️ WARNING

Fire or Explosion May Occur. A heater has hot and arcing or sparking parts inside. Do not use it in areas where gasoline, paint, or flammable vapors or liquids are used or stored.

## 10. ⚠️ WARNING ⚠️

Risk of Electrical Shock. Connect grounding lead to grounding screw provided. Keep all foreign objects out of heater.

## 11. ⚠️ WARNING

Risk of Fire. This heater is hot when in use. Caution—High Temperature. Risk of Fire. Keep electrical cords, drapery, furnishings, and other combustibles at least 3 feet from the front of the heater and 6 inches above and on both sides.

## Part One

**PLACEMENT:** Install the Com-Pak, model CS, vertically (recommended), horizontally, or in the ceiling. For ceiling mounting, refer to instructions on page 4. The Com-Pak Twin (Model CST) must be installed with the arrows in the wall can pointing upwards.

**THERMOSTAT:** A wall thermostat is required for models without a built-in thermostat. A Cadet electronic thermostat is recommended for ultimate control and comfort.

### How do I install for new construction?

#### STEP 1 Mount The Wall Can

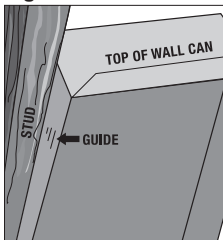
REQUIRED MINIMUM distance of 6 inches from adjacent surfaces and 4-1/2 inches from the floor (See Figures 4 & 5). However, Cadet RECOMMENDS 12 inches from adjacent surfaces and floor for longer and cleaner performance. Heaters must be spaced at least 3 feet apart.

Review the wall can label for correct direction (as noted by the UP arrows) before mounting the wall can to the stud. In the VERTICAL mounting position the element of the heater assembly will be at the TOP. In the HORIZONTAL mounting position the element of the heater assembly will be to the LEFT.

**Model CS:** Keeping front of the wall can flush with the finished wall surface (See Figure 1), secure the wall can to the stud with 2 screws (not included) through holes provided in the wall can. The rubber shim provided may be attached to the side of the wall can to square the wall can to the stud (See Figure 2).

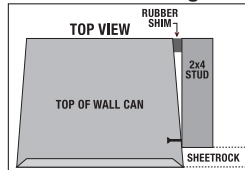
**Model CST:** Keeping front of the wall can flush with the finished wall surface (See Figure 1), secure the wall can to both wall studs with 4 screws (not included) through holes provided in the wall can.

Figure 1



Face of wall can must extend 1/2 inch or 5/8 inch from face of stud to allow for thickness of sheetrock.

Figure 2



Attach wall can to stud with screws. (Model CS shown)

#### STEP 2 Route Supply Wires

Route supply wire from the circuit breaker, to the thermostat, to the wall can. For models with a built-in thermostat, route supply wire from the circuit breaker to the wall can. Remove a knockout from the wall can and attach the supply wire with a strain relief connector (not included) leaving a minimum of 6 inches wire lead for later use. Connect supply ground wire to grounding screw in wall can (See Figure 3). Proceed to PART TWO.

### How do I install in an existing wall?

#### STEP 1 Cut A Hole In The Wall

REQUIRED MINIMUM distance of 6 inches from adjacent surfaces and 4-1/2 inches from the floor (See Figures 4 & 5). However, Cadet RECOMMENDS 12 inches from adjacent surfaces and floor for longer and cleaner performance. Heaters must be spaced at least 3 feet apart.

**Model CS:** Cut a hole 8 inches wide by 10-1/4 inches high next to a wall stud.

**Model CST:** Cut a hole 14-5/8 inches wide by 10-1/4 inches high next to a wall stud.

#### STEP 2 Route Supply Wires

Route supply wire from the circuit breaker, to the thermostat, to the wall can. For models with an in-built thermostat, route supply wire from the circuit breaker to the wall can. Remove a knockout from the wall can and attach the supply wire with a strain relief connector (not included) leaving a minimum of 6 inches wire lead for later use. Connect supply ground wire to grounding screw in wall can (See Figure 3).

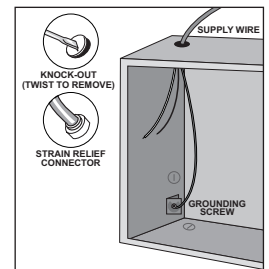


Figure 3

#### STEP 3 Mount The Wall Can

Review the wall can label for correct direction (as noted by the UP arrows) before mounting the wall can to the stud. In the VERTICAL mounting position the element of the heater assembly will be at the TOP. In the HORIZONTAL mounting position the element of the heater assembly will be to the LEFT. Insert wall can into wall opening.

**Model CS:** Keeping front of the wall can flush with the finished wall surface, secure the wall can to the stud with 2 screws (not included) through holes provided in the wall can. The rubber shim provided may be attached to the side of the wall can to square the wall can to the stud (See Figure 2).

**Model CST:** Keeping front of the wall can flush with the finished wall surface (See Figure 1), secure the wall can to both wall studs with 4 screws (not included) through holes provided in the wall can.

Proceed to PART TWO.

# INSTALLATION INSTRUCTIONS (continued)

## Part One

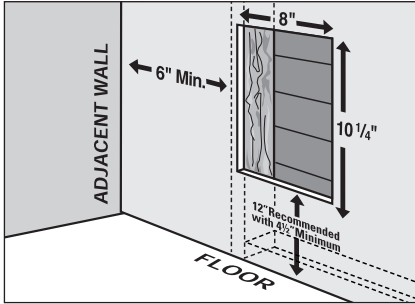


Figure 4  
Model CS

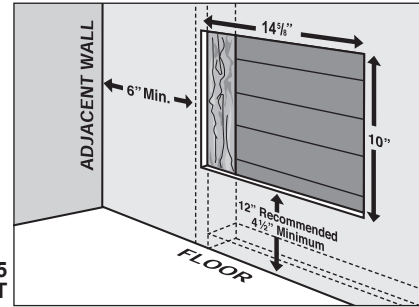


Figure 5  
Model CST

### How do I install for a ceiling mount?

#### STEP 1 Mount The Wall Can

##### Important:

1. For models up to 1,500 Watts – **MAXIMUM**.
2. Do not mount the heater in low-density fiber board or false ceilings.
3. Models with a built-in thermostat are not recommended.

REQUIRED MINIMUM distance of 6 inches from adjacent surfaces (See Figure 6). However, Cadet RECOMMENDS 12 inches from adjacent surfaces for longer and cleaner performance.

Secure the wall can to studs/rafters on opposite sides (See Figures 6 and 7) with 4 screws (not provided). The face of the wall can must extend 1/2 or 5/8 inch from face of rafters to allow for thickness of sheetrock.

#### STEP 2 Route Supply Wires

Important: Supply connections must use wires suitable for at least 167°F (75°C).

Route supply wire from the circuit breaker, to the thermostat, to the wall can. Remove a knockout from the wall can and attach the supply wire with a strain relief connector (not included) leaving a minimum of 6 inches wire lead for later use. Connect supply ground wire to grounding screw in wall can (See Figure 3). Proceed to PART TWO.

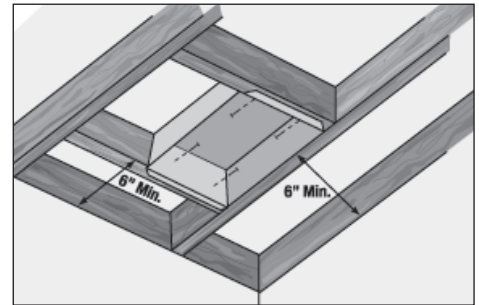


Figure 6  
(Model CS shown)

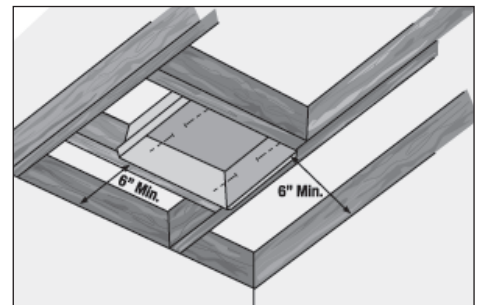


Figure 7  
(Model CS shown)

## Part Two

After you have followed all instructions in PART ONE you are ready to install the heater assembly.

### How do I insert the heater assembly into the wall can?

#### STEP 1 Install Heater Assembly

Turn the heater face down, element facing down and the motor facing you. Connect the supply wires to the heater wires with wire connectors (not included) (See Figure 8). Rotate the heater up so that the element and fan are facing you, with the fan below the element. Insert the bottom edge of the heater assembly into the tabs in the bottom lip of the wall can (See Figure 9).

**Important:** Push wires into bottom of wall can during insertion. Be sure that supply wires are not caught between motor and wall can. Attach heater assembly at top with screw provided.

#### STEP 2 Install Grill

Secure grill with the screws provided. If you have a built-in thermostat model, slide thermostat knob onto shaft. Turn power on at the electrical panel board.

Warranty is void if any material is sprayed on the element or blower. Use a paint mask to cover any exposed areas of the heater if walls are to be textured or painted.

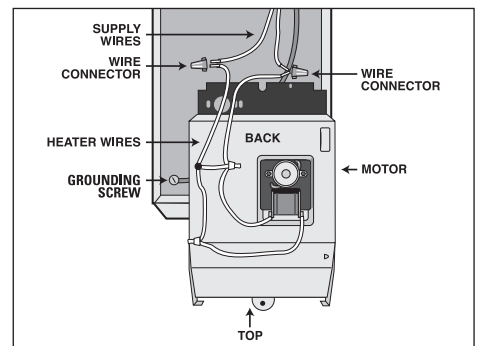


Figure 8

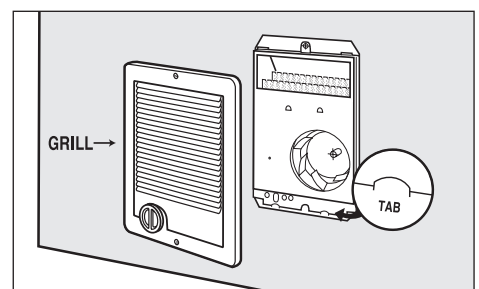


Figure 9

# OPERATING INSTRUCTIONS

**⚠ WARNING** Risk of Electrical Shock and Fire. The heater must be properly installed before it is used.

1. Do not operate without grill.
2. Keep electrical cords, drapery, furnishings and other combustibles at least 3 feet away from the front of the heater and 6 inches away from the sides.
3. Do not tamper with the over temperature limit control.
4. If the heater over temperature limits trip more than once per day, the heater must be replaced.

## How to operate your heater

The room temperature is controlled by a line voltage thermostat located either on the wall, or at the lower left on the heater (See Page 1; In-built Thermostat).

1. Once installation is complete and power has been restored, turn the thermostat knob fully clockwise.
2. When the room reaches your comfort level, turn the thermostat knob counterclockwise until the heater turns off. The heater will automatically cycle around this preset temperature.
3. To reduce the room temperature, turn the knob counterclockwise. To increase the room temperature, turn the knob clockwise.

5. Clean heater at least every six months.
6. After allowing the heater to cool, turn power off at circuit breaker panel before removing grill.
7. Use a hair dryer or vacuum on blow cycle to blow debris through the top element (do not touch element).
8. Install the grill before turning on power.

**⚠ WARNING:** Any other service not detailed in this Owner's Guide should be performed by an authorized service representative.

## Over Temperature-Limiting Controls

If normal operating temperatures are exceeded (due to abnormal circumstances), the heater has two temperature-limiting controls (for Model CST, four controls are used). Both limiting controls are located on the element assembly. The first is a manual power reset limit control, designed to open the heater circuit when excessive operating temperatures are detected. The problem must be assessed and the limit must be reset to resume operation.

Further protection is provided by a secondary over-temperature fuse, which will open the heater circuit in severe over-temperature conditions, or in the event of component failure. If this occurs, the heater must be repaired or replaced.

## Resetting the Manual Power Reset Limit Control

If the manual power reset limit has opened the heater circuit due to excessive operating temperatures, the heater will not work until it is reset. This can be done at the thermostat or the circuit breaker controlling the heater.

### To Reset Heater at the Thermostat

1. Lower the temperature on the thermostat below room temperature.
2. Allow the unit to cool for at least 20 minutes.
3. Resolve the problem causing the limit to trip (typically the heater is blocked or needs cleaning, see Maintenance Instructions).
4. Raise the temperature on the thermostat back above room temperature. The heater should come back on. If it does not come back on, reset heater at the circuit breaker, using directions below. An additional 20 minute waiting period is required every time the power is turned off. Restoring power, even briefly, will heat the limit even though the heater does not come on.
5. The heater is now functional and the thermostat can be reset to your comfort level.

Note that resetting the manual power reset control may not restore heater operation if a severe over-temperature condition has occurred. See the Troubleshooting Guide on next page for more information.

### To Reset Heater at the Circuit Breaker (recommended if room temperature is below 45°)

1. Trip the breaker by switching it to the OFF position.
2. Allow the unit to cool for at least 20 minutes.
3. Resolve the problem causing the limit to trip (typically the heater is blocked or needs cleaning, see Maintenance Instructions).
4. Restore power to the heater by switching the breaker to the ON position.
5. Raise the temperature on the thermostat above room temperature. The heater should come back on. An additional 20 minute waiting period is required every time the power is turned off. Restoring power, even briefly, will heat the limit even though the heater does not come on.
6. The heater is now functional and the thermostat can be reset to your comfort level.

## Warranty

For more effective and safer operation and to prolong the life of the heater, read the Owner's Guide and follow the maintenance instructions. Failure to properly maintain the heater will void any warranty and may cause the heater to function improperly. Warranties are non transferable and apply to original consumer only. Warranty terms are set out below.

**LIMITED TWO-YEAR WARRANTY:** Cadet will repair or replace any Com-Pak (CS), Com-Pak Twin (CST) heater found to be defective within two years after the date of purchase.

### These warranties do not apply:

1. Damage occurs to the product through improper installation or incorrect supply voltage;
2. Damage occurs to the product through improper maintenance, misuse, abuse, accident, or alteration;
3. The product is serviced by anyone other than Cadet;
4. If the date of manufacture of the product cannot be determined;
5. If the product is damaged during shipping through no fault of Cadet.
6. CADET'S WARRANTY IS LIMITED TO REPAIR OR REPLACEMENT AS SET OUT HEREIN. CADET SHALL NOT BE LIABLE FOR DAMAGES SUCH AS PROPERTY DAMAGE OR FOR CONSEQUENTIAL DAMAGES AND/OR INCIDENTAL EXPENSES RESULTING FROM BREACH OF THESE WRITTEN WARRANTIES OR ANY EXPRESS OR IMPLIED WARRANTY.

7. IN THE EVENT CADET ELECTS TO REPLACE ANY PART OF YOUR CADET PRODUCT, THE REPLACEMENT PARTS ARE SUBJECT TO THE SAME WARRANTIES AS THE PRODUCT. THE INSTALLATION OF REPLACEMENT PARTS DOES NOT MODIFY OR EXTEND THE UNDERLYING WARRANTIES. REPLACEMENT OR REPAIR OF ANY CADET PRODUCT OR PART DOES NOT CREATE ANY NEW WARRANTIES.

8. These warranties give you specific legal rights, and you may also have other rights which vary from state to state. Cadet neither assumes, nor authorizes anyone to assume for it, any other obligation or liability in connection with its products other than as set out herein.

If you believe your Cadet product is defective, please contact Cadet Manufacturing Co. at 360-693-2505, during the warranty period, for instructions on how to have the repair or replacement processed. Warranty claims made after the warranty period has expired will be denied. Products returned without authorization will be refused.

### Parts and Service

Visit [cadetheat.com/parts-service](http://cadetheat.com/parts-service) for information on where to obtain parts and service.

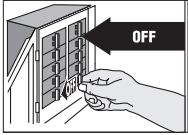
### Reduce-Reuse-Recycle

This product is made primarily of recyclable materials. You can reduce your carbon footprint by recycling this product at the end of its useful life. Contact your local recycling support center for further recycling instructions.



# MAINTAINING YOUR HEATER

**Maintenance As Needed, or every six months minimum.**



**⚠ WARNING!** Before removing grill, turn the electrical power off at the electrical panel board (circuit breaker or fuse box). Lock or tag the panel board door to prevent someone from accidentally turning the power on while you are working on the heater. Failure to do so could result in serious electrical shock, burns, or possible death.

**⚠ WARNING:** Any other service not detailed in this Owner's Guide should be performed by an authorized service representative.

1. It is important that you verify power has been turned off and no power is going to the heater before proceeding. Circuit breakers are often not marked correctly and turning the wrong breaker off could mean electricity is flowing to the heater, even if the heater does not appear to be working. If you are uncomfortable working with electrical appliances, unable to follow these guidelines, or do not have the necessary equipment, consult a qualified electrician.
2. Once you verify the power has been turned off correctly, proceed to the next step.
3. Remove thermostat knob (if any), screws and take off grill.
4. Wash grill with hot soapy water and dry immediately.
5. While holding fan (to avoid damage or bending), use a hair dryer or vacuum on blow cycle to blow debris through the top element (do not touch element).
6. Vacuum fan area without touching the elements.
7. Do not lubricate motor.
8. Replace grill and secure with screws. Replace thermostat knob.
9. Turn thermostat to desired setting.
10. Turn power back on at the electrical panel board.

## Troubleshooting Chart

**\*CONSULT LOCAL ELECTRICAL CODES TO DETERMINE WHAT WORK MUST BE PERFORMED BY QUALIFIED ELECTRICAL SERVICE PERSONNEL.**

Symptom	Problem	Solution
Breaker trips immediately upon energizing heater.	<ol style="list-style-type: none"> <li>1. Incorrect supply voltage.*</li> <li>2. Overloaded circuit.*</li> <li>3. A short circuit exists in the supply or heater wiring.*</li> <li>4. Defective circuit breaker.*</li> </ol>	<ol style="list-style-type: none"> <li>1. Verify that supply voltage matches the heater rating.</li> <li>2. The total amperage of all heaters on a branch circuit must not be more than 80% of the amperage rating of the circuit breaker and supply wire ratings. Use a lower wattage heater, or reduce the number of heaters on the circuit.</li> <li>3. Shorted supply or heater wires may be accompanied by severe sparking. Inspect all supply and heater wiring insulation for damage. Do not reset the circuit breaker until all electrical shorts have been repaired.</li> <li>4. Replace the circuit breaker.</li> </ol>
Heater fan operates, but does not discharge warm air.	<ol style="list-style-type: none"> <li>1. Insufficient element temperature.</li> <li>2. Incorrect supply voltage.*</li> <li>3. Element has failed.*</li> <li>4. (Model CST only) One of the heater units over temperature controls must be reset.</li> </ol>	<ol style="list-style-type: none"> <li>1. Allow a few moments for element to reach operating temperature.</li> <li>2. Verify that supply voltage matches the heater rating.</li> <li>3. Replace element.</li> <li>4. CST models have two heating units with independent over-temperature controls. One of the high-temperature manual power reset controls may trip and cut power to one of the heating units, while the other remains running, resulting in only half output. Reset the heater unit (see "Operating" section for "Resetting the Manual Power Reset Limit Control").</li> </ol>
Heater will not shut off.	<ol style="list-style-type: none"> <li>1. Heat loss from room is greater than heater capacity.*</li> <li>2. Defective thermostat.</li> <li>3. Thermostat wired incorrectly to heater.*</li> </ol>	<ol style="list-style-type: none"> <li>1. Close doors and windows. Provide additional insulation, or install a higher wattage heater or multiple heaters if necessary. (If your circuit is rated for more capacity.)</li> <li>2. Adjust thermostat to its lowest setting. If heater continues to run (allow two minutes for the thermostat to respond), and room temperature is greater than 50°; replace the thermostat.</li> <li>3. Refer to thermostat documentation and correct wiring.</li> </ol>
Heater discharges smoke or emits a burnt odor.	<ol style="list-style-type: none"> <li>1. Dust, lint or other matter has accumulated inside heater.</li> <li>2. Poor or loose electrical connections.</li> </ol>	<ol style="list-style-type: none"> <li>1. Clean heater (see "Maintenance" section above for instructions).</li> <li>2. Turn off power at circuit breaker. Inspect all supply and heater wire connections to make sure nothing is loose or poorly connected. Secure or reconnect all loose connections. Do not reset circuit breaker until all connections have been checked and repaired.</li> </ol>
Element heats for a moment without the fan turning, then immediately stops heating.	<ol style="list-style-type: none"> <li>1. Defective motor or internal connection.*</li> <li>2. Fan or motor jammed.</li> </ol>	<ol style="list-style-type: none"> <li>1. Heater or fan motor requires replacement.</li> <li>2. Remove obstruction and follow instructions in the "Operating" section for "Resetting the Manual Power Reset Limit Control." Test heater operation. If heater does not run, heater requires repair or replacement.</li> </ol>
Heater does not run.	<ol style="list-style-type: none"> <li>1. Thermostat set too low.</li> <li>2. Heater has tripped the power reset high-temperature control.</li> <li>3. Heater has tripped the secondary over-temperature fuse.</li> <li>4. Power not on at the circuit breaker.</li> <li>5. Broken or poorly connected wire(s) to heater.</li> <li>6. Defective thermostat.</li> </ol>	<ol style="list-style-type: none"> <li>1. Adjust thermostat to a higher temperature until heater operates (see Problem #6 if the problem persists).</li> <li>2. Follow instructions in the "Operating" section for "Resetting the Manual Power Reset Limit Control." If room temperature is below 45°, see "Reset Heater at the Circuit Breaker" instructions.</li> <li>3. A severe over-temperature condition has occurred. Repair or replace heater.</li> <li>4. Turn on the correct circuit breaker in the main panel.</li> <li>5. Turn off power at circuit breaker. Check supply wire continuity and proper connection to heater wires.</li> <li>6. The entire heater, or any of its components may be checked for continuity to determine the cause of any problems. Repair or replace the heater or thermostat.</li> </ol>

### Beneficios En Las Que Puede Confiar

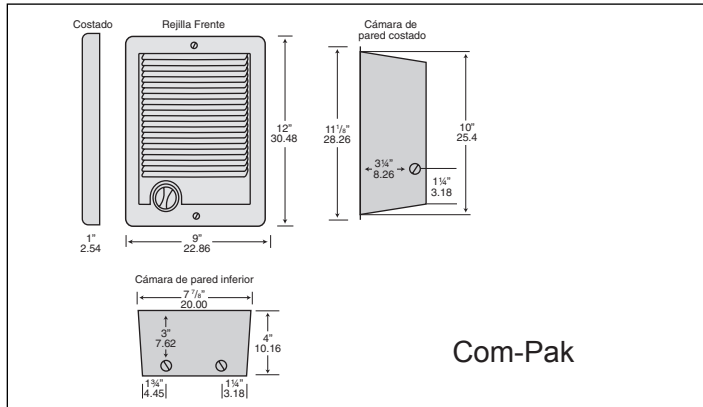
- CARACTERÍSTICAS DE DOBLE SEGURIDAD
  - Primaria: interruptor térmico con “reinicio de potencia”
  - Secundaria: fusible térmico de sobretemperatura
- El estilo de elemento calentador calefacciona rápidamente el ambiente y se enfría con rapidez cuando no está en uso
- Componentes con sentido común diseñados pensando en usted
  1. SIN bordes filosos
  2. Resistentes a la corrosión
  3. Calentador fácil de instalar con un solo tornillo
  4. Cámara de pared fácil de instalar
- Su calentador Cadet ha sido completamente probado y cuenta con una **garantía extendida de 2 años**



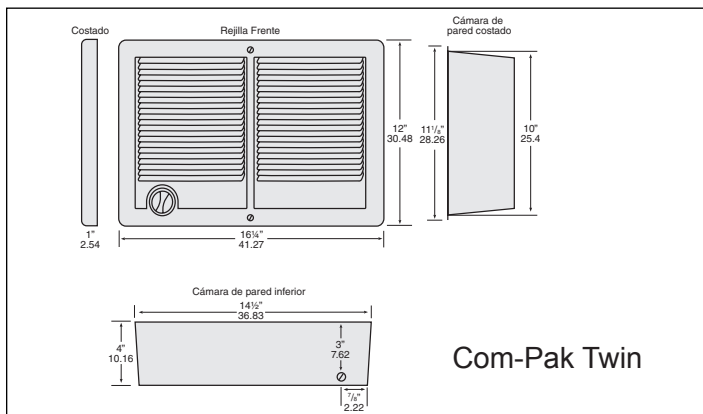
Com-Pak Modelos				
Voltaje línea	Modelo sin Termostato	Modelo con Termostato (1)	Vatios	Amps
120	CS051	CS051T	500	4.2
	CS101	CS101T	1000	8.3
	CS151	CS151T	1500	12.5
208	CS058	CS058T	500	2.4
	CS078	CS078T	750	3.6
	CS108	CS108T	1000	4.8
	CS118	CS118T	1100	5.3
	CS158	CS158T	1500	7.2
	CS208	CS208T	2000	9.6
240 (2)	CS052	CS052T	500	2.1
	CS072	CS072T	750	3.1
	CS102	CS102T	1000	4.2
	CS122	CS122T	1250	5.2
	CS152	CS152T	1500	6.3
	CS202	CS202T	2000	8.3

Com-Pak Twin Modelos				
Voltaje línea	Modelo sin Termostato	Modelo con Termostato (1)	Vatios	Amps
208	CST308	CST308T	3000	14.4
	CST408	CST408T	4000	19.2
240 (2)	CST102	CST102T	1000	4.2
	CST152	CST152T	1500	6.3
	CST202	CST202T	2000	8.3
	CST302	CST302T	3000	12.5
	CST402	CST402T	4000	16.7

(1) Termostato estándar incorporado de un solo polo y sin posición de apagado (OFF)  
 (2) Los modelos de 240 voltios pueden usarse a 208 voltios. El vatiaje es igual al 75% de la potencia nominal de 240 v.

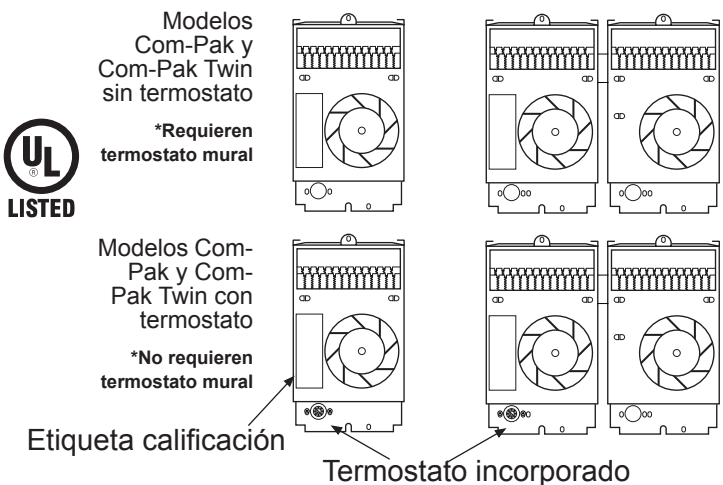


Com-Pak



Com-Pak Twin

- HERRAMIENTAS NECESARIAS:**
- Destornillador Phillips
  - Destornillador plano
  - Pelacables
  - Cuchillo multiuso
  - (4) tornillos de 1/2" para madera
  - Conectores de alambre aislados
  - (1) conector de alivio de tensión



**CONSERVE ESTAS INSTRUCCIONES**

# INSTRUCCIONES IMPORTANTES

## ⚠️ ADVERTENCIA

Al utilizar artefactos eléctricos, siempre se deben adoptar precauciones básicas para reducir el riesgo de incendios, electrocución y lesiones personales, incluyendo lo siguiente:

1. Lea todas las instrucciones antes de instalar o usar este calentador.

## 2. ⚠️ ADVERTENCIA

Riesgo de incendio. Este calentador se calienta mucho cuando está en uso. Precaución – Alta temperatura. Riesgo de incendio. Mantenga los cables eléctricos, cortinas, muebles, y demás materiales combustibles a por lo menos 3 pies por delante y a 6 pulgadas por encima y por ambos costados del calentador.

## 3. ⚠️ ADVERTENCIA

Riesgo de quemaduras. Para evitar quemaduras, no lo toque con su piel descubierta. Tenga mucho cuidado cuando algún tipo de calentador sea usado por o cerca de niños o de personas inválidas, y cada vez que lo deje funcionando sin vigilancia.

## 4. ⚠️ ADVERTENCIA ⚠️

Riesgo de electrocución. No opere ningún calentador después de una avería. Desconecte la alimentación en el panel de servicio y pida a un técnico electricista calificado que lo revise antes de volver a usarlo.

## 5. ⚠️ ADVERTENCIA

No lo use a la intemperie.

6. Para desconectarlo, ponga los controles en OFF, y apague la alimentación del circuito del calentador en el panel de desconexión principal.

## 7. ⚠️ ADVERTENCIA ⚠️

Riesgo de electrocución. No introduzca ni permita que ingresen objetos en las aberturas de la ventilación o escape, ya que ello puede causar electrocución o incendio, o bien dañar el calentador.

## 8. ⚠️ ADVERTENCIA

Riesgo de incendio. Para evitar posibles incendios, no bloquee las tomas de aire ni el escape de manera alguna.

## 9. ⚠️ ADVERTENCIA

Podrían producirse explosiones o incendios. Todo calentador contiene piezas que se calientan y pueden producir arcos voltaicos o chispas. No lo use en áreas donde se utilice o almacene gasolina, pintura o vapores o líquidos inflamables.

10. Use este calentador sólo como se describe en este manual. Todo otro uso no recomendado por el fabricante puede causar incendios, descargas eléctricas o lesiones personales.

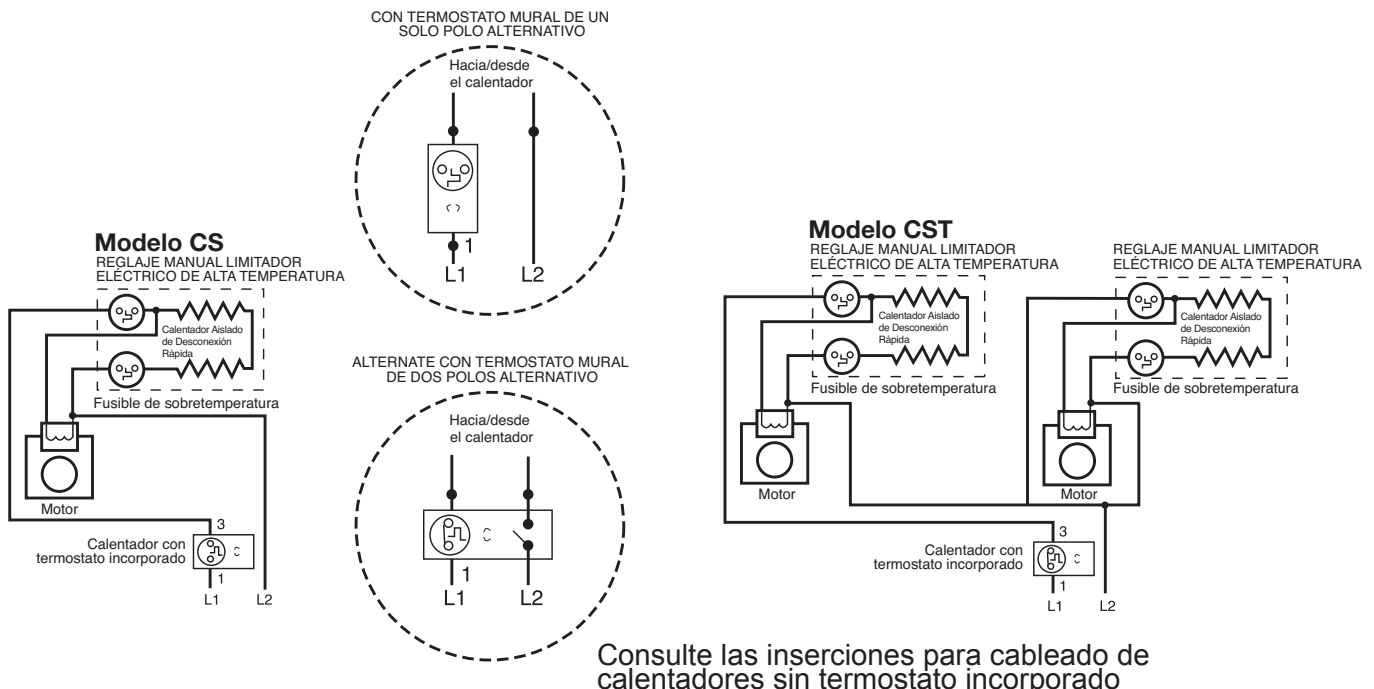
11. El calentador debe instalarse correctamente antes de usarlo.

## 12. ⚠️ ADVERTENCIA ⚠️

Riesgo de electrocución e incendio. No lo opere sin la rejilla.

13. Conserve estas instrucciones.

## Diagramas de cableado



Consulte las inserciones para cableado de calentadores sin termostato incorporado

# CONSERVE ESTAS INSTRUCCIONES



# INSTRUCCIONES PARA LA INSTALACIÓN

## 1. ⚠️ ADVERTENCIA

Verifique que todos los cables de suministro eléctrico sean del mismo voltaje que el calentador.

2. Si va a reemplazar un calentador existente, revise la etiqueta del calentador antiguo.

3. Todo trabajo y materiales eléctricos deben cumplir con el Código Eléctrico Nacional (“NEC”, por su sigla en inglés), con la Ley de Seguridad y Salud Ocupacional (“OSHA”, por su sigla en inglés) y con todos los códigos estatales y locales.

4. Si se debe instalar un nuevo circuito o se necesita información adicional sobre el cableado, consulte a un electricista calificado.

5. Use conductores de cobre solamente.

## 6. ⚠️ ADVERTENCIA ⚠️

Riesgo de electrocución. NO instale el calentador directamente sobre la tina o lavamanos. NO lo instale en la zona de la ducha (el fabricante recomienda un espacio mínimo de 2 pies).

7. El calentador debe instalarse en una cámara de pared:

Modelo CS Cámara de Pared CC  
Modelo CST Cámara de Pared WC1

## 8. ⚠️ ADVERTENCIA

Riesgo de incendio. NO instale el calentador en el piso, en el cielo raso, bajo la barra de la toalla, detrás de una puerta ni en ningún otro lugar en el que la descarga de aire se pueda bloquear de alguna manera.

## 9. ⚠️ ADVERTENCIA

Podrían producirse explosiones o incendios. Todo calentador contiene piezas que se calientan y pueden producir arcos voltaicos o chispas. No lo use en áreas donde se utilice o almacene gasolina, pintura o vapores o líquidos inflamables.

## 10. ⚠️ ADVERTENCIA ⚠️

Riesgo de electrocución. Conecte el conductor a tierra al tornillo de puesta a tierra suministrado. Evite que entren objetos extraños al calentador.

## 11. ⚠️ ADVERTENCIA

Riesgo de incendio. Este calentador se calienta mucho cuando está en uso. Precaución – Alta temperatura. Riesgo de incendio. Mantenga los cables eléctricos, cortinas, muebles, y demás materiales combustibles a por lo menos 3 pies por delante y a 6 pulgadas por encima y por ambos costados del calentador.

## Parte Uno

**UBICACIÓN:** Instale la unidad Com-Pak modelo CS, verticalmente (recomendado), horizontalmente o en el cielo raso. Consulte las instrucciones de la página 10 para el montaje en cielo raso. La unidad Com-Pak Twin (modelo CST) se debe instalar con las flechas en la cámara de pared apuntando hacia arriba. **TERMOSTATO:** Se requiere un termostato mural para los modelos que no lo traigan incorporado. Se recomienda usar un termostato electrónico Cadet para una comodidad y un control óptimos.

### ¿Cómo se instala el calentador en paredes de construcciones nuevas?

#### PASO 1 Montaje de la cámara de pared

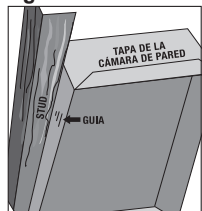
La distancia MÍNIMA REQUERIDA es de 6 pulgadas desde las superficies adyacentes y 4-1/2 pulgadas desde el piso (consulte las figuras 4 y 5). Sin embargo, Cadet RECOMIENDA 12 pulgadas desde las superficies adyacentes y el piso para lograr un rendimiento más prolongado y limpio. Si se instalan varios calentadores, deje al menos tres pies entre ellos.

Revise la etiqueta de la cámara de pared para determinar la dirección correcta (tal como lo indican las flechas ascendentes “UP”) antes de montar la cámara en el puntal. En la posición de montaje VERTICAL el elemento del conjunto del calentador queda en la parte SUPERIOR. En la posición de montaje HORIZONTAL queda a la IZQUIERDA.

**Modelo CS:** Manteniendo la parte delantera de la cámara a ras con la superficie mural acabada (consulte la figura 1), fije la cámara de pared al puntal con 2 tornillos (no se incluyen) mediante los orificios que vienen en la cámara. Se puede añadir la cuña de caucho suministrada al costado de la cámara para cuadrarla con el puntal (consulte la figura 2).

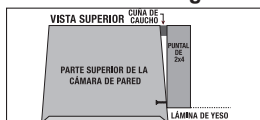
**Modelo CST:** Manteniendo la parte delantera de la cámara a ras con la superficie mural acabada (consulte la figura 1), fije la cámara de pared a los puntales con 4 tornillos (no se incluyen) mediante los orificios que vienen en la cámara.

Figura 1



La cara de la cámara de pared debe sobresalir entre 1/2 y 5/8 de pulgada de la cara del puntal a fin de dejar espacio para la lámina de yeso.

Figura 2



Conecte la cámara de pared al puntal mediante los tornillos. (Aparece el modelo CS)

#### PASO 2 Instalación de los cables de suministro

Dirija el cable de suministro desde el cortacircuito al termostato y a la cámara de pared. Para los modelos con termostato incorporado, dirija el alambre de suministro desde el cortacircuito hasta la cámara de pared. Quite uno de los destapaderos de la cámara y coloque el cable de suministro mediante un conector de alivio de tensión (no se incluye) dejando un mínimo de 6 pulgadas de cable de conexión para utilizarlo más adelante. Conecte el cable de suministro a tierra al tornillo de puesta a tierra situado en la cámara de pared (consulte la figura 3). Continúe con la PARTE DOS.

### ¿Cómo se instala el calentador en una pared existente?

#### PASO 1 Corte un orificio en la pared

La distancia MÍNIMA REQUERIDA es de 6 pulgadas desde las superficies adyacentes y 4-1/2 pulgadas desde el piso (consulte las figuras 4 y 5). Sin embargo, Cadet RECOMIENDA 12 pulgadas desde las superficies adyacentes y el piso para lograr un rendimiento más prolongado y limpio. Si se instalan varios calentadores, deje al menos tres pies entre ellos.

**Modelo CS:** Corte un orificio de 8 pulgadas de ancho por 10 1/4 de alto al lado del puntal de la pared.

**Modelo CST:** Corte un orificio de 14 5/8 pulgadas de ancho por 10 de alto al lado del puntal de la pared.

#### PASO 2 Instalación de los cables de suministro

Dirija el cable de suministro desde el cortacircuito al termostato y a la cámara de pared. Para los modelos con termostato incorporado, dirija el alambre de suministro desde el cortacircuito hasta la cámara de pared. Quite uno de los destapaderos de la cámara y coloque el cable de suministro mediante un conector de alivio de tensión (no se incluye) dejando un mínimo de 6 pulgadas de cable de conexión para utilizarlo más adelante. Conecte el cable de suministro a tierra al tornillo de puesta a tierra situado en la cámara de pared (consulte la figura 3).

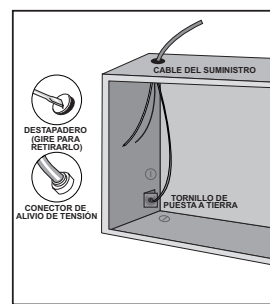


Figura 3

#### PASO 3 Montaje de la cámara de pared

Revise la etiqueta de la cámara de pared para determinar la dirección correcta (tal como lo indican las flechas ascendentes “UP”) antes de montar la cámara en el puntal. En la posición de montaje VERTICAL el elemento del conjunto del calentador queda en la parte SUPERIOR. En la posición de montaje HORIZONTAL queda a la IZQUIERDA. Coloque la cámara de pared en la abertura.

**Modelo CS:** Manteniendo la parte delantera de la cámara a ras con la superficie mural acabada, fije la cámara de pared al puntal con 2 tornillos (no se incluyen) mediante los orificios que vienen en la cámara. Se puede añadir la cuña de caucho suministrada al costado de la cámara para cuadrarla con el puntal (consulte la figura 2).

**Modelo CST:** Manteniendo la parte delantera de la cámara a ras con la superficie mural acabada (consulte la figura 1), fije la cámara de pared a los puntales con 4 tornillos (no se incluyen) mediante los orificios que vienen en la cámara. Continúe con la PARTE DOS.

# INSTRUCCIONES PARA LA INSTALACIÓN (continuación)

## Parte Uno

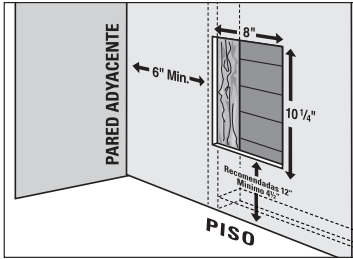


Figura 4  
Modelo CS

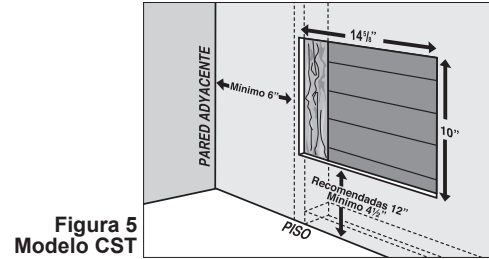


Figura 5  
Modelo CST

### ¿Cómo se instala el calentador con montaje en cielo raso?

#### PASO 1 Montaje de la cámara de pared

Importante:

1. Para modelos de hasta 1,500 vatios MÁXIMO
2. No monte el calentador en cielos rasos falsos ni de fibra de baja densidad.
3. No se recomienda usar modelos con termostato incorporado.

La distancia MÍNIMA REQUERIDA es de 6 pulgadas desde las superficies adyacentes (consulte la figura 6). Sin embargo, Cadet RECOMIENDA 12 pulgadas desde las superficies adyacentes para lograr un rendimiento más prolongado y limpio.

Asegure la cámara de pared a puntales/vigas en lados contrarios (consulte las figuras 6 y 7) con 4 tornillos (no suministrados). La cara de la cámara de pared debe sobresalir entre 1/2 y 5/8 de pulgada de la cara de las vigas a fin de dejar espacio para la lámina de yeso.

#### PASO 2 Instalación de los cables de suministro

Importante: Las conexiones de suministro deben usar cables aptos para al menos 167°F (75°C).

Dirija el cable de suministro desde el cortacircuito al termostato y a la cámara de pared. Quite uno de los destapaderos de la cámara y coloque el cable de suministro mediante un conector de alivio de tensión (no se incluye) dejando un mínimo de 6 pulgadas de cable de conexión para utilizarlo más adelante. Conecte el cable de suministro a tierra al tornillo de puesta a tierra situado en la cámara de pared (consulte la figura 3).

Continúe con la PARTE DOS.

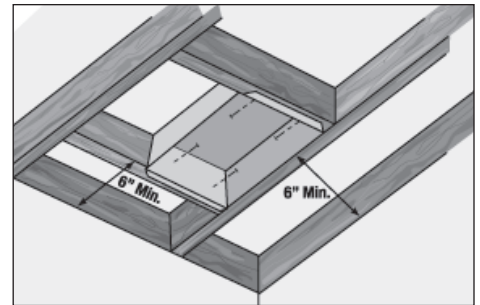


Figura 6  
(Modelo CS shown)

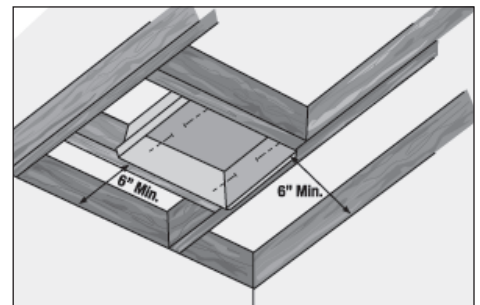


Figura 7  
(Modelo CS shown)

## Parte Dos

Una vez que ha seguido todas las instrucciones en la PARTE UNO, ya está preparado para instalar el conjunto del calentador.

### ¿Cómo se coloca la unidad del calentador en la cámara de pared?

#### PASO 1 Instale la unidad del calentador

Gire la cara del calentador de modo que dé hacia el piso, el elemento debe estar orientado hacia abajo y el motor hacia usted. Empalme los alambres de suministro con los del calentador mediante conectores de alambre (no se incluyen) (consulte la figura 8). Gire el calentador hacia arriba de modo que el elemento y el ventilador queden delante suyo con el ventilador debajo del elemento. Inserte el borde inferior de la unidad del calentador en las orejetas del reborde inferior en la cámara de pared (consulte la figura 9).

**Importante:** Presione los cables hasta el fondo de la cámara de pared durante la inserción. Cerciórese de que los cables de suministro no queden atrapados entre el motor y la cámara de pared. Conecte el conjunto del calentador en la parte superior con el tornillo que se proporciona.

#### PASO 2 Instale la rejilla

Fije la rejilla con los tornillos suministrados. Si tiene un modelo con termostato incorporado, deslice la perilla del termostato hacia el eje. Conecte la alimentación en el tablero del panel eléctrico.

La garantía pierde su validez si se rocía algún producto en el elemento o en el soplador. Cubra con cinta para pintura todas las áreas expuestas del calentador si las paredes se pintarán o se les dará textura.

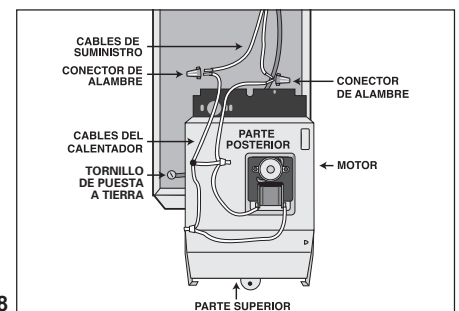


Figura 8

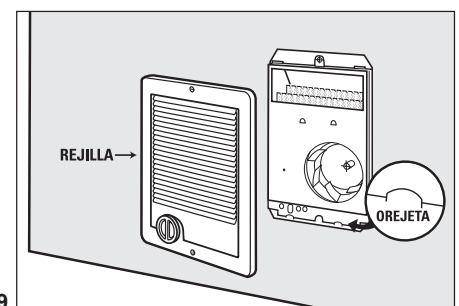


Figura 9

# OPERACIÓN DEL CALENTADOR

**⚠ ADVERTENCIA** Riesgo de electrocución e incendio.

El calentador debe instalarse correctamente antes de usarlo.

1. No lo opere sin la rejilla.
2. Mantenga los cables eléctricos, cortinas, muebles, y demás materiales combustibles a por lo menos 3 pies por delante y a 6 pulgadas de los costados del calentador.
3. No manipule el control limitador de sobretemperatura.
4. Si los limitadores de sobretemperatura se disyuntan más de una vez al día, se debe reemplazar el calentador.

## Cómo hacer funcionar el calentador

La temperatura ambiente es controlada por un termostato de voltaje de línea situado ya sea en la pared o en la parte inferior izquierda del calentador (consulte la página 1; Termostato incorporado).

1. Una vez que se haya realizado la instalación y reestablecido la energía eléctrica, gire totalmente la perilla del termostato en el sentido de las manecillas del reloj.
2. Cuando la habitación haya alcanzado un nivel cómodo, gire la perilla del termostato en sentido contrario a las manecillas del reloj hasta que el calentador se apague. El calentador se encenderá y apagará automáticamente según esta temperatura preestablecida.
3. Para reducir la temperatura del ambiente, gire la perilla en sentido contrario a las manecillas del reloj. Gírela en sentido de las manecillas del reloj para aumentarla.

5. Limpie el calentador por lo menos cada seis meses.

6. Después de dejar que el calentador se enfríe, desconecte la electricidad en el panel de cortacircuitos antes de retirar la rejilla.

7. Use una secadora o aspiradora en el ciclo de soplado para quitar la suciedad en el elemento superior (sin tocarlo).

8. Instale la rejilla antes de conectar la energía.

**⚠ ADVERTENCIA:** Toda otra labor no detallada en esta Guía para el propietario la debe efectuar un representante de servicio autorizado.

## Acerca de los controles limitadores de la temperatura del calentador

El calentador está protegido por dos controles limitadores de temperatura (para el modelo CST, se usan cuatro controles). Ambos controles son parte integral del conjunto del elemento. El primero es un control limitador de reglaje eléctrico manual, diseñado para abrir el circuito del calentador cuando se detectan temperaturas de funcionamiento excesivas. El problema debe evaluarse y el límite debe reestablecerse para que el calentador vuelva a funcionar.

Se brinda protección adicional mediante un fusible secundario de sobretemperatura, el cual abrirá el circuito del calentador en condiciones graves de sobretemperatura, o bien en caso de falla de algún componente. Si ello ocurre, el calentador se debe reparar o reemplazar.

## Cómo restablecer el control de límite de reglaje eléctrico manual

Si el control limitador de reglaje eléctrico manual ha abierto el circuito del calentador debido a temperaturas de funcionamiento excesivas, el calentador no funcionará sino hasta que se haya restablecido. Ello puede hacerse en el termostato o en el cortacircuito que controla el calentador.

### Para reestablecer el calentador en el termostato

1. Reduzca la temperatura en el termostato por debajo de la temperatura ambiente.
2. Deje que la unidad se enfríe durante al menos 20 minutos.
3. Resuelva el problema que causa la disyunción del limitador (generalmente el calentador está bloqueado o necesita limpieza, consulte las instrucciones de mantenimiento).
4. Aumente la temperatura en el termostato por sobre la temperatura ambiente. El calentador debiera encenderse. Si no vuelve a encenderse, restablezca el calentador en el cortacircuito, usando las instrucciones siguientes. Se requiere esperar un período adicional de 20 minutos cada vez que se apaga la alimentación. Restaurar la alimentación, incluso brevemente, calentará el interruptor de límite aunque el calentador no se encienda.
5. En este instante el calentador funciona correctamente y el termostato puede volver a fijarse en un nivel cómodo.

Tenga en cuenta que restablecer el control de reglaje eléctrico manual puede no ser suficiente para restaurar la operación del calentador en caso de que se haya producido una situación de sobretemperatura grave. Consulte la Guía de resolución de problemas en la próxima página para obtener más información al respecto.

### Para reestablecer el calentador en el cortacircuito (se recomienda si la temperatura ambiente es inferior a 45°)

1. Coloque el cortacircuito en la posición de apagado.
2. Deje que la unidad se enfríe durante al menos 20 minutos.
3. Resuelva el problema que causa la disyunción del limitador (generalmente el calentador está bloqueado o necesita limpieza, consulte las instrucciones de mantenimiento).
4. Reestablezca la alimentación colocando el cortacircuito en la posición de encendido.
5. Aumente la temperatura en el termostato por sobre la temperatura ambiente. El calentador debiera encenderse. Se requiere esperar un período adicional de 20 minutos cada vez que se apaga la alimentación. Restaurar la alimentación, incluso brevemente, calentará el interruptor de límite aunque el calentador no se encienda.
6. En este instante el calentador funciona correctamente y el termostato puede volver a fijarse en un nivel cómodo.

## Garantía

Para lograr una operación más eficaz y segura y prolongar la vida útil del calentador, lea la Guía del propietario y siga las instrucciones de mantenimiento. Si no le da el mantenimiento adecuado al calentador invalidará la garantía y puede hacer que el aparato funcione incorrectamente. Las garantías no son transferibles y rigen sólo para el comprador original. Los términos de la garantía se indican a continuación.

**GARANTÍA LIMITADA DE DOS AÑOS:** Cadet reparará o reemplazará todo calentador Com-Pak (CS) o Com-Pak Twin (CST) que se determine esté averiado en un plazo de dos años a partir de la fecha de compra.

### Estas garantías no son pertinentes para:

1. Daños que sufra el producto por instalación o voltaje de suministro incorrectos;
2. Daños que sufra el producto por mantenimiento incorrecto, uso indebido, abuso, accidente o alteraciones;
3. Servicio que se le haya dado al producto por parte de personas o entidades ajenas a Cadet.
4. Casos en que no se pueda determinar la fecha de fabricación del producto;
5. Casos en que el producto resulte dañado durante el embarque por causas ajenas a Cadet.
6. LA GARANTÍA DE CADET SE LIMITA A LA REPARACIÓN O REEMPLAZO, TAL COMO SE ESTABLECE EN ESTE DOCUMENTO. CADET NO SE HARÁ RESPONSABLE POR DAÑOS A LA PROPIEDAD O DAÑOS CONSECUENTES, COMO TAMPOCO POR GASTOS ACCIDENTALES DEBIDO AL INCUMPLIMIENTO DE ESTAS GARANTÍAS ESCRITAS O DE CUALQUIER GARANTÍA EXPRESA O IMPLÍCITA.

7. EN CASO DE QUE CADET DECIDA REEMPLAZAR ALGUNA PIEZA DEL PRODUCTO CADET, LOS REPUESTOS SE REGIRÁN POR LAS MISMAS GARANTÍAS DEL PRODUCTO. LA INSTALACIÓN O REEMPLAZO DE LOS REPUESTOS NO MODIFICA NI PROLONGA LAS GARANTÍAS VIGENTES. EL REEMPLAZO O REPARACIÓN DE TODO PRODUCTO O PIEZA CADET NO ORIGINA NINGÚN TIPO DE NUEVA GARANTÍA.

8. Estas garantías le otorgan derechos legales específicos y es posible que usted tenga otros derechos que varíen de un estado a otro. Cadet no asume ni autoriza a nadie que lo haga en su nombre, ninguna otra obligación o responsabilidad en relación con sus productos que no sean las que se establecen en este documento.

Si durante el período de garantía usted considera que su producto Cadet presenta defectos, comuníquese con Cadet Manufacturing Co. llamando al 360-693-2505 para obtener instrucciones sobre cómo tramitar la reparación o el reemplazo del producto. Los reclamos de garantía presentados después de la finalización del período no serán acogidos. Los productos que se devuelvan sin autorización serán rechazados.

### Repuestos y Servicio

En [cadetheat.com/parts-service](http://cadetheat.com/parts-service) encontrará información sobre dónde obtener repuestos y servicio.

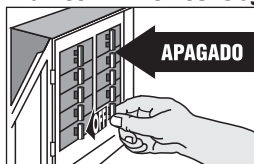


### Reduzca-Reuse-Recicle

Este producto está hecho principalmente de materiales reciclables. Puede reducir la cantidad de carbono que contribuye al medio ambiente reciclando este producto al término de su vida útil. Comuníquese con su centro local de reciclaje para obtener mayores instrucciones al respecto.

# MANTENIMIENTO DEL CALENTADOR

**Mantenimiento** Según sea necesario, o cada seis meses como mínimo.



**⚠ ¡ADVERTENCIA!** Desconecte la electricidad en el tablero del panel eléctrico (caja de cortacircuitos o fusibles) y trabe o coloque un cartel en la puerta del tablero del panel para evitar que alguien vuelva a conectar la energía mientras se esté trabajando en el calentador. De lo contrario podrían producirse graves golpes eléctricos, quemaduras e incluso la muerte.

**⚠ ADVERTENCIA:** Toda otra labor no detallada en esta Guía para el propietario la debe efectuar un representante de servicio autorizado.

1. Antes de proceder, es importante que usted verifique que se haya desconectado la alimentación y que el calentador no reciba energía. Los cortacircuitos no suelen estar correctamente marcados, y apagar el incorrecto podría significar que sigue fluyendo electricidad al calentador, aun cuando éste parezca no estar funcionando. Si no se siente cómodo al trabajar con artefactos eléctricos, no está en condiciones de acatar estas pautas o no cuenta con los equipos necesarios, solicite los servicios de un técnico electricista calificado.

2. Una vez que verifique que se ha apagado la alimentación correctamente, prosiga con el paso siguiente.

3. Retire la perilla del termostato (si la hubiera), los tornillos y extraiga la rejilla.

4. Lave la rejilla con agua caliente y jabón, y séquela de inmediato.

5. Mientras sujeta el ventilador (para evitar que se dañe o tuerza), utilice una secadora o una aspiradora en el ciclo de soplado para quitar la suciedad en el elemento superior (sin tocarlo).

6. Aspire el área del ventilador sin tocar los elementos.

7. No lubrique el motor.

8. Vuelva a instalar la rejilla y fijela con los tornillos. Vuelva a colocar la perilla del termostato.

9. Coloque el termostato en la graduación deseada.

10. Vuelva a conectar la alimentación en el tablero del panel eléctrico.

## Tabla de resolución de problemas

**\*CONSULTE LOS CÓDIGOS ELÉCTRICOS LOCALES PARA DETERMINAR QUÉ TRABAJOS DEBEN SER REALIZADOS POR PERSONAL DE SERVICIO ELÉCTRICO CALIFICADO.**

Síntoma	Problema	Solución
El interruptor se disyunta inmediatamente al encenderse el calentador.	<ol style="list-style-type: none"> <li>1. Voltaje de suministro incorrecto.*</li> <li>2. Circuito sobrecargado.*</li> <li>3. Hay un cortocircuito en los cables de suministro o del calentador.*</li> <li>4. Cortacircuito defectuoso.*</li> </ol>	<ol style="list-style-type: none"> <li>1. Compruebe que el voltaje de suministro coincida con la calificación del calentador.</li> <li>2. El amperaje total de todos los calentadores en un circuito de rama no debe sobrepasar el 80% de la calificación de amperaje del cortacircuito y de las calificaciones de los cables de suministro. Utilice un calentador de vatiaje inferior o reduzca la cantidad de calentadores en el circuito.</li> <li>3. Los cables de suministro o del calentador que presentan cortocircuitos pueden ocasionar chispas peligrosas. Revise el aislamiento de todos los cables de suministro y del calentador para comprobar que no estén dañados. No reestablezca el cortacircuito sino hasta que se hayan reparado todos los cortocircuitos eléctricos.</li> <li>4. Reemplace el cortacircuito.</li> </ol>
El ventilador del calentador funciona pero no envía aire caliente.	<ol style="list-style-type: none"> <li>1. Temperatura insuficiente del elemento.</li> <li>2. Voltaje de suministro incorrecto.*</li> <li>3. El elemento ha fallado.*</li> <li>4. (Modelo CST solamente) Se debe reestablecer uno de los controles de sobretemperatura de las unidades calentadoras.</li> </ol>	<ol style="list-style-type: none"> <li>1. Espere unos momentos para que el elemento alcance la temperatura de funcionamiento.</li> <li>2. Compruebe que el voltaje de suministro coincida con la calificación del calentador.</li> <li>3. Reemplace el elemento.</li> <li>4. Los modelos CST tienen dos unidades calentadoras con controles de sobretemperatura independientes. Uno de los controles eléctricos de alta temperatura manuales puede disyuntarse e interrumpir la alimentación a una de las unidades calentadoras mientras el otro permanece funcionando, reduciendo el rendimiento a la mitad. Restablezca la unidad calentadora (siga las instrucciones de la sección "Operación del Calentador" para restablecer el control limitador de reglaje eléctrico manual).</li> </ol>
El calentador no se apaga.	<ol style="list-style-type: none"> <li>1. La fuga de calor de la habitación es superior a la capacidad del calentador.*</li> <li>2. Termostato defectuoso.</li> <li>3. Termostato cableado al calentador de forma incorrecta.*</li> </ol>	<ol style="list-style-type: none"> <li>1. Cierre las puertas y ventanas. Coloque aislamiento adicional, o instale un calentador de mayor vatiaje o múltiples calentadores si fuera necesario. (Si su circuito tiene mayor capacidad).</li> <li>2. Ajuste el termostato a la graduación más baja. Si el calentador continúa funcionando (espere un par de minutos para que el termostato tenga tiempo de responder al ajuste) y la temperatura del ambiente es superior a 50 grados, reemplace el termostato.</li> <li>3. Consulte la documentación del termostato y cableado correcto.</li> </ol>
El calentador emite humo o un olor a quemado.	<ol style="list-style-type: none"> <li>1. Se han acumulado polvo, pelusas u otros materiales dentro del calentador.</li> <li>2. Conexiones eléctricas deficientes o sueltas.</li> </ol>	<ol style="list-style-type: none"> <li>1. Limpie el calentador (consulte las instrucciones en la sección "Mantenimiento del Calentador").</li> <li>2. Desconecte la energía en el cortacircuito. Inspeccione todas las conexiones de alambres del suministro y del calentador para cerciorarse de que no haya nada suelto ni mal conectado. Afiance o reconecte todas las conexiones sueltas. No restablezca el cortacircuito sino hasta haber revisado y reparado todas las conexiones.</li> </ol>
El elemento calienta por un momento sin que gire el ventilador y luego deja de calentar.	<ol style="list-style-type: none"> <li>1. Motor o conexión interna defectuosos.*</li> <li>2. Ventilador o motor trabado.</li> </ol>	<ol style="list-style-type: none"> <li>1. Debe reemplazarse el calentador o el motor del ventilador.</li> <li>2. Retire la obstrucción y siga las instrucciones en la sección "Operación del Calentador" para restablecer el control limitador de reglaje eléctrico manual. Pruebe el funcionamiento del calentador. Si no funciona, repárelo o reemplácelo.</li> </ol>
El calentador no funciona.	<ol style="list-style-type: none"> <li>1. El termostato se ha graduado muy bajo.</li> <li>2. El calentador ha disyuntado el control eléctrico de alta temperatura.</li> <li>3. El calentador ha disyuntado el fusible secundario de sobretemperatura.</li> <li>4. La energía no está conectada en el cortacircuito.</li> <li>5. El o los cables que van al calentador están rotos o mal conectados.</li> <li>6. Termostato defectuoso.</li> </ol>	<ol style="list-style-type: none"> <li>1. Ajuste el termostato a una temperatura más alta hasta que el calentador funcione (vea el Problema No. 6 si el problema persiste).</li> <li>2. Siga las instrucciones en la sección "Operación del Calentador" para restablecer el control limitador de reglaje eléctrico manual. Si la temperatura ambiente es inferior a 45°, consulte las instrucciones "Para reestablecer el calentador en el cortacircuito".</li> <li>3. Se ha producido una situación de sobretemperatura grave. Repare o reemplace el calentador.</li> <li>4. Conecte el cortacircuito correcto en el panel principal.</li> <li>5. Desconecte la energía en el cortacircuito. Revise la continuidad del cable de suministro y la conexión apropiada a los cables del calentador.</li> <li>6. Se debe revisar la continuidad de todo el calentador, o bien de sus componentes a fin de determinar la causa de los problemas. Repare o reemplace el calentador o termostato.</li> </ol>

## Free Manuals Download Website

<http://myh66.com>

<http://usermanuals.us>

<http://www.somanuals.com>

<http://www.4manuals.cc>

<http://www.manual-lib.com>

<http://www.404manual.com>

<http://www.luxmanual.com>

<http://aubethermostatmanual.com>

Golf course search by state

<http://golfingnear.com>

Email search by domain

<http://emailbydomain.com>

Auto manuals search

<http://auto.somanuals.com>

TV manuals search

<http://tv.somanuals.com>