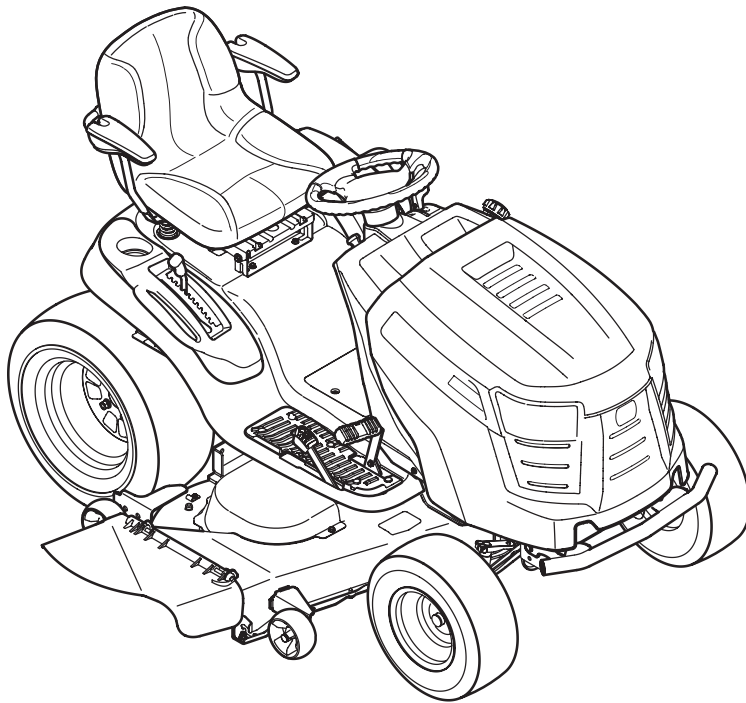

Cub Cadet[®]

ILLUSTRATED PARTS MANUAL



Hydrostatic Lawn Tractor — LGTX1050 & LGTX1054

CUB CADET LLC, P.O. BOX 361131 CLEVELAND, OHIO 44136-0019

To The Owner

Thank you for purchasing an Cub Cadet Lawn Tractor. It was carefully engineered to provide excellent performance when properly operated and maintained.

All information in this manual is relative to the most recent product information available at the time of printing. Please be aware that this Illustrated Part's Manual may cover a range of product specifications for various models.

Components listed and/or illustrated in this manual may not be applicable to all models. We reserve the right to change product specifications, designs and equipment without notice and without incurring obligation.

Throughout this manual, all references to *right* (RH) and *left* (LH) are observed from the operating position.

Table of Contents

Axle, Front	4	Fuel Tank	10
Battery	6	Hood	10
Head Lamps	10	Deck Lift Handle/Linkage	8
Mower Deck, 50-inch	14	Labels	24-25
Mower Deck, 54-inch	16	Meter, Systems Indicator	10
Pedal Controls	13	Muffler	21
Dash Panel	10	PTO	6
Drive System	12	Seat	8
Electrical Schematic	22-23	Solenoid	6
Engine Accessories	21	Steering	4
Engine, Kohler SV730	26-41	Switches, Interlock	6
Engine, Kohler SV740	42-57	Throttle Control	10
Fender	8	Transmission, Hydrostatic	18
Frame	6	Wheels, Front & Rear	3

Record Product Information

To ease in ordering replacement parts, please locate the model plate on the equipment and record the information in the provided area to the right. You can locate the model plate by looking beneath the seat.

MODEL NUMBER

--	--	--	--	--	--	--	--	--	--	--

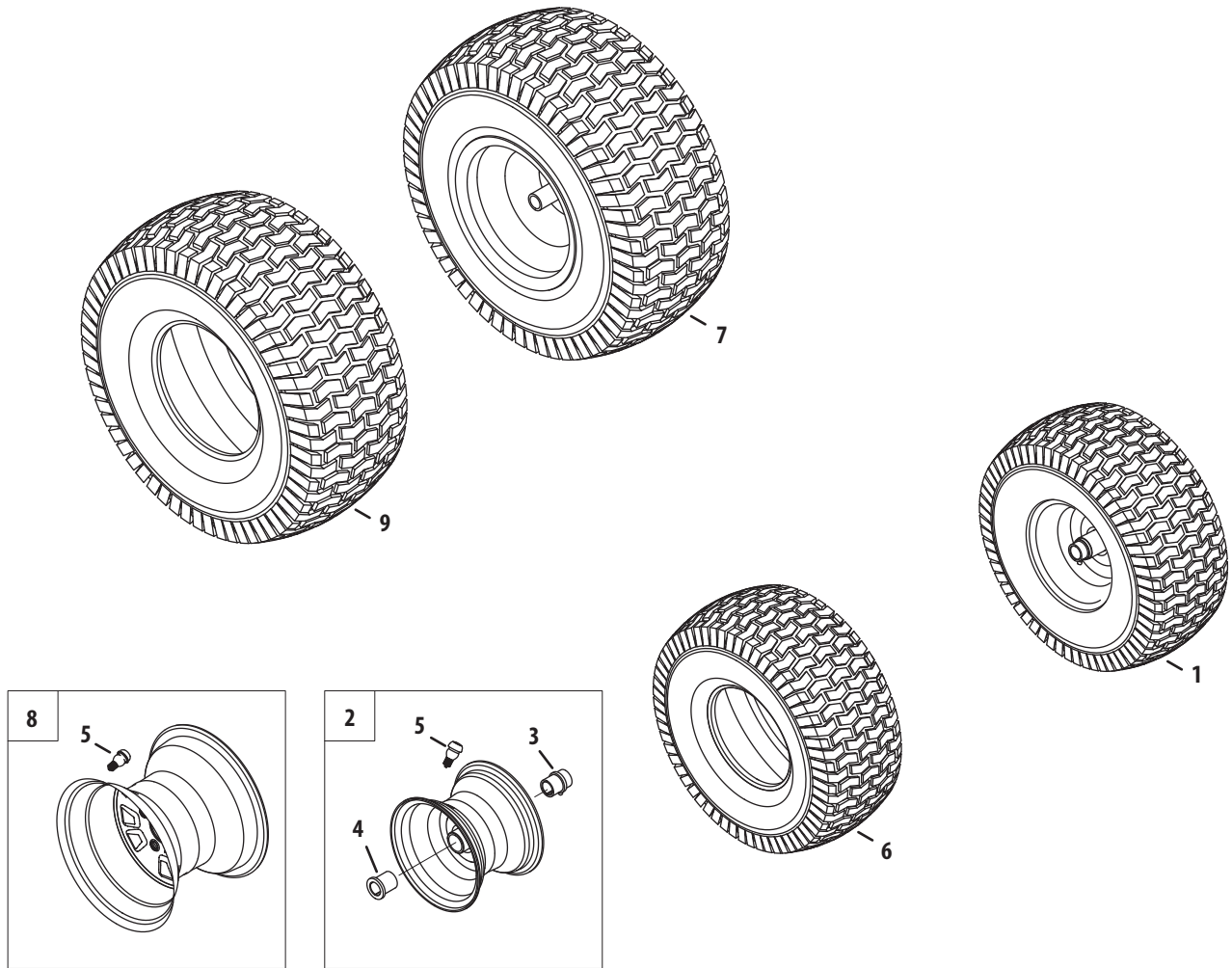
SERIAL NUMBER

--	--	--	--	--	--	--	--	--	--	--

Painted Parts

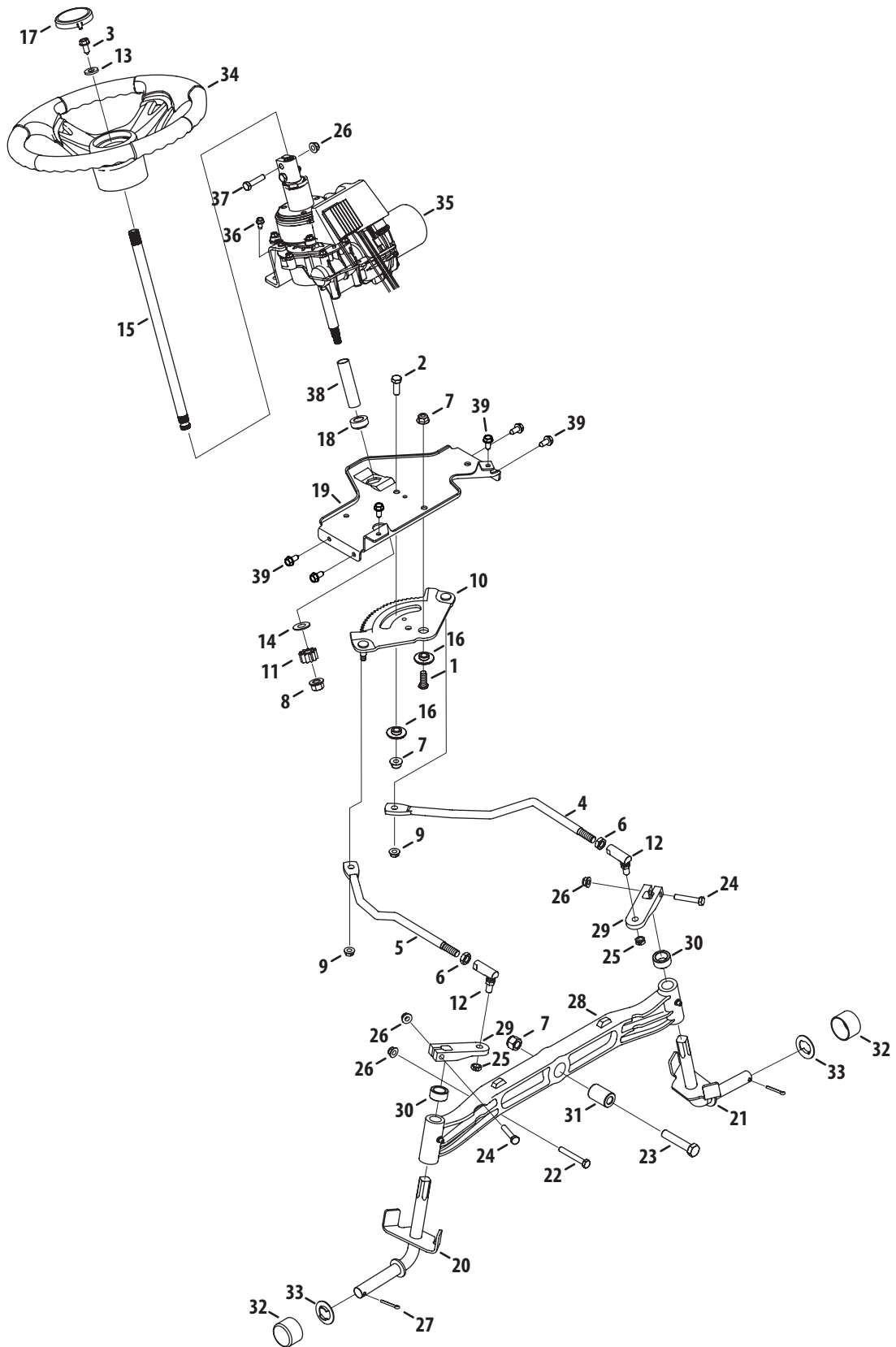
When ordering painted service parts, a four digit color suffix must be added to the part number (e.g. 783-XXXX-0637). Please refer to the table below for current color codes:

0637	Black	0685	Blue (Cub Cadet)
4021	Yellow (Cub Cadet)	0691	Black Jack (Cub Cadet Commercial)
0499	Beige (Cub Cadet)		



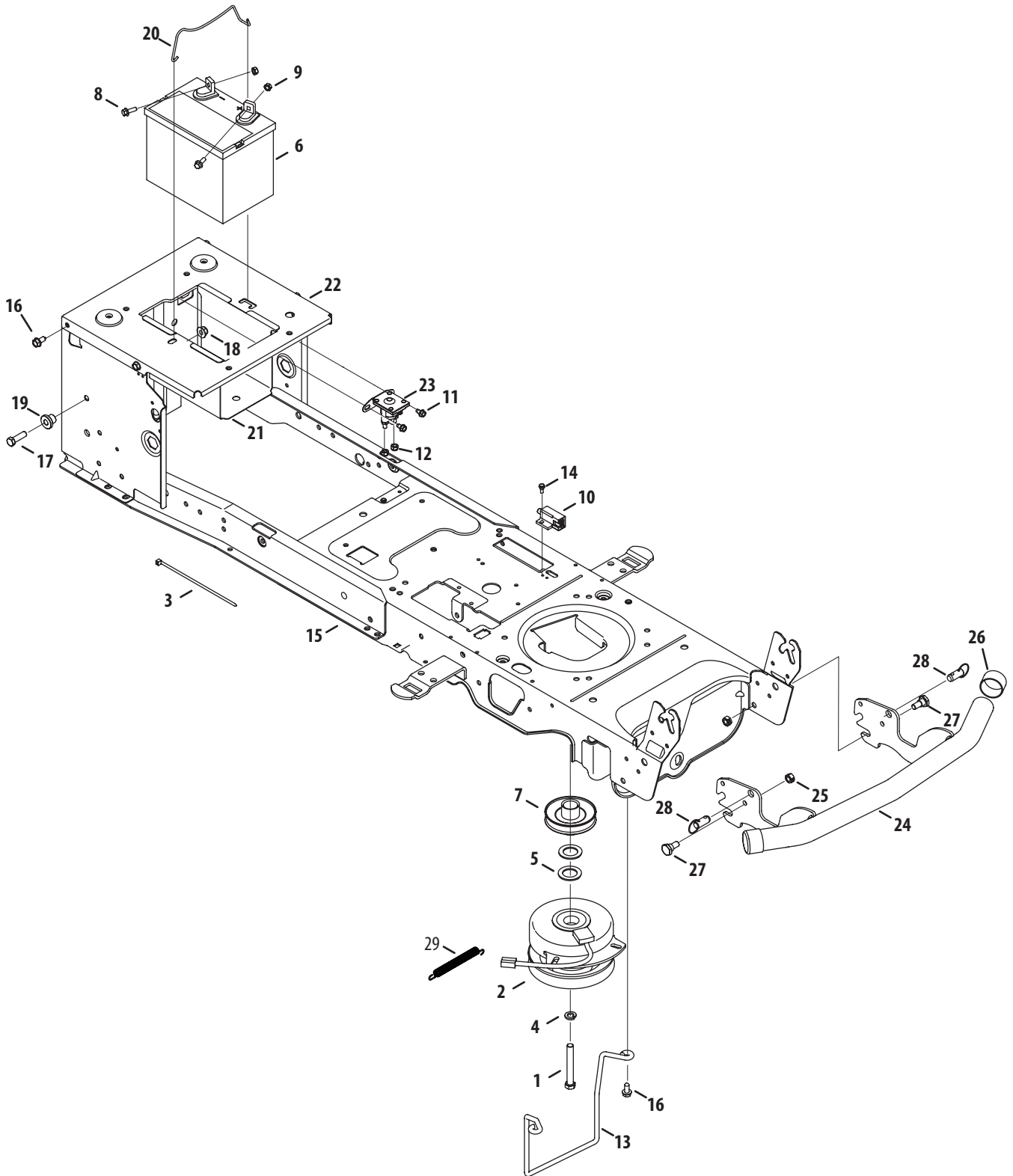
Ref.	Part Number	Description
1.	—	Wheel Ass'y, Complete, 16 x 6 x 5.8
2.	934-04082-0499	Rim Ass'y, 8.0 x 5.3, Plastic Bearings
3.	741-0990B	Bearing, Flange, .760 ID w/ Fitting
4.	741-0516B	Bearing, Flange, .760 x 1.00 x 1.20
5.	934-0255	Valve, Tubeless Air
6.	734-1727	Tire, 15 x 6.5 x 8 Sq Shoulder
7.	634-04210-0931	Wheel, Complete, 22 x 9.5 x 12
8.	634-04238-0499	Rim Ass'y, 12.0 x 7.0
9.	734-04174	Tire, 22 x 9.5 x 12 Sq Shoulder

Steering



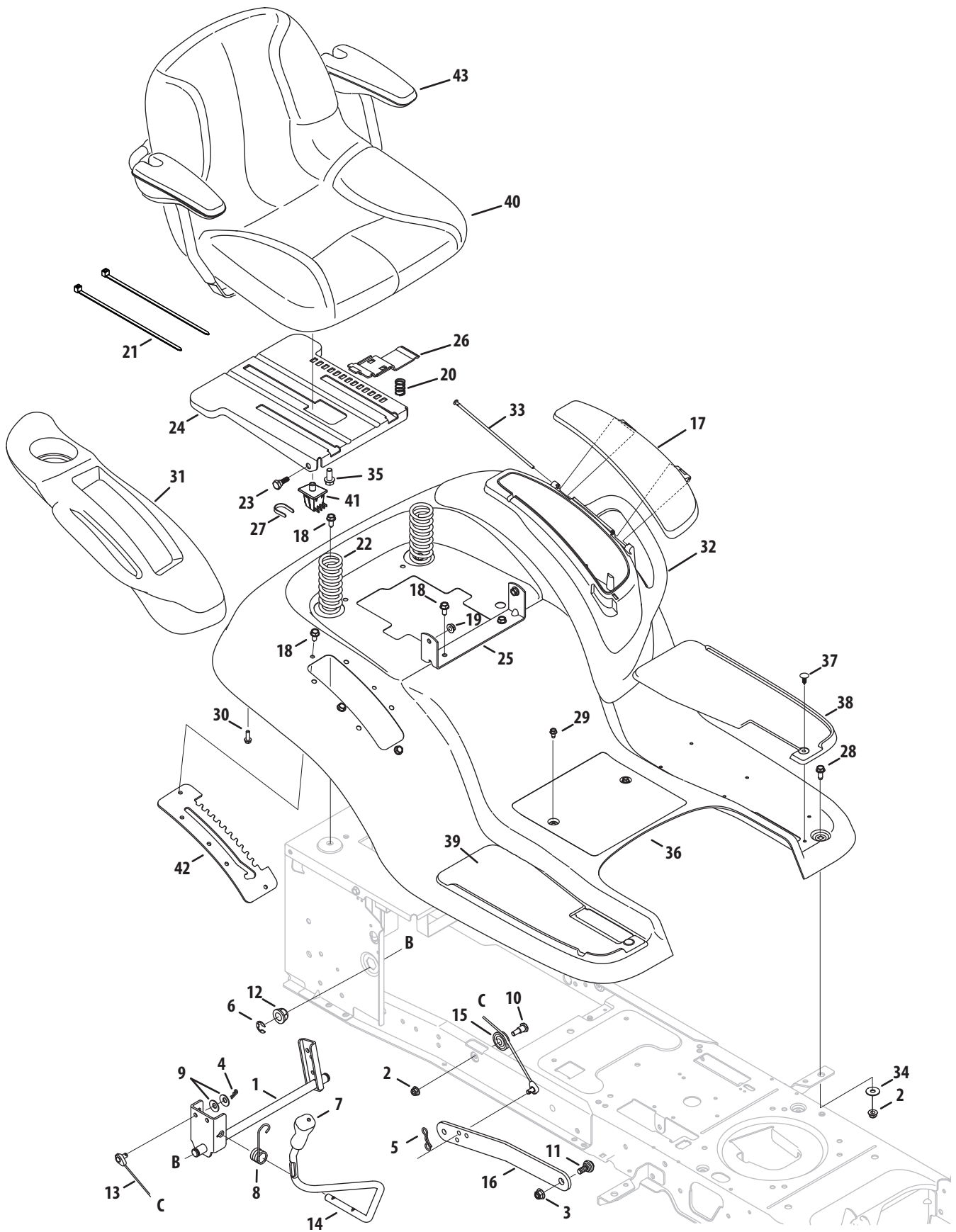
Ref.	Part Number	Description
1.	710-04095	Hex Screw, 3/8-16, 1.00, Gr5, Spec
2.	710-0514	Hex Screw, 3/8-16, 1.00, Gr5, Std
3.	710-0650	Hex Screw, 5/16-18, .875, Gr5, Lock
4.	711-04998	Link, Drag LH
5.	711-04999	Link, Drag RH
6.	912-0240	Nut, Jam, 7/16-20, Gr2
7.	712-04065	Nut, Flange Lock, 3/8-16, Grf,
8.	712-0459	Nut, Flange Lock, 7/16-20, Grb, Lock
9.	712-3004A	Nut, Flange Lock, 5/16-18, Gr5, Sd Lk
10.	717-1550F	Gear, Steering, 11/90 Ratio
11.	717-1554	Gear, Pinion, Steering
12.	923-0448A	Ball Joint, 7/16-20, Lock
13.	936-3004	Washer, Flat, .406 x .875 x .105
14.	736-3084	Washer, Flat, .51 x 1.12 x .06
15.	738-04421	Shaft, Steering, .625 OD x 14, Cub
16.	738-04363	Spacer, Shoulder, .385x 1.25 x .3025
17.	731-04039	Cover, Steering Wheel, Cub Cadet
18.	741-04237B	Bearing, Flange, Hex 5/8 Pm
19.	783-06043	Bracket, Support, Steering
20.	638-04029	Axle Ass'y, RH .750 Dia.
21.	638-04030	Axle Ass'y, LH .750 Dia.
22.	710-0395	Hex Screw, 5/16-18, 2.25, Gr5, Std
23.	710-0859	Hex Screw, 3/8-16, 2.50, Gr5, Std
24.	710-3180	Hex Screw, 5/16-18, 1.75, Gr5, Std
25.	912-0214	Nut, Hex Lock, 3/8-24, Grb
26.	712-04063	Nut, Flange Lock, 5/16-18, Grf
27.	714-0162	Pin, Cotter, 5/32, 1.25
28.	719-04413A	Axle, Pivot Bar, Cast
29.	748-04065	Steering, Block
30.	748-04068	Spacer, .71 ID x .125 OD x .56
31.	750-05280	Spacer, .385 x 1.00 x 1.5075
32.	731-08049	Cap, Bumper
33.	736-04228A	Washer, Flat, .350 x 1.559 x .062
34.	631-04556	Wheel, Steering, 3 Spoke, Softgrip
35.	918-05084	Transmission Assembly, EPS
36.	710-1652	Screw, Self-tapping, 1/4-20 x .625
37.	710-3083	Hex Screw, 5/16-18 x 1.375, Gr5, Std
38.	750-05402	Spacer, .625 x .750 x 3.11
39.	710-04484	Screw, Self-tapping, 5/16-18, .750

Frame, Electrical and PTO



Ref.	Part Number	Description
1.	710-04379A	Hex Screw, 7/16-20, 3.50, Gr5, Lock
2.	917-04174A	Clutch, Electric PTO, 50"
	917-1774C	Clutch, Electric PTO, 54"
3.	725-0157	Cable, Tie, 3/16 X .05 X 7.4
4.	936-0171	Washer, Lock, 7/16, Regular Duty
5.	736-0277	Washer, Flat, 1.031 X1.620 X.095
6.	925-1707D	Battery
7.	756-0978B	Engine Pulley, Electric PTO
8.	710-04666	Hex Flange Screw, 1/4-20, .75, Gr5
9.	712-0271	Nut, Sems, 1/4-20
10.	725-04363	Switch, Interlock
11.	710-0653	Screw, Self-tapping, 1/4-20, 0.375
12.	712-04064	Nut, Flange Lock, 1/4-20, Nylon
13.	747-05195	Rod, Keeper
14.	738-04237A	Screw, Shoulder, #10-32, .50
15.	683-04469B	Frame Assembly, Lower
16.	710-04484	Screw, Self-tapping, 5/16-18, .750
17.	710-05097	Hex Screw, 3/8-16, 1.5, Gr2
18.	712-04065	Nut, Flange Lock, 3/8-16, Nylon
19.	738-04058	Spacer, Shoulder, .38 X 1.0 X .70
20.	747-04121A	Rod, Battery
21.	783-0349	Tray, Battery
22.	783-06089	Bracket, Frame, Seat
23.	725-04439	Solenoid, 12V, 100 Amp, 4 term
24.	683-04219B	Bumper Assembly, Universal
25.	912-3000	Nut, Hex Lock, 3/8-16, GrB
26.	731-05674	Cap, Bumper
27.	738-0143	Bolt, Shoulder, .496 x .336, 3/8-16
28.	714-04061	Pin, Quick Release, 1/2 Dia x .50
29.	732-0814	Spr, Extn, .56 Dia X 5.52
—	925-05285	Harness Assembly, Main, Koh 25
—	725-05414	Harness Assembly, Main, Koh 27

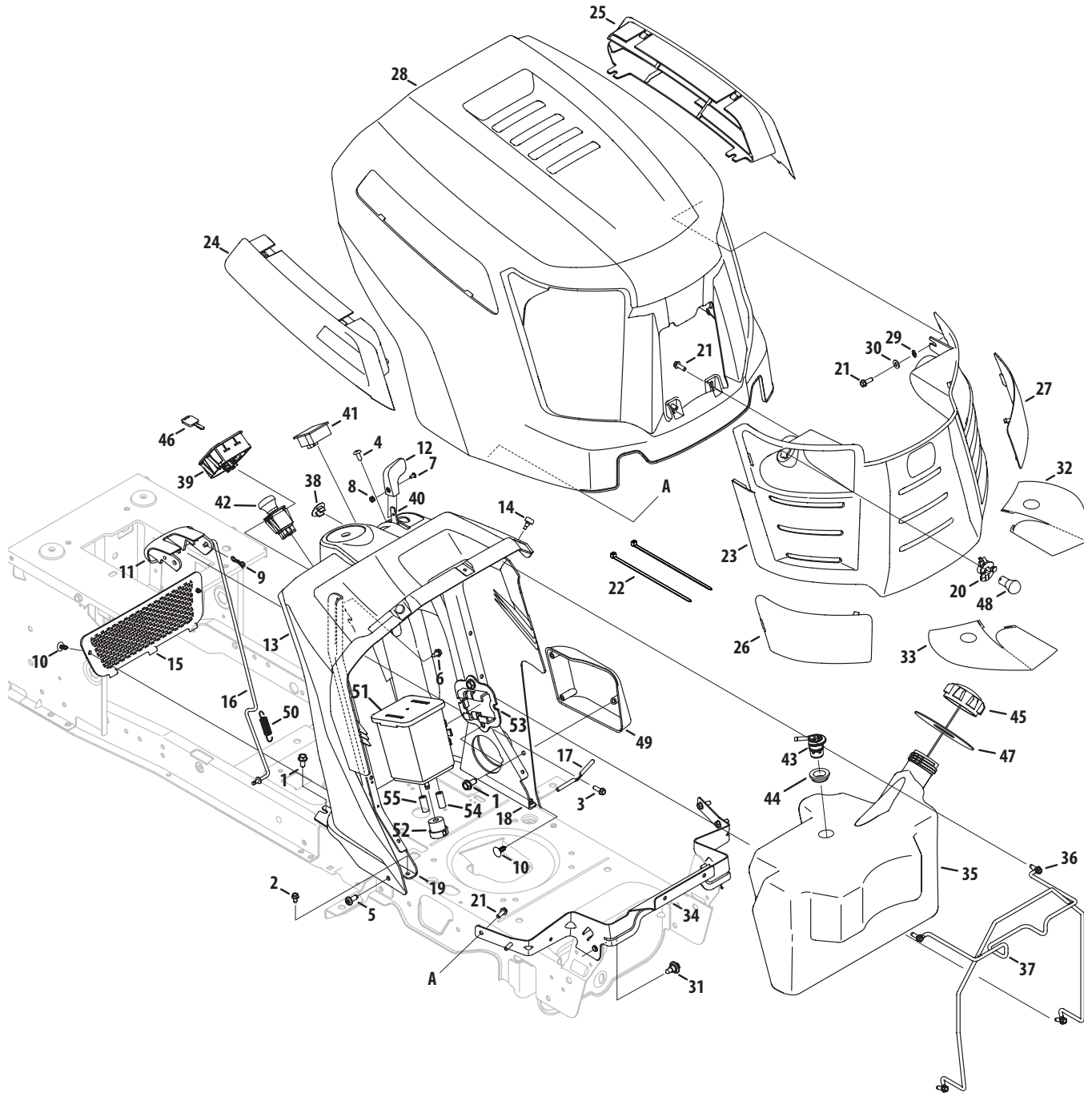
Seat, Fender and Lift



Seat, Fender and Lift

Ref.	Part Number	Description	Ref.	Part Number	Description
1.	683-04223	Shaft Ass'y, Lift, 50"	22.	732-04849	Spring, Compr, 1.50 x 3.90 x .200
	683-04301	Shaft Ass'y, Lift, 54"	23.	938-0296	Screw, Shoulder, .437 x .268, 5/16-18
2.	712-04063	Nut, Flange Lock, 5/16-18, Grf	24.	783-06049	Bracket, Mounting, Seat
3.	712-04065	Nut, Flange Lock, 3/8-16, Grf	25.	783-06088	Bracket, Pivot, Seat
4.	914-0104	Pin, Cotter, .072 Dia. x 1.13	26.	783-06050	Lever, Seat Adjustment
5.	714-04040	Pin, Cotter, Bow-Tie 72	27.	783-06448	Clip, Retaining, Switch
6.	716-0106A	Ring, E Type, .625 Dia. Shaft	28.	710-1260A	Hex Screw, 5/16-18, .75, Gr5, Std
7.	720-04139B	Grip, Handle, Cub, .50 ID	29.	710-0599	Screw, Self-tapping, 1/4-20, 0.500,
8.	732-0874	Spring, Torsion	30.	710-0895	Screw, HL, 1/4-15, 0.750,
9.	736-0105	Washer, Spring, .401 x .870 x .063	31.	731-06700	Cover, Fender, RH
10.	738-0138A	Screw, Shoulder, .437 x .470, 5/16-18	32.	731-06676	Cover, Fender, LH
11.	938-0380	Bolt, Shoulder, .50, 3/8-16	33.	747-05039	Pin, Door
12.	941-0225	Bearing, Hex Flange	34.	736-3078	Washer, Flat .344 x 1.00 x .063
13.	946-04436	Cable, Lift, 16.64	35.	710-04482	Hex Flange Screw, 3/8/16, .875, Gr5
14.	747-04962A	Handle, Lift,	36.	783-06118	Fender, Cub Hydro
15.	756-04331	Pulley, Roller, Cable	37.	726-3046	Clip, Ratchet, .250 Dia
16.	783-05546A	Link, Lift	38.	735-04137	Pad, Foot, LH
17.	731-06584	Door, Cover, Fender	39.	735-04139	Pad, Foot, RH
18.	710-04484	Screw, Self-tapping, 5/16-18, .750,	40.	757-04132	Seat, High Back Cloth w/o Arm Rest
19.	712-3004A	Nut, Flange Lock, 5/16-18, Gr5, Sd Lk	41.	925-05013	Switch, Seat
20.	732-04563	Spring, Compr', .68 x 1.065 x .055	42.	783-06181	Bracket, Lift
21.	725-0157	Cable, Tie, 3/16 x .05 x 7.4	43.	757-04073	Arm Rest Kit

Fuel Tank, Hood and Dash

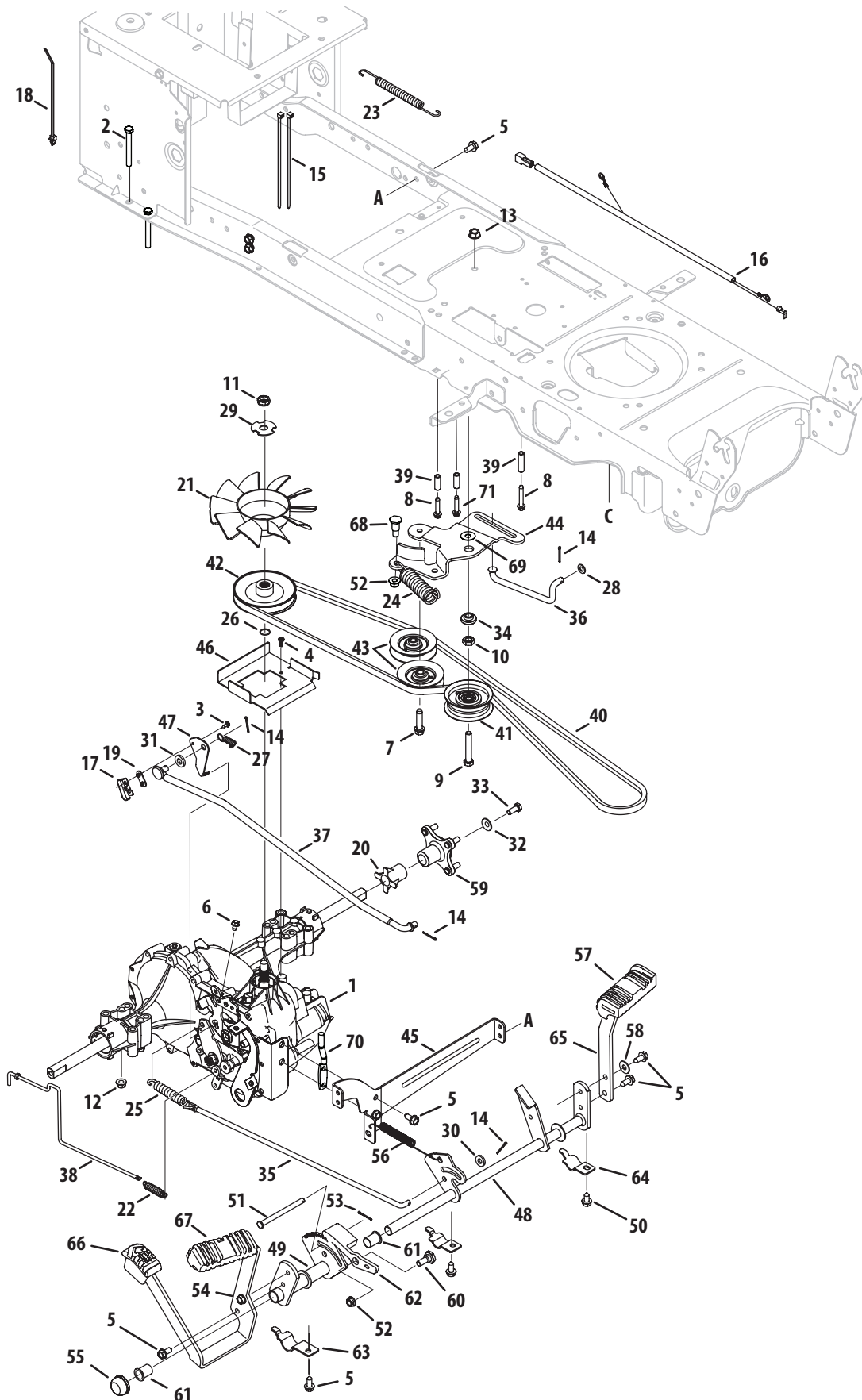


Fuel Tank, Hood and Dash

Ref.	Part Number	Description
1.	710-04484	Screw, Self-tapping, 5/16-18, .750
2.	710-0599	Screw, Self-tapping, 1/4-20, 0.500
3.	710-0895	Screw, HL, 1/4-15, 0.750
4.	710-1017	Screw, Ab, 1/4-14, 0.625,
5.	710-1611B	Screw, Self-tapping, 5/16-18, 0.750,
6.	710-1652	Screw, Self-tapping, 1/4-20 x .625
7.	710-3217	Screw, Mach, #8-32, 0.375
8.	712-0142	Nut, Hex, #8-32
9.	714-04040	Pin, Cotter, Bow-Tie 72
10.	726-3046	Clip, Ratchet, .250 Dia
11.	731-05447A	Lever, Dash, Cruise/Brake
12.	731-06593	Knob, Throttle
13.	931-07911	Dash Panel, A-Style
14.	735-0271A	Bumper, .62 Dia X .3
15.	735-04076	Net
16.	747-05009B	Rod, Control, Latch Cub
17.	747-1196	Rod, Lever, Bent
18.	783-06792	Support, Dash, Plate LH
19.	783-06793	Support, Dash, Plate RH
20.	925-1649	Socket, Lamp
21.	710-05108	Screw, 1/4 Dia, .750
22.	926-0154	Tie, Cable, Push Mount 7.5 Lg
23.	931-04322	Grille Ass'y (Incl. 26, 27, 32 & 33)
24.	931-06542A	Scoop, Hood, RH A-Style
25.	931-06543A	Scoop, Hood, LH A-Style
26.	931-06558	Lens, Hood, RH A-Style
27.	931-06559	Lens, Hood, LH A-Style
28.	931-06634	Hood, A-Style
29.	936-0222	Washer, Lock, 1/4, External

Ref.	Part Number	Description
30.	936-3020	Washer, Flat, .271, .630, .065
31.	738-04091A	Screw, Shoulder, .43x.29, 5/16-18
32.	777X44055	Reflector, Cub A Style, LH
33.	777X44056	Reflector, Cub A Style, RH
34.	783-06114	Bracket, Pivot, Hood A-Style
35.	951-04311	Tank, Fuel, 3.30 Gal.
36.	710-0642	Screw, Self-tapping, 1/4-20, .75
37.	747-05040A	Rod, Support, Fuel Tank
38.	731-1999	Plug, Choke
39.	925-04227B	Module Switch, Ignition
40.	946-04556	Cable, Throttle/Choke, 38"
41.	925-04022B	Meter, Indicator
42.	725-04258	Switch, Electric PTO, Yellow
43.	751-12118	Valve, Rollover Grommet
44.	735-04081	Grommet, Rubber, 23.0 ID
45.	951-12179A	Cap, Fuel
	951-12426	Cap, Fuel Carb
46.	925-2054A	Key, Ignition
47.	735-04170	Gasket, Fuel Tank
48.	925-0963	Lamp, 12v
49.	731-07759	Cover, Power Steering Motor
50.	732-04580	Spring, .500 Dia. x 2.733
51.	951-10589	Cnstr, Carbon, 5 Gallon (CA)
52.	951-10590	Filter, Vent, Canister (CA)
53.	951-10610	Bracket, Adapter, Canister (CA)
54.	751-10749-14	Hose, Fuel, Low Perm, 3/16 Wht (CA)
55.	751-10750-28	Hose, Fuel, Low Perm, 7/32 Yel (CA)
—	725-05113	Switch, Plunger, Snap Fit

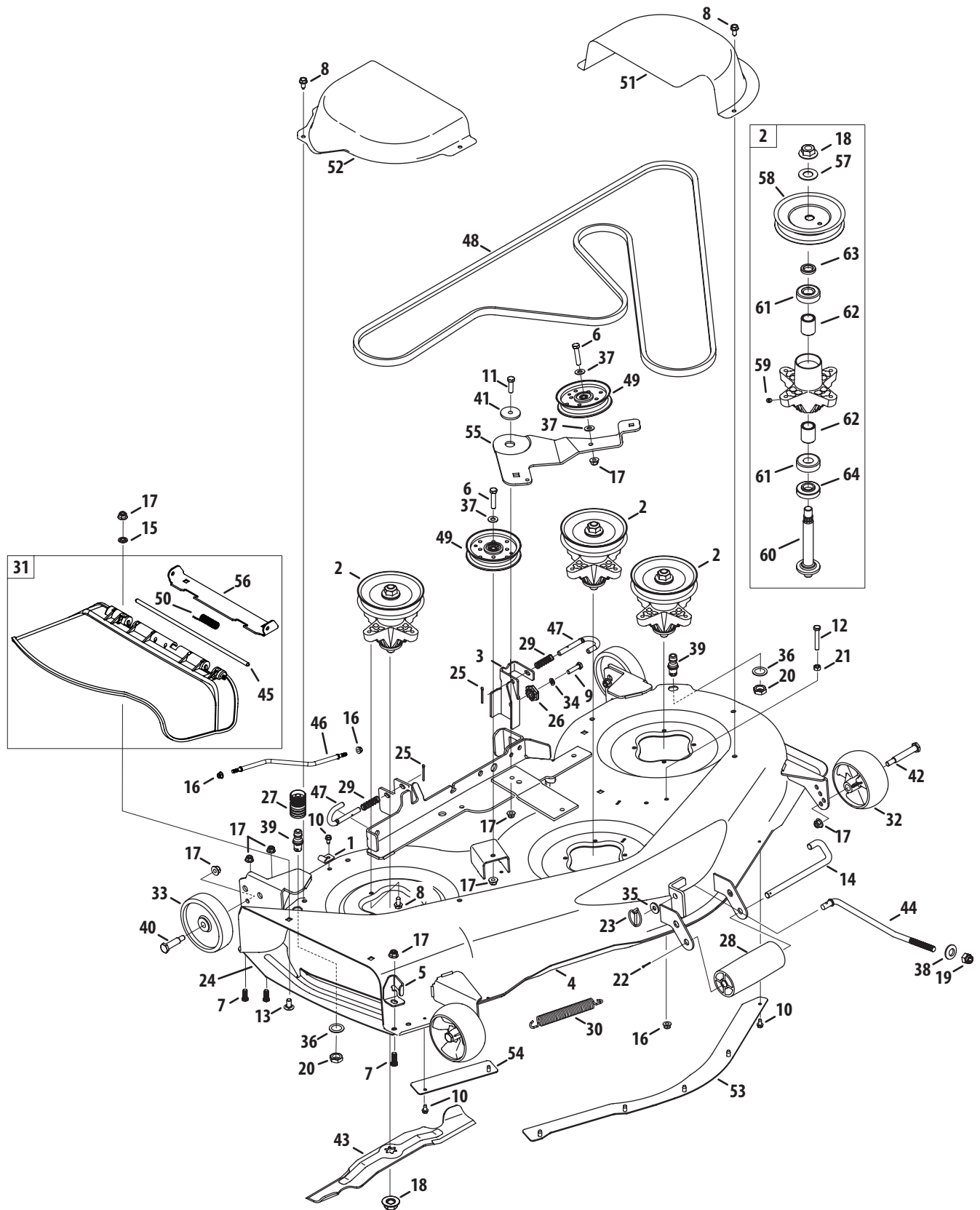
Drive System



Ref.	Part Number	Description
1.	918-04270B	Transmission, Hydro-Gear 0510
2.	710-0176	Hex Screw, 5/16-18, 2.75, Gr5, Std
3.	710-0227	Screw, #8-18, 0.500,
4.	710-0351	Screw, #10-16, 0.500
5.	710-04484	Screw, Self-tapping, 5/16-18, .750
6.	710-0653	Screw, Self-tapping, 1/4-20, 0.375
7.	710-1007	Screw, Self-tapping, 3/8-16, 1.500
8.	710-1325	Screw, Self-tapping, 1/4-20, 1.625
9.	710-3011	Hex Screw, 3/8-16, 2.25, Gr5
10.	912-0240	Nut, Jam, 7/16-20, Gr2
11.	912-0346	Nut, Jam Lock, 1/2-20, Gr5, Nylon
12.	712-04063	Nut, Flange Lock, 5/16-18, Nylon
13.	912-0431	Nut, Flange Lock, 3/8-16
14.	914-0111	Pin, Cotter, 3/32, 1.0
15.	725-0157	Cable, Tie, 3/16 x .05 x 7.4
16.	725-04791A	Jumper Harness, Ground & Reverse
17.	725-1644	Switch, Spring, Short
18.	926-0154	Tie, Cable, Push Mount 7.5
19.	926-0320	Plate, Insulator Nut
20.	731-05300A	Sleeve, .765 Id x 2.41
21.	731-06098	Fan, Hydro
22.	932-0209	Spring, Extension, .48 Od x 2.03
23.	732-04606	Spring, Extension, .500 Dia x 12.6
24.	732-04792	Spring, Extension, 1.00 Dia x 4.75
25.	732-0716D	Spring, Extension, .59 Od x 4.00
26.	732-0729	Ring, Wire
27.	732-3118	Spring, Extension, .375 Od x 1.44
28.	936-0264	Washer, Flat, .330 x .630 x .0635
29.	736-04263	Washer, Lock, Transmission Hydro
30.	936-3008	Washer, Flat, .344 x .750 x .120
31.	736-3010	Washer, Flat, .407x.812x.135, Ht
32.	736-0242	Washer, Bell, .340 x .872 x .060
33.	710-0627	Hex Screw, 5/16-24, .750, Gr5, Lock
34.	738-04420	Spacer, Shoulder, 1.375 x .380 x .183
35.	747-04139	Rod, Brake, LT Hydro
36.	747-04957A	Rod, Transmission, Bypass

Ref.	Part Number	Description
37.	747-04979	Rod, Control, Hydro
38.	747-04991	Rod, Hydro Bypass
39.	750-04456	Spacer, .260 x .372 x 1.420
40.	954-04207	Belt, V-Type
41.	756-04224	Pulley, Idler, Flat 2.75 OD
42.	756-04308	Pulley, Input, 4.13 Dia
43.	756-04325	Pulley, Idler, V-Type x 3.06
44.	783-06027A	Bracket, Idler, Center Double
45.	783-06133	Bracket, Mount, Hydro
46.	783-06260	Bracket, Support, Belt Disengage
47.	783-1019B	Bracket, Actuator, Switch
48.	647-04152C	Control Assembly, Brake
49.	683-04537	Bracket Assembly, Pedal, Hydro
50.	710-0604A	Screw, Self-tapping, 5/16-18, 0.625,
51.	711-05068	Pin, Clevis, 5/16 x 3.985
52.	712-04065	Nut, Flange Lock, 3/8-16, Nylon
53.	714-04040	Pin, Cotter, Bow-Tie 72
54.	783-06059	Bracket, Pedal, Hydro
55.	726-0214	Cap, Push 5/8
56.	732-04587	Spring, Extension, .63 Dia x 4.95
57.	735-04136	Pad, Pedal, Brake
58.	736-0242	Washer, Bell, .340 x .872 x .060
59.	918-04228	Hub Assembly, Wheel
60.	938-0380	Bolt, Shoulder, .500 x .270, 3/8-16
61.	741-0495	Bearing, Flange, .630 x .695 x .60
62.	748-04203	Latch, Cruise
63.	783-05914	Bracket, Support, Pedal Strap
64.	783-05940	Bracket, Support, Pedal Strap 5/8
65.	783-06103A	Bracket, Pedal, Brake
66.	735-04135	Pad, Pedal, Reverse
67.	735-04118A	Pad, Pedal, Forward
68.	738-0430	Scr, Shldr, .50 x .685 3/8-16
69.	936-0344	Washer, Flat, .385 x 1.0 x .030
70.	747-05444	Belt Keeper Rod
71.	710-1026	Screw, Self-tapping, 1/4-20 x 1.75

50-inch Deck

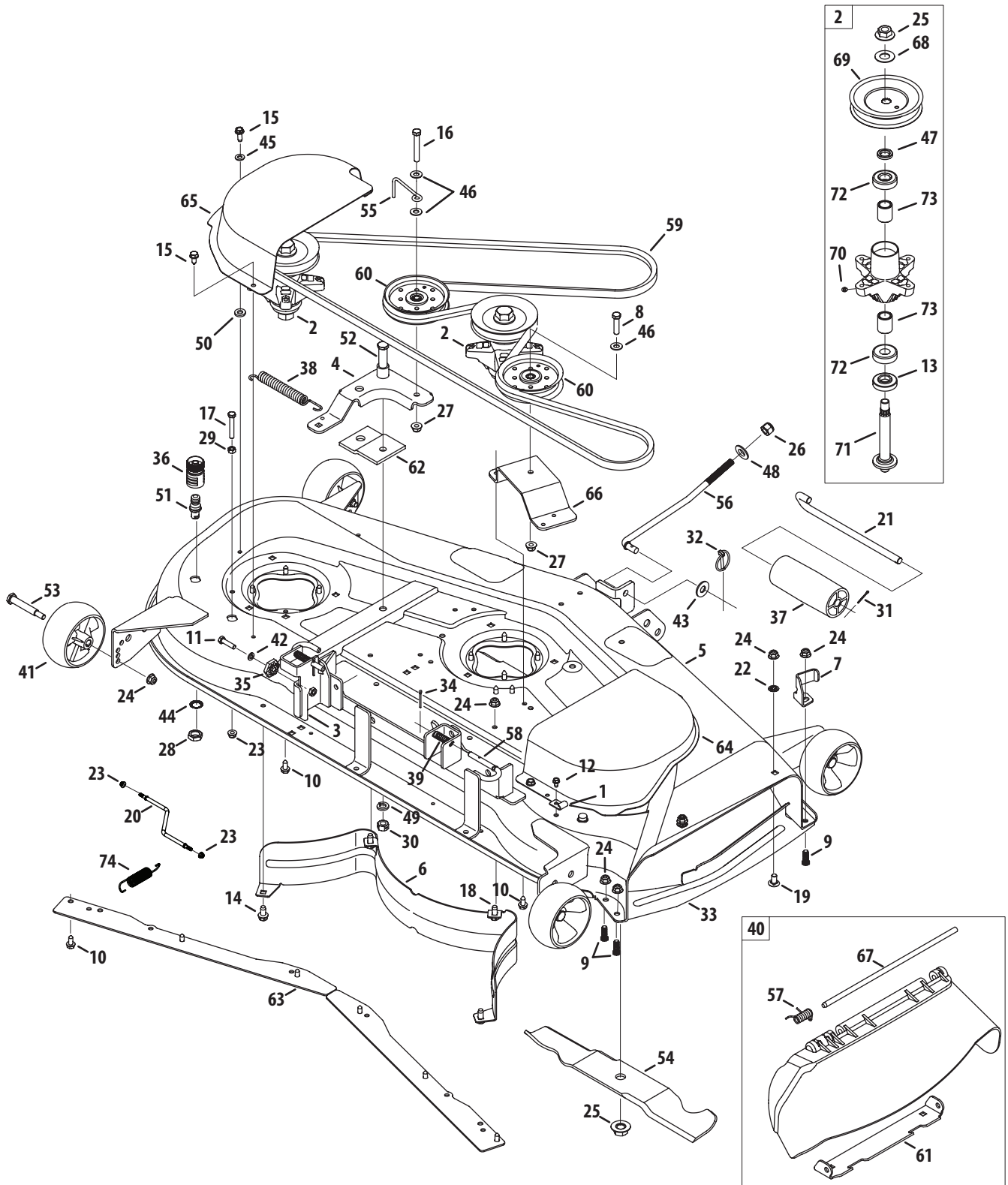


50-inch Deck

Ref.	Part Number	Description
1.	96606	Bracket, Hook, Retainer
2.	918-04125B	Spindle Assembly, Pulley, 5.39 Dia.
3.	683-0254B	Bracket Assembly, Deck, Hanger LH
4.	983-04645	Deck Assembly, 50"
5.	703-3279	Stop, Chute, Deflector
6.	710-0347	Hex Screw, 3/8-16, 1.75, Gr5
7.	710-04095	Hex Screw, 3/8-16, 1.00, Gr5, Spec
8.	710-04484	Screw, Self-tapping, 5/16-18, .750,
9.	710-0528	Hex Screw, 5/16-18, 1.25, Gr5, Std
10.	710-0599	Screw, Self-tapping, 1/4-20, 0.500
11.	710-3005	Hex Screw, 3/8-16, 1.25
12.	710-3103	Hex Screw, 5/16-18, 2.00, Gr5, Std
13.	710-3178	Bolt, Carriage, 3/8-16, 0.75, Gr1
14.	911-3314	Roller Pin-1/2 Dia. x 7.31
15.	712-0229	Nut, Push, 3/8
16.	712-04063	Nut, Flange Lock, 5/16-18, Nylon
17.	712-04065	Nut, Flange Lock, 3/8-16, Nylon
18.	712-0417A	Nut, Flange, 5/8-18
19.	712-04243	Nut, 1/2-13
20.	912-0641	Nut, Hex, M16-1.5
21.	912-3010	Nut, Hex, 5/16-18, Gr5
22.	914-0111	Pin, Cotter, 3/32, 1.0
23.	753-04070	Pin, Lynch, .1875
24.	703-3511A	Finger Guard
25.	914-0470	Pin, Cotter, 1/8 x 1.25
26.	917-04074	Gear, Deck, Adjustment
27.	921-04041	Coupler, Water
28.	731-05679	Roller, Front
29.	732-04652	Spring, Compr', .535 OD x 1.751
30.	732-0459C	Spring, Extension, .94 OD x 6.74
31.	631-04070A	Chute Assembly
32.	734-04155	Wheel, Deck, 5.0 Dia. Ball

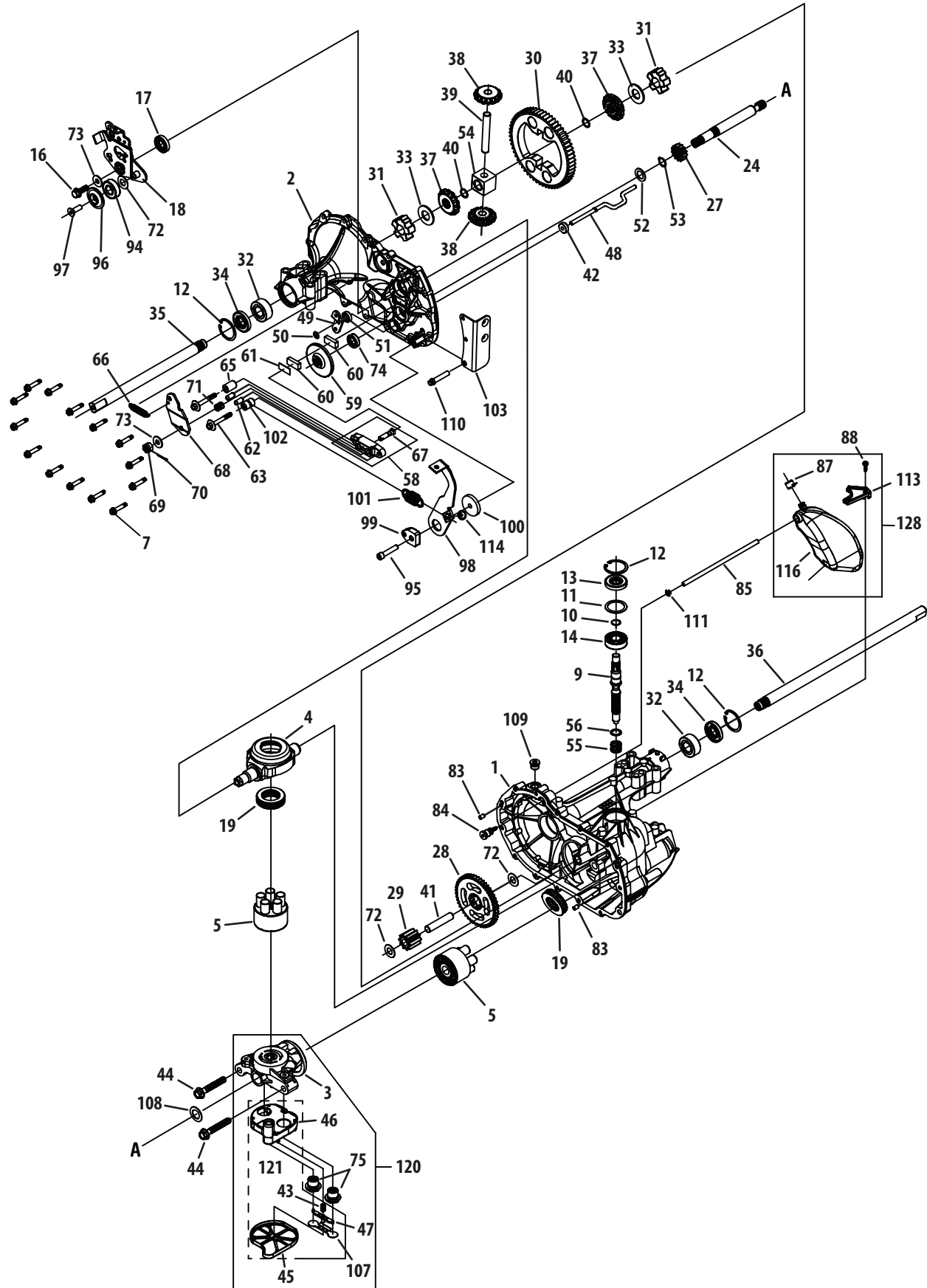
Ref.	Part Number	Description
33.	734-0973	Wheel, Deck 5.0 x 1.38
34.	936-0119	Washer, Lock, 5/16, Regular Duty
35.	936-0179	Washer, Flat, .531 x 1.25 x .100
36.	736-0225	Washer, Lock, 5/8, Int Tooth
37.	936-0300	Washer, Flat, .406 x .875 x .059
38.	736-0317	Washer, Bell, .63 x 1.25 x .18
39.	737-04003D	Port, Water
40.	938-0373	Bolt, Shoulder, .496 x 1.525, 3/8-16
41.	738-04162A	Spacer, Shoulder, .8840 x .190
42.	938-3056	Bolt, Shoulder, .496 x 2.50, 3/8-16
43.	942-04053C	Blade, 17.90 Star 2 In 1
44.	747-05067A	Rod, Lift, Deck, Front, 11.7
45.	711-04565	Pin, Hinge, .3175 Dia. x 14.06 ,1
46.	747-05462	Rod, Sway
47.	747-1116	Rod, Deck Release
48.	954-04077	Belt, V-Type
49.	756-04129B	Pulley, Idler, 4.25" Dia.
50.	732-04372	Spring, Torsion, .44 I.D. x 2.0,
51.	783-04399	Cover, Belt, LH 50"
52.	783-04400	Cover, Belt, RH 50"
53.	783-04414A	Skirt, Center, 50"
54.	783-04415	Skirt, RH, 50"
55.	783-05303	Bracket, Idler, 50" w/o Spacer
56.	783-05030	Bracket, Chute 50/54"
57.	736-0315	Washer, Flat, .760 X 1.50 X .120
58.	756-04216	Pulley, Deck, 5.39 Dia.
59.	937-3000	Lube Fitting, 3/16
60.	738-1010A	Shaft, Spindle, 5.75 Lg.
61.	941-0919	Bearing, Ball, .787id x 1.85 Od x .551
62.	750-1000	Spacer, .80 x 1.10 x 1.322
63.	748-0160A	Spacer, .790 x 1.25 x .175
64.	750-1349A	Spacer, .79 x 1.82 x .55lg.

54-inch Deck



Ref.	Part Number	Description	Ref.	Part Number	Description
1.	96606	Bracket, Hook, Retainer	38.	732-04247	Spring, Extension, .85 OD x 6.415
2.	918-04125B	Spindle Assembly, Pulley, 5.39 Dia.	39.	732-04652	Spring, Compr', .53 OD x 1.75
3.	683-0254B	Bracket Assembly, Deck, Hanger LH	40.	631-04070A	Chute Assembly
4.	683-04182	Idler Assembly, Arm, 54"	41.	734-04155	Wheel, Deck, 5.0 Dia. Ball
5.	983-04651	Deck Assembly, 54"	42.	936-0119	Washer, Lock, 5/16, Regular Duty
6.	703-2093B	Baffle, Rear	43.	936-0179	Washer, Flat, .531 x 1.25 x .100
7.	703-3279	Stop, Chute, Deflector	44.	736-0225	Washer, Lock, 5/8, Int Tooth
8.	710-0347	Hex Screw, 3/8-16, 1.75, Gr5	45.	936-0275	Washer, Flat, .344 X .688 X .065
9.	710-04095	Hex Screw, 3/8-16, 1.00, Gr5, Spec	46.	936-0300	Washer, Flat, .406 x .875 x .059
10.	710-04484	Screw, Self-tapping, 5/16-18, .750,	47.	748-0160A	Spacer, .790 x 1.25 x .175
11.	710-0528	Hex Screw, 5/16-18, 1.25, Gr5, Std	48.	736-0317	Washer, Bell, .63 x 1.25 x .18
12.	710-0599	Screw, Self-tapping, 1/4-20, 0.500	49.	936-0921	Washer, Lock, 1/2, Regular Duty
13.	750-1349A	Spacer, .79 x 1.82 x .55lg.	50.	736-3010	Washer, Flat, .407x.812x.135
14.	710-0623	Screw, Self-tapping, 3/8-16, 0.750	51.	737-04003D	Port, Water
15.	710-0650	Screw, Self-tapping, 5/16-18, 0.875	52.	738-1229A	Bolt, Shoulder, .625 x 2.50, 1/2-13
16.	710-0859	Hex Screw, 3/8-16, 2.50, Gr5, Std	53.	938-3056	Bolt, Shoulder, .496 x 2.50, 3/8-16
17.	710-3103	Hex Screw, 5/16-18, 2.00, Gr5, Std	54.	942-0677B	Blade, 18.50 Star 2 In 1
18.	710-3168	Bolt, Carriage, 3/8-16, 1.00, Gr5	55.	747-04530	Rod, Keeper
19.	710-3178	Bolt, Carriage, 3/8-16, 0.75, Gr1	56.	747-05067A	Deck Lift Rod, Front, 11.7
20.	747-05462	Rod, Support, Deck	57.	732-04372	Spring, Torsion, .44 I.D. x 2.0,
21.	911-3314	Roller Pin-1/2 Dia. x 7.31	58.	747-1116	Rod, Deck Release
22.	712-0229	Nut, Push, 3/8	59.	954-0642	Belt, V-Type
23.	712-04063	Nut, Flange Lock, 5/16-18, Nylon	60.	756-04129B	Pulley, Idler, 4.25" Dia.
24.	712-04065	Nut, Flange Lock, 3/8-16, Nylon	61.	783-05030	Bracket, Chute 50/54"
25.	712-0417A	Nut, Flange, 5/8-18	62.	783-04013A	Bracket, Stabilizer, Pulley
26.	712-04243	Nut, 1/2-13	63.	783-04690B	Skirt, Deck, 54"
27.	912-0431	Nut, Flange Lock, 3/8-16, GrF	64.	783-04691	Cover, Belt, RH 54"
28.	912-0641	Nut, Hex, M16-1.5	65.	783-04692	Cover, Belt, LH 54"
29.	912-3010	Nut, Hex, 5/16-18, Gr5	66.	783-04726	Bracket, Idler, Stationary
30.	712-3022	Nut, Hex Lock, 1/2-13, GrB	67.	711-04565	Pin, Hinge, .3175 Dia. x 14.06, 1
31.	914-0111	Pin, Cotter, 3/32, 1.0	68.	736-0315	Washer, Flat, .760 X 1.50 X .120
32.	753-04070	Pin, Lynch, .1875	69.	756-04216	Pulley, Deck, 5.39 Dia.
33.	703-3511A	Finger Guard	70.	937-3000	Lube Fitting, 3/16
34.	914-0470	Pin, Cotter, 1/8 x 1.25	71.	738-1010A	Shaft, Spindle, 5.75 Lg.
35.	917-04074	Gear, Deck, Adjustment	72.	941-0919	Bearing, Ball, .787id x 1.85 Od x .551
36.	921-04041	Coupler, Water	73.	750-1000	Spacer, .80 x 1.10 x 1.322
37.	731-05679	Roller, Front	74.	732-0934	Spring, Extension, 1.15 OD x 5.99

Hydrostatic Transmission (Hydro-Gear 311-0510)

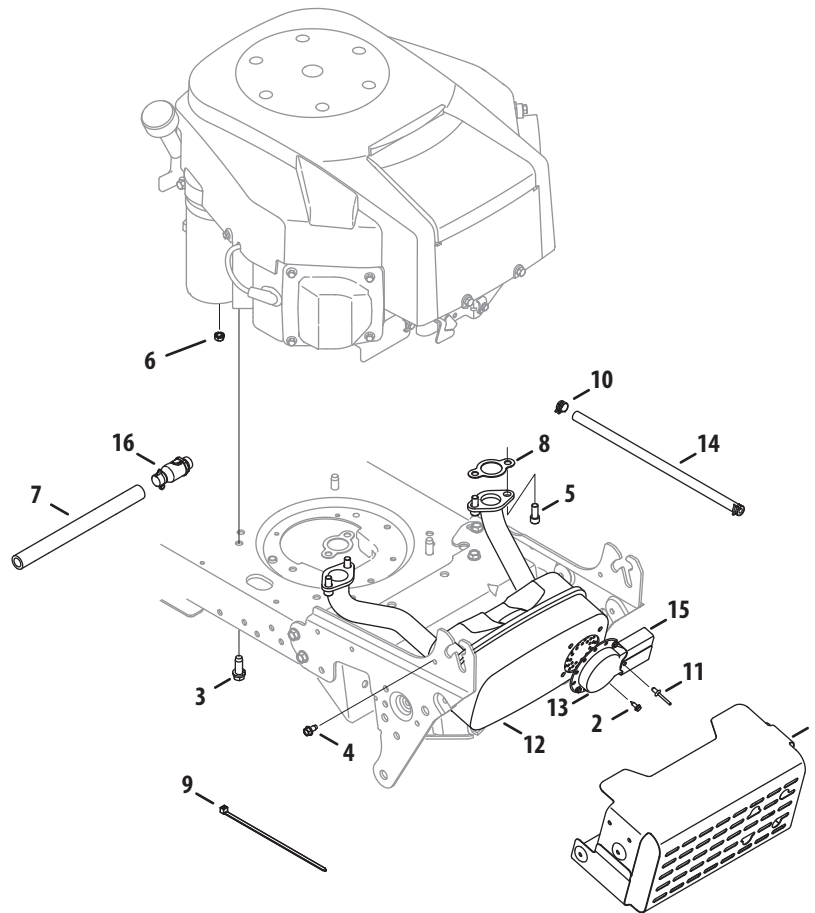


Hydrostatic Transmission (Hydro-Gear 311-0510)

Ref.	Part Number	Description	Ref.	Part Number	Description
1	HG-70467	Main Housing Assembly	40	HG-44871	Ring, Spiral Retaining
		Main Housing, Machined	41	HG-51083	Pin, Jackshaft
		Bushing ,865 x 985 x .790	42	HG-51100	Magnet, Ring
2	HG-70483	Main Housing Assembly	43	HG-51136	Spring, Bypass
		Main Housing, Machined	44	HG-50016	Hydro Mtg Screw 3/8-24 x 2.5
		Bushing ,865 x 985 x .790	45	HG-51581	Bottom, Filter
		Bushing 624 x 719 x .562	46	HG-51580	Base Filter W/ Poppet
3	HG-70477	Center Section Assembly	47	HG-51091	Actuator Bypass
		Center Section Machined	48	HG-51098	Rod Bypass Actuator
		Bushing. 707 x .788 x .591	49	HG-51135	Arm, Bypass
4	HG-51048	Swashplate, Trunnion Machined	50	HG-51116	Retaining Ring 0.250 External
5	HG-70331	Block - Assembly	51	HG-51081	Seal, Lip .741 x .250 x .250 Tc
		Block - Cylinder	52	HG-44371	Flat Washer 5/8 Id x 1.0 Od x .05
		Piston	53	HG-44145	Retaining Ring
		Spring, Compression	54	HG-51071	Bearing, Center Block
		Washer - Thrust	55	HG-2003014	Spring - Helical Compression
7	HG-53246	Hex Flange Screw 1/4-20 x-1,25	56	HG-2003017	Washer
9	HG-51062	Shaft, Input	58	HG-62589	Kit, Brake Yoke
10	HG-2000022	Ring - Retaining			Brake Yoke
11	HG-50951	Spacer			Sq. Hd, Bolt 5/16-24 Ribbed
12	HG-50329	Ring - Retaining	59	HG-51072	Rotor, Brake
13	HG-51161	Seal Lip .67 x 1.58 x .276	60	917-0678	Brake Puck
14	HG-50315	Ball Bearing 17mm Id x 40mm Od	61	917-0682	Puck Plate
16	HG-51064	Bolt. Flange 5/16-24 x .94 (Patch)	62	941-0343	Brake Actuating Pin
17	HG-51140	Lip Seal 18 x 32 x 7	63	HG-51146	Hex Screw 1/4-20 x 2 w/ Patch
18	HG-51119	Arm Control	65	HG-23711	Spacer
19	HG-50551P	Bearing 30x52 x 13 Thrust	66	HG-70896	Kit, Spring
24	HG-50966	Shaft Motor	67	N/A	So. Hd, Bolt 5/16-24- Ribbed
27	HG-51130	Gear - Pinnion 13t	68	HG-44094	Arm, Brake
28	HG-51129	10t/48t Gear	69	912-0273	Slotted Hex Nut 5/16-24
29	HG-51043	Gear Jot Jackshaft	70	914-0507	Cotter Pin 3/32 x 3/4
30	HG-51044	60t Bull Gear	71	HG-50919	Comp. Spring Brake Anti-Drag
31	HG-51088	Sleeve Bearing .75 x 1.750 x .625	72	HG-50132	Washer, Ht .5 I. D. x 1 OD, x .032
32	HG-51089	Sleeve Bearing .75 x 1.575 x .625	73	736-0371	Flat Washer, 11/32 ID x 7/8 OD
33	HG-44875	Washer 3/4 Id x 1-1/2 Od x .13 Thk	74	HG-70719	Kit, Seal
34	HG-51066	Lip Seal Axle Seal			Oil, Seal 625 x Lo x .25
35	HG-51079	Shaft Axle .75 x 11.39 (Dd R. H.)			Ring, Ret-Star Washer
36	HG-51078	Shaft Axle .75 x 17.99 (Dd, L, H.)			Bulletin, Shaft Seal
37	HG-71310	Miter Gear (Splined)	75	HG-51084	Check Plug Assem, .027 Washer
38	HG-44097	Miter Gear 15t (0.5 Id)	83	HG-9004800-2506	Pin, Standard Headless
39	HG-50146	Shaft	84	HG-51143	Fitting, 5/16 Sae 5/32 Tube

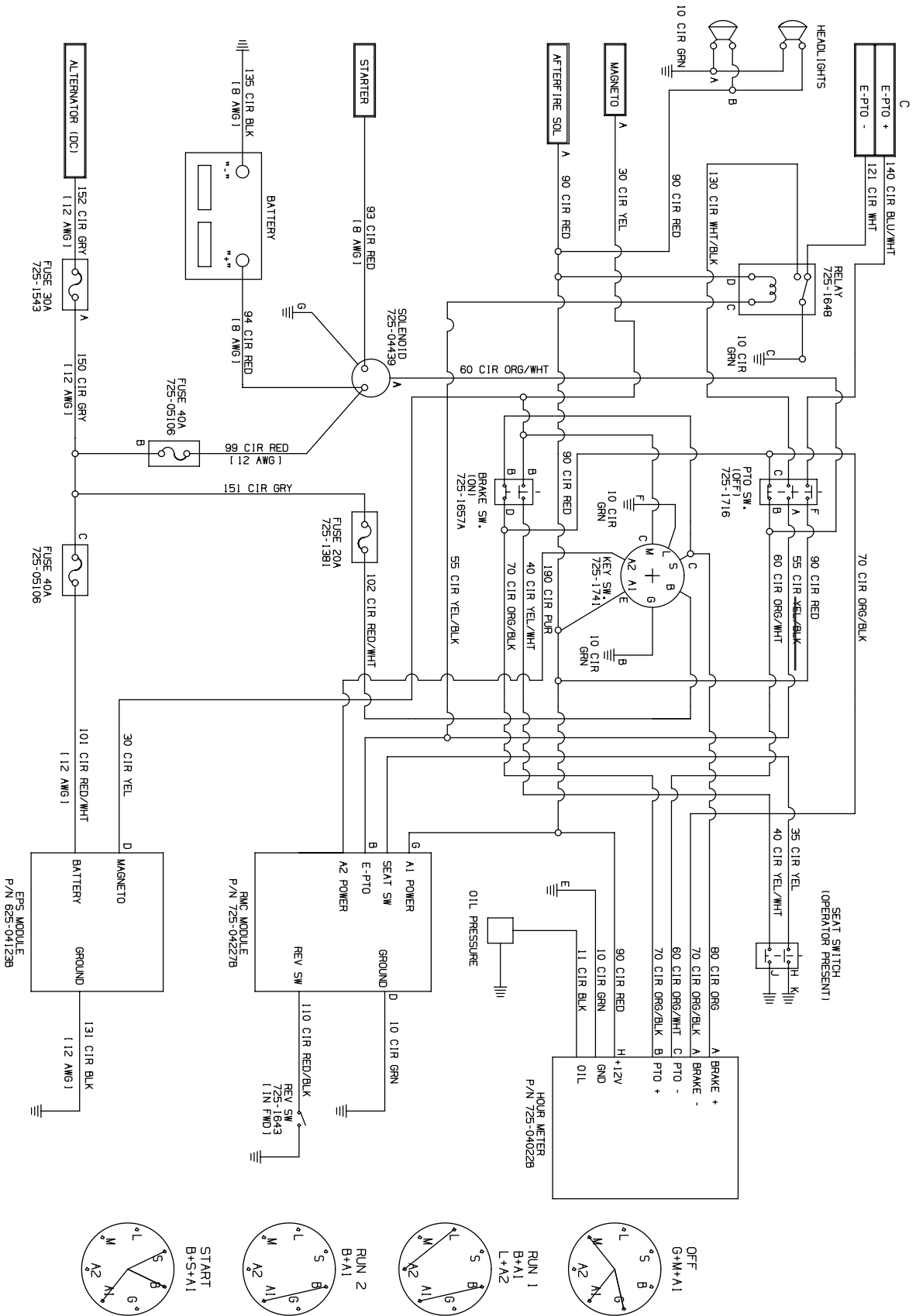
Hydrostatic Transmission (Hydro-Gear 311-0510)

Ref.	Part Number	Description	Ref.	Part Number	Description
85	HG-51147	Hose, Expansion Tank	121	HG-70756	Filter Assembly
87	HG-51251	Cap., Vent			Bottom Filter
88	HG-50653	Bolt, Self Tapping 10-32 x 112			Base Filter w/ Poppet
94	HG-44147	Ball Bearing .62 Id x 1,38 x 44			Spring Bypass
95	HG-50837	Cap Screw, 5/16-24 x 1-112			Actuator Bypass
96	HG-51200	Spacer, Locating			Deflector
97	HG-50870	Screw, Sfhcs	128	HG-70503	Kit, Expansion Tank
98	HG-51120	Arm, Return			Tank, Expansion
99	HG-51097	Puck, Adjusting			Cap, Vent
100	HG-51122	Washer, .325 OD x 1.6 ID x .150			Bolt, Self Tapping 10-32 x 1/2
101	HG-51131	Spring, Extension			Bracket, Support Expansion Tank
102	HG-51123	Spacer, .56 x .26 x .87			Silicon-Sponge 112 x 1/2 x 3/16
103	HG-51223	Bracket, Torque	—	HG-50928	Sealant
107	HG-51134	Deflector	—	HG-70463	Seal, O-Ring Kit
108	HG-51069	Washer, Motor Shaft .71 Id 1.15 Od	—	—	20w-50 Oil (78.8 oz)
109	HG-9005110-5600	Plug, SAE #6			
110	HG-50868	Torx Head Screw, 5/16-18			
111	HG-51144	O-Ring, .07 x .301 ID			
113	HG-51179	Bracket, Support Expansion Tank			
114	HG-51184	Spring Guide			
116	HG-70503	Silicon Sponge			
120	HG-70759	Center Section - Bypass Assm			
		Center Section Machined			
		Base Filter w/ Poppet			
		Check Plug Assembly			
		Spring Bypass			
		Actuator Bypass			
		Deflector			
		Bottom, Filter			
		Bushing, .707 x .788 x .591			

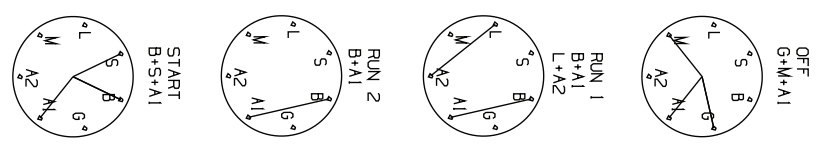
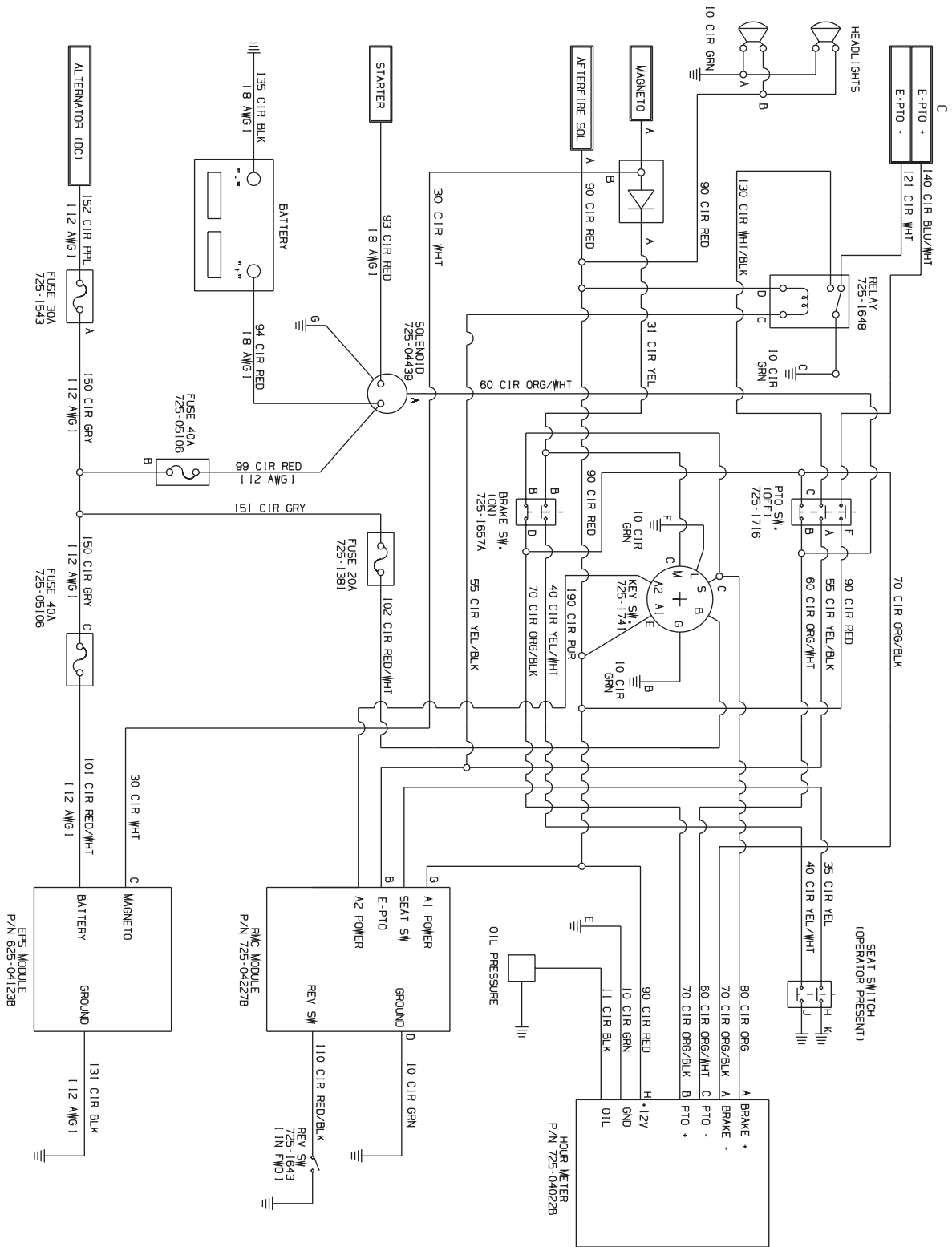


Ref.	Part Number	Description
1.	683-04549	Shield Ass'y, Muffler
2.	710-0227	Screw, Ab, #8-18, 0.500,
3.	710-04683	Screw, Self-tapping, 3/8-16, 1.000,
4.	710-0599	Screw, Self-tapping, 1/4-20, 0.500,
5.	710-1314A	Screw, Socket Head, 5/16-18, .750
6.	712-0271	Nut, Sems, 1/4-20
7.	751-3141-14	Hose, Extension, Oil Drain
8.	KH-24-041-49-S	Gasket, Exhaust
9.	725-0157	Cable, Tie, 3/16 x .05 x 7.4
10.	726-0205	Clamp, Hose, .490 Dia.
11.	728-04000	Rivet, Pop, .188 Dia x .300
12.	751-10528A	Muffler, Kohler Twin
13.	751-0564B	Deflector, Muffler
14.	751-10349	Hose, Fuel, Low Permeation, 1/4
15.	751-11053	Deflector, Muffler, Long
16.	951-10517A	Drain, Oil
17.	751-12089-28	Hose, Vent

Electrical Schematic (725-05285)



Electrical Schematic (725-05414)



LGTX 1050 Labels

777D15338



777S33836

⚠ DANGER
ROTATING BLADES CAUSE SERIOUS INJURY OR DEATH

- DO NOT MOW WHEN CHILDREN OR OTHERS ARE AROUND.
- NEVER CARRY CHILDREN EVEN WITH BLADE(S) OFF.
- LOOK DOWN AND BEHIND BEFORE AND WHILE BACKING.
- MOWING IN REVERSE IS NOT RECOMMENDED.

TO START

- DISENGAGE BLADES/PTO, (POWER TAKE OFF)
- ENGAGE THE TRACTOR'S PARKING BRAKE.
- ACTIVATE THE CHOKE CONTROL.
- TURN KEY TO START ENGINE. AFTER START RELEASE KEY & DEACTIVATE CHOKE BY PLACING THROTTLE TO FAST "RABBIT" POSITION.

OPERATING MODES

NORMAL MOWING
YOU MUST DISENGAGE BLADES/PTO, (POWER TAKE OFF) BEFORE TRAVELING IN REVERSE.

REVERSE CAUTION MODE

- TURN KEY TO REVERSE CAUTION MODE POSITION.
- DEPRESS REVERSE PUSH BUTTON, (RED INDICATOR LIGHT "ON") WHEN RED LIGHT IS "ON" MACHINE CAN BE OPERATED IN REVERSE WITH MOWER BLADES ENGAGED. IMPORTANT! MOWING IN REVERSE IS NOT RECOMMENDED.
- AFTER RESUMING FORWARD OPERATION, RETURN KEY TO "NORMAL MOWING" POSITION.

NOTE: IN BOTH MODES, WHEN OPERATOR LEAVES SEAT, ENGINE WILL STOP UNLESS PARKING BRAKE IS SET AND BLADES ARE DISENGAGED.

⚠ WARNING
TO AVOID SERIOUS INJURY OR DEATH

- GO UP AND DOWN SLOPES, NOT ACROSS.
- AVOID SUDDEN TURNS.
- DO NOT OPERATE THE UNIT WHERE IT COULD SLIP OR TIP.
- IF MACHINE STOPS GOING UPHILL, STOP BLADE(S) AND BACK DOWNHILL SLOWLY.
- KEEP SAFETY DEVICES (GUARDS, SHIELDS, AND SWITCHES, ETC.) IN PLACE AND WORKING.
- REMOVE OBJECTS THAT COULD BE THROWN BY THE BLADE(S).
- KNOW LOCATION AND FUNCTION OF ALL CONTROLS.
- BE SURE BLADE(S) AND ENGINE ARE STOPPED BEFORE PLACING HANDS OR FEET NEAR BLADE(S).
- BEFORE LEAVING OPERATOR'S POSITION, DISENGAGE BLADE(S), ENGAGE PARKING BRAKE, SHUT OFF AND REMOVE KEY.

READ OPERATOR'S MANUAL

LOWER DASH

PARKING BRAKE
DEPRESS BRAKE PEDAL, PUSH PARKING BRAKE LEVER DOWN AND RELEASE PEDAL TO LOCK.

CRUISE CONTROL
DEPRESS SPEED CONTROL PEDAL TO DESIRED SPEED. PUSH CRUISE CONTROL LEVER DOWN AND RELEASE PEDAL, PRESS BRAKE OR SPEED CONTROL TO RELEASE.

FOR A List Of Optional Attachments, Please Refer To Your Operators Manual.

⚠ WARNING
Operation of This Equipment May Create Sparks That Can Start Fires Around Dry Vegetation. A Spark Arrestor May Be Required. The Operator Should Contact Local Fire Agencies For Laws Or Regulations To Fire Prevention Requirements.

777D15407



777D16298



777I23293



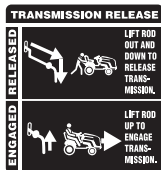
777D15269



777D15268



777I23132



777D15400



777X45530



777I23491



777I23531



777D16888



777D16887



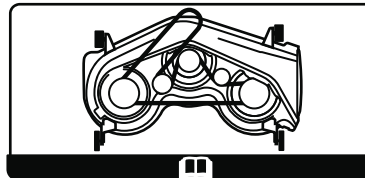
777S33183

⚠ DANGER
AVOID SERIOUS INJURY OR DEATH

- KEEP HANDS AND FEET AWAY FROM ROTATING PARTS.
- REMOVE OBJECTS THAT CAN BE THROWN BY THE BLADE IN ANY DIRECTION. WEAR SAFETY GLASSES.
- DO NOT MOW WHEN CHILDREN OR OTHERS ARE AROUND. NEVER CARRY CHILDREN EVEN WITH BLADES OFF.
- USE EXTRA CAUTION ON SLOPES. DO NOT MOW SLOPES GREATER THAN 15°. MOW ACROSS NOT UP AND DOWN. AVOID SUDDEN TURNS. USE LOW SPEED.

READ OPERATOR'S MANUAL. KEEP SAFETY DEVICES IN PLACE AND WORKING.

777I22265



777I23133



777S30503

⚠ DANGER
KEEP HANDS AND FEET AWAY. DO NOT OPERATE MOWER UNLESS CHUTE DEFLECTOR OR ENTIRE GRASS CATCHER IS IN ITS PROPER PLACE.

ASSEMBLE CHUTE DEFLECTOR TO THIS UNIT BEFORE OPERATING.

777X45789

MODEL LGTX 1050 REPLACEMENT PARTS		
Use only Cub Cadet genuine factory parts		
Blades	942-04053C (3)	Oil Filter KH-12-050-01-S
Lower Drive Belt	954-04207	Air Filter W/ Pre-Cleaner KH-32-983-03-S1
Engine to Deck Belt	954-04077	Spark Plug 759-3336
Deck Spindles	918-04125B	Fuel Filter KH-25-050-22-S1
Ignition Key	925-2054A	Oil Capacity 57.6 oz
Solenoid	725-04439	

www.cubcadet.com

777D15338



777S33836

⚠ DANGER
ROTATING BLADES CAUSE SERIOUS INJURY OR DEATH
 • DO NOT MOW WHEN CHILDREN OR OTHERS ARE AROUND
 • NEVER CARRY CHILDREN EVEN WITH BLADE(S) OFF.
 • LOOK DOWN AND BEHIND BEFORE AND WHILE BACKING.
 • MOWING IN REVERSE IS NOT RECOMMENDED.

⚠ WARNING
TO AVOID SERIOUS INJURY OR DEATH
 • GO UP AND DOWN SLOPES, NOT ACROSS.
 • AVOID SUDDEN TURNS.
 • DO NOT OPERATE THE UNIT WHERE IT COULD SLIP OR TIP.
 • IF MACHINE STOPS GOING UPHILL, STOP BLADE(S) AND BACK DOWNHILL SLOWLY.
 • KEEP SAFETY DEVICES (GUARDS, SHIELDS, AND SWITCHES, ETC.) IN PLACE AND WORKING.
 • REMOVE OBJECTS THAT COULD BE THROWN BY THE BLADE(S).
 • KNOW LOCATION AND FUNCTION OF ALL CONTROLS.
 • BE SURE BLADE(S) AND ENGINE ARE STOPPED BEFORE PLACING HANDS OR FEET NEAR BLADE(S).
 • BEFORE LEAVING OPERATOR'S POSITION, DISENGAGE BLADE(S), ENGAGE PARKING BRAKE, SHUT OFF AND REMOVE KEY.

READ OPERATOR'S MANUAL

⚠ WARNING
 Operation Of This Equipment May Create Sparks That Can Start Fires Around Dry Vegetation. A Spark Arrestor May Be Required. The Operator Should Contact Local Fire Agencies For Laws Or Regulations To Fire Prevention Requirements.

TO START
 1. DISENGAGE BLADES/PTO, (POWER TAKE OFF)
 2. ENGAGE THE TRACTOR'S PARKING BRAKE.
 3. ACTIVATE THE CHOKER CONTROL.
 4. TURN KEY TO START ENGINE. AFTER START RELEASE KEY & DEACTIVATE CHOKER BY PLACING THROTTLE TO FAST "RABBIT" POSITION.

OPERATING MODES
NORMAL MOWING
 YOU MUST DISENGAGE BLADES/PTO, (POWER TAKE OFF) BEFORE TRAVELING IN REVERSE.
REVERSE CAUTION MODE
 1. TURN KEY TO REVERSE CAUTION MODE POSITION.
 2. DEPRESS REVERSE PUSH BUTTON. (RED INDICATOR LIGHT "ON")
 WHEN RED LIGHT IS "ON" MACHINE CAN BE OPERATED IN REVERSE WITH MOWER BLADES ENGAGED.
 IMPORTANT: MOWING IN REVERSE IS NOT RECOMMENDED.
 3. AFTER RESUMING FORWARD OPERATION, RETURN KEY TO "NORMAL MOWING" POSITION.
NOTE: IN BOTH MODES, WHEN OPERATOR LEAVES SEAT, ENGINE WILL STOP UNLESS PARKING BRAKE IS SET AND BLADES ARE DISENGAGED.

LOWER DASH

PARKING BRAKE
 DEPRESS BRAKE PEDAL, PUSH PARKING BRAKE LEVER DOWN AND RELEASE PEDAL TO LOCK

CRUISE CONTROL
 DEPRESS SPEED CONTROL PEDAL TO DESIRED SPEED. PUSH CRUISE CONTROL LEVER DOWN AND RELEASE PEDAL, PRESS BRAKE OR SPEED CONTROL TO RELEASE

FOR A List Of Optional Attachments, Please Refer To Your Operators Manual.

777D15407



777D16298



777I23293



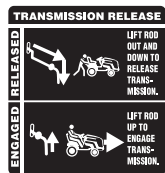
777D15269



777D15268



777I23132



777D15468



777X45529



777I23491



777I23531



777D16893



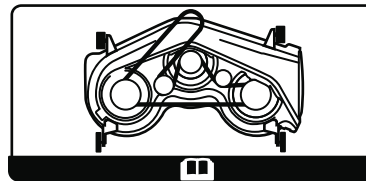
777D16892



777S33183

⚠ DANGER
AVOID SERIOUS INJURY OR DEATH
 • KEEP HANDS AND FEET AWAY FROM ROTATING PARTS.
 • REMOVE OBJECTS THAT CAN BE THROWN BY THE BLADE IN ANY DIRECTION. WEAR SAFETY GLASSES.
 • DO NOT MOW WHEN CHILDREN OR OTHERS ARE AROUND.
 • NEVER CARRY CHILDREN EVEN WITH BLADES OFF.
 • USE EXTRA CAUTION ON SLOPES. DO NOT MOW SLOPES GREATER THAN 15°. MOW ACROSS NOT UP AND DOWN, AVOID SUDDEN TURNS, USE LOW SPEED.
 READ OPERATOR'S MANUAL. KEEP SAFETY DEVICES IN PLACE AND WORKING.

777I22265



777I23133



777S30503

⚠ DANGER
 KEEP HANDS AND FEET AWAY. DO NOT OPERATE MOWER UNLESS CHUTE DEFLECTOR OR ENTIRE GRASS CATCHER IS IN ITS PROPER PLACE.
 S30503
ASSEMBLE CHUTE DEFLECTOR TO THIS UNIT BEFORE OPERATING.

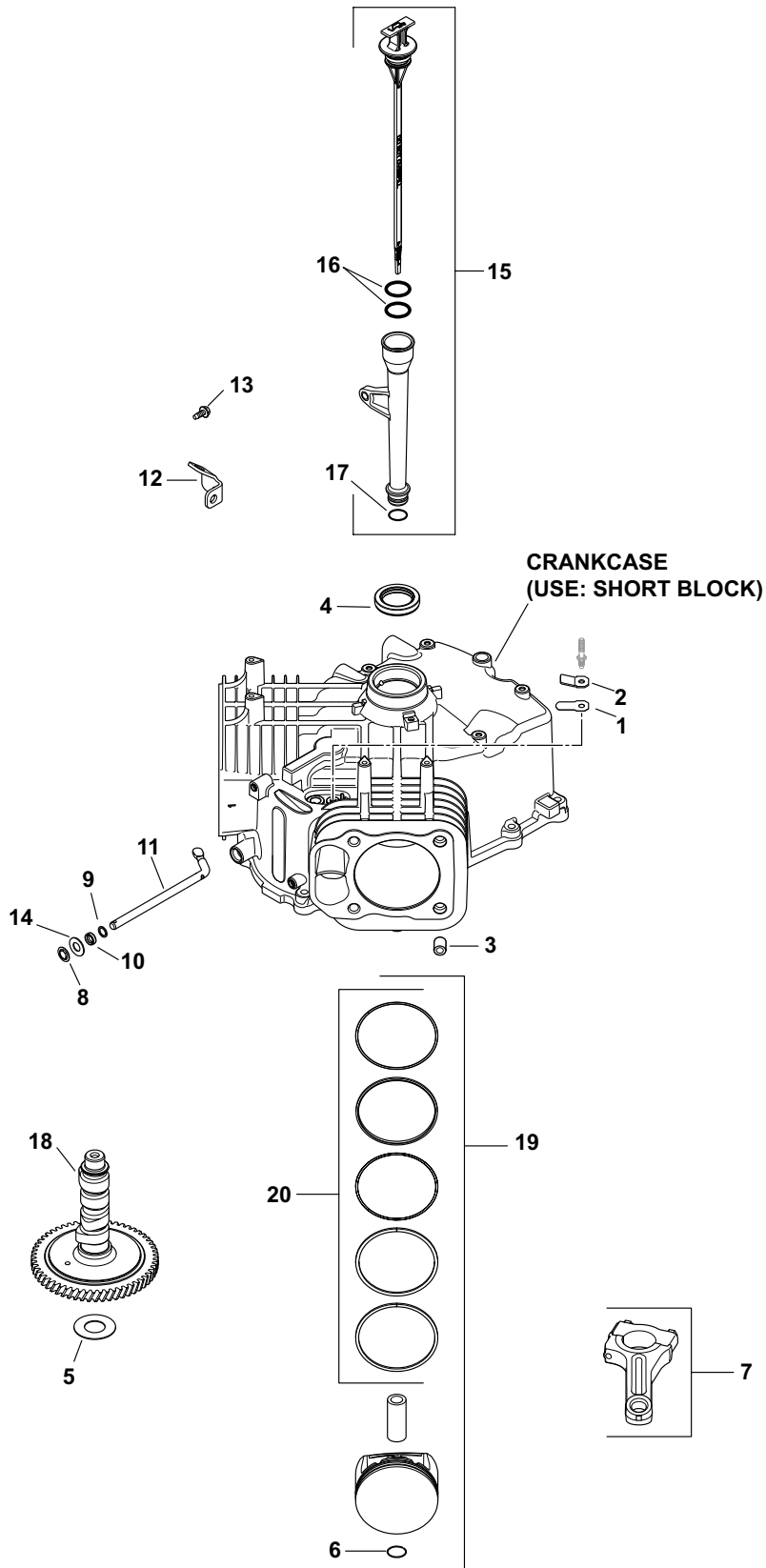
777X45793

MODEL LGTX 1054 REPLACEMENT PARTS
 Use only Cub Cadet genuine factory parts

Blades	942-0677B (3)	Oil Filter	KH-12-050-01-S
Lower Drive Belt	954-04207	Air Filter W/ Pre-Cleaner	KH-32-883-03-S1
Engine To Deck Belt	954-0642	Spark Plug	759-3336
Deck Spindles	918-041298	Fuel Filter	KH-25-050-22-S1
Ignition Key	925-2054A	Oil Capacity	57.6 oz
Solenoid	725-04439		

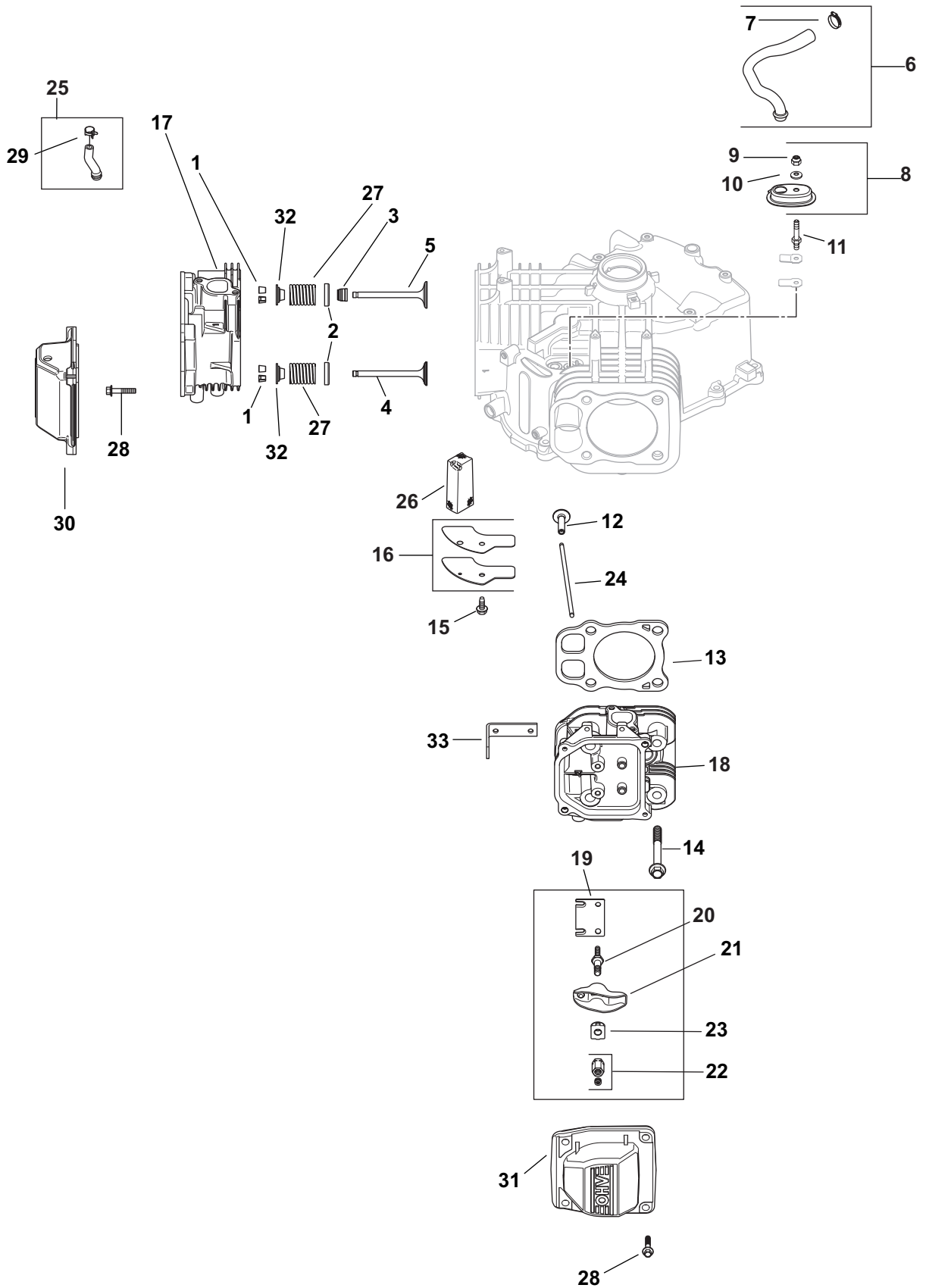
www.cubcadet.com

Kohler SV730-3044 Crankcase



Ref.	Part Number	Description
1	KH-12-402-02	Breather Reed
2	KH-24-018-04-S	Breather Reed Retainer
3	KH-24-380-16-S	Pin
4	KH-24-032-19-S	Oil Seal (Helix Lip)
5	KH-12-422-07-S	Camshaft Shim (White .028")
—	KH-12-422-08-S	Camshaft Shim (Blue .03")
—	KH-12-422-09-S	Camshaft Shim (Red .032")
—	KH-12-422-10-S	Camshaft Shim (Yellow .034")
—	KH-12-422-11-S	Camshaft Shim (Green .036")
—	KH-12-422-12-S	Camshaft Shim (Gray .038")
—	KH-12-422-13-S	Camshaft Shim (Black .04")
6	KH-24-018-01-S	Piston Pin Retainer
7	KH-24-067-28-S	Connecting Rod (Std)
8	KH-24-018-09-S	Ring Retainer
9	KH-24-468-15-S	Flat Washer, 1 ¹ / ₃₂
10	KH-28-032-09-S	Governor Cross Shaft Seal
11	KH-24-144-38-S	Governor Cross Shaft
12	KH-24-126-19	Oil Fill Tube Bracket
13	KH-M-545013-S	Flg. Thd. Frm. Screw, M5 x 0.8 x 13
14	KH-M-931010-S	Flat Washer, 9mm
15	KH-32-755-04-S	Dipstick And Tube Kit
16	KH-25-153-09-S	Dipstick O-Ring
17	KH-12-153-01-S	O-Ring, Lower Oil Fill Tube
18	KH-32-010-05-S	Camshaft Assembly
19	KH-32-874-13-S	Piston w/ Ring Kit
20	KH-32-108-01-S	Piston Ring Set, (Std)

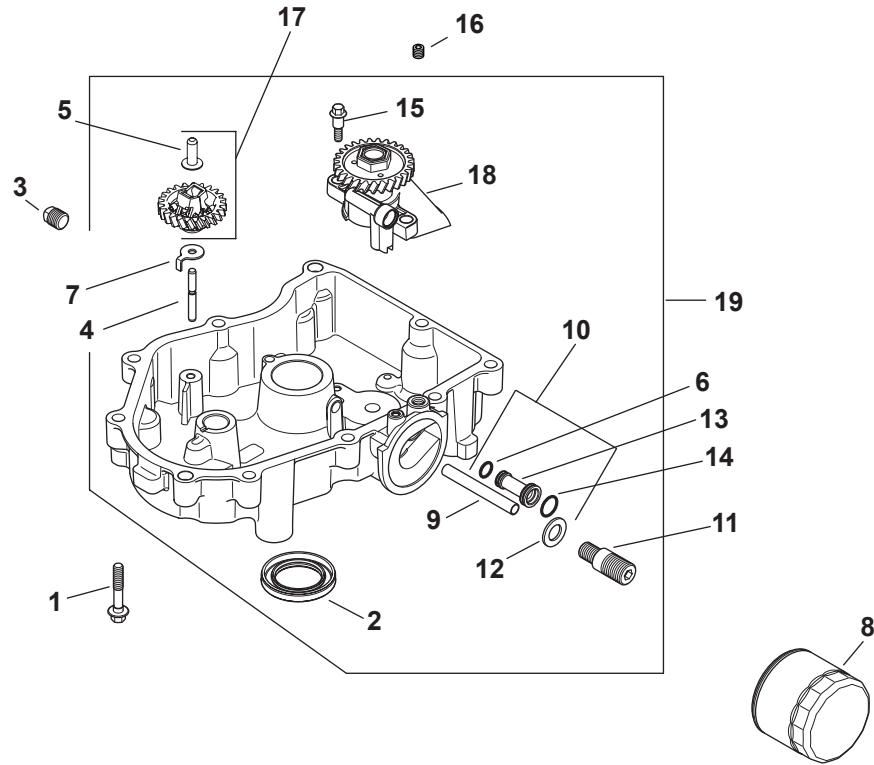
Kohler SV730-3044 Head/Valve/Breather



Kohler SV730-3044 Head/Valve/Breather

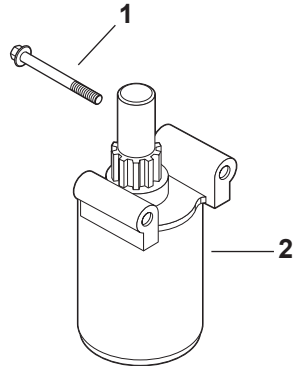
Ref.	Part Number	Description	Ref.	Part Number	Description
1	KH-12-755-03	Retainer Kit	18	KH-32-318-14-S	#2 Cylinder Head Assembly Kit (Inc. Exhaust Mounting Hardware)
2	KH-235011-S	Spring Retainer	19	KH-32-146-09-S	Guide Plate
3	KH-66-032-05-S	Valve Stem Seal	20	KH-32-072-04-S	Rocker Stud
4	KH-24-016-01	Exhaust Valve	21	KH-32-186-03-S	Rocker Arm
5	KH-24-017-01	Intake Valve	22	KH-32-100-05-S	Hex Nut Assembly (Incl. set screw)
6	KH-32-326-06-S	Breather Hose Kit (Inc. 7)	23	KH-25-599-01-S	Rocker Arm Pivot
7	KH-25-237-31-S	Hose Clamp, ½	24	KH-32-411-04-S	Push Rod
8	KH-32-081-02-S	Breather Housing Kit (Inc. 9 & 10)	25	KH-32-326-07-S	Fuel Pump Hose Kit w/Clamp
9	KH-M-547050-S	Lock Nut, M5 x .8	26	KH-32-050-05-S	Breather Filter
10	KH-32-468-01-S	Sealing Washer	27	KH-32-089-05-S	Valve Spring
11	KH-32-072-03-S	Breather Cover Stud	28	KH-25-086-374-S	Screw, Pan Head
12	KH-32-019-02-S	Tappet	29	KH-25-237-01-S	Hose Clamp
13	KH-32-841-01-S	Cylinder Head Gasket Kit	30	KH-25-096-10-S	Rocker Stamped Steel Cover
14	KH-62-086-08-S	Flg. Screw, M10 x 1.5 x 90	31	KH-25-096-09-S	Rocker Stamped Steel Cover
15	KH-M-645016-S	Flg. Thd. Frm. Screw, M6 x 1.0 x 16	32	KH-25-173-28-S	Valve Spring Cap
16	KH-32-096-04-S	Breather Cvr Kit (Inc. KH-32-041-S)	33	KH-25-445-03-S	Lifting Strap
17	KH-32-318-13-S	#1 Cylinder Head Assembly Kit (Inc. Exhaust Mounting Hardware)	N/A	KH-32-755-03-S	Cylinder Head Hardware Kit (Services 1 Head.) (Inc. 1-5, & 21-25)

Kohler SV730-3044 Oil Pan/Lubrication



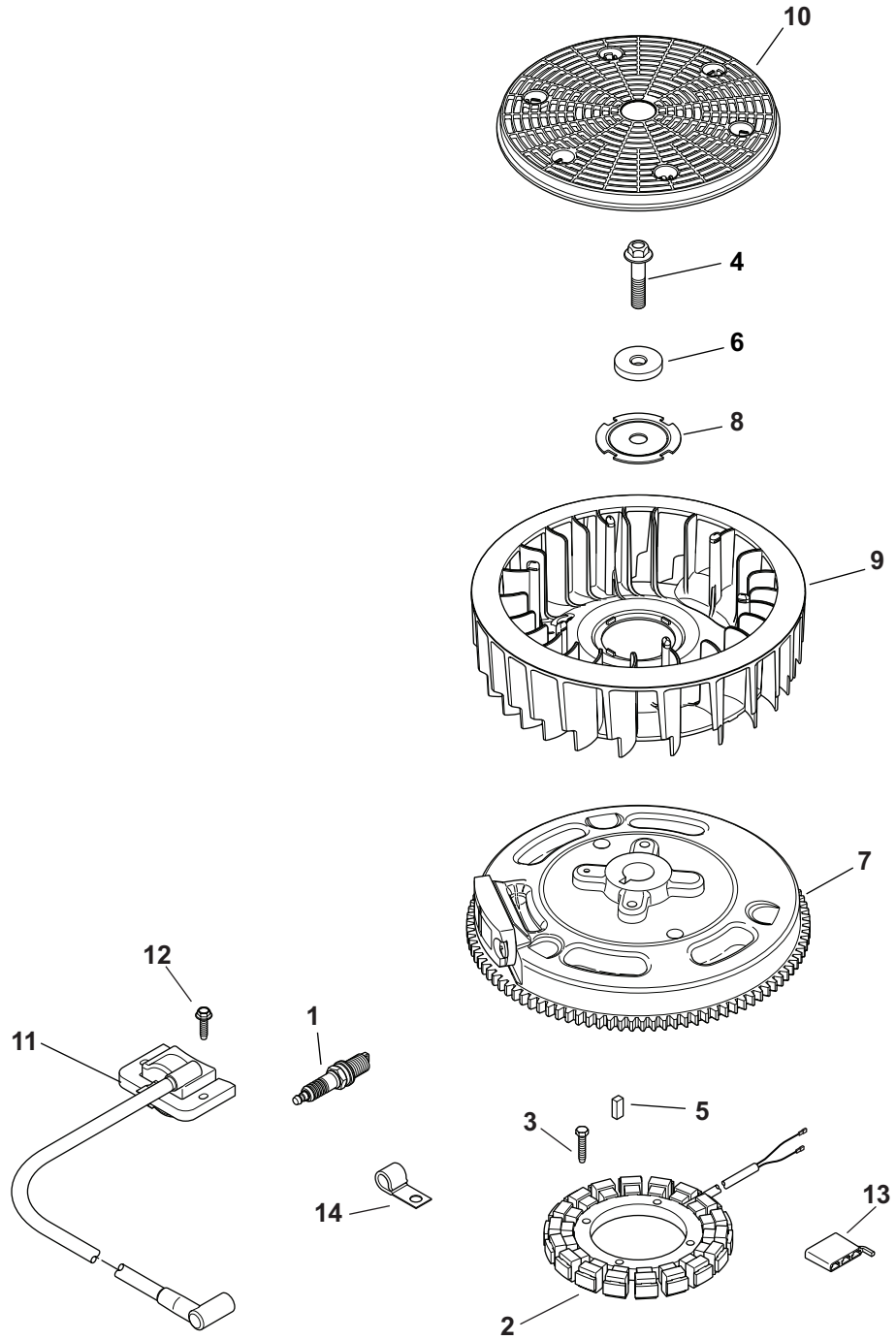
Ref.	Part Number	Description
1	KH-24-086-17-S	Flg. Screw, M8 x 1.25 x 45
2	KH-25-032-06-S	Oil Seal
3	KH-25-139-57-S	Sq. Hd. PipePlug, 3/8"
4	KH-12-144-02	Governor Gear Shaft
5	KH-12-380-01	Governor Regulating Pin
6	KH-24-153-01	Oil Pick-Up O-Ring
7	KH-24-448-02-S	Locking Tab
8	KH-12-050-01-S	Oil Filter
9	KH-32-123-01-S	Oil Feed Tube - Filter To Pan
10	KH-32-123-09-S	Oil Feed Tube Assembly

Ref.	Part Number	Description
11	KH-32-136-05-S	Oil Filter Nipple
12	KH-32-468-02-S	Flat Washer
13	KH-32-123-06-S	Oil Feed Tube
14	KH-32-153-05-S	O-Ring
15	KH-32-086-01-S	Shd. Thd. Frm. Screw, M6 x .0 x 6.5
16	KH-25-139-60-S	Pipe Plug, 1/8"
17	KH-32-310-02-S	Governor Gear Kit (Inc. 5)
18	KH-32-393-16-S	Oil Pump Assembly
19	KH-32-199-14-S	Oil Pan Assembly



Ref.	Part Number	Description
1	KH-M-851080-S	Flg. Screw, M8 X 1.25 X 80
2	KH-32-098-03-S	Starter Assembly
—	KH-12-243-04-S	Brush Assembly
—	KH-12-755-39-S	Kit, Drive with Gear
—	KH-32-211-01-S	Thru Bolt
—	KH-32-227-01-S	End Cap

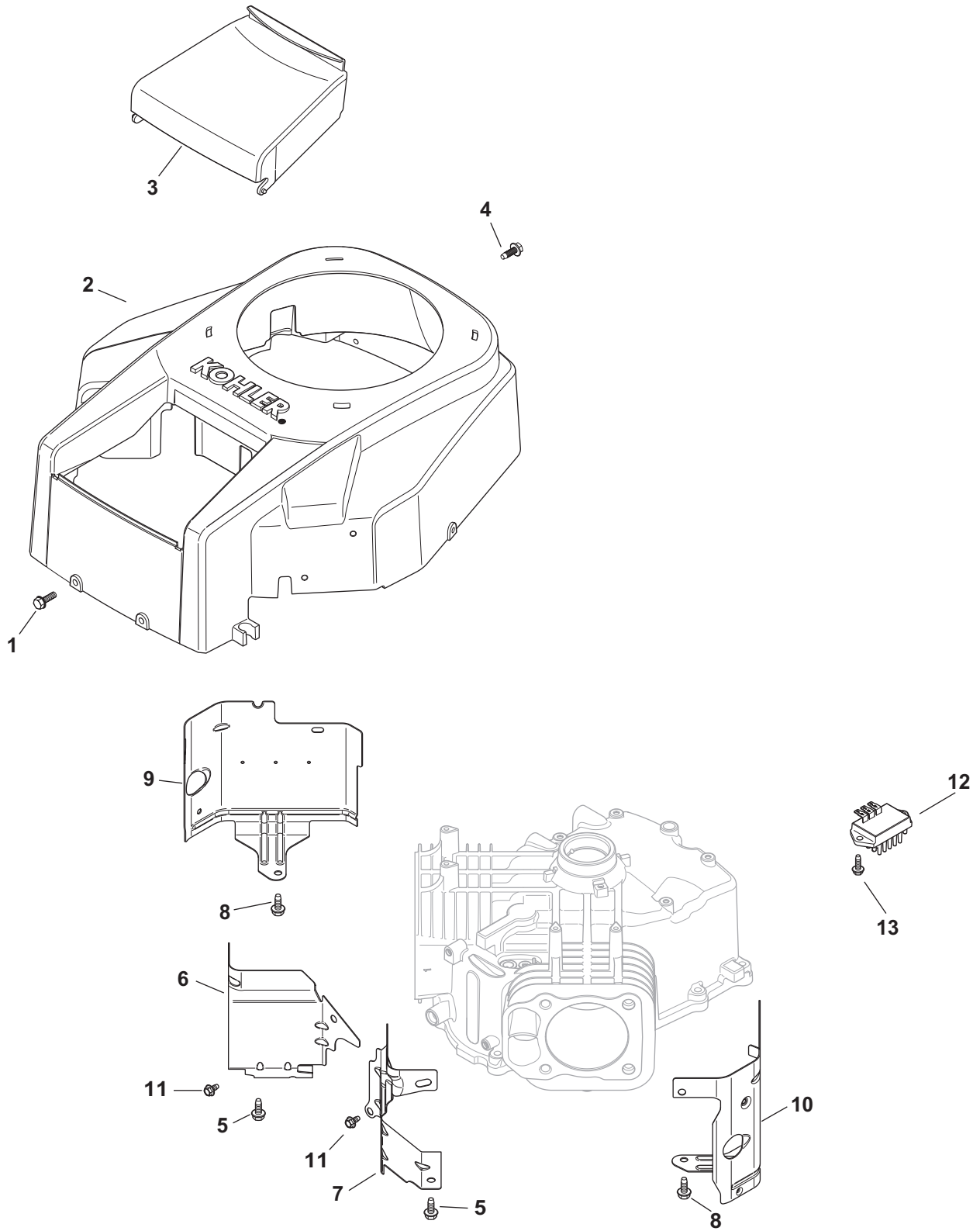
Kohler SV730-3044 Ignition/Electrical



Kohler SV730-3044 Ignition/Electrical

Ref.	Part Number	Description
1	759-3336	Spark Plug
2	KH-28-085-02-S	25 Amp Stator Assy. Kit
3	KH-25-086-162-S	Thd. Frm. Screw, M5 x 0.8 x 30
4	KH-25-086-361-S	Hex Flange Screw
5	KH-25-340-04-S	Square Key
6	KH-25-468-09-S	Flat Washer
7	KH-32-025-16-S	Flywheel Assembly
8	KH-20-146-05-S	Fan Mounting Plate
9	KH-32-157-01-S	Fan
10	KH-32-162-03-S	Grass Screen
11	KH-24-584-45-S	Ignition Module Kit
12	KH-M-545020-S	Flg. Thd. Frm. Screw, M5 x .8 x 20
13	KH-25-155-41-S	Connector
14	KH-47-154-01-S	Cable Clip
N/A	KH-25-454-03-S	Wire Tie
N/A	KH-25-454-05-S	Tie
N/A	KH-32-176-29-S	Wire Harness

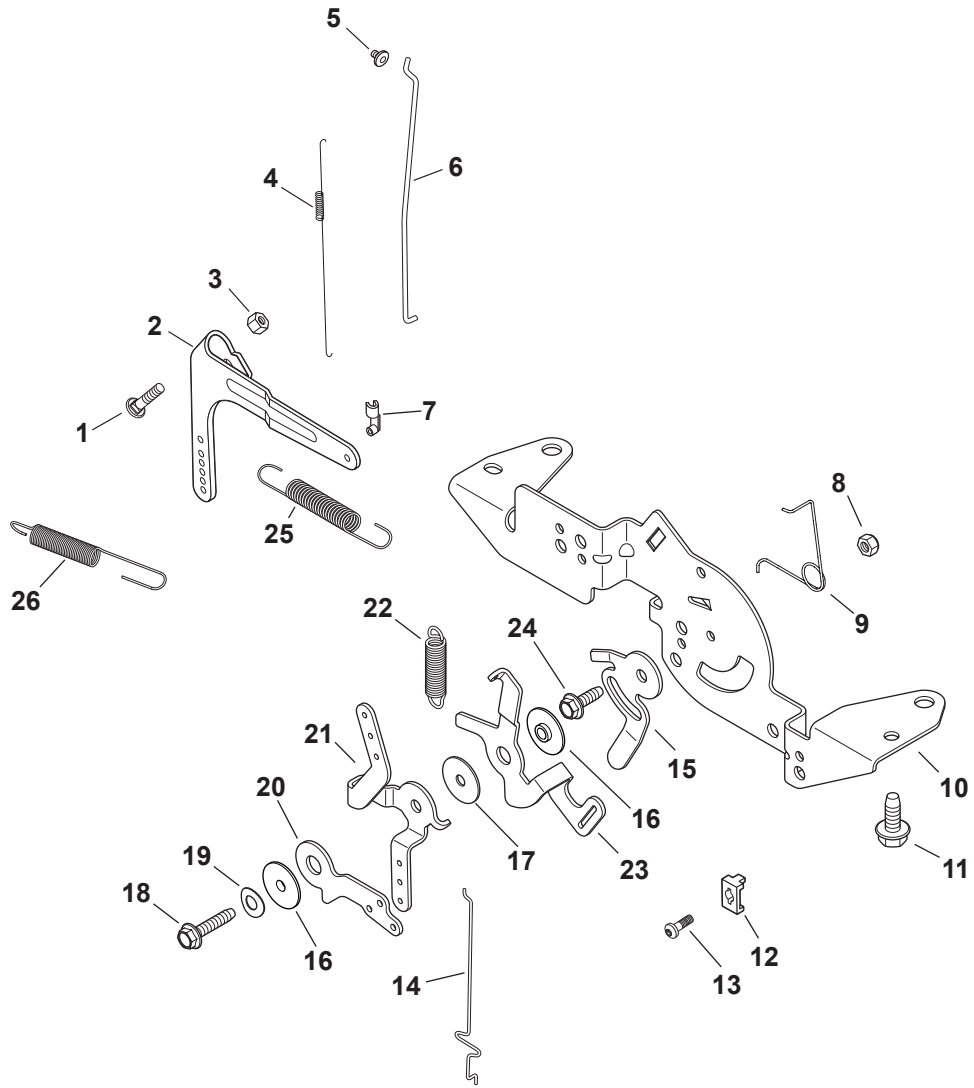
Kohler SV730-3044 Blower Housing & Baffles



Kohler SV730-3044 Blower Housing & Baffles

Ref.	Part Number	Description
1	KH-24-086-12	Tap Screw, M6 x 1.7 x 18
2	KH-32-027-03-S	Housing Blower Kit
3	KH-32-096-08-S	Air Cleaner Cover
4	KH-M-545016-S	Flg. Thd. Frm. Screw, M5 x 0.8 x 16
5	KH-M-645016-S	Flg. Thd. Frm. Screw, M6 x 1.0 x 16
6	KH-24-063-93-S	Valley Baffle - #1 Cylinder
7	KH-24-063-94-S	Valley Baffle - #2 Cylinder
8	KH-25-086-158-S	Flng. Thd. Frm. Screw, M6 x 1.0 x 10
9	KH-32-063-10-S	Cyl Barrel Baffle - #1 Side
10	KH-32-063-12-S	Cyl Barrel Baffle - #2 Side
11	KH-M-545010	Flg. Thd. Frm. Screw, M5 x .8 x 10
12	KH-25-403-21-S	Regulator/Rectifier
13	KH-M-545020-S	Flg. Thd. Frm. Screw, M5 x .8 x 20

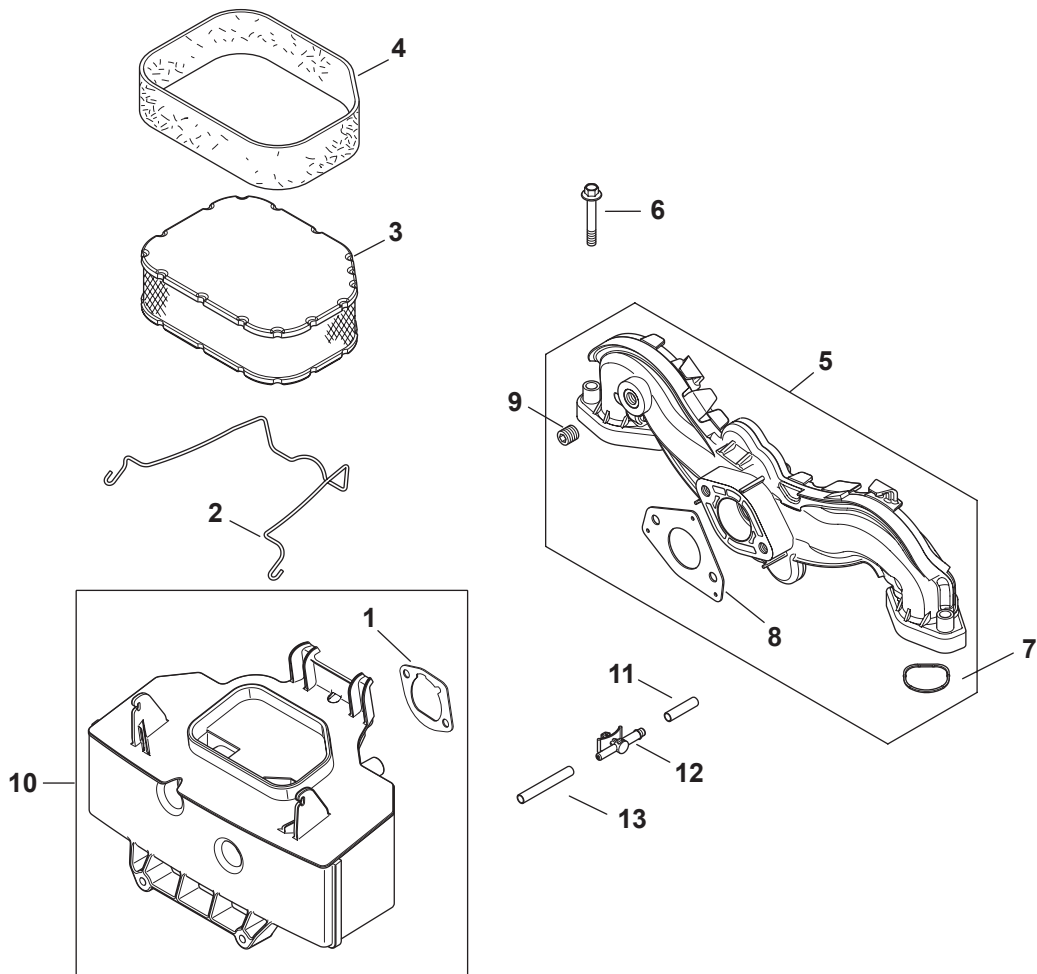
Kohler SV730-3044 Engine Controls



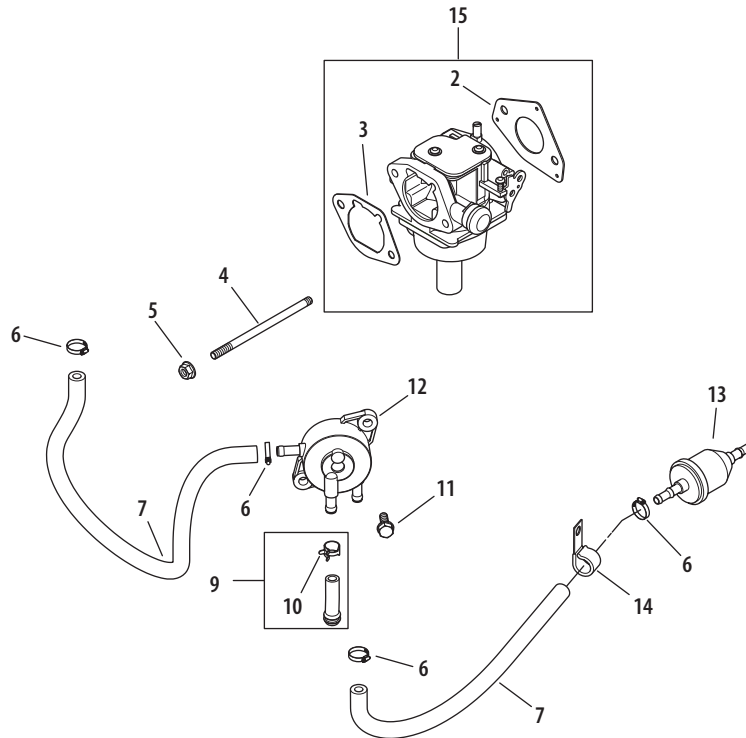
Kohler SV730-3044 Engine Controls

Ref.	Part-Number	Description
1	KH-24-211-03-S	Rd. Hd. Sq. Neck Bolt, M6 x 1.0 x 25
2	KH-24-090-51-S	Governor Lever
3	KH-M-641060-S	Flg. Nut, M6 x 1.0
4	KH-24-089-01	Linkage Spring
5	KH-25-158-08	Linkage Retaining Bushing
6	KH-24-079-04	Throttle Linkage
7	KH-25-158-11	Throttle Linkage Bushing
8	KH-M-547050-S	Lock Nut, M5 x .8
9	KH-24-089-03	Choke Return Spring
10	KH-32-126-04-S	Control Bracket
11	KH-M-645016-S	Flg. Thd. Frm. Screw, M6 x 1.0 x 16
12	KH-12-237-01	Cable Clamp
13	KH-24-086-43-S	Lbd. Thd. Frm. Screw, M5 x 0.8 x 16
14	KH-24-079-22-S	Choke Linkage
15	KH-32-090-09-S	Speed Setting Lever
16	KH-24-112-27-S	Control Assembly Spacer
17	KH-24-468-01	Flat Washer, 5.5MM
18	KH-25-086-151-S	Thd. Frm. Screw, M5 x 0.8 x 25MM
19	KH-41-468-03	Spring Washer, 1/4"
20	KH-32-090-12-S	Choke Lever
21	KH-32-090-08-S	Speed Control Lever
22	KH-32-089-03-S	Speed Control Spring
23	KH-32-090-07-S	Governor Spring Lever
24	KH-M-545016-S	Flg. Thd. Frm. Screw, M5 x 0.8 x 16
25	KH-24-089-55-S	Governor Spring
26	KH-24-089-18	Governor Spring

Kohler SV730-3044 Air Intake/Filtration



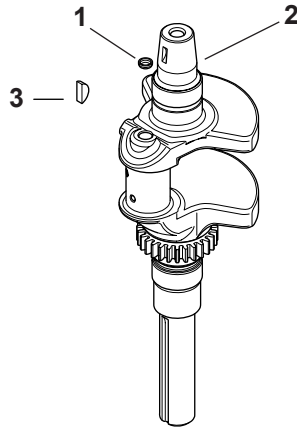
Ref.	Part Number	Description
1	KH-24-041-14	Air Cleaner Base Gasket
2	KH-32-344-02-S	Air Cleaner Element Latch
3	KH-32-883-03-S1	Air Filter Element
4	KH-32-883-03-S1	Pre-Cleaner Element
5	KH-24-164-91-S	Intake Manifold Kit
6	KH-M-651040-S	Flg. Screw, M6 x 1.0 x 40
7	KH-24-153-27-S	O-Ring, Intake Port
8	KH-24-041-52-S	Carburetor Gasket
9	KH-25-139-60-S	Pipe Plug, 1/8"
10	KH-32-094-08-S	Air Cleaner Base
11	KH-25-173-33-S	Masking Cap
12	KH-25-155-51-S	Evaporative Connector
13	KH-25-326-08-S	Evaporative Hose, 20"



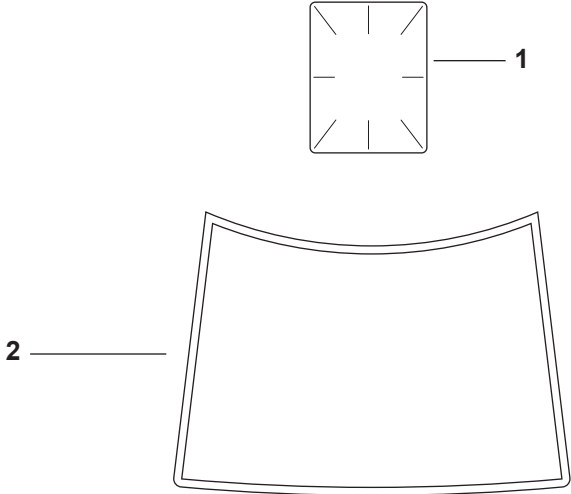
Ref.	Part Number	Description
2	KH-24-041-52-S	Carburetor Gasket
3	KH-24-041-14	Air Cleaner Base Gasket
4	KH-M-629105-S	Stud, M6 X 1.0 X 106
5	KH-M-641060-S	Flg. Nut, M6 X 1.0
6	KH-25-237-31-S	Hose Clamp, 1/2
7	KH-25-111-72-S	Fuel Line
11	KH-24-086-12	Tap Screw, M6 X 1.7 X 18
12	KH-24-393-16	Fuel Pump
13	KH-25-050-22-S1	Fuel Filter

Ref.	Part Number	Description
14	KH-47-154-01-S	Cable Clip
15	KH-32-853-25-S	Carburetor Kit, 19mm (Inc. 2 & 3)
N/A	KH-24-757-36-S	Choke Repair Service Kit (Inc. 2 & 3)
N/A	KH-24-757-38-S	Gasket Repair Service Kit (Inc. 2 & 3)
N/A	KH-24-757-44-S	Float Kit (Inc. 2 & 3)
N/A	KH-24-757-45-S	Solenoid Valve Repair Kit (Inc. 2 & 3)
N/A	KH-24-757-46-S	Repair Overhaul Kit (Inc. 2 & 3)

Kohler SV730-3044 Crankshaft



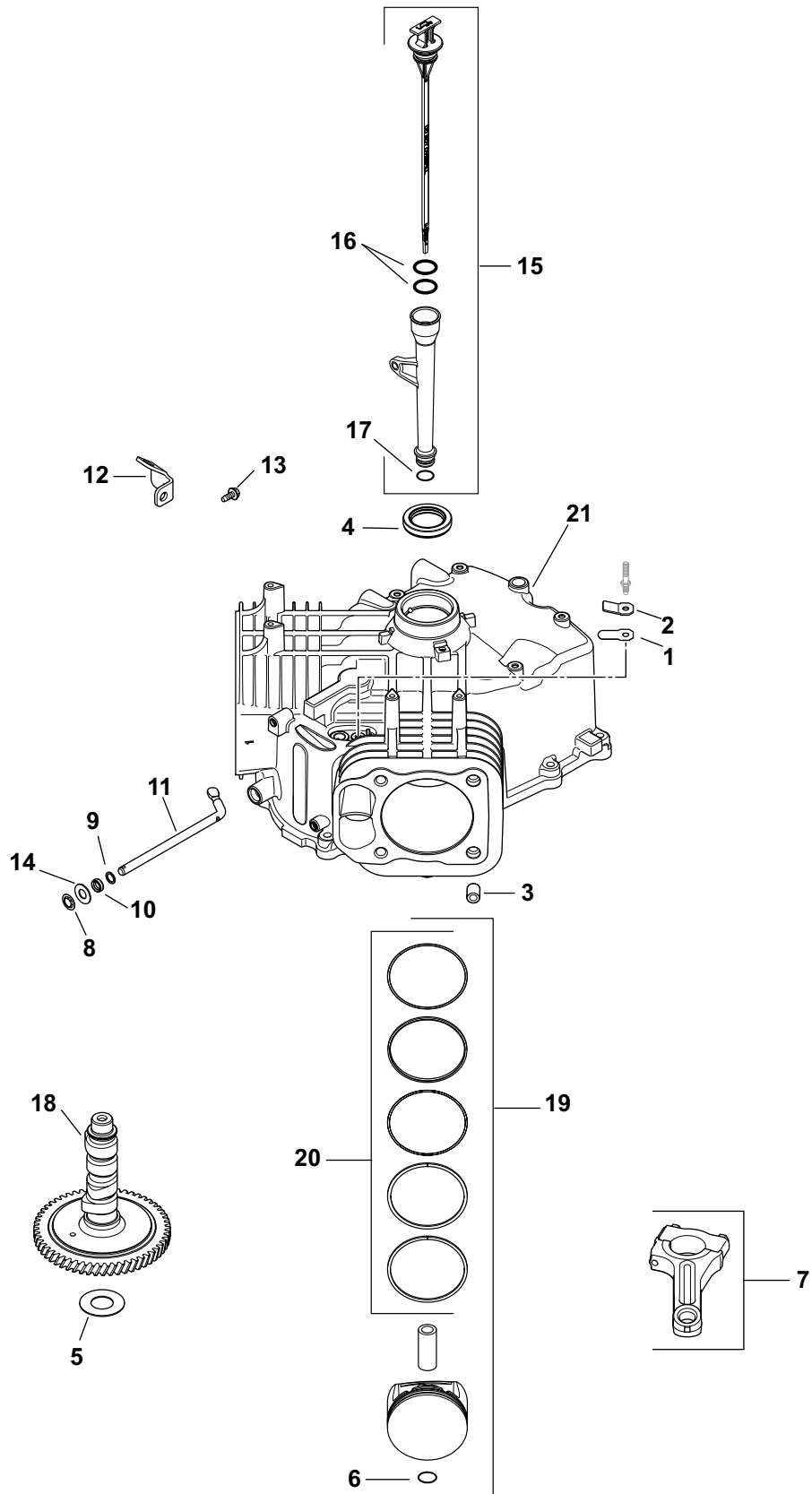
Ref.	Part Number	Description
1	KH-52-139-09-S	Cup Plug
2	KH-32-014-305-S	Crankshaft
3	KH-X-43-1-S	Key, 1/8" x 1/2"



Artwork is representative.
Actual labels may differ depending on model and specification number.

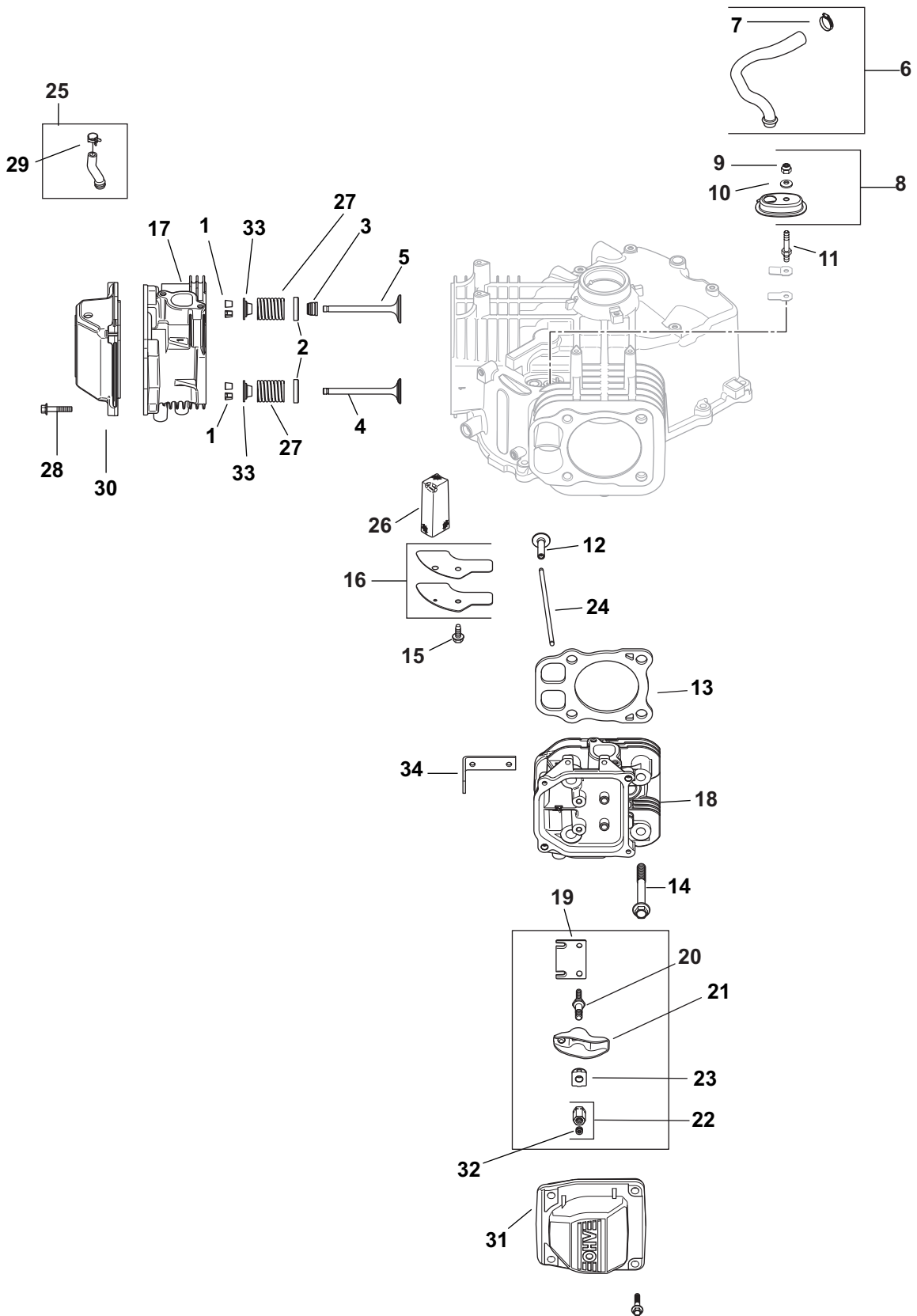
Ref.	Part Number	Description
1	KH-25-113-39-S	Clear Laminate Decal
2	KH-32-113-08-S	25 HP Decal

Kohler SV740-3024 Crankcase



Ref.	Part Number	Description
1	KH-12-402-02	Breather Reed
2	KH-24-018-04-S	Breather Reed Retainer
3	KH-24-380-16-S	Locating Pin
4	KH-24-032-19-S	Oil Seal, 1.78 x 1.26
5	KH-12-422-07-S	Camshaft Shim (White, .028)
—	KH-12-422-08-S	Camshaft Shim (Blue, .03)
—	KH-12-422-09-S	Camshaft Shim (Red, .032)
—	KH-12-422-10-S	Camshaft Shim (Yellow, .034)
—	KH-12-422-11-S	Camshaft Shim (Green, .036)
—	KH-12-422-12-S	Camshaft Shim (Gray, .038)
—	KH-12-422-13-S	Camshaft Shim (Black, .04)
6	KH-24-018-01-S	Piston Pin Retainer
7	KH-24-067-28-S	Connecting Rod (STD)
8	KH-24-018-09-S	Ring Retainer
9	KH-24-468-15-S	Flat Washer, 1 ¹ / ₃₂
10	KH-28-032-09-S	Governor Cross Shaft Seal
11	KH-24-144-38-S	Governor Cross Shaft
12	KH-24-126-19	Oil Fill Tube Bracket
13	KH-M-545013-S	Flange Screw, M5 x .8 x 13
14	KH-M-931010-S	Flat Washer, 9mm
15	KH-32-755-04-S	Dipstick & Tube Kit
16	KH-25-153-09-S	O-Ring
17	KH-12-153-01-S	Lower Oil Fill Tube O-Ring
18	KH-32-010-05-S	Camshaft Assembly
19	KH-32-874-13-S	Piston W/ Ring Kit (STD)
20	KH-32-108-01-S	Ring Set (STD)
21	N/A	Crankcase (Use Short Block)

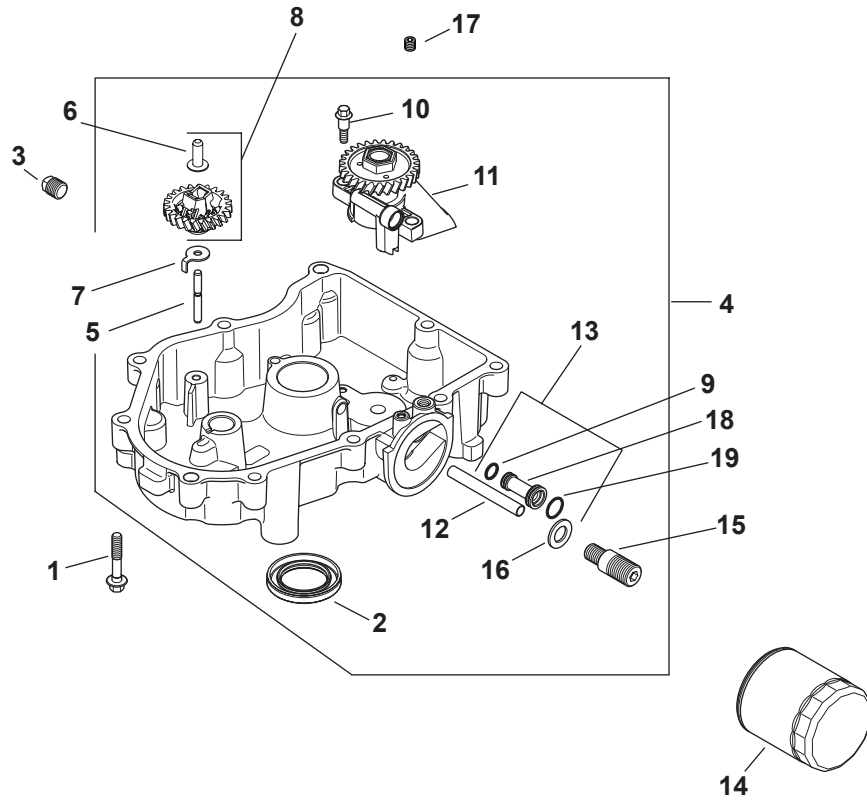
Kohler SV740-3024 Head/Valve/Breather



Kohler SV740-3024 Head/Valve/Breather

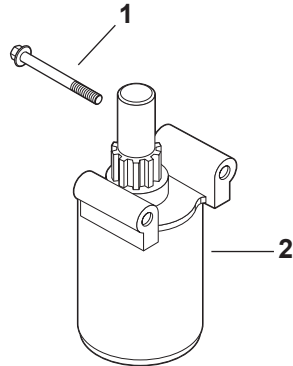
Ref.	Part Number	Description
1	KH-12-755-03	Retainer Kit
2	KH-235011-S	Spring Retainer
3	KH-66-032-05-S	Valve Stem Seal
4	KH-24-016-01	Exhaust Valve (STD)
5	KH-24-017-01	Intake Valve (STD)
6	KH-32-326-06-S	Breather Hose Kit (Inc. #7)
7	KH-25-237-31-S	Hose Clamp, ½
8	KH-32-081-02-S	Housing Breather Kit (Inc. #9 & 10)
9	KH-M-547050-S	Lock Nut, M5 x 8
10	KH-32-468-01-S	Sealing Washer
11	KH-32-072-03-S	Breather Cover Stud
12	KH-32-019-02-S	Tappet
13	KH-32-841-01-S	Cylinder Head Gasket Kit
14	KH-62-086-08-S	Flange Screw, M10 x 1.5 x 90
15	KH-M-645016-S	Flange Screw, M6 x 1.0 x 16
16	KH-32-096-04-S	Breather Cover
17	KH-32-318-13-S	Cylinder Head Assembly Kit, #1 (Inc. Exhaust Mounting Hardware)
18	KH-32-318-14-S	Cylinder Head Assembly Kit, #2 (Inc. Exhaust Mounting Hardware)
19	KH-32-146-09-S	Guide Plate
20	KH-32-072-04-S	Rocker Stud
21	KH-32-186-03-S	Rocker Arm
22	KH-32-100-05-S	Hex Nut Assembly (Inc. #32)
23	KH-25-599-01-S	Rocker Arm Pivot
24	KH-32-411-04-S	Push Rod
25	KH-32-326-07-S	Fuel Pump Hose Kit (Inc. #29)
26	KH-32-050-05-S	Breather Filter
27	KH-32-089-05-S	Valve Spring
28	KH-25-086-374-S	Pan Head Screw
29	KH-25-237-01-S	Hose Clamp
30	KH-25-096-10-S	Rocker Cover
31	KH-25-096-09-S	Rocker Cover
32	KH-25-086-168-S	Set Screw
33	KH-25-173-28-S	Valve Spring Cap
34	KH-25-445-03-S	Lifting Strap
NS	KH-32-755-03-S	Cylinder Head Hardware Kit

Kohler SV740-3024 Oil Pan/Lubrication



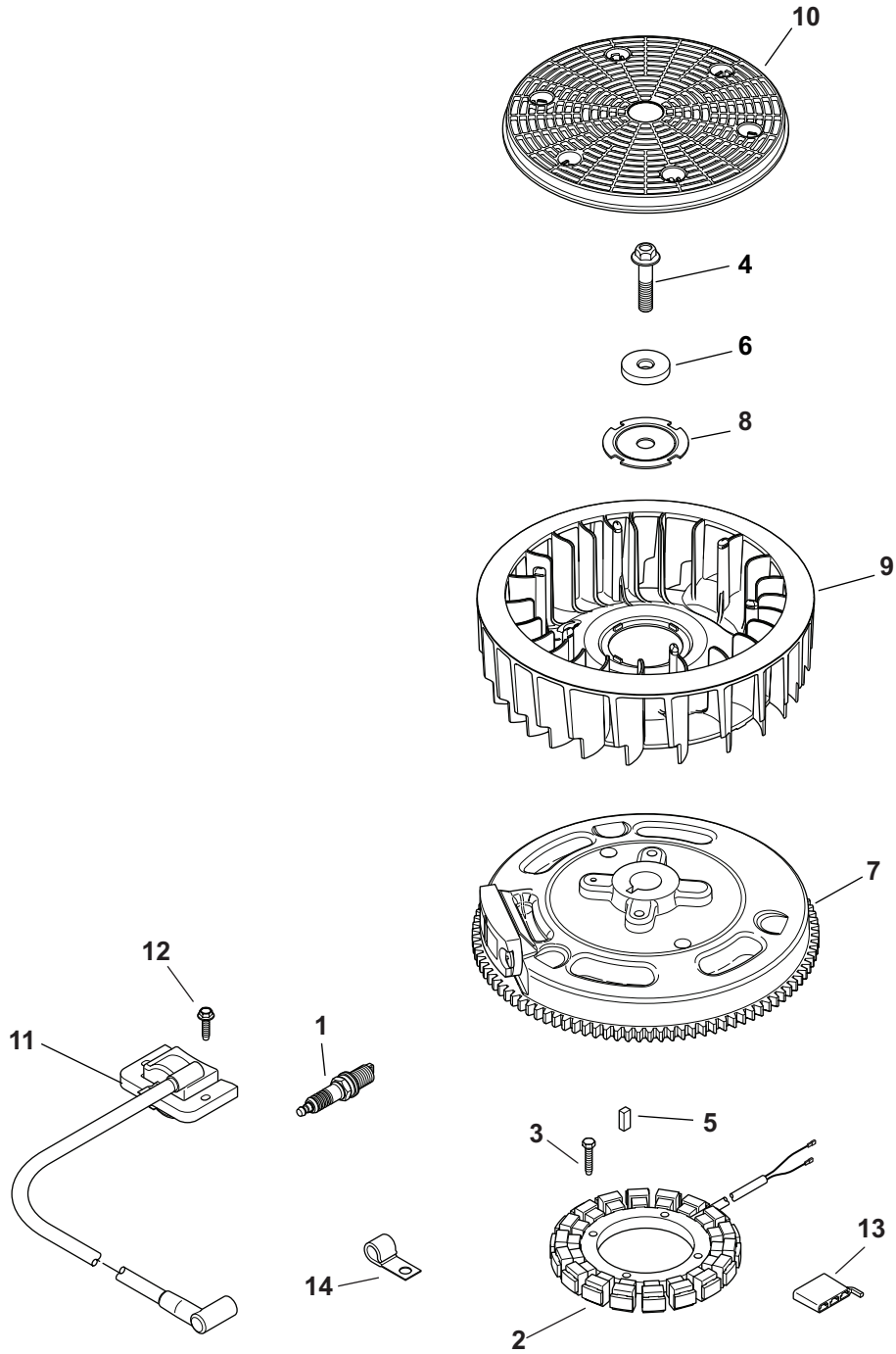
Ref.	Part Number	Description
1	KH-24-086-17-S	Flange Screw, M8 x 1.25 x 45
2	KH-25-032-06-S	Oil Seal, 2.38 x 1.45
3	KH-25-139-57-S	Square Head Pipe Plug, 3/8
4	KH-32-199-14-S	Oil Pan Assembly
5	KH-12-144-02	Governor Gear Shaft
6	KH-12-380-01	Governor Regulating Pin
7	KH-24-448-02-S	Locking Tab
8	KH-32-310-02-S	Governor Gear Kit
9	KH-24-153-01	Oil Pick-Up O-Ring
10	KH-32-086-01-S	Screw

Ref.	Part Number	Description
11	KH-32-393-16-S	Oil Pump Assembly
12	KH-32-123-01-S	Oil Feed Tube (Filter to Oil Pan)
13	KH-32-123-09-S	Oil Feed Tube Assembly
14	KH-12-050-01-S	Oil Filter
15	KH-32-136-05-S	Oil Filter Nipple
16	KH-32-468-02-S	Flat Washer
17	KH-25-139-60-S	Plug, Ctsk. Pipe Plug, 1/8
18	KH-32-123-06-S	Oil Feed Tube
19	KH-32-153-05-S	O-Ring



Ref.	Part Number	Description
1	KH-M-851080-S	Flg. Screw, M8 X 1.25 X 80
2	KH-32-098-03-S	Starter Assembly
—	KH-12-243-04-S	Brush Assembly
—	KH-12-755-39-S	Kit, Drive with Gear
—	KH-32-211-01-S	Thru Bolt
—	KH-32-227-01-S	End Cap

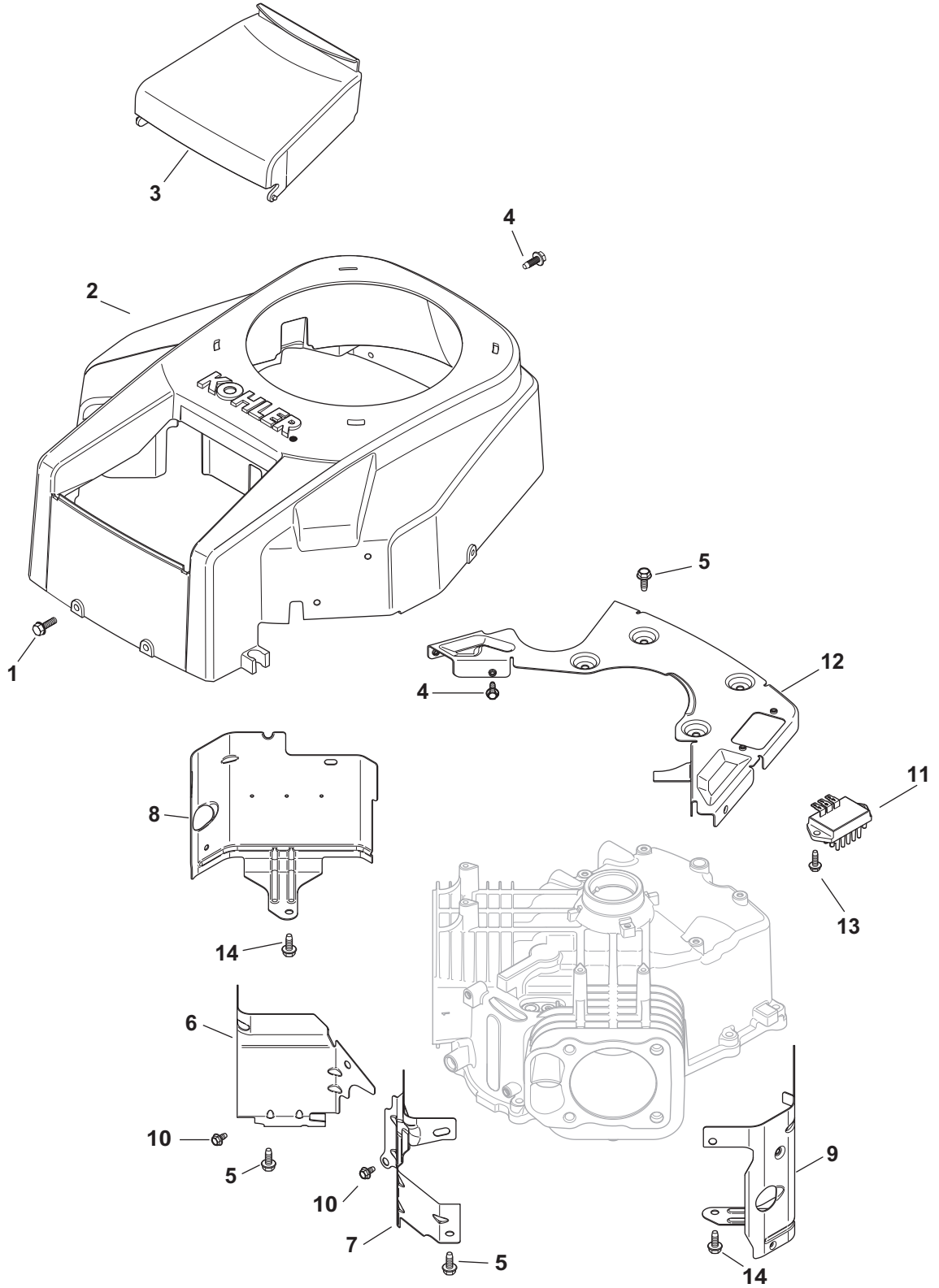
Kohler SV740-3024 Ignition/Electrical



Kohler SV740-3024 Ignition/Electrical

Ref.	Part Number	Description
1	759-3336	Spark Plug
2	KH-28-085-02-S	25 Amp Stator Kit
3	KH-25-086-162-S	Screw, M5 x 0.8 x 30
4	KH-25-086-361-S	Hex Flange Screw
5	KH-25-340-04-S	Square Key
6	KH-25-468-09-S	Flat Washer
7	KH-32-025-15-S	Flywheel Assembly
8	KH-20-146-05-S	Fan Mounting Plate
9	KH-32-157-01-S	Fan
10	KH-32-162-03-S	Grass Screen
11	KH-24-584-63-S	Module Ignition Kit
12	KH-M-545020-S	Screw, M5 x .8 x 20
13	KH-25-155-41-S	Connector
14	KH-47-154-01-S	Cable Clip
N/A	KH-25-454-05-S	Wire Tie
N/A	KH-32-176-28-S	Wiring Harness

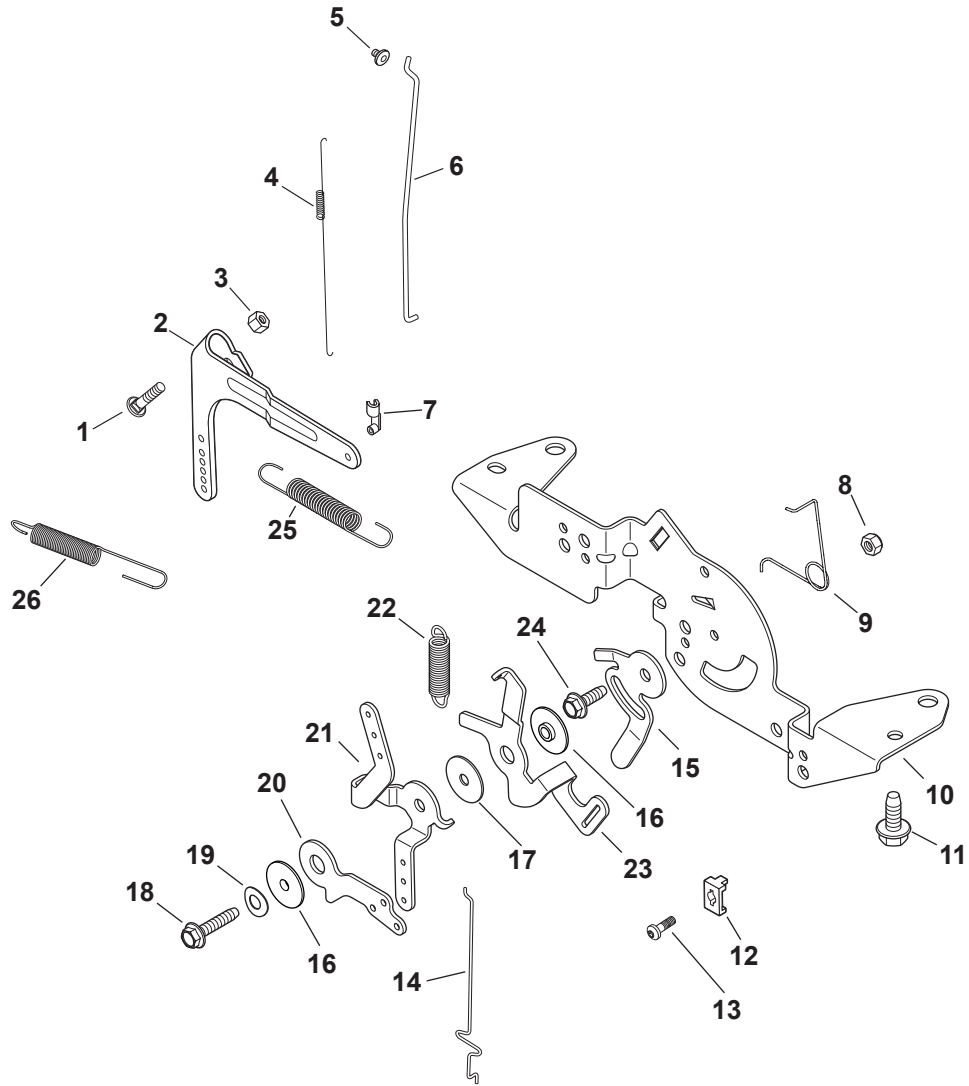
Kohler SV740-3024 Blower Housing & Baffles



Kohler SV740-3024 Blower Housing & Baffles

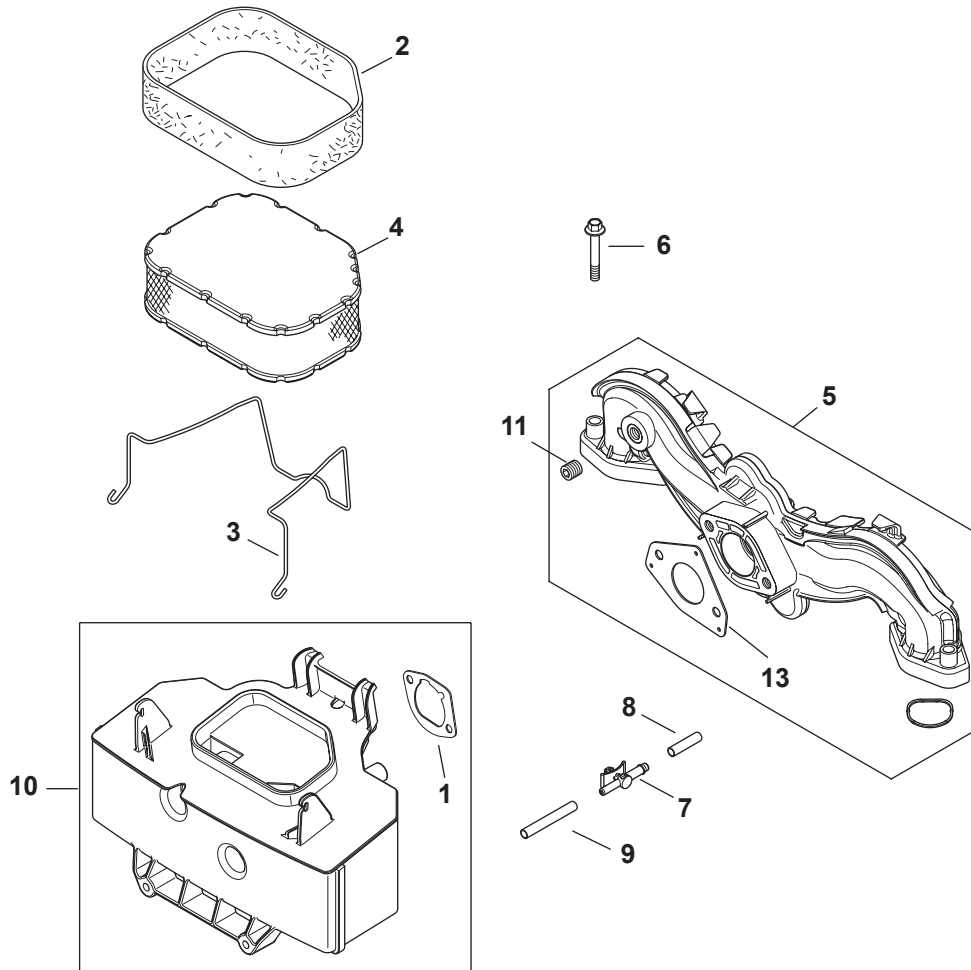
Ref.	Part Number	Description
1	KH-24-086-12	Screw, M6 x 1.7 x 18
2	KH-32-027-03-S	Blower Housing Kit
3	KH-32-096-08-S	Air Cleaner Cover
4	KH-M-545016-S	Flange Screw, M5 x .8 x 16
5	KH-M-645016-S	Flange Screw, M6 x 1.0 x 16
6	KH-24-063-93-S	Valley Baffle, #1 Cylinder
7	KH-24-063-94-S	Valley Baffle, #2 Cylinder
8	KH-32-063-10-S	Cylinder Barrel Baffle, #1 Side
9	KH-32-063-12-S	Cylinder Barrel Baffle, #2 Side
10	KH-M-0545010	Flange Screw, M5 x .8 x 10
11	KH-25-403-21-S	Regulator/Rectifier
12	KH-32-146-05-S	Backing Plate Kit
13	KH-M-545020-S	Screw, M5 x .8 x 20
14	KH-25-086-158-S	Flange Screw, M6 x 1.0 x 10

Kohler SV740-3024 Engine Controls

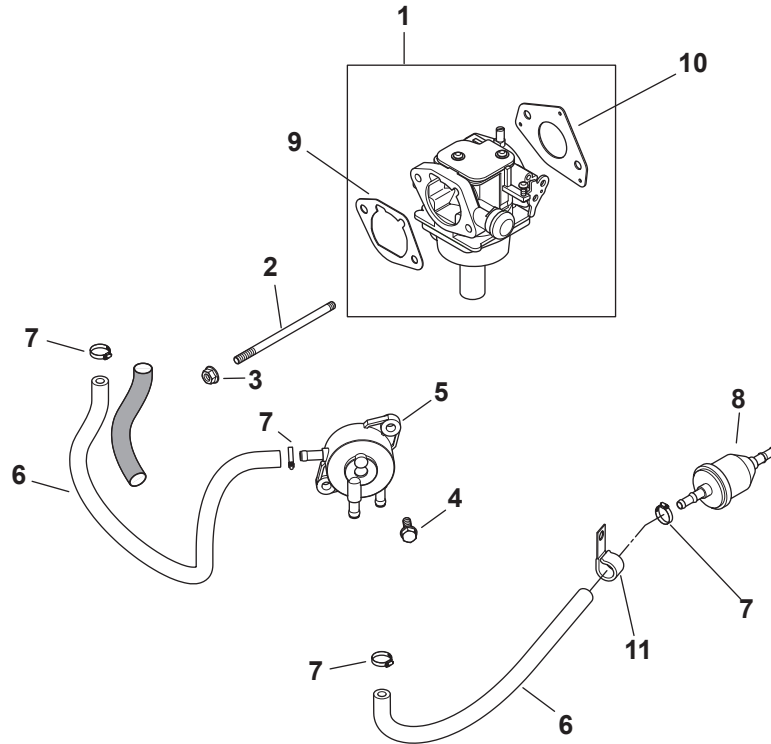


Ref.	Part-Number	Description
1	KH-24-211-03-S	Bolt, M6 x 1.0 x 25
2	KH-24-090-51-S	Governor Lever
3	KH-M-641060-S	Flange Nut, M6 x 1.0
4	KH-24-089-01	Linkage Spring
5	KH-25-158-08	Linkage Retaining Bushing
6	KH-24-079-04	Throttle Linkage
7	KH-25-158-11	Throttle Linkage Bushing
8	KH-M-547050-S	Lock Nut, M5 x .8
9	KH-24-089-03	Choke Return Spring
10	KH-32-126-04-S	Control Bracket
11	KH-M-645016-S	Flange Screw, M6 x 1.0 x 16
12	KH-12-237-01	Cable Clamp
13	KH-24-086-43-S	Screw, M5 x .8 x 16
14	KH-24-079-22-S	Choke Linkage
15	KH-32-090-09-S	Speed Setting Lever
16	KH-24-112-27-S	Control Assembly Spacer
17	KH-24-468-01	Flat Washer, 5.5mm
18	KH-25-086-151-S	Screw, M5 x .8 x 25mm
19	KH-41-468-03	Spring Washer, ¼
20	KH-32-090-12-S	Choke Lever
21	KH-32-090-08-S	Speed Control Lever
22	KH-32-089-03-S	Speed Control Spring
23	KH-32-090-07-S	Governor Spring Lever
24	KH-M-545016-S	Flange Screw, M5 x .8 x 16
25	KH-24-089-55-S	Governor Spring
26	KH-24-089-18	Governor Spring

Kohler SV740-3024 Air Intake/Filtration

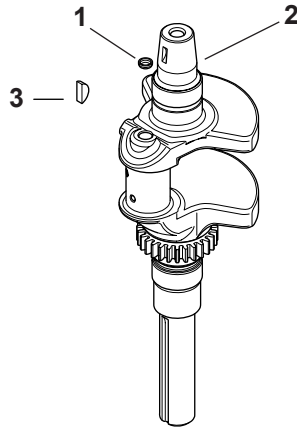


Ref.	Part Number	Description
1	KH-24-041-14	Air Cleaner Base Gasket
2	KH-32-883-03-S1	Pre-Cleaner Element
3	KH-32-344-02-S	Air Cleaner Element Latch
4	KH-32-883-03-S1	Air Filter Element
5	KH-24-164-91-S	Intake Manifold Kit
6	KH-M-651040-S	Flange Screw, M6 x 1.0 x 40
7	KH-25-155-51-S	Evaporative Connector
8	KH-25-173-33-S	Evaporative Mask
9	KH-25-326-08-S	Evaporative Hose, 20"
10	KH-32-094-08-S	Air Cleaner Base
11	KH-25-139-60-S	Pipe Plug, 1/8
12	KH-24-041-52-S	Carburetor Gasket
13	KH-24-153-27-S	Intake Port O-Ring

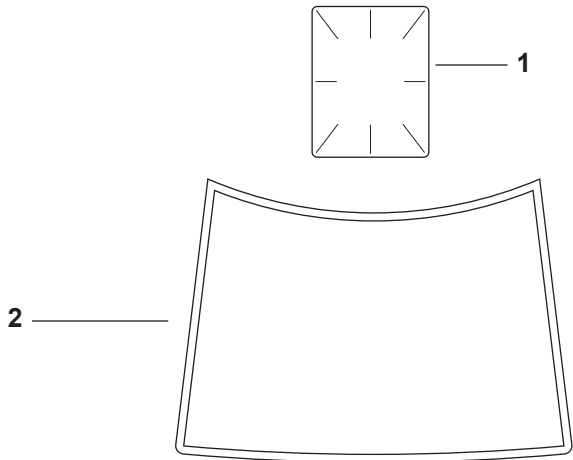


Ref.	Part-Number	Description
1	KH-32-853-25-S	Carburetor Kit
2	KH-M-629105-S	Stud, M6 x 1.0 x 106
3	KH-M-641060-S	Flange Nut, M6 x 1.0
4	KH-24-086-12	Tap Screw, M6 x 1.7 x 18
5	KH-24-393-16	Fuel Pump
6	KH-25-111-72-S	Fuel Line
7	KH-25-237-31-S	Hose Clamp, 1/2
8	KH-25-050-22-S1	Fuel Filter
9	KH-24-041-14	Air Cleaner Base Gasket
10	KH-24-041-52-S	Carburetor Gasket
11	KH-47-154-01-S	Cable Clip

Kohler SV740-3024 Crankshaft



Ref.	Part Number	Description
1	KH-52-139-09-S	Cup Plug
2	KH-32-014-305-S	Crankshaft
3	KH-X-43-1-S	Key, 1/8" x 1/2"



Artwork is representative.
Actual labels may differ depending on model and specification number.

Ref.	Part Number	Description
1	KH-25-113-39-S	Clear Laminate Decal
2	KH-32-113-09-S	Decal, 27 HP

Notes



To order replacement parts, call a Customer Support Representative at (800) 965-4CUB.
Locate your nearest Cub Cadet dealer at (877) 282-8684
or visit www.cubcadet.com to find the nearest Cub Cadet dealer in your area.

CUB CADET LLC, P.O. BOX 361131 CLEVELAND, OHIO 44136-0019

Free Manuals Download Website

<http://myh66.com>

<http://usermanuals.us>

<http://www.somanuals.com>

<http://www.4manuals.cc>

<http://www.manual-lib.com>

<http://www.404manual.com>

<http://www.luxmanual.com>

<http://aubethermostatmanual.com>

Golf course search by state

<http://golfingnear.com>

Email search by domain

<http://emailbydomain.com>

Auto manuals search

<http://auto.somanuals.com>

TV manuals search

<http://tv.somanuals.com>