

Dell™ 5130cdn Color Laser Printer User's Guide

Before Beginning

[Dell™ 5130cdn Color Laser Printer User's Guide](#)

[Finding Information](#)

[About the Printer](#)

Setting Up the Printer (Printer Setup)

[Prepare Printer Hardware](#)

[Install Optional Accessories \(if applicable\)](#)

[Connect Printer to Computer or Network](#)

[Perform Initial Settings](#)

[Install Printer Drivers on the Windows Computers](#)

[Install the PPD File on Macintosh Computers](#)

Using Your Printer

[Dell Printer Configuration Web Tool](#)

[Print Media Guidelines](#)

[Loading Print Media](#)

[Operator Panel](#)

[Printing](#)

Know Your Printer

[Printer Settings](#)

[Understanding the Tool Box Menus](#)

[Understanding the Printer Menus](#)

[Understanding Your Printer Software](#)

[Printing Using ColorTrack \(External Authentication\)](#)

[Using Digital Certificates](#)

[Understanding Fonts](#)

[Understanding Printer Messages](#)

[Printing With Web Services on Devices \(WSD\)](#)

[Printing With UX Filter \(UNIX\)](#)

[Printing With CUPS \(Linux\)](#)

[Printer Specifications](#)

Maintaining Your Printer

[Maintaining Your Printer](#)

[Removing Options](#)

[Clearing Jams](#)

Troubleshooting

[Troubleshooting](#)

Appendix

[Appendix](#)

Notes, Notices, and Cautions



NOTE: A **NOTE** indicates important information that helps you make better use of your printer.



NOTICE: A **NOTICE** indicates either potential damage to hardware or loss of data and tells you how to avoid the problem.



CAUTION: A **CAUTION** indicates a potential for property damage, personal injury, or death.

Information in this document is subject to change without notice.

© 2009 Dell Inc. All rights reserved.

Reproduction of these materials in any manner whatsoever without the written permission of Dell Inc. is strictly forbidden.

Trademarks used in this text: *Dell* and the *DELL* logo are trademarks of Dell Inc.; *Microsoft*, *Windows*, *Windows Server*, *Windows Vista*, and *Active Directory* are either trademarks or registered trademarks of Microsoft Corporation in the United States and/or other countries; *MAC OS* is a registered trademark of Apple Inc.; Adobe is either a registered trademark or a trademark of Adobe Systems Incorporated in the United States and/or other countries; Wi-Fi is a registered trademarks of the Wi-Fi Alliance.

Other trademarks and trade names may be used in this document to refer to either the entities claiming the marks and names or their products. Dell Inc. disclaims any proprietary interest in trademarks and trade names other than its own.

Our printer software uses some of the codes defined by the Independent JPEG Group.

As for RSA BSAFE



RSA BSAFE software, produced by RSA Security Inc., has been installed on this printer.

UNITED STATES GOVERNMENT RESTRICTED RIGHTS

This software and documentation are provided with RESTRICTED RIGHTS. Use, duplication, or disclosure by the Government is subject to restrictions as set forth in subparagraph (c)(1)(ii) of the Rights in Technical Data and Computer Software clause at DFARS 252.227-7013 and in applicable FAR provisions: Dell Inc., One Dell Way, Round Rock, Texas, 78682, USA.

November 2009 Rev. A01

Dell™ 5130cdn Color Laser Printer User's Guide

Click the links to the left for information on the features, options, and operation of your printer. For information on other documentation included with your printer, see "[Finding Information](#)."


To order replacement toner cartridges or supplies from Dell:

1. Double-click the icon on your desktop.



If you cannot find the icon on your desktop, follow the procedure below.

- a. Click **DLRMM.EXE** from "C:\Program Files\Dell Printers\Additional Color Laser Software\Reorder".

 **NOTE:** "C:\Program Files\" may be different depending on the destination of the folder which you installed the Dell software and documentation.


- b. Click **File** on the toolbar, and click **Create Shortcut** on the drop-down menu that appears.
- c. Right-click on the shortcut icon that is created.
- d. Choose **Send To** from the drop-down menu, and then click **Desktop (create shortcut)** on the submenu that appears.

2. Visit the Dell Printer Supplies website at www.dell.com/supplies, or order Dell printer supplies by phone.

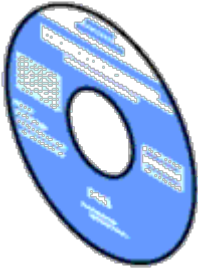
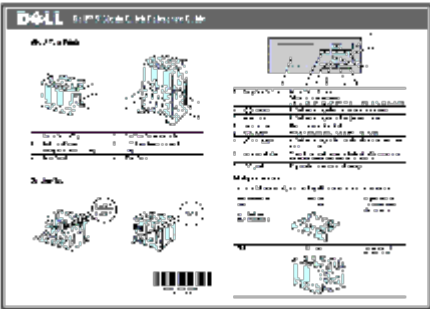
For best service, have your Dell printer Service Tag available.

For help locating your Service Tag, see "[Express Service Code and Service Tag](#)."

Finding Information

 **NOTE:** The following are options you can buy separately.

- USB cable
- Ethernet cable
- Parallel cable
- Wireless adapter
- 550-sheet feeder
- 1100-sheet feeder
- Hard disk
- Upgradable Memory Module
- Output Expander

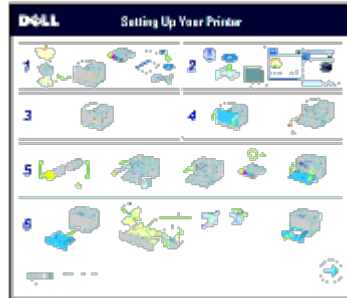
What are you looking for?	Find it here
<ul style="list-style-type: none"> • Drivers for my printer • My <i>User's Guide</i> 	<p><i>Drivers and Utilities CD</i></p>  <p>The <i>Drivers and Utilities CD</i> contains Setup Video, Maintenance Video, documentation, and drivers for your printer. You can use the CD to uninstall/reinstall drivers or access the Setup Video and documentation.</p> <p>Readme files may be included on your CD to provide last-minute updates about technical changes to your printer or advanced technical reference material for experienced users or technicians.</p>
<ul style="list-style-type: none"> • How to use my printer 	<p><i>Quick Reference Guide</i></p> 
<ul style="list-style-type: none"> • Safety information • Warranty information 	<p><i>Product Information Guide</i></p>



CAUTION: Read and follow all safety instructions in your *Product Information Guide* prior to setting up and operating your printer.

Setup diagram

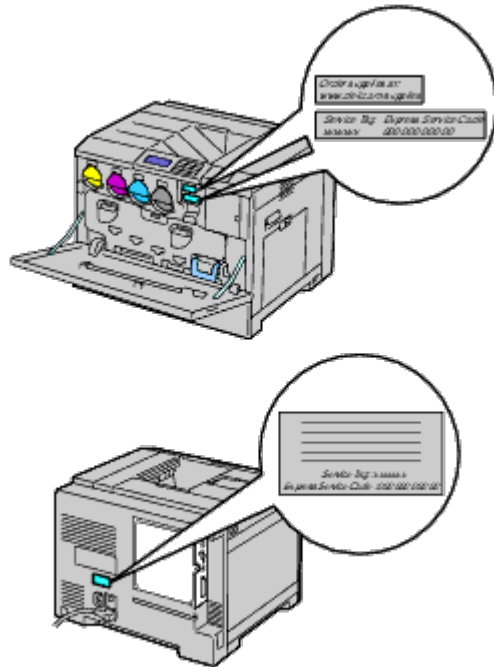
How to set up my printer



Troubleshooting

["Troubleshooting"](#)

Express Service Code and Service Tag



The Express Service Code and Service Tag are located on the right side of the toner cartridge inside the front cover and on the rear cover of your printer.

- Latest drivers for my printer
- Answers to technical service and support questions
- Documentation for my printer

See the Dell Support website at support.dell.com

The Dell Support website, support.dell.com, provides several online tools, including:

- Solutions - Troubleshooting hints and tips, articles from technicians, and online courses
- Upgrades - Upgrade information for components, such as printer driver
- Customer Care - Contact information, order status, warranty, and repair information
- Downloads - Drivers
- Manuals - Printer documentation and product specifications

You can access the Dell Support website at support.dell.com. Select your region on the support page, and fill in the requested details to access help tools and information.

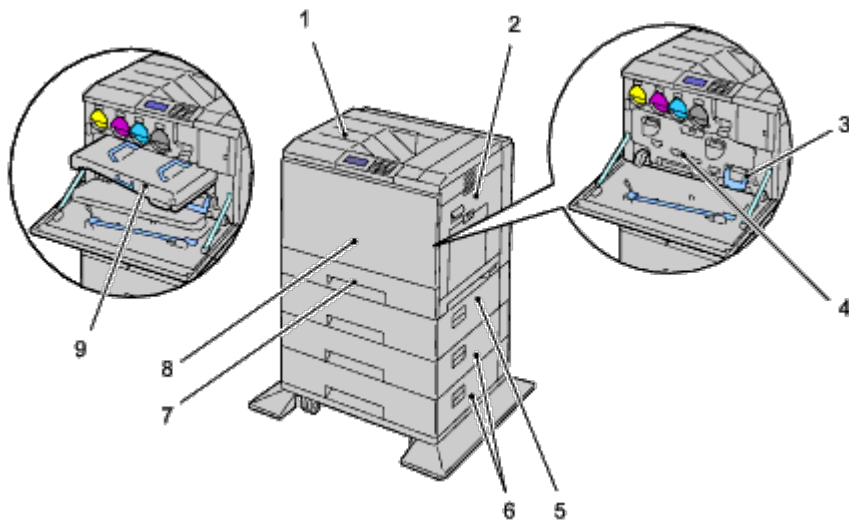
About the Printer

- [Front, Side, and Back View](#)
- [Operator Panel](#)
- [Securing the Printer](#)
- [Ordering Supplies](#)

The following illustrations show the standard Dell™ 5130cdn Color Laser Printer and some optional accessories.

Front, Side, and Back View

Front View



1	Center Output Tray	2	Right Hand Cover
3	Waste Toner Box	4	Inner Cover
5	550-Sheet Feeder (optional)	6	1100-Sheet Feeder (optional)
7	Tray 1	8	Front Cover
9	Belt Unit		

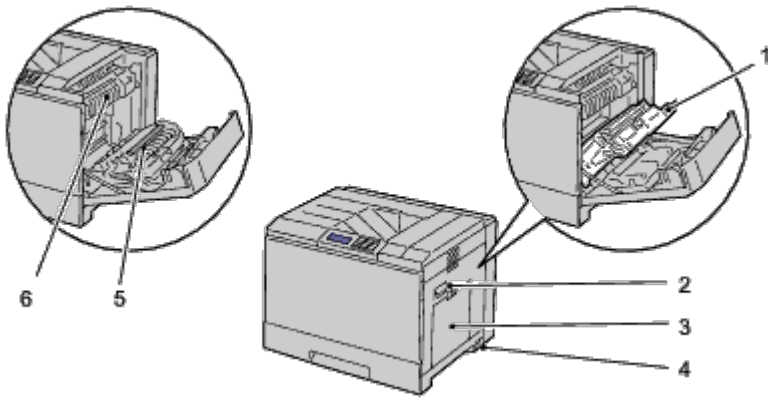
NOTE: Your printer allows for a maximum of 6 trays (Tray 1, two 550-sheet feeders, 1100-sheet feeder, and MPF).

NOTE: The following combinations of trays are available:

- Tray 1
- Tray 1 + 550-sheet feeder x 1
- Tray 1 + 550-sheet feeder x 2
- Tray 1 + 550-sheet feeder x 1 + 1100-sheet feeder
- Tray 1 + 550-sheet feeder x 2 + 1100-sheet feeder
- Tray 1 + 1100-sheet feeder

However, you cannot combine two 1100-sheet feeders.

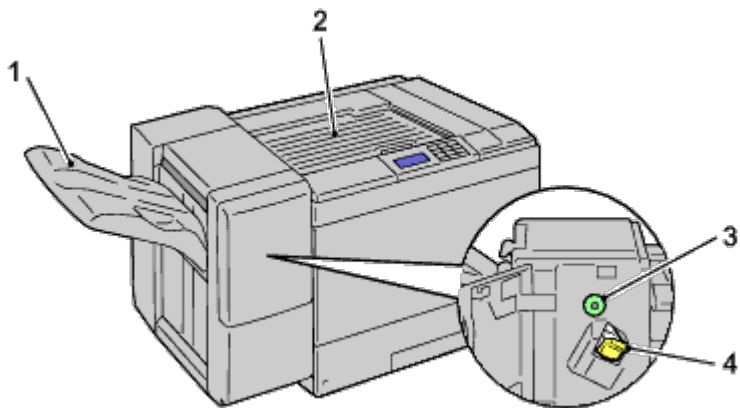
Right View



1	Duplexer	2	Right Hand Cover Handle
3	Multipurpose Feeder (MPF)	4	Power Switch
5	Transfer Roller	6	Fuser

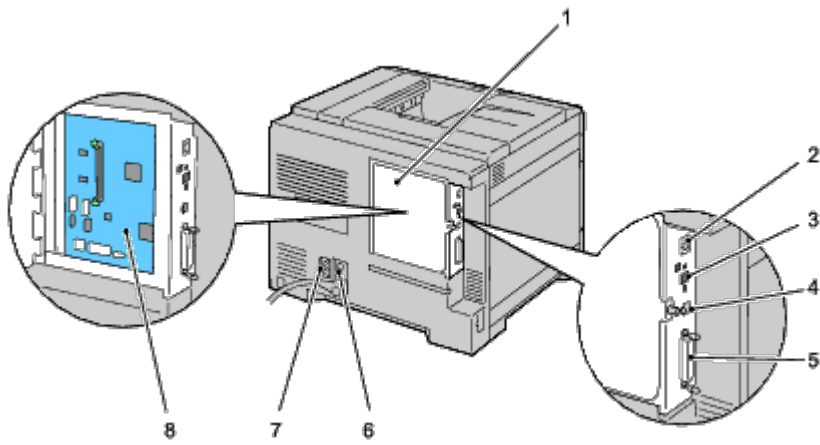
Left View

Output Expander (optional)

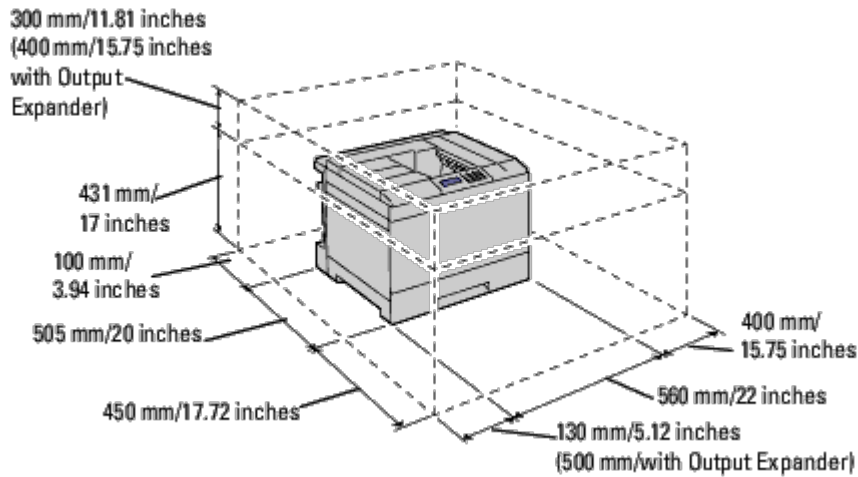


1	Stacker Tray	2	H Transport Unit
3	Knob	4	Stapler Cartridge

Rear View



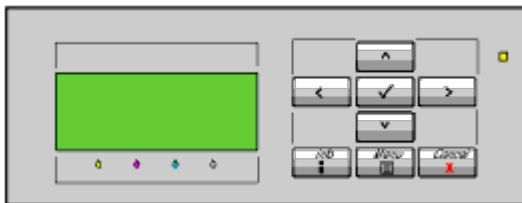
1	Control Board Cover	2	Ethernet Port
3	Wireless Adapter Socket	4	USB Port
5	Parallel Port	6	Power Connector for Main Unit
7	Power Connector for Output Expander	8	Control Board



NOTE: When you use the printer with the MPF opened, do not locate the printer in direct sunlight. Doing so may cause a malfunction or unnatural screen image.

Provide enough room to open the printer tray, covers, and option. It is also important to allow space around the printer for proper ventilation.

Operator Panel

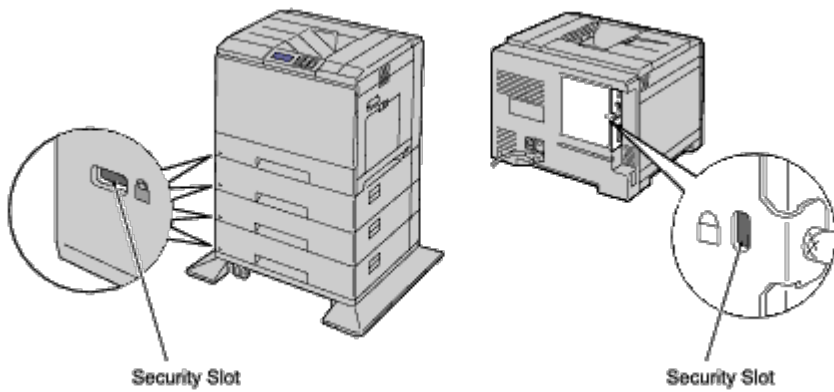


For details on the operator panel, see "[Operator Panel](#)."

Securing the Printer

To protect your printer from theft, you can use the optional Kensington lock.

Attach the Kensington lock to the security slot of your printer.



For details, see the operating instructions supplied with the Kensington lock.

Ordering Supplies

You can order consumables from Dell on the Internet when using a networked printer. Enter the IP address of your printer in your web browser, launch the **Dell Printer Configuration Web Tool**, and click the **Order Supplies at:** to order toner for your printer.

You can also order toner cartridges by the following method:

1. Click **start** ® **All Programs** ® **Dell Printers** ® **Additional Color Laser Software** ® **Dell Supplies Management System**.

The **Dell Supplies Management System** window appears.

2. Select your printer from the **Select Printer Model** list.
3. If ordering from the Web:
 - a. When you cannot get information from the printer automatically by two-way communication, a window that prompts you to type the Service Tag appears. Type your Dell printer Service Tag in the field provided.

Your Service Tag is located inside the front cover of your printer.

- b. Select a URL from the **Select Reorder URL** list.
- c. Click **Visit Dell printer supplies ordering web site**.

If ordering by phone, call the number that appears under the **Order by Phone** heading.

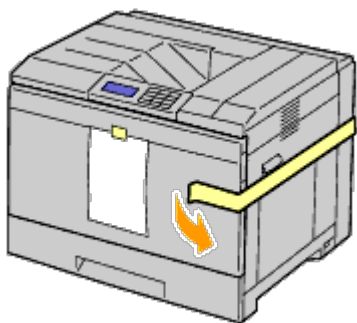
[Back to Contents Page](#)

Prepare Printer Hardware

- [Removing Tape](#)
 - [Removing the Drum Ribbons](#)
 - [Installing the Toner Cartridges](#)
 - [Loading Paper](#)
-

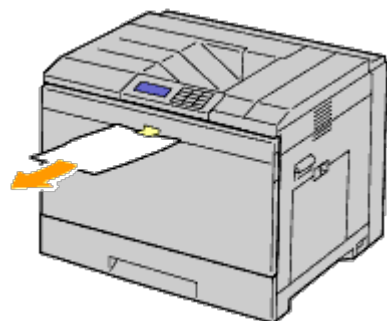
Removing Tape

1. Remove the tape from the printer.



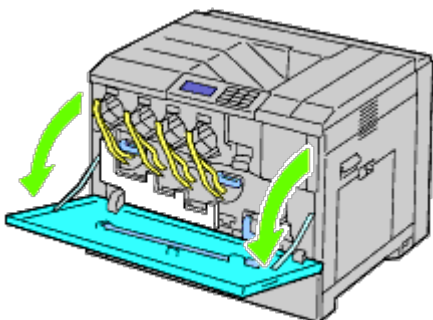
2. Remove the instruction sheet from the printer.

Refer to this sheet for setting up the drums and the toner cartridges.

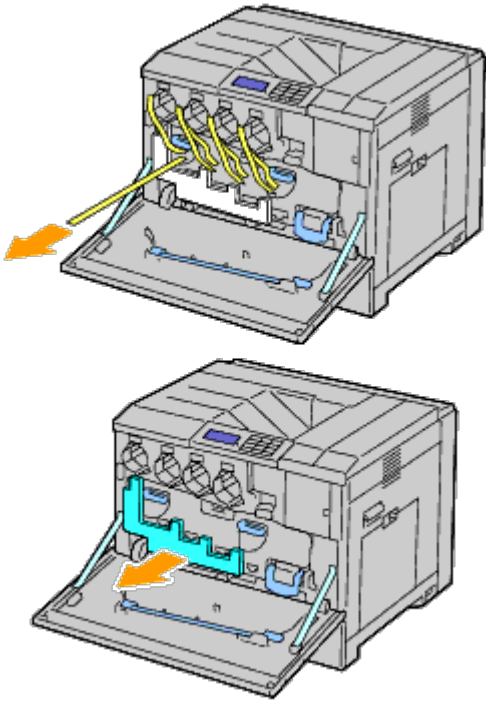


Removing the Drum Ribbons

1. Open the front cover.



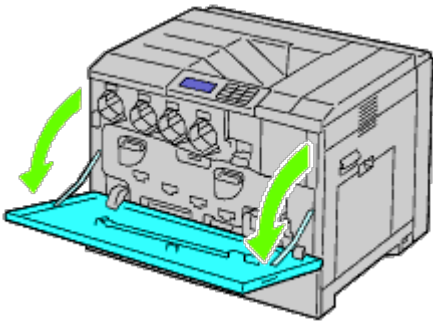
2. Pull out the ribbons (8), then remove the packaging material from the front of the printer.



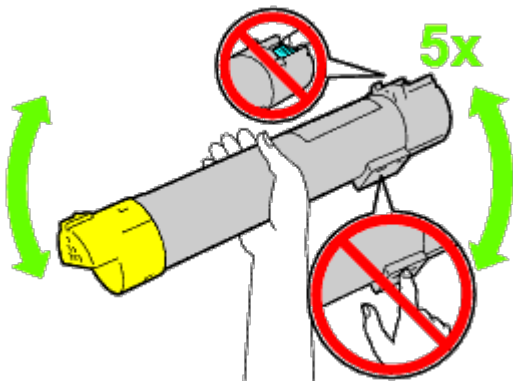
Installing the Toner Cartridges


⚠ CAUTION: Before performing any of the following procedures, read and follow the safety instructions in your *Product Information Guide*.

1. Open the front cover.

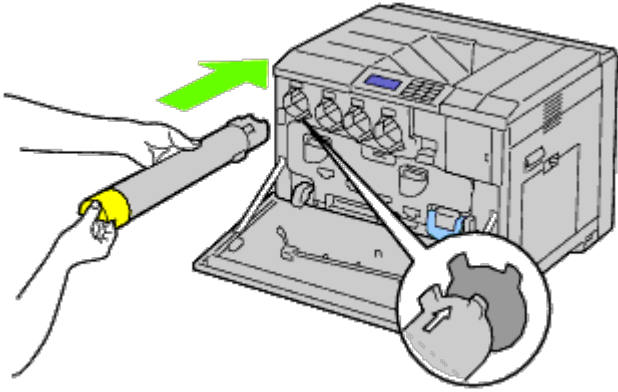


2. Ready the toner cartridges for installation.
3. Shake the yellow cartridge 5 to 6 times to distribute the toner evenly.

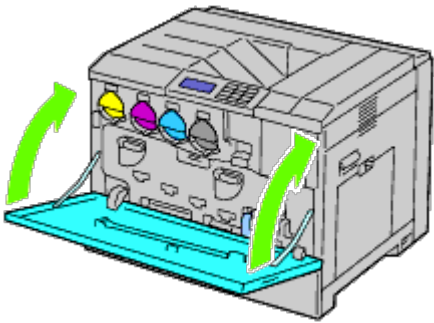


 **NOTE:** Do not touch the area shown in the illustration when you shake the cartridge.


4. Align the arrow on the cartridge with the arrow on the printer, and slide in the cartridge until it stops.




5. Repeat [Step 2](#) to [Step 4](#) to install magenta, cyan, and black cartridges.
6. Close the front cover.



Loading Paper

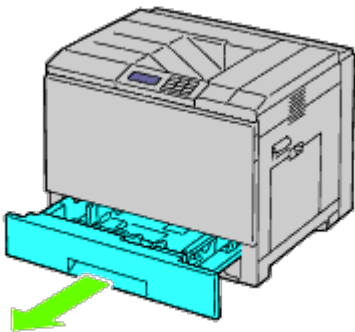
 **NOTE:** To avoid paper jams, do not remove the tray while a printing is in progress.

 **NOTE:** Use only laser print media. Do not use ink jet paper in this printer.

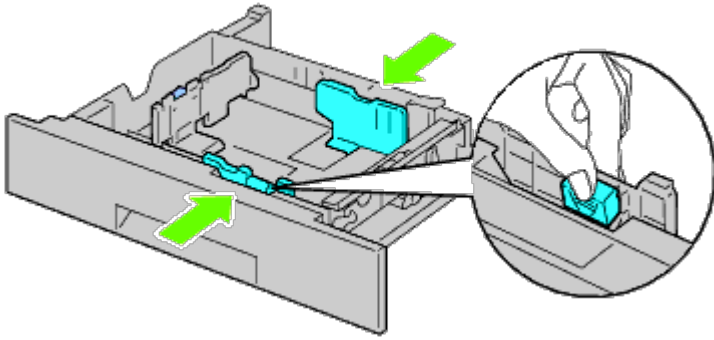
 **NOTE:** For printing from the MPF or envelope printing, see "[Loading Print Media](#)."

All trays are loaded the same way:

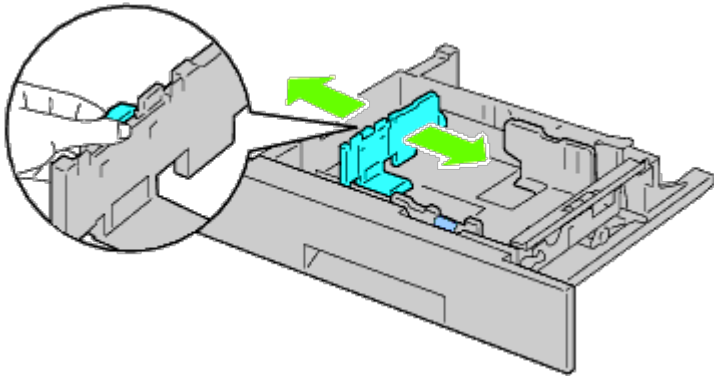
1. Remove the paper tray from the printer.



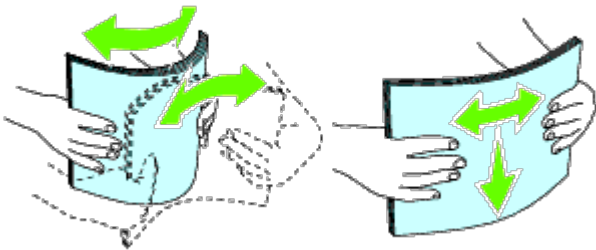
2. Adjust the width guides to the size of paper to be loaded.




3. Adjust the length guide to the size of paper to be loaded.




4. Before loading the paper, flex the sheets back and forth, and then fan them. Straighten the edges of the stack on a level surface.



5. Load paper into the tray with the recommended print side facing up.

 **NOTE:** Do not exceed the maximum fill line in the tray. Overfilling the tray may cause paper jams.

6. After confirming that the guides are securely adjusted, replace the paper tray into the printer.
7. Select the paper type from the operator panel if any print media other than plain print media is loaded. If a user-specified print media is loaded in the standard 550-sheet tray, you must specify the paper size setting by using the operator panel.

 **NOTE:** For standard-size papers, adjust the guides first and then set papers.

Install Optional Accessories (if applicable)

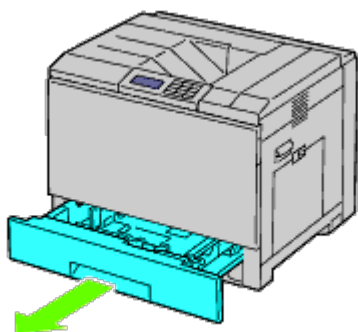
- [Installing a 550-Sheet Feeder](#)
- [Installing a 1100-Sheet Feeder](#)
- [Installing both 550-Sheet Feeders and 1100-Sheet Feeder](#)
- [Installing an Output Expander](#)
- [Installing a Memory Module](#)
- [Installing a Hard Disk](#)
- [Installing a Wireless Adapter](#)
- [Configuring a Wireless Adapter](#)

You can make the printer more functional by installing the optional accessories. This chapter describes how to install printer accessories such as the 550-sheet feeder and wireless adapter.

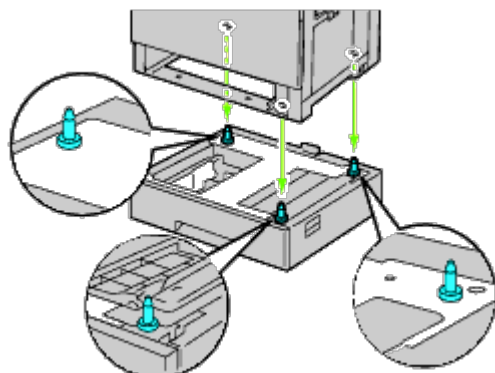
Installing a 550-Sheet Feeder

- ⚠ **CAUTION:** If you are adding a 550-sheet feeder after setting up the printer, be sure to turn off the printer, unplug the power cable, and disconnect all cables from the back of the printer before completing these tasks.
- ⚠ **CAUTION:** When lifting the 550-sheet feeder, grasp and lift the printer as instructed on the label of the feeder.

1. Turn off the printer and unplug the power cable. Then, disconnect all cables from the back of the printer.
2. Pull out the tray until it stops. Lift the front slightly and remove it.



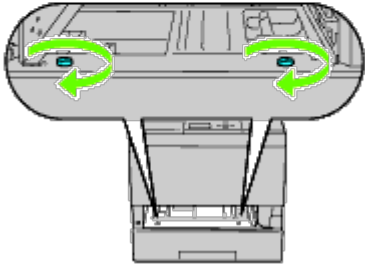
3. Lift the printer and align the three guide pins of the 550-sheet feeder with the holes at the bottom of the printer. Gently lower the printer onto the 550-sheet feeder.



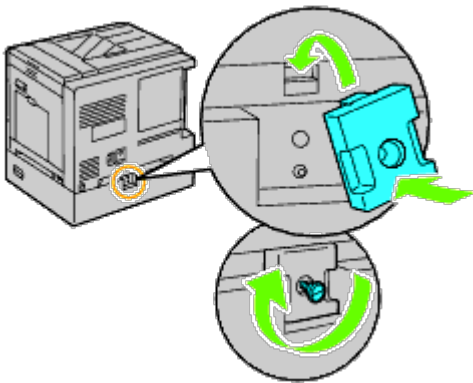
⚠ CAUTION: You need three people to lift the printer.

⚠ CAUTION: Be careful not to catch your fingers between the printer and the sheet feeder.

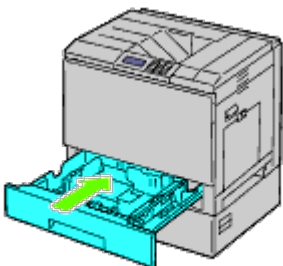
4. Tighten the two screws provided with the feeder using a coin or screw driver.



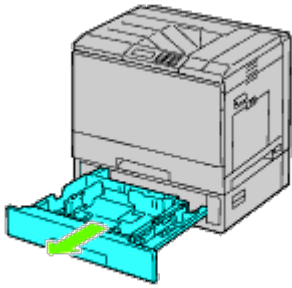
5. Secure the printer and the 550-sheet feeder with a plastic clamp-lock and the long screw provided with the feeder.



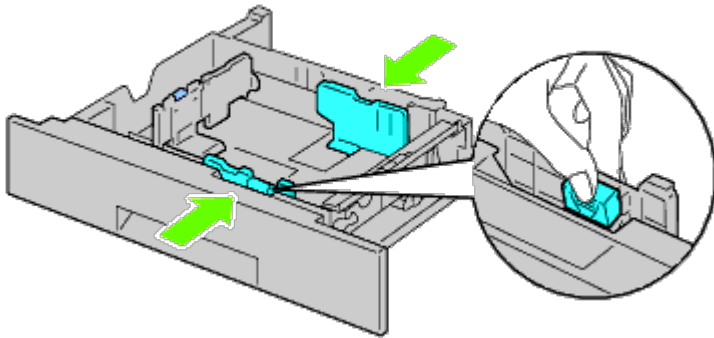
6. Insert the tray into the printer, and push it until it stops.



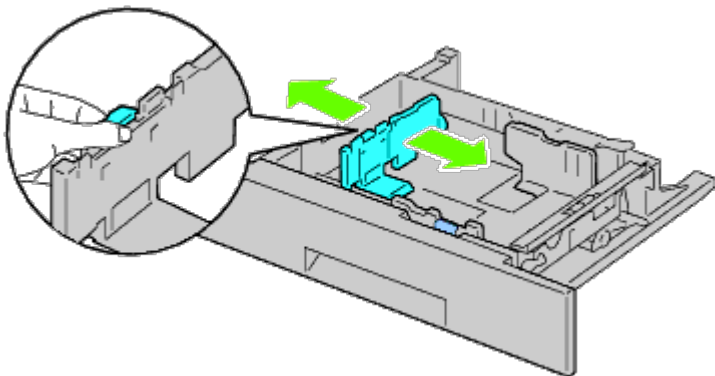
7. Remove the tray from the 550-sheet feeder.



8. Adjust the width guides to the size of paper to be loaded.



9. Adjust the length guide to the size of paper to be loaded.



10. Load paper into the tray with the recommended print side facing up.


11. Replace the tray to the 550-sheet feeder.

12. Connect the power cable to the printer and then to the power source.

13. Fix the power cable on the printer with the plastic fastener.

14. Turn on the printer.

 **NOTE:** If a message displays telling you to make initial setup on the operator panel, always do as instructed.

 **NOTE:** The printer will automatically detect the attached tray but will not detect the paper type.

15. Print the printer settings page to verify if the 550-sheet feeder is installed correctly by following the instructions below. See "[Printing Printer Settings Page](#)."

Printing Printer Settings Page

When Using the Operator Panel

- a. Press **Menu** button.
- b. Ensure **Report/List** is highlighted, and then press ✓ (**Set**) button. **Printer Setting** is displayed.
- c. Press ✓ (**Set**) button.
The printer settings page is printed.
- d. Verify **550-Sheet Feeder** is listed in the printer settings under **Printer Options**.


If the feeder is not listed, turn off the printer, unplug the power cable, and reinstall the 550-sheet feeder.

When Using the Dell™ Printer Configuration Web Tool

- a. Launch **Dell Printer Configuration Web Tool**.
 - 1) Open the web browser.
 - 2) Enter the IP address of your printer in the web browser.See "[Dell Printer Configuration Web Tool](#)."
- b. Select **Printer Settings**.
- c. Click the **Printer Settings Report** tab.
- d. Select **Reports**.
- e. Click **Start** on the **Printer Settings**.


The printer settings report is printed.

- f. Verify if **550-Sheet Feeder** is listed in the printer settings.
If the feeder is not listed, turn off the printer, unplug the power cable, and reinstall the 550-sheet feeder.
16. After loading paper in the installed tray, specify the paper type using the printer operator panel:
- a. Press **Menu** button.
 - b. Press ▼ button until **Tray Settings** is highlighted, and then press ✓ (**Set**) button.
 - c. Press ▼ button until the installed tray is highlighted, and then press ✓ (**Set**) button.
 - d. Ensure **Paper Type** is highlighted, and then press ✓ (**Set**) button.
 - e. Press ▼ button until the paper type of the installed tray is highlighted, and then press ✓ (**Set**) button.
 - f. Confirm that the selected paper type is marked with a bullet, and then press the **Menu** button.

 **NOTE:** If you installed the 550-sheet feeder after installing the printer driver, update your driver by following the instructions for each operating system. If the printer is on a network, update the driver for each client. To complete installation of the accessory, the printer driver must be updated to detect it.

Updating Your Driver to Detect 550-Sheet Feeder

When Using PCL/XPS Driver

 **NOTE:** XPS driver is supported on the following operating systems: Windows® 7, Windows 7 x64, Windows Vista®,

<p>Windows® 7/Windows 7 x64/Windows Server® 2008 R2 x64</p>	<ol style="list-style-type: none"> 1. Click Start® Devices and Printers. 2. Right-click the printer icon and select Printer properties. 3. When you use PCL driver, click the Options tab, and then select Get Information from Printer. When you use XPS driver, click the Option tab, and then ensure that Enable Bi-Directional Communication check box is checked. If not, check the check box. 4. Click Apply, and then click OK. 5. Close the Devices and Printers dialog box.
<p>Windows Vista®/Vista x64</p>	<ol style="list-style-type: none"> 1. Click Start® Control Panel® Hardware and Sound® Printers. 2. Right-click the printer icon and select Properties. 3. When you use PCL driver, click the Options tab, and then select Get Information from Printer. When you use XPS driver, click the Option tab, and then ensure that Enable Bi-Directional Communication check box is checked. If not, check the check box. 4. Click Apply, and then click OK. 5. Close the Printers dialog box.
<p>Windows Server 2008/Server 2008 x64</p>	<ol style="list-style-type: none"> 1. Click Start® Control Panel® Printers. 2. Right-click the printer icon and select Properties. 3. When you use PCL driver, click the Options tab, and then select Get Information from Printer. When you use XPS driver, click the Option tab, and then ensure that Enable Bi-Directional Communication check box is checked. If not, check the check box. 4. Click Apply, and then click OK. 5. Close the Printers dialog box.
<p>Windows XP/XP x64/Server 2003/Server 2003 x64</p>	<ol style="list-style-type: none"> 1. Click Start® Printers and Faxes. 2. Right-click the printer and select Properties. 3. When you use PCL driver, click the Options tab, and then select Get Information from Printer. 4. Click Apply, and then click OK. 5. Close the Printers and Faxes dialog box.
<p>Windows 2000</p>	<ol style="list-style-type: none"> 1. Click Start® Settings® Printers. 2. Right-click the printer and select Properties. 3. When you use PCL driver, click the Options tab, and then select Get Information from Printer. 4. Click Apply, and then click OK. 5. Close the Printers and Faxes dialog box.

If the printer information is not updated automatically after clicking **Get Information from Printer**, follow these steps:

1. When you use PCL driver, click the **Options** tab, and then select any of the available trays from the **Paper Tray Configuration**.
When you use XPS driver, click the **Option** tab, and then remove the check mark from **Enable Bi-Directional Communication** check box.
Select any of the available trays from the Paper Tray Configuration.
2. Click **Apply**, and then click **OK**.
3. Close the displayed active dialog box.

When Using PS Driver

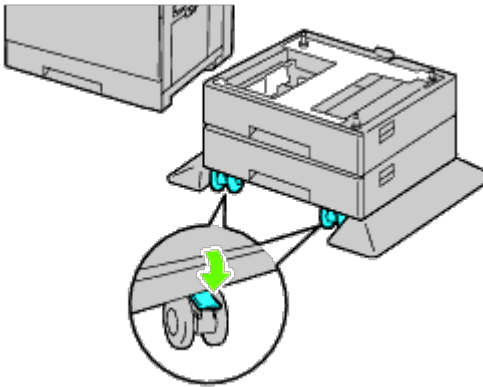
<p>Windows 7/Windows 7 x64/Server 2008 R2 x64</p>	<ol style="list-style-type: none"> 1. Click Start® Devices and Printers. 2. Right-click the printer that uses the PS driver, and then select Printer properties from the displayed list. 3. Click the Configuration tab, and then select Get Information from Printer. 4. Click Apply, and then click OK. 5. Click the Device Settings tab, and then confirm the paper tray configuration under Installable Options. 6. Close the Devices and Printers dialog box.
---	---

	<p>If you cannot acquire the printer information using the Get Information from Printer automatically, try the following procedure:</p> <ol style="list-style-type: none"> 1. Click the Device Settings tab, and then select any of the available trays from the Paper Tray Configuration. 2. Click Apply, and then click OK. 3. Close the Devices and Printers dialog box.
Windows Vista/Vista x64	<ol style="list-style-type: none"> 1. Click Start® Control Panel® Hardware and Sound® Printers. 2. Right-click the printer that uses the PS driver, and then select Properties from the displayed list. 3. Click the Configuration tab, and then select Get Information from Printer. 4. Click Apply, and then click OK. 5. Click the Device Settings tab, and then confirm the paper tray configuration under Installable Options. 6. Close the Printers dialog box. <p>If you cannot acquire the printer information using the Get Information from Printer automatically, try the following procedure:</p> <ol style="list-style-type: none"> 1. Click the Device Settings tab, and then select any of the available trays from the Paper Tray Configuration. 2. Click Apply, and then click OK. 3. Close the Printers dialog box.
Windows Server 2008/Server 2008 x64	<ol style="list-style-type: none"> 1. Click Start® Control Panel® Printers. 2. Right-click the printer that uses the PS driver, and then select Properties from the displayed list. 3. Click the Configuration tab, and then select Get Information from Printer. 4. Click Apply, and then click OK. 5. Click the Device Settings tab, and then confirm the paper tray configuration under Installable Options. 6. Close the Printers dialog box. <p>If you cannot acquire the printer information using the Get Information from Printer automatically, try the following procedure:</p> <ol style="list-style-type: none"> 1. Click the Device Settings tab, and then select any of the available trays from the Paper Tray Configuration. 2. Click Apply, and then click OK. 3. Close the Printers dialog box.
Windows XP/XP x64/Server 2003/Server 2003 x64	<ol style="list-style-type: none"> 1. Click Start® Printers and Faxes. 2. Right-click the printer that uses the PS driver, and then select Properties from the displayed list. 3. Click the Configuration tab, and then select Get Information from Printer. 4. Click Apply, and then click OK. 5. Click the Device Settings tab, and then confirm the paper tray configuration under Installable Options. 6. Close the Printers and Faxes dialog box. <p>If you cannot acquire the printer information using the Get Information from Printer automatically, try the following procedure:</p> <ol style="list-style-type: none"> 1. Click the Device Settings tab, and then select any of the available trays from the Paper Tray Configuration. 2. Click Apply, and then click OK. 3. Close the Printers and Faxes dialog box.
Windows 2000	<ol style="list-style-type: none"> 1. Click Start® Settings® Printers. 2. Right-click the printer that uses the PS driver, and then select Properties from the displayed list. 3. Click the Configuration tab, and then select Get Information from Printer. 4. Click Apply, and then click OK. 5. Click the Device Settings tab, and then confirm the paper tray configuration under Installable Options. 6. Close the Printers dialog box. <p>If you cannot acquire the printer information using the Get Information from Printer automatically, try the following procedure:</p> <ol style="list-style-type: none"> 1. Click the Device Settings tab, and then select any of the available trays from

	<p>the Paper Tray Configuration.</p> <ol style="list-style-type: none"> Click Apply, and then click OK. Close the Printers dialog box.
Mac OS® X 10.5.x	<ol style="list-style-type: none"> Select the Print & Fax in System Preferences. Select the printer in Printers list, and click Options & Supplies. Select Driver, select the options that have been installed on the printers, and then click OK.
Mac OS X 10.3.x/10.4.x	<ol style="list-style-type: none"> Select the printer from the Printer List screen in Print Center (or Printer Setup Utility). Click Printers on the Print Center (or Printer Setup Utility) menu bar, and select Show Info. Select Installable Options, and select the options that have been installed on the printer, and then click Apply Changes.
Mac OS 9	<ol style="list-style-type: none"> Select a desktop printer related to the model. Click Printing on the System menu bar, and select Change Setup. Select Paper Tray Configuration on the Change menu. Select the option that has been installed on the printer on the To menu, and then click OK.

Installing a 1100-Sheet Feeder

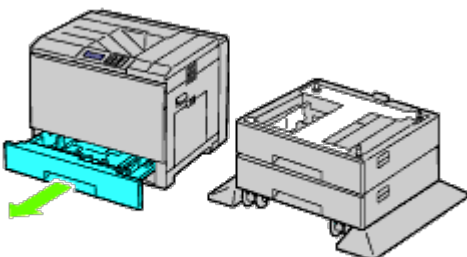
- Turn off the printer and unplug the power cable. Then, disconnect all cables from the back of the printer.
- Lock down the brakes of the two casters at the front of the optional 1100-sheet feeder.



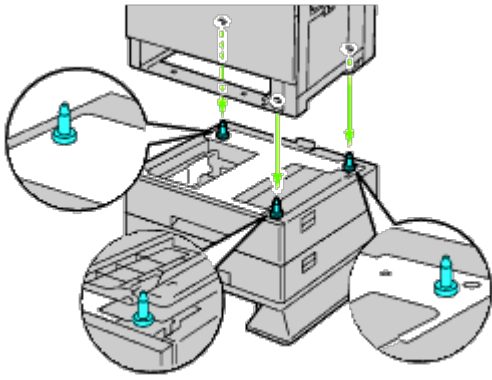
CAUTION: Failure to lock the brakes can cause the printer to move unexpectedly, resulting in personal injury.

NOTE: For easier and safer locking, make the brakes of the two casters face forward by pushing the 1100-sheet feeder backward.

- Pull out the tray until it stops. Lift the front of the tray slightly and remove it.



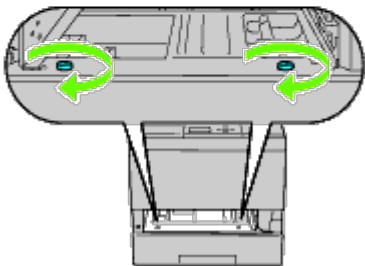
4. Lift the printer and align the three guide pins of the optional 1100-sheet feeder with the holes at the bottom of the printer. Gently lower the printer onto the 1100-sheet feeder.



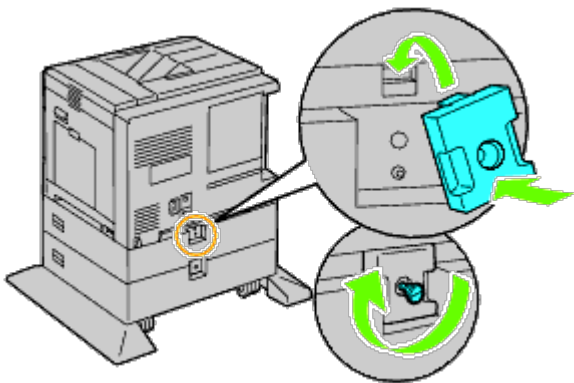
⚠ CAUTION: You need three people to lift the printer.

⚠ CAUTION: Be careful not to catch your fingers between the printer and the sheet feeder.

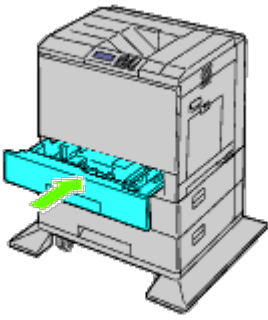
5. Tighten the two screws provided with the feeder using a coin or screw driver.



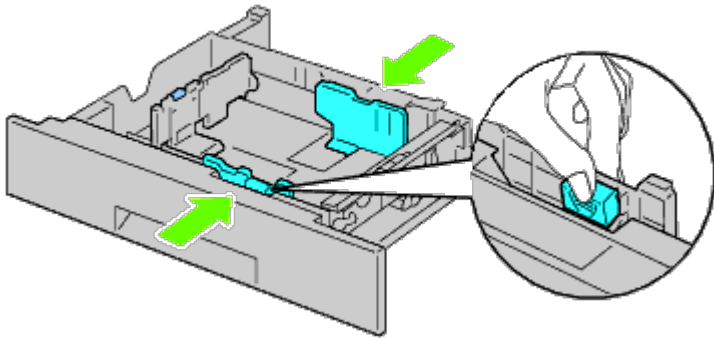
6. Secure the printer and the 1100-sheet feeder with a plastic clamp-lock and the long screw provided with the feeder.



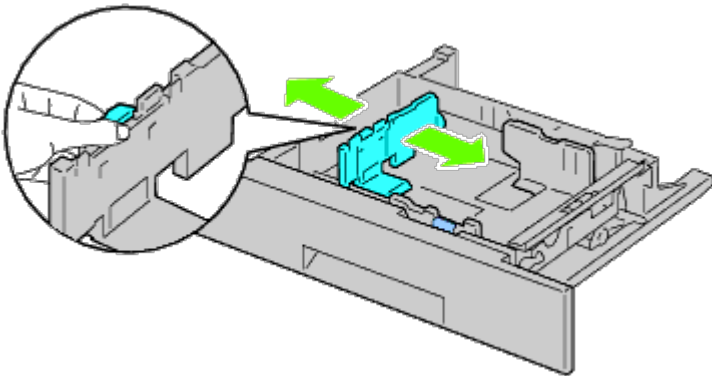
7. Insert the tray into the printer, and push until it stops.



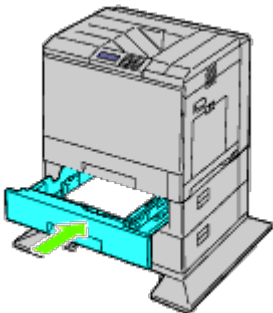
8. Remove the tray from the 1100-sheet feeder.
9. Adjust the width guides to the size of paper to be loaded.



10. Adjust the length guide to the size of paper to be loaded.




11. Load paper into the tray with the recommended print side facing up.
12. Return the tray to the 1100-sheet feeder.



13. Connect the power cable to the printer and then to the power source.
14. Fix the power cable on the printer with the plastic fastener.
15. Turn on the printer.



 **NOTE:** If a message displays telling you to make initial setup on the operator panel, always do as instructed.

 **NOTE:** The printer will automatically detect the attached tray(s) but will not detect the paper type.

16. Print a printer settings page to verify the 1100-sheet feeder is installed correctly by following the instructions. See "[Printing Printer Settings Page](#)."

Printing Printer Settings Page

When Using the Operator Panel

- a. Press **Menu** button.
- b. Ensure that `Report/List` is highlighted, and then press  **(Set)** button. `Printer Setting` is displayed.
- c. Press  **(Set)** button.
The printer settings page is printed.
- d. Verify **1100-Sheet Feeder** is listed in the printer settings under **Printer Options**.

If the feeder is not listed, turn off the printer, unplug the power cable, and reinstall the 1100-sheet feeder.

When Using the Dell™ Printer Configuration Web Tool








- a. Launch **Dell Printer Configuration Web Tool**.
 - 1) Open the web browser.
 - 2) Enter the IP address of your printer in the web browser.See "[Dell Printer Configuration Web Tool](#)."


- b. Select **Printer Settings**.
- c. Click the **Printer Settings Report** tab.
- d. Select **Reports**.
- e. Click **Start** on the **Printer Settings**.

The printer settings report is printed.

- f. Verify **1100-Sheet Feeder** is listed in the printer settings.
If the feeder is not listed, turn off the printer, unplug the power cable, and reinstall the 1100-sheet feeder.

17. After loading paper in the installed tray, specify the paper type from the printer operator panel.

- a. Press **Menu** button.
- b. Press  button until `Tray Settings` is highlighted, and then press  **(Set)** button.
- c. Press  button until the installed tray is highlighted, and then press  **(Set)** button.
- d. Ensure that `Paper Type` is highlighted, and then press  **(Set)** button.
- e. Press  button until the paper type for the installed tray is highlighted, and then press  **(Set)** button.
- f. Confirm that the selected paper type is marked with a bullet, and then press **Menu** button.

 **NOTE:** If you installed the 1100-sheet feeder after installing the printer driver, update your driver by following the instructions for each operating system. If the printer is on a network, update the driver for each client.
To complete installation of the accessory, the printer driver must be updated to detect it.

Updating Your Driver to Detect 1100-Sheet Feeder

When Using PCL/XPS Driver

 **NOTE:** XPS driver is supported on the following operating systems: Windows 7, Windows 7 x64, Windows Vista, Windows Vista x64, Windows Server 2008 R2 x64, Windows Server 2008, and Windows Server 2008 x64.

Windows® 7/Windows 7 x64/Windows Server® 2008 R2 x64	<ol style="list-style-type: none"> 1. Click Start® Devices and Printers. 2. Right-click the printer icon and select Printer properties. 3. When you use PCL driver, click the Options tab, and then select Get Information from Printer. When you use XPS driver, click the Option tab, and then ensure that Enable Bi-Directional Communication check box is checked. If not, check the check box. 4. Click Apply, and then click OK. 5. Close the Devices and Printers dialog box.
Windows Vista®/Vista x64	<ol style="list-style-type: none"> 1. Click Start® Control Panel® Hardware and Sound® Printers. 2. Right-click the printer icon and select Properties. 3. When you use PCL driver, click the Options tab, and then select Get Information from Printer. When you use XPS driver, click the Option tab, and then ensure that Enable Bi-Directional Communication check box is checked. If not, check the check box. 4. Click Apply, and then click OK. 5. Close the Printers dialog box.
Windows Server 2008/Server 2008 x64	<ol style="list-style-type: none"> 1. Click Start® Control Panel® Printers. 2. Right-click the printer icon and select Properties. 3. When you use PCL driver, click the Options tab, and then select Get Information from Printer. When you use XPS driver, click the Option tab, and then ensure that Enable Bi-Directional Communication check box is checked. If not, check the check box. 4. Click Apply, and then click OK. 5. Close the Printers dialog box.
Windows XP/XP x64/Server 2003/Server 2003 x64	<ol style="list-style-type: none"> 1. Click Start® Printers and Faxes. 2. Right-click the printer and select Properties. 3. When you use PCL driver, click the Options tab, and then select Get Information from Printer. 4. Click Apply, and then click OK. 5. Close the Printers and Faxes dialog box.
Windows 2000	<ol style="list-style-type: none"> 1. Click Start® Settings® Printers. 2. Right-click the printer and select Properties. 3. When you use PCL driver, click the Options tab, and then select Get Information from Printer. 4. Click Apply, and then click OK. 5. Close the Printers dialog box.

If the printer information is not updated automatically after clicking **Get Information from Printer**, follow these steps:

1. When you use PCL driver, click the **Options** tab, and then select any of the available trays from the **Paper Tray Configuration**.
When you use XPS driver, click the **Option** tab, and then remove the check mark from **Enable Bi-Directional Communication** check box.
Select any of the available trays from the **Paper Tray Configuration**.
2. Click **Apply**, and then click **OK**.

3. Close the displayed active dialog box.

When Using PS Driver

<p>Windows 7/Windows 7 x64/Server 2008 R2 x64</p>	<ol style="list-style-type: none"> 1. Click Start® Devices and Printers. 2. Right-click the printer that uses the PS driver, and then select Printer properties from the displayed list. 3. Click the Configuration tab, and then select Get Information from Printer. 4. Click Apply, and then click OK. 5. Click the Device Settings tab, and then confirm the paper tray configuration under Installable Options. 6. Close the Devices and Printers dialog box. <p>If you cannot acquire the printer information using the Get Information from Printer automatically, try the following procedure:</p> <ol style="list-style-type: none"> 1. Click the Device Settings tab, and then select any of the available trays from the Paper Tray Configuration. 2. Click Apply, and then click OK. 3. Close the Devices and Printers dialog box.
<p>Windows Vista/Vista x64</p>	<ol style="list-style-type: none"> 1. Click Start® Control Panel® Hardware and Sound® Printers. 2. Right-click the printer that uses the PS driver, and then select Properties from the displayed list. 3. Click the Configuration tab, and then select Get Information from Printer. 4. Click Apply, and then click OK. 5. Click the Device Settings tab, and then confirm the paper tray configuration under Installable Options. 6. Close the Printers dialog box. <p>If you cannot acquire the printer information using the Get Information from Printer automatically, try the following procedure:</p> <ol style="list-style-type: none"> 1. Click the Device Settings tab, and then select any of the available trays from the Paper Tray Configuration. 2. Click Apply, and then click OK. 3. Close the Printers dialog box.
<p>Windows Server 2008/Server 2008 x64</p>	<ol style="list-style-type: none"> 1. Click Start® Control Panel® Printers. 2. Right-click the printer that uses the PS driver, and then select Properties from the displayed list. 3. Click the Configuration tab, and then select Get Information from Printer. 4. Click Apply, and then click OK. 5. Click the Device Settings tab, and then confirm the paper tray configuration under Installable Options. 6. Close the Printers dialog box. <p>If you cannot acquire the printer information using the Get Information from Printer automatically, try the following procedure:</p> <ol style="list-style-type: none"> 1. Click the Device Settings tab, and then select any of the available trays from the Paper Tray Configuration. 2. Click Apply, and then click OK. 3. Close the Printers dialog box.
<p>Windows XP/XP x64/Server 2003/Server 2003 x64</p>	<ol style="list-style-type: none"> 1. Click Start® Printers and Faxes. 2. Right-click the printer that uses the PS driver, and then select Properties from the displayed list. 3. Click the Configuration tab, and then select Get Information from Printer. 4. Click Apply, and then click OK. 5. Click the Device Settings tab, and then confirm the paper tray configuration under Installable Options. 6. Close the Printers and Faxes dialog box. <p>If you cannot acquire the printer information using the Get Information from Printer automatically, try the following procedure:</p> <ol style="list-style-type: none"> 1. Click the Device Settings tab, and then select any of the available trays from

	<p>the Paper Tray Configuration.</p> <ol style="list-style-type: none"> Click Apply, and then click OK. Close the Printers and Faxes dialog box.
Windows 2000	<ol style="list-style-type: none"> Click Start® Settings® Printers. Right-click the printer that uses the PS driver, and then select Properties from the displayed list. Click the Configuration tab, and then select Get Information from Printer. Click Apply, and then click OK. Click the Device Settings tab, and then confirm the paper tray configuration under Installable Options. Close the Printers dialog box. <p>If you cannot acquire the printer information using the Get Information from Printer automatically, try the following procedure:</p> <ol style="list-style-type: none"> Click the Device Settings tab, and then select any of the available trays from the Paper Tray Configuration. Click Apply, and then click OK. Close the Printers dialog box.
Mac OS® X 10.5.x	<ol style="list-style-type: none"> Select the Print & Fax in System Preferences. Select the printer in Printers list, and click Options & Supplies. Select Driver, select the options that have been installed on the printers, and then click OK.
Mac OS X 10.3.x/10.4.x	<ol style="list-style-type: none"> Select the printer from the Printer List screen in Print Center (or Printer Setup Utility). Click Printers on the Print Center (or Printer Setup Utility) menu bar, and select Show Info. Select Installable Options, and select the options that have been installed on the printer, and then click Apply Changes.
Mac OS 9	<ol style="list-style-type: none"> Select a desktop printer related to the model. Click Printing on the System menu bar, and select Change Setup. Select Paper Tray Configuration on the Change menu. Select the option that has been installed on the printer on the To menu, and then click OK.

Installing both 550-Sheet Feeders and 1100-Sheet Feeder

- Turn off the printer and unplug the power cable. Then, disconnect all cables from the back of the printer.
- Lock down the brakes of the two casters at the front of optional 1100-sheet feeder.

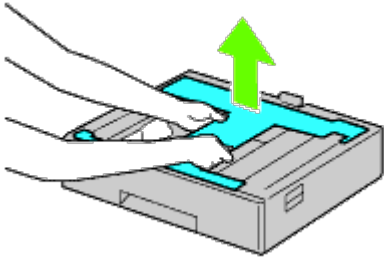


CAUTION: Failure to lock down the brakes can cause the printer to move unexpectedly, resulting in personal injury.

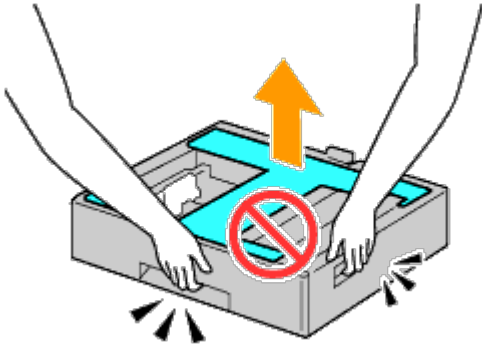


NOTE: For easier and safer locking, make the brakes of the two casters face forward by pushing the 1100-sheet feeder backward.

- Pull out the tray until it stops. Lift the front slightly and remove it.
- Lift the 550-sheet feeder and align the three guide pins of the 1100-sheet feeder with the holes at the bottom of the 550-sheet feeder.
When lifting the 550-sheet feeder, grasp it as shown in the illustration.



⚠ CAUTION: When carrying the 550-sheet feeder, do not grasp the areas shown in the following illustration:



5. Gently lower the 550-sheet feeder onto the 1100-sheet feeder.
6. Tighten the two screws provided with the feeder using a coin or similar object.
7. Lift the printer and align the three guide pins of the 550-sheet feeder with the holes at the bottom of the printer. Gently lower the printer onto the 550-sheet feeder.

⚠ CAUTION: You need three people to lift the printer.


⚠ CAUTION: Be careful not to catch your fingers between the printer and the 1100-sheet feeder.

8. Pull out the tray from the printer until it stops. Lift the front slightly and remove it.
9. Tighten the two screws provided with the feeder using a coin or similar object.
10. Secure the printer and the 550-sheet feeder with a plastic clamp-locks and the longer screws provided with the feeder.

📎 NOTE: When you have two 550-sheet feeders, repeat [Step 4](#) to [Step 10](#).

11. Insert the tray into the printer.
12. Remove the trays from the 550-sheet feeder and the 1100-sheet feeder.
13. Adjust the width guides to the size of paper to be loaded.
14. Adjust the length guide to the size of paper to be loaded.
15. Load paper into the trays with the recommended print side facing up.
16. Return the trays loaded with paper to the feeders.
17. Connect the power cable to the printer and then to the power source.
18. Fix the power cable on the printer with the plastic fastener.
19. Turn on the printer.



 **NOTE:** If a message displays telling you to make initial setup on the operator panel, always do as instructed.

 **NOTE:** The printer will automatically detect the attached tray(s) but will not detect the paper type.

20. Print a printer settings page to verify the 550-sheet feeder and 1100-sheet feeder are installed correctly by following the instructions below. See "[Printing Printer Settings Page](#)."

Printing Printer Settings Page

When Using the Operator Panel

- a. Press **Menu** button.
- b. Ensure **Report/List** is highlighted, and then press  **(Set)** button. **Printer Setting** is displayed.
- c. Press  **(Set)** button.
The printer settings page is printed.
- d. Verify **550-Sheet Feeder** and **1100-Sheet Feeder** are listed in the printer settings under **Printer Options**.






If the feeder is not listed, turn off the printer, unplug the power cable, and reinstall the 550-sheet feeder and the 1100-sheet feeder.

When Using the Dell™ Printer Configuration Web Tool


- a. Launch **Dell Printer Configuration Web Tool**.
 - 1) Open the web browser.
 - 2) Enter the IP address of your printer in the web browser.See "[Dell Printer Configuration Web Tool](#)."
- b. Select **Printer Settings**.
- c. Click the **Printer Settings Report** tab.
- d. Select **Reports**.
- e. Click **Start** on the **Printer Settings**.

The printer settings report is printed.
- f. Verify if **550-Sheet Feeder** and **1100-Sheet Feeder** are listed in the printer settings.
If the feeders are not listed, turn off the printer, unplug the power cable, and reinstall the 550-sheet feeder and the 1100-sheet feeder.

21. After loading paper in the installed tray, specify the paper type from the printer operator panel.

- a. Press **Menu** button.
- b. Press  button until **Tray Settings** is highlighted, and then press  **(Set)** button.
- c. Press  button until the installed tray is highlighted, and then press  **(Set)** button.
- d. Ensure **Paper Type** is highlighted, and then press  **(Set)** button.

- e. Press **V** button until the paper type for the installed tray is highlighted, and then press **✓ (Set)** button.
- f. Confirm that the selected paper type is marked with a bullet, and then press **Menu** button.

 **NOTE:** If you installed the 550-sheet feeder and the 1100-sheet feeder after installing the printer driver, update your driver by following the instructions for each operating system. If the printer is on a network, update the driver for each client.
To complete installation of the accessory, the printer driver must be updated to detect it.

Updating Your Driver to Detect 550-Sheet Feeders and 1100-Sheet Feeder

When Using PCL/XPS Driver

 **NOTE:** XPS driver is supported on the following operating systems: Windows 7, Windows 7 x64, Windows Vista, Windows Vista x64, Windows Server 2008 R2 x64, Windows Server 2008, and Windows Server 2008 x64.

Windows® 7/Windows 7 x64/Windows Server® 2008 R2 x64	<ol style="list-style-type: none"> 1. Click Start® Devices and Printers. 2. Right-click the printer icon and select Printer properties. 3. When you use PCL driver, click the Options tab, and then select Get Information from Printer. When you use XPS driver, click the Option tab, and then ensure that Enable Bi-Directional Communication check box is checked. If not, check the check box. 4. Click Apply, and then click OK. 5. Close the Devices and Printers dialog box.
Windows Vista®/Vista x64	<ol style="list-style-type: none"> 1. Click Start® Control Panel® Hardware and Sound® Printers. 2. Right-click the printer icon and select Properties. 3. When you use PCL driver, click the Options tab, and then select Get Information from Printer. When you use XPS driver, click the Option tab, and then ensure that Enable Bi-Directional Communication check box is checked. If not, check the check box. 4. Click Apply, and then click OK. 5. Close the Printers dialog box.
Windows Server 2008/Server 2008 x64	<ol style="list-style-type: none"> 1. Click Start® Control Panel® Printers. 2. Right-click the printer icon and select Properties. 3. When you use PCL driver, click the Options tab, and then select Get Information from Printer. When you use XPS driver, click the Option tab, and then ensure that Enable Bi-Directional Communication check box is checked. If not, check the check box. 4. Click Apply, and then click OK. 5. Close the Printers dialog box.
Windows XP/XP x64/Server 2003/Server 2003 x64	<ol style="list-style-type: none"> 1. Click Start® Printers and Faxes. 2. Right-click the printer and select Properties. 3. When you use PCL driver, click the Options tab, and then select Get Information from Printer. 4. Click Apply, and then click OK. 5. Close the Printers and Faxes dialog box.
Windows 2000	<ol style="list-style-type: none"> 1. Click Start® Settings® Printers. 2. Right-click the printer and select Properties. 3. When you use PCL driver, click the Options tab, and then select Get Information from Printer. 4. Click Apply, and then click OK. 5. Close the Printers dialog box.

If the printer information is not updated automatically after clicking **Get Information from Printer**, follow these steps:

1. When you use PCL driver, click the **Options** tab, and then select any of the available trays from the **Paper Tray Configuration**.

When you use XPS driver, click the **Option** tab, and then remove the check mark from **Enable Bi-Directional Communication check box**.

Select any of the available trays from the Paper Tray Configuration.


2. Click **Apply**, and then click **OK**.
3. Close the displayed active dialog box.

When Using PS Driver


<p>Windows 7/Windows 7 x64/Server 2008 R2 x64</p>	<ol style="list-style-type: none"> 1. Click Start® Devices and Printers. 2. Right-click the printer that uses the PS driver, and then select Printer properties from the displayed list. 3. Click the Configuration tab, and then select Get Information from Printer. 4. Click Apply, and then click OK. 5. Click the Device Settings tab, and then confirm the paper tray configuration under Installable Options. 6. Close the Devices and Printers dialog box. <p>If you cannot acquire the printer information using the Get Information from Printer automatically, try the following procedure:</p> <ol style="list-style-type: none"> 1. Click the Device Settings tab, and then select any of the available trays from the Paper Tray Configuration. 2. Click Apply, and then click OK. 3. Close the Devices and Printers dialog box.
<p>Windows Vista/Vista x64</p>	<ol style="list-style-type: none"> 1. Click Start® Control Panel® Hardware and Sound® Printers. 2. Right-click the printer that uses the PS driver, and then select Properties from the displayed list. 3. Click the Configuration tab, and then select Get Information from Printer. 4. Click Apply, and then click OK. 5. Click the Device Settings tab, and then confirm the paper tray configuration under Installable Options. 6. Close the Printers dialog box. <p>If you cannot acquire the printer information using the Get Information from Printer automatically, try the following procedure:</p> <ol style="list-style-type: none"> 1. Click the Device Settings tab, and then select any of the available trays from the Paper Tray Configuration. 2. Click Apply, and then click OK. 3. Close the Printers dialog box.
<p>Windows Server 2008/Server 2008 x64</p>	<ol style="list-style-type: none"> 1. Click Start® Control Panel® Printers. 2. Right-click the printer that uses the PS driver, and then select Properties from the displayed list. 3. Click the Configuration tab, and then select Get Information from Printer. 4. Click Apply, and then click OK. 5. Click the Device Settings tab, and then confirm the paper tray configuration under Installable Options. 6. Close the Printers dialog box. <p>If you cannot acquire the printer information using the Get Information from Printer automatically, try the following procedure:</p> <ol style="list-style-type: none"> 1. Click the Device Settings tab, and then select any of the available trays from the Paper Tray Configuration. 2. Click Apply, and then click OK. 3. Close the Printers dialog box.
<p>Windows XP/XP x64/Server 2003/Server 2003 x64</p>	<ol style="list-style-type: none"> 1. Click Start® Printers and Faxes. 2. Right-click the printer that uses the PS driver, and then select Properties from the displayed list. 3. Click the Configuration tab, and then select Get Information from Printer. 4. Click Apply, and then click OK. 5. Click the Device Settings tab, and then confirm the paper tray configuration under Installable Options. 6. Close the Printers and Faxes dialog box.


	<p>If you cannot acquire the printer information using the Get Information from Printer automatically, try the following procedure:</p> <ol style="list-style-type: none"> 1. Click the Device Settings tab, and then select any of the available trays from the Paper Tray Configuration. 2. Click Apply, and then click OK. 3. Close the Printers and Faxes dialog box.
Windows 2000	<ol style="list-style-type: none"> 1. Click Start® Settings® Printers. 2. Right-click the printer that uses the PS driver, and then select Properties from the displayed list. 3. Click the Configuration tab, and then select Get Information from Printer. 4. Click Apply, and then click OK. 5. Click the Device Settings tab, and then confirm the paper tray configuration under Installable Options. 6. Close the Printers dialog box. <p>If you cannot acquire the printer information using the Get Information from Printer automatically, try the following procedure:</p> <ol style="list-style-type: none"> 1. Click the Device Settings tab, and then select any of the available trays from the Paper Tray Configuration. 2. Click Apply, and then click OK. 3. Close the Printers dialog box.
Mac OS® X 10.5.x	<ol style="list-style-type: none"> 1. Select the Print & Fax in System Preferences. 2. Select the printer in Printers list, and click Options & Supplies. 3. Select Driver, select the options that have been installed on the printers, and then click OK.
Mac OS X 10.3.x/10.4.x	<ol style="list-style-type: none"> 1. Select the printer from the Printer List screen in Print Center (or Printer Setup Utility). 2. Click Printers on the Print Center (or Printer Setup Utility) menu bar, and select Show Info. 3. Select Installable Options, and select the options that have been installed on the printer, and then click Apply Changes.
Mac OS 9	<ol style="list-style-type: none"> 1. Select a desktop printer related to the model. 2. Click Printing on the System menu bar, and select Change Setup. 3. Select Paper Tray Configuration on the Change menu. 4. Select the option that has been installed on the printer on the To menu, and then click OK.

Installing an Output Expander

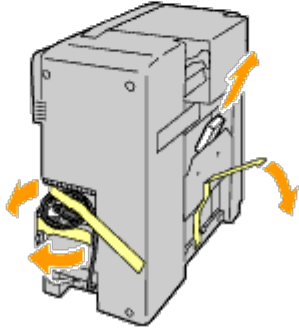
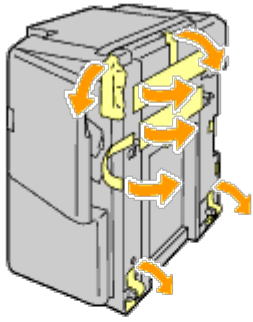
 **CAUTION:** If you install an output expander after setting up the printer, be sure to turn off the printer, unplug the power cable, and disconnect all cables from the back of the printer before completing these tasks.

 **CAUTION:** Always grasp and hold the output expander as instructed when moving the expander. Not doing so could cause you to drop the output expander, resulting in personal injury.

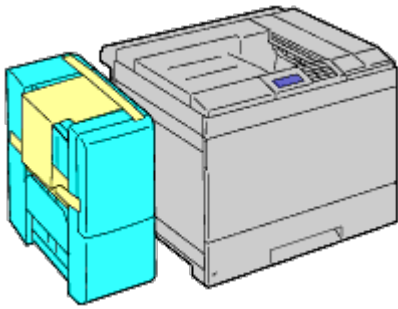
 **CAUTION:** After installing the output expander, visually check to ensure that the expander has been connected correctly. Improper installation could cause the output expander to detach and fall, causing personal injury.

 **CAUTION:** When moving the printer, disconnect the output expander from the printer. Not doing so could cause the output expander to detach and drop, resulting in personal injury.

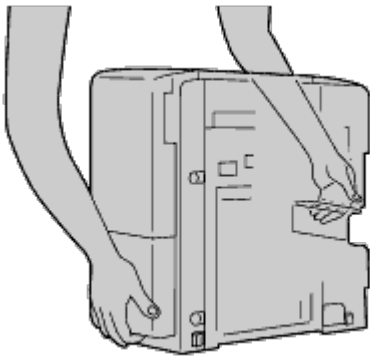
1. Turn off the printer and unplug the power cable. Then, disconnect all cables from the back of the printer.
2. Remove all packing material from the output expander, except the cardboard cover. Do not remove the protective cardboard cover until installation is complete.



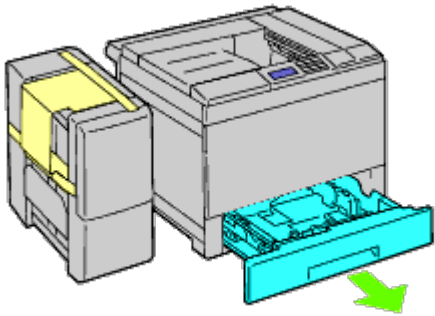
3. Place the output expander on the left side of the printer.



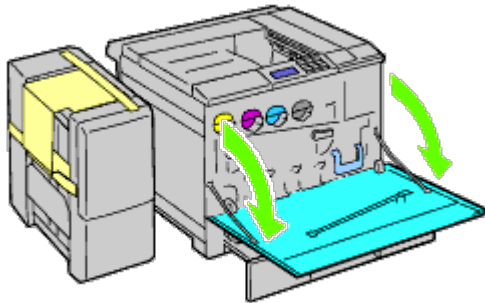
⚠ CAUTION: Always hold the positions shown below when lifting the output expander.



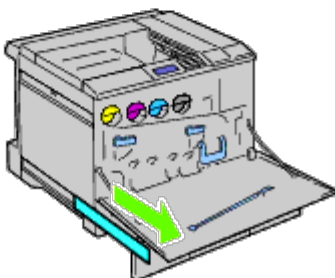
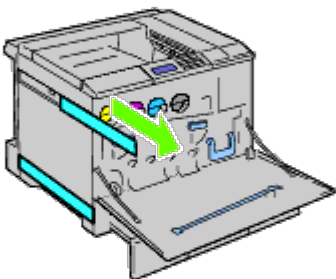
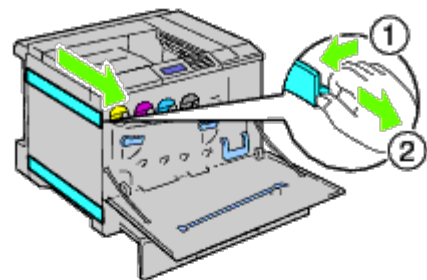
4. Open the tray 1 slightly.



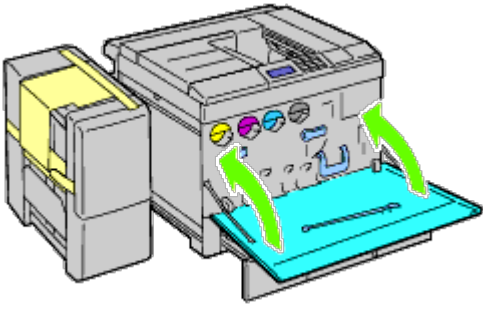
5. Open the front cover.



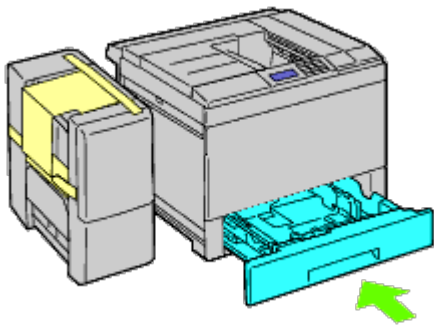
6. Grasp the tab of the upper panel to slightly pull it outwards, and then pull the panel forward to remove it from the printer. Repeat the procedure for the lower panel.



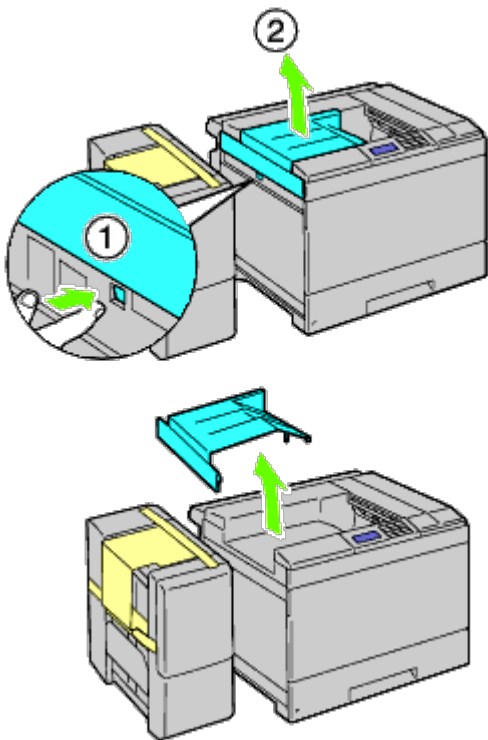
7. Close the front cover of the printer.



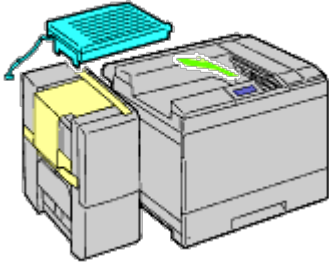
8. Insert the tray into the printer, and push until it stops.



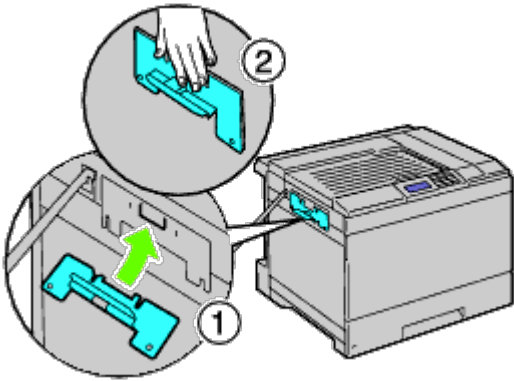
9. Press the claw to unlatch the center output tray and lift the tray to remove it from the printer.



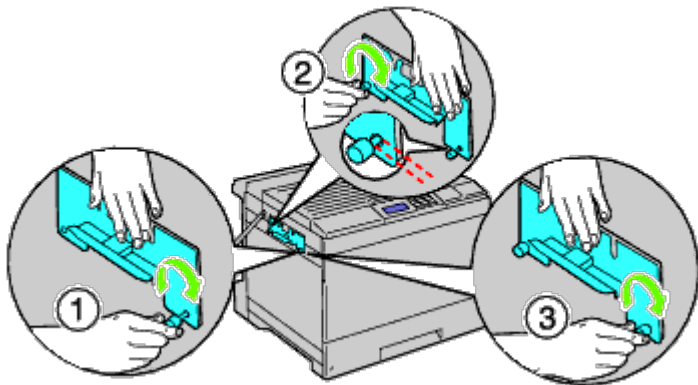
10. Place the H transport unit on the printer.



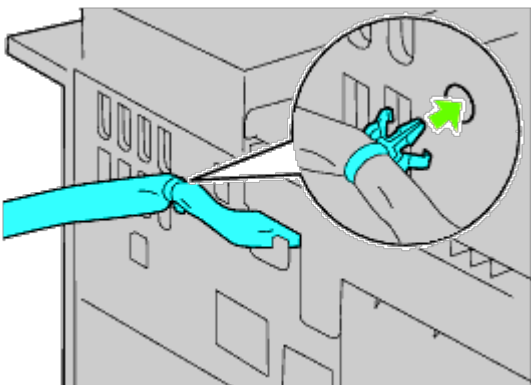
11. Attach the bracket as shown in the illustration below.



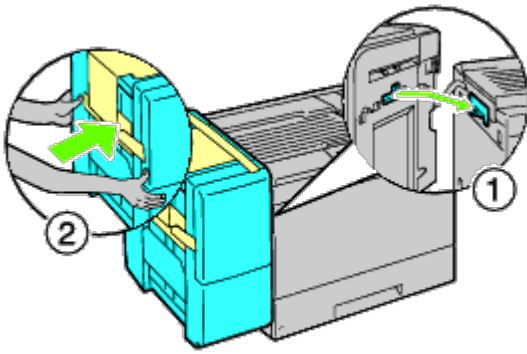
12. First, tighten the screw on the right side loosely for later adjustment.
Then, tighten the other screw on the left side, and then tighten the right screw firmly.



13. Attach the plastic fastener to the printer to secure the cables.

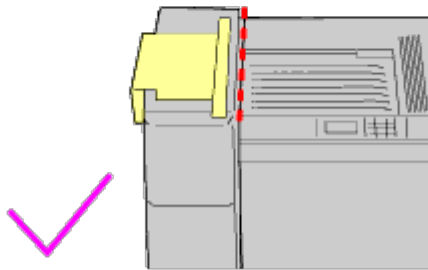
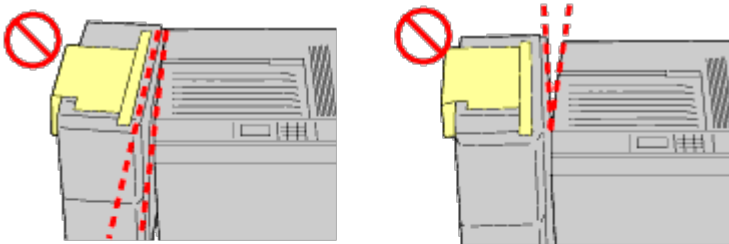


14. Lift the output expander, align the hole on the expander with the bracket guide, and then hook the expander onto the bracket guide.
To properly fit the expander to the printer, put pressure on the expander with your hands in the direction shown in the illustration.

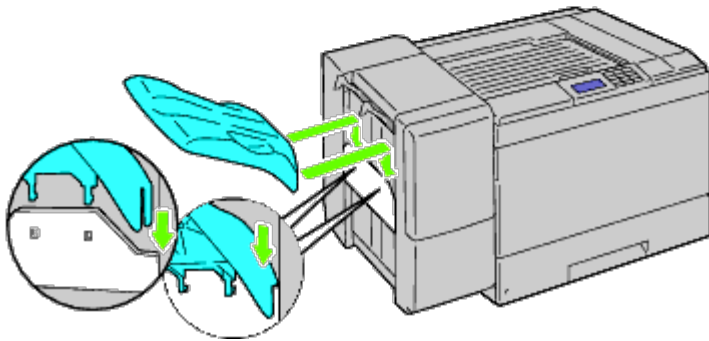
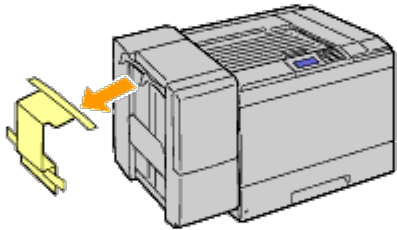
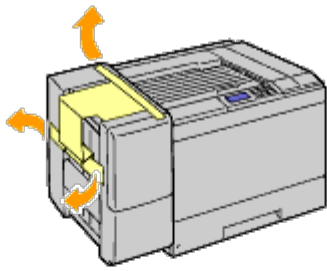


⚠ CAUTION: Always hold the marked positions when lifting the output expander.

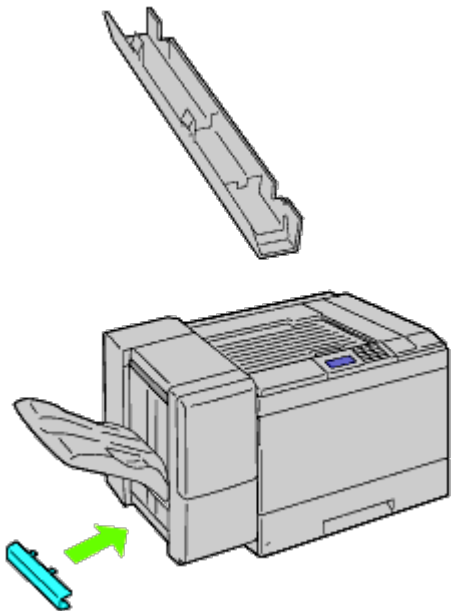
⚠ CAUTION: Check the space between the printer and output expander to confirm that the expander is connected properly.
If the output expander does not fit in the printer, detach and install it again.



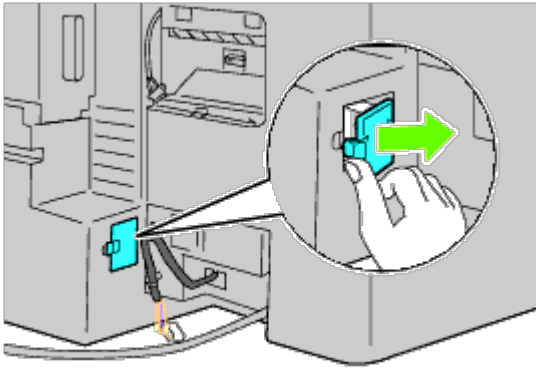
15. Remove the protective cardboard cover from the output expander, and then attach the stacker tray to the output expander.
First, align the attachment side of tray to the printer. Then slide the tray down until its two projections catch the holes on the metal panel as shown in the illustration.



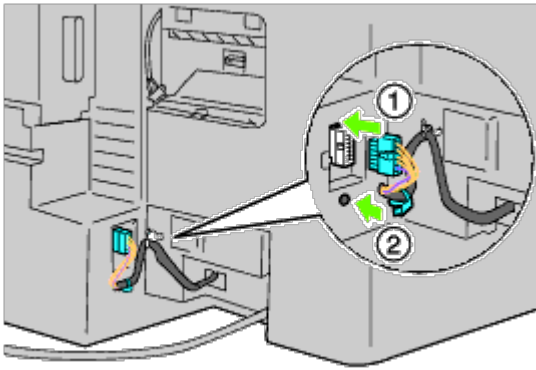
16. Attach the parts as shown in the illustration below.



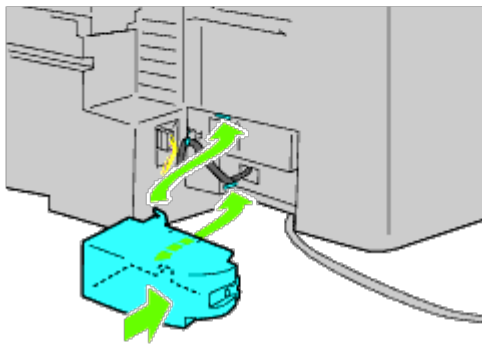
17. Remove the connector cover from the printer.



18. Insert the connector in the socket, and then attach the plastic fastener to the printer to secure the cables.

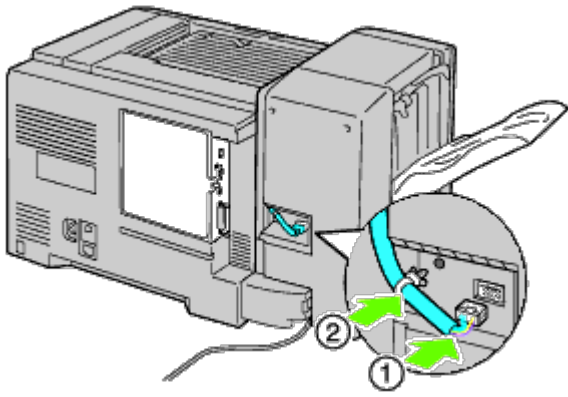


19. Attach the connector cover 2.



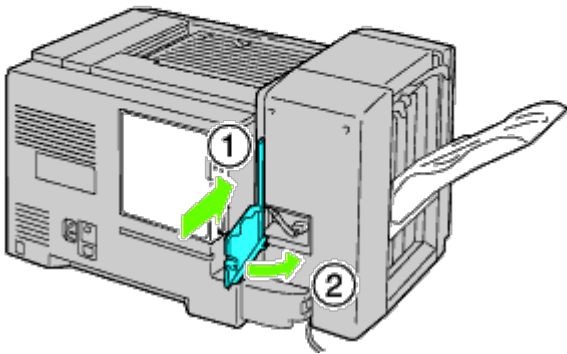
NOTICE: Always keep the power cable away from cover closures.

20. Insert the connector in the socket, and then attach the plastic fastener to the printer to secure the cables.

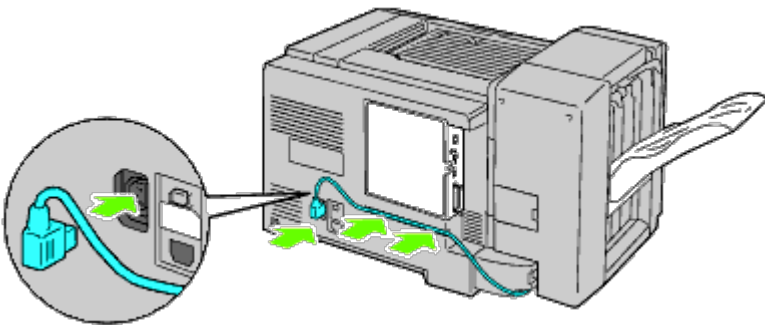


21. Attach the connector cover 1.

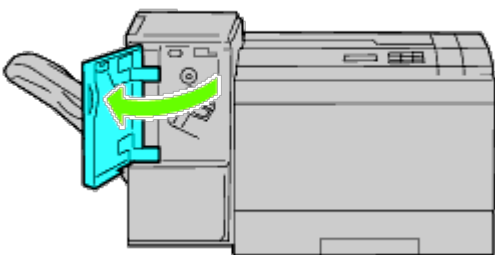
First, attach the left side of the connector cover 1 to the printer. Then close cover 1 as shown in the illustration.




22. Connect the power cable of the output expander to the printer as shown in the illustration.

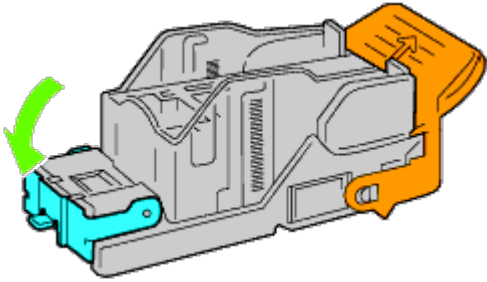


23. Open the front door of the output expander.

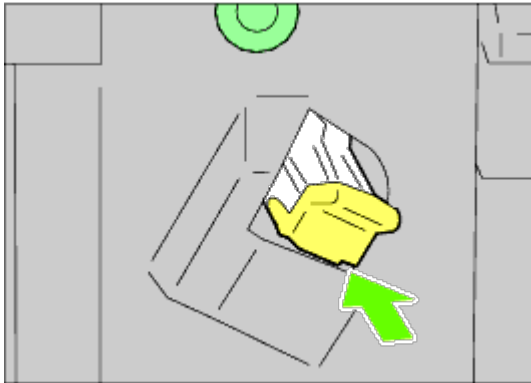


24. Remove the packing material from the stapler cartridge.

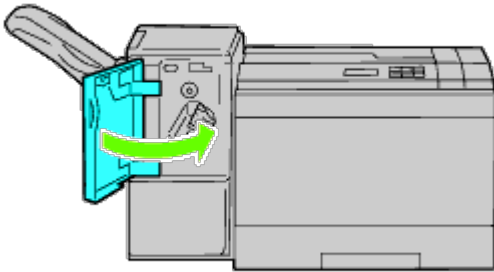
 **NOTE:** Ensure that the metal part is lowered as shown in the illustration below.



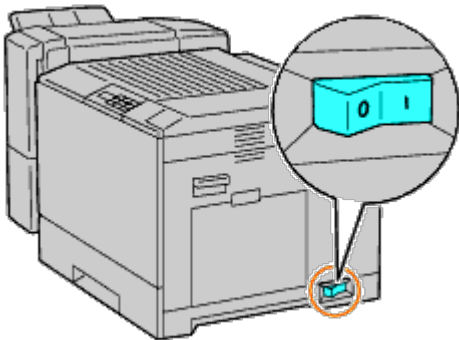
25. Insert the stapler cartridge in the output expander.



26. Close the front door of the output expander.



27. Turn on the printer.



 **NOTE:** If a message displays telling you to make initial setup on the operator panel, always do as instructed.

28. Print a printer settings page to verify the output expander is installed correctly by following the instructions below. See "[Printing Printer Settings Page.](#)"

Printing Printer Settings Page

When Using the Operator Panel

- a. Press **Menu** button.
- b. Ensure **Report/List** is highlighted, and then press ✓ (**Set**) button.
- c. **Printer Setting** is displayed. Press ✓ (**Set**) button.
The printer settings page is printed.
- d. Verify **Output Expander** is listed in the printer settings under **Printer Options**.


If the output expander is not listed, turn off the printer, unplug the power cable, and reinstall the output expander.


When Using the Dell™ Printer Configuration Web Tool


- a. Launch **Dell Printer Configuration Web Tool**.
 - 1) Open the web browser.
 - 2) Enter the IP address of your printer in the web browser.See "[Dell Printer Configuration Web Tool](#)."
- b. Select **Printer Settings**.
- c. Click the **Printer Settings Report** tab.
- d. Select **Reports**.
- e. Click the **Start** button on the **Printer Settings**.

The printer settings report is printed.

- f. Verify **Output Expander** is listed in the printer settings.
If the output expander is not listed, turn off the printer, unplug the power cable, and reinstall the output expander.

 **NOTE:** If you installed the output expander after installing the PCL or PS printer driver, update your driver by following the instructions for each operating system. If the printer is on a network, update the driver for each client. To complete installation of the accessory, the printer driver must be updated to detect it.

 **NOTE:** Output expander can be specified on the printer driver only when optional hard disk or RAM disk is available on the printer driver.

 **NOTE:** When you use XPS driver, the following settings are not required.

Updating Your Driver to Detect Output Expander

When Using PCL Driver:

Windows® 7/Windows 7 x64/Windows Server®
2008 R2 x64

1. Click **Start® Devices and Printers**.
2. Right-click the printer icon and select **Printer properties**.
3. Click the **Options** tab, and then select **Get Information**

	<p>from Printer.</p> <ol style="list-style-type: none"> Click Apply, and then click OK. Close the Devices and Printers dialog box.
Windows Vista®/Vista x64	<ol style="list-style-type: none"> Click Start® Control Panel® Hardware and Sound® Printers. Right-click the printer icon and select Properties. Click the Options tab, and then select Get Information from Printer. Click Apply, and then click OK. Close the Printers dialog box.
Windows Server 2008/Server 2008 x64	<ol style="list-style-type: none"> Click Start® Control Panel® Printers. Right-click the printer icon and select Properties. Click the Options tab, and then select Get Information from Printer. Click Apply, and then click OK. Close the Printers dialog box.
Windows XP/XP x64/Server 2003/Server 2003 x64	<ol style="list-style-type: none"> Click Start® Printers and Faxes. Right-click the printer and select Properties. Click the Options tab, and then select Get Information from Printer. Click Apply, and then click OK. Close the Printers and Faxes dialog box.
Windows 2000	<ol style="list-style-type: none"> Click Start® Settings® Printers. Right-click the printer and select Properties. Click the Options tab, and then select Get Information from Printer. Click Apply, and then click OK. Close the Printers dialog box.

If the printer information is not updated automatically after clicking **Get Information from Printer**, follow these steps:

- Click the **Options** tab, and then select **Output Expander** on the **Items** list box.
- Select **Available** for the output expander setting.
- Click **Apply**, and then click **OK**.
- Close the displayed active dialog box.

When Using PS Driver

Windows 7/Windows 7 x64/Server 2008 R2 x64	<ol style="list-style-type: none"> Click Start® Devices and Printers. Right-click the printer that uses the PS driver, and then select Printer properties from the displayed list. Click the Configuration tab, and then select Get Information from Printer. Click Apply, and then click OK. Click the Device Settings tab, and then confirm Output Expander is available under Installable Options. Close the Devices and Printers dialog box. <p>If you cannot acquire the printer information using the Get Information from Printer automatically, try the following procedure:</p> <ol style="list-style-type: none"> Click the Device Settings tab, and then select Available for the Output Expander under Installable Options. Click Apply, and then click OK. Close the Devices and Printers dialog box.
Windows Vista/Vista x64	<ol style="list-style-type: none"> Click Start® Control Panel® Hardware and Sound® Printers. Right-click the printer that uses the PS driver, and then select Properties from the displayed list. Click the Configuration tab, and then select Get Information from Printer.

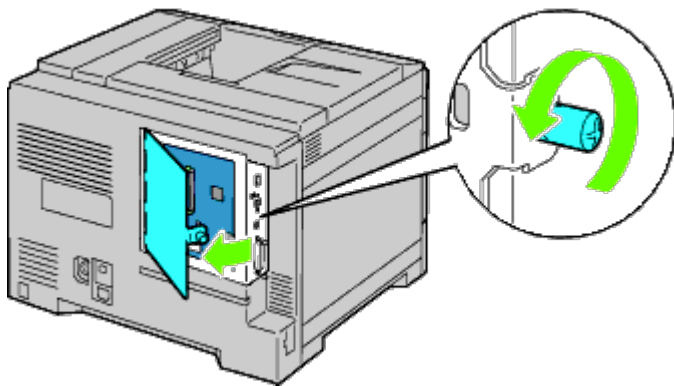
	<ol style="list-style-type: none"> 4. Click Apply, and then click OK. 5. Click the Device Settings tab, and then confirm Output Expander is available under Installable Options. 6. Close the Printers dialog box. <p>If you cannot acquire the printer information using the Get Information from Printer automatically, try the following procedure:</p> <ol style="list-style-type: none"> 1. Click the Device Settings tab, and then select Available for the Output Expander under Installable Options. 2. Click Apply, and then click OK. 3. Close the Printers dialog box.
Windows Server 2008/Server 2008 x64	<ol style="list-style-type: none"> 1. Click Start® Control Panel® Printers. 2. Right-click the printer that uses the PS driver, and then select Properties from the displayed list. 3. Click the Configuration tab, and then select Get Information from Printer. 4. Click Apply, and then click OK. 5. Click the Device Settings tab, and then confirm Output Expander is available under Installable Options. 6. Close the Printers dialog box. <p>If you cannot acquire the printer information using the Get Information from Printer automatically, try the following procedure:</p> <ol style="list-style-type: none"> 1. Click the Device Settings tab, and then select Available for the Output Expander under Installable Options. 2. Click Apply, and then click OK. 3. Close the Printers dialog box.
Windows XP/XP x64/Server 2003/Server 2003 x64	<ol style="list-style-type: none"> 1. Click Start® Printers and Faxes. 2. Right-click the printer that uses the PS driver, and then select Properties from the displayed list. 3. Click the Configuration tab, and then select Get Information from Printer. 4. Click Apply, and then click OK. 5. Click the Device Settings tab, and then confirm Output Expander is available under Installable Options. 6. Close the Printers and Faxes dialog box. <p>If you cannot acquire the printer information using the Get Information from Printer automatically, try the following procedure:</p> <ol style="list-style-type: none"> 1. Click the Device Settings tab, and then select Available for the Output Expander under Installable Options. 2. Click Apply, and then click OK. 3. Close the Printers and Faxes dialog box.
Windows 2000	<ol style="list-style-type: none"> 1. Click Start® Settings® Printers. 2. Right-click the printer that uses the PS driver, and then select Properties from the displayed list. 3. Click the Configuration tab, and then select Get Information from Printer. 4. Click Apply, and then click OK. 5. Click the Device Settings tab, and then confirm Output Expander is available under Installable Options. 6. Close the Printers dialog box. <p>If you cannot acquire the printer information using the Get Information from Printer automatically, try the following procedure:</p> <ol style="list-style-type: none"> 1. Click the Device Settings tab, and then select Available for the Output Expander under Installable Options. 2. Click Apply, and then click OK. 3. Close the Printers dialog box.
Mac OS® X 10.5.x	<ol style="list-style-type: none"> 1. Select the Print & Fax in System Preferences. 2. Select the printer in Printers list, and click Options & Supplies. 3. Select Driver, select the options that have been installed on the printers, and then click OK.
Mac OS X 10.3.x/10.4.x	<ol style="list-style-type: none"> 1. Select the printer from the Printer List screen in Print Center (or Printer Setup Utility). 2. Click Printers on the Print Center (or Printer Setup Utility) menu bar, and

	<p>select Show Info.</p> <p>3. Select Installable Options, and select the options that have been installed on the printer, and then click Apply Changes.</p>
Mac OS 9	<p>1. Select a desktop printer related to the model.</p> <p>2. Click Printing on the System menu bar, and select Change Setup.</p> <p>3. Select Output Expander on the Change menu.</p> <p>4. Select the option that has been installed on the printer on the To menu, and then click OK.</p>

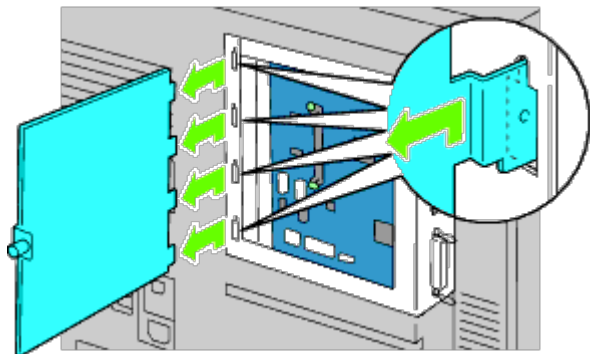
Installing a Memory Module

Your printer comes with 256 MB of memory installed. To increase memory, you can add an optional 1024 MB memory module on the control board.

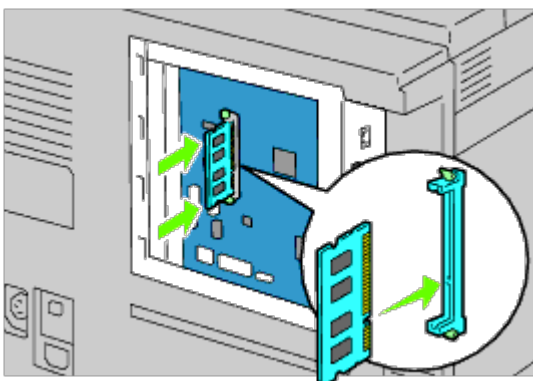
1. Ensure that the printer is turned off.
2. Rotate the screw counterclockwise on the metal casing to open the cover.



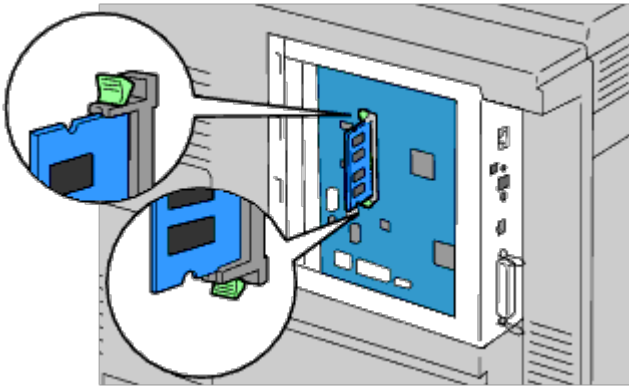
3. Remove the control board cover.



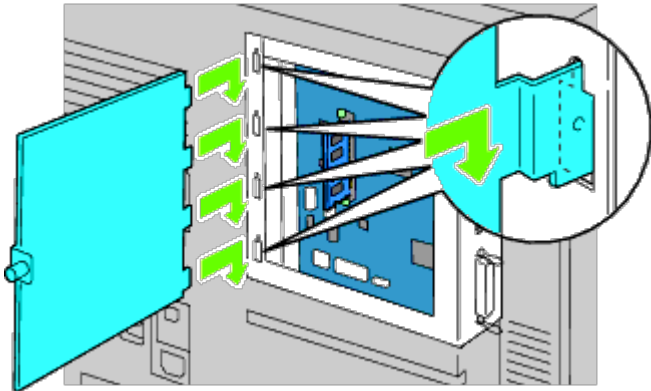
4. Pay attention to the direction of the memory module to align the notches of the memory module with those of the slot. With the connector of the memory module toward the slot, insert the memory module vertically into the slot. Then press down evenly on both sides of the memory module until it stops.



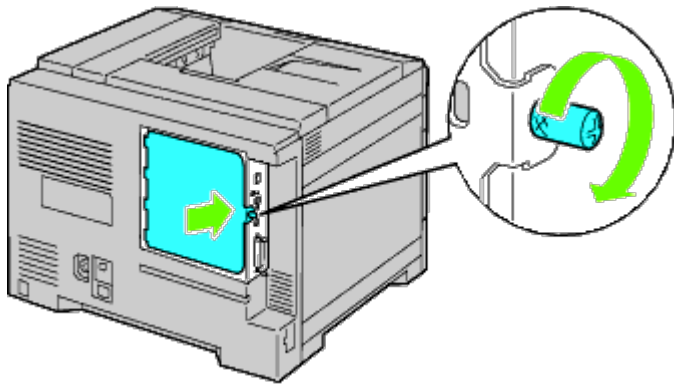
5. Check that the tabs are locked.



6. Install the control board cover.



7. Close the control board cover and rotate the screw clockwise.



8. Turn on the printer.

9. Print the printer settings page to verify that the memory is installed correctly by following the instructions below. See "[Printing Printer Settings Page](#)."

Printing Printer Settings Page

When Using the Operator Panel

- a. Press **Menu** button.
- b. Ensure Report/List is highlighted, and then press ✓ **(Set)** button.
- c. Printer Setting is displayed. Press ✓ **(Set)** button.

The printer settings page is printed.


- d. Verify **Memory Capacity** listed in the printer settings under **General**.


If the memory capacity has not increased, turn off the printer, unplug the power cable, and reinstall the memory module.


When Using the Dell Printer Configuration Web Tool

- a. Launch **Dell Printer Configuration Web Tool**.
 - 1) Open the web browser.
 - 2) Enter the IP address of your printer in the web browser.See "[Dell Printer Configuration Web Tool](#)."
- b. Select **Printer Settings**.
- c. Click the **Printer Settings Report** tab.
- d. Select **Reports**.
- e. Press the **Start** button in the **Printer Settings**.
- f. The printer settings report is printed.
- g. Verify **Memory Capacity** listed in the printer settings.

If the memory capacity has not increased, turn off the printer, unplug the power cable, and reinstall the memory module.

 **NOTE:** If you installed the memory module after installing the PCL or PS printer driver, update your driver by following the instructions for each operating system. If the printer is on a network, update the driver for each client. To complete installation of the accessory, the printer driver must be updated to detect it.

 **NOTE:** Memory module can be specified on the printer driver only when HDD or RAM disk is available on the printer driver.

 **NOTE:** When you use XPS driver, the following settings are not required.

Updating Your Driver to Detect Memory Module

When Using PCL/XPS Driver

 **NOTE:** XPS driver is supported on the following operating systems: Windows 7, Windows 7 x64, Windows Vista, Windows Vista x64, Windows Server 2008 R2 x64, Windows Server 2008, and Windows Server 2008 x64.

Windows 7/Windows 7 x64/Server 2008 R2 x64	<ol style="list-style-type: none">1. Click Start® Devices and Printers.2. Right-click the printer icon and select Printer properties.3. When you use PCL driver, click the Options tab, and then select Get Information from Printer. When you use XPS driver, click the Option tab, and then ensure that Enable Bi-Directional Communication check box is checked. If not, check the check box.4. Click Apply, and then click OK.5. Close the Devices and Printers dialog box.
Windows Vista/Vista x64	<ol style="list-style-type: none">1. Click Start® Control Panel® Hardware and Sound® Printers.2. Right-click the printer and select Properties.3. When you use PCL driver, click the Options tab, and then select Get Information from Printer.

	<p>When you use XPS driver, click the Option tab, and then ensure that Enable Bi-Directional Communication check box is checked. If not, check the check box.</p> <ol style="list-style-type: none"> Click Apply, and then click OK. Close the Printers dialog box.
Windows Server 2008/Server 2008 x64	<ol style="list-style-type: none"> Click Start® Control Panel® Printers. Right-click the printer and select Properties. When you use PCL driver, click the Options tab, and then select Get Information from Printer. When you use XPS driver, click the Option tab, and then ensure that Enable Bi-Directional Communication check box is checked. If not, check the check box. Click Apply, and then click OK. Close the Printers dialog box.
Windows XP/XP x64/Windows Server 2003/Windows Server 2003 x64	<ol style="list-style-type: none"> Click Start® Printers and Faxes. Right-click the printer and select Properties. When you use PCL driver, click the Options tab, and then select Get Information from Printer. Click Apply, and then click OK. Close the Printers and Faxes dialog box.
Windows 2000	<ol style="list-style-type: none"> Click Start® Settings® Printers. Right-click the printer and select Properties. When you use PCL driver, click the Options tab, and then select Get Information from Printer. Click Apply, and then click OK. Close the Printers dialog box.

If the printer information is not updated automatically after clicking **Get Information from Printer**, follow these steps:

- When you use PCL driver, click the **Options** tab, and then select the total amount of the installed printer memory for the memory capacity setting in the **Items** list box.
When you use XPS driver, click the **Option** tab, and then remove the check mark from **Enable Bi-Directional Communication** check box.
Select the total amount of the installed printer memory for the memory capacity setting in the **Items** list box.
- Click **Apply**, and then click **OK**.
- Close the displayed active dialog box.

When Using PS Driver

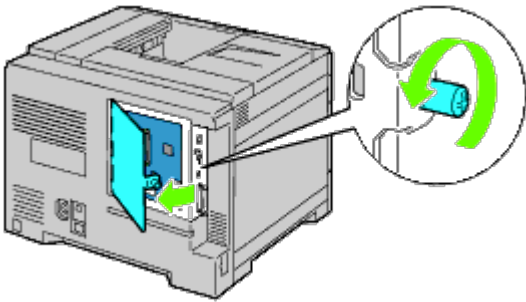
Windows 7/Windows 7 x64/Server 2008 R2 x64	<ol style="list-style-type: none"> Click Start® Devices and Printers. Right-click the printer that uses the PS driver, and then select Printer properties from the displayed list. Click the Configuration tab, and then select Get Information from Printer. Click Apply, and then click OK. Click the Device Settings tab, and then confirm the memory capacity on the Installable Options. Close the Devices and Printers dialog box. <p>If you cannot acquire the printer information using the Get Information from Printer automatically, try the following procedure:</p> <ol style="list-style-type: none"> Click the Device Settings tab, and then select memory size from Memory Capacity under Installable Options. Click Apply, and then click OK. Close the Devices and Printers dialog box.
Windows Vista/Vista x64	<ol style="list-style-type: none"> Click Start® Control Panel® Hardware and Sound® Printers. Right-click the printer that uses the PS driver, and then select Properties from the displayed list. Click the Configuration tab, and then select Get Information from Printer. Click Apply, and then click OK.

	<ol style="list-style-type: none"> 5. Click the Device Settings tab, and then confirm the memory capacity on the Installable Options. 6. Close the Printers dialog box. <p>If you cannot acquire the printer information using the Get Information from Printer automatically, try the following procedure:</p> <ol style="list-style-type: none"> 1. Click the Device Settings tab, and then select memory size from Memory Capacity under Installable Options. 2. Click Apply, and then click OK. 3. Close the Printers dialog box.
Windows Server 2008/Server 2008 x64	<ol style="list-style-type: none"> 1. Click Start® Control Panel® Printers. 2. Right-click the printer that uses the PS driver, and then select Properties from the displayed list. 3. Click the Configuration tab, and then select Get Information from Printer. 4. Click Apply, and then click OK. 5. Click the Device Settings tab, and then confirm the memory capacity on the Installable Options. 6. Close the Printers dialog box. <p>If you cannot acquire the printer information using the Get Information from Printer automatically, try the following procedure:</p> <ol style="list-style-type: none"> 1. Click the Device Settings tab, and then select memory size from Memory Capacity under Installable Options. 2. Click Apply, and then click OK. 3. Close the Printers dialog box.
Windows XP/XP x64/Server 2003/Server 2003 x64	<ol style="list-style-type: none"> 1. Click Start® Printers and Faxes. 2. Right-click the printer that uses the PS driver, and then select Properties from the displayed list. 3. Click the Configuration tab, and then select Get Information from Printer. 4. Click Apply, and then click OK. 5. Click the Device Settings tab, and then confirm the memory capacity on the Installable Options. 6. Close the Printers and Faxes dialog box. <p>If you cannot acquire the printer information using the Get Information from Printer automatically, try the following procedure:</p> <ol style="list-style-type: none"> 1. Click the Device Settings tab, and then select memory size from Memory Capacity under Installable Options. 2. Click Apply, and then click OK. 3. Close the Printers and Faxes dialog box.
Windows 2000	<ol style="list-style-type: none"> 1. Click Start® Settings® Printers. 2. Right-click the printer that uses the PS driver, and then select Properties from the displayed list. 3. Click the Configuration tab, and then select Get Information from Printer. 4. Click Apply, and then click OK. 5. Click the Device Settings tab, and then confirm the memory capacity on the Installable Options. 6. Close the Printers dialog box. <p>If you cannot acquire the printer information using the Get Information from Printer automatically, try the following procedure:</p> <ol style="list-style-type: none"> 1. Click the Device Settings tab, and then select memory size from Memory Capacity under Installable Options. 2. Click Apply, and then click OK. 3. Close the Printers dialog box.
Mac OS® X 10.5.x	<ol style="list-style-type: none"> 1. Select the Print & Fax in System Preferences. 2. Select the printer in Printers list, and click Options & Supplies. 3. Select Driver, select the options that have been installed on the printers, and then click OK.
Mac OS X 10.3.x/10.4.x	<ol style="list-style-type: none"> 1. Select the printer from the Printer List screen in Print Center (or Printer Setup Utility). 2. Click Printers on the Print Center (or Printer Setup Utility) menu bar, and select Show Info.

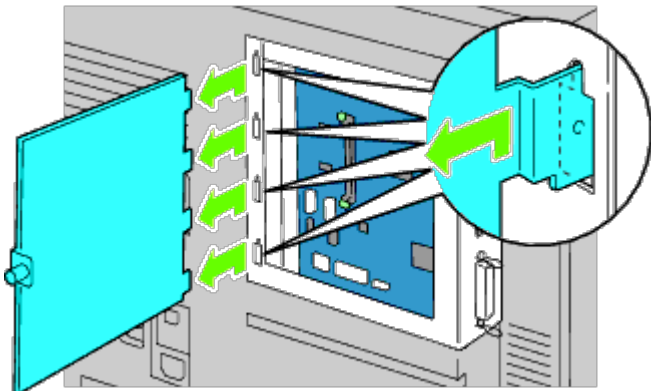
	<ol style="list-style-type: none">3. Select Installable Options, and select the options that have been installed on the printer, and then click Apply Changes.4. Click Apply, and then click OK.
Mac OS 9	<ol style="list-style-type: none">1. Select a desktop printer related to the model.2. Click Printing on the System menu bar, and select Change Setup.3. Select Memory Capacity on the Change menu.4. Select the option that has been installed on the printer on the To menu, and then click OK.

Installing a Hard Disk

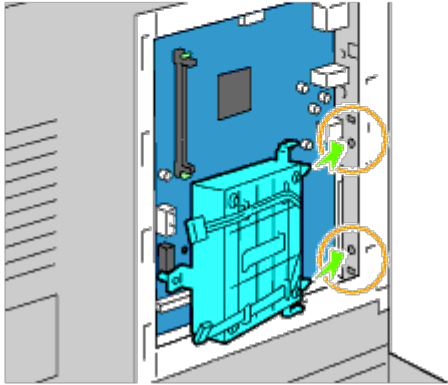
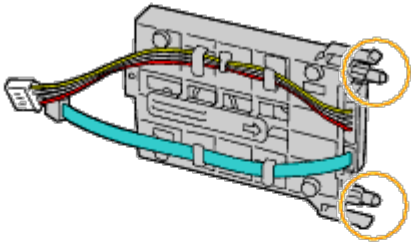
1. Ensure that the printer is turned off.
2. Rotate the screw counterclockwise on the metal casing to open the cover.



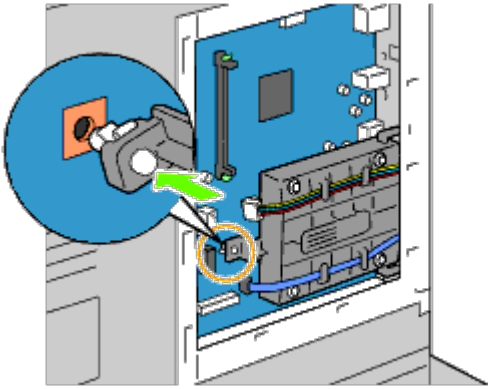
3. Remove the control board cover.



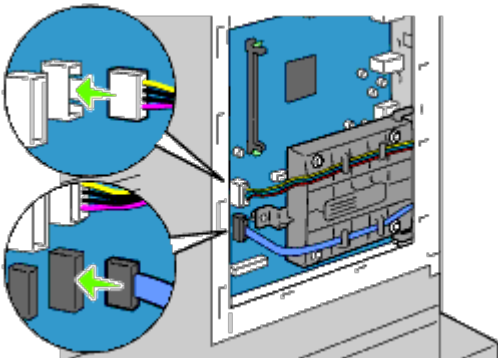
4. Insert the two plastic pins on the hard disk into the metal casing holes.



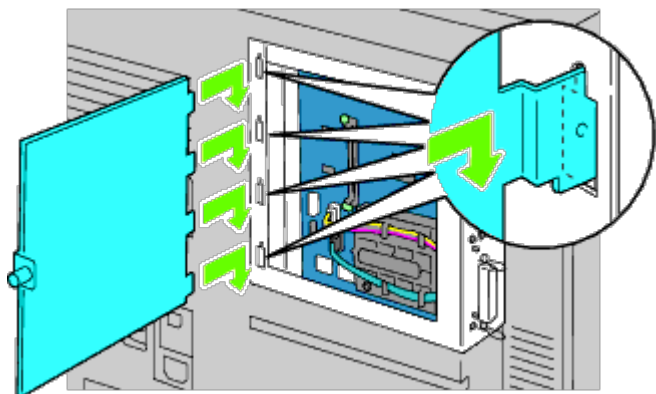
5. Attach the left side spacer to the control board.



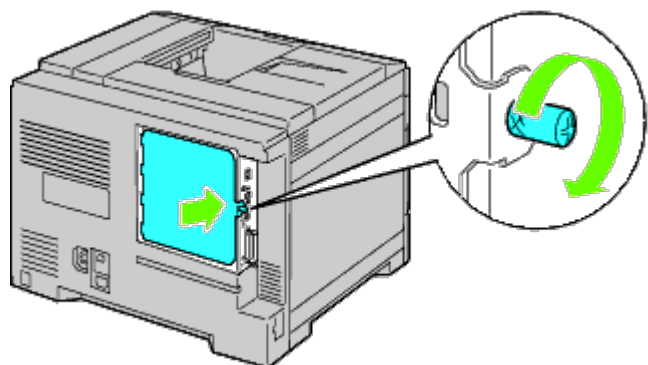
6. Connect the hard disk cables to the connectors of the control board.



7. Replace the control board cover.



8. Close the control board cover and then rotate the screw clockwise.





9. Turn on the printer.

 **NOTE:** If a message displays telling you to make initial setup on the operator panel, always do as instructed.

10. Print the printer settings page to verify if the optional hard disk is installed correctly by following the instructions. See "[Printing Printer Settings Page.](#)"

Printing Printer Settings Page

11. When Using the Operator Panel

- a. Press **Menu** button.
- b. Ensure Report/List is highlighted, and then press  **(Set)** button. Printer Setting is displayed.
- c. Press  **(Set)** button.
The printer settings page is printed.
- d. Verify if **Hard Disk** is listed in the printer settings under **Printer Options**.

If it is not listed, turn off the printer, unplug the power cable, and reinstall the hard disk.

When Using the Dell Printer Configuration Web Tool


- a. Launch **Dell Printer Configuration Web Tool**.
 - 1) Open the web browser.
 - 2) Enter the IP address of your printer in the web browser.
See "[Dell Printer Configuration Web Tool.](#)"
- b. Select **Printer Settings**.


- c. Click the **Printer Settings Report** tab.
- d. Select **Reports**.
- e. Press the **Start** button in the **Printer Settings**.


The printer settings report is printed.

- f. Verify if **Hard Disk** is listed in the printer settings under **Printer Options**.

If it is not listed, turn off the printer, unplug the power cable, and reinstall the hard disk.


 **NOTE:** If you installed the hard disk after installing the PCL or PS printer driver, update your driver by following the instructions for each operating system. If the printer is on a network, update the driver for each client. To complete installation of the accessory, the printer driver must be updated to detect it.

 **NOTE:** Hard disk can be specified on the printer driver only when HDD or RAM disk is available on the printer driver.

 **NOTE:** When you use XPS driver, the following settings are not required.

Updating Your Driver to Detect Hard Disk

When Using PCL/XPS Driver

 **NOTE:** When you use XPS driver, the following settings are not required.

Windows 7/Windows 7 x64/Server 2008 R2 x64	<ol style="list-style-type: none"> 1. Click Start® Devices and Printers. 2. Right-click the printer icon and select Printer properties. 3. Click the Options tab, and then select Get Information from Printer. 4. Click Apply, and then click OK. 5. Close the Devices and Printers dialog box.
Windows Vista/Vista x64	<ol style="list-style-type: none"> 1. Click Start® Control Panel® Hardware and Sound® Printers. 2. Right-click the printer icon and select Properties. 3. Click the Options tab, and then select Get Information from Printer. 4. Click Apply, and then click OK. 5. Close the Printers dialog box.
Windows Server 2008/Server 2008 x64	<ol style="list-style-type: none"> 1. Click Start® Control Panel® Printers. 2. Right-click the printer icon and select Properties. 3. Click the Options tab, and then select Get Information from Printer. 4. Click Apply, and then click OK. 5. Close the Printers dialog box.
Windows XP/XP x64/Server 2003/Server 2003 x64	<ol style="list-style-type: none"> 1. Click Start® Printers and Faxes. 2. Right-click the printer and select Properties. 3. Click the Options tab, and then select Get Information from Printer. 4. Click Apply, and then click OK. 5. Close the Printers and Faxes dialog box.
Windows 2000	<ol style="list-style-type: none"> 1. Click Start® Settings® Printers. 2. Right-click the printer and select Properties. 3. Click the Options tab, and then select Get Information from Printer. 4. Click Apply, and then click OK. 5. Close the Printers dialog box.

If the printer information is not updated automatically after clicking **Get Information from Printer**, follow these steps:

1. Click the **Options** tab, and then select **Hard Disk** on the **Items** list box.
2. Select **Available** for the hard disk setting.
3. Click **Apply**, and then click **OK**.
4. Close the displayed active dialog box.

When Using PS Driver

<p>Windows 7/Windows 7 x64/Server 2008 R2 x64</p>	<ol style="list-style-type: none"> 1. Click Start® Devices and Printers. 2. Right-click the printer that uses the PS driver, and then select Printer properties from the displayed list. 3. Click the Configuration tab, and then select Get Information from Printer. 4. Click Apply, and then click OK. 5. Click the Device Settings tab, and then confirm the storage device on the Installable Options. <p>If you cannot acquire the printer information using the Get Information from Printer automatically, try the following procedure:</p> <ol style="list-style-type: none"> 1. Click the Device Settings tab, and then select storage device from Storage Device under Installable Options. 2. Click OK. 3. Close the Devices and Printers dialog box.
<p>Windows Vista/Vista x64</p>	<ol style="list-style-type: none"> 1. Click Start® Control Panel® Hardware and Sound® Printers. 2. Right-click the printer that uses the PS driver, and then select Properties from the displayed list. 3. Click the Configuration tab, and then select Get Information from Printer. 4. Click Apply, and then click OK. 5. Click the Device Settings tab, and then confirm the storage device on the Installable Options. <p>If you cannot acquire the printer information using the Get Information from Printer automatically, try the following procedure:</p> <ol style="list-style-type: none"> 1. Click the Device Settings tab, and then select storage device from Storage Device under Installable Options. 2. Click OK. 3. Close the Printers dialog box.
<p>Windows Server 2008/Server 2008 x64</p>	<ol style="list-style-type: none"> 1. Click Start® Control Panel® Printers. 2. Right-click the printer that uses the PS driver, and then select Properties from the displayed list. 3. Click the Configuration tab, and then select Get Information from Printer. 4. Click Apply, and then click OK. 5. Click the Device Settings tab, and then confirm the storage device on the Installable Options. <p>If you cannot acquire the printer information using the Get Information from Printer automatically, try the following procedure:</p> <ol style="list-style-type: none"> 1. Click the Device Settings tab, and then select storage device from Storage Device under Installable Options. 2. Click OK. 3. Close the Printers dialog box.
<p>Windows XP/XP x64/Server 2003/Server 2003 x64</p>	<ol style="list-style-type: none"> 1. Click Start® Printers and Faxes. 2. Right-click the printer that uses the PS driver, and then select Properties from the displayed list. 3. Click the Configuration tab, and then select Get Information from Printer. 4. Click Apply, and then click OK. 5. Click the Device Settings tab, and then confirm the storage device on the Installable Options. <p>If you cannot acquire the printer information using the Get Information from</p>

	<p>Printer automatically, try the following procedure:</p> <ol style="list-style-type: none"> 1. Click the Device Settings tab, and then select storage device from Storage Device under Installable Options. 2. Click OK. 3. Close the Printers and Faxes dialog box.
Windows 2000	<ol style="list-style-type: none"> 1. Click Start® Settings® Printers. 2. Right-click the printer that uses the PS driver, and then select Properties from the displayed list. 3. Click the Configuration tab, and then select Get Information from Printer. 4. Click Apply, and then click OK. 5. Click the Device Settings tab, and then confirm the storage device on the Installable Options. <p>If you cannot acquire the printer information using the Get Information from Printer automatically, try the following procedure:</p> <ol style="list-style-type: none"> 1. Click the Device Settings tab, and then select storage device from Storage Device under Installable Options. 2. Click OK. 3. Close the Printers dialog box.
Mac OS® X 10.5.x	<ol style="list-style-type: none"> 1. Select the Print & Fax in System Preferences. 2. Select the printer in Printers list, and click Options & Supplies. 3. Select Driver, select the options that have been installed on the printers, and then click OK.
Mac OS X 10.3.x/10.4.x	<ol style="list-style-type: none"> 1. Select the printer from the Printer List screen in Print Center (or Printer Setup Utility). 2. Click Printers on the Print Center (or Printer Setup Utility) menu bar, and select Show Info. 3. Select Installable Options, and select the options that have been installed on the printer, and then click Apply Changes.
Mac OS 9	<ol style="list-style-type: none"> 1. Select a desktop printer related to the model. 2. Click Printing on the System menu bar, and select Change Setup. 3. Select Storage Device on the Change menu. 4. Select the option that has been installed on the printer on the To menu, and then click OK.

Installing a Wireless Adapter


The wireless adapter allows you to use the printer with wireless network connection.

The specifications of wireless adapter are described below:

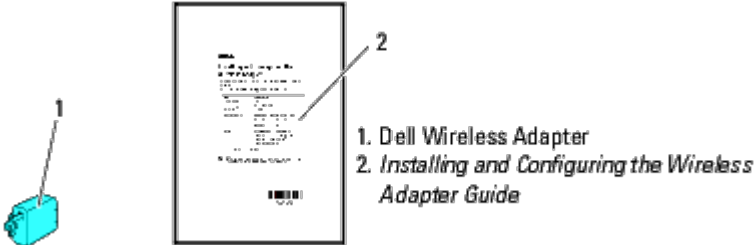
Item	Specification
Connectivity	Wireless
Connectivity Standard	IEEE802.11b/g/n compliant
Bandwidth	2.4 GHz
Data Transfer Rate	IEEE802.11b mode: 11, 5.5, 2, 1 Mbps IEEE802.11g mode: 54, 48, 36, 24, 18, 12, 9, 6 Mbps IEEE802.11n mode: 65 Mbps
Security	64(40-bit key)/128(104-bit key) WEP, WPA-PSK(TKIP, AES), WPA2-PSK(AES), WPA-Enterprise(TKIP, AES)* ¹ , * ² , WPA2-Enterprise(AES)* ¹ , * ²


*1 : PEAPV0 MS-CHAPV2 only.

*2: This item is available only when the optional hard disk is installed.

 **NOTE:** When the Wireless Adapter is installed, you cannot use IEEE 802.1x authentication and /or the Ethernet port for a wired connection.

Verifying the Contents of Box

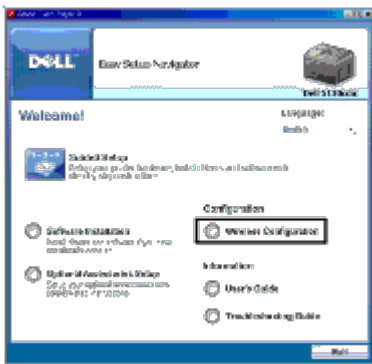


 **NOTE:** To complete wireless setup you will require the *Drivers and Utilities CD* that comes with your printer. The configuration utility and drivers can also be downloaded from support.dell.com.

Before Installing a Wireless Adapter

To install the Dell Wireless Adapter, perform one of the following methods.

1. Video instructions (Recommended)
 - a. Insert the *Drivers and Utilities CD* in your computer. The **Easy Setup Navigator** file launches automatically.
 - b. Click the **Wireless Configuration** button on the **Easy Setup Navigator** window and follow the on-screen instructions until the **Configure Your Wireless Printer** screen appears.



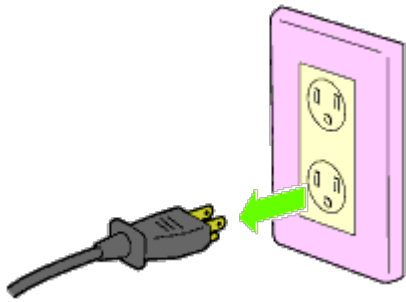
 **NOTE:** For more information on configuring the Wireless Adapter see "[Configuring a Wireless Adapter](#)."

2. Paper instructions

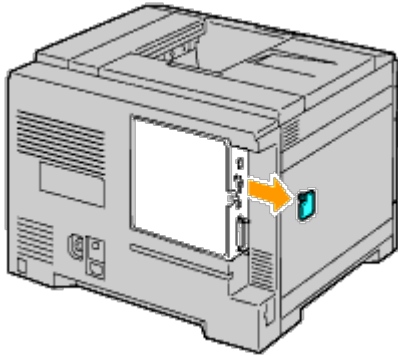
Refer to *Installing and Configuring the Wireless Adapter Guide* provided with the wireless adapter.

Installing a Wireless Adapter

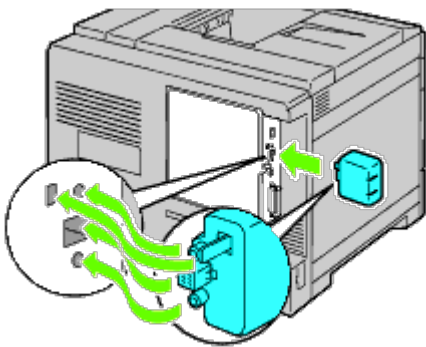
1. Ensure that the printer is turned off. Then unplug all cables including the power cable from the rear of the printer.



2. Remove the cap from the wireless adapter socket.



3. Align the connector and the three protrusions of the wireless adapter with the four holes and insert the adapter.



 **NOTE:** Ensure that the adapter is fully inserted and secured.



4. Reconnect the power cable and turn on the printer.

 **NOTE:** If a message displays telling you to make initial setup on the operator panel, always do as instructed.

5. Print the printer settings page to verify that the wireless adapter is installed correctly by following the instructions below. See "[Printing Printer Settings Page.](#)"

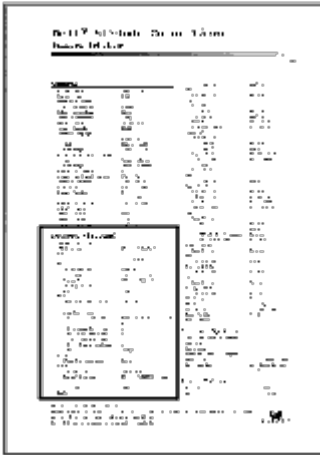
Printing Printer Settings Page

When Using the Operator panel

- a. Press the **Menu** button.
- b. Ensure **Report/List** is highlighted, and then press the  **(Set)** button.
- c. **Printer Settings** is displayed. Press the  **(Set)** button.

The **Printer Settings** page is printed.

6. Verify that the **Network (Wireless)** section exists.



NOTE: For more information on configuring the Wireless Adapter see "[Configuring a Wireless Adapter.](#)"

Determining the Wireless Network Settings

You need to know the wireless network settings to use your printer as a wireless device. For details of the settings, contact your network administrator.

Wireless Settings	SSID	Specifies the name that identifies the wireless network. Up to 32 alphanumeric characters.
	Network Type	Specifies the network type from Ad-hoc or Infrastructure.
Security Settings	Security	Selects the security method from No security, WEP, WPA-PSK TKIP and WPA2-PSK-AES/WPA-PSK-AES.
	Transmit Key	Specifies the transmit key from the list.
	WEP Key	Specifies the WEP key set used through the wireless network only when WEP is selected for Security.
	Pass Phrase	Specifies the pass phrase of alphanumeric characters from 8 to 63 bytes long only when WPA-PSK is selected for Encryption.

Configuring a Wireless Adapter

This section describes how to configure a wireless adapter through Easy Setup Navigator.

You can select a method to configure a wireless adapter from the following:

Wizard Setup through USB connection		
Advanced Setup through	Ethernet connection	
	Operator Panel or Dell Printer Configuration Web Tool	
	WPS-PIN *1	
	WPS-PBC *2	
	USB connection	

*1 WPS-PIN (Wi-Fi® Protected setup-Personal Identification Number) is a method to authenticate and register devices required for wireless configuration, by entering PIN assignments in the printer and computer. This setting, performed through access point, is available only when the access points of your wireless router supports WPS.

*2 WPS-PBC (Wi-Fi Protected Setup-Push Button Configuration) is a method to authenticate and register devices required for wireless configuration, by pressing the button provided on the access point via wireless routers, and then performing WPS-PBC setting on the operator panel. This setting is available only when the access point supports WPS.

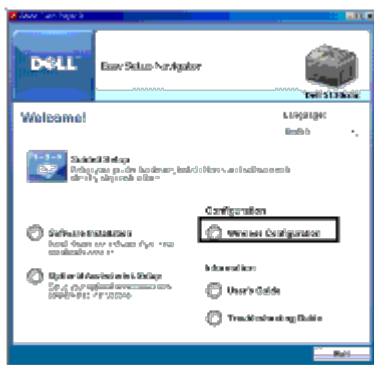
 **NOTE:** The optional wireless adapter must be installed on the printer.

 **NOTE:** For information on how to install a wireless adapter, see "[Installing a Wireless Adapter](#)."

Using Wizard Setup to Configure a Wireless Adapter

1. Insert the *Drivers and Utilities* CD provided with the printer in your computer. The **Easy Setup Navigator** file launches automatically.
2. Click the **Wireless Configuration** button on the **Easy Setup Navigator** window.

The **Wireless Configuration** window opens.




3. Select **Wizard** and click **Next**.

The instruction video starts.


4. Follow on-screen instructions until the **Wireless Setting Tool** button appears.
5. Click **Wireless Setting Tool**.

The **Wireless Setting Tool** starts.

6. Comments appear about connectivity. Click **Next**.

 **NOTE:** When the printer has already been connected, this screen does not appear. In addition, this screen will not change to the next screen until the printer is connected.

7. In the list on the **Select Printer** screen, select the wireless printer you want to set up, and then click **Next**.

 **NOTE:** When only one printer is connected through the USB, the **Select Printer** screen does not appear.

8. On the **Enter Wireless Network Settings** screen, enter your wireless settings, and then click **Next**.

9. On the **Select IP Mode** screen, select the IP mode you want to set up, and then click **Next**.

When IPv4 Only is selected:

On the **Enter IPv4 Address Settings** screen, select each setting, and then click **Send** to send the wireless settings to the printer.

When IPv6 Only is selected:

On the **Enter IPv6 Address Settings** screen, select each setting, and then click **Send** to send the wireless settings to the printer.

When Dual Stack (both IPv4 and IPv6) is selected:

- a. On the **Enter IPv4 Address Settings** screen, select each setting, and then click **Next**.
- b. On the **Enter IPv6 Address Settings** screen, select each setting, and then click **Send** to send the wireless settings to the printer.

10. On the **Complete Wireless Settings** screen, click **Next** to complete the wireless setup and close the Wireless Setting Tool.
Easy Setup Navigator restarts.
11. Follow on-screen instructions to finish configuring the wireless adapter.

Using Advanced Setup to Configure a Wireless Adapter

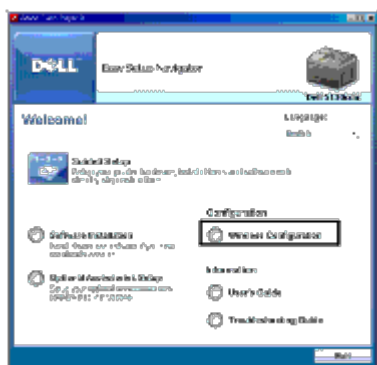
Select Advanced Setup to configure your wireless adapter with one of the following:

- Ethernet
- Operator Panel
- Dell Printer Configuration Web Tool
- WPS-PIN
- WPS-PBC
- USB

Ethernet

1. Insert the *Drivers and Utilities* CD provided with the printer in your computer. The **Easy Setup Navigator** file launches automatically.
2. Click the **Wireless Configuration** button on the **Easy Setup Navigator** window.

The **Wireless Configuration** window opens.



3. Select **Advanced**, and then click **Next**.
4. Select **Ethernet**, and then click **Next**.
The instruction video starts.
5. Follow on-screen instructions until the **Wireless Setting Tool** button appears.
6. Click **Wireless Setting Tool** to start wireless setup.
The Wireless Setting Tool starts.
7. If your printer is not listed on the **Select Printer** screen, click **Refresh** or **Enter IP Address**.
On the **Enter IP Address** screen, enter the existing IP address for the printer.
8. In the list on the **Select Printer** screen, select the wireless printer you want to setup, and then click **Next**.
9. On the **Enter Wireless Network Settings** screen, select each wireless setting, and then click **Next**.
10. On the **Select IP Mode** screen, select the IP mode you want, and then click **Next**.
When IPv4 Only is selected:

On the **Enter IPv4 Address Settings** screen, select each setting, and then click **Send** to send the wireless settings to the printer.

When IPv6 Only is selected:

On the **Enter IPv6 Address Settings** screen, select each setting, and then click **Send** to send the wireless settings to the printer.

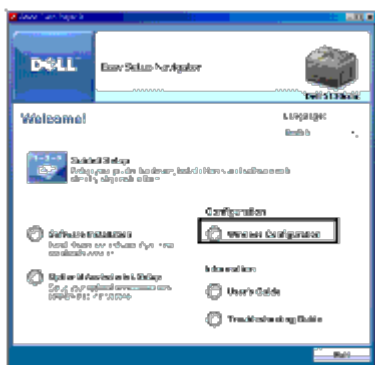
When Dual Stack (both IPv4 and IPv6) is selected:

- a. On the **Enter IPv4 Address Settings** screen, select each setting, and then click **Next**.
 - b. On the **Enter IPv6 Address Settings** screen, select each setting, and then click **Send** to send the wireless settings to the printer.
11. On the **Complete Wireless Settings** screen, click **Next** to complete the wireless setup and close the wireless setting tool.
Easy Setup Navigator restarts.
 12. Follow on-screen instructions to finish configuring the wireless adapter.

Operator Panel or Dell Printer Configuration Web Tool


1. Insert the *Drivers and Utilities* CD provided with the printer in your computer. The **Easy Setup Navigator** file launches automatically.
2. Click the **Wireless Configuration** button on the **Easy Setup Navigator** window.

The **Wireless Configuration** window opens.




3. Select **Advanced**, and then click **Next**.
4. Select **Operator Panel** or **Dell Printer Configuration Web Tool**, and then click **Next**.
The instruction video starts.
5. Follow on-screen instructions to finish configuring the wireless adapter.

WPS-PIN

 **NOTE:** WPS-PIN (Wi-Fi Protected setup-Personal Identification Number) is a method to authenticate and register devices required for wireless configuration, by entering PIN assignments to a printer and computer. This setting, performed through access point, is available only when the access points of your wireless router supports WPS.


1. Press the **Menu** button.
2. Press **✓** button until **Admin Menu** is highlighted, and then press **✓ (Set)** button.
3. Ensure **Network** is highlighted, and then press **✓ (Set)** button.
4. Press **✓** button until **Wireless Setup** is highlighted, and then press **✓ (Set)** button.
5. Press **✓** button until **WPS** is highlighted, and then press **✓ (Set)** button.

6. Press **✓** button until `PIN Code` is highlighted, and then press **✓ (Set)** button.
7. Write down the 8-digit PIN code displayed on the first line of the panel display or press **✓** button until `Print PIN Code` is highlighted, and then press **✓ (Set)** button.
The PIN code is printed.
8. Ensure `Start Configuration` is highlighted, and then press **✓ (Set)** button.
9. Ensure the message `Please wait Wireless Setting` is displayed, and then enter the PIN code displayed on the [Step 7](#) into the wireless LAN access point (Registrar).


 **NOTE:** For WPS operation on the wireless LAN access point, refer to the manual supplied with the wireless LAN access point.

10. When the WPS operation is successful and the printer is rebooted, wireless LAN connection is completed.

WPS-PBC

 **NOTE:** WPS-PBC (Wi-Fi Protected Setup-Push Button Configuration) is a method to authenticate and register devices required for wireless configuration, by pressing the button provided on the access point via wireless routers, and then performing WPS-PBC setting on the operator panel. This setting is available only when the access point supports WPS.

1. Press the **Menu** button.
2. Press **✓** button until `Admin Menu` is highlighted, and then press **✓ (Set)** button.
3. Ensure `Network` is highlighted, and then press **✓ (Set)** button.
4. Press **✓** button until `Wireless Setup` is highlighted, and then press **✓ (Set)** button.
5. Press **✓** button until `WPS` is highlighted, and then press **✓ (Set)** button.
6. Ensure `Push Button Control` is highlighted, and then press **✓ (Set)** button.
7. Press **✓** button until `PBC Start` is highlighted, and then press **✓ (Set)** button.
8. Press **✓** button until `Start` is highlighted, and then press **✓ (Set)** button.
9. Ensure the message `Please wait Wireless Setting` is displayed, and then start the WPS-PBC on the wireless LAN access point (Registrar), within two minutes of the [Step 8](#) operation.

 **NOTE:** For WPS operation on the wireless LAN access point, refer to the manual supplied with the wireless LAN access point.

10. When the WPS operation is successful and the printer is rebooted, wireless LAN connection is completed.


USB

1. Insert the *Drivers and Utilities CD* provided with the printer in your computer. The **Easy Setup Navigator** file launches automatically.
2. Click the **Wireless Configuration** button on the **Easy Setup Navigator** window.


The **Wireless Configuration** window opens.



3. Select **Advanced**, and then click **Next**.
4. Select **USB**, and then click **Next**.
The instruction video starts.
5. Follow on-screen instructions until the **Wireless Setting Tool** button appears.
6. Click **Wireless Setting Tool** to start wireless setup.
The Wireless Setting Tool starts.
7. Comments appear about connectivity. Click **Next**.

 **NOTE:** When the printer has already been connected, this screen does not appear. In addition, this screen will not change to the next screen until the printer is connected.

8. In the list on the **Select Printer** screen, select the wireless printer you want to setup, and then click **Next**.


 **NOTE:** When only one printer is connected through the USB, the **Select Printer** screen does not appear.

9. On the **Enter Wireless Network Settings** screen, select each wireless setting, and then click **Next**.
10. On the **Select IP Mode** screen, select the IP mode you want, and then click **Next**.
 - When IPv4 Only is selected:**
On the **Enter IPv4 Address Settings** screen, select each setting, and then click **Send** to send the wireless settings to the printer.
 - When IPv6 Only is selected:**
On the **Enter IPv6 Address Settings** screen, select each setting, and then click **Send** to send the wireless settings to the printer.
 - When Dual Stack (both IPv4 and IPv6) is selected:**
 - a. On the **Enter IPv4 Address Settings** screen, select each setting, and then click **Next**.
 - b. On the **Enter IPv6 Address Settings** screen, select each setting, and then click **Send** to send the wireless settings to the printer.
11. On the **Complete Wireless Settings** screen, click **Next** to complete the wireless setup and close the wireless setting tool.
Easy Setup Navigator restarts.
12. Follow on-screen instructions to finish configuring the wireless adapter.

Constructing a New Wireless Network Environment for Your Computer (When you need to setup your wireless connectivity with your computer)


For DHCP network:

1. Setting up your computer for wireless connectivity:

 **NOTE:** If your computer provides a wireless adapter tool, change the wireless settings using this tool. Or you can change the wireless settings using the tool provided with the operating system. See the instructions below.

For Windows XP and Windows Server 2003:

- a. Select **Network Connections** from Control Panel.
- b. Right-click **Wireless Network Connection** and select **Properties**.
- c. Select the **Wireless Networks** tab.
- d. Ensure the check box for **Use Windows to configure my wireless network settings** is checked.

 **NOTE:** Be sure to write down the current wireless computer settings in [Step e](#) and [Step g](#) so that you can restore them later.

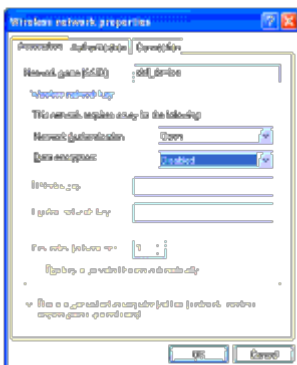
- e. Click the **Advanced** button.
- f. Select **Computer to Computer (ad hoc) networks only** and close the **Advanced** dialog box.
- g. Click the **Add** button to display **Wireless network properties**.
- h. Under the **Association** tab, enter the following information and click **OK**.

Network name (SSID): dell_device


Network Authentication: Open

Data encryption: Disabled

Ad hoc network: checked



- i. Click the **Move up** button to move the newly added SSID to the top of the list.
- j. Click **OK** to close the **Property** dialog box.

 **NOTE:** When your operating system is earlier than Windows 2000, select your settings according to the instructions in the manual of the wireless setting tool provided by your wireless device manufacturer.

For Windows Vista:

- a. Open **Control Panel**.
- b. Select **Network and Internet**.
- c. Select **Network and Sharing Center**.
- d. Select **Connect to a network**.
- e. Select **dell_device** from the network items listed in **Connect to a network**.
- f. Select **Connect Anyway** in the warning dialog box indicating you are entering an unsecured area.
- g. Click **Close** in the dialog box after confirming the connection is a success.

For Windows Server 2008:

- a. Open **Control Panel**.
- b. Select **Network and Sharing Center**.
- c. Select **Connect to a network**.
- d. Select **dell_device** from the network items listed in **Connect to a network**.
- e. Select **Connect Anyway** in the warning dialog box indicating you are entering an unsecured area.
- f. Click **Close** in the dialog box after confirming the connection is a success.

For Windows Server 2008 R2 and Windows 7:

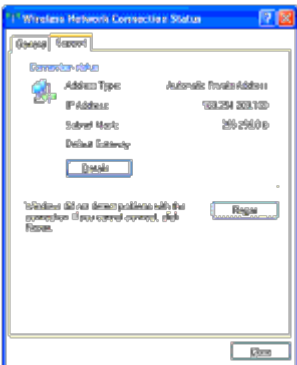
- a. Open **Control Panel**.
- b. Select **Network and Internet**.
- c. Select **Network and Sharing Center**.
- d. Select **Connect to a network**.
- e. Select **dell_device** from the network items listed in the available network list, and click **Connect**.

2. Check the IP address assigned by AutoIP on the printer.

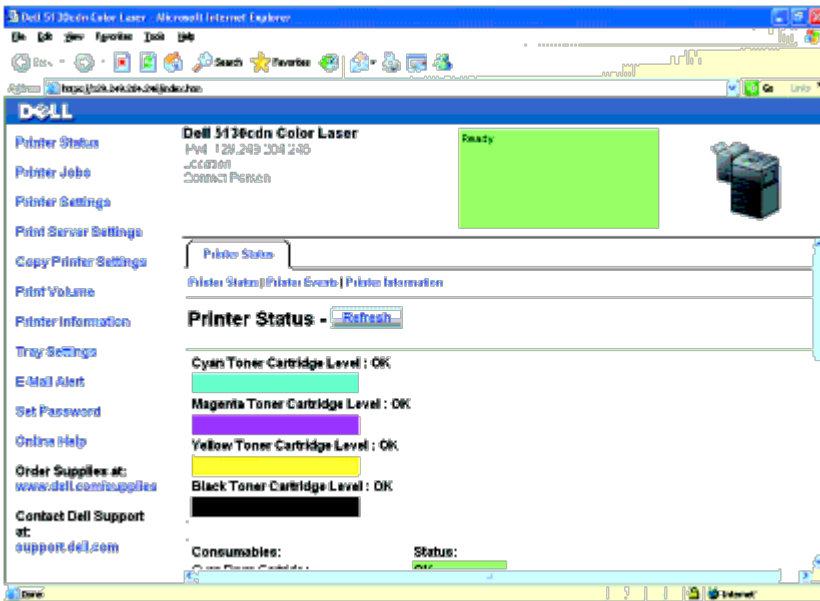
- a. Press **Menu** on the printer control panel.
- b. Scroll down and select **Admin Menu**.
- c. Scroll down and select **Network**.
- d. Scroll down and select **TCP/IP**.
- e. Scroll down and select **IPv4**.
- f. Scroll down and select **IP Address**.
(Default IP address range: 169.254.xxx.yyy)

IP Address
169.254.000.041*


3. Check that the IP address on your computer is assigned by DHCP.



4. Open **Dell Printer Configuration Web Tool** using the WEB browser.



5. Create wireless setting of the printer on **Dell Printer Configuration Web Tool**.
6. Reboot the printer.
7. Restore the wireless settings on your computer.

 **NOTE:** If your computer provides a wireless adapter tool, change the wireless settings using this tool. Or you can change the wireless settings using the tool provided with the operating system. See the instructions below.

For Windows XP and Windows Server 2003:

- a. Select **Network Connections** from Control Panel.
- b. Right-click **Wireless Network Connection** and select **Properties**.
- c. Select **Wireless Network** tab.
- d. Ensure the check box for **Use Windows to configure my wireless network settings** is checked.
- e. Click **Advanced**.
- f. Do either of the following:


When wireless ad-hoc mode is set to the printer:

Select **Computer to Computer (ad hoc) networks only** and close the **Advanced** dialog box.

When wireless infrastructure mode is set to the printer:

Select **Access point (Infrastructure) networks only** and close the **Advanced** dialog box.

- g. Click **Add** to display **Wireless network properties**.
- h. Enter the setting that you will send to the printer and click **OK**.
- i. Click **Move up** to move the setting to the top of the list.
- j. Click **OK** to close the **Property** dialog box.

 **NOTE:** When your operating system is earlier than Windows 2000, select your settings according to the instructions in the manual of the wireless settings tool provided by your wireless device manufacturer.

For Windows Vista:

- a. Open **Control Panel**.
- b. Select **Network and Internet**.

- c. Select **Network and Sharing Center**.
- d. Select **Connect to a network**.
- e. Select the setting you send to the printer from the network items listed in **Connect to a network**.
- f. Select **Connect Anyway** in the warning dialog box indicating you are entering an unsecured area.
- g. Click **Close** in the dialog box after confirming the connection is a success.

For Windows Server 2008:


- a. Open **Control Panel**.
- b. Select **Network and Sharing Center**.
- c. Select **Connect to a network**.
- d. Select the setting you send to the printer from the network items listed in **Connect to a network**.
- e. Select **Connect Anyway** in the warning dialog box indicating you are entering an unsecured area.
- f. Click **Close** in the dialog box after confirming the connection is a success.

For Windows Server 2008 R2 and Windows 7:

- a. Open **Control Panel**.
- b. Select **Network and Internet**.
- c. Select **Network and Sharing Center**.
- d. Select **Connect to a network**.
- e. Select the setting you send to the printer from the network items listed in the available network list, and click **Connect**.
- f. Enter the **Security key** and click **OK**, if necessary.


For Fixed IP networks:

1. Setting up your computer for wireless connectivity:

 **NOTE:** If your computer provides a wireless adapter tool, change the wireless settings using this tool. Or you can change the wireless settings using the tool provided with the operating system. See the instructions below.

For Windows XP and Windows Server 2003:

- a. Select **Network Connections** from Control Panel.
- b. Right-click **Wireless Network Connection** and select **Properties**.
- c. Select the **Wireless Networks** tab.
- d. Ensure the check box for **Use Windows to configure my wireless network settings** is checked.

 **NOTE:** Be sure to write down the current wireless computer settings in [Step d](#) and [Step f](#) so that you can restore them later.

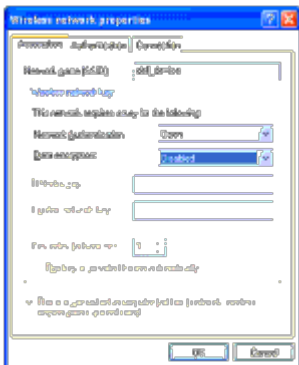
- e. Click the **Advanced** button.
- f. Select **Computer to Computer (ad hoc) networks only** and close the **Advanced** dialog box.
- g. Click the **Add** button to display **Wireless network properties**.
- h. Under the **Association** tab, enter the following information and click **OK**.

Network name (SSID): dell_device


Network Authentication: Open

Data encryption: Disabled

Ad hoc network: checked



- i. Click the **Move up** button to move the newly added SSID to the top of the list.
- j. Click **OK** to close the **Property** dialog box.

 **NOTE:** When your operating system is earlier than Windows 2000, select your settings according to the instructions in the manual of the wireless settings tool provided by your wireless device manufacturer.

For Windows Vista:

- a. Open **Control Panel**.
- b. Select **Network and Internet**.
- c. Select **Network and Sharing Center**.
- d. Select **Connect to a network**.
- e. Select **dell_device** from the network items listed in **Connect to a network**.
- f. Select **Connect Anyway** in the warning dialog box indicating you are entering an unsecured area.
- g. Click **Close** in the dialog box after confirming the connection is a success.

For Windows Server 2008:

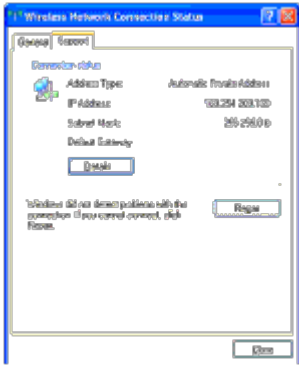
- a. Open **Control Panel**.
- b. Select **Network and Sharing Center**.
- c. Select **Connect to a network**.
- d. Select **dell_device** from the network items listed in **Connect to a network**.
- e. Select **Connect Anyway** in the warning dialog box indicating you are entering an unsecured area.
- f. Click **Close** in the dialog box after confirming the connection is a success.

For Windows Server 2008 R2 and Windows 7:

- a. Open **Control Panel**.
- b. Select **Network and Internet**.
- c. Select **Network and Sharing Center**.
- d. Select **Connect to a network**.

e. Select **dell_device** from the network items listed in the available network list, and click **Connect**.

2. Check the IP address on your computer.

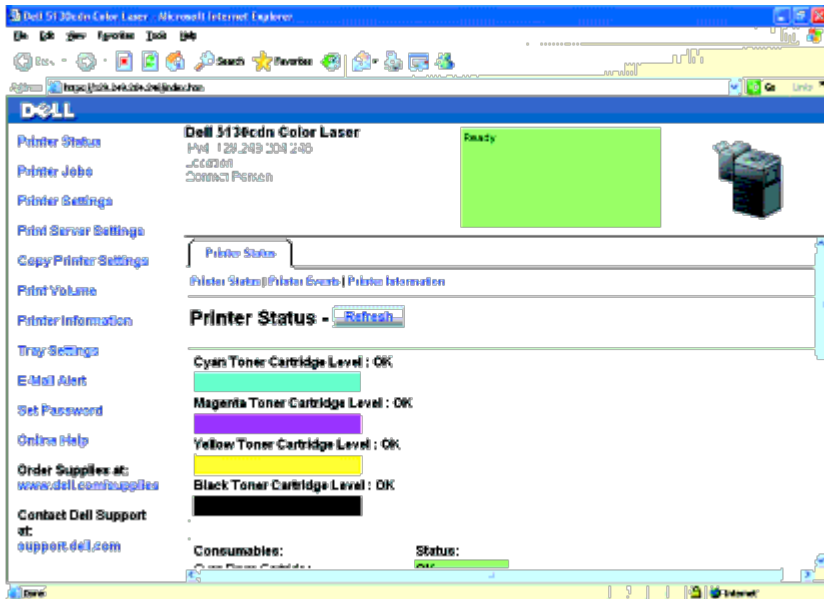


3. Set the IP address on the printer.

- a. Press **Menu** button.
- b. Scroll to **Admin** menu.
- c. Select **Network**.
- d. Select **TCP/IP**.
- e. Select **Get IP Address**.
- f. Select **Panel**.
- g. Scroll back to **IP Address**.
- h. Manually enter the IP address using the directional buttons on the control panel and press enter button.

IP Address
172.031.000.041*


4. Open **Dell Printer Configuration Web Tool** using the WEB browser.



5. Change the wireless setting of the printer on **Dell Printer Configuration Web Tool**.

6. Reboot the printer.

7. Restore the wireless settings on your computer.

 **NOTE:** If your computer provides a wireless adapter tool, change the wireless settings using this tool. Or you can change the wireless settings using the tool provided with the operating system. See the instructions below.

For Windows XP and Windows Server 2003:

- a. Select **Network Connections** from Control Panel.
- b. Right-click **Wireless Network Connection** and select **Properties**.
- c. Select **Wireless Network** tab.
- d. Ensure the check box for **Use Windows to configure my wireless network settings** is checked.
- e. Click **Advanced**.
- f. Do either of the following:


When wireless ad-hoc mode is set to the printer:

Select **Computer to Computer (ad hoc) networks only** and close the **Advanced** dialog box.

When wireless infrastructure mode is set to the printer:

Select **Access point (Infrastructure) networks only** and close the **Advanced** dialog box.

- g. Click **Add** to display **Wireless network properties**.
- h. Enter the setting that you will send to the printer and click **OK**.
- i. Click **Move up** to move the setting to the top of the list.
- j. Click **OK** to close the **Property** dialog box.

 **NOTE:** When your operating system is earlier than Windows 2000, select your settings according to the instructions in the manual of the wireless settings tool provided by your wireless device manufacturer.

For Windows Vista:

- a. Open **Control Panel**.
- b. Select **Network and Internet**.
- c. Select **Network and Sharing Center**.
- d. Select **Connect to a network**.
- e. Select the setting you send to the printer from the network items listed in **Connect to a network**.
- f. Select **Connect Anyway** in the warning dialog box indicating you are entering an unsecured area.
- g. Click **Close** in the dialog box after confirming the connection is a success.

For Windows Server 2008:

- a. Open **Control Panel**.
- b. Select **Network and Sharing Center**.
- c. Select **Connect to a network**.
- d. Select the setting you send to the printer from the network items listed in **Connect to a network**.
- e. Select **Connect Anyway** in the warning dialog box indicating you are entering an unsecured area.
- f. Click **Close** in the dialog box after confirming the connection is a success.

For Windows Server 2008 R2 and Windows 7:

- a. Open **Control Panel**.

- b. Select **Network and Internet**.
 - c. Select **Network and Sharing Center**.
 - d. Select **Connect to a network**.
 - e. Select the setting you send to the printer from the network items listed in the available network list, and click **Connect**.
 - f. Enter the **Security key** and click **OK**, if necessary.
-

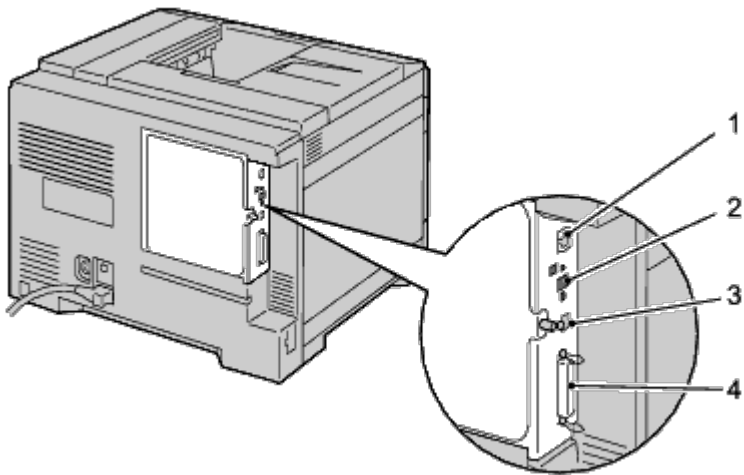
[Back to Contents Page](#)





Connect Printer to Computer or Network

- [Connect Printer to Computer or Network](#)
- [Print and Check the Printer Settings Page](#)
- [Assign an IP Address](#)
- [Verify the IP Settings](#)
- [Using the Reset Button](#)

Your Dell™ 5130cdn Color Laser Printer interconnection cable must meet the following requirements:

Connection type	Connection specifications
Ethernet	10 Base-T/100 Base-TX/1000 Base-T
Wireless	IEEE802.11b/802.11g/802.11n
USB	USB 2.0
Parallel	IEEE 1284



1	Ethernet Port	
2	Wireless Adapter Socket	
3	USB Port	
4	Parallel Port	

Connect Printer to Computer or Network

Direct Connection

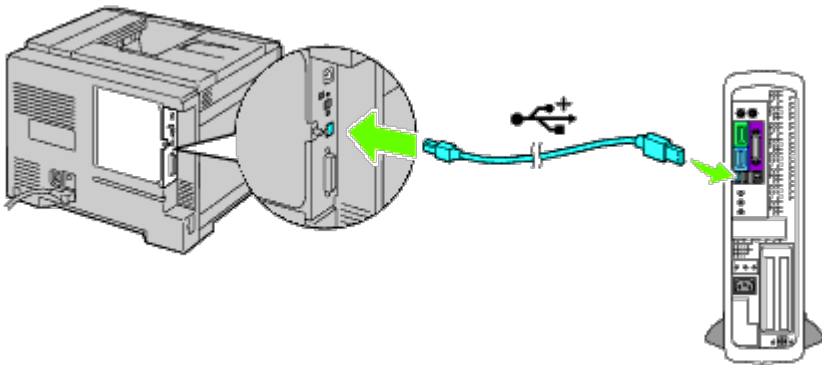
A local printer is a printer attached to your computer using a USB or parallel cable. If your printer is attached to a network instead of your computer, skip this section and go to "[Network Connection](#)."

USB Cable

Microsoft® Windows® 2000, Windows XP, Windows XP 64-bit Edition, Windows Server® 2003, Windows Server 2003 x64 Edition, Windows Server 2008, Windows Server 2008 64-bit Edition, Windows Server 2008 R2 64-bit Edition, Windows Vista®, Windows Vista 64-bit Edition, Windows 7, Windows 7 64-bit Edition and Mac OS® X or later operating systems support USB connections. Some UNIX® and Linux computers also support USB connections. See your computer operating system documentation to see if your system supports USB.

To attach the printer to a computer:

1. Ensure that the printer, computer, and any other attached devices are turned off and unplugged from the power source/outlet.
2. Connect the smaller USB connector into the USB port on the back of the printer.



3. Ensure that you match the USB symbol on the cable to the USB symbol on the printer.
4. Connect the other end of the cable into a USB port of the computer.

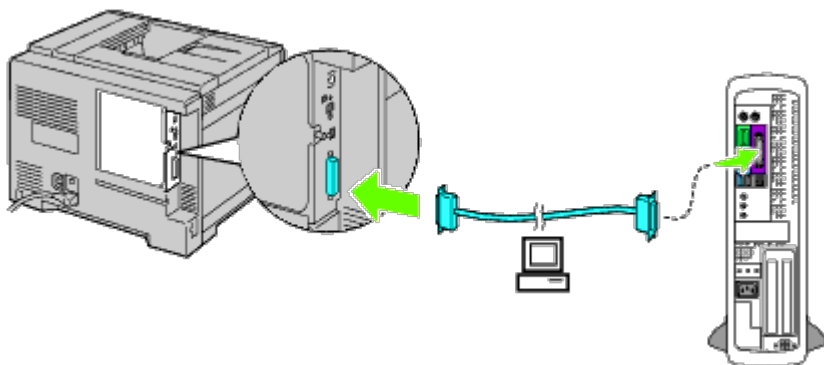
➡ **NOTICE:** Do not connect a USB cable for printers into the USB keyboard.

Parallel Cable

A parallel port requires a parallel cable.

To attach the printer to a computer:

1. Ensure that the printer, computer, and any other attached devices are turned off and unplugged from the power source/outlet.
2. Connect the parallel connector into the parallel cable port on the back of the printer.

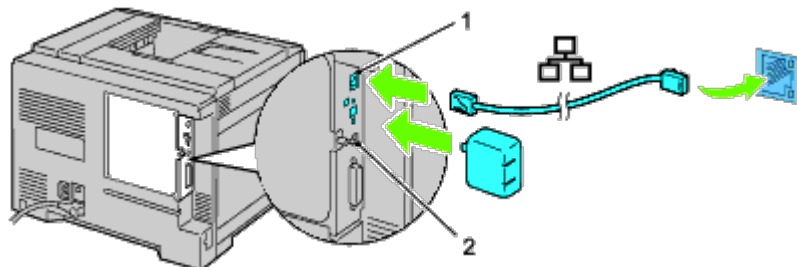


3. Ensure that you match the parallel symbol on the cable to the parallel symbol on the printer.
4. Secure the fastening clips of the parallel cable.
5. Plug the other end of the cable into a parallel port on the back of the computer.


Network Connection

To attach the printer to a network:

1. Ensure that the printer, computer and any other connected devices have been turned off and all cables have been disconnected.
2. Connect the network cable or wireless adaptor.



1	Ethernet Port
2	Wireless Adapter Socket

 **NOTE:** To use the wireless adapter, be sure to disconnect the network cable.



To connect the printer to the network, plug one end of an Ethernet cable into the Ethernet port on the back of the printer, and the other end into a LAN drop or hub. For a wireless connection, insert the wireless adapter into the wireless adapter socket on the back of the printer.

For a wireless connection, refer to "[Installing a Wireless Adapter.](#)"

Print and Check the Printer Settings Page

Print the printer settings page.

When Using the Operator Panel

1. Press **Menu** button.
2. Ensure **Report/List** is highlighted, and then press  **(Set)** button.
3. **Printer Setting** is displayed. Press  **(Set)** button.

The printer settings page is printed.

4. If the IP address shows anything other than 0.0.0.0 (the factory default) or 169.254.xx.xx, the printer has an IP address assigned and stored. Go to "[Verify the IP Settings.](#)"


When Using the Dell™ Printer Configuration Web Tool

1. Enter the IP address of your printer into the web browser.
If you do not know how to launch the Dell Printer Configuration Web Tool, see "[Dell Printer Configuration Web Tool.](#)"
The Dell Printer Configuration Tool opens.
2. Select **Printer Settings**.
3. Click the **Printer Settings Report** tab.

4. Select **Reports**.
5. Click the **Start** button in the **Printer Settings**.


The printer settings report is printed.


Assign an IP Address

 **NOTE:** When you assign an IP address manually in **IPv6 Mode**, use the **Dell Printer Configuration Web Tool**. To open the **Dell Printer Configuration Web Tool**, use the link local address. (To check a link local address, see "[Print and Check the Printer Settings Page](#).")

An IP address is a unique number that consists of four sections that are delimited by a period and can include up to three digits in each section, for example, 111.222.33.44.

Assigning an IP address already in use can cause network performance issues.

 **NOTE:** Assigning an IP address is considered as an advanced function and is normally done by a system administrator.













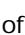


 **NOTE:** Depending on the address class, the range of the IP address assigned may be different. On Class A, for example, an IP address in the range from 0.0.0.0 to 127.255.255.255 will be assigned. For assignment of IP addresses, contact your system administrator.

When Using the Operator Panel





For more information on using your operator panel, see "[Operator Panel](#)."

1. Turn on the printer.

The Ready to Print appears.

2. Press **Menu** button.
3. Press  button until `Admin Menu` is highlighted, and then press  (**Set**) button.
4. Ensure `Network` is highlighted, and then press  (**Set**) button.
5. Press  button until `TCP/IP` appears, and then press  (**Set**) button.
6. Press  button until `IPv4` is highlighted, and then press  (**Set**) button.
7. Ensure `Get IP Address` is highlighted, and then press  (**Set**) button.
8. Press  button until `Panel` is highlighted, and then press  (**Set**) button.
9. Press  button until `IP Address` is highlighted, and then press  (**Set**) button.
10. The first digit of the IP address is highlighted. Press  or  button to enter the numbers for the IP address.
11. Press  button.

The next digit is highlighted.

12. Repeat [Step 8](#) and [Step 9](#) to enter all of the digits in the IP address, and then press  (**Set**) button.
13. Press  button until `Subnet Mask` is highlighted, and then press  (**Set**) button.
14. Repeat [Step 8](#) to [Step 9](#) to set Subnet Mask, and then press  (**Set**) button.

15. Press **✓** button until **Gateway Address** is highlighted, and then press **✓ (Set)** button.
16. Repeat [Step 8](#) to [Step 9](#) to set **Gateway Address**, and then press **✓ (Set)** button.
17. Turn off the printer, and then turn it on again.

When Using the Dell Printer Configuration Web Tool (for IPv4 Mode)

1. Enter the IP address of your printer into the web browser.
If you do not know how to launch the **Dell Printer Configuration Web Tool**, see "[Dell Printer Configuration Web Tool](#)."
The **Dell Printer Configuration Web Tool** opens.
2. Select **Print Server Settings**.
3. Click the **Print Server Reports** tab.
TCP/IP Settings page opens.
4. Select **mode from IP Mode**.
5. Select **IP Address Mode**.
6. Enter the addresses in **IP Address**, **Manual Subnet Mask**, and **Manual Gateway Address**.

When Using the Dell Printer Configuration Web Tool (for IPv6 Mode)

1. Enter the IP address of your printer into the web browser.
If you do not know how to launch the **Dell Printer Configuration Web Tool**, see "[Dell Printer Configuration Web Tool](#)."
The **Dell Printer Configuration Web Tool** opens.
2. Select **Print Server Settings**.
3. Click the **Print Server Reports** tab.
TCP/IP Settings page opens.
4. Enter the IP addresses.
 - When enabling the Stateless addresses:
Select the check box for **Enable Stateless Address to automatically configure IP addresses**.
 - **When entering the addresses manually:**
Select the check box for **Use Manual Address**, and then enter the addresses in **Manual Address** and **Manual Gateway Address** respectively.

You can also assign the IP address to the printer when installing the printer drivers with installer. When you use the **Network Installation** feature, and the **Get IP Address** is set to **AutoIP** on the operator panel menu, you can set the IP address from 0.0.0.0 to the desired IP address on the printer selection window.

Verify the IP Settings

1. Print another printer settings page.
2. Look under the **TCP/IP** heading on the printer settings page to ensure that the IP address, subnet mask, and gateway are what you expected.

or

Ping the printer and verify that it responds. For example, at a command prompt on a network computer, type ping followed by the new IP address (for example, 192.168.0.11):

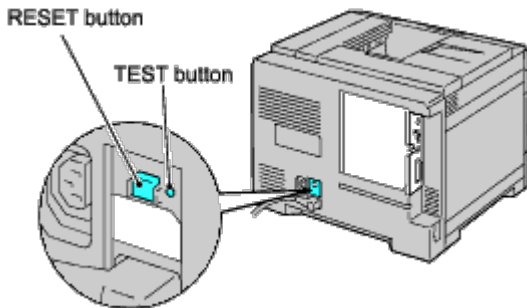
```
ping 192.168.0.11
```

If the printer is active on the network, you will receive a reply.

Using the Reset Button

Your printer is supplied with an electric leakage detector, which prevents electric shock or fire due to electric leakage by automatically cutting circuits inside the printer.

When electric leakage is detected, the **RESET** button is tripped. In this case, press the **RESET** button to turn the printer back on. If the **RESET** button trips again after pressing the **RESET** button, contact Dell.



Check whether or not the electric leakage detector is functioning at least once a month by following the steps below:

1. Turn on the printer, and then press the **TEST** button.
 - If the **RESET** button is tripped and the printer is turned off, the electric leakage detector functions correctly. Press the **RESET** button to turn the printer back on.
 - If the **RESET** button is not tripped, contact Dell. Do not continue to use the printer if the electric leakage detector is not functioning.

[Back to Contents Page](#)

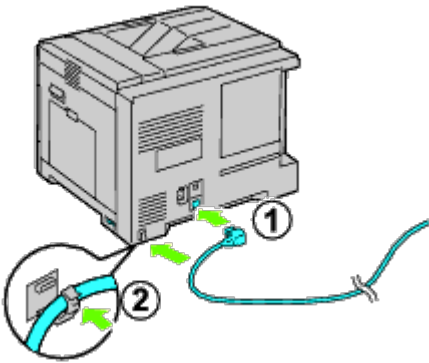
Perform Initial Settings

- [Turning On the Printer](#)
- [Set Initial Settings on the Operator Panel](#)

Turning On the Printer

The connection port for the power cable is at the lower left on the back of the printer.

1. Connect the power cable to the printer. Then, fix the power cable on the printer with the plastic fastener.



- ⚠ **CAUTION:** Do not use extension cords or power strips.
- ⚠ **CAUTION:** The printer should not be plugged into a UPS system.

2. Connect the other end of the cable to the power source.
3. Turn on the printer.
4. Follow the on-screen instructions in the operator panel to configure the initial settings of your printer.

Set Initial Settings on the Operator Panel

You need to set the printer language, clock date, and time when you turn on printer for the first time.

When you turn the printer on, the wizard screen to perform the initial setup appears on the operator panel. Follow the steps below to set the initial settings.

- 📎 **NOTE:** If you do not start configuring the initial settings, *Ready to Print* appears on the operator panel in three minutes. After that, you can set the following initial setup by enabling Power on Wizard on the operator panel or **Dell™ Printer Configuration Web Tool** if needed. For more information on operator panel, see "[Understanding the Printer Menus.](#)"

For more information on Dell Printer Configuration Web Tool, see "[Dell Printer Configuration Web Tool.](#)"

1. Ensure Panel Language is highlighted, and then press ✓ **(Set)** button. Determine the language of the text on the operator panel, and then press ✓ **(Set)** button.

English
Français
Italiano

Deutsch
Español
Dansk
Nederlands
Norsk
Svenska

2. Set Time Zone appears. Specify the time zone, and then press ✓ (Set) button.

- Select a time zone from the drop-down list:

UTC - 12:00	-
UTC - 11:00	UNITED STATES
UTC - 10:00	UNITED STATES
UTC - 09:00	UNITED STATES
UTC - 08:00	CANADA, UNITED STATES, MEXICO
UTC - 07:00	CANADA, UNITED STATES, MEXICO
UTC - 06:00	CANADA, UNITED STATES, MEXICO
UTC - 05:00	BRAZIL, CANADA, UNITED STATES, COLOMBIA
UTC - 04:00	BRAZIL, CANADA, PURETO RICO, TRINIDAD AND TOBAGO
UTC - 03:30	BRAZIL, CANADA
UTC - 03:00	BRAZIL
UTC - 02:00	BRAZIL
UTC - 01:00	ALGERIA, AUSTRIA, BELGIUM, DENMARK
UTC 00:00	ICELAND, IRELAND, MOROCCO, PORTUGAL, UNITED KINGDOM, IVORY COAST
UTC +01:00	DENMARK, CZECH REPUBLIC, FRANCE, GERMANY, HUNGARY, ITALY, LIECHTENSTEIN, LUXEMBOURG, MALTA, NETHERLANDS, NORWAY, POLAND, SLOVAKIA, SLOVENIA, SPAIN, SWEDEN, SWITZERLAND, TUNISIA,
UTC +02:00	BULGARIA, CYPRUS, EGYPT, ESTONIA, FINLAND, GREECE, ISRAEL, JORDAN, LATVIA, LEBANON, LITHUANIA, ROMANIA, SOUTH AFRICA, TURKEY, RUSSIAN FEDERATION
UTC +03:00	KUWAIT, QATAR, SAUDI ARABIA, TURKEY, BAHRAIN, IRAQ, RUSSIAN FEDERATION
UTC +03:30	RUSSIAN FEDERATION
UTC +04:00	RUSSIAN FEDERATION, OMAN, UNITED ARAB EMIRATES
UTC +04:30	RUSSIAN FEDERATION, AFGHANISTAN
UTC	RUSSIAN FEDERATION

+05:00	
UTC +05:30	RUSSIAN FEDERATION
UTC +05:45	RUSSIAN FEDERATION
UTC +06:00	RUSSIAN FEDERATION
UTC +06:30	RUSSIAN FEDERATION
UTC +07:00	RUSSIAN FEDERATION
UTC +08:00	RUSSIAN FEDERATION, PHILIPPINES, SINGAPORE, AUSTRALIA
UTC +09:00	RUSSIAN FEDERATION, JAPAN, SOUTH KOREA
UTC +09:30	RUSSIAN FEDERATION, AUSTRALIA
UTC +10:00	RUSSIAN FEDERATION, AUSTRALIA
UTC +11:00	RUSSIAN FEDERATION
UTC +12:00	RUSSIAN FEDERATION, NEW ZEALAND
UTC +13:00	-

3. `Date Format` appears. Specify the date format, and then press ✓ **(Set)** button.
4. `Time Format` appears. Specify the time format, and then press ✓ **(Set)** button.
5. `Set Date` appears. Specify the current date, and then press ✓ **(Set)** button.
6. `Set Time` appears. Specify the current time, and then press ✓ **(Set)** button.
7. `Exit Menu` appears. Select **Start** to exit initial settings menu.

The printer automatically restarts after resetting your regional clock.

[Back to Contents Page](#)



Install Printer Drivers on the Windows Computers

- [Identify Printer Driver Pre-install Status](#)
- [Insert the Drivers and Utility CD](#)
- [Direct Connection Setup](#)
- [Network Connection Setup](#)
- [Setting Up for Shared Printing](#)
- [Setup Security](#)
- [Troubleshooting Instructions](#)

Identify Printer Driver Pre-install Status

Before installing the printer driver on your computer, print the printer settings page to check your printer's IP address.

When Using the Operator Panel

1. Press **Menu** button.
2. Ensure **Report/List** is highlighted, and then press  (**Set**) button.
3. **Printer Settings** is displayed, and then Press  (**Set**) button.


The printer settings page is printed.

4. Look under the **TCP/IP** heading on the printer settings page.


If the IP address is 0.0.0.0, wait for a few minutes to resolve the IP address automatically, and then print the printer settings page again.

If the IP address is not resolved automatically, refer to "[Assign an IP Address](#)."

Disable Microsoft® Windows® XP, Windows Server® 2008, Windows Server 2008 R2, Windows Vista®, or Windows 7 Firewall Before Installing Printer Software

 **NOTE:** This step is necessary if you have Windows XP Service Pack 2 or 3 installed.

If your printer is connected directly to a network and the Windows 7, Windows Vista, Windows Server 2008 R2, Windows Server 2008, or Windows XP firewall is enabled, you cannot view your networked printer(s) when you run the Dell™ printer installation software. To prevent this situation, disable the Windows 7, Windows Vista, Windows Server 2008 R2, Windows Server 2008, or Windows XP firewall before you install the Dell printer software. To disable or enable your Windows 7, Windows Vista, Windows Server 2008 R2, Windows Server 2008, or Windows XP firewall, perform the following steps.

 **NOTICE:** It is recommended that you enable your Windows 7, Windows Vista, Windows Server 2008 R2, Windows Server 2008, or Windows XP firewall after you install the printer software. Enabling the Windows 7, Windows Vista, Windows Server 2008 R2, Windows Server 2008, or Windows XP firewall after you install the printer software does not limit the use of your printer.

1. Click the **start** button and click **Help and Support**.


 **NOTE:** For Windows Server 2008 R2 and Windows 7, if you use **Online Help**, switch to **Offline Help** on **Windows Help and Support** window.

2. In the **Search** box, type **firewall** and then press **Enter**.

In the list, click **Turn Windows Firewall on or off** and then follow the instructions on the screen.

Insert the Drivers and Utility CD


1. Insert the *Drivers and Utilities* CD into your computer to start **Easy Setup Navigator**.

 **NOTE:** If the CD does not automatically launch, click **start**® **All Programs** (for Windows Vista and Windows 7)® **Accessories** (for Windows Vista and Windows 7)® **Run**, and then type `D:\setup_assist.exe` (where D is the drive letter of your CD), and then click **OK**.

Direct Connection Setup

For installing PS and PCL printer driver

1. Click **Software Installation** to launch the installation software.
2. Select **Personal Installation**, and then click **Next**.
3. Follow the on-screen instructions to connect the computer and the printer with a USB cable, and then turn the printer on. The Plug and Play installation starts and the installation software proceeds to the next page automatically.


 **NOTE:** If the installation software does not automatically proceed to the next page, click **Install**.

4. Select either **Typical Installation** or **Custom Installation** from the installation wizard, and then click **Install**. If you select **Custom Installation**, you can select the specific software you want to install.
5. Click **Finish** to exit the wizard when the **Congratulations!** screen appears. If necessary, click **Print Test Page** to print a test page.


USB Printing

A personal printer is a printer attached to your computer or a print server using a USB. If your printer is attached to a network and not your computer, see "[Network Connection Setup](#)."

For installing XPS printer driver


 **NOTE:** XPS driver is supported on the following operating systems: Windows 7, Windows 7 x64, Windows Vista, Windows Vista x64, Windows Server 2008 R2 x64, Windows Server 2008, and Windows Server 2008 x64.


1. Uncompress the following folder on the desktop, etc.
D:\Drivers\XPS\Win_VistaXP2K\XPS_5130.zip (where D is the drive letter of your CD)
2. Click **Start** ® **Control Panel** ® **Hardware and Sound** (only for Windows Vista) ® **Printers**.
3. Click **Add a printer** to launch the Add Printer wizard.
4. Click **Add a local printer**.
5. Select the port connected to this product and click **Next**.
6. Specify the printer model. Click **Have Disk** to display the **Install From Disk** dialog box.
7. Select the folder uncompressed in step 1.
8. A dialog box to specify printer name is displayed. To change the printer name, enter the printer name in the **Printer name** box. To use this printer as the default printer, check on the check box displayed under the **Printer name**.
9. Installation starts. If the **User Account Control Continue** dialog box appears asking whether to continue the installation in the middle of installation, click **Continue**.

 **NOTE:** Depending on User's right, which you logged in with, Administrator name and password may be required. In that case, enter the Administrator name and password.

10. The driver installation is completed. If necessary, click **Print Test Page** to print a test page.

Network Connection Setup

 **NOTE:** To use this printer in a UNIX or Linux environment, you need to install a UX Filter or Linux Driver. For more information on how to install and use these, see "[Printing With UX Filter \(UNIX\)](#)" and "[Printing With CUPS \(Linux\)](#)."

 **NOTE:** When using a CD drive in a Linux environment, you need to mount the CD according to your system environment. The command strings are `mount/media/cdrom`.


Network Printer Setup on a Local Network

For installing PS and PCL printer driver

1. Click **Software Installation** to launch the installation software.
2. Select **Network Installation**, and then click **Next**.
3. Select **Local Installation**, and then click **Next**.
4. Select the printer you want to install from the printer list, and then click **Next**. If the target printer is not displayed on the list, click **Refresh** to refresh the list or click **Add Printer** to add a printer to the list manually. You may specify the IP address and port name at this point.

If you have installed this printer on the server computer, select the **I am setting up this printer on a server** check box.


 **NOTE:** When using AutoIP, 0.0.0.0 is displayed in the installer. Before you can continue, you must enter a valid IP address.

 **NOTE:** In some cases, **Windows Security Alert** is displayed in this step when you use Windows Vista, Windows Vista 64-bit Edition, Windows Server 2008, Windows Server 2008 64-bit Edition, Windows Server 2008 R2 64-bit Edition, Windows 7, or Windows 7 64-bit Edition. In this case, select **Unblock (Allow access for Windows Server 2008 R2 and Windows 7)**, and then continue the procedure.


5. Specify the printer settings, and then click **Next**.
 - a. Enter the printer name.
 - b. If you want other users on the network to access this printer, select **Share this printer with other computers on the network**, and then enter a share name that users will easily identify.
 - c. If you want to set a printer as the default, select the **Set this printer as default** check box.
 - d. If you want to restrict color printing, select the appropriate **Dell ColorTrack** option. Enter the password when **Color-Password Enabled** is selected for **Dell ColorTrack**.

- e. If you want to install the PostScript driver, select the **PostScript Driver** check box.
6. Select the software and documentation you want to install, and then click **Next**. You can specify folders in which to install the Dell software and documentation. To change the folders, click **Browse**.
7. Click **Finish** to exit the wizard when the **Congratulations!** screen appears. If necessary, click **Print Test Page** to print a test page.

For installing XPS printer driver

 **NOTE:** XPS driver is supported on the following operating systems: Windows 7, Windows 7 x64, Windows Vista, Windows Vista x64, Windows Server 2008 R2 x64, Windows Server 2008, and Windows Server 2008 x64.

1. Uncompress the following folder on the desktop, etc.
D:\Drivers\XPS\Win_VistaXP2K\XPS_5130.zip (where D is the drive letter of your CD)
2. Click **start** ® **Control Panel** ® **Hardware and Sound** (only for Windows Vista) ® **Printers**.
3. Click **Add a printer** to launch the Add Printer wizard.
4. Click **Add a network, wireless or Bluetooth printer**.
5. Specify the printer name. Select printer or click **The printer that I want isn't listed** and enter the name of the printer to be connected.
6. Select **Add a printer using a TCP/IP address or Hostname**, and then select **Standard TCP/IP Port** from **Create a new port**. Click **Next**.
7. Enter the IP address for the printer into **Hostname or IP address** and click **Next**.
8. Specify the printer model. Click **Have Disk** to display the **Install From Disk** dialog box.
9. Select the folder uncompressed in step 1.
10. A dialog box to specify printer name is displayed. To change the printer name, enter the printer name in the **Printer name** box. To use this printer as the default printer, check on the check box displayed under the **Printer name**.
11. Installation starts. If the **User Account Control Continue** dialog box appears asking whether to continue the installation in the middle of installation, click **Continue**.

 **NOTE:** Depending on User's right, which you logged in with, Administrator name and password may be required. In that case, enter the Administrator name and password.

12. The driver installation is completed. If necessary, click **Print Test Page** to print a test page.

Use the **Dell Printer Configuration Web Tool** to monitor the status of your network printer without leaving your desk. You can view and/or change the printer configuration settings, monitor toner level, and when it is time to order replacement consumables, just click the Dell supplies link right from your web browser.

 **NOTE:** The **Dell Printer Configuration Web Tool** is not available when the printer is locally attached to a computer or a print server.

To launch the **Dell Printer Configuration Web Tool**, type the printer's IP address in your web browser, and the printer configuration appears on the screen.

You can set up the **Dell Printer Configuration Web Tool** to send you an e-mail when the printer needs supplies or intervention.

To set up e-mail alerts:

1. Launch the **Dell Printer Configuration Web Tool**.
2. Click **E-Mail Alert** link.
3. Under **Setup E-Mail Lists and Alerts**, enter the **Primary SMTP Gateway**, the **Reply Address**, and enter your e-mail address or the key operator's e-mail address in the e-mail list box.
4. Click **Apply New Settings**.

 **NOTE:** The SMTP server will display **Connection in Progress** until an error occurs.

Network Printer Setup on a Remote Network

Before Installation

Before you start remote installation, perform the following procedures.

Allow Print Spooler to Accept Client Connections

 **NOTE:** This step is required for Windows Vista, Windows Vista 64-bit Edition, Windows XP, Windows XP 64-bit Edition, Windows Server 2003, Windows Server 2003 x64 Edition, Windows Server 2008, Windows Server 2008 64-bit Edition, Windows Server 2008 R2 64-bit Edition, Windows 7, and Windows 7 64-bit Edition.

For Windows XP, Windows Vista, Windows Server 2003, and Windows Server 2008:


1. Click **start**® **All Programs** (for Windows Vista only)® **Accessories** (for Windows Vista only)® **Run**.
2. Type `gpedit.msc`, and then click **OK**.
3. Click **Computer Configuration**® **Administrative Templates**® **Printers**.
4. Right-click **Allow Print Spooler to accept client connections** and select **Properties**.
5. From the **Setting** tab, select **Enabled**, and then click **OK**.

6. Restart the computer.

For Windows Server 2008 R2 and Windows 7:

1. Click **Start**® **All Programs** (for Windows 7 only)® **Accessories** (for Windows 7 only)® **Run**.
2. Type `gpedit.msc`, and then click **OK**.
3. Click **Computer Configuration**® **Administrative Templates**® **Printers**.
4. Right-click **Allow Print Spooler to accept client connections** and select **Edit**.
5. Select **Enabled**, and then click **OK**.
6. Restart the computer.

Share the Firewall File and Printer

 **NOTE:** This step is required for Windows Vista, Windows Vista 64-bit Edition, Windows XP, Windows XP 64-bit Edition, Windows Server 2008, Windows Server 2008 64-bit Edition, Windows Server 2008 R2 64-bit Edition, Windows 7, and Windows 7 64-bit Edition.

For Windows Vista:

1. Click **start**® **Control Panel**.
2. Select **Security**.
3. Click **Windows Firewall**.
4. Click **Change settings**.
5. Click **Continue**.
6. From the **Exceptions** tab, check the **File and Printer Sharing** check box, and then click **OK**.

For Windows Server 2008:

1. Click **start**® **Control Panel**.
2. Double-Click **Windows Firewall**.
3. Click **Change settings**.
4. From the **Exceptions** tab, check the **File and Printer Sharing** check box, and then click **OK**.


For Windows Server 2008 R2 and Windows 7:

1. Click **Start**® **Control Panel**.
2. Select **System and Security**.
3. Click **Windows Firewall**.
4. Click **Allow a program or feature through Windows Firewall**.
5. If the check boxes under **Allowed programs and features:** are dimmed, click **Change settings**.
6. Check the **File and Printer Sharing** check box. **Home/Work (Private)** or **Public** check box is automatically selected according to your settings. If **File and Printer Sharing Properties** dialog box appears, click **OK**.
7. Click **OK**.

For Windows XP:


1. Click **start**® **Control Panel**.
2. Select **Security Center**.
3. Click **Windows Firewall**.
4. From the **Exceptions** tab, check the **File and Printer Sharing** check box, and then click **OK**.


Start Remote Registry

 **NOTE:** This step is required for Windows Vista, Windows Vista 64-bit Edition, Windows 7, and Windows 7 64-bit Edition.

1. Click **Start**® **Control Panel**.
2. Select **System and Maintenance (System and Security for Windows 7)**.
3. Click **Administrative Tools**.
4. Double-click **Services**.
5. Click **Continue** (for Windows Vista only).
6. Right-click **Remote Registry** and select **Start**.
7. Right-click **Remote Registry** and select **Properties**.
8. Change **Startup type:** to **Automatic**, and then click **OK**.

Disable User Account Control

 **NOTICE:** Disabling the User Account Control might leave the system vulnerable to virus attacks.

 **NOTE:** This step is required for Windows Vista, Windows Vista 64-bit Edition, Windows Server 2008, Windows Server 2008 64-bit Edition, Windows Server 2008 R2 64-bit Edition, Windows 7, and Windows 7 64-bit Edition.

For Windows Vista:

1. Click **start® Control Panel**.
2. Select **User Accounts and Family Safety**.
3. Click **User Accounts**.
4. Click **Turn User Account Control on or off**.
5. Click **Continue**.
6. Clear the **Use User Account Control (UAC) to help protect your computer** check box.
7. Restart the computer.

For Windows Server 2008:

1. Click **start® Control Panel**.
2. Double-Click **User Accounts**.
3. Click **Turn User Account Control on or off**.
4. Clear the **Use User Account Control (UAC) to help protect your computer** check box.
5. Click **OK**.
6. Restart the computer.

For Windows Server 2008 R2:


1. Click **Start® Control Panel**.
2. Select **User Accounts**.
3. Click **User Accounts**.
4. Click **Change User Account Control Settings**.
5. Move the slider to the bottom, and then click **OK**.
6. Restart the computer.

For Windows 7:

1. Click **Start® Control Panel**.
2. Select **User Accounts and Family Safety**.
3. Click **User Accounts**.
4. Click **Change User Account Control Settings**.
5. Move the slider to the bottom, and then click **OK**.
6. Click **Yes** in **User Account Control** dialog box.
7. Restart the computer.

Enable Network Discovery and File Sharing for all Public Networks

You can skip "[Disable User Account Control](#)" for this procedure.

 **NOTE:** This step is required when you use Windows Vista, Windows Vista 64-bit Edition, Windows Server 2008, Windows Server 2008 64-bit Edition, Windows Server 2008 R2 64-bit Edition, Windows 7, and Windows 7 64-bit Edition for the server computer.

1. Click **Start® Network (Start® your user name® Network for Windows 7)**.
2. Click **Network discovery and file sharing are turned off. Network computers and devices are not visible. Click to change**.
3. Click **Turn on network discovery and file sharing**.
4. Click **Yes, turn on network discovery and file sharing for all public networks**.


Disable Simple File Sharing

 **NOTE:** This step is required for Windows XP, and Windows XP 64-bit Edition.


1. Click **start® Control Panel**.
2. Select **Appearance and Themes**.

3. Select **Folder Options**.
4. From the **View** tab, clear the **Use simple file sharing (Recommended)** check box, and then click **OK**.
5. Click **start**® **Control Panel**.
6. Select **Performance and Maintenance**.
7. Select **Administrative Tools**.
8. Click **Local Security Policy**.
9. Click **Local Policies**® **Security Options**.
10. Right-click **Network access: Sharing and security model for local accounts** and select **Properties**.
11. Ensure **Classic - local users authenticate as themselves** is selected.


Installing the Printer Driver

 **NOTE:** Installation on Windows XP Home Edition, Windows Vista Home Basic, Windows Vista Home Premium, Windows Vista x64 Home Basic, Windows Vista x64 Home Premium, Windows 7 Starter, Windows 7 Home Basic, Windows 7 Home Premium, Windows 7 x64 Home Basic, and Windows 7 x64 Home Premium is not supported.

1. Press **Software Installation** to launch the installation software.
2. Select **Network Installation**, and then click **Next**.
3. Select **Remote Installation**, and then click **Next**.
 - a. Enter the computer name, user ID, and password. Then, click **Add**.
 - b. Click **Next**.

 **NOTE:** In some cases, **Windows Security Alert** is displayed in this step when you use Windows Vista, Windows Vista 64-bit Edition, Windows Server 2008, Windows Server 2008 64-bit Edition, Windows Server 2008 R2 64-bit Edition, Windows 7, or Windows 7 64-bit Edition. In this case, select **Unblock (Allow access for Windows Server 2008 R2 and Windows 7)**, and then continue the procedure.

4. Select the printer you want to install from the printer list, and then click **Next**. If the target printer is not displayed on the list, click **Refresh** to refresh the list or click **Add Printer** to add a printer to the list manually. You may specify the IP address and port name at this point.

 **NOTE:** When using AutoIP, 0.0.0.0 is displayed in the installer. Before you can continue, you must enter a valid IP address.

5. Specify the printer settings, and then click **Next**.
 - a. Enter the printer name.
 - b. If you want other users on the network to access this printer, select **Share this printer with other computers on the network**, and then enter a share name that users will easily identify.
 - c. If you want to set a printer as the default, select the **Set this printer as default** check box.
 - d. If you want to restrict color printing, select the appropriate **Dell ColorTrack** option. Enter the password when **Color-Password Enabled** is selected for **Dell ColorTrack**.
6. Select the software and documentation you want to install, and then click **Next**. You can specify folders in which to install the Dell software and documentation. To change the folders, click **Input**.
7. Click **Finish** to exit the wizard when the **Congratulations!** screen appears.

Use the **Dell Printer Configuration Web Tool** to monitor the status of your network printer without leaving your desk. You can view and/or change the printer configuration settings, monitor toner level, and when it is time to order replacement consumables, just click the Dell supplies link right from your web browser.

 **NOTE:** The **Dell Printer Configuration Web Tool** is not available when the printer is locally attached to a computer or a print server.

To launch the **Dell Printer Configuration Web Tool**, type the printer's IP address in your web browser, and the printer configuration appears on the screen.

You can set up the **Dell Printer Configuration Web Tool** to send you an e-mail when the printer needs supplies or intervention.

To set up e-mail alerts:


1. Launch the **Dell Printer Configuration Web Tool**.
2. Click **E-Mail Alert** link.
3. Under **E-Mail Server Settings**, enter the **Primary SMTP Gateway**, the **Reply Address**, and enter your e-mail address or the key operator's e-mail address in the e-mail list box.
4. Click **Apply New Settings**.

 **NOTE:** The SMTP server will display **Connection pending until printer sends an alert** until an error occurs.

Setting Up for Shared Printing

You can share your new printer on the network using the *Drivers and Utilities* CD that shipped with your printer, or using Microsoft® point and print or peer-to-peer method. However, if you use one of the Microsoft methods, you will not have all the features, such as the status monitor and other printer utilities, that are installed with the *Drivers and Utilities* CD.

To share a locally-attached printer on the network, you need to share the printer, and then install the shared printer on network clients:

 **NOTE:** The following are options you need to buy separately for shared printing.

- Ethernet cable

Windows® XP, Windows XP 64-bit Edition, Windows Server® 2003, Windows Server 2003 x64 Edition, Windows 2000

1. Click **start**® **Printers and Faxes** (**Printers** for Windows 2000).
2. Right-click this printer icon and select **Properties**.
3. From the **Sharing** tab, check the **Share this printer** (**Share as** for Windows 2000) check box, and then type a name in the **Share name** (**Share as** for Windows 2000) text box.
4. Click **Additional Drivers** and select the operating systems of all network clients printing to this printer.
5. Click **OK**.

If you are missing files, you will be prompted to insert the server operating system CD.

Windows Vista®, Windows Vista 64-bit Edition

1. Click **start**® **Control Panel**® **Hardware and Sound**® **Printers**.
2. Right-click this printer icon and select **Sharing**.
3. Click **Change sharing options** button.
4. The dialog box displaying "Windows needs your permission to continue" appears.
5. Click **Continue** button.
6. Check the **Share this printer** check box, and then type a name in the **Share name** text box.
7. Click **Additional Drivers** and select the operating systems of all network clients printing to this printer.
8. Click **OK**.

Windows Server 2008, Windows Server 2008 64-bit Edition

1. Click **start**® **Control Panel**® **Printers**.
2. Right-click this printer icon and select **Sharing**.
3. Click **Change Sharing Options** button if exists.

Check the **Share this printer** check box, and then type a name in the **Share name** text box.

4. Click **Additional Drivers** and select the operating systems of all network clients printing to this printer.
5. Click **OK**.

Windows 7, Windows 7 64-bit Edition, Windows Server 2008 R2 64-bit Edition

1. Click **Start**® **Devices and Printers**.
2. Right-click the printer icon and select **Printer properties**.
3. From the **Sharing** tab, click **Change Sharing Options** button if exists.

Check the **Share this printer** check box, and then type a name in the **Share name** text box.

4. Click **Additional Drivers** and select the operating systems of all network clients printing to this printer.
5. Click **Apply**, and then click **OK**.

To check that the printer is successfully shared:

- Ensure that the printer object in the **Printers**, **Printers and Faxes**, or **Devices and Printers** folder is shared. A icon of sharing is shown underneath the printer icon.
- Browse **Network** or **My Network Places**. Find the host name of the server and look for the shared name you assigned to the printer.

Now that the printer is shared, you can install the printer on network clients using the point and print method or the peer-to-peer method.

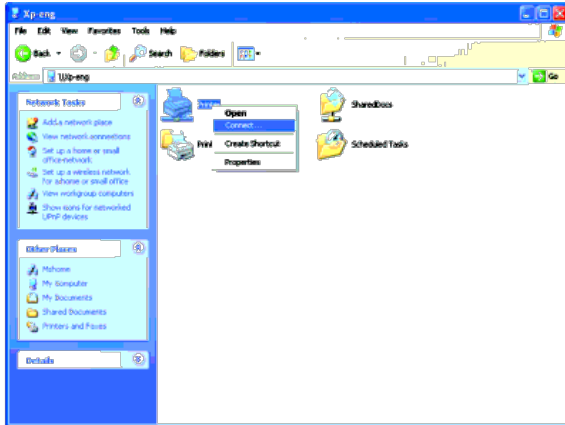
Point and Print

This method is usually the best use of system resources. The server handles driver modifications and print job processing. This lets network clients return to their programs much faster.

If you use the point and print method, a subset of driver information is copied from the server to the client computer. This is just enough information to send a print job to the printer.

Windows XP, Windows XP 64-bit Edition, Windows Server 2003, Windows Server 2003 x64 Edition, Windows 2000

1. On the Windows desktop of the client computer, double-click **My Network Places**.
2. Locate the host name of the server computer, and then double-click the host name.
3. Right-click the shared printer name, and then click **Connect**.



Wait for the driver information to copy from the server computer to the client computer, and for a new printer object to be added to the **Printers and Faxes** (**Printers** for Windows 2000) folder. The copy time varies, based on network traffic and other factors.

Close **My Network Places**.

4. Print a test page to verify installation.
 - a. Click **start**@ **Printers and Faxes** (**Printers** for Windows 2000).
 - b. Select the printer you just created.
 - c. Click **File**@ **Properties**.
 - d. From the **General** tab, click **Print Test Page**.

When a test page prints successfully, installation is complete.

Windows Vista, Windows Vista 64-bit Edition

1. On the Windows desktop of the client computer, click **start**@ **Network**.
2. Locate the host name of the server computer, and then double-click the host name.
3. Right-click the shared printer name, and then click **Connect**.
4. Click **Install driver**.
5. Click **Continue** in **User Account Control** dialog.
6. Wait for the driver information to copy from the server computer to the client computer, and for a new printer object to be added to the **Printers** folder. The time this takes varies, based on network traffic and other factors.
7. Print a test page to verify installation.
 - a. Click **start**@ **Control Panel**@ **Hardware and Sound**.
 - b. Select **Printers**.
 - c. Right-click the printer you just created and select **Properties**.
 - d. From the **General** tab, click **Print Test Page**.

When a test page prints successfully, installation is complete.

Windows Server 2008, Windows Server 2008 64-bit Edition

1. On the Windows desktop of the client computer, click **start**@ **Network**.
2. Locate the host name of the server computer, and then double-click the host name.
3. Right-click the shared printer name, and then click **Connect**.
4. Click **Install driver**.
5. Wait for the driver information to copy from the server computer to the client computer, and for a new printer object to be added to the **Printers** folder. The time this takes varies, based on network traffic and other factors.
6. Print a test page to verify installation.
 - a. Click **start**@ **Control Panel**.
 - b. Select **Printers**.
 - c. Right-click the printer you just created and select **Properties**.
 - d. From the **General** tab, click **Print Test Page**.

When a test page prints successfully, installation is complete.

Windows 7, Windows 7 64-bit Edition, Windows Server 2008 R2 64-bit Edition

1. On the Windows desktop of the client computer, click **Start**® your user name® **Network** (**Start**® **Network** for Windows Server 2008 R2).
2. Locate the host name of the server computer, and then double-click the host name.
3. Right-click the shared printer name, and then click **Connect**.
4. Click **Install driver**.
5. Wait for the driver information to copy from the server computer to the client computer, and for a new printer object to be added to the **Devices and Printers** folder. The time this takes varies, based on network traffic and other factors.
6. Print a test page to verify installation.
 - a. Click **Start**® **Devices and Printers**.
 - b. Right-click the printer you just created and select **Printer properties**.
 - c. From the **General** tab, click **Print Test Page**.

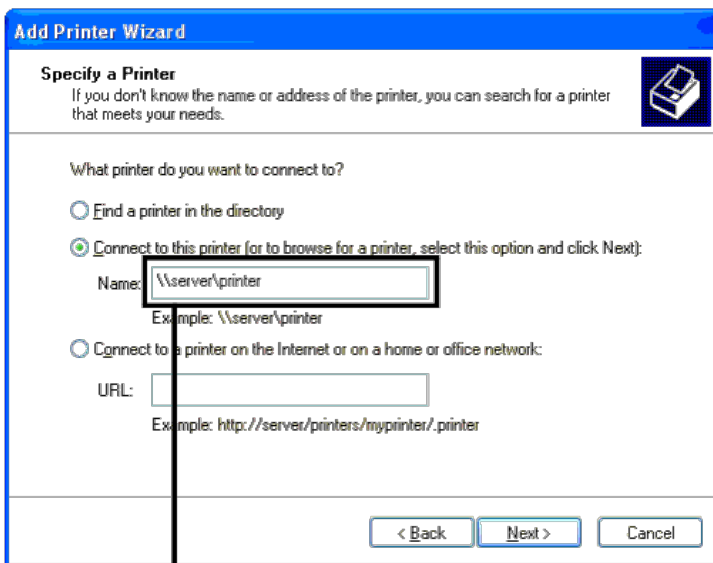
When a test page prints successfully, installation is complete.

Peer-to-Peer

If you use the peer-to-peer method, the printer driver is fully installed on each client computer. Network clients retain control of driver modifications. The client computer handles the print job processing.

Windows XP, Windows XP 64-bit Edition, Windows Server 2003, Windows Server 2003 x64 Edition, Windows 2000

1. Click **start**® **Printers and Faxes** (**Printers** for Windows 2000).
2. Click **Add a Printer** to launch the **Add Printer** wizard.
3. Click **Next**.
4. Select **A network printer, or a printer attached to another computer**, and then click **Next** (For Windows 2000, select the network printer from the **Shared printers** list). If the printer is not listed, type in the path of the printer in the text box.



Forexample: \\<server host name>\<shared printer name>

The server host name is the name of the server computer that identifies it to the network. The shared printer name is the name assigned during the server installation process.

5. Click **Browse for a printer**, and then click **Next** (For Windows 2000, click **OK**).

If this is a new printer, you may be prompted to install a printer driver. If no system driver is available, then you will need to provide a path to available drivers.

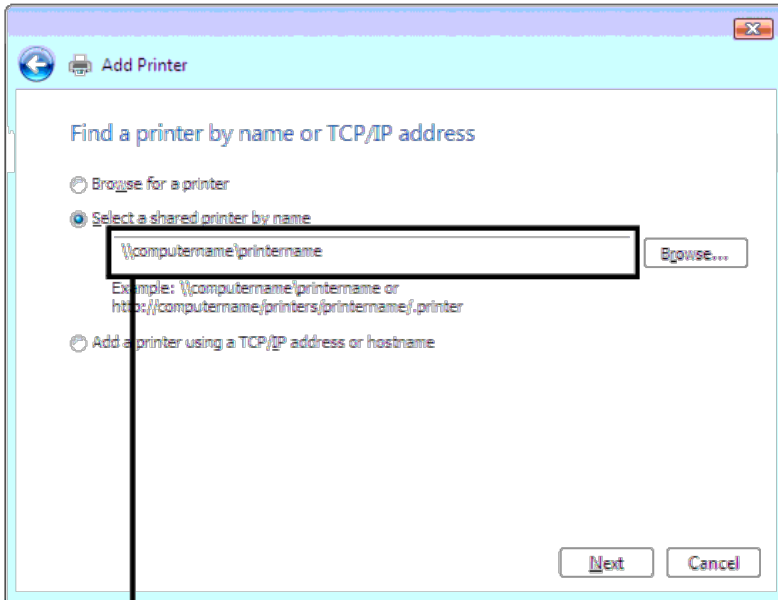
6. Select whether you want this printer to be the default printer for the client, click **Next**, and then click **Finish** (For Windows 2000, click **Finish**).
7. Print a test page to verify installation:
 - a. Click **start**® **Settings**® **Printers and Faxes** (**Printers** for Windows 2000).
 - b. Select the printer you just created.

- c. Click **File** @ **Properties**.
- d. From the **General** tab, click **Print Test Page**.

When a test page prints successfully, installation is complete.

Windows Vista, Windows Vista 64-bit Edition

1. Click **start** @ **Control Panel** @ **Hardware and Sound** @ **Printers**.
2. Click **Add a Printer** to launch the **Add Printer** wizard.
3. Select **Add a network, wireless or Bluetooth printer**, and then click **Next**. If the printer is listed, select the printer and click **Next**, or select **The printer that I want isn't listed** and type in the path of the printer in the **Select a shared printer by name** text box and click **Next**.



For example: `\\<server host name>\<shared printer name>`

The server host name is the name of the server computer that identifies it to the network. The shared printer name is the name assigned during the server installation process.

4. If this is a new printer, you may be prompted to install a printer driver. If no system driver is available, then you will need to provide a path to available drivers.
5. Select whether you want this printer to be the default printer for the client, click **Next**.
6. If you want to verify installation then click **Print a test page**.
7. Click **Finish**.

When a test page prints successfully, installation is complete.

Windows Server 2008, Windows Server 2008 64-bit Edition

1. Click **start** @ **Control Panel** @ **Printers**.
2. Click **Add a Printer** to launch the **Add Printer** wizard.
3. Select **Add a network, wireless or Bluetooth printer**, and then click **Next**. If the printer is listed, select the printer and click **Next**, or select **The printer that I want isn't listed** and type in the path of the printer in the **Select a shared printer by name** text box and click **Next**.

For example: `\\<server host name>\<shared printer name>`

The server host name is the name of the server computer that identifies it to the network. The shared printer name is the name assigned during the server installation process.

4. If this is a new printer, you may be prompted to install a printer driver. If no system driver is available, then you will need to provide a path to available drivers.
5. Select whether you want this printer to be the default printer for the client, click **Next**.
6. If you want to verify installation then click **Print a test page**.
7. Click **Finish**.

When a test page prints successfully, installation is complete.

Windows 7, Windows 7 64-bit Edition, Windows Server 2008 R2 64-bit Edition

1. Click **Start@ Devices and Printers**.
2. Click **Add a Printer** to launch the **Add Printer** wizard.
3. Select **Add a network, wireless or Bluetooth printer**. If the printer is listed, select the printer and click **Next**, or select **The printer that I want isn't listed**. Click **Select a shared printer by name** and type in the path of the printer in the text box, and then click **Next**.

For example: \\<server host name>\<shared printer name>

The server host name is the name of the server computer that identifies it to the network. The shared printer name is the name assigned during the server installation process.
4. If this is a new printer, you may be prompted to install a printer driver. If no system driver is available, then you will need to provide the path to the available drivers.
5. Confirm the printer name, and then click **Next**.
6. Select whether you want this printer to be the default printer for the client.
7. If you want to verify installation then click **Print a test page**.
8. Click **Finish**.


When a test page prints successfully, installation is complete.


Setup Security

1. Press **Menu** button.
2. Press **✓** button until **Admin Menu** is highlighted, and then press **✓ (Set)** button.
3. Press **✓** button until **Panel Settings** is highlighted, and then press **✓ (Set)** button.
4. **Panel Lock** is displayed. Press **✓ (Set)** button.
5. Press **✓** button until **Enable** is highlighted, and then press **✓ (Set)** button.
6. Enter the new password, and then press **✓ (Set)** button.
7. Re-enter the password to confirm the password that you entered, and then press **✓ (Set)** button.

The password has been changed.

 **NOTE:** If you forget your password, turn off the printer. Then, while holding **Menu** button, turn on the printer. Perform steps 2 to 7 to reset the password. This will recover the factory default panel password.

 **NOTE:** If you change the password while **Panel Lock** is **Enable**, follow the following steps. Perform steps 1 and 2. Press **✓** button until **Change Password** is highlighted, and then press **✓ (Set)** button. Perform steps 6 and 7 to change the password. This will change the password.

 **NOTE:** If **Panel Lock** is **Enable**, the factory-default panel password is 0000.

Panel Lock	Disable*	Does not lock Admin Menu with a password.
	Enable	Locks Admin Menu with a password.
Change Password	0000*	Sets or changes the password required to access Admin Menu .
	0000-9999	

Troubleshooting Instructions

Resetting Defaults

After executing this function and rebooting the printer, all the menu parameters, except the parameters for the network, are reset to their default values.

When Using the Operator Panel

1. Press **Menu** button.
2. Press **✓** button until **Admin Menu** is highlighted, and then press **✓ (Set)** button.
3. Press **✓** button until **Maintenance** is highlighted, and then press **✓ (Set)** button.
4. Press **✓** until **Reset Defaults** is highlighted, and then press **✓ (Set)** button.
5. Press **✓** until **Start** is highlighted, and then press **✓ (Set)** button.
6. Turn off the printer to apply the settings.

When Using the Dell™ Printer Configuration Web Tool

1. Launch **Dell Printer Configuration Web Tool**.

- a. Open the web browser.
- b. Enter the IP address of your printer in the web browser.

See "[Dell Printer Configuration Web Tool](#)."

2. Select **Printer Settings**.
3. Click the **Printer Maintenance** tab.
4. Select **Reset Defaults** from the list at the left side of the page.

The **Reset Defaults** page is displayed.

5. Click **Start**.

The printer is turned off automatically to apply the settings.

[Back to Contents Page](#)

Install the PPD File on Macintosh Computers

[Installing the PPD File](#)

The PPD (PostScript Printer Description) file describes print features and capabilities (such as paper sources, paper sizes, and duplexing) of a particular printer. To print data on Macintosh computers, the PostScript driver uses this data to command the printer properly.

Installing the PPD File


1. Insert the *Drivers and Utilities* CD into your computer.
2. Launch the *Drivers and Utilities* CD.
3. Double-click the **Mac OS X** folder, and then double-click the **Dell 5130cdn Installer** icon.
4. Type the administrator's name and password, and then click **OK**.
5. Read the Dell software license agreement, and then click **Continue**.
6. Click **Agree**.
7. Select **Easy Install**, and then click **Install**.
8. Click **Quit**.
Installation is complete.
9. Go to the next section to continue.

Adding a Printer on Mac OS X 10.5 or Later Version(s)


When Using a USB Connection

1. Turn on the printer.
2. Connect the USB cable between the printer and the Macintosh computer.
3. Start **System Preferences**.
4. Click **Print and Fax**, and then click **+**.
5. Click **Default** and select the printer that is connected via USB connection. Then, click **Add**.

When Using IP Printing


 **NOTE:** A network printer adapter must be installed to select IP. Refer to the *User's Guide* available on the *Drivers and Utilities* CD or support.dell.com for installation instructions.

1. Turn on the printer.
2. Connect the LAN cable between the printer and the network.

 **NOTE:** The Macintosh computer must be connected to the network in advance.


3. Start **Systems Preferences**.

4. Click **Print and Fax**, and then click **+**.
5. Select **IP** from the menu.
6. Type the IP address of the printer being used in the **Address** area and select **Line Printer Daemon - LPD** from **Protocol**.
7. Select **Select a driver to use...** from **Print Using** and select **Dell 5130cdn Color Laser** from the list.


 **NOTE:** When printing is set up using IP printing, the queue name is displayed as blank. You do not need to specify it.

8. Click **Add**.
9. Specify the options that have been installed on the printer, and then click **Continue**.
10. Confirm that the printer is displayed in the **Print & Fax** dialog box.

When Using Bonjour

 **NOTE:** A network protocol adapter must be installed and the IP addresses for the Macintosh computer and the printer must have the same segment to use Bonjour.

1. Turn on the printer.
2. Connect the LAN cable between the printer and the network.

 **NOTE:** The Macintosh computer must be connected to the network in advance.

3. Start **Systems Preferences**.
4. Click **Print and Fax**, and then click **+**.
5. Click **Default** and select the printer that is connected via the Bonjour connection. Then, click **Add**.
6. Specify the options that have been installed on the printer, and then click **Continue**.
7. Confirm that the printer is displayed in the **Print & Fax** dialog box.


Adding a Printer on Mac OS X 10.4

When Using a USB Connection

1. Turn on the printer.
2. Connect the USB cable between the printer and the Macintosh computer.
3. Start the **Printer Setup Utility**, and then click **Add** from the **Printer List** dialog box.
4. Click **Default Browser** and select your printer from the **Printer List**.
5. Your printer model is automatically selected for **Printer Model**.
6. Select **USB** from the menu, and then select your printer from the list.
7. Click **Add**.


When Using IP Printing

1. Click **IP Printer** on the **Printer Browser** dialog box, and select **Line Printer Daemon - LPD** from the **Protocol** menu.
2. Type the IP address for the printer being used to **Address** in the **Protocol** menu.
3. Select **Dell** from **Print Using**, and confirm **Dell 5130cdn Color Laser** is selected for the **Model Name**.

 **NOTE:** When printing is set up using IP printing, the queue name is displayed as blank. You do not need to specify it.

4. Click **Add**.

When Using Bonjour

 **NOTE:** A network protocol adapter must be installed and the IP addresses for the Macintosh computer and the printer must have the same segment to use Bonjour.


1. Turn on the printer.
2. Connect the LAN cable between the printer and the network.

 **NOTE:** The Macintosh computer must be connected to the network in advance.

3. Start the **Printer Setup Utility**, and click **Add** from the **Printer List** dialog box.
4. Click **Default Browser** on the **Printer Browser** dialog box and select the printer that is connected via the Bonjour connection. Then, click **Add**.
5. Specify the options to have been installed to the printer, and then click **Continue**.
6. Confirm that the printer is displayed on the **Printer List** dialog box.

Adding a Printer on Mac OS X 10.3 or Earlier Version(s)

1. Turn on the printer.
2. If you use the USB port, connect the USB cable between the printer and the Macintosh computer.
3. Start **Printer Setup Utility**. The **Printer List** screen appears.

 **NOTE:** When using Mac OS X 10.3 or later, you can find the **Printer Setup Utility** in the **Utilities folder** in **Applications**.


4. Click **Add**.

When Using USB

1. Select **USB** from the menu, and then select your printer from the list.
2. For Mac OS X 10.3 or later, your printer model is automatically selected for **Printer Model**.
3. Click **Add**.


When Using IP Printing

1. Select **IP Printing** from the menu, and type the IP address for the printer being used in **Printer Address**.
2. Select **Printer Type** from the menu, and select **LPD/LPR**.
3. Select **Dell** from **Printer Model**, and confirm **Dell 5130cdn Color Laser** is selected for the **Model Name**. If it is not selected, select it.


 **NOTE:** When printing is set up using IP printing, the queue name is displayed as blank. You do not need to specify it.

4. Click **Add**.

When Using Rendezvous

 **NOTE:** A network protocol adapter must be installed and the IP addresses for the Macintosh computer and the printer must have the same segment to use Rendezvous.

1. Turn on the printer.
2. Connect the LAN cable between the printer and the network.

 **NOTE:** The Macintosh computer must be connected to the network in advance.

3. Start the **Printer Setup Utility**, and click **Add** from the **Printer List** dialog box.
4. Select **Rendezvous** from the menu, and select your printer from the list.
5. Select **Dell** from **Printer Model**, and select **Dell 5130cdn Color Laser**.

Then click **Add**.

6. Confirm that the printer is displayed on the **Printer List** dialog box.

Configure Settings

All the optional accessories are verified as installed.


Mac OS X 10.5 or Later Version(s)

1. Select the **Print & Fax** in **System Preferences**.
2. Select the printer in **Printers** list, and click **Options & Supplies**.
3. Select **Driver**, and select the options that have been installed in the printers, and then click **OK**.

Mac OS X 10.3 or 10.4

1. Start the **Printer Setup Utility**.
2. On the **Printer List** dialog box, select the printer to be configured.
3. Click **Show Info**.
4. Select **Installable Options**, and select the options that have been installed on the printer, then click **Apply**.

Changes.

 **NOTE:** You must configure the print queue that was automatically created on a non-English version of Mac OS X 10.3 when a USB cable is connected to your computer.

[Back to Contents Page](#)

Dell Printer Configuration Web Tool

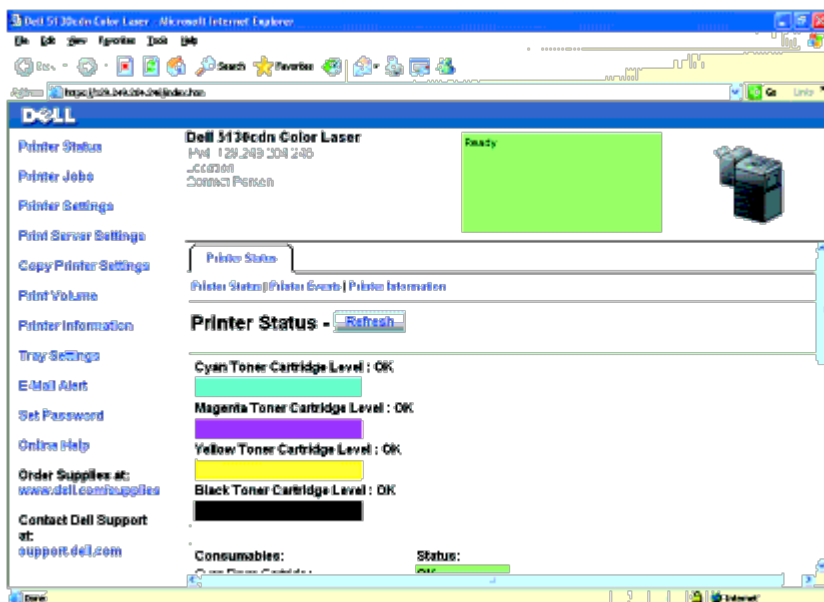
- [Overview](#)
- [Using the Dell Printer Configuration Web Tool](#)
- [Setting Up the Dell Printer Configuration Web Tool](#)
- [Page Display Format](#)
- [Changing the Settings of the Menu Items](#)

Overview

 **NOTE:** This web tool is not available unless the printer is connected to a network using a network cable or the wireless adapter.

One of the features of the **Dell™ Printer Configuration Web Tool** is E-Mail Alert Setup, which sends an e-mail to you or the key operator when the printer needs supplies or intervention.

To fill out printer inventory reports requiring the asset tag number of all the printers in your area, use the **Printer Information** feature in the **Dell Printer Configuration Web Tool**. Just enter the IP address of each printer on the network to display the asset tag number.





The **Dell Printer Configuration Web Tool** feature also allows you to change the printer settings and keep track of printing trends. If you are a network administrator, you can easily copy the printer settings to one or all printers on the network using your web browser.

To launch the **Dell Printer Configuration Web Tool**, type your printer's IP address in your web browser.

If you do not know the IP address of your printer, print the printer settings page or display the **TCP/IP settings** page, which lists the IP address.

When Using the Operator Panel

1. Press **Menu** button.
2. Ensure Report/List is highlighted, and then press  **(Set)** button.
3. Printer Settings is displayed. Press  **(Set)** button.

The printer settings page is printed.

If the IP address shows 0.0.0.0 (the factory default), an IP address has not been assigned. To assign one for your printer, see "[Assign an IP Address](#)."

Using the Dell Printer Configuration Web Tool

Use the **Dell Printer Configuration Web Tool** for:

Printer Status

Use the **Printer Status** menu to get immediate feedback on the printer supply status. When a toner cartridge is running low, click the order supplies link on the first screen to order an additional toner cartridge.

Printer Jobs

Use the **Printer Jobs** menu to contain information on the **Job List** page and **Completed Jobs** page.

These pages show the details of the status regarding each protocol or job.

Printer Settings


Use the **Printer Settings** menu to change printer settings and view the settings in the operator panel remotely.

Print Server Settings

Using the **Print Server Settings** menu, you can change the type of printer interface and necessary conditions for communications.

Copy Printer Settings

Use the **Copy Printer Settings** menu to copy the printer settings and the ColorTrack settings to another printer or printers on the network just by typing each printer's IP address.

 **NOTE:** You must log in as an administrator to use this feature.

Print Volume

Use the **Print Volume** option to check the histories of printing, such as paper usage and types of jobs being printed, and limit which users use the color mode and the maximum number of pages they can print by setting the internal or external certification.

Printer Information

Use the **Printer Information** menu to get the information on service calls, inventory reports, or the status of current memory and engine code levels.

Tray Settings

Use the **Tray Settings** menu to get the information about the paper type and size for each tray.


E-Mail Alert

Use the **E-Mail Alert** menu to receive an e-mail when the printer needs supplies or intervention. Type your name or the key operator's name in the

e-mail list box to be notified.

Set Password

Use the **Set Password** menu to lock the **Dell Printer Configuration Web Tool** with a password so that other users do not inadvertently change the printer settings you selected.

 **NOTE:** You must log in as an administrator to use this feature.

Online Help

Click **Online Help** to visit the Dell Support website.

Order Supplies at:

www.dell.com/supplies

Contact Dell Support at:

support.dell.com

Setting Up the Dell Printer Configuration Web Tool

Ensure that you activate JavaScript in your browser before using the **Dell Printer Configuration Web Tool**.

It is recommended that you configure the environment settings of your web browser before using the **Dell Printer Configuration Web Tool**.

 **NOTE:** The **Dell Printer Configuration Web Tool** pages may be displayed unreadable if the pages were configured by the language different from your web browser's.

Setting Up From Web Browser

It is recommended that you configure both the environment settings of your web browser and the operator panel before using the **Dell Printer Configuration Web Tool**.

For Internet Explorer® 6.0, Internet Explorer 7.0, Internet Explorer 8.0

Setting Up the Display Language

1. Select **Internet Options** from **Tools** on the menu bar.
2. Select **Languages** in the **General** tab.
3. Specify the display language in order of preference in the **Language** list.

For example:

- **Italian (Italy) [it-IT]**
- **Spanish (Traditional Sort) [es-ES tradnl]**

- **German (Germany) [de-DE]**
- **French (France) [fr-FR]**
- **English (United States) [en-us]**
- **Danish [da-DK]**
- **Dutch (Netherlands) [nl-NL]**
- **Norwegian (Bokmal) [no]**
- **Swedish [sv-SE]**

Setting the Printer's IP Address to Non-Proxy

1. Select **Internet Options** from the **Tools** menu.
2. Click **LAN Settings** under **Local Area Network (LAN) Settings** in the **Connections** tab.
3. Do either of the following:
 - Clear the **Use a proxy server for your LAN** check box under **Proxy server**.
 - Click **Advanced**, and then specify the printer's IP address in the **Do not use proxy server for addresses beginning with** field under **Exceptions**.

After setting the language and proxy, type <http://nnn.nnn.nnn.nnn/> (the printer's IP address) in the URL entry field of the browser to activate the **Dell Printer Configuration Web Tool**.

For Firefox 2.0 or Later

Setting Up the Display Language

1. Select **Options** from the **Tools** menu.
2. Click **Advanced**.
3. When you use Firefox 2.0, click **Choose** in the **General** tab. When you use Firefox 3.0, click **Choose** in the **Content** tab.
4. Specify the display language in order of preference in the **Languages in order of preference** list.

For example:

- **English [en]** or **English/United States [en-us]**
- **Italian [it]**
- **Spanish [es]**
- **German [de]**
- **French [fr]**
- **Dutch [nl]**
- **Norwegian [no]**
- **Swedish [sv]**
- **Danish [da]**

Setting the Printer's IP Address to Non-Proxy

1. Select **Options** from the **Tools** menu.
2. Click **Advanced** tab.
3. Click **Network** on the **Options** dialog box.
4. Click **Connection** ® **Settings**.
5. When you use Firefox 2.0, do one of the following:
 - Select the **Direct connection to the Internet** check box.
 - Select the **Auto-detect proxy settings for this network** check box.
 - Select the **Manual proxy configuration** check box, and then enter the printer's IP address in the **No Proxy for** edit box.
 - Select the **Automatic proxy configuration URL** check box.

When you use Firefox 3.0, do the following:

- Select the **No Proxy** check box, if you don't want to use a proxy.
- Select the **Auto-detect proxy settings for this network** check box.
- Select the **Manual proxy configuration** check box, and then enter a hostname and a port number if you have a list of one or more proxy servers. If you have an IP address that will not be proxied, enter the printer's IP address in the **No Proxy for** edit box.
- Select the **Automatic proxy configuration URL** check box.

After setting the language and proxy, type `<http://nnn.nnn.nnn.nnn/>` (the printer's IP address) in the URL entry field of the browser to activate the **Dell Printer Configuration Web Tool**.

Setting Up From Operator Panel

You can launch the **Dell Printer Configuration Web Tool** only when **EWS** is set to **Enable** (the factory default) on the operator panel. Confirm the operator panel setting if you cannot launch the **Dell Printer Configuration Web Tool**. For more information, see "[Understanding the Printer Menus](#)".

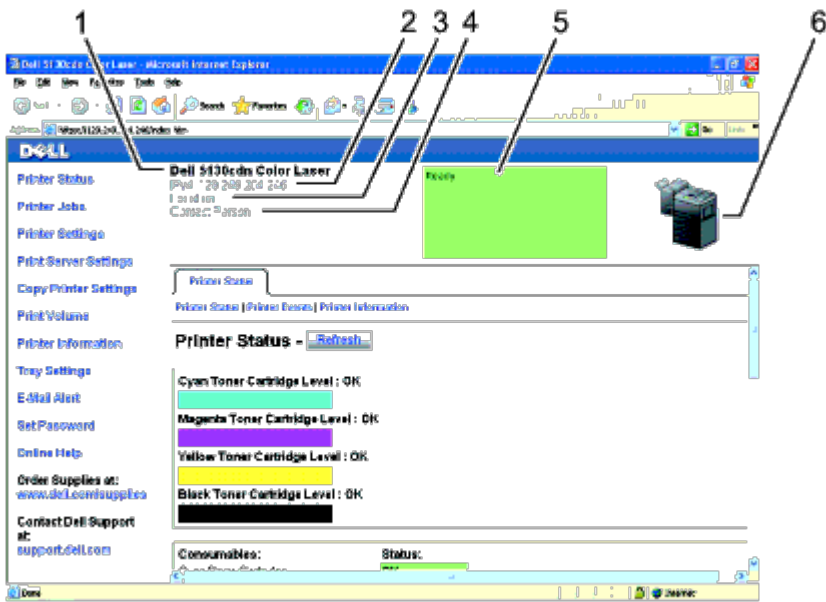
Page Display Format

The layout of the page is divided into three sections mentioned below:

Top Frame

The Top Frame is located at the top of all pages. When **Dell Printer Configuration Web Tool** is activated, the current status and specifications of the printer are displayed in the Top Frame on every page.

The following items are displayed in the Top Frame.

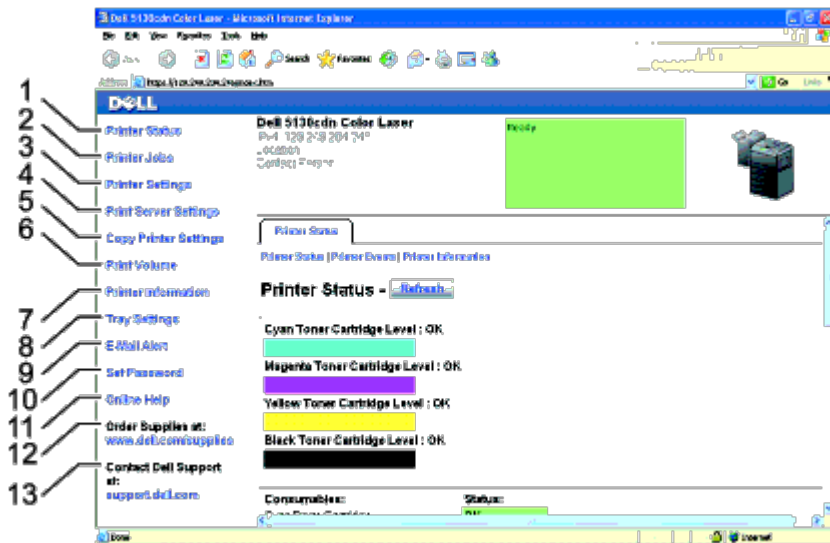


1	Dell 5130cdn Color Laser	Displays the printer's product name.
2	IP Address	Displays the printer's IP address.
3	Location	Displays the printer's location. The location can be changed in Basic Information on the Print Server Settings page.
4	Contact Person	Displays the name of the printer's administrator. The name can be changed in the Basic Information on the Print Server Settings page.
5	Event Panel	Displays the condition of the printer. If the error occurs, the message is indicated as "error code"+" ":"+"message". For example, 077-090:Paper jam. Open...
6	Printer Bitmap	Shows the bitmap image of the printer. The Printer Status menu appears in the Right Frame when you click the image.

Left Frame

The Left Frame is located at the left side of all pages. The menu titles displayed in the Left Frame are linked to corresponding menus and pages. You can go to the corresponding page by clicking their characters.

The following menus are displayed in the Left Frame.



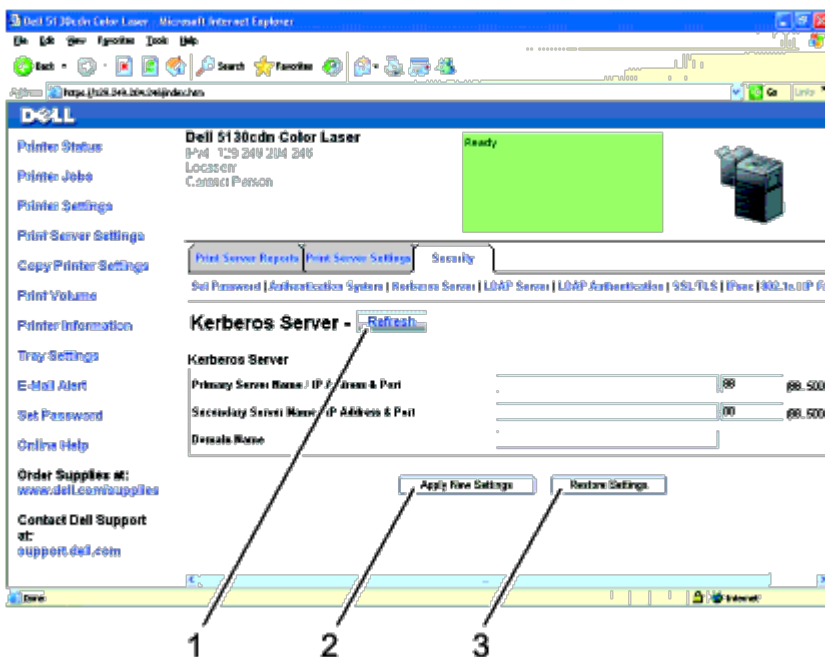
1	Printer Status	Links to the Printer Status menu.
2	Printer Jobs	Links to the Printer Jobs menu.

3	Printer Settings	Links to the Printer Settings Report menu.
4	Print Server Settings	Links to the Print Server Reports menu.
5	Copy Printer Settings	Links to the Copy Printer Settings menu.
6	Print Volume	Links to the Print Volume menu.
7	Printer Information	Links to the Printer Status menu.
8	Tray Settings	Links to the Tray Settings menu.
9	E-Mail Alert	Links to the Print Server Settings menu.
10	Set Password	Links to the Security menu.
11	Online Help	Links to the Dell Support website.
12	Order Supplies at:	Links to the Dell web page.
13	Contact Dell Support at:	Links to the Dell support page web address: support.dell.com/

Right Frame

The Right Frame is located at the right side of all pages. The contents of the Right Frame correspond to the menu that you select in the Left Frame. For details on the items displayed in the Right Frame, see "[Details of the Menu Items.](#)"

Buttons in the Right Frame



1	Refresh Button	Receives the current printer configuration and updates the latest information in the Right Frame.
2	Apply New Settings Button	Submits new settings made on the Dell Printer Configuration Web Tool to the printer. The old printer settings will be replaced by the new settings.
3	Restore Settings Button	Restores the old settings from before changes made. New settings will not be submitted to the printer.

Changing the Settings of the Menu Items

Some menus allow you to change the printer settings through the **Dell Printer Configuration Web Tool**. When you are accessing these menus, the authentication dialog appears on the screen. Type a user name and password for the printer's administrator by following the prompts displayed in the dialog box.

The default user name is **admin**, and the default password is left blank (NULL). You can change only the password in the

Set Password page in the **Security** menu. The user name cannot be changed. For more information, see "[Set Password](#)."

Details of the Menu Items

" Printer Status "		" Printer Status "
		" Printer Events "
		" Printer Information "
" Printer Jobs "		" Job List "
		" Completed Jobs "
" Printer Settings "	" Printer Settings Report "	" Menu Settings "
		" Reports "
	" Printer Settings "	" System Settings "
		" Parallel Settings "
		" Network Settings "
		" USB Settings "
		" PCL Settings "
		" PS Settings "
	" Printer Maintenance "	" Security "
		" Paper Density "
		" Adjust BTR "
		" Adjust Fuser "
		" Auto Registration Adjustment "
		" Color Registration Adjustments "
" Adjust Altitude "		
" Reset Defaults "		
" Storage " * 1		
" Non-Dell Toner "		
" Initialize PrintMeter "		
" Clock Settings "		
" Web Link Customization "		
" Print Server Settings "	" Print Server Reports "	" Print Server Setup Page "
		" NetWare Setup Page "
		" E-Mail Alert Setup Page "
	" Print Server Settings "	" Basic Information "
		" Port Settings "
		" TCP/IP "
		" NetWare "
		" E-Mail Alert "
		" Bonjour (mDNS) "
		" SNMP "
		" Wireless LAN " * 2
	" Reset Print Server "	

	" Security "	" Set Password "
		" Authentication System "
		" Kerberos Server "
		" LDAP Server "
		" LDAP Authentication "
		" SSL/TLS "
		" IPsec "
		" 802.1x "* 3
		" IP Filter "
" Copy Printer Settings "		" Copy Printer Settings "
		" Copy Printer Settings Report "
" Print Volume "		" Print Volume "
		" Dell ColorTrack "
" Tray Settings "		
*1 This item is available only when the RAM disk is on or the optional hard disk is installed.		
*2 This item is available only when connecting the printer with a wireless network.		
*3 This item is available only when connecting the printer with a wired network.		

Printer Status

Use the **Printer Status** menu to check the status of consumables, hardware, and specifications of the printer.

The following pages are displayed in the **Printer Status** menu.

Printer Status

Purpose:

To check the status of the consumables and trays.

Values:

Cyan Toner Cartridge Level Magenta Toner Cartridge Level Yellow Toner Cartridge Level Black Toner Cartridge Level		Displays the percent of toner remaining in each toner cartridge. When a cartridge is empty, a message appears. The text <i>Call or Order</i> is linked to the Dell Printer Supplies website.
Consumables Status	OK	Indicates that the status of the drum cartridge, staple cartridge and/or waste toner box is OK for use.
	Replace Soon	Indicates that the status of the drum cartridge, staple cartridge and/or waste toner box needs to be replaced soon. The text <i>Call or Order</i> is linked to the Dell Printer Supplies website.
	Replace Now	Indicates that the status of the drum cartridge, staple cartridge and/or waste toner box needs to be replaced now. The text <i>Call or Order</i> is linked to the Dell Printer Supplies website.
	???	Indicates that the non-Dell toner cartridges are installed.
	-	Indicates that the drum cartridge or staple cartridge is not installed.

Paper Trays	Status	OK	Indicates that there is some paper in the tray but the quantity is unknown.
		Paper Low	Indicates that paper is running low in the tray.
		Add Paper	Indicates that there is no paper in the tray.
	Capacity		Displays the maximum capacity of the paper tray.
	Size		Displays the size of paper in the tray.
Output Tray	Status	OK	Indicates that the tray is available.
		Full	Indicates that the tray is not available.
	Capacity		Displays the maximum capacity of the paper tray.
Cover	Status	Closed	Indicates that the cover is closed.
		Open	Indicates that the cover is open.
Printer Type			Displays the type of the printer. Color Laser is displayed normally.
Printing Speed			Displays the printer's printing speed.

Printer Events

Purpose:

When faults such as *Out of Paper* or *Front Cover is Open* occur, the details of all alerts or indications of faults are displayed in the **Printer Events** page.

Values:

Location	Displays the location where the error occurred.
Details	Displays the details of the error.

Printer Information

Purpose:

To verify the printer details such as the hardware configuration and software version. This page can also be displayed by clicking **Printer Information** in the Left Frame.

Values:

Dell Service Tag Number		Displays Dell's service tag number.
Asset Tag Number		Displays the printer's asset tag number.
Printer Serial Number		Displays the printer's serial number.
Memory Capacity		Displays the memory capacity.
Hard Disk*¹		Displays information on the printer's hard disk.
Processor Speed		Displays the processing speed.
Printer Revision Levels	Firmware Version	Displays the revision date (revision level).
	Network Firmware Version	Displays the revision date (revision level).
* ¹ This item is available only when the optional hard disk drive is installed.		

Printer Jobs

The **Printer Jobs** menu contains information on the **Job List** and **Completed Jobs** pages. These pages show the details of the status regarding each protocol or the print jobs.

Job List

Purpose:

To confirm the print jobs that are being processed. Click the **Refresh** button to update the screen.

Values:

ID	Displays the job ID.
Job Name	Displays the file name of the job being printed.
Owner	Displays the job owner's name.
Host Name	Displays the name of the host computer.
Job Status	Displays the status of the job being printed.
Host I/F	Displays the status of the host interface.
Job Submitted Time	Displays the date the print job was submitted.

Completed Jobs

Purpose:

To check the completed jobs. Maximum of last 22 print jobs are displayed. Click the **Refresh** button to update the screen.

Values:

ID	Displays the job ID.
Job Name	Displays the file name of the job.
Owner	Displays the job owner's name.
Host Name	Displays the name of the host computer.
Output Result	Displays the status of the job.
Impression Number	Displays the job's total number of job pages.
No. of Sheets	Displays the job's total job sheets.
Host I/F	Displays the status of the host interface.
Job Submitted Time	Displays the date the job was submitted.

Printer Settings

Use the **Printer Settings** menu to display the Printer Settings Report and to configure the printer settings.

The following tabbed pages are displayed at the top of the Right Frame.

Printer Settings Report

The **Printer Settings Report** tab includes the **Menu Settings** and **Reports** pages.

Menu Settings

Purpose:

To display the current settings of the operator panel menus.

Values:

--	--	--

System Settings

Power Saver Time-Sleep	Displays the time for transition to the power saver mode (Sleep).
Power Saver Time-Deep Sleep	Displays the time for transition to the power saver mode (Deep Sleep).
Control Panel Tone	Displays whether to emit the tone when the operator panel input is correct. Off indicates that the tone is disabled.
Invalid Key Tone	Displays whether to emit the tone when the operator panel input is incorrect. Off indicates that the tone is disabled.
Machine Ready Tone	Displays whether to emit the tone when the printer becomes ready. Off indicates that the tone is disabled.
Job Completed Tone	Displays whether to emit the tone when a print job is complete. Off indicates that the tone is disabled.
Fault Tone	Displays whether to emit the tone when a job ends abnormally. Off indicates that the tone is disabled.
Alert Tone	Displays whether to emit the tone when a problem occurs. Off indicates that the tone is disabled.
Out of Paper Alert Tone	Displays whether to emit the tone when the printer runs out of paper. Off indicates that the tone is disabled.
Low Toner Alert Tone	Displays whether to emit the tone when toner or some other consumable is low. Off indicates that the tone is disabled.
Base Tone	Displays whether to emit the tone when the operator panel screen is returned to the default by scrolling the loop menu. Off indicates that the tone is disabled.
Fault Time-Out	Displays the amount of time the printer cancels for a job stops abnormally.
Job Time-Out	Displays the amount of time the printer waits for data to arrive from the computer.
Panel Language	Displays the language used on the operator panel screen.
Auto Log Print	Displays whether to automatically output a log of completed jobs.
Print ID	Displays where to print a user ID on the output paper.
Print Text	Displays whether the printer outputs PDL (Page Description Language) data, which is not supported by the printer, as text when the printer receives it.
Banner Sheet Insert Position	Displays where to insert a banner sheet.
Banner Sheet Specify Tray	Displays which input tray to use to insert a banner sheet.
RAM Disk^{*1}	Displays the amount of memory allocated for the file system, Secure Print and Proof Print features.
Substitute Tray	Displays whether to use another size paper when the paper that is loaded in the specified tray does not match the paper size settings for the current job.
mm / inch	Displays the measurement unit used on the operator panel screen.
Letterhead Duplex Mode	Displays whether to duplex print for letter head paper.
Low Toner Alert Msg	Displays whether to show the message when the toner is short.
Job Offset^{*2}	Displays whether to offset the position of the output paper.
Banner Sheet Offset^{*2}	Displays whether to insert the banner sheet per offset output paper.
Job Offset of Staple^{*2}	Displays whether to staple per offset output paper.
Stapler Cart. Empty^{*2}	Displays whether to continue the print job when the stapler cartridge is empty.
Parallel Port	Displays whether the parallel interface is enabled.

Parallel Settings	ECP	Displays the ECP communication mode of the parallel interface.
	Adobe™ Protocol	Displays PostScript communication protocol for each interface.
Network Settings	Adobe Protocol	Displays PostScript communication protocol for each interface.
USB Settings	USB Port	Displays whether the USB interface is enabled.
	Adobe Protocol	Displays PostScript communication protocol for each interface.
PCL Settings	Paper Tray	Displays the paper tray setting.
	Paper Size	Displays the paper size setting.
	Custom Size - Y	Displays the length of custom size paper.
	Custom Size - X	Displays the width of custom size paper.
	Orientation	Displays how text and graphics are oriented on the page.
	2 Sided	Displays whether to do duplexing as the default for all print jobs.
	Font	Displays the selected font from the list of registered fonts.
	Symbol Set	Displays a symbol set for the specified font.
	Font Size	Displays the font size for scalable typographic fonts.
	Font Pitch	Displays the font pitch for scalable monospaced fonts.
	Form Line	Displays the number of characters in a line.
	Quantity	Displays the number of copies to print.
	Image Enhancement	Displays whether the Image Enhancement feature is enabled.
	Hex Dump	Displays whether the Hex Dump feature is enabled.
	Draft Mode	Displays whether to print in the draft mode.
	Line Termination	Displays whether to set the line termination.
Default Color	Displays the color mode setting.	
PS Settings	PS Error Report	Displays whether the printer outputs error contents for a PostScript error.
	PS Job Time-Out	Displays the execution time for one PostScript job.
	Paper Select Mode	Displays the tray that is selected in the PostScript printing.
	Default Color	Displays the color mode setting.
Secure Settings	Panel Lock Set	Displays whether to lock Admin Menu with a password.
	Login Error-Attempts	Displays the maximum number that the administrator fails to log in.
	Encryption	Displays whether to encrypt the data.
	Set Available Time	Displays whether to set the time period when printing is available.
	Start Time	Displays the start time of the time period when printing is available.
	End Time	Displays the end time of the time period when printing is available.
	Recurrence	Displays the day of the week to repeat the setting.
	HDD Overwrite Mode*³	Displays whether to overwrite the hard disk drive.
	Expiration Mode*⁴	Displays whether to set the date to delete the files stored as Secure Print in the RAM disk or the hard disk drive.

	Expiration Time*4	Displays the time to delete the files stored as Secure Print in the RAM disk or the hard disk drive.
	Recurrence*4	Displays the period to repeat the setting.
	Weekly Settings*4	Displays the day of the week to repeat the setting.
	Monthly Settings*4	Displays the day of the month to repeat the setting.
Paper Density	Plain	Displays the paper density of plain paper.
	Label	Displays the paper density of labels.
Adjust BTR	Plain (60 to 90 gsm)	Displays the voltage setting of the transfer roller (from -6 to 6) for plain paper.
	Plain Thick (80/90 to 105 gsm)	Displays the voltage setting of the transfer roller (from -6 to 6) for thick plain paper.
	Transparency	Displays the voltage setting of the transfer roller (from -6 to 6) for transparencies.
	Covers (106 to 163 gsm)	Displays the voltage setting of the transfer roller (from -6 to 6) for cover paper.
	Covers Thick (164 to 216 gsm)	Displays the voltage setting of the transfer roller (from -6 to 6) for thick cover paper.
	Label	Displays the voltage setting of the transfer roller (from -6 to 6) for labels.
	Coated (106 to 163 gsm)	Displays the voltage setting of the transfer roller (from -6 to 6) for coated paper.
	Coated Thick (164 to 216 gsm)	Displays the voltage setting of the transfer roller (from -6 to 6) for thick coated paper.
	Envelope	Displays the voltage setting of the transfer roller (from -6 to 6) for envelopes.
	Recycled	Displays the voltage setting of the transfer roller (from -6 to 6) for recycled paper.
Adjust Fuser	Plain (60 to 90 gsm)	Displays the temperature setting of the fuser (from -6 to 6) for plain paper.
	Plain Thick (80/90 to 105 gsm)	Displays the temperature setting of the fuser (from -6 to 6) for thick plain paper.
	Transparency	Displays the temperature setting of the fuser (from -6 to 6) for transparency.
	Covers (106 to 163 gsm)	Displays the temperature setting of the fuser (from -6 to 6) for cover paper.
	Covers Thick (164 to 216 gsm)	Displays the temperature setting of the fuser (from -6 to 6) for thick cover paper.
	Label	Displays the temperature setting of the fuser (from -6 to 6) for labels.
	Coated (106 to 163 gsm)	Displays the temperature setting of the fuser (from -6 to 6) for coated paper.
	Coated Thick (164 to 216 gsm)	Displays the temperature setting of the fuser (from -6 to 6) for thick coated paper.
	Envelope	Displays the temperature setting of the fuser (from -6 to 6) for envelopes.
	Recycled	Displays the temperature setting of the fuser (from -6 to 6) for recycled paper.
Auto Registration Adjustment		Displays whether to automatically perform color registration adjustment.
Adjust Altitude		Displays the altitude of where the printer is located.

Non-Dell Toner		Displays whether or not to use another manufacturer's toner cartridge.
Clock Settings	Date Format	Displays the default date format.
	Time Format	Displays the default time format; 12 Hour Clock or 24 Hour Clock.
	Time Zone	Displays the default time zone.
	Set Date	Displays the date setting.
	Set Time	Displays the time setting.
Web Link Customization	Select Reorder URL	Displays a link used for ordering consumables, which can be accessed from Order Supplies at: in the Left Frame.
	Regular	Displays the regular URL (http://accessories.us.dell.com/sna) that can be linked to Order Supplies at: .
	Premier	Displays the premier URL (http://premier.dell.com) that can be linked to Order Supplies at: .
Dell ColorTrack	ColorTrack Mode	Displays whether to enable the ColorTrack.
	No Account User Print	Displays whether to permit the printing of data with no authentication information.
	ColorTrack Error Report	Displays whether to print the error report on the ColorTrack mode.
Tray Settings	Tray 1 Paper Type	Displays the paper type setting of the first tray from the top.
	Tray 1 Paper Size	Displays the paper size setting of the first tray from the top.
	Tray 1 Custom Size - Y	Displays the length of custom size paper loaded in the first tray from the top.
	Tray 1 Custom Size - X	Displays the width of custom size paper loaded in the first tray from the top.
	Tray 2 Paper Type^{*5}	Displays the paper type setting of the second tray from the top.
	Tray 2 Paper Size^{*5}	Displays the paper size setting of the second tray from the top.
	Tray 2 Custom Size - Y^{*5}	Displays the length of custom size paper loaded in the second tray from the top.
	Tray 2 Custom Size - X^{*5}	Displays the width of custom size paper loaded in the second tray from the top.
	Tray 3 Paper Type^{*5}	Displays the paper type setting of the third tray from the top.
	Tray 3 Paper Size^{*5}	Displays the paper size setting of the third tray from the top.
	Tray 3 Custom Size - Y^{*5}	Displays the length of custom size paper loaded in the third tray from the top.
	Tray 3 Custom Size - X^{*5}	Displays the width of custom size paper loaded in the third tray from the top.
	Tray 4 Paper Type^{*6}	Displays the paper type setting of the fourth tray from the top.
	Tray 4 Paper Size^{*6}	Displays the paper size setting of the fourth tray from the top.
	Tray 4 Custom Size - Y^{*6}	Displays the length of custom size paper loaded in the fourth tray from the top.
	Tray 4 Custom Size - X^{*6}	Displays the width of custom size paper loaded in the fourth tray from the top.

Tray Settings	Tray 5 Paper Type* ⁶	Displays the paper type setting of the fifth tray from the top.
	Tray 5 Paper Size* ⁶	Displays the paper size setting of the fifth tray from the top.
	Tray 5 Custom Size - Y* ⁶	Displays the length of custom size paper loaded in the fifth tray from the top.
	Tray 5 Custom Size - X* ⁶	Displays the width of custom size paper loaded in the fifth tray from the top.
	MPF Mode	Displays the paper size and type when paper is loaded in the multipurpose feeder (MPF).
	Display Popup* ⁷	Displays a popup menu that prompts to set the paper size and type when paper is loaded in the MPF.
	MPF Paper Type* ⁷	Displays the paper type setting of the MPF.
	MPF Paper Size* ⁷	Displays the paper size setting of the MPF.
	MPF Custom Size - Y* ⁷	Displays the length of custom size paper loaded in the MPF.
	MPF Custom Size - X* ⁷	Displays the width of custom size paper loaded in the MPF.

*¹ This item is available only when the optional memory module is installed, and also when the optional hard disk is not installed.

*² This item is available only when the optional output expander is installed.

*³ This item is available only when the optional hard disk is installed.

*⁴ This item is available only when the RAM disk is on or the optional hard disk is installed.

*⁵ This item is available only when the optional 550-sheet feeder or 1100-sheet feeder is installed.

*⁶ This item is available only when the optional 1100-sheet feeder is installed.

*⁷ This item is displayed only when Panel Specified is selected for MPF Mode.

Reports

Purpose:

To print various types of reports and lists.

Values:

Printer Settings	Click the Start button to print the printer settings page.
Panel Settings	Click the Start button to print the panel settings page.
PCL Fonts List	Click the Start button to print the PCL (Hewlett-Packard Printer Control Language) Fonts List.
PCL Macro List	Click the Start button to print the PCL Macro List.
Job History	Click the Start button to print the Job History report.
Error History	Click the Start button to print the Error History report.
PS Fonts List	Click the Start button to print the PS Fonts List.
Print Meter	Click the Start button to print the Print Meter report.
Color Test Page	Click the Start button to print the Color Test Page.
Stored Document* ¹	Click the Start button to print the Stored Document list.

*1 This item is available only when the RAM disk is on or the optional hard disk is installed.

Printer Settings

The **Printer Settings** tab includes **System Settings**, **Parallel Settings**, **Network Settings**, **USB Settings**, **PCL Settings**, **PS Settings**, and **Secure Settings** pages.

System Settings

Purpose:

To configure the basic printer settings.

Values:

Power Saver Time-Sleep	Sets the time for transition to the power saver mode (Sleep).
Power Saver Time-Deep Sleep	Sets the time for transition to the power saver mode (Deep Sleep).
Control Panel Tone	Specifies whether to enable the tone that is emitted when the operator panel input is correct.
Invalid Key Tone	Specifies whether to enable the tone that is emitted when the operator panel input is incorrect.
Machine Ready Tone	Specifies whether to enable the tone that is emitted when the printer becomes ready.
Job Completed Tone	Specifies whether to enable the tone that is emitted when a print job is complete.
Fault Tone	Specifies whether to enable the tone that is emitted when a job ends abnormally.
Alert Tone	Specifies whether to enable the tone that is emitted when a problem occurs.
Out of Paper Alert Tone	Specifies whether to enable the tone that is emitted when the printer runs out of paper.
Low Toner Alert Tone	Specifies whether to enable the tone that is emitted when toner or some other consumable is low.
Base Tone	Specifies whether to enable the tone that is emitted when the operator panel screen returns to the default by scrolling the loop menu.
Fault Time-Out	Specifies in seconds the amount of time the printer should cancel for a job stops abnormally. The print job is cancelled if the time-out time is exceeded.
Job Time-Out	Specifies in seconds the amount of time the printer should wait for data to arrive from the computer. The print job is cancelled if the time-out time is exceeded.
Panel Language	Sets the language to be used on the operator panel.
Auto Log Print	Specifies whether to automatically print a log of completed jobs after every 20 jobs.
Print ID	Specifies where to print the user ID on the output paper.
Print Text	Specifies whether the printer outputs PDL data, which is not supported by the printer, as text when the printer receives it.
Banner Sheet Insert Position	Specifies where to insert a banner sheet.
Banner Sheet Specify Tray	Specifies which input tray to use to insert a banner sheet.
RAM Disk *1	Specifies the amount of memory allocated for the file system, Secure Print and Proof Print features.
Substitute Tray	Specifies whether or not to use another size paper when the paper that is loaded in the specified tray does not match the paper size settings for the current job.
mm / inch	Specifies the measurement unit to be used on the operator panel screen as either mm or inches.
Letterhead	Specifies that duplex printing is selected for two-sided letterhead media.

Duplex Mode	
Low Toner Alert Msg	Specifies whether to show the message when the toner is short.
Job Offset*²	Specifies whether to offset the position of the output paper.
Banner Sheet Offset*²	Specifies whether to put the banner sheet per offset print.
Job Offset of Staple*²	Specifies whether to staple the offset print.
Stapler Cart. Empty*²	Specifies whether to continue the print job when the stapler cartridge is empty.
* ¹ This item is available only when the optional memory module is installed, and also when the optional hard disk is not installed.	
* ² This item is available only when the optional output expander is installed.	

Parallel Settings

Purpose:

To configure the parallel interface.

Values:

Parallel Port	Specifies whether to enable the parallel interface.
ECP	Specifies whether to enable the ECP communication mode of the parallel interface.
Adobe Protocol	Specifies PostScript communication protocol for each interface.

Network Settings

Purpose:

To Specify the PostScript communication protocol for this printer.

Values:

Adobe Protocol	Specifies PostScript communication protocol for each interface.
-----------------------	---

USB Settings

Purpose:

To change printer settings affecting a USB port.

Values:

USB Port	Specifies whether to enable the USB interface.
Adobe Protocol	Specifies PostScript communication protocol for each interface.

PCL Settings

Purpose:

To change the printer settings that only affect jobs using the PCL emulation printer language.

Values:

--	--

Paper Tray	Specifies the input tray.
Paper Size	Specifies the paper size.
Custom Size - Y	Specifies the length of custom size paper.
Custom Size - X	Specifies the width of custom size paper.
Orientation	Specifies how text and graphics are oriented on the page.
2 Sided	Sets duplexing as the default for all print jobs. This item is available only when the duplexer is installed.
Font	Specifies the font from the list of registered fonts.
Symbol Set	Specifies a symbol set for the specified font.
Font Size	Specifies the font size for scalable typographic fonts.
Font Pitch	Specifies the font pitch for scalable monospaced fonts.
Form Line	Specifies the number of characters in a line.
Quantity	Sets the number of copies to print.
Image Enhancement	Specifies whether to enable the Image Enhancement feature.
Hex Dump	Specifies whether to help isolate the source of a print job problem. With Hex Dump selected, all data sent to the printer is printed in hexadecimal and character representation. Control codes are not executed.
Draft Mode	Specifies whether to print in the draft mode.
Line Termination	Specifies how to handle line terminations.
Default Color	Specifies the print color mode to Color or Black . This setting is used for print jobs without a specified color print mode.

PS Settings

Purpose:

To change printer settings that only affect jobs using the PostScript emulation printer language.

Values:

PS Error Report	Specifies whether the printer outputs error contents for a PostScript error.
PS Job Time-Out	Specifies the execution time for one PostScript job.
Paper Select Mode	Specifies the way to select the tray for the PostScript mode.
Default Color	Specifies the default color mode for the PostScript mode.

Secure Settings


Panel Lock

Purpose:

To set whether to lock Admin Menu with a password, and to set or change the password.

Values:

Panel Lock Set	Sets whether to lock Admin Menu with a password.
New Password	Sets a password that is required to access Admin Menu.
Re-enter Password	Enter the new password again to confirm.
Login Error - Attempts	Sets the maximum number that the administrator fails to log in.

 **NOTE:** This menu sets a password to lock the operator panel. When changing the password for the **Dell Printer Configuration Web Tool**, click **Set Password** on the Left Frame and set the password.


Data Encryption

Purpose:

To set whether to encrypt the data.

Values:

Data Encryption	Encryption	Sets whether to encrypt the data.
	Encryption Key	Sets a key that is required to encrypt.
	Re-enter Encryption Key	Enter the new key again to confirm.

 **NOTE:** You can enter only characters from 0 to 9, a to z, A to Z, and NULL values for encryption key.

Set Available Time

Purpose:

To set the time to enable the secure setting.

Values:

Set Available Time	Specifies whether to set the time period when printing is available.
Start Time	Specifies the start time of the time period when printing is available.
End Time	Specifies the end time of the time period when printing is available.
Recurrence	Specifies the day of the week to repeat the setting.

HDD Overwrite Mode

Purpose:

To set whether to overwrite the hard disk drive.

Values:

HDD Overwrite Mode	Sets whether to overwrite the hard disk drive.
---------------------------	--

Secure Job Expiration

Purpose:

To set the date and time to delete the files stored as Secure Print in the RAM disk or the hard disk drive.

Values:

Expiration Mode	Sets whether to set the date to delete the files stored as Secure Print in the RAM disk or the hard disk drive.
Expiration Time	Sets the time to delete the files stored as Secure Print in the RAM disk or the hard disk drive.
Recurrence	Sets the period to repeat the setting.
Weekly Settings	Sets the day of the week to repeat the setting.
Monthly Settings	Sets the day of the month to repeat the setting.

Printer Maintenance

The **Printer Maintenance** tab includes **Paper Density**, **Adjust BTR**, **Adjust Fuser**, **Auto Registration Adjustment**, **Color Registration Adjustments**, **Adjust Altitude**, **Reset Defaults**, **Storage**, **Non-Dell Toner**, **Initialize**

Paper Density

Purpose:

To specify the paper density.

Values:


Plain	Sets the density of plain paper to Light or Normal .
Label	Sets the density of labels to Light or Normal .

Adjust BTR

Purpose:

To specify the optimum voltage settings for printing for the transfer roller (BTR). To lower the voltage, set negative values. To increase, set positive values.

The default settings may not give the best output on all paper types. If you see mottles on the print output, try to increase the voltage. If you see white spots on the print output, try to decrease the voltage.

 **NOTICE:** The print quality changes depending on the setting values you select for this item.

Values:

Plain (60 to 90 gsm)	Sets the reference voltage setting for the transfer roller for plain paper within the range of -6 to 6.
Plain Thick (80/90 to 105 gsm)	Sets the reference voltage setting for the transfer roller for thick plain paper within the range of -6 to 6.
Transparency	Sets the reference voltage setting for the transfer roller for transparencies within the range of -6 to 6.
Covers (106 to 163 gsm)	Sets the reference voltage setting for the transfer roller for cover paper within the range of -6 to 6.
Covers Thick (164 to 216 gsm)	Sets the reference voltage setting for the transfer roller for thick cover paper within the range of -6 to 6.
Label	Sets the reference voltage setting for the transfer roller for labels within the range of -6 to 6.
Coated (106 to 163 gsm)	Sets the reference voltage setting for the transfer roller for coated paper within the range of -6 to 6.
Coated Thick (164 to 216 gsm)	Sets the reference voltage setting for the transfer roller for thick coated paper within the range of -6 to 6.
Envelope	Sets the reference voltage setting for the transfer roller for envelopes within the range of -6 to 6.
Recycled	Sets the reference voltage setting for the transfer roller for recycled paper within the range of -6 to 6.

Adjust Fuser

Purpose:

To specify the optimum temperature settings for printing for the fuser. To lower the temperature, set negative values. To increase, set positive values.

The default settings may not give the best output on all paper types. When the printed paper has curled, try to lower the temperature. When the toner does not fuse on the paper properly, try to increase the temperature.

 **NOTE:** The print quality changes depending on the setting values you select for this item.

Values:

Plain (60 to 90 gsm)	Sets the temperature settings for the fuser for plain paper within the range of -6 to 6.
Plain Thick (80/90 to 105 gsm)	Sets the temperature settings for the fuser for thick plain paper within the range of -6 to 6.
Transparency	Sets the temperature settings for the fuser for transparencies within the range of -6 to 6.
Covers (106 to 163 gsm)	Sets the temperature settings for the fuser for cover paper within the range of -6 to 6.
Covers Thick (164 to 216 gsm)	Sets the temperature settings for the fuser for thick cover paper within the range of -6 to 6.
Label	Sets the temperature settings for the fuser for labels within the range of -6 to 6.
Coated (106 to 163 gsm)	Sets the temperature settings for the fuser for coated paper within the range of -6 to 6.
Coated Thick (164 to 216 gsm)	Sets the temperature settings for the fuser for thick coated paper within the range of -6 to 6.
Envelope	Sets the temperature settings for the fuser for envelopes within the range of -6 to 6.
Recycled	Sets the temperature settings for the fuser for recycled paper within the range of -6 to 6.

Auto Registration Adjustment**Purpose:**

To specify whether to automatically perform color registration adjustment.

Color Registration Adjustments**Purpose:**

To specify whether to manually perform color registration adjustment.

Manual Color Registration Adjustments are required such as when the printer is initially installed and after the printer is moved.



NOTE: The **Color Registration Adjustments** feature can be configured when **Auto Registration Adjustment** is set to **Off**.

Values:

Auto Correct	Click Start to Automatically performs color registration correction.
Color Regi Chart	Click Start to print a color registration chart. The color registration chart prints a lattice pattern of yellow, magenta, and cyan lines. On the chart, find the values on the right side that are next to the straightest lines for each of the three colors. If the value for the straightest line is 0, color registration adjustment is not required. If the value for the straightest line is any value other than 0, specify the adjustment values under Color Registration Adjustments .
Enter Number	Specifies lateral (perpendicular to paper feed direction) color adjustment values individually for LeftYellow, LeftMagenta, LeftCyan, RightYellow, RightMagenta and RightCyan.

Adjust Altitude**Purpose:**

To specify the altitude of where the printer is located because it affects print quality.

The discharge phenomenon for charging the photo conductor varies with barometric pressure. Adjustments are performed by specifying the altitude of the location where the printer is being used.

Reset Defaults

Purpose:

To initialize the NV (non-volatile) memory. After executing this function to automatically restart the printer and rebooting the printer, all the menu parameters are reset to their default values.

Values:

Reset Defaults and restart printer	Click Start to reset the default setting and restart the printer.
Power On Wizard	Click Start to start the power on wizard and perform initial setup.

Storage

Purpose:

To clear all files stored in the RAM disk or the optional hard disk, or format the optional hard disk.

Values:

Clear Storage * ¹	All Clear	Click Start to clear all files that are stored as Secure Print and Proof Print in the RAM disk or the optional hard disk.
	Secure Document	Click Start to clear all files that are stored as Secure Print in the RAM disk or the optional hard disk.
	Stored Document	Click Start to clear all files that are stored in the RAM disk or the optional hard disk.
Format HDD * ²	Click Start to format the optional hard disk. All fonts, forms and files for Secure Print and Proof Print stored in the optional hard disk are cleared.	


*¹ This item is available only when the RAM disk is on or the optional hard disk is installed.


*² This item is available only when the optional hard disk is installed.

Non-Dell Toner

Purpose:

To specify whether or not to use another manufacturer's tone cartridge.

 **NOTE:** Before you use another manufacture's toner cartridge, be sure to restart the printer.

 **NOTICE:** Use of a non-Dell toner cartridge may result in some of the printer's functions to be unavailable, a reduction in print quality, or deterioration of printer's reliability. Use of a new Dell brand toner cartridge is recommended for your printer. The Dell warranty does not cover any problems caused by the use of any accessory, part, or component that is not supplied by Dell.

Initialize PrintMeter

Purpose:

To initialize the print meter of the printer. When the print meter is initialized, the meter count is reset to 0.

Clock Settings

To specify the clock settings.

Values:

Date Format	Specifies the date format; yy/mm/dd, mm/dd/yy, or dd/mm/yy.
Time Format	Specifies the time format; 12 Hour Clock or 24 Hour Clock.

Time Zone	Specifies the time zone.
Set Date	Specifies the current date.
Set Time	Specifies the current time.

Web Link Customization

Purpose:

To specify a link used for ordering consumables, which can be accessed from **Order Supplies at:** in the Left Frame.

Values:

Select Reorder URL	Select the Regular or Premier URL to be linked to Order Supplies at: .
Regular	Displays the regular URL (http://accessories.us.dell.com/sna) that can be linked to Order Supplies at: .
Premier	Displays the premier URL (http://premier.dell.com) that can be linked to Order Supplies at: .

Print Server Settings

Use the **Print Server Settings** menu to set the type of printer interface and necessary conditions for communications.

The following tabbed pages are displayed in the top of the Right Frame.

Print Server Reports

The **Print Server Reports** tab includes **Print Server Setup Page**, **NetWare Setup Page**, and **E-Mail Alert Setup Page**.

Print Server Setup Page

Purpose:

To verify the current settings of TCP/IP (Transmission Control Protocol/Internet Protocol) and printing ports. On this page, you can only verify the settings of items. If you want to change the settings, go to the pages in the **Print Server Settings** tab.

Values:

Ethernet *1	Ethernet Settings	Displays the current settings of Ethernet transmission rate and the duplex settings.	
	Current Ethernet Settings	Displays the current Ethernet settings.	
	MAC Address	Displays the printer's MAC address.	
Wireless Settings *2	SSID	Displays the name that identifies the network.	
	Network Type	Displays the network type from either the Ad-Hoc or Infrastructure mode.	
	MAC Address	Displays the MAC address of the wireless adapter.	
	Link Channel	Displays the channel number of the connection.	
	Link Quality	Displays the quality of the connection.	
	IP Mode	Displays the IP mode.	
	Host Name	Displays the host name.	
		IP Address Mode	Displays the IP address mode.
		IP Address	Displays the IP address.

TCP/IP Settings	IPv4* ³	Subnet Mask	Displays the subnet mask.
		Gateway Address	Displays the gateway address.
	IPv6* ⁴	Enable Stateless Address	Displays whether to enable the stateless address.
		Use Manual Address	Displays whether to set the IP address manually.
		Manual Address* ⁵	Displays the IP address.
		Stateless Address 1-3* ⁶	Displays the stateless addresses.
		Link Local Address* ⁶	Displays the link local address.
		Manual Gateway Address* ⁵	Displays the gateway address.
		Auto Configure Gateway Address* ⁶	Displays the gateway address.
	DNS	IPv4* ³	Get DNS Server Address from DHCP
Current DNS Server Address			Displays the DNS server address.
IPv6* ⁴		Get DNS Server Address from DHCPv6-lite	Displays whether to automatically get a DNS server address from the DHCPv6-lite server.
		Current DNS Server Address	Displays the DNS server address.
		DNS Dynamic Update (IPv4)	Displays the status of the DNS Dynamic Update feature.
		DNS Dynamic Update (IPv6)	Displays the status of the DNS Dynamic Update feature.
		Auto Generate Search List	Displays whether to automatically generate a search list.
		Search Domain Name	Displays the search domain name.
	Time-out	Displays the time-out period.	
	Priority to IPv6 DNS Name Resolution* ⁷	Displays whether to use the DNS Name Resolution feature.	
LPD	Port Status	Displays the port status.	
	Connection Time-Out	Displays the connection time-out period.	
Port9100	Port Status	Displays the port status.	
	Port Number	Displays the port number.	
	Connection Time-Out	Displays the connection time-out period.	
IPP	Port Status	Displays the port status.	
	Printer URI	Displays the printer URI.	
	Connection Time-Out	Displays the connection time-out period.	
	Port Number	Displays the port number.	

	Maximum Sessions	Displays the maximum number of connections received simultaneously by the client.
WSD	Port Status	Displays the WSD port status.
	Port Number	Displays the WSD port number.
	Receive Time-Out	Displays the receive time-out period.
	Notification Time-Out	Displays the notification time-out period.
	Maximum Number of TTL	Displays the maximum number of TTLs.
	Maximum Number of Notification	Displays the maximum number of notifications.
FTP	Port Status	Displays the port status.
	Connection Time-Out	Displays the connection time-out period.
HTTP	Port Status	Displays the port status.
	Port Number	Displays the port number.
	Simultaneous Connections	Displays the number of connections received simultaneously by the client.
	Connection Time-Out	Displays the connection time-out period.
Bonjour (mDNS)	Port Status	Displays the port status.
	Host Name	Displays the host name.
	Printer Name	Displays the printer name.
Telnet	Port Status	Displays the port status.
	Connection Time-Out	Displays the connection time-out period.
SNMP	Port Status	Displays the port status.
	Enable SNMP v1/v2c Protocol	Displays the status of the SNMP v1/v2c feature.
	Enable SNMP v3 Protocol	Displays the status of the SNMP v3 feature.
Authentication System	Authentication System Settings	Displays the authentication method.
SSL/TLS	HTTP-SSL/TLS Communication	Displays the status of the HTTP - SSL/TLS Communication .
	HTTP-SSL/TLS Communication Port Number	Displays HTTP - SSL/TLS Communication Port Number.
	LDAP-SSL/TLS Communication*⁸	Displays the status of the LDAP - SSL/TLS Communication.
	Verify Remote Server Certificate*⁸	Displays the status of the Verify Remote Server Certificate .
IPsec Settings	Protocol	Displays the protocol status.
	IKE	Displays IKE authentication.
802.1x*¹	Enable IEEE 802.1x	Displays the status of IEEE 802.1x.
	Authentication Method	Displays the setting of authentication method for IEEE 802.1x.
		Displays the list of IP addresses that are permitted or denied access to the

IP Filter (IPv4) * ⁹	Address	printer.
	Address Mask	Displays the list of subnet mask that are permitted or denied access to the printer.
	Active Mode	Displays whether to be permitted or denied access to the printer.

- *¹ This item is available only when connecting the printer with a wired network.
- *² This item is available only when connecting the printer with a wireless network.
- *³ This item is displayed when IPv4 Mode is selected.
- *⁴ This item is displayed when IPv6 Mode is selected.
- *⁵ This item is displayed only when Use Manual Address is Enable.
- *⁶ This item is displayed only when an IP address has been assigned.
- *⁷ This item is available only when using IPv6 dual mode.
- *⁸ This item is displayed only when the optional hard disk is installed and is set to On for encryption.
- *⁹ This item is only available for LPD or Port9100.

NetWare Setup Page

Purpose:

To verify the current settings of NetWare. In this page, you can only verify the settings of items. If you want to change the settings, go to the pages in the **Print Server Settings** tab.

Values:

NetWare	Port Status	Displays the port status. When NetWare is implemented, the status of TCP/IP is also displayed.
	Device Name	Displays the printer name.
	Active Mode	Displays the current mode for Active Mode.
	Tree Name	Displays the tree name.
	Context Name	Displays the context name of the Print Server Object.
	Polling Interval	Displays the time interval from when print data enters the print queue until printing starts.
	Status Information	Displays messages according to the conditions of the printer.
SLP	Active Discovery	Displays whether active discovery is enabled.

E-Mail Alert Setup Page

Purpose:

To verify the current settings of SMTP/POP (Simple Mail Transfer Protocol/Post Office Protocol) used for the e-mail feature and E-Mail Alerts feature. In this page, you can only verify the settings of items. If you want to change the settings, go to the pages in the **Print Server Settings** tab.

Values:

	Port Status	Displays the port status.
	Primary SMTP Gateway	Displays the primary SMTP (Simple Mail Transfer Protocol) gateway.
	SMTP Port Number	Displays the SMTP port number.
	E-Mail Send	

E-Mail Server Settings	Authentication	Displays the authentication method for outgoing e-mail.	
	POP3 Server Address	Displays the POP3 (Post Office Protocol 3) server address.	
	POP3 Port Number	Displays the POP3 port number.	
	Reply Address	Designates the reply e-mail address sent with each E-mail Alert.	
	SMTP Server Connection	Displays the status of the SMTP server connection.	
E-Mail Alert Settings	E-Mail List 1	Displays the acceptable e-mail addresses for the E-Mail Alert feature specified in E-mail List 1 .	
	Select Alerts for List 1	Supplies Alerts	Displays the status, and whether to receive an E-Mail Alert, for consumables.
		Paper Handling Alerts	Displays the status, and whether to receive an E-Mail Alert, for paper handling.
		Service Call	Displays the status, and whether to receive an E-Mail Alert, for Service Calls.
	E-Mail List 2	Displays the acceptable e-mail addresses for the E-Mail Alert feature specified in E-mail List 2 .	
	Select Alerts for List 2	Supplies Alerts	Displays the status, and whether to receive an E-Mail Alert, for consumables.
		Paper Handling Alerts	Displays the status, and whether to receive an E-Mail Alert, for paper handling.
		Service Call	Displays the status, and whether to receive an E-Mail Alert, for Service Calls.

Print Server Settings

The **Print Server Settings** tab includes **Basic Information**, **Port Settings**, **TCP/IP**, **NetWare**, **E-Mail Alert**, **Bonjour(mDNS)**, **SNMP**, **Wireless LAN**, and **Reset Print Server** pages.


Basic Information

Purpose:

To configure the printer's basic information.

Values:

System Settings	Printer Name	Specifies the name of the printer using up to 31 alphanumeric characters.
	Location	Specifies the location of the printer using up to 63 alphanumeric characters.
	Contact Person	Specifies the contact name, number, and other information of the printer's administrator and service center using up to 63 alphanumeric characters.
	Administrator E-Mail Address	Specifies the contact address of the printer's administrator and service center using up to 64 alphanumeric characters.
	Asset Tag Number	Enter the asset tag number for the printer.
EWS Settings	Auto Refresh	Sets whether or not to automatically refresh the contents of the status display pages.
	Auto Refresh Interval	Sets the time interval for refreshing the contents of the status display pages automatically from 15 to 600 seconds.

 **NOTE:** The **Auto Refresh** feature is effective for the contents of the Top Frame, **Printer Status** page, **Job List** page, and **Completed Jobs** page.

Port Settings

Purpose:

To specify whether to enable or disable printing ports and management protocol features.

Values:

Ethernet * ¹	Ethernet Settings	Auto	Detects Ethernet transmission rate and the duplex settings automatically.
		10Base-T Half-Duplex	Selects 10Base-T Half-Duplex as the default value.
		10Base-T Full-Duplex	Selects 10Base-T Full-Duplex as the default value.
		100Base-TX Half-Duplex	Selects 100Base-TX Half-Duplex as the default value.
		100Base-TX Full-Duplex	Selects 100Base-TX Full-Duplex as the default value.
		1000Base-T Full-Duplex	Selects 1000Base-T Full-Duplex as the default value.
Current Ethernet Settings		Displays the current settings of Ethernet.	
MAC Address		Displays the printer's MAC address.	
Port Status	LPD	Select the check box to enable LPD.	
	Port9100	Select the check box to enable Port9100.	
	IPP	Select the check box to enable the IPP port.	
	WSD	Select the check box to enable the WSD port.	
	FTP	Select the check box to enable FTP.	
	NetWare	Select the check box to enable the NetWare port. You can also configure the transport protocol to be used. TCP/IP can be selected simultaneously as the transport protocol.	
	Bonjour (mDNS)	Select the check box to enable the Bonjour(mDNS) feature.	
	E-Mail Alert	Select the check box to enable the E-Mail Alert feature.	
	Telnet	Select the check box to enable Telnet.	
	SNMP	Select the check box to enable the SNMP (Simple Network Management Protocol). You can also configure the transport protocol to be used. UDP and IPX can be selected simultaneously as the transport protocol.	
* ¹ This item is available only when connecting the printer with a wired network.			



NOTE: The settings in the **Port Settings** page will be valid only when the printer is rebooted. When you change or configure the settings, click the **Apply New settings** button to apply new settings.

TCP/IP**Purpose:**

To configure the IP address, subnet mask, and gateway address of the printer.

Values:

	IP Mode	Specifies the IP mode.		
	Host Name	Specifies the host name.		
	IPv4	IP Address Mode	Selects the IP address mode.	
		Manual IP Address	Sets the IP address.	
Manual Subnet		Sets the subnet mask.		

TCP/IP Settings		Mask	
		Manual Gateway Address	Sets the gateway address.
	IPv6	Enable Stateless Address	Select the check box to enable the slateless address.
		Use Manual Address	Select the check box to set the IP address manually.
		Manual Address	Sets the IP address. To specify an IPv6 address, enter the address followed by a slash (/) and then "64". For details, consult your system administrator.
	Manual Gateway Address	Sets the gateway address.	
DNS	DNS Domain Name	Specifies the domain name of the domain name server. Up to 255 alphanumeric characters, periods, and hyphens can be used. If you need to specify more than one domain name, separate them using a comma or semicolon.	
	IPv4	Get DNS Server Address from DHCP	Select the check box to get the DNS server address automatically from the DHCP server.
		Manual DNS Server Address	Sets the DNS server address.
	IPv6	Get DNS Server Address from DHCPv6-lite	Select the check box to get the DNS server address automatically from the DHCPv6-lite server.
		Manual DNS Server Address	Sets the DNS server address.
	DNS Dynamic Update (IPv4)	Select the check box to enable dynamic updates to DNS.	
	DNS Dynamic Update (IPv6)	Select the check box to enable dynamic updates to DNS.	
	Auto Generate Search List	Select the check box to automatically generate the search list.	
	Search Domain Name	Specifies the search domain name. Up to 255 alphanumeric characters, periods, and hyphens can be used. If you need to specify more than one domain name, separate them using a comma or semicolon.	
	Time-out	Specifies the time-out period between 1 and 60 seconds.	
Priority to IPv6 DNS Name Resolution	Select the check box to enable the DNS Name Resolution feature.		
LPD	Connection Time-Out	Sets the connection time-out period from 1 to 1000 seconds.	
	IP Filter (IPv4)	To set the IP Filter settings, click IP Filter (IPv4) . The IP Filter (IPv4) page is displayed.	
Port9100	Port Number	Sets the port number from 9000 to 9999.	
	Connection Time-Out	Sets the connection time-out period between 1 and 1000 seconds.	
	IP Filter (IPv4)	To set the IP Filter settings, click IP Filter (IPv4) . The IP Filter (IPv4) page is displayed.	
IPP	Printer URI	Displays the printer URI.	
	Connection Time-Out	Sets the connection time-out period from 1 to 1000 seconds.	
	Port Number	Displays the port number for receiving requests from the client.	
	Maximum Sessions	Displays the maximum number of connections received simultaneously by the client.	
	Port Number	Sets the port number to 80 or from 8000 to 9999.	

WSD	Receive Time-Out	Sets the receive time-out period from 1 to 65,535 seconds.
	Notification Time-Out	Sets the notification time-out period from 1 to 60 seconds.
	Maximum Number of TTL	Sets the maximum number of TTL from 1 to 10.
	Maximum Number of Notification	Sets the maximum number of notifications from 10 to 20.
FTP	Password	Sets the password for FTP.
	Re-enter Password	Enter the password again to confirm it.
	Connection Time-Out	Sets the connection time-out period from 1 to 1000 seconds.
HTTP	Port Number	Sets the port number to 80 or from 8000 to 9999.
	Simultaneous Connections	Displays the maximum number of connections received simultaneously by the client.
	Connection Time-Out	Sets the connection time-out period from 1 to 255 seconds.
Telnet	Password	Sets the password for Telnet.
	Re-enter Password	Enter the password again to confirm it.
	Connection Time-Out	Sets the connection time-out period from 1 to 1000 seconds.


NetWare

Purpose:

To configure detailed settings for NetWare.

Values:

NetWare	Device Name	Specifies the printer name up to 47 alphanumeric characters. For PServer Mode, set the Print Server Name (Print Server Object Name). The original setting remains valid if no input is made.	
	Active Mode	Directory: PServer Mode	Selects this option when using in Directory: PServer Mode .
		Bindery: PServer Mode	Selects this option when using in Bindery: PServer Mode .
	Tree Name	Specifies the tree name up to 32 alphanumeric characters. Configure this item only when Directory: PServer Mode is selected.	
	Context Name	Specifies the context name of the Print Server Object up to 255 alphanumeric characters. Configure this item only when Directory: PServer Mode is selected.	
	Polling Interval	Sets the time interval from when print data enters the print queue until printing starts. The setting range is from 1 to 1000 seconds. The original setting remains valid if no input is made. Configure this item only when Bindery: PServer Mode or Directory: PServer Mode is selected.	
	Password	Sets the print server password up to 32 alphanumeric characters. Configure this item only when Bindery: PServer Mode or Directory: PServer Mode is selected.	
	Re-enter Password	Enter the password again.	
SLP	Status Information	Displays the status of NetWare.	
	Active Discovery	Select the check box to enable Active Discovery .	

 **NOTE:** The settings in the **NetWare** page will be valid only when NetWare or the printer is rebooted. Click the **Apply New settings** button to apply new settings.

E-Mail Alert

Purpose:

To configure detailed settings for E-Mail Alert. This page can also be displayed by clicking **E-Mail Alert** in the Left Frame.

Values:

E-Mail Server Settings	Primary SMTP Gateway	Sets the primary SMTP gateway.	
	SMTP Port Number	Specifies the SMTP port number. This must be 25, 587 or between 5,000 and 65,535.	
	E-Mail Send Authentication	Specifies the authentication method for outgoing e-mail.	
	SMTP Login User	Specifies the SMTP login user. Up to 63 alphanumeric characters, periods, hyphens, under bars, and at symbols (@) can be used. If specifying more than one address, separate them using commas.	
	SMTP Login Password	Specifies the SMTP account password using up to 31 alphanumeric characters.	
	Re-enter SMTP Login Password	Enter the SMTP account password again to confirm it.	
	POP3 Server Address*¹	Specifies the POP3 server address in IP address format of "aaa.bbb.ccc.ddd" or as a DNS host name using up to 63 characters.	
	POP3 Port Number*¹	Specifies the POP3 server port number. This must be 110 or between 5,000 and 65,535.	
	POP User Name*¹	Specifies the POP3 account user name. Up to 63 alphanumeric characters, periods, hyphens, under bars, and at symbols (@) can be used. If specifying more than one address, separate them using commas.	
	POP User Password*¹	Specifies the POP3 account password using up to 31 alphanumeric characters.	
	Re-enter POP User Password*¹	Enter the POP3 account password again to confirm it.	
	Reply Address	Designates the reply e-mail address sent with each E-mail Alert.	
	SMTP Server Connection	Displays the status of the SMTP server connection.	
E-Mail Alert Settings	E-Mail List 1	Sets acceptable e-mail addresses for the E-Mail Alert feature using up to 255 alphanumeric characters.	
	Select Alerts for List 1	Supplies Alerts	Select the check box to receive an E-Mail Alert for consumables.
		Paper Handling Alerts	Select the check box to receive an E-Mail Alert for paper handling.
		Service Call	Select the check box to receive an E-Mail Alert for Service Calls.
	E-Mail List 2	Sets acceptable e-mail addresses for the E-Mail Alert feature using up to 255 alphanumeric characters.	
	Select Alerts for List 2	Supplies Alerts	Select the check box to receive an E-Mail Alert for consumables.
Paper Handling Alerts		Select the check box to receive an E-Mail Alert for paper handling.	
Service Call		Select the check box to receive an E-Mail Alert for Service Calls.	

*¹ This item is available only when **POP before SMTP for E-Mail Send Authentication** is selected.

Bonjour (mDNS)

Purpose:

To configure the detailed settings for Bonjour.

Values:

Host Name	Specifies the host name up to 63 alphanumeric characters and "-" (dash). The original setting will remain valid if no input is made.
Printer Name	Specifies the printer name up to 63 alphanumeric characters and symbol sets. The original setting will remain valid if no input is made.

SNMP

Purpose:

To configure the detailed settings of SNMP.

Values:

Enable SNMP v1/v2c Protocol	Select the check box to enable the SNMP v1/v2c protocol.
Edit SNMP v1/v2c Properties	Click to display SNMP v1/v2c page and to edit the setting of SNMP v1/v2c protocol from the page.
Enable SNMP v3 Protocol	Select the check box to enable the SNMP v3 protocol.
Edit SNMP v3 Properties	Click to display SNMP v3 page and to edit the setting of SNMP v3 protocol from the page. Without SSL communication is enabled, you cannot click this item.

SNMP v1/v2c

Purpose:

To edit the detailed settings of SNMP v1/v2c protocol.

To enter this page, click **Edit SNMP v1/v2c Properties** in the **SNMP** page.

Values:

Community Name (Read only)*¹	Specifies the community name to access (read only) data using up to 31 alphanumeric characters. The original setting will remain valid if no input is made. Characters entered for community name in the previous settings will not be displayed on the screen. The default Read Community is public.
Re-enter Community Name (Read only)*¹	Enter the community name to access (read only) data again to confirm it.
Community Name (Read/Write)*¹	Specifies the community name to access (read and write) data using up to 31 alphanumeric characters. The original setting will remain valid if no input is made. Characters entered for community name in the previous settings will not be displayed on the screen. The default Read/Write Community is private.
Re-enter Community Name (Read/Write)*¹	Enter the community name to access (read and write) data again to confirm it.
Community Name (Trap)*¹	Specifies the community name used for trap up to 31 alphanumeric characters. The original settings will remain valid if no input is made. Characters entered for Community Name (Trap) in the previous settings will not be displayed on the screen. The default Trap Community is " " (NULL).

Re-enter Community Name (Trap) *1	Enter the community name used for trap again to confirm it.
Trap Notification 1-4	<p>Select the check boxes to notify trap occurrence. In this case, specify the IP address and IP socket in the following format:</p> <ul style="list-style-type: none"> • IPv4 <p>Specify the IP address and IP socket in the nnn.nnn.nnn.nnn:mmmmm format. Each section of "nnn" is a variable value between 0 and 255. Note that values 127 and 224-254 are not valid for the first three-digits only. IP socket mmmmm is a variable value between 0 and 65,535.</p> <ul style="list-style-type: none"> • IPv6 <p>Specify the IP address and IP socket in the xxxx:xxxx:xxxx:xxxx:xxxx:xxxx:xxxx:xxxx:mmmmm format. Each section of "xxxx" is a hexadecimal variable value between 0 and ffff. IP socket mmmmm is a variable value between 0 and 65,535.</p>
Authenticate Error Trap	Select the check box to notify Authenticate Error Trap.
*1 The default value of each items can be changed by using Dell Printer Configuration Web Tool.	

SNMP v3

Purpose:

To edit the detailed settings of SNMP v3 protocol.

To enter this page, click **Enable SNMP v3 Protocol** in the **SNMP** page.

Values:

Administrator Account	Account Enabled	Select the check box to enable the administrator account.
	User Name	Enter the user name of the administrator account.
	Authentication Password	Specifies the authentication password of the administrator account using 8 to 32 alphanumeric characters.
	Re-enter Authentication Password	Enter the authentication password of the administrator account again to confirm it.
	Privacy Password	Specifies the privacy password of the administrator account using 8 to 32 alphanumeric characters.
	Re-enter Privacy Password	Enter the privacy password of the administrator account again to confirm it.
Print Drivers / Remote Client Account	Account Enabled	Select the check box to enable the print drivers and remote client account.
	Reset to default Password	Click to reset the password for the print drivers and remote client account to default.

Wireless LAN

Purpose:

To configure the detailed setting for the wireless network.

To use the wireless adapter, be sure to disconnect the network cable.

 **NOTE:** Once wireless LAN is activated, wired LAN protocol will be disabled.

Values:

	SSID	Specifies the name that identifies the wireless network. Up to 32 alphanumeric characters.
--	-------------	--

Wireless Settings	Network Type	Specifies the network type from either Ad-Hoc or Infrastructure .	
	MAC Address	Displays the MAC address of the printer's wireless network adapter.	
	Link Channel	Displays the channel number of the printer's wireless connection.	
	Link Quality	Displays the quality of the printer's wireless network connection.	
Security Settings	Encryption	Select the security method from the list.	
		No Security	Specifies No Security to configure the wireless setting without specifying a security method from WEP, WPA-PSK, and WPA-Enterprise.
		WEP	Specifies the WEP to use through the wireless network.
		WPA-PSK(WPA2-PSK) *1, 2	Specifies the WPA-PSK to use through the wireless network.
		WPA-Enterprise(WPA2-Enterprise) *2, 3, 4	Specifies the WPA-Enterprise to use through the wireless network.
WEP	Encryption	Select the WEP key code from either Hex or Ascii .	
	WEP Key 1	Specifies the WEP key set used through the wireless network only when WEP 128bit or WEP 64bit is selected for Encryption .	
	Re-enter WEP Key 1	Enter the WEP key 1 again to confirm it.	
	WEP Key 2	Specifies the WEP key set used through the wireless network only when WEP 128bit or WEP 64bit is selected for Encryption .	
	Re-enter WEP Key 2	Enter the WEP key 2 again to confirm it.	
	WEP Key 3	Specifies the WEP key set used through the wireless network only when WEP 128bit or WEP 64bit is selected for Encryption .	
	Re-enter WEP Key 3	Enter the WEP key 3 again to confirm it.	
	WEP Key 4	Specifies the WEP key set used through the wireless network only when WEP 128bit or WEP 64bit is selected for Encryption .	
	Re-enter WEP Key 4	Enter the WEP key 4 again to confirm it.	
	Transmit Key	Specifies the transmit key type from the list.	
WPA-PSK	Pass Phrase	Specifies the pass phrase.	
	Re-enter Pass Phrase	Enter the pass phrase again to confirm it.	
WPA-Enterprise *4, 5	Encryption Method	Shows the encryption method.	
	Login Name	Specifies the login name for the authentication.	
	EAP-Identity	Specifies the EAP-Identity for the authentication.	
	Password	Specifies the password.	
	Re-enter Password	Enter the password again to confirm it.	

- *1 For encryption, AES or TKIP method is used.
- *2 This item is available only when the Infrastructure mode is selected for Network Type.
- *3 For authentication and encryption by digital certificate, AES or TKIP method is used.
- *4 This item is displayed only when the optional hard disk is installed and is set to On for encryption.
- *5 To activate the setting, import a certificate which supports wireless LAN (server) on the **SSL/TLS** pages, and enable the relevant certificate in advance.

 **NOTE:** This item is available only when connecting the printer with a wireless network.

 **NOTE:** The optional wireless adapter supports WEP, WPA-PSK-TKIP, WPA-PSK-AES, and WPA-PSK-AES.

Reset Print Server

Purpose:

To initialize non-volatile RAM (NVRAM) for the network feature and reboot the printer. You can also initialize the printer's NVRAM from **Reset Defaults** in the **Printer Settings** menu.

Values:

Initialize NIC NVRAM Memory and restart printer	Click the Start button to initialize NVRAM. Network settings will revert to the factory default settings and reboot the network capability.
Restart Printer	Click the Start button to reboot the printer.

Security


The **Security** tab includes **Set Password**, **Authentication System**, **Kerberos Server**, **LDAP Server**, **LDAP Authentication**, **SSL/TLS**, **IPsec**, **802.1x** and **IP Filter(IPv4)**.

Set Password

Purpose:

To set or change the password that is required to access the printer's setup parameters from the **Dell Printer Configuration Web Tool**.

Set the password of the operator panel from **Panel Lock** in the **Printer Settings**. This page can also be displayed by clicking **Set Password** in the Left Frame.

 **NOTE:** To restore the password to the default (NULL), initialize the non-volatile memory (NVM).

Values:

Administrator Password	Sets the password using up to 10 alphanumeric characters. The password will appear as asterisks (*) in the field when it is entered.
Re-enter Administrator Password	Enter the password again to confirm.
Access denial by the authentication failure of the Administrator	Specifies the amount of time the administrator should wait for the access to the printer's setup from Dell Printer Configuration Web Tool. Sets the time period from 5 up to 255 seconds. The access is denied if the time-out time is exceeded. If you set 0, this mode is disabled.

Authentication System

Purpose:

To specify the server authentication type, the server response time-out, or the search time-out.

Values:

Authentication System Settings	Select the authentication system from the list.
Server Response Time-Out	Specifies the amount of time the printer should wait for response from the server. Sets the time period from 1 up to 75 seconds.
Search Time-Out	Specifies the amount of time the printer should wait for searching for the server. Sets the time period from 5 up to 120 seconds.

Kerberos Server

Purpose:

To specify the settings for the Kerberos Server.

Values:

Primary Server Name / IP Address & Port	Sets the primary server name or IP address, and the port address. The port address must be 88 or between 5,000 and 65,535.
Secondary Server Name / IP Address & Port	Sets the secondary server name or IP address, and the port address. The port address must be 88 or between 5,000 and 65,535.
Domain Name	Enter the domain name.

LDAP Server

Purpose:

To specify the settings of the LDAP server.

Values:

Server Information	IP Address / Host Name & Port	Sets IP address or the host name, and the port address. The port address must be 389, 636 or between 5,000 and 65,535.
	Backup IP Address / Host Name & Port	Sets backup IP address or the host name, and the port address. The port address must be 389, 636 or between 5,000 and 65,535.
	LDAP Server	Displays the current software information of the LDAP server.
Operation Information	Search Directory Root	Enter the search directory root.
	Login Name	Enter the login name of the administrator.
	Password	Enter the administrator password using 1 to 127 alphanumeric characters. If the password is left blank (NULL), you cannot log in to a server.
	Re-enter-Password	Enter the administrator password again to confirm it.
	Search Time-Out	Select Wait LDAP Server Limit and the specified wait time. The specified wait time must be between 5 and 120 seconds.

LDAP Authentication

Purpose:

To specify the LDAP server authentication method.

Values:

Authentication Method	Shows the authentication method.
Use Added Text String	Select whether to use the added text string from the list.

Text String Added to User Name | Enter the **added text string**.

SSL/TLS

Purpose:

To specify the settings for the SSL encryption communication to the printer, and set/delete the certificate used for IPsec, LDAPS, or Wireless LAN.

Values:

HTTP-SSL/TLS Communication * ¹	Select the check box to enable the HTTP-SSL/TLS Communication .	
HTTP-SSL/TLS Communication Port Number	Specifies the port number, which is not identical with that of HTTP for SSL/TLS . This must be 443 or between 8000 and 9999.	
LDAP-SSL/TLS Communication * ^{1, 2}	Select the check box to enable the LDAP, and access is established using SSL/TLS communication.	
Verify Remote Server Certificate * ²	Select the check box to enable the Verify Remote Server Certificate function.	
Generate Self-Signed Certificate * ³	Click to display Generate Self-Signed Certificate page and to create a security certification from the page. The Generate Self-Signed Certificate button is available only when the self-signed certificate is not generated.	
	Size of Public Key	Select the size of public key.
	Issuer	Specifies the issuer of SSL self-signed certificate.
	Generate Signed Certificate	Click to generate the SSL self-signed certificate.
Upload Signed Certificate * ^{3, 4}	Click to display Upload Signed Certificate page and to upload the certificate file to the device from the page.	
	Password	Enter the password to upload the certificate file.
	Re-enter Password	Enter the password again for confirmation.
	Search Directory Root	Click the Browse button, browse the file name to upload to the device.
	Import	Click the Import button to upload the certificate file to the device.
Certificate Management * ^{3, 4}	Click to display Certificate Management page and to manage a security certification from the page.	
	Category	Select the device to certificate.
	Certificate Purpose	Select the connection to certificate.
	Certificate Order	Select the order to certificate.
	Display the List	Click to display the Certificate List page.
Certificate List * ³	Category	Displays the device to certificate selected at Certificate Management page.
	Certificate Purpose	Select the connection to certificate selected at Certificate Management page.
	Issued To	Displays the list of certificate order.
	Validity	Displays whether certificate is valid or not.
	Certificate Details	Display the Certificate Details page. The Certificate Management page is displayed when no item in the Issued to column is selected.

Certificate Details * ³	Category	Displays the device to certificate selected at Certificate Management page or SSL/TLS page.
	Issued To	Displays the device to certificate.
	Issuer	Displays the issuer to certificate.
	Serial Number	Displays the serial number of the device.
	Size of Public Key	Display Size of Public Key .
	Valid From	Displays the time the certificate is valid.
	Valid Until	Displays the time the certificate is invalid.
	Status	Displays whether certificate is valid or not.
	Certificate Purpose	Displays the purpose of certificate.
	Certificate Selection Status	Displays the type of device certificate you selected.
	E-mail Address	Displayed only when an e-mail address is specified in the certificate.
	Use This Certificate * ²	Click to apply this certificate to the device.
	Delete	Click to delete this certificate.
Export This Certificate * ²	Click to export the certificate to the other device.	

*¹ This item is available only when the self-signed certificate has been generated.

*² This item is displayed only when the optional hard disk is installed and is set to On for encryption.

*³ This item is effective only when connected via SSL/TLS (https). Only the administrator is allowed to display the pages.

*⁴ This item is displayed only when the optional hard disk is installed and is set to On for encryption. If not, "Certificate Details" is displayed.

IPsec


Purpose:

To specify the Security Architecture settings for Internet Protocol (IPsec) for encrypted communication to the printer.

Values:

Protocol	Select the check box to enable the protocol.
IKE	Select IKE authentication. Digital Signature is displayed on the list only when an effective digital signature is set up.
Pre-Shared Key * ¹	Specifies a shared key when Pre-Shared Key is selected for the IKE setting. Up to 255 alphanumeric characters, periods, and hyphens can be used.
Re-enter Pre-Shared Key	Enter the shared key again to confirm it.
Device Certificate * ¹	Displays the device certificate.
IKE SA Lifetime	Sets the lifetime for IKE SA from 5 to 28,800 minutes.
IPsec SA Lifetime	Sets the lifetime for IPsec SA from 5 to 2,880 minutes.
DH Group	Selects the DH group.
PFS	Selects the check box to enable the PFS setting.
Remote peers IPv4 address	Specifies the IP address to connect to.

Remote peers IPv6 address	Specifies the IP address to connect to.
Non IPsec communication policy	Selects whether or not to communicate with a device which does not support IPsec.
* ¹ This item is effective only when the optional hard disk is installed and is set to On for encryption.	

 **NOTE:** If IPsec is enabled with incorrect settings, you must disable it using the **Reset IPsec** menu on the operator panel.

802.1x

Purpose:

To specify the settings for IEEE 802.1x authentication for encrypted communication to the printer.

Values:

Enable IEEE 802.1x	Select the check box to enable IEEE 802.1x authentication.	
Authentication Method	EAP-MD5	Select the authentication method to use for IEEE 802.1x authentication.
	EAP-MS-CHAPv2	
	PEAP/MS-CHAPv2	
Login Name: (Device Name)	Specifies the login name (device name) for IEEE 802.1x authentication using up to 128 alphanumeric characters.	
Password	Specifies the login password for IEEE 802.1x authentication using up to 128 alphanumeric characters.	
Re-enter Password	Enter the login password again to confirm it.	

IP Filter

Purpose:

To specify the IP address and subnet mask to be permitted or denied access to the printer.

Values:

Address	Specifies the IP addresses that are permitted or denied access to the printer. Enter a numeric value between 0 and 255 in each field.	
Address Mask	Specifies the subnet mask that are permitted or denied access to the printer. Enter a numeric value between 0 and 255 in each field.	
Active Mode	Reject	Rejects printing from specified network address.
	Permit	Permits printing from specified network address.
	Disabled	Disables the IP Filter feature for the specified IP address.

Copy Printer Settings

The **Copy Printer Settings** menu includes the **Copy Printer Settings** and **Copy Printer Settings Report** pages.

Copy Printer Settings

Purpose:

To copy the printer settings and ColorTrack (Internal Setting) to one or more of the same model of the printer.


To copy the settings to another printer, specify the IP address and password of the printer to which the settings are copied in the **IP Address** text box and **Password** text box. Then, click the **Copy the settings to the Host in the above list** button. Copying the settings is complete. The connection time-out period is 60 seconds. After that, you can check whether the settings were copied to this page. And you need to click the **Copy the settings to the Host in the above list and reboot the machine** button of the **Dell Printer Configuration Web Tool** in the destination printer to verify if the settings were actually copied or not.

If the settings can be copied but printer configuration is different, the settings of only the same items are copied. Printer settings are simultaneously copied to printer of up to 10 IP addresses.

Copy Printer Settings Report

Purpose:

To verify the histories of copying.

 **NOTE:** The print history is cleared when you turn off the printer.

Print Volume

The **Print Volume** menu includes the **Print Volume** and **Dell ColorTrack** pages.

Print Volume

Purpose:

To verify the number of printed pages. This page can also be displayed by clicking **Print Volume** in the Left Frame.

Values:

Printer Page Count	Displays the total number of pages printed since the printer was shipped from the factory.
Paper Used	Displays the number of pages printed for each paper size.

Dell ColorTrack

Purpose:

To specify which users have access to color printing and to limit print volume per user.

Values:

ColorTrack Mode	Off	Enables to print the data with no authentication information.
	Internal Mode	Restricts printing based on the print user information registered in the internal server.
	External Mode	Restricts printing based on the print user information registered in the external server.
No Account User Print	Specifies whether to permit the printing of data with no authentication information. To permit the printing for non-account user, set to On.	
ColorTrack Error Report	Specifies whether to automatically print error-related information if printing using ColorTrack results in an error.	
No-account User Password*¹	Specifies the password to be used for non-account user using 1 to 127 alphanumeric characters. If the password is left blank (NULL), you cannot log in to a server.	
Re-enter No-account User Password*¹	Enter the password again to confirm it.	
	Click Edit User Registration to display the Edit Print User Registration page. <ul style="list-style-type: none"> To register a user, click Create to open the Print User Settings page. 	

To delete a user, click **Delete** to open the **Delete User** page. Clicking the **Back** button returns the screen to the status prior to deleting the user.

- To confirm or change the registered user, click **Confirm/Change** to open the **Print User Settings** page.

User Registration*²

User Registration No.	Displays the user registration number. The Delete User button is displayed when the user is already registered.
User Name	Specifies the user name.
Password	Specifies the user password using 4 to 12 alphanumeric characters.
Re-enter password	Enter the password again to confirm it.
Color Mode Limitation	Specifies whether to limit color printing.
Upper Limit for Color Print	Specifies the maximum number of pages allowed for color printing.
Cumulative Color Page Count	Displays the cumulative number of pages printed for color printing.
Upper Limit for Monochrome Print	Specifies the maximum number of pages allowed for monochrome printing.
Cumulative Monochrome Page Count	Displays the cumulative number of pages printed for monochrome printing.

Setup Remote Authentication*³

Click to display **Authentication System** page.

*¹ The password must be set when External Mode is selected for ColorTrack Mode and No Account User Print is set to on.

*² This item is displayed only when ColorTrack Mode is Internal Mode.

*³ This item is displayed only when ColorTrack Mode is External Mode.

Tray Settings

Use the **Tray Settings** menu to set the paper size and type of paper loaded in the trays.

Values:

Tray 1 Paper Type	Sets the type of paper loaded in the first tray from the top.
Tray 1 Paper Size	Sets the size of paper loaded in the first tray from the top.
Tray 1 Custom Size - Y	Sets the length of custom size paper loaded in the first tray from the top.
Tray 1 Custom Size - X	Sets the width of custom size paper loaded in the first tray from the top.
Tray 2 Paper Type*¹	Sets the type of paper loaded in the second tray from the top.
Tray 2 Paper Size*¹	Sets the size of paper loaded in the second tray from the top.
Tray 2 Custom Size - Y*¹	Sets the length of custom size paper loaded in the second tray from the top.
Tray 2 Custom Size - X*¹	Sets the width of custom size paper loaded in the second tray from the top.
Tray 3 Paper Type*¹	Sets the type of paper loaded in the third tray from the top.
Tray 3 Paper Size*¹	Sets the size of paper loaded in the third tray from the top.

Size*	
Tray 3 Custom Size - Y*¹	Sets the length of custom size paper loaded in the third tray from the top.
Tray 3 Custom Size - X*¹	Sets the width of custom size paper loaded in third tray from the top.
Tray 4 Paper Type*²	Sets the type of paper loaded in the fourth tray from the top.
Tray 4 Paper Size*²	Sets the size of paper loaded in the fourth tray from the top.
Tray 4 Custom Size - Y*²	Sets the length of custom size paper loaded in the fourth tray from the top.
Tray 4 Custom Size - X*²	Sets the width of custom 4 size paper loaded in the fourth tray from the top.
Tray 5 Paper Type*²	Sets the type of paper loaded in the fifth tray from the top.
Tray 5 Paper Size*²	Sets the size of paper loaded in the fifth tray from the top.
Tray 5 Custom Size - Y*²	Sets the length of custom size paper loaded in the fifth tray from the top.
Tray 5 Custom Size - X*²	Sets the width of custom size paper loaded in the fifth tray from the top.
MPF Mode	Sets the paper size and type when paper is loaded in the MPF.
Display Popup*³	Sets whether to display a popup message that prompts to set the paper size and type when paper is loaded in the tray 1.
MPF Paper Type*³	Sets the type of paper loaded in the MPF.
MPF Paper Size*³	Sets the size of paper loaded in the MPF.
MPF Custom Size - Y*³	Sets the length of custom size paper loaded in the MPF.
MPF Custom Size - X*³	Sets the width of custom size paper loaded in the MPF.
<p>*¹ This item is available only when the optional 550-sheet feeder or 1100-sheet feeder is installed.</p> <p>*² This item is available only when the optional 1100-sheet feeder is installed.</p> <p>*³ This item is displayed only when Panel Specified is selected for MPF Mode.</p>	

[Back to Contents Page](#)

Print Media Guidelines

- [Paper](#)
- [Transparencies](#)
- [Envelopes](#)
- [Labels](#)
- [Storing Print Media](#)
- [Identifying Print Media and Specifications](#)

Print media is paper, labels, envelopes, and coated paper among others. Your printer provides high-quality printing on a variety of print media. Selecting the appropriate print media for your printer helps avoid printing troubles. This section describes selecting print media, caring for print media, and loading the print media in the tray 1 or optional 550-sheet feeder.

Paper

For the best print quality in color, use 75 g/m² (20 lb) xerographic, grain long paper. For the best print quality in black and white, use 90 g/m² (24 lb) xerographic, grain long paper. It is recommended that you try a sample first before buying large quantities of any print media.

When loading paper, identify the recommended print side on the paper package, and load the paper accordingly. See "[Loading Print Media in Standard and Optional Trays](#)" and "[Loading Print Media in the MPF](#)" for detailed loading instructions.

Paper Characteristics

The following paper characteristics affect print quality and reliability. It is recommended that you follow these guidelines when evaluating new paper stock.

Weight

The tray automatically feeds paper weights from 60 to 216 g/m² (16 to 80 lb bond) grain long. The multipurpose feeder (MPF) automatically feeds paper weights from 60 to 216 g/m² (16 to 80 lb bond) grain long. Paper lighter than 60 g/m² (16 lb) may not feed properly, and could cause paper jams. For best performance, use 75 g/m² (20 lb bond) grain long paper.

Curl

Curl is the tendency of print media to curve at its edges. Excessive curl can cause paper feeding problems. Curl usually occurs after the paper passes through the printer, where it is exposed to high temperatures. Storing paper unwrapped, even in the paper tray, can contribute to paper curling prior to printing and cause feeding problems regardless of humidity. When printing on curled paper, straighten the paper and then insert it into the MPF.

Smoothness

The degree of paper smoothness directly affects print quality. If the paper is too rough, the toner does not fuse to the paper properly, resulting in poor print quality. If the paper is too smooth, it can cause paper feeding problems. Smoothness between 150 and 250 Sheffield points produces the best print quality.

Moisture Content

The amount of moisture in the paper affects both print quality and the ability of the printer to feed the paper properly. Leave the paper in its original packaging until you are ready to use it. This limits the exposure of the paper to moisture changes that can degrade its performance.

Grain Direction

Grain refers to the alignment of the paper fibers in a sheet of paper. Grain is either grain long, running the length of the paper, or grain short, running the width of the paper. For 60 to 135 g/m² (16 to 36 lb bond) paper, grain long fibers are recommended. For paper heavier than 135 g/m² (36 lb bond), grain short is preferred.

Fiber Content

Most high-quality xerographic paper is made from 100% chemically pulped wood. Paper containing fibers such as cotton possess characteristics that can result in degraded paper handling.

Recommended Paper

To ensure the best print quality and feed reliability, use 75 g/m² (20 lb) xerographic paper. Business paper designed for general business use also provide acceptable print quality. Only use paper able to withstand high temperatures without discoloring, bleeding, or releasing hazardous emissions. The laser printing process heats paper to high temperatures. Check with the manufacturer or vendor to determine whether the paper you have chosen is acceptable for laser printers.

Always print several samples before buying large quantities of any type of print media. When choosing any print media, you should consider the weight, fiber content, and color.

Unacceptable Paper

The following paper types are not recommended for use with the printer:

- Chemically treated paper used to make copies without carbon paper, also known as carbonless paper, carbonless copy paper (CCP), or no carbon required (NCR) paper
- Preprinted paper with chemicals that may contaminate the printer
- Preprinted paper that can be affected by the temperature in the fuser
- Preprinted paper that require a registration (the precise print location on the page) greater than ± 0.09 inches, such as optical character recognition (OCR) forms

In some cases, you can adjust registration with your software program to successfully print on these forms.

- Coated paper (erasable bond), synthetic paper, thermal paper
- Rough-edged, rough or heavily textured surface paper, or curled paper
- Recycled paper containing more than 25% post-consumer waste that do not meet DIN 19 309
- Multiple-part forms or documents
- Print quality may deteriorate (blank spaces or blotches may appear in the text) when printing on talc or acid paper.

Selecting Paper

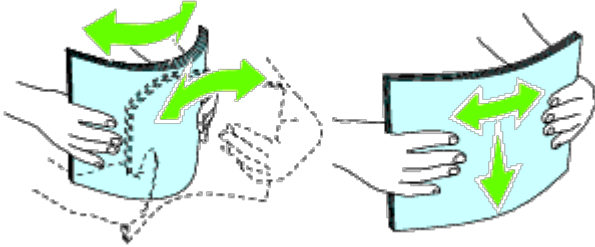
Proper paper selection helps prevent jams and ensures trouble-free printing.

To help avoid jams or poor print quality:

- Always use new, undamaged paper.
- Before loading the paper, identify the recommended print side of the paper. This information is usually indicated on

the paper package.

- Do not use paper that you have cut or trimmed yourself.
- Do not mix print media sizes, weights, or types in the same source. This may result in a paper jam.
- Do not remove the tray while a job is printing.
- Ensure that the paper is properly loaded in the tray.
- Flex paper back and forth, and then fan them. Straighten the edges of the stack on a level surface.



Selecting Preprinted Media and Letterhead

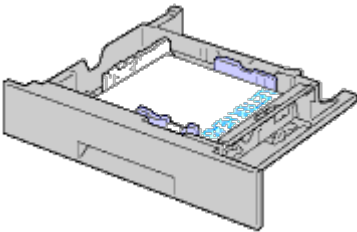
When selecting preprinted media and letterhead paper for the printer:

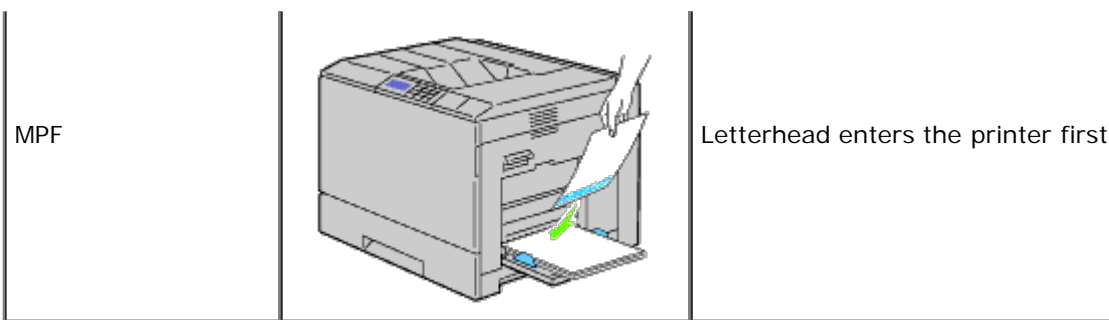
- Use grain long paper for best results.
- Use only media and letterhead printed using an offset lithographic or engraved printing process.
- Select paper that absorb ink, but do not bleed.
- Avoid paper with rough or heavily textured surfaces.
- Use paper printed with heat-resistant inks designed for use in xerographic copiers. The ink must withstand temperatures of 225°C (437°F) without melting or releasing hazardous emissions.
- Use inks that are not affected by the resin in toner or the silicone in the fuser. Inks that are oxidation-set or oil-based should meet these requirements; latex inks might not. If you are in doubt, contact your paper supplier.

Printing on Letterhead

Check with the manufacturer or vendor to determine whether the pre-printed letterhead you have selected is acceptable for laser printers.

Page orientation is important when printing on letterhead. Use the following table for help when loading letterhead in the print media sources.

Print media source	Print side	Page orientation
Tray 1 550-sheet feeder 1100-sheet feeder	Face up 	Letterhead enters the printer first
	Face down	



Selecting Pre-Punched Paper

Pre-punched paper brands can differ in the number and placement of holes and in manufacturing techniques. However, it may not be possible to print on the paper to depending on the placement of holes on the paper.

To select and use pre-punched paper:

- Test paper from several manufacturers before ordering and using large quantities of pre-punched paper.
- Paper should be punched at the paper manufacturer and not drilled into paper already packaged in a ream. Drilled paper can cause jams when multiple sheets feed through the printer. This may result in a paper jam.
- Pre-punched paper can include more paper dust than standard paper. Your printer may require more frequent cleaning and feed reliability may not be as good as standard paper.
- Weight guidelines for pre-punched paper are the same as non-punched paper.

Transparencies

You can load up to 75 sheets of transparencies in the MPF or tray 1 for a single print job. It is recommended that you try a sample first before buying large quantities of any print media.


When printing on transparencies:

- Set the paper type to **Transparency** from the printer driver to avoid damaging your printer.
- Use transparencies designed specifically for laser printers. Do not use regular transparencies. Transparencies must be able to withstand temperatures of 205°C (401°F) without melting, discoloring, offsetting or releasing hazardous emissions.
- Avoid getting fingerprints on the transparencies. This may result in poor print quality.
- Before loading transparencies, fan the stack to prevent sheets from sticking together.
- Non-white transparencies are not supported with the printer.

Selecting Transparencies

The printer can print directly on transparencies designed for use in laser printers. Print quality and durability depend on the transparency used. It is recommended that you try a sample first before buying large quantities of any print media.

The paper type setting for the MPF should be set to *Transparency* to help prevent jams. (See "[Tray Settings](#)" for detailed information about this setting.) Check with the manufacturer or vendor to determine whether your transparencies are compatible with laser printers that reach temperatures as high as 205°C (401°F). Only use transparencies that are able to withstand these temperatures without melting, discoloring, offsetting, or releasing hazardous emissions.

 **NOTE:** For the tray 1, setting paper size is not required. The tray 1 detects the paper size automatically. For more information on supported paper size for the standard and optional trays, see "[Supported Paper Sizes](#)."

Envelopes

Depending on the choice of envelopes, it is possible to expect variable levels of light wrinkling. It is recommended that you try a sample first before buying large quantities of any print media. See "[Loading Print Media](#)" for instructions on loading an envelope.

When printing on envelopes:

- Use only high-quality envelopes that are designed for use in laser printers.
- Set the print media source to the MPF or tray 1. Set the paper type to **Envelope**, and select the correct size of envelope from the printer driver.
- For best performance, use envelopes made from 75 g/m² (20 lb bond) paper. You can use up to 105 g/m² (28 lb bond) weight for the envelope feeder as long as the cotton content is 25% or less. Envelopes with 100% cotton content must not exceed 90 g/m² (24 lb bond) weight.
- Use only freshly unpacked, undamaged envelopes.
- Use envelopes that can withstand temperatures of 205°C (401°F) without sealing, excessive curling, wrinkling, or releasing hazardous emissions. If you have any doubts about the envelopes you are considering, check with the envelope supplier.
- Adjust the guide to fit the width of the envelopes.
- To load envelope in the MPF, insert the envelopes with the flaps closed and the short-edge of the envelopes facing into the printer. The print side must be facing down.
- See "[Loading Print Media in the MPF](#)" for instructions on loading an envelope.
- Use one envelope size during a print job.
- Ensure the humidity is low because high humidity (more than 60%) and the high printing temperatures may seal the envelopes.
- For best performance, do not use envelopes that:
 - Have excessive curl or twist
 - Are stuck together or damaged in any way
 - Contain windows, holes, perforations, cutouts, embossing
 - Use metal clasps, string ties, or metal folding bars
 - Have an interlocking design
 - Have postage stamps attached
 - Have any exposed adhesive when the flap is in the sealed or closed position
 - Have nicked edges or bent corners
 - Have rough, cockle, or laid finishes



NOTE: You can load envelopes also on the tray 1. For more information, see "[Loading an Envelope in Standard Trays](#)."

Labels

Your printer can print on many labels designed for use with laser printers. Label adhesives, face sheet (printable stock), and topcoats must be able to withstand temperatures of 205°C (401°F) and pressure of 25 pounds per square inch (psi). It is recommended that you try a sample first before buying large quantities of any print media.

When printing on labels:

- Set the paper type to **Label** from the printer driver.
- Do not load labels together with paper in the same tray. This may result in a jam.
- Do not use label sheets with a slick backing material.

- Do not print within 1 mm (0.04 inches) of the die cut.
- Use full label sheets. Partial sheets may cause labels to peel off during printing, resulting in a jam. Partial sheets also contaminate your printer and your cartridge with adhesive, and could void your printer and cartridge warranties.
- Use labels that can withstand temperatures of 205°C (401°F) without sealing, excessive curling, wrinkling, or releasing hazardous emissions.
- Do not print within 1 mm (0.04 inches) of the edge of the label, of the perforations, or between die-cuts of the label.
- Do not use label sheets that have adhesive to the edge of the sheet. It is recommended that zone coating of the adhesive is at least 1 mm (0.04 inches) away from edges. Adhesive material contaminates your printer and could void your warranty.
- If zone coating of the adhesive is not possible, a 3 mm (0.125 inches) strip should be removed on the leading and driver edge, and a non-oozing adhesive should be used.
- Remove a 3 mm (0.125 inches) strip from the leading edge to prevent labels from peeling inside the printer.
- Portrait orientation is preferred, especially when printing bar codes.
- Do not use labels that have exposed adhesive.

Storing Print Media

For proper print media storage, the following guidelines help avoid media feeding problems and uneven print quality.

- For best results, store print media in an environment where the temperature is approximately 21°C (70°F) and the relative humidity is 40%.
- Store cartons of print media on a pallet or shelf, rather than directly on the floor.
- If you store individual packages of print media out of the original carton, ensure that they rest on a flat surface so that the edges do not buckle or curl.
- Do not place anything on top of the print media packages.

Identifying Print Media and Specifications

The following tables provide information on standard and optional print media.

Supported Paper Sizes

	MPF	Standard Tray	Option Tray	Duplexer	Output Expander (Sheet* ¹)	Output Expander (Set* ²)
A4 (210 x 297 mm)	Y	Y	Y	Y	N	Y
A5 (148 x 210 mm)	Y	Y	Y	Y	Y	N
B5 (182 x 257 mm)	Y	Y	Y	Y	N	Y
Letter (8.5 x 11 in.)	Y	Y	Y	Y	N	Y
Folio (8.5 x 13 in.)	Y	Y	Y	Y	N	Y
Legal	Y	Y	Y	Y	N	Y

(8.5 x 14 in.)						
Executive (7.25 x 10.5 in.)	Y	Y	Y	Y	N	Y
Envelope #10 (4.125 x 9.5 in.)	Y	Y*3	N	N	Y	N
Monarch (3.875 x 7.5 in.)	Y	Y*3	N	N	Y	N
DL (4.25 x 8.75 in.)	Y	Y*3	N	N	Y	N
C5 (9 x 6.5 in.)	Y	Y*3	N	N	Y	N
Custom	Y	Y	Y	Y	Y	Y

*1: In this mode, each page is output separately to the stacker tray.

*2: In this mode, the document is sorted into sets or jobs and output to the stacker tray.

*3: To print envelopes using the standard tray, you must select the kind of the envelope in the Tray1 Settings. For details, see "[Understanding the Printer Menus.](#)"

Supported Paper Types

		MPF		Standard Tray		Option Tray		Duplexer		Output Expander (Sheet* ¹)		Output Expander (Set* ²)	
		One-sided	Two-sided	One-sided	Two-sided	One-sided	Two-sided	One-sided	Two-sided	One-sided	Two-sided	One-sided	Two-sided
Plain	Normal	Y	Y	Y	N	Y	N	Y	N	N	N	Y	N
	Thick	Y	Y	Y	N	Y	N	Y	N	N	N	Y	N
Covers	Normal	Y	Y	Y	N	Y	N	Y	N	N	N	Y	N
	Thick	Y	Y	Y	N	Y	N	N	N	N	N	Y	N
Coated	Normal	Y	Y	Y	N	N	N	Y	N	Y	N	N	N
	Thick	Y	Y	Y	N	N	N	N	N	Y	N	N	N
Label	Normal	Y	N	Y	N	N	N	N	N	Y	N	N	N
Envelope		Y	N	Y	N	N	N	N	N	Y	N	N	N
Recycled		Y	Y	Y	N	Y	N	Y	N	N	N	Y	N
Transparency		Y	N	Y	N	N	N	N	N	Y	N	N	N

*1: In this mode, each page is output separately to the stacker tray.

*2: In this mode, the document is sorted into sets or jobs and output to the stacker tray.

Paper Type Specifications

Paper type	Weight (gsm)	Remarks
Plain Paper	60-80	-
Plain Thick Paper	81-105	-
Covers	106-162	-
Covers Thick	163-216	-
Coated Normal	106-162	Inkjet printer paper cannot be used.

Coated Thick	163-216	Inkjet printer paper cannot be used.
Transparency	-	Inkjet printer paper cannot be used.
Label Normal	-	Inkjet printer paper cannot be used.
Label Thick	-	Inkjet printer paper cannot be used.
Envelopes	-	-
Recycled	-	-

[Back to Contents Page](#)

Loading Print Media

- [Capacity](#)
- [Print Media Dimensions](#)
- [Loading Print Media in Standard and Optional Trays](#)
- [Loading Print Media in the MPF](#)
- [Linking Trays](#)
- [Using the Duplex Function](#)
- [Using the Center Output Tray](#)
- [Using the Stacker Tray](#)

Loading print media properly helps prevent jams and ensures trouble-free printing.

Before loading print media, identify the recommended print side of the print media. This information is usually on the print media package.

 **NOTE:** After loading paper in the tray, specify the same paper type on the operator panel.

Capacity

The tray 1 can hold:

- 550 sheets of standard paper.

The optional 550-sheet feeder can hold:

- 550 sheets of standard paper.

The optional 1100-sheet feeder can hold:

- 1100 sheets of standard paper.

The MPF can hold:

- 150 sheet of the standard paper.
-

Print Media Dimensions


The standard and optional trays accept print media within the following dimensions:


- Width - 98.4 mm (Monarch) to 215.9 mm (8.5 inches)
- Length - 190.5 mm (Monarch) to 355.6 mm (14.00 inches)

The MPF accepts print media within the following dimensions:

- Width - 76.2 mm (3.00 inches) to 215.9 mm (8.5 inches)
 - Length - 127 mm (5.00 inches) to 355.6 mm (14.00 inches)
-

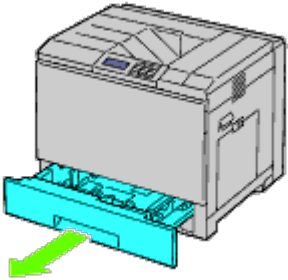
Loading Print Media in Standard and Optional Trays

 **NOTE:** To avoid paper jams, do not remove the tray while a printing is in progress.

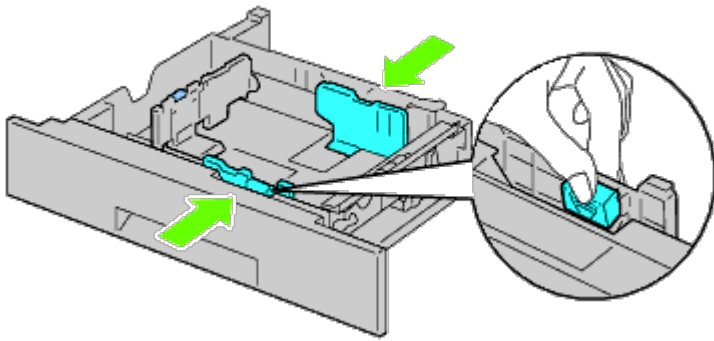
 **NOTE:** Use only laser print media. Do not use ink jet paper in this printer.

All trays are loaded the same way:

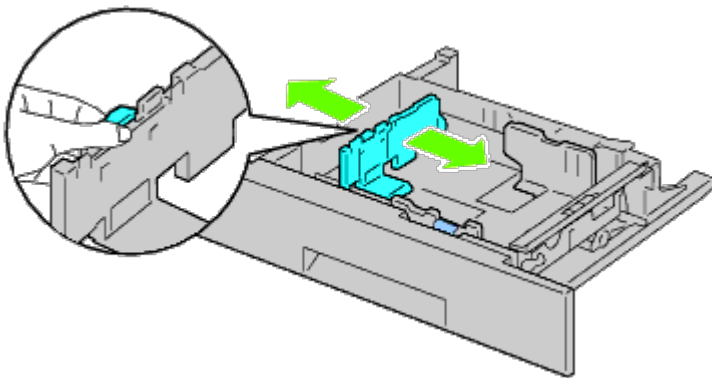
1. Remove the paper tray from the printer.



2. Adjust the width guides to the size of paper to be loaded.

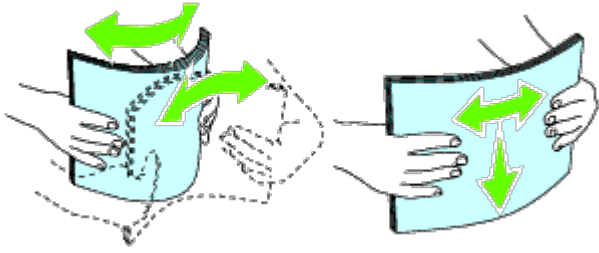


3. Adjust the length guide to the size of paper to be loaded.



4. Before loading the paper, flex the sheets back and forth, and then fan them.

Straighten the edges of the stack on a level surface.



5. Load paper into the tray with the recommended print side facing up.

NOTE: Do not exceed the maximum fill line in the tray. Overfilling the tray may cause paper jams.

6. After confirming that the guides are securely adjusted, replace the paper tray into the printer.

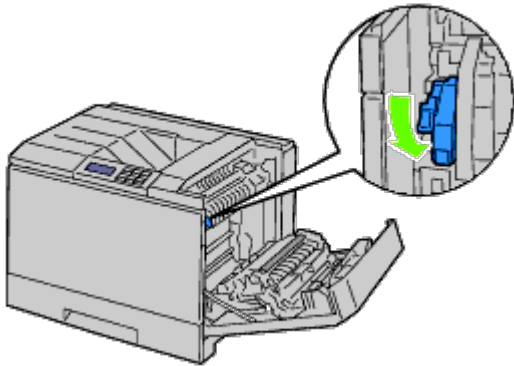
7. Select the paper type from the operator panel if any print media other than plain print media is loaded. If a user-specified print media is loaded in the standard 550-sheet tray, you must specify the paper size setting by using the operator panel.

NOTE: For standard-size papers, adjust the guides first and then set papers.

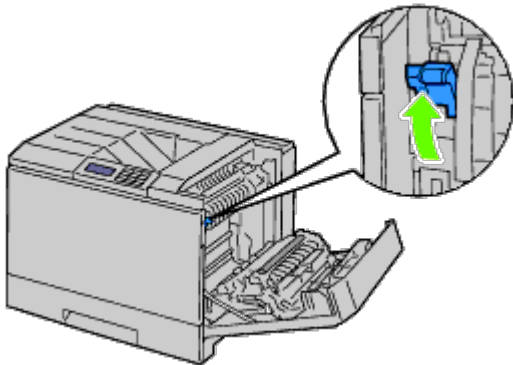
Loading an Envelope in Standard Trays

1. Raise the latch on the handle of the right hand cover to open the cover.

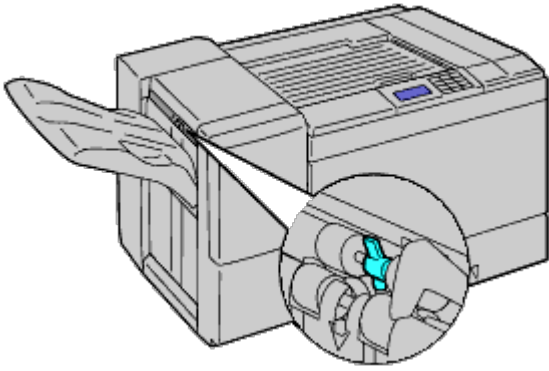
2. Press down the lever to set the envelope mode.




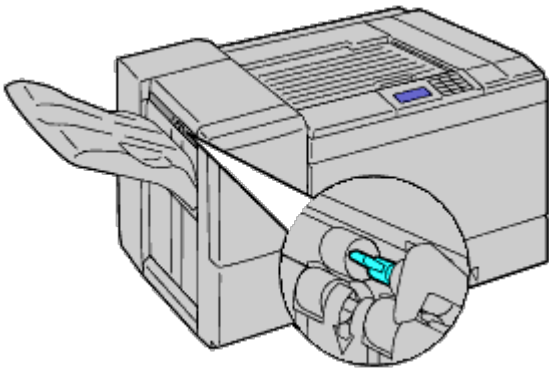
NOTE: If you insert media other than envelopes, lift up the lever.



NOTE: If you use the optional output expander, raise the lever as shown in the illustration.

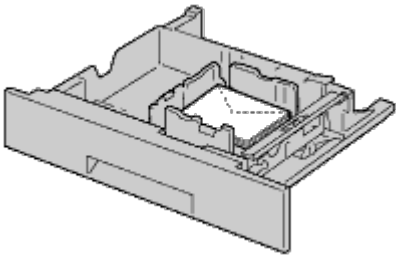


 **NOTE:** To print plain paper using the optional output expander, check if the lever is pulled down as shown in the illustration.

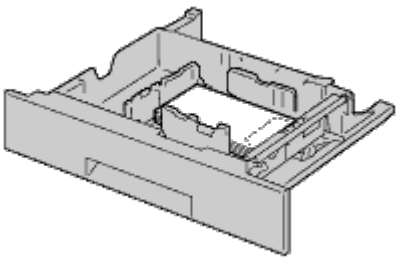



3. Load the envelope into the tray.


When Loading Envelope# 10, Monarch, or DL




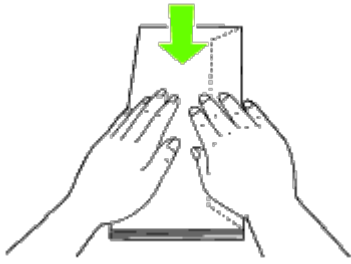
When Loading C5




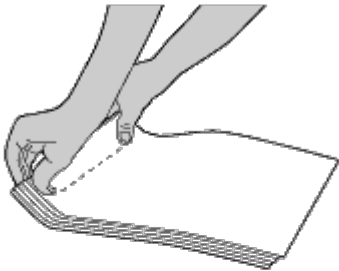
 **NOTICE:** Never use envelopes with windows, coated linings, or self-stick adhesives. These lead to paper jams and can cause damage to the printer.

 **NOTE:** Ensure that you load an envelope with the flap completely closed.

 **NOTE:** If you do not load envelopes in the MPF right after they have been removed from the packaging, they may bulge. To avoid jams, flatten them as shown below when loading them in the MPF.

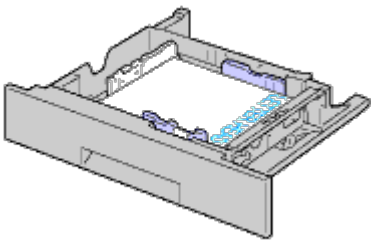


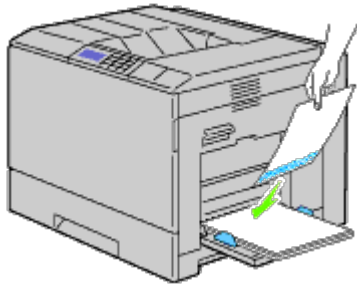
 **NOTE:** If envelopes are still not fed correctly, add some bending to the lead edge of the envelopes as shown in the following illustration. The amount of the bending shall be 5mm or less.



Loading Letterhead

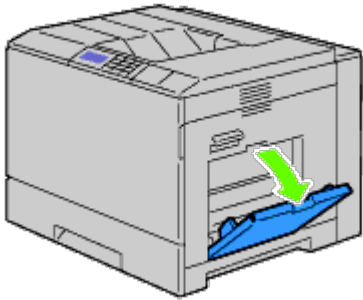
The letterhead must be toward the top edge of the standard tray or the optional feeder with the print side facing up. However, the letterhead must be inserted top edge first with the print side facing down when loading paper into the multipurpose feeder (MPF).

Print media source	Print side	Page orientation
Tray 1 550-sheet feeder 1100-sheet feeder	Face up 	Letterhead enters the printer first
MPF	Face down	Letterhead enters the printer first

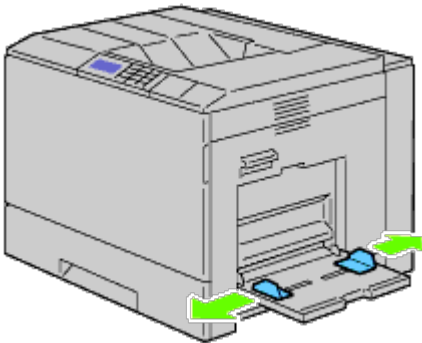


Loading Print Media in the MPF


1. Gently pull open the MPF cover.

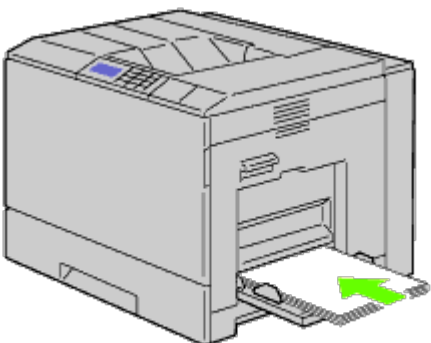


2. Extend the extension tray.
3. Slide the width guides to the edge of the tray. The width guides should be fully extended.




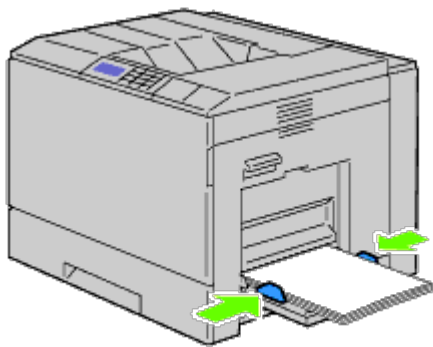
4. Insert all media facing down and top edge first into the MPF.

 **NOTE:** Do not force the print media into the MPF.



- Slide both width guides until they rest lightly against the edge of the print media stack.

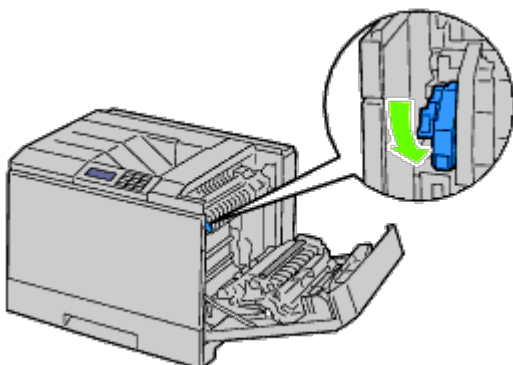
 **NOTE:** Do not force the print media into the MPF.



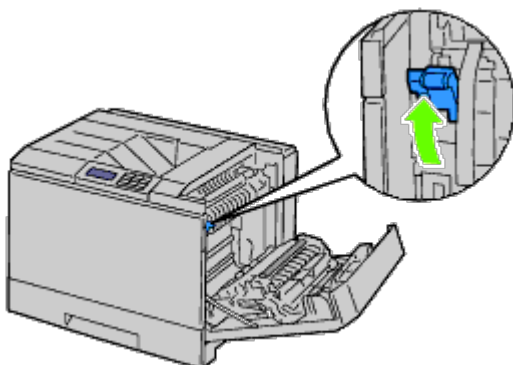
- Ensure the type setting for the MPF is set to the correct value for the print media you have loaded.
- Select print media source, size, and type in your software program and select the print media size and type on the printer operator panel.

Loading an Envelope in the MPF

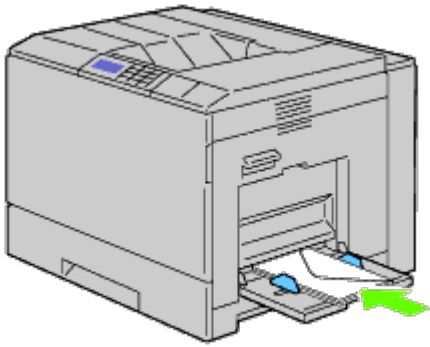
- Open the right hand cover.
- Press down the lever to set the envelope mode.



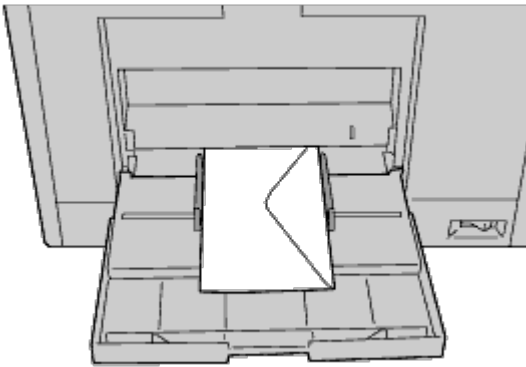
 **NOTE:** If you insert plain paper in the other tray, lift up the lever.



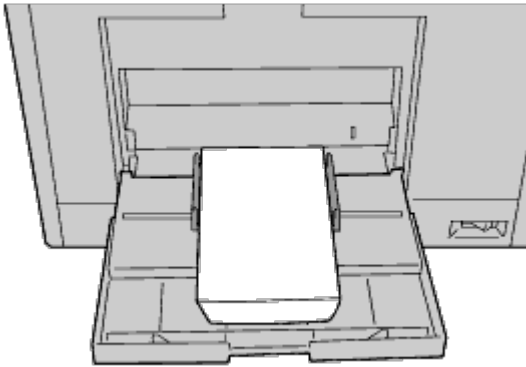
- Insert the envelopes with the flaps closed and the short-edge of the envelopes facing into the printer. Orient the print side facing down and slide the envelope into the entry slot. You can load envelopes up to the maximum fill line in the tray at one time.




When Loading Envelope#10, Monarch, or DL




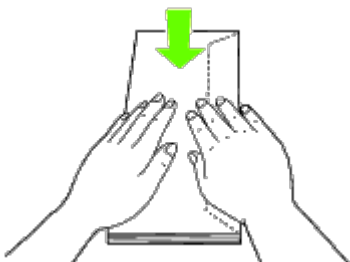
When Loading C5




 **NOTICE:** Never use envelopes with windows, coated linings, or self-stick adhesives. These lead to paper jams and can cause damage to the printer.

 **NOTE:** Ensure that you load an envelope with the flap completely closed.

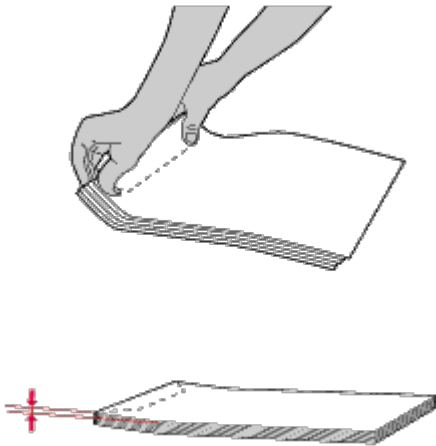
 **NOTE:** If you do not load envelopes in the MPF right after they have been removed from the packaging, they may bulge. To avoid jams, flatten them as shown below when loading them in the MPF.



 **NOTE:** If envelopes are still not fed correctly, add some bending to the lead edge of the envelopes as shown in the

following illustration.

The amount of the bending shall be 5mm or less.



Using the MPF

- Load only one size and type of print media during a single print job.
- To achieve the best possible print quality, use only high-quality print media that is designed for use in laser printers. For more guidelines on print media, see "[Print Media Guidelines](#)."
- Do not add or remove print media when there is still print media in the MPF or when the printer is printing from the MPF. This may result in a paper jam.
- Print media should be loaded with the recommended print side down and the top of the print media going into the MPF first.
- Do not place objects on the MPF. Also, avoid pressing down or applying excessive force on it.

The icons on the MPF identify how to load the MPF with paper, and how to turn an envelope for printing.



Linking Trays

The printer automatically links the trays when you load the same size and type of print media in them. The first tray will be utilized until the media runs out after which the next tray will be used.

- 📌 **NOTE:** The print media should be the same size and type in each tray.
The Multipurpose Feeder (MPF) cannot be linked to any of the tray sources.

After loading the selected trays with the same size and type of print media, select the `Paper Type` setting in the `Tray Settings` component for each source (tray).

To disable tray linking change the `Paper type` in one of the sources (trays) to a unique value.

- 📌 **NOTE:** If different types of print media of the same size are loaded in each tray, the printer will automatically link them if the paper type is not specified in the printer driver properties/preferences.

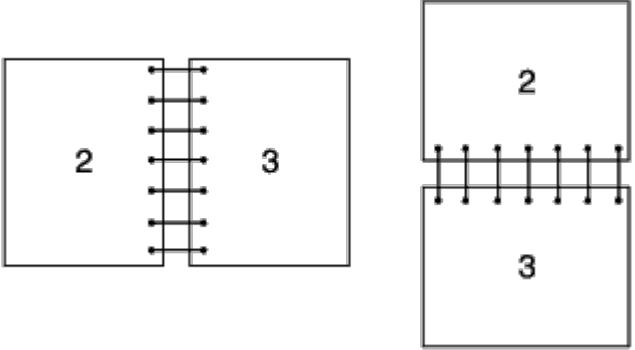
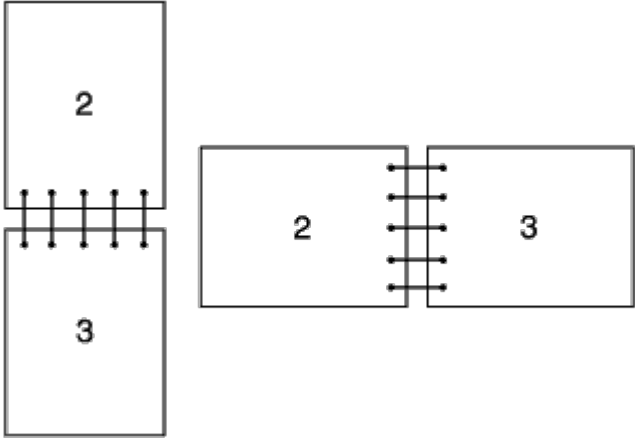
Using the Duplex Function

Duplex printing (or two-sided printing) allows you to print on both sides of a sheet of paper. For sizes that are acceptable for duplex printing, see "[Supported Paper Sizes](#)."

Using Booklet Print

To use booklet print, you must select either **Flip on Short Edge** or **Flip on Long Edge** from the **Duplex** menu in the printer properties dialog box and then select **Booklet Creation** in the **Booklet/Poster/Mixed Document** dialog box displayed by clicking the **Booklet/Poster/Mixed Document** button. From the **Duplex** menu, you can define the way 2-sided print pages are bound, and how the printing on the back of the sheet (even-numbered pages) is oriented in relation to the printing on the front (odd-numbered pages).

 **NOTE:** When XPS driver is used, booklet print is not available.

Flip on Long Edge	<p>Assumes binding along the long edge of the page (left edge for portrait orientation and top edge for landscape orientation). The following illustration shows long-edge binding for portrait and landscape pages:</p> 
Flip on Short Edge	<p>Assumes binding along the short edge of the page (top edge for portrait orientation and left edge for landscape orientation). The following illustration shows short-edge binding for portrait and landscape pages:</p> 

Using the Center Output Tray

The center output tray holds up to:

- 500 sheets (20 lb (75 g/m²)) of plain paper

Using the Stacker Tray

The stacker tray holds up to:

Discharging mode	Not stapled	Stapled	Paper size
In bulk	1,000-sheet	50-set or 750-sheet	(SFP) A4: P: 64gsm A4: C2: 70gsm Letter: Business 4200: 20 lb Letter: Color Xpressions+: 24 lb (MPF) A4: Premier: 80gsm A4: Premier: 4-hole punched: 80gsm A4: Business: 80gsm A4: Colotech+: 90gsm Letter: Business 4200: 75gsm Letter: Digital Color Xpressions+: 90gsm/24 lb
	750-sheet	50-set or 500-sheet	Legal: Business 4200: 20 lb Legal: Color Xpressions+: 24 lb Legal: Digital Color Xpressions+: 24 lb
On a one-by-one basis	300-sheet	-	B5, A6, B6, A5, Post card (US, 5 x 7, 3 x 5, 3.5 x 5, 3.5 x 5.5, 6 x 9), Statement, Coated (106 to 163gsm), Coated thick (164 to 216gsm), Label, Index paper* ¹ , Transparency, Post card (134 to 190gsm) NOTE: The number of sheets shown left may not be achieved depending on the type or size of paper.
	100-sheet	-	Legal NOTE: The number of sheets shown left may not be achieved depending on the type or size of paper.
	50-sheet	-	Envelope (Com-10, Monarch, DL, C5) NOTE: The number of sheets shown left may not be achieved depending on the type or size of paper.

*¹: Only those whose index tab is attached to its shorter side are available.

[Back to Contents Page](#)

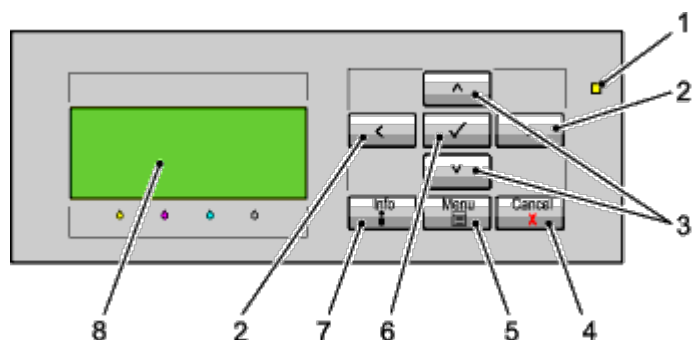
Operator Panel

• [Using the Operator Panel Buttons](#)

• [Printing a Panel Settings Page](#)

Using the Operator Panel Buttons

The operator panel has a liquid crystal display (LCD), eight buttons, and an indicator that blinks when the printer is ready to print, and when an error occurs.



1. Ready/Error indicator

- Lights up green when the printer is ready or sleeping and blinks when data is being received.
- Lights up yellow when an error occurs and blinks when an unrecoverable print error occurs.

2. < > buttons

- In the Menu mode, selects submenus or setting values.

3. ∨ ∧ buttons

- In the Menu mode, scrolls through menus or items. To enter numbers or passwords for secure print jobs, press these buttons.

4. Cancel button

- Cancels the current print job.
- In the top menu of the Menu mode, switches to the Print mode.
- In the submenu of the Menu mode, switches to the upper hierarchy of the menu.

5. Menu button

- In the Print mode, switches to the Menu mode.
- In the Menu mode, switches to the Print mode.

6. ✓ (Set) button

- In the Menu mode, displays the selected menu or item and determines the selected value.

7. Information button

- When the information mark is displayed on the screen, press this button to view information, such as resolving an error.

8. LCD panel

Printing a Panel Settings Page

The panel settings page shows current settings for the operator panel menus.

When Using the Operator Panel

1. Press **Menu** button.
2. Ensure `Report/List` is highlighted, and then press ✓ (**Set**) button.
3. Press ✓ button until `Panel Settings` is highlighted, and then press ✓ (**Set**) button.

The panel settings page is printed.

When Using the Dell™ Printer Configuration Web Tool

1. Launch **Dell Printer Configuration Web Tool**.
 - a. Open the web browser.
 - b. Enter the IP address of your printer in the web browser.

See "[Dell Printer Configuration Web Tool](#)."

2. Select **Printer Settings**.
3. Click the **Printer Settings Report** tab.
4. Select **Reports**.
5. Click the **Start** button in the **Panel Settings**.

The panel settings report is printed.

[Back to Contents Page](#)

Printing

- [Tips for Successful Printing](#)
- [Sending a Job to Print](#)
- [Canceling a Print Job](#)
- [Printing a Report Page](#)
- [Using the Stapling Function](#)
- [Using the Offset Function](#)
- [Using the Stored Print Function](#)


This chapter covers tips for printing, how to print certain lists of information from your printer, and how to cancel a job.

Tips for Successful Printing

Tips on Storing Print Media

Store your print media properly. For more information, see "[Storing Print Media](#)."

Avoiding Paper Jams

 **NOTE:** It is recommended that you try a limited sample of any print media you are considering using with the printer before purchasing large quantities.

By selecting appropriate print media and loading it properly, you can avoid paper jams. See the following instructions on loading print media:

- "[Loading Print Media in Standard and Optional Trays](#)" (which includes the tray 1, the optional 550-sheet feeder, and the optional 1100-sheet feeder)
- "[Loading Print Media in the MPF](#)"
- "[Avoiding Jams](#)"

If you experience a jam, see "[Clearing Jams](#)" for instructions.

Sending a Job to Print

To support all of the printer features, use the printer driver. When you choose **Print** from a software program, a window representing the printer driver opens. Select the appropriate settings for the specific job you are sending to print. Print settings selected from the driver override the default menu settings selected from the operator panel.

You may need to click **Preferences** from the initial **Print** box to see all of the available system settings you can change. If you are not familiar with a feature in the printer driver window, open the online Help for more information.

To print a job from a typical Windows[®] application:

1. Open the file you want to print.
2. From the **File** menu, select **Print**.
3. Verify that the correct printer is selected in the dialog box. Modify the printer settings as appropriate (such as the pages you want to print or the number of copies).
4. Click **Preferences** to adjust system settings not available from the first screen, and then click **OK**.

5. Click **OK** or **Print** to send the job to the selected printer.
-

Canceling a Print Job

There are several methods for canceling a print job.

Canceling From the Operator Panel

To cancel a job after it has started printing:

Press **Cancel**.

Printing is canceled only for the current job. All the following jobs will continue to print.

Canceling a Job From the Computer Running Windows

Canceling a Job From the Taskbar

When you send a job to print, a small printer icon appears in the right corner of the taskbar.

1. Double-click the printer icon.

A list of print jobs appears in the printer window.

2. Select the job you want to cancel.
3. Press **Delete** on the keyboard.

Canceling a Job From the Desktop

1. Minimize all programs to reveal the desktop.

Click **start**® **Printers and Faxes**.

Click **Start**® **Devices and Printers** (for Windows 7 and Windows Server® 2008 R2).

Click **start**® **Control Panel**® **Hardware and Sound**® **Printers** (for Windows Vista®).

Click **start**® **Control Panel**® **Printers** (for Windows Server 2008).

Click **start**® **Settings**® **Printers** (for Windows 2000).

A list of available printers appears.

2. Double-click the printer you selected when you sent the job.

A list of print jobs appears in the printer window.

3. Select the job you want to cancel.
 4. Press **Delete** on the keyboard.
-

Printing a Report Page



By using the **Report** menu, you can print a variety of settings for your printer including printer settings, panel setting, and font list. The following describes two examples of printing from the **Report** menu.

Printing a Printer Settings Page

To verify detailed printer settings, print a printer settings page. A printed printer settings page also allows you to verify whether or not options have been installed properly.

See "[Understanding the Printer Menu](#)" to identify the display and operator panel buttons if you need help.

When Using the Operator Panel

1. Press **Menu** button.
2. Ensure **Report/List** is highlighted, and then press  **(Set)** button.
3. **Printer Settings** is displayed, and then press  **(Set)** button.
The printer settings page is printed.

When Using the Dell™ Printer Configuration Web Tool

1. Launch **Dell Printer Configuration Web Tool**.
 - a. Open the web browser.
 - b. Enter the IP address of your printer in the web browser.

See "[Dell Printer Configuration Web Tool](#)."

2. Select **Printer Settings**.
3. Click the **Printer Settings Report** tab.
4. Select **Reports**.
5. Click the **Start** button in the **Printer Settings**.

The printer settings page is printed.



The message **Printer Settings Printing** appears while the page prints. The printer returns to the standby mode after the printer settings page prints.

If any other message appears when you print this page, see the online Help for more information.

Printing a Font Sample List

To print samples of all the fonts currently available for your printer:

When Using the Operator Panel

1. Press **Menu** button.
2. Ensure **Report/List** is highlighted, and then press  **(Set)** button.
3. Press  button until either **PCL Fonts List** or **PS Fonts List** is highlighted.
 - Select **PCL Fonts List** to print a listing of the fonts available to the PCL.

- Select **PS Fonts List** to print a listing of the fonts available to the PostScript® 3™.

4. Press **✓ (Set)** button.


The message **PCL Fonts List Printing** or **PS Fonts List Printing** appears and remains on the operator panel until the page prints. The printer returns to the **Ready to Print** state after the font sample list prints.

Using the Stapling Function

When you use the staple function, you can staple each copy. The staple position is located at the upper-left of the paper corner.

B5, A4, Letter, Executive, Folio (8.5), Legal, Plain, Plain-thick, Covers, Covers Thick and Recycled paper can be used with the Stapling function.

 **NOTE:** This item is available only when the optional output expander is installed.


 **NOTE:** This item is available only when using the PCL or PS driver.




Using the Offset Function

When you use the offset function, you can identify one paper set from another paper set. When you select "Offset per Set", you can offset each copy before printing the next copy. When you select "Offset per Job", you can offset each copy per paper job you specify. You can also specify whether to staple or insert a banner sheet after offsetting each copy.

B5, A4, Letter, Executive, Folio (8.5), Legal, Plain, Plain-thick, Covers, Covers Thick and Recycled paper can be used with the Offset function.

 **NOTE:** This item is available only when the optional output expander is installed.

 **NOTE:** This item is available only when using the PCL or PS driver.

Examples of two jobs when printing two copies of a three page document:

	Offset per Set	Offset per Job	No Offset
Uncollate			
Collate			

Using the Stored Print Function

When you send a job to the printer, you can specify in the driver that you want the printer to store the job in memory. When you are ready to print the job, go to the printer and use the operator panel menus to identify which job in the memory or hard disk you want to print. You can use this function for Secure Print, Public MailBox Print, Private MailBox Print, and Proof Print.

NOTE: The data in memory is cleared when the printer is turned off. The data on the optional hard disk is not



cleared even when the printer is turned off.



NOTE: Stored Print functions are available when:
Enabling the RAM disk in the operator panel menu and setting "RAM Disk" to "Available" in the printer driver
or
Installing a hard disk in your printer and setting "Hard Disk" to "Available" in the printer driver

The stored printing function includes the following job types.

Secure Print

You can store print jobs temporarily in printer memory to output at a specified time at the printer. This feature can be used to print confidential documents. A stored print job will be deleted after you print it, or after a designated period of time has elapsed.



NOTE: This item is available when using the PCL or PS driver.

Private MailBox Print

You can store print jobs temporarily in printer memory to output at a more convenient time at the printer. This feature can be used to print confidential documents. The stored jobs remain in printer memory until you delete them on the operator panel.



NOTE: This item is available when using the PCL or PS driver.

Public MailBox Print

You can store print jobs temporarily in printer memory to output at a more convenient time at the printer. A print job is stored until you delete it from printer memory on the printer operator panel. You cannot use the password function with this feature. This function does not require a password to print a stored job.



NOTE: This item is available when using the PCL or PS driver.

Proof Print

When you specify multiple copies for a collated job, this feature allows you to print only the first set for checking, before proceeding to print the remaining copies at the printer.



NOTE: Depending on the documents, its job may be too big for the available memory. In this case, an error occurs.



NOTE: If a document name is not assigned to your print job in the printer driver, the job's name will be identified using the PC's time and date of submission to distinguish it from other jobs you have stored under your name.



NOTE: This item is available when using the PCL or PS driver.

Storing Print Jobs

When you select a job type other than "Normal Print" in the "Paper/Output" tab of the printer driver, the job will be stored in temporary memory or stored on the hard disk until you request to print it from the operator panel.



NOTE: Secure Print and Private MailBox Print require specifying a password for confidentiality.

Printing the Stored Jobs

Once jobs are stored, you can use the operator panel to specify printing. Select the job type you are using from Secure Print, Private MailBox Print, Public MailBox Print, and Proof Print. Then, you select your user name from a list. Secure Print

and Private MailBox Print require the password you specified in the driver when you sent the job.

To print the stored documents, use the procedure below.

1. Press **Menu** button.
2. Press **✓** button until **Print Menu** is highlighted, and then press **✓ (Set)** button.
3. Press **✓** button until your desirable job type is highlighted, and then press **✓ (Set)** button.
The stored document will be printed.

Specifying your password on the operator panel (Secure Print/Private MailBox Print)

When you select **Secure Print** or **Private MailBox Print** from the **Print Menu** after selecting your user name, the following prompt is displayed:

[*****]

Use the buttons on the operator panel to enter the numeric password you specified in the printer driver. The password you entered will be displayed to ensure confidentiality.

If you enter an invalid password, the message **Wrong Password** appears. Wait three seconds, or Press **✓ (Set)** or **Cancel** button to return to the screen for user selection.

When you enter a valid password, you have access to all print jobs matching the user name and password you entered. The print jobs matching the password you entered appear on the screen. You can then choose to print or delete jobs matching the password you entered. (See "[Printing the Stored Jobs](#)" for more information.)

Deleting Stored Jobs

With **Secure Print**, a job that has been stored will be deleted after printing or deleted at a designated time if entered on the operator panel.

For other jobs, these jobs remain stored until you delete them on the operator panel.

[Back to Contents Page](#)

Printer Settings

- [Printing a Printer Settings Page](#)
- [Using the Operator Panel to Change Printer Settings](#)
- [Using the Dell Printer Configuration Web Tool to Change Printer Settings](#)
- [Resetting Defaults](#)

You can change most printer settings from your software program. If your printer is attached to the network, you can change settings from the **Dell™ Printer Configuration Web Tool**. To launch the **Dell Printer Configuration Web Tool**, type the printer's IP address in your web browser. To find your printer's IP address, see "[Printing a Printer Settings Page](#)."



Settings from the software program update the default printer settings for the printer. Settings from the printer driver only apply to the job you are sending to the printer.

If you cannot change a setting from your software program, use the operator panel or the **Dell Printer Configuration Web Tool**. Changing a printer setting from the operator panel or the **Dell Printer Configuration Web Tool** makes that setting the user default.

Printing a Printer Settings Page

You can verify the detailed printer settings by printing a printer settings page.

When Using the Operator Panel

1. Press **Menu** button.
2. Ensure **Report/List** is highlighted, and then press  (**Set**) button.
3. **Printer Settings** is displayed. Press  (**Set**) button.

The printer settings page is printed.

When Using the Dell™ Printer Configuration Web Tool

1. Launch **Dell Printer Configuration Web Tool**.
 - a. Open the web browser.
 - b. Enter the IP address of your printer in the web browser.

See "[Dell Printer Configuration Web Tool](#)."

2. Select **Printer Settings**.
3. Click the **Printer Settings Report** tab.
4. Select **Reports**.
5. Click the **Start** button in the **Printer Settings**.

The printer settings page is printed.

Using the Operator Panel to Change Printer Settings

You can select menu items and corresponding values from the operator panel.

When you first enter the menus from the operator panel, you see a bullet next to a value in the menus.

This bullet indicates the factory default menu setting. These settings are the original printer settings.

Factory defaults may vary for different countries.

When you select a new setting from the operator panel, a bullet appears next to the setting to identify it as the current user default menu setting.

These settings are active until new ones are selected or the factory defaults are restored.

To select a new value as a setting:

1. Press **Menu** button.
2. Press ∇ or \blacktriangle button until the desired menu is highlighted, and then press \checkmark (**Set**) button.
3. Press ∇ or \blacktriangle button until the desired menu or menu item is highlighted, and then press \checkmark (**Set**) button.
 - If the selection is a menu, the menu is opened and the first printer setting in the menu appears.
 - If the selection is a menu item, the default menu setting for the menu item appears. (The current user default menu setting has a bullet beside it.)

Each menu item has a list of values for the menu item. A value can be:

- A phrase or word to describe a setting
- A numerical value that can be changed
- An On or Off setting



NOTE: Pressing \blacktriangle and ∇ buttons at the same time will restore the factory default menu settings. Press \checkmark (**Set**) button to return the settings to the factory default menu settings.

4. Press ∇ or \blacktriangle button until the desired value is highlighted.
5. Press \checkmark (**Set**) button.

This enables the setting value, which is indicated by a bullet next to the setting value.

6. Press **Cancel** or \blacktriangleleft button to return to the previous menu.

To continue setting other items, select the desired menu. To quit setting new values, press **Cancel** button.

Driver settings may override changes previously made and may require you to change the operator panel defaults.

Using the Dell Printer Configuration Web Tool to Change Printer Settings

If your printer is connected to the network, you can change the device settings from your web browser. If you are a network administrator, you can clone the printer settings of one printer to one or all printers on the network.

Type your printer's IP address in your web browser. Choose **Printer Settings** from the topics list, and then select the **Printer Settings** you want to change. To change the paper type and size, choose **Tray Settings** from the topics list. To change the ColorTrack settings, choose **Print Volume** from the topics list and select the **Dell ColorTrack** tab.

To copy your printer settings to another printer on the network, choose **Copy Printer Settings** from the topics list, and then type the other printer's IP address.

If you do not know your printer's IP address, see the printer settings page. To print the printer settings page using the operator panel:

1. Press **Menu** button.
2. Ensure `Report/List` is highlighted, and then press ✓ **(Set)** button.
3. `Printer Settings` is displayed. Press ✓ **(Set)** button.

The printer settings page is printed.

Resetting Defaults

After executing this function and rebooting the printer, all the menu parameters, except the parameters for the network, are reset to their default values.

When Using the Operator Panel

1. Press **Menu** button.
2. Press ▼ button until `Admin Menu` is highlighted, and then press ✓ **(Set)** button.
3. Press ▼ button until `Maintenance` is highlighted, and then press ✓ **(Set)** button.
4. Press ▼ button until `Reset Defaults` is highlighted, and then press ✓ **(Set)** button.
5. `Start` or `Cancel` message appears on the operator panel. Press ✓ **(Set)** button.
6. Turn off the printer, and then on again to apply the settings.

When Using the Dell™ Printer Configuration Web Tool

1. Launch **Dell Printer Configuration Web Tool**.
 - a. Open the web browser.
 - b. Enter the IP address of your printer in the web browser.

See "[Dell Printer Configuration Web Tool](#)."

2. Select **Printer Settings**.
3. Click the **Printer Maintenance** tab.
4. Select **Reset Defaults** from the list at the left side of the page.

The **Reset Defaults** page is displayed.

5. Click **Start** next to **Reset Defaults and restart printer** to reset to default values.

The printer is turned off automatically to apply the settings.

Initializing NVRAM for Network Settings

You can initialize the IP address and network-related settings by initializing NVRAM for Network settings.


1. Press **Menu** button.
2. Press ▼ button until `Admin Menu` is highlighted, and then press ✓ **(Set)** button.

3. Ensure `Network` is highlighted, and then press ✓ **(Set)** button.
 4. Press ✓ button until `Reset Wireless` or `Reset LAN` is highlighted, and then press ✓ **(Set)** button.
 5. `Start` or `Cancel` message appears on the operator panel. Press ✓ **(Set)** button.
 6. Turn off the printer, and then on again to apply the settings.
-

[Back to Contents Page](#)

Understanding the Tool Box Menus

The Tool Box allows you to diagnose the printer settings.

 **NOTE:** A **Password** dialog box appears the first time you try to change settings on **Tool Box** when **Panel Lock** is set on the printer. In this case, input the password you specified, and click **OK** to apply the settings.


 **NOTE:** For how to start **Tool Box**, see "[Understanding Your Printer Software](#)."

Chart Print

Purpose:

To output various charts that can be used for the printer's diagnosis.

Values:

Pitch Configuration Chart	Clicking Pitch Configuration Chart button outputs full halftone pages for yellow, magenta, cyan, and black. Also outputs pages to check the pitch. The output report contains five pages and the paper size is A4 or Letter.
Ghost Configuration Chart	Clicking Ghost Configuration Chart button outputs a chart to check for ghost printing. The output report contains one page and the paper size is A4 or Letter.
4 Colors Configuration Chart	Clicking 4 Colors Configuration Chart button outputs bands of yellow, magenta, cyan, and black with varying density. The output report contains one page and the paper size is A4 or Letter.
MQ Chart	Clicking MQ Chart button outputs a chart to confirm the banding. The output report contains two pages and the paper size is A4 or Letter.
Alignment Chart	Clicking Alignment Chart button outputs a chart to check for proper alignment of the print image on the paper. The output report contains one page and the paper size is A4 or Letter.
Drum Refresh Configuration Chart	Clicking Drum Refresh Configuration Chart button outputs a chart to check the light fatigue of the drum cartridge. The output report contains one page and the paper size is A4 or Letter.

Environment Sensor Info

Purpose:

To output the printer's internal environment sensor information to **Result** by pressing the **Get Environment Sensor Info** button.

Understanding the Printer Menus

- [Report/List](#)
- [Admin Menu](#)
- [Tray Settings](#)
- [Print Menu](#)
- [Panel Lock](#)

When your printer is configured as a network printer available to a number of users, the access to the `Admin Menu` menus can be limited. This prevents other users from using the operator panel to inadvertently change a printer user default that has been set by the administrator. In this case, you can access the `Stored Document`, and `Tray Settings` menus only.

However, you can use your printer driver to override printer user defaults and select settings for individual print jobs.

To complete print jobs, you may also need to modify tray settings.

Report/List

Use the `Report/List` menu to print various types of reports and lists.

Printer Settings

Purpose:

To print a list of the current user default values, the installed options, the amount of installed print memory, and the status of printer supplies.

Panel Settings

Purpose:

To print a detailed list of all the settings on the operator panel menus.

PCL Fonts List

Purpose:

To print a sample of the available PCL fonts.

See also:

"[Understanding Fonts](#)", "[Printing a Font Sample List](#)."

PCL Macro List

Purpose:

To print the information on the downloaded PCL macro.

PS Fonts List

Purpose:

To print a sample of the available PostScript fonts.

See also:

["Understanding Fonts"](#), ["Printing a Font Sample List."](#)

Job History

Purpose:

To print a detailed list of the print jobs that have been processed. This list contains the last 20 jobs.

Error History

Purpose:

To print a detailed list of paper jams and fatal errors.

Print Meter

Purpose:

To print the reports for the total number of pages printed. When printed using either the printer control panel or **Dell Printer Configuration Web Tool**, the report will be titled **Print Volume Report**.

Color Test Page


Purpose:

To print a page for testing colors.

Stored Document

Purpose:

To print a list of all files that are stored for `Secure Print` and `Proof Print` in the RAM disk.


 **NOTE:** The **Stored Document** is displayed only when the optional hard disk, or memory module is installed on the printer and **RAM Disk** under **System Settings** is enabled.

Admin Menu

Use the **Admin Menu** menu to configure a variety of printer features.

Network

Use the `Network` menu to change the printer settings affecting jobs sent to the printer through the wired or wireless network.

 **NOTE:** Values marked by an asterisk (*) are the factory default menu settings.

Ethernet

Purpose:

To specify the communication speed and the duplex settings of Ethernet. The change becomes effective after the printer is turned off and then on again.

Values:

Auto*	Detects the Ethernet settings automatically.
10Base Half	Uses 10 base-T half-duplex.
10Base Full	Uses 10 base-T full-duplex.
100Base Half	Uses 100 base-TX half-duplex.
100Base Full	Uses 100 base-TX full-duplex.
1000Base Full	Uses 1000 base-T full-duplex.


Status

Purpose:

To display the information on the wireless signal strength. Any change cannot be made on the operator panel to improve the status of the wireless connection.

Values:

Good	Indicates good signal strength.
Acceptable	Indicates marginal signal strength.
Low	Indicates insufficient signal strength.
No Reception	Indicates that no signal is received.

 **NOTE:** This item is available only when connecting the printer with a wired network.

Wireless Setup


Purpose:

To configure the wireless network interface.

Values:

Manual Setup	Enter Network (SSID)	Specify a name to identify the wireless network. Up to 32 alphanumeric characters can be entered.		
	Infra-structure	Select when you configure the wireless setting through the access point such as a wireless router.		
		No Security	Specify No Security to configure the wireless setting without specifying a security method from WEP , WPA-PSK-TKIP , and WPA-PSK-AES .	
		WEP Key Entry (64Bit)	Specify the WEP 64bit Key to use through the wireless network. Up to 10 hexadecimal characters can be entered.	
			Transmit Key	Specify the transmit key from WEP Key 1 , WEP Key 2 , WEP Key 3 , and WEP Key 4 .
	WEP Key Entry (128Bit)	Specify the WEP 128bit Key to use through the wireless network. Up to 26 hexadecimal characters can be entered.		
Transmit Key		Specify the transmit key from WEP Key 1 , WEP Key 2 , WEP Key 3 , and WEP Key 4 .		
Infra-structure	WPA-PSK-TKIP	Select to configure the wireless setting with the security method of WPA-PSK-TKIP.		
		Pass Phrase	Specify the passphrase of alphanumeric characters from 8 to 63 only when WPA-PSK-TKIP is selected for Encryption.	
	WPA2-PSK-AES	Select to configure the wireless setting with the security method of WPA2-PSK-AES.		
		Pass Phrase	Specify the passphrase of alphanumeric characters from 8 to 63 only when WPA-PSK-AES is selected for Encryption.	


Manual Setup	Ad-hoc	Select to configure the wireless setting without the access point such as a wireless router.		
		No Security	Select to configure the wireless setting without specifying the security method from WEP.	
		WEP Key Entry (64Bit)	Specify the WEP 64bit Key to use through the wireless network. Up to 10 hexadecimal characters can be entered.	
			Transmit Key	Specify the transmit key from WEP Key 1, WEP Key 2, WEP Key 3, and WEP Key 4.
		WEP Key Entry (128Bit)	Specify the WEP 128bit Key to use through the wireless network. Up to 26 hexadecimal characters can be entered.	
			Transmit Key	Specify the transmit key from WEP Key 1, WEP Key 2, WEP Key 3, and WEP Key 4.
WPS	Push Button Control	PBC Start	Cancel* Disables the security method of WPS-PBC.	
			Start Configures the wireless setting with the security method of WPS-PBC.	
	PIN Code	Start Configuration	Configures the wireless setting using the PIN code assigned automatically by the printer.	
		Print PIN Code	Prints PIN Code. Confirm it when entering PIN assigned to the printer into your computer.	

 **NOTE:** This item is available only when connecting the printer with a wireless network.

Reset Wireless

Purpose:

To initialize wireless network settings. After executing this function and rebooting the printer, all wireless network settings are reset to their default values.

 **NOTE:** This item is available only when connecting the printer with a wireless network.

TCP/IP

Purpose:

To configure TCP/IP settings. The change becomes effective after the printer is turned off and then on again.

Values:

IP Mode	Dual Stack*		Uses both IPv4 and IPv6 to set the IP address.
	IPv4 Mode		Uses IPv4 to set the IP address.
	IPv6 Mode		Uses IPv6 to set the IP address.
IPv4	Get IP Address	AutoIP*	Automatically sets the IP address.
		BOOTP	Uses BOOTP to set the IP address.
		RARP	Uses RARP to set the IP address.
		DHCP	Uses DHCP to set the IP address.
		Panel	Enables the IP address entered on the operator panel.
	IP Address		Sets the IP address allocated to the printer by using the keys on the operator panel.
	Subnet Mask		Sets the subnet mask.
Gateway Address		Sets the gateway address.	
IPsec* ¹		Disables IPsec.	

*¹ Only displayed when an optional network protocol adapter is installed and IPsec is enabled.

Protocol

Purpose:

To enable or disable each protocol. The change becomes effective after the printer is turned off and then on again.

Values:

LPD	Enable*	Enables the LPD port.
	Disable	Disables the LPD port.
Port9100	Enable*	Enables the Port9100 port.
	Disable	Disables the Port9100 port.
IPP	Enable*	Enables the IPP port.
	Disable	Disables the IPP port.
FTP	Enable*	Enables FTP.
	Disable	Disables FTP.
NetWare	Enable*	Uses IP for NetWare.
	Disable	Does not use IP for NetWare.
WSD	Enable*	Enables the WSD port.
	Disable	Disables the WSD port.
SNMP	Enable*	Enables the UDP.
	Disable	Disables the UDP.
E-Mail Alert	Enable*	Enables the E-mail Alerts feature.
	Disable	Disables the E-mail Alerts feature.
EWS	Enable*	Enables an access to Dell Printer Configuration Web Tool embedded in the printer.
	Disable	Disables an access to Dell Printer Configuration Web Tool embedded in the printer.
Bonjour(mDNS)	Enable*	Enables the Bonjour(mDNS).
	Disable	Disables the Bonjour(mDNS).
Telnet	Enable*	Enables the Telnet.
	Disable	Disables the Telnet.
HTTP-SSL/TLS* ¹	Enable*	Enables the HTTP-SSL/TLS.
	Disable	Disables the HTTP-SSL/TLS.

*¹ This item is displayed only when the self-signed certificate is generated.

IP Filter

Purpose:

To block data received from certain IP addresses through the wired or wireless network. You can set up to five IP addresses. The change becomes effective after the printer is turned off and then on again.

Values:

No. n/Address (n is 1-5.)* ¹		Sets the IP address for Filter <i>n</i> .
No. n/Mask (n is 1-5.)* ¹		Sets the address mask for Filter <i>n</i> .
No. n/Mode (n is 1-5.)* ¹	Off*	Disable the IP Filter feature for Filter <i>n</i> .
	Accept	Accepts an access from the specified IP address.


Reject	Rejects an access from the specified IP address.
---------------	--


*1 This item is only available for LPD or Port9100.

IEEE 802.1x

Purpose:

To disable the IEEE 802.1x authentication. The change becomes effective after the printer is turned off and then on again.

 **NOTE:** This item is displayed only when the IEEE 802.1x authentication is enabled.

 **NOTE:** This item is available only when connecting the printer with a wired network.

Reset LAN

Purpose:

To initialize wired network data stored in NV (non-volatile) memory. After executing this function and rebooting the printer, all wired network settings are reset to their default values.

Adobe Protocol

Purpose:


To specify PostScript communication protocol for a parallel interface, you can configure the `Adobe Protocol` settings for the wired network. The change becomes effective after the printer is turned off and then on again.

Values:

Auto	Used when auto-detecting the PostScript communication protocol.
Standard	Used when the communication protocol is in ASCII interface.
BCP	Used when the communication protocol is in binary format.
TBCP*	Used when the communication protocol supports both ASCII and binary data to switch between them according to the specified control code.
Binary	Used when no special processing is required for data.

Parallel

Use the Parallel menu to change the parallel interface.

 **NOTE:** Values marked by an asterisk (*) are the factory default menu settings.

Parallel Port

Purpose:

To enable or disable the parallel interface. The change becomes effective after the printer is turned off and then on again.

Values:

Disable	The parallel interface is disabled.
Enable*	The parallel interface is enabled.

ECP

Purpose:

To specify the ECP communication mode of the parallel interface. The change becomes effective after the printer is turned off and then on again.

Values:

Disable	ECP communication mode is disabled.
Enable*	ECP communication mode is enabled.

Adobe Protocol**Purpose:**


To specify PostScript communication protocol for parallel interface. You can configure the `Adobe Protocol` settings for parallel port. The change becomes effective after the printer is turned off and then on again.

Values:

Auto	Used when auto-detecting the PostScript communication protocol.
Standard	Used when the communication protocol is in ASCII interface.
BCP	Used when the communication protocol is in binary format.
TBCP*	Used when the communication protocol supports both ASCII and binary data to switch between them according to the specified control code.
Binary	Used when no special processing is required for data.

USB Settings

Use the `USB Settings` menu to change printer settings affecting a USB port.

 **NOTE:** Values marked by an asterisk (*) are the factory default menu settings.

USB Port**Purpose:**

To enable or disable the USB interface. The change becomes effective after the printer is turned off and then on again.

Values:

Disable	The USB interface is disabled.
Enable*	The USB interface is enabled.

Adobe Protocol**Purpose:**

To specify PostScript communication protocol for USB interface. You can configure the `Adobe Protocol` settings for USB. The change becomes effective after the printer is turned off and then on again.


Values:

Auto	Used when auto-detecting the PostScript communication protocol.
Standard	Used when the communication protocol is in ASCII interface.
BCP	Used when the communication protocol is in binary format.
TBCP*	Used when the communication protocol supports both ASCII and binary data to switch between them according to the specified control code.

Binary | Used when no special processing is required for data.

System Settings

Use the **System Settings** menu to configure a variety of printer features.

 **NOTE:** Values marked by an asterisk (*) are the factory default menu settings.

PowerSaver Time

Purpose:

To specify the time for transition to power saver mode.

Values:

Sleep	15 min.*	Specifies the time for transition to the power saver time (Sleep) in minutes.
	5-30 min.	
Deep Sleep	15 min.*	Specifies the time for transition to the power saver time (Deep Sleep) in minutes.
	1-29 min.	

Enter 5 to put the printer in power saver mode five minutes after it finishes a job. This uses much less energy, but requires more warm-up time for the printer. Enter 5 if your printer shares an electrical circuit with room lighting and you notice lights flickering.

Select a high value if your printer is in constant use. Under most circumstances, this keeps the printer ready to operate with minimum warm-up time. Select a value between 5 and 30 minutes for power save mode if you want a balance between energy consumption and a shorter warm-up period.

The printer automatically returns to the standby mode from the power saver mode when it receives data from the computer or remote fax printer. You can also return the printer to the standby mode by pressing any button on the operator panel.

Audio Tones

Purpose:

To configure settings for tones emitted by the printer during operation or when a warning message appears.

Values:

Control Panel	Off*	Does not emit a tone when the operator panel input is correct.
	On	Emits a tone when the operator panel input is correct.
Invalid Key	Off*	Does not emit a tone when the operator panel input is incorrect.
	On	Emits a tone when the operator panel input is incorrect.
Machine Ready	Off*	Does not emit a tone when the printer becomes ready.
	On	Emits a tone when the printer becomes ready.
Job Completed	Off*	Does not emit a tone when a job is complete.
	On	Emits a tone when a job is complete.
Fault Tone	Off*	Does not emit a tone when a job ends abnormally.
	On	Emits a tone when a job ends abnormally.
Alert Tone	Off*	Does not emit a tone when a problem occurs.
	On	Emits a tone when a problem occurs.
Out of Paper	Off*	Does not emit a tone when the printer runs out of paper.
	On	Emits a tone when the printer runs out of paper.

Low Toner Alert	Off*	Does not emit a tone when toner or some other consumable is low.
	On	Emits a tone when toner or some other consumable is low.
Base Tone	Off*	Does not emit a tone when the operator panel display is returned to the default settings by scrolling the loop menu.
	On	Emits a tone when the operator panel display is returned to the default settings by scrolling the loop menu.

Fault Time-Out

Purpose:

To specify in seconds the amount of time the printer should cancel for a job stops abnormally. The print job is cancelled if the time-out time is exceeded.

Values:

Off	Disables the fault time-out.	
On	60 sec.*	Specifies the amount of time the printer cancels for a job stops abnormally.
	6-300 sec.	

Job Time-Out

Purpose:

To specify in seconds the amount of time the printer should wait for data to arrive from the computer. The print job is cancelled if the time-out time is exceeded.

Values:

Off	Disables the job time-out.	
On	30 sec.*	Specifies the amount of time the printer should wait for data to arrive from the computer.
	5-300 sec.	

Panel Language

Purpose:

To determine the language of the text on the operator panel screen.

Values:

English*	Français
Italiano	Deutsch
Español	Dansk
Nederlands	Norsk
Svenska	

Auto Log Print

Purpose:


To automatically print a log of completed jobs after every 20 jobs.

Values:

Off*	Does not automatically output a log of completed jobs.
-------------	--

On	Automatically outputs a log of completed jobs.
-----------	--

Print logs can also be printed using the `Report/List` menu.

 **NOTE:** Restart your printer when you change the settings for the **RAM Disk** menu.


Print ID

Purpose:

To specify a location where the user ID is printed.

Values:

Off*	Does not print the user ID.
Top Left	Prints the user ID on the top left of the page.
Top Right	Prints the user ID on the top right of the page.
Bottom Left	Prints the user ID on the bottom left of the page.
Bottom Right	Prints the user ID on the bottom right of the page.

 **NOTE:** When printing on DL size paper, a part of the user ID may not be printed correctly.

Print Text

Purpose:

To specify whether the printer outputs PDL data, which is not supported by the printer, as text when the printer receives it. Text data is printed on A4 or Letter size paper.

Values:

On*	Prints the received data as text data.
Off	Does not print the received data.

Banner Sheet

Purpose:

To specify the position of banner sheet, and also specify the tray in which the banner sheet is loaded. This feature is available for the PCL driver but is not available for the PS driver.

Values:

Insert Position	Off*	Does not print the banner sheet.
	Front	Inserted before the first page of every copy.
	Back	Inserted after the last page of every copy.
	Front & Back	Inserted before the first page of every copy and after the last page of every copy.
Specify Tray	Tray 1*	The banner sheet is loaded in the first tray from the top.
	Tray 2*¹	The banner sheet is loaded in the second tray from the top.
	Tray 3*¹	The banner sheet is loaded in the third tray from the top.
	Tray 4*²	The banner sheet is loaded in the fourth tray from the top.
	Tray 5*²	The banner sheet is loaded in the fifth tray from the top.
	MPF	The banner sheet is loaded in multipurpose feeder (MPF).

*¹ This item is displayed only when an optional 550-sheet feeder or 1100-sheet feeder is installed on the printer.

*2 This item is displayed only when an optional 1100-sheet feeder is installed on the printer.


RAM Disk


Purpose:

To allocate memory to the RAM disk file system for the Secure Print, Proof Print, and Mailbox Print features. The change becomes effective after the printer is turned off and then on again.

Values:

Enable	Allocate memory to the RAM disk file system.
Disable	Does not allocate memory to the RAM disk file system. Secure Print and Proof Print jobs will abort and be recorded to the job log.
500MB*	Specifies the amount of memory to allocate to the RAM disk file system. (50 MB step)
50-1000MB	

 **NOTE:** The **RAM Disk** menu is displayed only when memory module is installed on the printer.

 **NOTE:** Restart your printer when you change the settings for the **RAM Disk** menu.

Date & Time

Purpose:

To set the date and time, and regional time zone of the printer.

Values:

Set Date	Specifies the date of the printer with the date format; yy/mm/dd, mm/dd/yy, or dd/mm/yy.			
Set Time	Specifies the time of the printer on 12 Hour Clock or 24 Hour Clock.			
Date Format	dd/mm/yy*	Specifies the date format; dd/mm/yy.		
	yy/mm/dd	Specifies the date format; yy/mm/dd.		
	mm/dd/yy	Specifies the date format; mm/dd/yy.		
Time Format	12 Hour Clock	Specifies the date format; 12 Hour Clock.		
	24 Hour* Clock	Specifies the date format; 24 Hour Clock.		
Time Zone	UTC -12:00	UTC -03:30	UTC +04:00	UTC +09:00
	UTC -11:00	UTC -03:00	UTC +04:30	UTC +09:30
	UTC -10:00	UTC -02:00	UTC +05:00	UTC +10:00
	UTC -09:00	UTC -01:00	UTC +05:30	UTC +11:00
	UTC -08:00	UTC 00:00*	UTC +05:45	UTC +12:00
	UTC -07:00	UTC +01:00	UTC +06:00	UTC +13:00
	UTC -06:00	UTC +02:00	UTC +06:30	
	UTC -05:00	UTC +03:00	UTC +07:00	
	UTC -04:00	UTC +03:30	UTC +08:00	

Substitute Tray

Purpose:

To specify whether or not to use another size paper when the paper that is loaded in the specified tray does not match the

paper size settings for the current job.

Values:

Off	No tray size substitute accepted.
Larger Size	Substitutes paper of next largest size. When there is no larger paper size, the printer substitutes paper of nearest size.
Nearest Size*	Substitutes paper of nearest size.
MPF Feed	Substitutes paper from the MPF.


mm/inch

Purpose:

To specify the default measurement unit displayed after the numeric value on the operator panel.

Values:

millimeter (mm)	Selects millimeter as the default measurement unit.
inch (")	Selects inch as the default measurement unit.

 **NOTE:** The default for mm/inch varies depending on other settings, such as Country and Document Size.

Set Available Time

Purpose:

To specify the time period when printing is available.

Values:

Off*	Does not specify the time period when printing is available.	
On	Specifies the time period when printing is available.	
	Start Time	Specifies the start time of the time period when printing is available.
	End Time	Specifies the end time of the time period when printing is available.
	Recurrence	Specifies the day of the week to repeat the setting.


Data Encryption

Purpose:

To disable or enable data encryption when using the printer.

Values:

Encryption	Off*	Disables to encrypt the data.
	On	Enables to encrypt the data.
Encryption Key	Sets a key that is required to encrypt.	

 **NOTE:** You can enter only characters from 0 to 9, a to z, A to Z, and NULL values for encryption key.


HDD Overwrite Mode

Purpose:

To select to overwrite the hard disk drive and the number of times you can overwrite the disk.

Values:

Off*	Disables to overwrite the hard disk drive.
1Time	Overwrites the hard disk drive once.
3Times	Overwrites the hard disk drive 3 times.

 **NOTE:** This item is available only when the optional hard disk drive is installed.

Secure Job Expiration**Purpose:**

To specify the date and time to delete the files stored as Secure Print in the RAM disk or the hard disk drive.

Values:

Expiration Mode	Off*	Does not specify the date and time to delete the files stored as Secure Print in the RAM disk or the hard disk drive.
	On	Specifies the date and time to delete the files stored as Secure Print in the RAM disk or the hard disk drive.
Expiration Time	Specifies the time to delete the files stored as Secure Print in the RAM disk or the hard disk drive.	
Recurrence	Daily	Specifies to delete the files stored as Secure Print in the RAM disk or the hard disk drive daily.
	Weekly*	Specifies to delete the files stored as Secure Print in the RAM disk or the hard disk drive weekly.
	Monthly	Specifies to delete the files stored as Secure Print in the RAM disk or the hard disk drive monthly.
Weekly Settings	Monday*	Specifies to delete the files stored as Secure Print in the RAM disk or the hard disk on Mondays.
	Tuesday	Specifies to delete the files stored as Secure Print in the RAM disk or the hard disk on Tuesdays.
	Wednesday	Specifies to delete the files stored as Secure Print in the RAM disk or the hard disk on Wednesdays.
	Thursday	Specifies to delete the files stored as Secure Print in the RAM disk or the hard disk on Thursdays.
	Friday	Specifies to delete the files stored as Secure Print in the RAM disk or the hard disk on Fridays.
	Saturday	Specifies to delete the files stored as Secure Print in the RAM disk or the hard disk on Saturdays.
	Sunday	Specifies to delete the files stored as Secure Print in the RAM disk or the hard disk on Sundays.
Monthly Settings	1 Day*	Specifies to delete the files stored as Secure Print in the RAM disk or the hard disk on the first day of the month.
	2-28 Day	Specifies the day of the month to delete the files stored as Secure Print in the RAM disk or the hard disk.

 **NOTICE:** This item is available only when the RAM disk is on or the optional hard disk is installed.

ColorTrack Mode**Purpose:**

To specify which users have access to color printing and to limit print volume per user.

Values:

Off*	Enables to print the data with no authentication information.
Internal Mode	Restricts printing based on the print user information registered in the internal server.
External Mode	Restricts printing based on the print user information registered in the external server.

No Account User Print

Purpose:

To specify whether to permit the printing of data with no authentication information.

Values:

Off*	Rejects printing the data with no authentication.
On*¹	Permits printing the data with no authentication.
* ¹ Set No Account User Password using the Dell Printer Configuration Web Tool.	

ColorTrack Error Report

Purpose:

To specify whether to print the error report on the ColorTrack.

Values:

Off*	Not print the content of a printer output error for a ColorTrack.
On	Print the content of a printer output error for a ColorTrack.

Letterhead Duplex Mode

Purpose:

To enable or disable duplex printing when using letterhead paper.

Values:

Disable*	Disables duplex printing for letterhead paper.
Enable	Enables duplex printing for letterhead paper.

Low Toner Alert Msg

Purpose:

To turn Off or On the alert message when toner is low.

Values:

Off	Shows no alert message when the toner is low.
On*	Shows the alert message when the toner is low.

Job Offset

Purpose:

To identify one paper set from another set by offsetting the output paper.

Values:

Off*	Disables to offset the output paper.
Offset per Set	Offsets each copy before printing the next copy.
Offset per Job	Offsets each copy per paper job you specify.

 **NOTE:** This item is available only when the optional output expander is installed.

Banner Sheet Offset**Purpose:**

To specify whether to offset the output paper, and insert a banner sheet before the first page of each copy.

Values:

Off*	Disables to insert the banner sheet after offsetting the output paper.
On	Enables to insert the banner sheet after offsetting the output paper.

 **NOTE:** This item is available only when the optional output expander is installed.

Job Offset of Staple**Purpose:**

To offset the output paper, and specify whether to staple each copy.

Values:

Off	Disables to staple each copy after offsetting the output paper.
Offset per Set*	Enables to staple each copy after offsetting the output paper.
Offset per Job	Enables to staple per paper job after offsetting the output paper.

 **NOTE:** This item is available only when the optional output expander is installed.

Stapler Cart. Empty**Purpose:**

To specify whether to continue a print job when the stapler cartridge is empty.

Values:

Not Continue*	Stops the print job when the stapler cartridge is empty.
Continue	Continues the print job when the stapler cartridge is empty.

 **NOTE:** This item is available only when the optional output expander is installed.


Power On Wizard**Purpose:**

To perform initial setup for the printer.

Maintenance

Use the Maintenance menu to initialize the NV (non-volatile) memory, configure the plain paper quality adjustment

settings, and configure the security settings.

 **NOTE:** Values marked by an asterisk (*) are the factory default menu settings.

F/W Version

Purpose:

To display the printer's firmware version.

Service Tag

Purpose:

To display the printer's service tag.

Paper Density

Purpose:

To specify paper density settings.

Values:

Plain	Normal *
	Light
Label	Normal *
	Light

Adjust BTR

 **NOTICE:** The print quality changes depending on the setting values you select for this item.

Purpose:

To specify the optimum voltage settings for printing for the transfer roller (BTR). To lower the voltage, set negative values. To increase, set positive values.

The default settings may not give the best output on all paper types. If you see mottles on the print output, try to increase the voltage. If you see white spots on the print output, try to decrease the voltage.

Values:

Plain (60 to 90 gsm)	0*
	-6 - +6
Plain Thick (80/90 to 105 gsm)	0*
	-6 - +6
Transparency	0*
	-6 - +6
Covers (106 to 163 gsm)	0*
	-6 - +6
Covers Thick (164 to 216 gsm)	0*
	-6 - +6
Label	0*

	-6 - +6
Coated (106 to 163 gsm)	0*
	-6 - +6
Coated Thick (164 to 216 gsm)	0*
	-6 - +6
Envelope	0*
	-6 - +6
Recycled	0*
	-6 - +6

Adjust Fuser

Purpose:

To specify the optimum temperature settings for printing for the fuser. To lower the temperature, set negative values. To increase, set positive values.

The default settings may not give the best output on all paper types. When the printed paper has curled, try to lower the temperature. When the toner does not fuse on the paper properly, try to increase the temperature.

Values:

Plain (60 to 90 gsm)	0*
	-6 - +6
Plain Thick (80/90 to 105 gsm)	0*
	-6 - +6
Transparency	0*
	-6 - +6
Covers (106 to 163 gsm)	0*
	-6 - +6
Covers Thick (164 to 216 gsm)	0*
	-6 - +6
Label	0*
	-6 - +6
Coated (106 to 163 gsm)	0*
	-6 - +6
Coated Thick (164 to 216 gsm)	0*
	-6 - +6
Envelope	0*
	-6 - +6
Recycled	0*
	-6 - +6

Auto Registration Adjustment

Purpose:

To specify whether to automatically perform color registration adjustment.

Values:

On*	Automatically performs color registration adjustment.
Off	Does not automatically perform color registration adjustment.

Color Registration Adjustment

Purpose:

To specify whether to manually perform color registration adjustment.

Manual Color Registration Adjustments are required such as when the printer is initially installed and after the printer is moved.



NOTE: The Color Registration Adjustment feature can be configured when Auto Registration Adjustment is set to Off.

Values:

Auto Correct	Automatically performs color registration correction.		
ColorRegi Chart	Prints a color registration chart. The color registration chart prints a lattice pattern of yellow, magenta, and cyan lines. On the chart, find the values on the right side that are next to the straightest lines for each of the three colors. If the value for the straightest line is 0, color registration adjustment is not required. If the value for the straightest line is any value other than 0, specify the adjustment values under Enter Number .		
Enter Number	LeftYellow	0*	Specifies the values that are found in the color registration chart for Left Yellow.
		-5 - +5	
	LeftMagenta	0*	Specifies the values that are found in the color registration chart for Left Magenta.
		-5 - +5	
	LeftCyan	0*	Specifies the values that are found in the color registration chart for Left Cyan.
		-5 - +5	
RightYellow	0*	Specifies the values that are found in the color registration chart for Right Yellow.	
	-5 - +5		
RightMagenta	0*	Specifies the values that are found in the color registration chart for Right Magenta.	
	-5 - +5		
RightCyan	0*	Specifies the values that are found in the color registration chart for Right Cyan.	
	-5 - +5		

Adjust Altitude

Purpose:

To specify the altitude of the location where the printer is installed.

The discharge phenomenon for charging the photo conductor varies with barometric pressure. Adjustments are performed by specifying the altitude of the location where the printer is being used.



NOTICE: An incorrect altitude adjustment setting leads to poor printing quality, incorrect indication of remaining toner, etc.

Values:

0m*	
------------	--

1000m	Specifies the altitude of the location where the printer is installed.
2000m	
3000m	
4000m	

Initialize PrintMeter

Purpose:

To initialize the print meter of the printer. When the print meter is initialized, the meter count is reset to 0.

Reset Defaults

Purpose:

To initialize the NV (non-volatile) memory. After executing this function and rebooting the printer, all the menu parameters, except the parameters for the network, are reset to their default values.

Clear Storage

Purpose:

To clear all files stored as Secure Print, Mailbox Print, Proof Print and Stored Print in the RAM disk or the optional hard disk.

Values:


All Clear	Deletes all files stored as Secure Print, Mailbox Print, and Proof Print in the RAM disk or the optional hard disk.
Secure Document	Deletes all files stored as Secure Print and Mailbox Print in the RAM disk or the optional hard disk.
Stored Document	Clears all files stored as Stored Print in the RAM disk or the optional hard disk.

 **NOTE:** This item is available only when the RAM disk is on or the optional hard disk is installed.

Format HDD

Purpose:


To initialize the optional hard disk.


 **NOTE:** The Format HDD menu is displayed only when an optional hard disk is installed on your printer.

Non-Dell Toner

Purpose:

To specify whether or not to use another manufacturer's toner cartridge.

 **NOTE:** Before you use another manufacture's toner cartridge, be sure to restart the printer.


 **NOTICE:** Use of a non-Dell toner cartridge may result in some of the printer's functions to be unavailable, a reduction in print quality, or deterioration of printer's reliability. Use of a new Dell brand toner cartridge is recommended for your printer. The Dell warranty does not cover any problems caused by the use of any accessory, part, or component that is not supplied by Dell.

Values:

Off*	Does not use another manufacturer's toner cartridge.
On	Uses another manufacturer's toner cartridge.

PCL

Use the PCL menu to change printer settings that only affect jobs using the PCL emulation printer language.

 **NOTE:** Values marked by an asterisk (*) are the factory default menu settings.

Paper Tray

Purpose:

To specify the input tray.

Values:

Auto*	Automatically selects a tray according to the paper size and type settings of the printing job.
Tray 1	The paper is fed from the first tray from the top.
Tray 2*¹	The paper is fed from the second tray from the top.
Tray 3*¹	The paper is fed from the third tray from the top.
Tray 4*²	The paper is fed from the fourth tray from the top.
Tray 5*²	The paper is fed from the fifth tray from the top.
MPF	The paper is fed from the MPF.
* ¹ This item is displayed only when an optional 550-sheet feeder or 1100-sheet feeder is installed on the printer.	
* ² This item is displayed only when an optional 1100-sheet feeder is installed on the printer.	

Paper Size


Purpose:

To specify the default paper size.

Values:

A4*¹			
B5			
8.5x13"			
Executive			
DL			
Envelope #10			
A5			
Letter*¹			
Legal			
Monarch			
C5			
Custom Size	X Size	210 mm*/8.3 inch*	Specifies the width of the custom size paper.
		77 - 215 mm/3.0-8.5 inches	

Y Size	297 mm*/11.7 inch*	Specifies the length of the custom size paper.
	127 - 355 mm/5.0-14.0 inches	
*1 Denotes country-specific factory default values.		

 **NOTE:** Selecting a custom size for the paper size prompts you to enter a custom length and width.

210 mm*/8.3 inch*	Specifies the width of the custom size paper.
77 - 215 mm/3.0-8.5 inches	

Orientation

Purpose:

To specify how text and graphics are oriented on the page.

Values:

Portrait*	Prints text and graphics parallel to the short edge of the paper.
Landscape	Prints text and graphics parallel to the long edge of the paper.

2 Sided

Purpose:

To set duplexing as the default for all print jobs. (Select **Duplex** from the printer driver to duplex only specific jobs.)

Values:

2 Sided Print	Off*	Prints on one side of the paper.
	On	Prints on both sides of the paper.
Binding Edge	Flip Long Edge*	Assumes binding along the long edge of the page. (Left edge for portrait orientation and top edge for landscape orientation)
	Flip Short Edge	Assumes binding along the short edge of the page. (Top edge for portrait orientation and left edge for landscape orientation)

Font

Purpose:

To specify the default font from the fonts registered in the printer.

Values:

CG Times	CG Times It	CG Times Bd
CG Times BdlIt	Univers Md	Univers MdIt
Univers Bd	Univers BdlIt	Univers MdCd
Univers MdCdIt	Univers BdcCd	Univers BdcCdIt
AntiqueOlv	AntiqueOlv It	AntiqueOlv Bd
CG Omega	CG Omega It	CG Omega Bd
CG Omega BdlIt	GaramondAntiqua	Garamond Krsv
Garamond Hlb	GaramondKrsvHlb	Courier*
Courier It	Courier Bd	Courier BdlIt
LetterGothic	LetterGothic It	LetterGothic Bd

Albertus Md	Albertus XBd	Clarendon Cd
Coronet	Marigold	Arial
Arial It	Arial Bd	Arial Bdl t
Times New	Times New It	Times New Bd
Times New Bdl t	Symbol	Wingdings
Line Printer	Times Roman	Times It
Times Bd	Times Bdl t	Helvetica
Helvetica Ob	Helvetica Bd	Helvetica BdOb
CourierPS	CourierPS Ob	CourierPS Bd
CourierPS BdOb	SymbolPS	Palatino Roman
Palatino It	Palatino Bd	Palatino Bdl t
ITCBookman Lt	ITCBookman LtIt	ITCBookmanDm
ITCBookmanDm It	HelveticaNr	HelveticaNr Ob
HelveticaNr Bd	HelveticaNrBdOb	N C Schbk Roman
N C Schbk It	N C Schbk Bd	N C Schbk Bdl t
ITC A G Go Bk	ITC A G Go BkOb	ITC A G Go Dm
ITC A G Go DmOb	ZapfC Mdl t	ZapfDingbats

Symbol Set

Purpose:

To specify a symbol set for a specified font.

Values:

ROMAN-8*	ISO L1	ISO L2
ISO L5	ISO L6	PC-8
PC-8 DN	PC-775	PC-850
PC-852	PC-1004	PC-8 TK
WIN L1	WIN L2	WIN L5
DESKTOP	PS TEXT	MC TEXT
MS PUB	MATH-8	PS MATH
PI FONT	LEGAL	ISO-4
ISO-6	ISO-11	ISO-15
ISO-17	ISO-21	ISO-60
ISO-69	WIN 3.0	WINBALT
SYMBOL	WINGDINGS	DNGBTSMS

Font Size


Purpose:

To specify the font size for scalable typographic fonts.

Values:

12.00*	Specify the values in increments of 0.25.
4.00 - 50.00	

Font size refers to the height of the characters in the font. One point equals approximately 1/72 of an inch.

 **NOTE:** The Font Size menu is only displayed for typographic fonts.

See also:

["Pitch and Point Size."](#)

Font Pitch


Purpose:

To specify the font pitch for scalable monospaced fonts.

Values:

10.00*	Specify the value in increments of 0.01.
6.00-24.00	

Font pitch refers to the number of fixed-space characters in a horizontal inch of type. For nonscalable monospaced fonts, the pitch is displayed, but cannot be changed.

 **NOTE:** The Font Pitch menu is only displayed for fixed or monospaced fonts.

See also:

["Pitch and Point Size."](#)

Form Line

Purpose:

To set the number of lines in a page.

Values:

64* ¹	Specify the value in increments of 1.
5-128	
* ¹ Denotes country-specific factory default values.	

The printer sets the amount of space between each line (vertical line spacing) based on the `Form Line` and `Orientation` menu items. Select the correct `Form Line` and `Orientation` before changing `Form Line`.

See also:

["Orientation."](#)

Quantity

Purpose:

To set the default print quantity. (Set the number of copies required for a specific job from the printer driver. Values selected from the printer driver always override values selected from the operator panel.)

Values:

1*	Specify the value in increments of 1.
1-999	

Image Enhancement

Purpose:

To specify whether to perform the image enhancement feature. Image enhancement is a feature that makes the boundary line between black and white smoother to decrease jagged edges and enhance the visual appearance.

Values:

Off	Disables the Image Enhancement feature.
On*	Enables the Image Enhancement feature.

Hex Dump**Purpose:**

To help isolate the source of a print job problem. With Hex Dump selected, all data sent to the printer is printed in hexadecimal and character representation. Control codes are not executed.

Values:

Disable*	Disables the Hex Dump feature.
Enable	Enables the Hex Dump feature.

Draft Mode**Purpose:**

To save toner by printing in the draft mode. The print quality is reduced when printing in the draft mode.

Values:

Disable*	Does not print in the draft mode.
Enable	Prints in the draft mode.

Line Termination**Purpose:**

To add the line termination commands.

Values:

Off*	The line termination command is not added. CR=CR, LF=LF, FF=FF
Add-LF	The LF command is added. CR=CR-LF, LF=LF, FF=FF
Add-CR	The CR command is added. CR=CR, LF=CR-LF, FF=CR-FF
CR-XX	The CR and LF commands are added. CR=CR-LF, LF=CR-LF, FF=CR-FF

Default Color**Purpose:**

To specify the color mode to Color or Black. This setting is used for a print job which does not specify a print mode.


Value:

--	--

Black*	Prints in the black and white mode.
Color	Prints in the color mode.

PostScript

Use the **PostScript** menu to change printer settings that only affect jobs using the PostScript emulation printer language.

 **NOTE:** Values marked by an asterisk (*) are the factory default menu settings.

PS Error Report

Purpose:

To specify whether the printer outputs error contents for a PostScript error. The change becomes effective after the printer is turned off and then on again.

Values:

Off	Discards the print job without printing an error message.
On*	Prints an error message before it discards the job.

 **NOTE:** This instructions from the PS driver override the settings specified on the operator panel.

PS Job Time-Out

Purpose:

To specify the execution time for one PostScript job. The change becomes effective after the printer is turned off and then on again.

Values:

Off*	Job time-out does not occur.	
On	1-900 min.	A PostScript error occurs if processing is not completed after the specified time.

PaperSelectMode

Purpose:

To specify the way to select the tray for PostScript mode. The change becomes effective after the printer is turned off and then on again.

Values:

Auto*	The tray is selected as the same setting as in the PCL mode.
Select from Tray	The tray is selected in a method compatible with regular Post Script printers.

Default Color

Purpose:


To specify the color mode to `Color` or `Black`. This setting is used for a print job which does not specify a print mode.

Value:

Black	Prints in the black and white mode.
Color*	Prints in the color mode.

Panel Settings

Use the `Panel Settings` menu to set a password to limit access to the menus. This prevents items from being changed accidentally.

 **NOTE:** Values marked by an asterisk (*) are the factory default menu settings.

See also:

["Panel Lock."](#)

Panel Lock

Purpose:

To limit access to the menus.

Values:

Disable*	Does not limit access to the menus.
Enable	Limits access to the menus.

New Password

Purpose:

To set a password to limit access to the menus.

Values:

0000*	Sets or changes the password required to access Admin Menu and Report/List.
0000-9999	

Re-enter Password

Purpose:

To re-enter your password for confirmation.

Login Error

Purpose:


To specify the number of error entry attempts allowed when logging in as administrator in the `Admin Menu` and `Report/List`.

Values:

Off	The administrator cannot access Admin Menu and Report/List. after he fails to log in.	
On	5 times*	Sets the error time when the administrator logs in Admin Menu and Report/List.
	1 - 10 times	

Tray Settings

Use the `Tray Settings` menu to define the print media loaded in each tray.

 **NOTE:** Values marked by an asterisk (*) are the factory default menu settings.

MPF


Purpose:

To specify the paper loaded in the MPF.

Values:

Paper Type	Plain (60 to 90 gsm)*			
	Plain Thick (80/90 to 105 gsm)			
	Transparency			
	Covers (106 to 163 gsm)			
	Covers Thick (164 to 216 gsm)			
	Label			
	Coated (106 to 163 gsm)			
	Coated Thick (164 to 216 gsm)			
	Envelope			
	Recycled			
	Letter Head			
	Plain S2 (60 to 90 gsm)* ¹			
	Plain Thick S2 (80/90 to 105 gsm)* ¹			
	Covers S2 (106 to 163 gsm)* ¹			
	Covers Thick S2 (164 to 216 gsm)* ¹			
	Coated S2 (106 to 163 gsm)* ¹			
	Coated Thick S2 (164 to 216 gsm)* ¹			
	Recycled S2* ¹			
Paper Size	Use Driver Settings*			
	A4			
	A5			
	B5			
	Letter			
	8.5x13"			
	Legal			
	Executive			
	Monarch			
	DL			
	C5			
	Envelope #10			
	Custom Size	X Size	210 mm*/8.3 inch*	Specifies the width of the custom size paper.
			77 - 215 mm/3.0-8.5 inches	
Y Size		297 mm*/11.7 inch*	Specifies the length of the custom size paper.	
		127 - 355 mm/5.0-14.0 inches		
Panel				

MPF Mode	Specified	Stop printing and show an error on the operator panel if the paper specified from the printer driver does not match the paper configured for the MPF from the operator panel.
	Driver Specified*	Continue to print even if the paper specified from the printer driver does not match the paper configured for the MPF from the operator panel.
Display Popup	On*	Specifies the size and type of paper loaded in the MPF. This item is available only when <code>Panel Specified</code> is selected for <code>MPF Mode</code> .
	Off	Size and type of paper loaded in the MPF is not specified. This item is available only when <code>Panel Specified</code> is selected for <code>MPF Mode</code> .
*1 S2 indicates papers whose one side has been printed already.		

 **NOTE:** For the tray 1, optional 550-sheet feeder, or optional 1100-sheet feeder setting paper size is not required. These trays detect the paper size automatically. For more information on supported paper size for the standard and optional trays, see "[Supported Paper Sizes](#)."

Use this menu item to:

- Optimize print quality for the specified paper.
- Select paper source through your software program by selecting type and size.
- Automatically link trays. The printer automatically links any trays containing the same type and size of paper, if you have set the `Paper Type` to the correct values.

Tray 1

Purpose:

To specify the paper loaded in the top tray.

Values:

Paper Type	Plain(60 to 90 gsm) *			
	Plain Thick (80/90 to 105 gsm)			
	Transparency			
	Covers(106 to 163 gsm)			
	Covers Thick (164 to 216g sm)			
	Label			
	Coated (106 to 163 gsm)			
	Coated Thick (164 to 216 gsm)			
	Envelope			
	Recycled			
	Letter Head			
Paper Size	Auto *			
	Monarch			
	DL			
	C5			
	Envelope #10			
	Custom Size	X Size	210 mm*/8.3 inch*	Specifies the width of the custom size paper.
			77 - 215 mm/3.0-8.5 inches	
Custom Size	Y Size	297 mm*/11.7 inch*	Specifies the length of the custom size paper.	
		127 - 355 mm/5.0-14.0 inches		

Tray 2

Purpose:

To specify the paper loaded in the second tray from the top.

Values:

Paper Type	Plain(60 to 90 gsm) *			
	Plain Thick (80/90 to 105 gsm)			
	Covers (106 to 163 gsm)			
	Covers Thick (164 to 216g sm)			
	Recycled			
	Letter Head			
Paper Size	Auto*			
	Monarch			
	DL			
	C5			
	Envelope #10			
	Custom Size	X Size	210 mm*/8.3 inch*	Specifies the width of the custom size paper.
			77 - 215 mm/3.0-8.5 inches	
Y Size		297 mm*/11.7 inch*	Specifies the length of the custom size paper.	
		127 - 355 mm/5.0-14.0 inches		

Tray 3

Purpose:

To specify the paper loaded in the third tray from the top.

Values:

Paper Type	Plain (60 to 90 gsm) *			
	Plain Thick (80/90 to 105 gsm)			
	Covers (106 to 163 gsm)			
	Covers Thick (164 to 216g sm)			
	Recycled			
	Letter Head			
Paper Size	Auto*			
	Monarch			
	DL			
	C5			
	Envelope #10			
	Custom Size	X Size	210 mm*/8.3 inch*	Specifies the width of the custom size paper.
			77 - 215 mm/3.0-8.5 inches	
Y Size		297 mm*/11.7 inch*	Specifies the length of the custom size paper.	
		127 - 355 mm/5.0-14.0 inches		

Tray 4

Purpose:

To specify the paper loaded in the fourth tray from the top.

Values:

Paper Type	Plain (60 to 90 gsm)*			
	Plain Thick (80/90 to 105 gsm)			
	Covers (106 to 163 gsm)			
	Covers Thick (164 to 216g sm)			
	Recycled			
	Letter Head			
Paper Size	Auto*			
	Monarch			
	DL			
	C5			
	Envelope #10			
	Custom Size	X Size	210 mm*/8.3 inch*	Specifies the width of the custom size paper.
			77 - 215 mm/3.0-8.5 inches	
Custom Size	Y Size	297 mm*/11.7 inch*	Specifies the length of the custom size paper.	
		127 - 355 mm/5.0-14.0 inches		

Tray 5

Purpose:

To specify the paper loaded in the fifth tray from the top.

Values:

Paper Type	Plain (60 to 90 gsm)*			
	Plain Thick (80/90 to 105 gsm)			
	Covers (106 to 163 gsm)			
	Covers Thick (164 to 216g sm)			
	Recycled			
	Letter Head			
Paper Size	Auto*			
	Monarch			
	DL			
	C5			
	Envelope #10			
	Custom Size	X Size	210 mm*/8.3 inch*	Specifies the width of the custom size paper.
			77 - 215 mm/3.0-8.5 inches	
Custom Size	Y Size	297 mm*/11.7 inch*	Specifies the length of the custom size paper.	
		127 - 355 mm/5.0-14.0 inches		

Print Menu

The `Print` Menu provides document storing services with Secure Print, Private Mailbox Print, Public Mailbox Print, and Proof Print.

 **NOTE:** The Print Menu is displayed only when the RAM disk is set to on or the optional hard disk is installed.

Secure Print

Purpose:

To specify printing and deleting the stored document.

Values:

Select User ID	Enter the password you specified on the printer driver.		
	All Document	Print and Delete	Deletes all documents from print memory after printing them.
		Delete	Deletes all documents from print memory.
	document n (n is number)	Print and Delete	Deletes the specified document from print memory after printing it.
Delete		Deletes the specified document from print memory.	

Private Mailbox

Purpose:

To specify printing and deleting the stored document.

Values:

Select User ID	Enter the password you specified on the printer driver.		
	All Document	Print and Delete	Deletes all documents from print memory after printing them.
		Print	Prints all documents and save them in memory.
		Delete	Deletes all documents from print memory.
	document n (n is number)	Print and Delete	Deletes the specified document from print memory after printing it.
		Print	Prints the specified document and save it in memory.
Delete		Deletes the specified document from print memory.	

Public Mailbox

Purpose:

To specify printing and deleting the stored document.

Values:

Select User ID	Enter the password you specified on the printer driver.		
	All Document	Print and Delete	Deletes all documents from print memory after printing them.
		Print	Prints all documents and save them in memory.
		Delete	Deletes all documents from print memory.
	document n (n is number)	Print and Delete	Deletes the specified document from print memory after printing it.
		Print	Prints the specified document and save it in memory.
Delete		Deletes the specified document from print memory.	

Proof Print

Purpose:

To specify printing and deleting the stored document.

Values:










Select User ID	Enter the password you specified on the printer driver.		
	All Document	Print and Delete	Deletes all documents from print memory after printing them.
		Print	Prints all documents and save them in memory.
		Delete	Deletes all documents from print memory.
	document n (n is number)	Print and Delete	Deletes the specified document from print memory after printing it.
		Print	Prints the specified document and save it in memory.
		Delete	Deletes the specified document from print memory.


Panel Lock




This feature prevents unauthorized personnel from changing settings made by the administrator. For regular printing, items can be selected from the menu and printer settings remain unchanged. For regular printing, items can be configured using the printer driver.


 **NOTE:** Disabling the operator panel menus does not prevent access to the Stored Print and Tray Settings menus.

Enabling the Panel Lock

1. Press **Menu** button.
2. Press  button until **Admin Menu** is highlighted, and then press  (**Set**) button.
3. Press  button until **Panel Settings** is highlighted, and then press  (**Set**) button.
4. **Panel Lock** is displayed. Press  (**Set**) button.
5. Press  button until **Enable** is highlighted, and then press  (**Set**) button.
6. Enter the new password, and then press  (**Set**) button.
7. Re-enter the password to confirm the password that you entered, and then press  (**Set**) button.
The password has been changed.

 **NOTE:** If you forget your password, turn off the printer. Then, while holding **Menu** button, turn on the printer. Perform steps 6 to 7 to reset the password. This will recover the factory default panel password.

 **NOTE:** If you change the password while **Panel Lock** is **Enable**, follow the following steps. Perform steps 1 and 2. Press  button until **Change Password** is highlighted, and then press  (**Set**) button. Perform steps 6 and 7 to change the password. This will change the password.

 **NOTE:** If **Panel Lock** is **Enable**, the factory-default panel password is 0000.

See also:

["Change Password."](#)

Disabling the Panel Lock

1. Press **Menu** button.
 2. Press ✓ button until **Admin Menu** is highlighted, and then press ✓ **(Set)** button.
 3. Enter the password, and then press ✓ **(Set)** button.
 4. Press ✓ button until **Panel Settings** is highlighted, and then press ✓ **(Set)** button.
 5. **Panel Lock** is displayed. Press ✓ **(Set)** button.
 6. Press ✓ button until **Disable** is highlighted, and then press ✓ **(Set)** button.
 7. Enter the current password, and then press ✓ **(Set)** button.
 8. Re-enter the password to confirm the password that you entered, and then press ✓ **(Set)** button.
The setting has been changed.
-

[Back to Contents Page](#)

Understanding Your Printer Software

• [Printer Settings Utility](#)

• [Tool Box](#)

Use the *Drivers and Utilities* CD that came with your printer to install a combination of software programs, depending on your operating system.

The following software programs can only operate on Windows. They cannot operate on Macintosh, UNIX, or Linux.

Status Window

The **Status Window** alerts you when an error or warning occurs, for example, when a paper jam occurs or toner is running low.

You can specify when or whether the **Status Window** appears in the **Printing Status Window Properties** dialog box. Open this dialog box from the **start** menu or by right-clicking the **Status Monitor Console** icon.

The available selections are as below.

Value	Function
Activate window during printing	Activates the Status Window whenever printing. The window closes automatically when all print jobs finish or are cancelled.
Activate window only when an error occurs*	Activates the Status Window only when an error occurs during printing. The window closes automatically when the error is cleared.
Do not activate automatically	Does not automatically activate the Status Window .
* factory default setting	

You can also check toner level, quantity of paper remaining, and status of other consumables for the local and network printer.

Status Monitor Console

Use the **Status Monitor Console** to manage multiple **Status Window**.

- Select a printer from the list view (or **Printer Selection**) by clicking its name to open a **Status Window** for a particular printer.
- The **Status Monitor Console** displays the **Status Window** for local and network connections.

Dell Supplies Management System™

You can launch the **Dell Supplies Management System** dialog box from the printing status window (for the local printer only), the **All Programs** menu, or the desktop icon. You can also launch it from the **Status Window** when a toner error occurs.

You can order consumables by phone or from the web.

1. Click **start**® **All Programs**® **Dell Printers**® **Additional Color Laser Software**® **Dell Supplies Management System**.

The **Dell Supplies Management System** window appears.

2. Select your printer from the **Select Printer Model** list.
3. If you are ordering from the Web:

- a. When you cannot get information from the printer automatically by two-way communication, a window that prompts you to type the Service Tag appears. Type your Dell printer Service Tag in the field provided.

Your Service Tag is located inside the front cover of your printer.

- b. Select a URL from the **Select Reorder URL** list.
- c. Click **Visit Dell printer supplies ordering web site**.

4. If ordering by phone, call the number that appears under the **Order by Phone** heading.

User Setup Disk Creating Tool

The **User Setup Disk Creating Tool** program located in the **MakeDisk** folder of the **Utilities** folder on the *Drivers and Utilities* CD and the printer drivers located on the *Drivers and Utilities* CD are used to create driver installation packages that contain custom driver settings. A driver installation package can contain a group of saved printer driver settings and other data for things such as:

- Print orientation and Multiple Up (document settings)
- Watermarks
- Font references

If you want to install the printer driver with the same settings to multiple computers running the same operating system, create a setup disk in a floppy disk or in a server on the network. Using the setup disk that you have created will reduce the amount of work required when installing the printer driver.

- Install in advance the Dell™ 5130cdn Color Laser Printer printer driver in the computer on which the setup disk is to be created.
- The setup disk can only be used on the operating system on which the disk was created or computers running the same operating system. Create a separate setup disk for different types of operating systems.

Software Update

The firmware and/or driver updates can be downloaded from the Dell Support website located at support.dell.com.

Printer Settings Utility

Using the **Quick Launch Utility** window, you can open **Status Window**, **Updater**, and **Troubleshooting**.

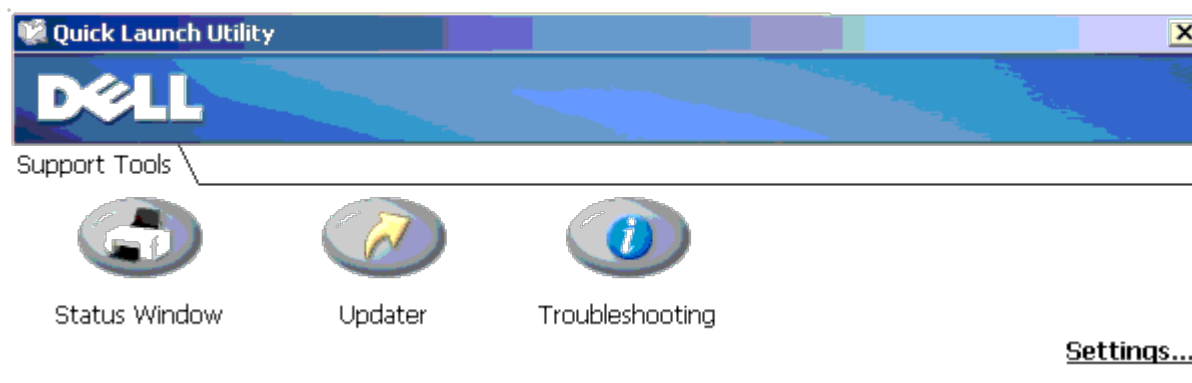
When you install the Dell software, the **Quick Launch Utility** is automatically installed.

For information about installing the software, see "[Setting Up for Shared Printing](#)."

To open the **Quick Launch Utility** window:

1. Click **start** ® **All Programs**® **Dell Printers**® **Additional Color Laser Software** ® **Quick Launch Utility**.

The **Quick Launch Utility** dialog box opens.



2. The **Quick Launch Utility** window provides three buttons; **Status Window**, **Updater**, and **Troubleshooting**.

To exit, click the X button at the top-right of the window.

For details, click the **Help** button of each application.

Status Window

The **Status Window** button opens the **Status Window**. See "[Status Window](#)."

Updater


The **Updater** button updates the settings for the printer driver, firmware and service software.

Troubleshooting

The **Troubleshooting** button opens the Troubleshooting Guide, which allows you to recover problems by yourself.

Tool Box

You can use the **Tool Box** to diagnose the printer settings. For details on the settings, see "[Understanding the Tool Box Menus](#)."

 **NOTE:** The Tool Box is available only when you connect the printer with USB or network connection.

To start the **Tool Box**.


1. Insert the *Drivers and Utilities* CD into your computer.
When the **Easy Setup Navigator** window appears, click the **Exit** button to close the window.
2. Click **start @ Run**, and then type `D:\Utilities\Tool Box\DLT12DZ.exe` (where D is the drive letter of your CD), and then click **OK**.

The dialog box prompting you to select the type of connection appears.

3. Select the type of connection between your computer and printer.

For network connection

- a. Select Network Connection.
- b. Enter the IP address or host name of your printer.

 **NOTE:** The scope ID is necessary when you enter the IPv6 address.

For USB connection

- a. Select USB Connection.
- b. In the list on the Select Printer screen, select the target printer that you diagnose printer settings for.

4. Click **OK**.

The **Tool Box** starts.

[Back to Contents Page](#)

Printing Using ColorTrack (External Authentication)

- [ColorTrack Settings](#)
- [Setting the Printer Driver](#)

With ColorTrack, you can restrict the number of pages that can be printed per user, specify the users who can print in color, and restrict the users who can access the printer, based on the user information registered on the external authentication server or the printer.

To print using ColorTrack, you must set ColorTrack Settings and the printer driver. Also, you must set the external server with ColorTrack for using an external authentication server. To set the external server, consult your system administrator.

ColorTrack Settings

To print using ColorTrack, configure the following settings.

- "[Dell ColorTrack](#)"
- "[Authentication System](#)"
- "[Kerberos Server](#)"
- "[LDAP Server](#)"
- "[LDAP Authentication](#)"

Dell ColorTrack

Specify the authentication method.

When Using the Dell™ Printer Configuration Web Tool



















1. Launch **Dell Printer Configuration Web Tool**.
 - a. Open the web browser.
 - b. Enter the IP address of your printer in the web browser.

See "[Dell Printer Configuration Web Tool](#)."

2. Select **Print Volume**.
3. Click the **Dell ColorTrack** tab.
 - Select **External Mode** for **ColorTrack Mode**.
 - Check the **No Account User Print** check box when you permit the printing of data with no authentication information. If not, remove the check mark from the **No Account User Print** check box.
 - Enter the password when the **No Account User Print** check box is On and **External Mode** is selected. Then, re-enter the password to confirm the password that you entered.
 - Check the **ColorTrack Error Report** check box, if necessary.
4. Click the **Apply New settings** button, and then turn off the printer to apply the settings.

When Using the Operator Panel

You can specify only the settings of **ColorTrack Mode**, **No Account User Print**, and **ColorTrack Error Report** using the operator Panel.

1. Press **Menu** button.
2. Press  button until **Admin Menu** is highlighted, and then press  (Set) button.
3. Press  button until **System Settings** is highlighted, and then press  (Set) button.
4. Press  button until **ColorTrack Mode** is highlighted, and then press  (Set) button.
5. Press  button until **External Mode** is highlighted, and then press  (Set) button.
6. Press **Cancel** or  button to return to the previous menu.
7. Press  button until **No Account User Print** is highlighted, and then press  (Set) button.
8. Press  button to select **Off** or **On**, and then press  (Set) button.
9. Press **Cancel** or  button to return to the previous menu.
10. Press  button until **ColorTrack Error Report** is highlighted, and then press  (Set) button.
11. Press  button to select **Off** or **On**, and then press  (Set) button.
12. Turn off the printer to apply the settings.

ColorTrack Mode

The following two authentication modes are available: the Internal Mode using user information registered on the printer, and the External Mode using user information registered on an external server. To authenticate on the external authentication server with External Mode, you need not register user information on the printer. The change becomes effective after the printer is turned off and then on again.


No Account User Print

Specify whether to permit the printing of data with no authentication information. This setting is enabled when the printer is restarted. The change becomes effective after the printer is turned off and then on again.

No-account User Password

Specify the password to be used for non-account user using 1 to 127 alphanumeric characters. If the password is left blank (NULL), you cannot log in to a server. The change becomes effective after the printer is turned off and then on again.

 **NOTE:** When **External Mode** is specified and **No Account User Print** is set to On, you must set a password.

 **NOTE:** When using an LDAP server, you also must set the same password on the server.

Re-enter No-account User Password


Enter the No-account user password again to confirm it.

ColorTrack Error Report

Specify whether to automatically print error-related information if printing using ColorTrack results in an error.

Setup Remote Authentication

Click **Setup Remote Authentication Page** to display the **Authentication System** page.

 **NOTE:** This item is displayed only when **External Mode** is specified.

Authentication System

Specify the server authentication type, the server response time-out, or the search time-out.

When Using the Dell™ Printer Configuration Web Tool

1. Launch **Dell Printer Configuration Web Tool**.
 - a. Open the web browser.
 - b. Enter the IP address of your printer in the web browser.

See "[Dell Printer Configuration Web Tool](#)."

2. Select **Print Server Settings**.
3. Click the **Security** tab.
4. Select **Authentication System**.

Authentication System page is displayed.

- Select the authentication system for **Authentication System Settings**.
 - Specify the time-out period for **Server Response Time-Out**.
 - Specify the time-out period for **Search Time-Out**.
5. Click the **Apply New settings** button, and then turn off the printer to apply the settings.

Authentication System Settings

Select the authentication system from the list. The change becomes effective after the printer is turned off and then on again.

Server Response Time-Out

Specify the amount of time the printer should wait for response from the server. Set the time period from 1 up to 75 seconds. The change becomes effective after the printer is turned off and then on again.

Search Time-Out

Specify the amount of time the printer should wait for searching for the server. Set the time period from 5 up to 120 seconds. The change becomes effective after the printer is turned off and then on again.

Kerberos Server

Specify the settings for the Kerberos Server.

When Using the Dell™ Printer Configuration Web Tool





1. Launch **Dell Printer Configuration Web Tool**.
 - a. Open the web browser.
 - b. Enter the IP address of your printer in the web browser.

See "[Dell Printer Configuration Web Tool](#)."

2. Select **Print Server Settings**.
3. Click the **Security** tab.
4. Select **Kerberos Server**.
5. Enter the primary server name or IP address, and the port address in **Primary Server Name / IP Address & Port**.
6. Enter the secondary server name or IP address, and the port address in **Secondary Server Name / IP Address & Port** if necessary.
7. Enter the domain name in **Domain Name**.
8. Click the **Apply New settings** button, and then turn off the printer to apply the settings.






Primary Server Name / IP Address & Port

Specify the primary server name or IP address, and the port address. The change becomes effective after the printer is turned off and then on again.

-  **NOTICE:** Do not use the same port address as that of another port.
-  **NOTE:** The port address must be 88 or between 5,000 and 65,535. The default value is 88.
-  **NOTE:** Specify the IP address in the nnn.nnn.nnn.nnn format for IPv4. Each section of "nnn" is a variable value between 0 and 255.
-  **NOTE:** Specify the IP address in the xxxx:xxxx:xxxx:xxxx:xxxx:xxxx:xxxx:xxxx format for IPv6. Each section of "xxxx" is a hexadecimal variable value.

Secondary Server Name / IP Address & Port


Specify the secondary server name or IP address, and the port address, as necessary. The change becomes effective after the printer is turned off and then on again.

-  **NOTICE:** Do not use the same port address as that of another port.
-  **NOTICE:** Set the secondary server after setting the primary server.
-  **NOTE:** The port address must be 88 or between 5,000 and 65,535. The default value is 88.
-  **NOTE:** Specify the IP address in the nnn.nnn.nnn.nnn format for IPv4. Each section of "nnn" is a variable value between 0 and 255.
-  **NOTE:** Specify the IP address in the xxxx:xxxx:xxxx:xxxx:xxxx:xxxx:xxxx:xxxx format for IPv6. Each section of "xxxx" is a hexadecimal variable value.

Domain Name


Specify the domain name of the Active Directory® in **Domain Name** (Realm Name). The change becomes effective after

the printer is turned off and then on again.

 **NOTE:** Specify the domain name with uppercase characters. Depending on your server, an error may occur if you specify the domain name with lowercase characters.

LDAP Server

Specify the directory server and the authentication method to execute LDAP authentication or to acquire information using LDAP, and specify the range and attributes for searching.

 **NOTE:** When using LDAPS or certificate verification, you must set the LDAP server or import an external certificate. For more information, see "[Using Digital Certificates](#)."

When Using the Dell™ Printer Configuration Web Tool

1. Launch **Dell Printer Configuration Web Tool**.
 - a. Open the web browser.
 - b. Enter the IP address of your printer in the web browser.


See "[Dell Printer Configuration Web Tool](#)."


2. Select **Print Server Settings**.
3. Click the **Security** tab.
4. Select **LDAP Server**.
 - Enter the IP address or the host name, and the port address in **IP Address / Host Name & Port**.
 - Enter the backup IP address or the host name, and the port address in **Backup IP Address / Host Name & Port**.
 - Confirm the software information for **LDAP Server**.
 - Enter a text string in **Search Directory Root**.
 - Enter the login name in **Login Name**.
 - Enter the password in **Password**. Then, re-enter the password to confirm the password that you entered.
 - Specify the time-out period for **Search Time-Out**.
5. Click the **Apply New settings** button, and then turn off the printer to apply the settings.


Server Information


IP Address / Host Name & Port

Specify the IP address or the host name, and the port address. The change becomes effective after the printer is turned off and then on again.

 **NOTICE:** Do not use the same port address as that of another port.

 **NOTE:** The port address must be 389, 636 or between 5,000 and 65,535. The default value is 389. When using LDAPS, normally specify 636.


 **NOTE:** Specify the IP address in the nnn.nnn.nnn.nnn format for IPv4. Each section of "nnn" is a variable value between 0 and 255.

 **NOTE:** Specify the IP address in the xxxx:xxxx:xxxx:xxxx:xxxx:xxxx:xxxx:xxxx format for IPv6. Each section of


"xxxx" is a hexadecimal variable value.


Backup IP Address / Host Name & Port


Specify the backup IP address or the host name, and the port address, as necessary. Specify the backup IP address or the host name, and the port address after specifying the **IP Address / Host Name & Port**. The change becomes effective after the printer is turned off and then on again.

 **NOTICE:** Do not use the same port address as that of another port.

 **NOTICE:** Set the backup server after setting the main server.

 **NOTE:** The port address must be 389, 636 or between 5,000 and 65,535. The default value is 389. When using LDAPS, normally specify 636.

 **NOTE:** Specify the IP address in the nnn.nnn.nnn.nnn format for IPv4. Each section of "nnn" is a variable value between 0 and 255.

 **NOTE:** Specify the IP address in the xxxx:xxxx:xxxx:xxxx:xxxx:xxxx:xxxx:xxxx format for IPv6. Each section of "xxxx" is a hexadecimal variable value.

LDAP Server

Displays the current software information of the LDAP server.

Operation Information

Search Directory Root

Specify a text string as the origin of the search when using LDAP communication. The change becomes effective after the printer is turned off and then on again.

For example: ou=colortrackv3,dc=win2003ad,dc=colortrack.dc=net

Login Name

Specify the login name for accessing the directory server with LDAP authentication. Specify the name of a user with the authority to update the LDAP server. The change becomes effective after the printer is turned off and then on again.

Password

Specify the password for accessing the directory server with LDAP authentication. Specify the password of a user with the authority to update the LDAP server using 1 to 127 alphanumeric characters. If the password is left blank (NULL), you cannot log in to a server. The change becomes effective after the printer is turned off and then on again.

Re-enter-Password

Enter the password again to confirm it.

Search Time-Out

Specify the amount of time the printer should wait for searching for the server. To specify a time-out period for searching, select **Wait**, and set the time period from 5 up to 120 seconds. To not specify a time-out period, select the **Wait LDAP Server Limit**. The change becomes effective after the printer is turned off and then on again.

LDAP Authentication

Specify the LDAP server authentication method.

When Using the Dell™ Printer Configuration Web Tool

1. Launch **Dell Printer Configuration Web Tool**.
 - a. Open the web browser.
 - b. Enter the IP address of your printer in the web browser.

See "[Dell Printer Configuration Web Tool](#)."

2. Select **Print Server Settings**.
3. Click the **Security** tab.
4. Select **LDAP Authentication**.
 - Confirm the authentication method.
 - When adding a text string to the UserID, specify **Enable** for **Use Added Text String**.
 - When specifying **Enable** for **Use Added Text String**, enter the additional text string in **Text String Added to User Name**.
5. Click the **Apply New settings** button, and then turn off the printer to apply the settings.

Authentication Method

Displays the current LDAP authentication method. **Direct Authentication** executes server authentication with the UserID and password entered.

Use Added Text String

Specify whether to add a text string to the UserID. The change becomes effective after the printer is turned off and then on again.

Text String Added to User Name

When using an added string for the user name, specify the text string to be added.

For example: if the user name is "abcde@myhost.example.com", normally you must enter "abcde@myhost.example.com".

However if **Use Added Text String** is set to **Enable**, and "@myhost.example.com" is specified in **Text String Added to User Name**, only the data "abcde" must be entered with the printer driver, thus simplifying the entry task.

The change becomes effective after the printer is turned off and then on again.

Setting the Printer Driver

To print using ColorTrack, set the printer driver. Once set, the settings of the printer driver are enabled until they are changed.

1. Open the Properties of the printer driver.
2. Configure the following settings from the Configuration tab.

Dell ColorTrack Mode

Specify whether to allow general users to change settings related to authentication or whether general users must use the settings configured by the Administrator.

Specify Group Name

Specify the name of the belonging group to use when authenticating. If you specify a group that does not belong, authentication fails and the data is not printed. Also, the default group is set if **Specify Group Name** is not specified.

Specify Job Owner

Select **Use Login Name** to use the user information logged into your PC, and select **Enter ID** to enter the user name yourself.

Job Owner Name

Specify the user name to use when authenticating with an external server. You can enter this only when selecting **Enter ID** for **Specify Job Owner**.

Password

Specify the user password to use when authenticating with an external server.

[Back to Contents Page](#)


Using Digital Certificates


- [Managing Certificates](#)
- [Setting the Features](#)

The authentication feature using digital certificates upgrades security when sending print data or setting data.

This chapter describes how to manage digital certificates as follows.

- "[Importing a Digital Certificate](#)"
- "[Setting a Digital Certificate](#)"
- "[Confirming the Settings of a Digital Certificate](#)"
- "[Deleting a Digital Certificate](#)"
- "[Exporting a Digital Certificate](#)"

 **NOTE:** The external certificate management described above is enabled only when the optional hard disk is installed and is set to On for Encryption.

 **NOTE:** For information about digital certificate error, see "[Understanding Printer Messages](#)" and "[Digital Certificate Problem](#)."


Managing Certificates

Preparing












Changing Encryption Setting



Some items are effective only when On is selected for Encryption. Change the encryption setting to On and set a key that is required to encrypt, if necessary.

 **NOTICE:** All files stored on the optional hard disk are cleared when changing the encryption setting.

 **NOTE:** You can enter only characters from 0 to 9, a to z, A to Z, and NULL values for encryption key.

When Using the Operator Panel

1. Press **Menu** button.
2. Press  button until `Admin Menu` is highlighted, and then press  **(Set)** button.
3. Press  button until `System settings` is highlighted, and then press  **(Set)** button.
4. Press  button until `Data Encryption` is highlighted, and then press  **(Set)** button.
5. Encryption is displayed. Press  **(Set)** button.
6. Press  button until `On` is highlighted, and then press  **(Set)** button.
7. The cursor is located at the first digit of the encryption key. Press  or  button to enter the numbers for the encryption key.

8. Press  (**Set**) button. The cursor moves to the next digit.
9. Repeat steps 7 and 8 to enter all of the digits, and then press  (**Set**) button.

When Using the Dell™ Printer Configuration Web Tool

1. Launch **Dell Printer Configuration Web Tool**.
 - a. Open the web browser.
 - b. Enter the IP address of your printer in the web browser.

See "[Dell Printer Configuration Web Tool](#)."

2. Select **Printer Settings**.
3. Click the **Printer Settings** tab.
4. Select **Secure Settings**.
5. Click **Data Encryption**.

The **Data Encryption** page is displayed.

6. Select the **Encryption** check box.
7. Enter a key that is required to encrypt.
8. Re-enter the key again to confirm it.
9. Click the **Apply New Settings** button.

Setting HTTPS Communication

Before managing certificates, set HTTPS communication with a self-signed certificate.

 **NOTE:** Set HTTPS communication after changing the Encryption setting to On.

When Using the Dell™ Printer Configuration Web Tool

1. Launch **Dell Printer Configuration Web Tool**.
 - a. Open the web browser.
 - b. Enter the IP address of your printer in the web browser.


See "[Dell Printer Configuration Web Tool](#)."


2. Select **Print Server Settings**.
3. Click the **Security** tab.
4. Select **SSL/TLS**.
5. Click the **Generate Self-Signed Certificate** button of **Machine Digital Certificate**. The **Generate Self-Signed Certificate** page is displayed.
6. Select the size of public key from the list of **Size of Public Key**.
7. Specifies the issuer of SSL self-signed certificate.
8. Click the **Generate Signed Certificate** button.

9. The **Restart Printer** button is displayed after generating the self-signed certificate, and then click the **Restart Printer** button.
10. Repeat steps 2 to 4 to display the **SSL/TLS** page after restarting the printer.
11. If the self-signed certificate is set correctly, since the **HTTP- SL/TLS Communication** column is set to **Enable** and a check box is displayed, select **Enable**.

Importing a Digital Certificate

 **NOTICE:** Before importing a certificate file, back up the certificate file.

 **NOTE:** Be sure to import the certificate with Internet Explorer.


 **NOTE:** After importing a PKCS#12 format certificate, the secret key is not exported even if you execute exporting.

1. Launch **Dell Printer Configuration Web Tool**.
 - a. Open the web browser.
 - b. Enter the IP address of your printer in the web browser.

See "[Dell Printer Configuration Web Tool](#)."

2. Select **Print Server Settings**.
3. Click the **Security** tab.
4. Select **SSL/TLS**.
5. Click the **Upload Signed Certificate** button of **Machine Digital Certificate**.

The **Upload Signed Certificate** page is displayed.

 **NOTE:** The **Upload Signed Certificate** button is displayed only when the optional hard disk is installed and is set to On for encryption.


6. Enter a password.
7. Re-enter the password again to confirm it.
8. Press the **Browse** button of **File Name**, and select the file to be imported.
9. Press the **Import** button to import the certificate.

Setting a Digital Certificate


1. Launch **Dell Printer Configuration Web Tool**.
 - a. Open the web browser.
 - b. Enter the IP address of your printer in the web browser.

See "[Dell Printer Configuration Web Tool](#)."

2. Select **Print Server Settings**.
3. Click the **Security** tab.
4. Select **SSL/TLS**.
5. Click the **Certificate Management** button to display the **Certificate Management** page.

 **NOTE:** The **Certificate Management** button is displayed only when the optional hard disk is installed and is set to On for encryption.

6. When setting a Wireless LAN (Server) certificate, select **Trusted Certificate Authorities** within **Category**. When setting a certificate of SSL Server, SSL Client, or IPsec, select **Local Device**.
7. Select the purpose of use from the **Certificate Purpose** list.
8. Click the **Display the List** button to display the **Certificate List** page.

 **NOTE:** If the list includes more than 20 certificates, press the **Next** button to display the next page.


9. Select the certificate to associate. At this time, confirm that **Validity** of the certificate selected is set to **Valid**.
10. Click the **Certificate Details** button to display the **Certificate Details** page.
11. Confirm the content, and press the **Use This Certificate** button at the upper-right corner.

Confirming the Settings of a Digital Certificate

1. Launch **Dell Printer Configuration Web Tool**.
 - a. Open the web browser.
 - b. Enter the IP address of your printer in the web browser.

See "[Dell Printer Configuration Web Tool](#)."

2. Select **Print Server Settings**.
3. Click the **Security** tab.
4. Select **SSL/TLS**.
5. Click the **Certificate Management** button to display the **Certificate Management** page.

 **NOTE:** The **Certificate Management** button is displayed only when the optional hard disk is installed and is set to On for encryption.

6. Select the category from the **Category** list.
7. Select the purpose of use from the **Certificate Purpose** list.
8. Click the **Display the List** button to display the **Certificate List** page.

 **NOTE:** If the list includes more than 20 certificates, press the **Next** button to display the next page.


9. The certificate displayed with an asterisk as "***Valid**" in the **Validity** column is the certificate associated with the use purpose and actually used.

Deleting a Digital Certificate

1. Launch **Dell Printer Configuration Web Tool**.
 - a. Open the web browser.
 - b. Enter the IP address of your printer in the web browser.

See "[Dell Printer Configuration Web Tool](#)."


2. Select **Print Server Settings**.
3. Click the **Security** tab.
4. Select **SSL/TLS**.
5. Click the **Certificate Management** button to display the **Certificate Management** page.

 **NOTE:** The **Certificate Management** button is displayed only when the optional hard disk is installed and is set to On for encryption.

6. Select the category from the **Category** list.
7. Select the purpose of use from the **Certificate Purpose** list.
8. Click the **Display the List** button to display the **Certificate List** page.


 **NOTE:** If the list includes more than 20 certificates, press the **Next** button to display the next page.

9. Select the certificate to be deleted.
10. Click the **Certificate Details** button to display the **Certificate Details** page.
11. To delete the selected certificate, press the **Delete** button at the upper- right corner.

 **NOTE:** When a certificate is deleted, the features associated with the deleted certificate are disabled. To delete a certificate being used, either set the feature to OFF in advance or switch the association to another certificate, and then switch to another operation mode if possible before deleting the certificate.

- For an SSL Server, switch to another certificate such as a self-signed certificate.
- For an SSL Client, set the LDAP-SSL/TLS setting to OFF.
- For IPsec, change the IKE setting to Pre-Shared Key or set the feature to OFF.
- For Wireless LAN, change the Wireless Security setting to other than WPA-Enterprise before deleting the certificate.


Exporting a Digital Certificate

 **NOTE:** Since the secret key is not exported, an imported PKCS#12 format certificate can be exported only as a PKCS#7 certificate.

1. Launch **Dell Printer Configuration Web Tool**.
 - a. Open the web browser.
 - b. Enter the IP address of your printer in the web browser.


See "[Dell Printer Configuration Web Tool](#)."

2. Select **Print Server Settings**.
3. Click the **Security** tab.
4. Select **SSL/TLS**.
5. Click the **Certificate Management** button to display the **Certificate Management** page.

 **NOTE:** The **Certificate Management** button is displayed only when the optional hard disk is installed and is set to On for encryption.

6. Select the category from the **Category** list.
7. Select the purpose of use from the **Certificate Purpose** list.

Click the **Display the List** button to display the **Certificate List** page.

 **NOTE:** If the list includes more than 20 certificates, press the **Next** button to display the next page.

8. Select the certificate to be exported.
 9. Click the **Certificate Details** button to display the **Certificate Details** page.
 10. To export the selected certificate, press the **Export This Certificate** button.
-

Setting the Features

Setting the Certificate in the IPsec Digital Signature Mode

1. Import the certificate to be used with IPsec. For more information, see "[Importing a Digital Certificate.](#)"
2. Set the certificate to be used with IPsec. For more information, see "[Setting a Digital Certificate.](#)"
3. Confirm whether the certificate is set correctly in IPsec. For more information, see "[Confirming the Settings of a Digital Certificate.](#)"
4. Select **Print Server Settings** from the left side of the page.
5. Click the **Security** tab.
6. Select **IPsec**.
7. Select **Enable** for **Protocol**.
8. Select **Digital Signature** from the **IKE** list.
9. Set each item, as necessary.
10. Click the **Apply New Settings** button.
11. After restarting the printer, IPsec communication using digital signatures is enabled. You can execute IPsec communication (Digital Signature Mode) between the printer and the network device (such as PC) on which the certificate and IPsec are set identically as on this device.

Setting the SSL-use Server Certificate (HTTP/IPP)


1. Import the certificate to be used with the SSL-use server. For more information, see "[Importing a Digital Certificate.](#)"
2. Set the certificate to be used with the SSL-use server. For more information, see "[Setting a Digital Certificate.](#)"
3. Confirm whether the certificate is set correctly. For more information, see "[Confirming the Settings of a Digital Certificate.](#)"


 **NOTE:** Confirm whether the newly set certificate, not the self-signed certificate, is associated.

4. After restarting the printer, the certificate set as described above is used as the server certificate when executing communication with HTTP/IPP- SSL/TLS.

Setting LDAP-SSL/TLS Communication


1. Displays the **SSL/TLS** page.
2. Select **Enable** for **LDAP-SSL/TLS Communication**.
3. After restarting the printer, **LDAP-SSL/TLS Communication** is enabled.

 **NOTE:** This setting is available only when the optional hard disk is installed and is set to On for encryption.


 **NOTE:** When executing the certificate validity of the server and the presentation of the client certificate, see "[Setting Server Certificate Verification for LDAP-SSL/TLS Communication](#)" and "[Setting Client Certificate for LDAP-SSL/TLS Communication](#)."

Setting Server Certificate Verification for LDAP-SSL/TLS Communication

1. Import the root certificate (including intermediate certificate) for the LDAP server certificate. For more information, see "[Importing a Digital Certificate](#)."

 **NOTE:** In the verification of a certificate of the connected server, to automatically search for an imported certificate and verify the path, the certificate does not need to be associated.

2. Confirm whether the root certificate is correctly imported to the LDAP server. For more information, see "[Confirming the Settings of a Digital Certificate](#)."
3. Select **SSL/TLS**.
4. Select **Enable** of **Verify Remote Server Certificate**.
5. After restarting the printer, the certificate presented by the LDAP server is verified when LDAP-SSL/TLS communication starts with the LDAP server.


 **NOTE:** This setting is available only when the optional hard disk is installed and is set to On for encryption.

 **NOTE:** This feature is enabled only when **Enable** is set for **LDAP-SSL/TLS Communication**.

 **NOTE:** When the result of verification is NG, communication is not established and an error results.

Setting Client Certificate for LDAP-SSL/TLS Communication

1. Import a certificate to be used with SSL Client. For more information, see "[Importing a Digital Certificate](#)."
2. Set a certificate to be used with SSL Client. For more information, see "[Setting a Digital Certificate](#)."
3. Confirm whether the certificate is set correctly. For more information, see "[Confirming the Settings of a Digital Certificate](#)."
4. After restarting the printer, the LDAP client certificate is presented when LDAP-SSL/TLS communication with the LDAP server starts. When the LDAP server is set to require a client certificate, the client certificate provided by the printer is verified by the LDAP server.


 **NOTE:** This setting is available only when the optional hard disk is installed and is set to On for encryption.

 **NOTE:** This feature is enabled only when **Enable** is set for **LDAP-SSL/TLS Communication**.

Setting for Wireless LAN WPA-Enterprise

1. Import the certificate to be used with Wireless LAN. For more information, see "[Importing a Digital Certificate](#)."

2. Set the certificate to be used with Wireless LAN. For more information, see "[Setting a Digital Certificate.](#)"
3. Confirm whether the certificate is set correctly. For more information, see "[Confirming the Settings of a Digital Certificate.](#)"
4. Click the **Print Server Settings** tab.
5. Select **Wireless LAN**.
6. Select either of the following items from the list of **Encryption** of **Secure Settings**.
 - WPA-Enterprise-AES/WPA2-Enterprise-AES
 - WPA-Enterprise-TKIP
7. Set **Login Name**, **EAP-Identity**, and **Password of WPA-Enterprise**.

 **NOTE:** This setting is available only when the optional hard disk is installed and is set to On for encryption.

[Back to Contents Page](#)

Understanding Fonts

- [Typefaces and Fonts](#)
- [Bitmapped and Scalable Fonts](#)
- [Resident Fonts](#)
- [Symbol Sets](#)

Typefaces and Fonts

A font is a set of characters and symbols created with a distinct design. The distinct design is called a *typeface*. The typefaces you select add personality to a document. Well-chosen typefaces make a document easier to read.

The printer has numerous resident fonts in PCL 5/PCL 6 and PostScript 3. See "[Resident Fonts](#)" for a listing of all resident fonts.

Weight and Style

Typefaces are often available in different weights and styles. These variations modify the original typeface so you can, for example, emphasize important words in text or highlight book titles. The different weights and styles are designed to complement the original typeface.

Weight refers to the thickness of the lines that form the characters. Thicker lines result in darker characters. Some words commonly used to describe the weight of a typeface are bold, medium, light, black, and heavy.

Style refers to other typeface modifications, such as tilt or character width. Italic and oblique are styles where the characters are tilted. Narrow, condensed, and extended are three common styles that modify the character widths.

Some fonts combine several weight and style modifications; for example, Helvetica BdOb. A group of several weight and style variations of a single typeface is called a *typeface family*. Most typeface families have four variations: regular, italic (oblique), bold, and bold italic (bold oblique). Some families have more variations, as the following illustration for the Helvetica typeface family shows:

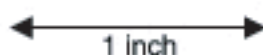
Helvetica	ABCDEFGHIJKLMNOPQRSTUVWXYZabcdefghijklmnopqrstuvwxyz1234567890
Helvetica Oblique	ABCDEFGHIJKLMNOPQRSTUVWXYZabcdefghijklmnopqrstuvwxyz1234567890
Helvetica Bold	ABCDEFGHIJKLMNOPQRSTUVWXYZabcdefghijklmnopqrstuvwxyz1234567890
Helvetica Bold Oblique	ABCDEFGHIJKLMNOPQRSTUVWXYZabcdefghijklmnopqrstuvwxyz1234567890
Helvetica Narrow	ABCDEFGHIJKLMNOPQRSTUVWXYZabcdefghijklmnopqrstuvwxyz1234567890
Helvetica Narrow Oblique	ABCDEFGHIJKLMNOPQRSTUVWXYZabcdefghijklmnopqrstuvwxyz1234567890
Helvetica Narrow Bold	ABCDEFGHIJKLMNOPQRSTUVWXYZabcdefghijklmnopqrstuvwxyz1234567890
Helvetica Narrow Bold Oblique	ABCDEFGHIJKLMNOPQRSTUVWXYZabcdefghijklmnopqrstuvwxyz1234567890

Pitch and Point Size

The size of a font is specified as either a pitch or point size, depending on whether the font is fixed space or proportional.

In *fixed space* fonts, each character has the same width. *Pitch* is used to specify the size of fixed space fonts. It is a measure of the number of characters that will print in one horizontal inch of type. For example, all 10-pitch fonts print 10 characters per inch (cpi) and all 12-pitch fonts print 12 cpi:

Courier	10 Pitch	1234567890
Courier-Bold	10 Pitch	1234567890
Courier	12 Pitch	123456789012
Courier-Bold	12 Pitch	123456789012



In *proportional* (or *typographic*) fonts, every character can have a different width. Since proportional fonts have characters with different widths, the font size is specified in point size, not pitch. *Point size* refers to the height of the characters in the font. A *point* is defined as 1/72 inch. The characters in a font printed at 24 point will be twice as large as the characters in the same font printed at 12 point.

The following illustration shows samples of a font printed in different point sizes:

48 point 36 point

24 point 18 point 12 point 10 point

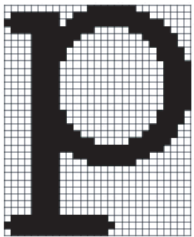
The point size of a font is defined as the distance from the top of the tallest character in the font to the bottom of the lowest character in the font. Due to the definition of point size, different fonts printed at the same point size may appear quite different in size. This is because there are other font parameters that affect how the font looks. However, the point size of a font is an excellent specification of the relative size of a font. The following examples illustrate two very different proportional fonts at 14 point:

ITC Avant Garde
abcdefghijklmnopABCDEF GH
ITC Zapf Chancery
abcdefghijklmnopABCDEF GH

Bitmapped and Scalable Fonts

The printer uses both bitmapped and scalable fonts.

Bitmapped fonts are stored in print memory as predefined patterns of bits that represent a typeface at a specific size, style, and resolution. The following illustration shows an example of a character from a bitmapped font.



Bitmapped fonts are available in different type styles and point sizes as downloadable fonts.

Scalable fonts (also called *outline* fonts) are stored as computer programs that define the outlines of the characters in the font. Each time you print characters from a scalable font, the printer creates a bitmap of the characters at the point size you choose and saves it temporarily in print memory.



P P P P

These temporary bitmapped fonts are deleted when you turn off or reset the printer. Scalable fonts provide the flexibility of printing in many different point sizes.

Your printer uses different scalable font formats for downloading fonts to the printer. PCL 5/PCL 6 uses Intellifont and TrueType scalable fonts. PostScript 3 uses Type 1 and TrueType scalable fonts. There are thousands of different scalable fonts available in these different font formats from numerous font suppliers.

If you plan to use many downloadable bitmapped or scalable fonts or if you plan to use many different sizes of scalable fonts, you may need to purchase additional memory for your printer.

Resident Fonts

Your printer is equipped with resident fonts stored permanently in print memory. Different fonts are available in PCL 5/PCL 6 and PostScript 3. Some of the most popular typefaces, like Courier and TimesNew (PCL 5/PCL 6)/Times New Roman (PostScript 3), are available for all printer languages.

The following table lists all the fonts resident in your printer. See "[Printing a Font Sample List](#)" for instructions on how to print samples of the fonts. You can select the resident fonts from your software program. You can also select the fonts from the operator panel if you are using PCL 5.

Resident bitmapped and scalable fonts	
PCL 5/PCL 6	PostScript 3
CG Times	Albertus
CG Times It	Albertus Italic
CG Times Bd	Albertus Light
CG Times BdIt	
	Antique Olive Roman
Univers Md	Antique Olive Italic
Univers MdIt	Antique Olive Bold
Univers Bd	Antique Olive Compact
Univers BdIt	Apple Chancery
Univers MdCd	Arial
Univers MdCdIt	Arial Italic
Univers BdCd	Arial Bold
Univers BdCdIt	Arial Bold Italic
	ITC Avant Garde Gothic Book
AntiqueOlv	ITC Avant Garde Gothic Book Oblique
AntiqueOlv It	ITC Avant Garde Gothic Demi
AntiqueOlv Bd	ITC AvantGarde Gothic Demi Oblique
	Bodoni Roman
CG Omega	Bodoni Italic
CG Omega It	Bodoni Bold
CG Omega Bd	Bodoni Bold Italic
CG Omega BdIt	Bodoni Poster
	Bodoni Poster Compressed
Garamond Antiqua	ITC Bookman Light
Garamond Krsv	ITC Bookman Light Italic
Garamond Hlb	ITC Bookman Demi
Garamond KrsvHlb	ITC Bookman Demi Italic
	Carta
Courier	Chicago
Courier It	Clarendon Roman
Courier Bd	Clarendon Bold

Courier BdlT	Clarendon Light
	Cooper Black
LetterGothic	Cooper Black Italic
LetterGothic It	Cooper Gothic 32BC
LetterGothic Bd	Cooper Gothic 33BC
	Coronet
Albertus Md	Courier
Albertus XBd	Courier Oblique
	Courier Bold
Clarendon Cd	Courier Bold Oblique
	Eurostile Medium
Coronet	Eurostile Bold
	Eurostile Extended No. 2
Marigold	Eurostile Bold Extended No. 2
	Geneva
Arial	Gill Sans
Arial It	Gill Sans Italic
Arial Bd	Gill Sans Bold
Arial BdlT	Gill Sans Bold Italic
	Gill Sans Light
TimesNew	Gill Sans Light Italic
TimesNew It	Gill Sans Extra Bold
TimesNew Bd	Gill Sans Condensed
TimesNew BdlT	Gill Sans Condensed Bold
	Goudy Oldstyle
Symbol	Goudy Oldstyle Italic
	Goudy Bold
Wingdings	Goudy Bold Italic
	Goudy Extra Bold
Line Printer	Helvetica
	Helvetica Oblique
Times Roman	Helvetica Bold
Times It	Helvetica Bold Oblique
Times Bd	Helvetica Narrow
Times BdlT	Helvetica Narrow Oblique
	Helvetica Narrow Bold
Helvetica	Helvetica Narrow Bold Oblique
Helvetica Ob	Helvetica Condensed
Helvetica Bd	Helvetica Condensed Oblique
Helvetica BdOb	Helvetica Condensed Bold
	Helvetica Condensed Bold Oblique
CourierPS	Hoefler Text

CourierPS Ob	Hoefler Text Italic
CourierPS Bd	Hoefler Text Black
CourierPS BdOb	Hoefler Text Black Italic
	Hoefler Ornaments
SymbolPS	Joanna
	Joanna Italic
Palatino Roman	Joanna Bold
Palatino It	Joanna Bold Italic
Palatino Bd	Letter Gothic
Palatino BdIt	Letter Gothic Slanted
	Letter Gothic Bold
ITCBookman Lt	Letter Gothic Bold Slanted
ITCBookman LtIt	ITC Lubalin Graph Book
ITCBookmanDm	ITC Lubalin Graph Book Oblique
ITCBookmanDm It	ITC Lubalin Graph Demi
	ITC Lubalin Graph Demi Oblique
HelveticaNr	Marigold
HelveticaNr Ob	Monaco
HelveticaNr Bd	ITC Mona Lisa Recut
HelveticaNr BdOb	New Century Schoolbook Roman
	New Century Schoolbook Italic
N C Schbk Roman	New Century Schoolbook Bold
N C Schbk It	New Century Schoolbook Bold Italic
N C Schbk Bd	NewYork
N C Schbk BdIt	Optima Roman
	Optima Italic
ITC A G Go Bk	Optima Bold
ITC A G Go BkOb	Optima Bold Italic
ITC A G Go Dm	Oxford
ITC A G Go DmOb	Palatino Roman
	Palatino Italic
ZapfC Mdit	Palatino Bold
	Palatino Bold Italic
ZapfDingbats	Stempel Garamond Roman
	Stempel Garamond Italic
	Stempel Garamond Bold
	Stempel Garamond Bold Italic
	Symbol
	Tekton Regular
	Times Roman
	Times Italic
	Times Bold

	Times Bold Italic
	Times New Roman
	Times New Roman Italic
	Times New Roman Bold
	Times New Roman Bold Italic
	Univers 45 Light
	Univers 45 Light Oblique
	Univers 55
	Univers 55 Oblique
	Univers 65 Bold
	Univers 65 Bold Oblique
	Univers 57 Condensed
	Univers 57 Condensed Oblique
	Univers 67 Condensed Bold
	Univers 67 Condensed Bold Oblique
	Univers 53 Extended
	Univers 53 Extended Oblique
	Univers 63 Extended Bold
	Univers 63 Extended Bold Oblique
	Wingdings
	ITC Zapf Chancery Medium Italic

Symbol Sets

A symbol set is the collection of alphabetic and numeric characters, punctuation, and special characters available in the font you select. Symbol sets support the requirements for different languages or specific applications, such as math symbols used for scientific text.

In PCL 5/PCL 6, a symbol set also defines which character will print for each key on the keyboard (or more specifically, for each *code point*). Some applications require different characters at some code points. To support multiple applications and languages, your printer has 36 symbol sets for the resident PCL 5/PCL 6 fonts.

Symbol Sets for PCL 5/PCL 6

Not all font names support all of the symbol sets listed.

Roman 8 (Default)	ISO 8859-1 Latin 1	ISO 8859-2 Latin 2
ISO 8859-9 Latin 5	ISO 8859-10 Latin 6	PC-8
PC-8 DN	PC-775 Baltic	PC-850 Multilingual
PC-852 Latin 2	PC-1004 OS/2	PC Turkish
Windows 3.1 Latin 1	Windows 3.1 Latin 2	Windows 3.1 Latin 5
DeskTop	PS Text	MC Text
Microsoft Publishing	Math 8	PS Math
Pi Font	Legal	ISO 4 United Kingdom
ISO 6 ASCII	ISO 11 Swedish:names	ISO 15 Italian

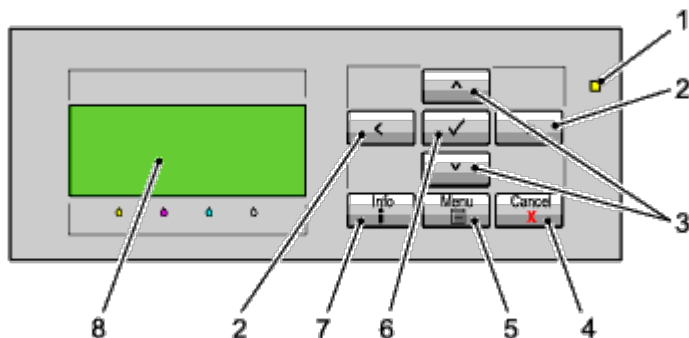
ISO 17 Spanish	ISO 21 German	ISO 60 Norwegian v1
ISO 69 French	Windows 3.0 Latin 1	Windows Baltic
Symbol	Wingdings	ITC ZapfDingbats MS

[Back to Contents Page](#)

Understanding Printer Messages

The printer operator panel displays messages describing the current state of the printer and indicates possible printer problems you must resolve. This topic provides a list of all printer messages, explains what they mean, and tells you how to clear the messages.

NOTICE: When an error code is displayed, the print data remaining on the printer and the information accumulated in the memory of the printer are not secured.



1	Ready/Error indicator* ¹	5	Menu button
2	< > buttons	6	✓ (Set) button
3	∨ ^ buttons	7	Information button* ²
4	Cancel button	8	LCD panel

*¹ Lights green when the printer is ready or sleeping and blinks when data is being received. Lights yellow when an error occurs and blinks when an unrecoverable print error occurs.

*² When the **I** mark is displayed at the beginning of a message, pressing the Information button will show more detailed information.

Message (The first and second lines are displayed together. The third and fourth lines blink every second.)	What this message means	What you can do
<i>NNN-NNN</i> Restart Printer Contact Support If Message Returns	Error <i>NNN-NNN</i> relates to printer problems.	Turn off the printer, and then on. If this does not solve the problem, contact Dell. See " Contacting Dell. "
<i>NNN-NNN</i> Restart Printer Reseat <i>XXX</i> Contact Support	<i>XXX</i> is not fully inserted. Error <i>NNN-NNN</i> relates to printer problems.	Confirm that the unit is securely inserted. If the problem is not solved, contact Dell. See " Contacting Dell. "
I <i>XXX</i> Error <i>NNN-NNN</i> Insert <i>XXX</i> .	<i>XXX</i> is either missing or not fully inserted in the printer. Error <i>NNN-NNN</i> relates to printer problems.	Confirm that the unit is securely inserted.

<p>❗ Life Over</p> <p><i>NNN-NNN</i></p> <p>Replace Now <i>XXX</i></p>	<p><i>XXX has reached its end of life.</i></p> <p>Error <i>NNN-NNN</i> relates to printer problems.</p> <p><i>XXX indicates a consumable.</i></p>	<p>Replace <i>XXX</i>.</p> <p>Order a new consumable at the website (www.dell.com/supplies).</p> <p>See "Maintaining Your Printer."</p>
<p>❗ CRUM ID</p> <p><i>NNN-NNN</i></p> <p>Reseat <i>XXX</i></p>	<p>An unsupported consumable is installed.</p> <p>Error <i>NNN-NNN</i> relates to printer problems.</p> <p><i>XXX indicates a consumable.</i></p>	<p>Replace the consumable with the supported one.</p> <p>Order a new consumable at the website (www.dell.com/supplies).</p> <p>See "Maintaining Your Printer."</p>
<p>❗ CRUM DATA</p> <p><i>NNN-NNN</i></p> <p>Reseat <i>XXX</i></p>	<p>An unsupported consumable is installed.</p> <p>Error <i>NNN-NNN</i> relates to printer problems.</p> <p><i>XXX indicates a consumable.</i></p>	<p>Replace the consumable with the supported one.</p> <p>Order a new consumable at the website (www.dell.com/supplies).</p> <p>See "Maintaining Your Printer."</p>
<p>Cover Open</p> <p><i>NNN-NNN</i></p> <p>Close <i>XXX</i></p>	<p>A cover is open.</p> <p>Error <i>NNN-NNN</i> relates to printer problems.</p> <p><i>XXX indicates a cover.</i></p>	<p>Close the cover.</p>
<p>Paper Jam</p> <p><i>NNN-NNN</i></p> <p><i>XXXXXX</i></p>	<p>The printer detects a paper jam.</p> <p>Error <i>NNN-NNN</i> relates to printer problems.</p> <p><i>XXXXXX</i> indicates an instruction to clear a paper jam.</p>	<p>Check and clear the paper path.</p> <p>See "Clearing Jams."</p>
<p><i>CRUM ID</i></p> <p><i>009-NNN</i></p> <p>Reseat <i>XXX</i></p>	<p>An unsupported unit is installed.</p> <p><i>XXX</i> indicates a unit.</p>	<p>Remove the unsupported unit and install a supported one.</p> <p>See "Maintaining Your Printer."</p>
<p>010-360</p> <p>Restart Printer</p> <p>Reseat Fuser</p> <p>Contact Support</p>	<p>The outer levers on both sides of the fuser unit are not securely locked.</p>	<p>Confirm that the outer levers on both sides of the fuser unit are securely locked. If this does not solve the problem, contact Dell.</p> <p>See "Contacting Dell."</p>
<p>Ready to Print</p> <p>010-420</p> <p>Fuser</p> <p>↕</p> <p>Ready to Print prepare</p>	<p>The fuser needs to be replaced soon.</p>	<p>Prepare a new fuser.</p> <p>Order a new consumable at the website (www.dell.com/supplies).</p> <p>See "Replacing the Fuser."</p>
<p>Check Cartridge</p> <p>010-421</p> <p>Replace Fuser</p> <p>↕</p> <p>Check Cartridge</p>	<p>The fuser needs to be replaced.</p>	<p>Replace the fuser.</p> <p>Order a new consumable at the website (www.dell.com/supplies).</p> <p>See "Replacing the Fuser."</p>

Contact Support		
Env. Mode Error 010-910 Open Right Hand Cover and make a Envelope Lever the normal position. Close Right Hand Cover	The printer is in the envelope mode when you print on plain paper.	Open the right hand cover, and then lift up the envelope lever to clear the envelope mode. See " Loading an Envelope in the MPF. "
016-XXX Certificate Fail Init Certificate Are You Sure?	Certification error has occurred.	Inquire of your system administrator to re-configure the security settings. Contact Dell if this message appears repeatedly. See " Contacting Dell. "
016-316 Restart Printer Reseat Memory Contact Support	The printer detected an unsupported memory module in the memory slot.	Remove the unsupported memory module. If this does not solve the problem, contact Dell. See " Contacting Dell. "
016-318 Restart Printer Reseat Memory Contact Support	The memory module is not fully inserted in the slot.	Remove the memory module from the slot, and then reinsert it. If this does not solve the problem, contact Dell. See " Contacting Dell. "
016-338 Restart Printer Reseat Wireless Contact Support	An error occurred in the wireless adapter.	Turn the printer off and on. Ensure the following: The wireless adapter is securely inserted in the slot on the control board. Unauthorized USB devices are not used. If this does not solve the problem, contact Dell. See " Contacting Dell. "
Invalid ID 016-383 Data Violation Press ✓	An error occurred because an invalid firmware is installed.	Press ✓ (Set) button. Contact Dell if this message appears repeatedly. See " Contacting Dell. "
Range Chk Error 016-384 Data Violation Press ✓	In downloading the firmware, the address of the writing destination is inaccurate.	Press ✓ (Set) button. Contact Dell if this message appears repeatedly. See " Contacting Dell. "
Header Error 016-385 Data Violation Press ✓	In downloading the firmware, the header information of a download file is inaccurate.	Press ✓ (Set) button. Contact Dell if this message appears repeatedly. See " Contacting Dell. "
Check Sum Error 016-386 Data Violation	In downloading the firmware, the checksum of a download file is inaccurate.	Press ✓ (Set) button. Contact Dell if this message appears repeatedly.



Press ✓		See " Contacting Dell. "
Format Error 016-387 Data Violation Press ✓	In downloading the firmware, the format of a download file is inaccurate.	Press ✓ (Set) button. Contact Dell if this message appears repeatedly. See " Contacting Dell. "
Protection Error 016-391 Data Violation Press ✓	A firmware download was performed while it was prohibited.	Press ✓ (Set) button. Contact Dell if this message appears repeatedly. See " Contacting Dell. "
Erase Flash Err. 016-392 Contact Support If Message Returns	A ROM erasing error occurred while downloading the firmware.	Contact Dell if this message appears repeatedly. See " Contacting Dell. "
Write Flash Err. 016-393 Contact Support If Message Returns	A ROM writing error occurred while downloading the firmware.	Contact Dell if this message appears repeatedly. See " Contacting Dell. "
Verify Error 016-394 Contact Support If Message Returns	A verification error occurred while downloading the firmware.	Contact Dell if this message appears repeatedly. See " Contacting Dell. "
016-522 Restart Printer Certificate Fail Contact Administer	An SSL authentication error of the LDAP server has occurred. The SSL client certificate cannot be acquired.	The SSL client certificate is required from the LDAP server. Ask your system administrator to set the SSL client certificate on the printer.
016-523 Restart Printer Certificate Fail Contact Administer	An SSL authentication error of the LDAP server has occurred. The server certificate data is invalid.	The printer cannot trust the SSL certificate of the LDAP server. Ask your system administrator to register the root certificate of the SSL certificate of the LDAP server on the printer.
016-524 Restart Printer Certificate Fail Contact Administer	An SSL authentication error of the LDAP server has occurred. The server certificate is invalid or the address of the LDAP server set on the printer does not match the one described in the SSL certificate.	Ask your system administrator to use a valid SSL certificate of the LDAP server. Ensure that the address of the LDAP server set on the printer and the address described in the SSL certificate of the LDAP server match. This error can be cleared by disabling LDAP-SSL/TLS Communication under SSL/TLS in the printer menu. Take note that the validity of the connected LDAP server will not be guaranteed in this case.
016-527 Restart Printer Certificate Fail	An SSL authentication error of the Kerberos server or the LDAP server has occurred.	Ask your system administrator to confirm whether the Kerberos server or the LDAP server is set correctly on the printer.

Contact Administer		If this does not solve the problem, contact Dell.
Job Fail 016-531 Sign On Error Press ✓	An authentication error of the LDAP server or of the Kerberos server has occurred.	Press ✓ (Set) button. Ask your system administrator to confirm whether the Kerberos server and the LDAP server are set correctly on the printer. If this does not solve the problem, contact Dell. See " Contacting Dell. "
Job Fail 016-532 Wrong Attribute Press ✓	The user information of the LDAP server is invalid.	Press ✓ (Set) button. Ask your system administrator to confirm whether the user information is set correctly on the LDAP server. Also confirm whether LDAP is set correctly on the printer.
Job Fail 016-533 Clock Skew Err. Press ✓	An authentication protocol error of the Kerberos server has occurred. The time difference between the clocks of the printer and the Kerberos server exceeds the limit value of the clock skew of the Kerberos server.	Press ✓ (Set) button. Confirm whether the clock of the printer and the clock of the Kerberos server are set correctly and identically. Also confirm whether the summer time and the time zone are set identically on the printer and the Kerberos server. See " Clock Settings. " See " Date & Time. "
Job Fail 016-534 Wrong Server Press ✓	The Kerberos server setting information or the LDAP server setting information is invalid.	Press ✓ (Set) button. Ask your system administrator to confirm whether the Kerberos server and the LDAP server are set correctly on the printer.
Job Fail 016-535 Admin Error Press ✓	The account setting values for the LDAP administrator are invalid.	Press ✓ (Set) button. Ask your system administrator to confirm whether the account values for the administrator of the LDAP server are set correctly on the printer.
Job Fail 016-536 Access Error Press ✓	An internal error of the LDAP server or of the Kerberos server has occurred. Setting a secondary server without setting a primary server may result in this error.	Press ✓ (Set) button. Ask your system administrator to confirm whether the LDAP server or the Kerberos server is set correctly on the printer.
016-541 Restart Printer Certificate Fail Contact Administer	A wireless certificate cannot be correctly referenced while using the Wireless WPA Enterprise or WPA2-Enterprise.	Ask your system administrator to connect the printer with a wired network, initialize the Wireless settings, import the Wireless certificate, and set WPA-Enterprise or WPA2 Enterprise again.
016-542 Restart Printer Certificate Fail Contact Administer	A server certificate error has occurred when acquiring the certificate with the operation of WPA-Enterprise or WPA2-Enterprise. This is a problem in the server certificate, such as the validity period has expired for the server certificate being used with the Radius server.	Ask your system administrator to confirm the server certificate being used with the Radius server.


016-543 Restart Printer Certificate Fail Contact Administer	A certificate destruction error has occurred while using the Wireless WPA Enterprise or WPA2-Enterprise.	Ask your system administrator to connect the printer with a wired network, initialize the Wireless settings, import the Wireless certificate, and set WPA-Enterprise or WPA2-Enterprise again.
Out of Memory 016-700 Job too Large Press ✓	The printer memory is full and cannot continue processing the current print job.	Press ✓ (Set) button, then the Cancel button to cancel the current print job. Delete unnecessary stored jobs. See " Deleting Stored Jobs. " To avoid this error in the future, do the following: Delete unnecessary fonts, macros, and other data in printer memory. Install additional printer memory. See " Installing a Memory Module. "
PDL Request 016-720 Data Violation Press ✓	An error relating to the PDL emulation problems has occurred.	Press ✓ (Set) button, then the Cancel button to cancel the current print job.
Job Fail 016-756 Prohibited Time Press ✓	Printing was attempted during the prohibited time zone.	Press ✓ (Set) button. Inquire of your system administrator for the permitted time zone.
Invalid User 016-757 Account Denied Press ✓	The setting values of the user account or of the group account are invalid. Whether the user is a member user or the group is a member group could not be confirmed.	Press ✓ (Set) button. Confirm whether the user account or the group account is set correctly with the printer driver when printing. See " Print Server Settings. " If the account is set correctly with the printer driver, ask your system administrator to confirm the setting on the LDAP server (external mode) or the Print Volume (internal mode).
Disabled Func 016-758 Denied Col Print Press ✓	The use of the print function or the use of color printing is not allowed for the user.	Press ✓ (Set) button. Ask your system administrator to change the settings to allow the use of the print function or the use of color printing.
Reached Limit 016-759 Over your limits Press ✓	The total number of printed pages has reached the number allowed to be printed.	Press ✓ (Set) button. Ask your system administrator to change the maximum number of pages allowed to be printed.
Invalid Job 016-799 Data Violation	The configuration of the printer set on the printer driver does not match the configuration of your printer.	Press ✓ (Set) button, then the Cancel button to cancel the current print job. Ensure that the printer configuration on the printer driver match the configuration of your

Press ✓		printer.
Wireless Error 016-920 Timeout Error Press ✓	WPS failed to connect. A timeout occurred during connection with the wireless LAN access point (Registrar).	Press ✓ (Set) button. Execute the operation again according to the operation procedure.
Download Error 016-921 Timeout Error Press ✓	WPS failed to connect. A download error has occurred during connection with the wireless LAN access point (Registrar).	Press ✓ (Set) button. Execute the operation again according to the operation procedure.
Wireless Error 016-922 Session Overlap Error Press ✓	Multiple wireless LAN access points (Registrar) are being operated with WPS-PBC.	Press ✓ (Set) button. Set only wireless LAN access point (Registrar) to be operated with WPS-PBC, and execute the operation again according to the operation procedure.
Disk Full 016-980 Job too Large Press ✓	RAM disk memory or hard disk is full and cannot continue processing the current print job.	Press ✓ (Set) button, then the Cancel button to cancel the current print job. Delete unnecessary stored jobs. See " Deleting Stored Jobs. " To avoid this error in the future, do the following: Reduce the number of print pages by splitting the print data. Increase free memory space by deleting unnecessary data in the RAM disk or hard disk. See " Installing a Hard Disk. "
Collate Full 016-981 Job too Large Press ✓	The specified print job exceeded the printer memory capacity.	Press ✓ (Set) button, then the Cancel button. Re-try printing with a job of less volume.
Tray Detached 024-9XX Push in Tray <i>N</i>	A paper tray is detached. <i>N</i> indicates the number of the tray.	Confirm if the indicated tray is securely installed.
No Suitable Paper 024-9XX Load Tray <i>N</i> XXXXXXXX YYYYYYYY	One of the following has occurred. Tray <i>N</i> has run out of paper. The size or type of paper in the Tray <i>N</i> does not match the specified one. <i>N</i> indicates the number of the tray. XXXXXXXX indicates a paper size. YYYYYYYY indicates a paper type.	Load the specified paper in Tray <i>N</i> . See " Loading Print Media in Standard and Optional Trays. "
	The size of the paper loaded in a tray does not match the size specified on the printer.	Load paper of the specified size. See " Loading Print Media in Standard and Optional Trays. "

<p><i>Paper Size Mismatch</i></p> <p>024-91X</p> <p><i>Load Tray N</i></p> <p>XXXXXXXX YYYYYYYY</p>	<p>Error <i>NNN-NNN</i> relates to printer problems.</p> <p><i>N</i> indicates the number of the tray.</p> <p>XXXXXXXX indicates a paper size.</p> <p>YYYYYYY indicates a paper type.</p>	<p>Change the paper size settings according to the size of the paper you load.</p> <p>See "Tray Settings" on "Dell Printer Configuration Web Tool."</p> <p>See "Tray Settings" on "Understanding the Printer Menu."</p>
<p><i>Paper Size Mismatch</i></p> <p>024-914</p> <p><i>Load Tray MPF</i></p> <p>XXXXXXXX YYYYYYYY</p>	<p>The size of the paper loaded in the MPF does not match the size specified on the printer.</p> <p>Error <i>NNN-NNN</i> relates to printer problems.</p> <p>XXXXXXXX indicates a paper size.</p> <p>YYYYYYY indicates a paper type.</p>	<p>Load paper of the specified size.</p> <p>See "Loading Print Media in Standard and Optional Trays."</p> <p>Change the paper size settings according to the size of the paper you load.</p> <p>See "Tray Settings" on "Dell Printer Configuration Web Tool."</p> <p>See "Tray Settings" on "Understanding the Printer Menu."</p>
<p>Stacker Full</p> <p>024-916</p> <p>Remove Paper</p> <p>Stacker Tray</p>	<p>Prints have reached the capacity of the stacker tray of the output expander.</p>	<p>Remove the prints from the stacker tray.</p>
<p>Over Count</p> <p>024-917</p> <p>Remove Paper</p> <p>Stacker Tray</p>	<p>Stapled prints have reached the capacity of the stacker tray of the output expander.</p>	<p>Remove the prints from the stacker tray.</p>
<p>Output Tray Full</p> <p>024-920</p> <p>Remove Paper</p> <p>Center Output Tray</p>	<p>Prints have reached the capacity of the center output tray.</p>	<p>Remove the prints from the center output tray.</p>
<p>No Suitable Paper</p> <p>024-969</p> <p>Load MPF</p> <p>XXXXXXXX</p> <p>YYYYYYY</p>	<p>One of the following has occurred.</p> <p>MPF has run out of paper.</p> <p>The size or type of paper in the MPF does not match the specified one.</p> <p>XXXXXXXX indicates a paper size.</p> <p>YYYYYYY indicates a paper type.</p>	<p>Load the specified paper in the MPF.</p> <p>See "Loading Print Media."</p>
<p>Staple Error</p> <p>024-976</p> <p>1. Open Output Expander Front Door and remove paper.</p> <p>2. Close Output Expander Front Door.</p>	<p>Paper jam has occurred in the output expander.</p>	<p>Remove the jammed paper following the steps displayed in the operator panel.</p> <p>See "Clearing Jams."</p>
<p>Staple Fail</p> <p>024-977</p> <p>Replace Now Stapler</p>	<p>The stapler cartridge of the output</p>	<p>Replace the stapler cartridge.</p> <p>Order a new consumable at the website</p>

Cartridge. Continue without Staple? Are you Sure?	expander needs to be replaced now.	(www.dell.com/supplies). See " Replacing the Stapler Cartridge. "
Empty Staple 024-979 Replace Now Stapler Cartridge. Continue without Staple? Are You Sure?	The stapler cartridge of the output expander is empty.	Replace the stapler cartridge. Order a new consumable at the website (www.dell.com/supplies). See " Replacing the Stapler Cartridge. "
Stacker Full 024-980 Remove Paper Stacker Tray	The stacker tray of the output expander is full of prints.	Remove the prints from the stacker tray.
Finisher Error 024-982 Remove Paper Stacker Tray	Some error has occurred in the output expander.	Remove the prints from the stacker tray.
Over Heat 042-700 Restart Printer Contact Support If Message Returns	Since it is abnormally hot inside the printer, printing is paused.	Wait for a while with the printer on until the error disappears.
050-152 1.Open Output Expander Front Door. 2.Please turn a knob if necessary, and remove paper. 3.Close Output Expander Front Door.	Paper jam has occurred in the output expander.	Remove the jammed paper following the steps displayed in the operator panel. See " Clearing Jams. "
050-153 1.Open Output Expander Front Door and remove paper. 2.Close Output Expander Front Door.	Paper jam has occurred in the output expander.	Remove the jammed paper following the steps displayed in the operator panel. See " Clearing Jams. "
 Cartridge Error 091-NNN Tape Staying XXX Drum Ctrrdg	Some pieces of ribbon are remaining in the drum cartridge. <i>XXX indicates a color of the drum cartridge.</i>	Remove the remaining ribbon from the drum cartridge.
Ready to Print 091-400 Waste Toner Box 	The waste toner box needs to be replaced soon.	Replace the waste toner box soon. Order a new consumable at the website (www.dell.com/supplies).

Ready to Print Is close to life		See " Replacing the Waste Toner Box. "
Ready to Print 091-4XX <i>N</i> Drum Cartrdg ↑↓ Is close to life	A drum cartridge needs to be replaced soon. <i>N</i> indicates the color of the drum cartridge.	Replace the drum cartridge of the indicated color soon. Order a new consumable at the website (www.dell.com/supplies). See " Replacing the Drum Cartridges. "
Ready to Print 091-41X <i>N</i> Drum Cartrdg ↑↓ prepare	A drum cartridge needs to be replaced soon. <i>N</i> indicates the color of the drum cartridge.	Prepare a new drum cartridge of the indicated color. Order a new consumable at the website (www.dell.com/supplies). See " Replacing the Drum Cartridges. "
 Cartridge Error 091-92 <i>N</i> Insert <i>XXX</i> Drum Cartrdg	The <i>X</i> drum cartridge is either missing or not fully inserted into the printer. <i>X</i> indicates the color of the toner cartridge.	Insert the <i>X</i> drum cartridge into the correct color slot. If the message remains, set the <i>X</i> drum cartridge again and push it in firmly. Make sure that the <i>X</i> drum cartridge has been fully installed. See " Replacing the Drum Cartridges. "
092-651 CTD Sensor Dirty Clean CTD Sensor	The CTD sensor is dirty.	Clean the CTD sensor. See " Cleaning the Conductivity Temperature Depth (CTD) Sensor. "
Ready to Print 093-42X <i>N</i> Toner Cartrdg ↑↓ Is close to life	A toner cartridge needs to be replaced soon. <i>N</i> indicates the color of the toner cartridge.	Replace the toner cartridge of the indicated color soon. Order a new consumable at the website (www.dell.com/supplies). See " Replacing the Toner Cartridges. "
Ready to Print 094-419 Belt Unit ↑↓ prepare	The belt unit needs to be replaced soon.	Prepare a new belt unit. Order a new consumable at the website (www.dell.com/supplies). See " Replacing the Belt Unit. "
Ready to Print 094-422 Belt Unit ↑↓ Is close to life	The belt unit needs to be replaced soon.	Replace the belt unit soon. Order a new consumable at the website (www.dell.com/supplies). See " Replacing the Belt Unit. "
 Belt Error 094-910 Insert Belt Unit	The belt unit is either missing or not fully installed in the printer.	Follow the instructions in the operator panel and make sure that the belt unit has been fully installed. See " Replacing the Belt Unit. "
<i>Belt Unit</i>		Remove the belt unit and install a new one.

094-911 Replace Belt Contact Support	The belt unit needs to be replaced now.	Order a new belt unit at the website (www.dell.com/supplies). See " Replacing the Belt Unit. "
 Trans. Error 094-913 Insert Transfer Roller	The transfer roller is either missing or not fully installed in the printer.	Follow the instructions in the operator panel and make sure that the transfer roller has been fully installed. See " Replacing the Transfer Roller. "
Ready to Print 142-700 Slow Speed Printing	Since it is abnormally hot or cold inside the printer, the print speed decreases.	You can use the printer, however the print quality is inferior. If you wait for a short while, the temperature within the printer becomes normal.
Ready to Print 193-700 Non-DELL Toner Installed	The printer is in the custom toner cartridge mode.	Though some of the toner cartridges have reached the end of their lives, you can continue printing.

[Back to Contents Page](#)

Printing With Web Services on Devices (WSD)

- [Adding Roles of Print Services](#)
- [Printer Setup](#)

This section provides information for network printing with WSD, the new Windows Vista[®], Windows Server[®] 2008, Windows Server 2008 R2, and Windows[®] 7 protocol of Microsoft[®].

Adding Roles of Print Services

When you use Windows Server 2008 or Windows Server 2008 R2, you need to add the roles of print services to the Windows Server 2008 or Windows Server 2008 R2 client.

For Windows Server 2008:

1. Click **Start[®] Administrative Tools[®] Server Manager**.
2. Select **Add Roles** from the **Action** menu.
3. Check the **Print Services** check box on the **Server Roles** window in the **Add Roles Wizard**, and then click **Next**.
4. Check the **Print Server** check box, and then click **Next**.
5. Click **Install**.

For Windows Server 2008 R2:

1. Click **Start[®] Administrative Tools[®] Server Manager**.
 2. Select **Add Roles** from the **Action** menu.
 3. Check the **Print and Document Services** check box on the **Server Roles** window in the **Add Roles Wizard**, and then click **Next**.
 4. Click **Next**.
 5. Check the **Print Server** check box, and then click **Next**.
 6. Click **Install**.
-


Printer Setup


You can install your new printer on the network using the *Drivers and Utilities* CD that shipped with your printer, or using Microsoft's Windows **Add Printer** wizard.

Installing a Printer Driver Using the Add Printer Wizard

1. Click **Start[®] Control Panel[®] Hardware and Sound[®] Printers (Start[®] Devices and Printers for Windows Server 2008 R2 and Windows 7)**.
2. Click **Add a printer** to launch the **Add Printer** wizard.
3. Select **Add a network, wireless or Bluetooth printer**.

4. In the list of available printers, select the one you want to use, and then click **Next**.

 **NOTE:** In the list of available printers, the WSD printer is displayed in the form of **http://IP address/ws/**.

 **NOTE:** If no WSD printer is displayed in the list, enter the printer's IP address manually to create a WSD printer. To enter the printer's IP address manually, follow the instructions below.

For Windows Server 2008 R2, to create a WSD printer, you must be a member of Administrators group.

1. Click **The printer that I want isn't listed**.

2. Select **Add a printer using a TCP/IP address or hostname** and click **Next**.

3. Select **Web Services Device** from **Device type**.

4. Enter the printer's IP address in the **Hostname or IP address** text box and click **Next**.

5. If prompted, install the printer driver on your computer. If you are prompted for an administrator password or confirmation, type the password or provide confirmation.

6. Complete the additional steps in the wizard, and then click **Finish**.

7. Print a test page to verify print installation.

a. Click **Start® Control Panel® Hardware and Sound® Printers (Start® Devices and Printers** for Windows Server 2008 R2 and Windows 7).

b. Right-click the printer you just created, and then click **Properties (Printer properties** for Windows Server 2008 R2 and Windows 7).

For PCL driver:

On the **Options** tab, set each setting item, and then click **Apply**.

For PS driver:

On the **Device Settings** tab, set each setting item, and then click **Apply**.

c. On the **General** tab, click **Print Test Page**. When a test page prints successfully, installation is complete.

Printing With UX Filter (UNIX)

- [Overview](#)
 - [Installing the UX Filter](#)
 - [Uninstalling the UX Filter](#)
 - [Printing and Using the Utilities](#)
 - [Precautions and Limitations](#)
-

Overview

The UX Filter

This section describes the features of the UX filter and its operating environment.

Features

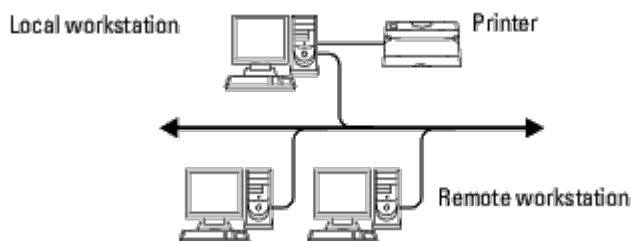
The UX filter is an utility software which converts files created by the UNIX workstation into a format which conforms to the PostScript language loaded in the printer. The utility provides software that converts text files, SunRaster image files (for Sun/Solaris only), TIFF image files and XWD image files into the PostScript language program. Also, it makes use of the printer features to output in the following manner.

- Input paper selection
- Double-sided printing
- Output paper selection

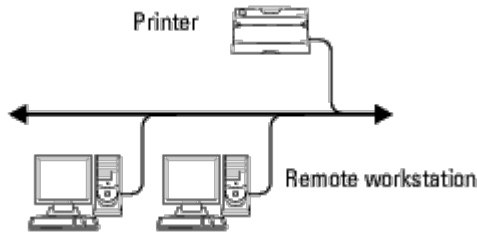
➡ **NOTICE:** Depending on the configurations of the printers, some may not be able to use the UX filter.

Operating Environment

Text files, SunRaster image files (for Solaris only), TIFF image files and XWD image files received from a workstation connected to a printer by a USB cable or parallel cable (hereinafter referred to as the local workstation), or from one located on the network (hereinafter referred to as the remote workstation), can be converted into the PostScript language program and output to the printer.



In addition, it can also be used in an environment where a printer, installed with an interface board, is connected directly to the network.



Before Using the UX Filter

Check the following items before using the UX filter.

Before setting up the workstation, set up the printer as follows.

1. Make sure the lpd port is working or not when using the network environment. If the lpd port is not working, set `LPD` to `On` on the operator panel. (Mandatory) See "[Protocol](#)" for more information.

When a parallel or USB port is to be used, make sure these are working. (Mandatory)

2. Set up IP address and subnet mask when the printer is used in the network environment. (Mandatory)
3. Make TBCPFilter function available if TBCPFilter function is installed on the printer. See "[Adobe Protocol](#)" for more information.

Installing the UX Filter

Before Installation

The following are required for the installation.

- Supported operating system is described in "[Page Description Language \(PDL\)/Emulation, Operating System, and Interface](#)."

Disk capacity: 20 MB of free disk space required, including temporary working space for installation.

- Log on as a root account to perform the operation here. If you have no root privilege, contact your system administrator.
- Output printer must be registered in the workstation before using UX filter. (HP-UX)
Use `sam` command for registration of output printer.
For more information, see the HP-UX related manual.


Files Added by the Installation

The following files will be added when the UX filter is installed.

Solaris


Directory	File name	Contents
/usr/local/dellbin5130	txt2ps2	Text conversion utility
	sunras2ps2	SunRaster conversion utility
	tiff2ps2	TIFF conversion utility
	xwd2ps2	XWD conversion utility

	dellpsif	Input filter
/usr/lib/lp/postscript	dellposttxt5130cdn	Symbolic link file to call txt2ps2
	dellpostps5130cdn	Symbolic link file to call dellpsif
	dellbinpath5130	Directory description file for the UX filter print tool
/usr/lib/lp/model	Model interface program	Source file of the model interface program (stored as the printer name during registration)
/etc/lp/interfaces	Model interface program	Interface program for PRINTER (stored as the printer name during registration)
/etc/lp/fd	posttxt5130cdn.fd	Filter description file for txt2ps2
	dell5130cdn.fd	Dell5130cdn filter description file for Dell 5130cdn Color Laser Printer
	postio5130.fd	Dellpostio filter description file
	download5130cdn.fd	Delldownload filter description file
/usr/share/man/man1	txt2ps25130cdn.1	Manual page file for txt2ps2
	sunras2ps25130cdn.1	Manual page file for sunras2ps2
	tiff2ps25130cdn.1	Manual page file for tiff2ps2
	xwd2ps25130cdn.1	Manual page file for xwd2ps2
	dellpsif5130cdn.1	Manual page file for dellpsif

 **NOTE:** The directories listed are default directories.

HP-UX

Directory	File name	Contents
/usr/local/dellbin5130	txt2ps2	Text conversion utility
	xwd2ps2	XWD conversion utility
	tiff2ps2	TIFF conversion utility
/usr/lib/lp/postscript	dellbinpath5130	Directory description file for the UX filter print tool
/usr/spool/lp/interface	Model interface program	Interface program for PRINTER (stored as the printer name during registration)
/usr/share/man/man1	txt2ps25130cdn.1	Manual page file for txt2ps2
	tiff2ps25130cdn.1	Manual page file for tiff2ps2
	xwd2ps25130cdn.1	Manual page file for xwd2ps2

 **NOTE:** The directories listed are default directories.

Installation Procedure Overview

This section provides information on the installation of the UX filter using the UNIX workstation.

Solaris

1. Setup the printer and network.
2. Insert the *Drivers and Utilities* CD into the local workstation.
3. Run the installer and begin the installation.
4. Print for testing the printer.

HP-UX

1. Setup the printer and network.
2. Insert the *Drivers and Utilities* CD into the local workstation.
3. Run the installer and begin the installation.
4. Print for testing the printer.

Operation on Solaris

Installation/Printer Setting

1. Insert the *Drivers and Utilities* CD in the CD-ROM drive of the local workstation.
If CD-ROM drive is not mounted on your workstation, extract files by using another workstation that has a CD-ROM drive to transfer those files to your workstation.
2. Log on as a root account and extract the installation script from the *Drivers and Utilities* CD.

 **NOTICE:** If you have no root privilege, contact your system administrator.

```
# cd /tmp
# cp /cdrom/cdrom0/UXFILTER.tar /tmp
# tar xvf ./UXFILTER.tar
```

3. Type `./install.sh` and run the installer.

```
# ./install.sh
```

4. Select the printer model to install.


```
Printer Model ?
  1. Dell 5130cdn Color Laser Printer
  2. Exit
Enter Process No (1/2)? : 1
```

5. The following menu appears. Select <1> and set up the local printer.

```
Solaris Installation for Dell 5130cdn Color Laser Printer Type Printer
  1. Set Local Printer
  2. Set Remote Printer
Enter Process No (1/2)? : 1
```

6. Type the device name of the connection port.

```
Enter port-device-name? [/dev/ecpp0] : /dev/bpp0
```

 **NOTICE:** Specify the device file in the communication port available.

7. When `Set Remote Printer` is selected, type the host name of the server or the host name of the printer.

```
Enter server-hostname? : server
server-hostname is 'server' (y/n)[y] : y
```

➡ **NOTICE:** The host name of the server must be pre-registered with DNS, NIS, NIS+ or /etc/hosts.

8. When Set Remote Printer is selected, type the remote printer name.

```
Enter server-printer-name? : ps
server-printer-name is 'ps' (y/n)[y] : y
```

➡ **NOTICE:** Type `ps` when the printer is a network connection printer.

9. Type the printer name to be registered with the system.

```
Enter printer-name? [dell5130cdn] : dell5130cdn
Printer-name is 'dell5130cdn' (y/n)[y] : y
```

10. Specify the directory to install the utility. To install into `/usr/local/dellbin5130`, press the `<Enter>` key. To change the directory, specify one.

```
Enter Binary directory name? [/usr/local/dellbin5130] :
```

11. If this utility has been installed earlier, the user will be prompted whether to overwrite the earlier version.

```
directory is '/usr/local/dellbin5130' (y/n)[n] : y
```

12. If the server input at step 5 the printer connected by the network, type `<y>`. If the server and the printer are connected locally, type `<n>`.

```
'dell5130cdn'is network printer?:(y/n)[y] : y
```

The software installation is complete.

➡ **NOTICE:** When the printing settings are modified or changed by the Administration Tool (admintool) after the installation, printing may not work.

Operation on HP-UX

Installation Procedure

🔪 **NOTE:** The host name of the output printer which you want to specify in step 6 must be pre-registered with a `sam` command.

1. Insert the *Drivers and Utilities* CD into the CD-ROM drive of the local workstation.
2. Log on as a root account and extract the installation script from the *Drivers and Utilities* CD.

➡ **NOTICE:** If you have no root privilege, contact your system administrator.

```
# mount -F cdfs -o cdcase /dev/dsk/clt2d0 /cdrom
# cd /tmp
# cp /cdrom/uxfilter.tar /tmp
# tar xvf UXFILTER.tar
```

🔪 **NOTE:** `/dev/ds/clt2d0` is an example. Specify the CD-ROM device file for all workstations.

3. Type `./install.sh` and run the installer.

```
# ./install.sh
```

4. Select the printer model to install.


```
Printer Model ?
  1. Dell 5130cdn Color Laser Printer
  2. Exit
Enter Process No (1/2)? : 1
```

5. Specify the directory to install the utility.

```
Enter install directory name [/usr/local/dellbin5130] :
directory is '/usr/local/dellbin5130' (y/n)[n] : y
```

6. Type the name of the output printer. Type `delllp5130cdn`. Type the printer name to be registered with the system.

```
Enter output-printer-name? : delllp5130cdn
output-printer-name is 'delllp5130cdn' (y/n)[y] : y
```

 **NOTE:** The registered printer name can be verified by executing `lpstat -v`.


7. Type the logical printer name. Register `dell5130cdn`. Type a printer name that has not already been registered with the system.

```
Enter logical-printer-name? : dell5130cdn
Printer-name is 'dell5130cdn' (y/n)[y] : y
```

8. The utility will be installed in the directory specified at step 5. Registration will be executed here so that the logical printer registered at step 7 can access the utility. As this process is automatically executed, no input is required. With the above steps, the installation is complete.

Uninstalling the UX Filter

The UX filter does not come with an uninstaller. To uninstall the UX filter, follow the following procedure.

 **NOTICE:** Log on as a root account to perform the operation here. If you have no root privilege, contact your system administrator.

Solaris

1. Delete the printer that was registered with the system. Use the printer name created during the installation and the `lpadmin` command.

```
# lpadmin -x printername
```

2. Delete the filters registered with the system. Delete the filters registered during the installation using the `lpfilter` command.

```
# lpfilter -f dell5130cdn -x (for Dell 5130cdn Color Laser Printer)
# lpfilter -f download5130 -x
# lpfilter -f postio5130cdn -x
# lpfilter -f posttxt5130cdn -x
```

-
3. Delete the symbolic files required to call up the filter.

Delete the following files from `/usr/lib/lp/postscript`.

```
dellposttxt5130cdn
dellpostps5130cdn
dellbinpath5130
```

4. Delete the interface program files of *Selected printer type name* from `/usr/lib/lp/model`.

Please also delete the interface program files of *Selected printer name* from `/etc/lp/interfaces`.

5. Delete all the directories that contain the UX filters and the files in these directories created during the installation. The following directories must be deleted.

```
/usr/local/dellbin5130
```

6. Delete the filter description files. Delete the following files from `/etc/lp/fd`.

Filter description files for various printers.

```
dell5130cdn.fd (for Dell 5130cdn Color Laser Printer)
download5130.fd
postio5130cdn.fd
posttxt5130cdn.fd
```

HP-UX

1. Delete the printer that was registered with the system. Use the `sam` command to delete the printer set up during the installation.

```
# sam
```

2. Delete all the directories that contain the UX filters and the files in these directories created during the installation. The following directories must be deleted.

```
/usr/local/dellbin5130 (directory specified during the installation)
```

Printing and Using the Utilities

Printing (Solaris)

This section provides information on printing that makes use of the filter. To print from Solaris, specify the printer registered during the installation of filters as the output destination.



NOTICE: To use the `lp` command, make sure the operating environment of the spooler has been set up correctly (enabled, available) using the `lpstat` command (`lpstat -p all`). For details on the options of the `lp` command and the `lpstat` command or how to make use of them, see the related manuals of Solaris.

Printing From Solaris

To print to the default printer:


If the printer is registered as the default printer, the name of the printer can be shortened and specified as shown in the following example.

```
% lp filename
```

To print to other printers:

To print to a printer named *dell5130cdn*, type as follows.

```
% lp -d dell5130cdn filename
```

 **NOTE:** The name of the printer can be confirmed by executing `lpstat -v`.


To change the default printer temporarily for printing:

To change the default printer, set the printer name in the environment variable LPDEST.

To set a printer named *dell5130cdn* as the default printer for printing, type as follows.

```
% setenv LPDEST dell5130cdn
% lp filename
```

 **NOTE:** Using this method, a default printer can be set up for each user.

 **NOTE:** The above example describes the setup method executed when cache is used.

To select a paper tray for printing:

To select a paper tray for printing, specify the paper tray after the `-y` option of the `lp` command.


 **NOTE:** Depending on installed options, the available paper trays are different.

To select and print to a letter size paper of the printer named *dell5130cdn* with landscape, specify as follows.

```
% lp -d dell5130cdn -y landscape -y letter filename
```

The following options can be specified by the `lp` command.

To print text files:

 **NOTE:** It prints according to the length and width specified by the `lpadmin` command.

`-y double`

Sets printing to 2-column printing.

`-y landscape`

Rotates the image by 90° and uses the paper in the landscape orientation.

`-y size=n`

Sets the font size to *n* point.

`-y outcolumn=n`

This option converts text to single-byte text and sets printing to start from the *n*th column.


`-y outline=n`

Sets printing to start from the *n*th line.

`-y font=font`

Sets the font for printing single-byte alphanumeric characters. If the font specified is not available for the printer, the default fonts are used.

 **NOTE:** To specify a font, type the font name as-is after the `-y font=` option.
`% lp -y font=Courier-Oblique filename`

 **NOTE:** For information on the available fonts, see the PS Fonts List.

`-y margin=u:b:r:l`

Specifies the margin of a page in inches. The *u* (upper margin), *b* (bottom margin), *r* (right margin), and *l* (left margin) are positive real numbers (up to two decimal points). The default is 0.

`-y ps`

The input file will be processed as the PostScript file. If the file does not begin with "%!", "%!" will be output to the beginning line. Whether the file contains "%!" will be ignored.

To print text/PostScript files:

-y DuplexBook

Enables the long-edge binding feature. When it is specified, the printing direction or position will be adjusted and both sides of the paper printed so that the longer edge of the pages can be bound.

-y DuplexList

Enables the short-edge binding feature. When it is specified, the printing direction or position will be adjusted and both sides of the paper printed so that the shorter edge of the pages can be bound.

-y tray-input

The paper tray-related parameters that can be specified by the lp command are as follows:

tray1

Feed paper from tray 1 (top tray).

tray2

Feed paper from tray 2 (the second tray from the top).

tray3

Feed paper from tray 3 (the third tray from the top).

tray4

Feed paper from tray 4 (the fourth tray from the top).

tray5

Feed paper from tray 5 (the fifth tray from the top).

a4

Feed paper from the tray loaded with A4 (210 x 297 mm).

a5

Feed paper from the tray loaded with A5 (148 x 210 mm).

b5

Feed paper from the tray loaded with B5 (182 x 257 mm).

letter

Feed paper from the tray loaded with Letter (8.5 x 11 inches).

folio

Feed paper from the tray loaded with Folio (8.5 x 13 inches).

legal

Feed paper from the tray loaded with Legal (8.5 x 14 inches).

executive

Feed paper from the tray loaded with Executive (7.25 x 10.5 inches).

monarch

Feed paper from the tray loaded with Monarch (3.875 x 7.5 inches).

com10

Feed paper from the tray loaded with Envelope #10 (4.125 x 9.5 inches).

d1

Feed paper from the tray loaded with DL (110 x 220 mm).

c5

Feed paper from the tray loaded with C5 (162 x 229 mm).

MxNmm

Feed paper from the tray loaded with MxNmm defined by users.

Possible range specified:

Width: 76.2 to 215.9 mm

Length: 127.0 to 355.6 mm

MxNin

Feed paper from the tray loaded with MxNinches defined by users.

Possible range specified:

Width: 3.00 to 8.5 inches

Length: 5.00 to 14.0 inches

If this option is not specified or the tray specified tray is not available, feed paper from the default tray.

`-y toner_save`

Turns on the *save toner* mode for printing. The print result will be fainter than that of normal printing.

`-y nc=n`

Specifies the number of output copies (the value of copies must be a positive integer). If this option is not specified, 1 will be selected.

`-y cl`

Specifies that printing be collated. If the *copies* option is not specified, this option will be ignored.

`-y ps`

The input file will be processed as the PostScript file. If the file does not begin with `%!`, `%!` will be output to the beginning line. If a file contains `%!`, this option will be ignored.

`-y msi`

Specifies multipurpose feeder.

`-y m=type`

Specifies multipurpose feeder Paper Type.

Available multipurpose feeder Paper Types are as follows:

B

FinePaper/Bond/Plain Paper 2

BB

FinePaperBack/Bond/Plain Paper 2 - Side 2

P

Stationery/Plain/Plain Paper 1

PB

StationeryBack/Plain/Plain Paper 1 - Side 2

R

Recycled Paper

RB

RecycledPaperBack/Recycled Paper - Side 2

H1

ThickPaper/Heavyweight 1/Covers 1

H1B

ThickPaperBack/Heavyweight 1/Covers 1 - Side 2

H2

ThickPaper2/Heavyweight 2/Covers 2

H2B

ThickPaper2Back/Heavyweight 2/Covers 2 - Side 2

OHP

Transparency

L

LabelPaper/Labels

C2

Coated/Coated 2/Coated Paper 2

C2B

Coated Back/Coated 2/Coated Paper 2 - Side 2

C3

Coated Thick/Coated 3/Coated Paper 3

C3B

Coated Thick Back/Coated 3/Coated Paper 3 - Side 2

LH

LetterHead

E

Envelope

If this option is not specified, multipurpose feeder Paper Type for the printer can be used.

`-y mfo=mode`

Specifies orientation for multipurpose feeder.

Available orientations for multipurpose feeder are as follows:

le

Landscape

ler

Landscape (Rotated)

se

Portrait

ser

Portrait (Rotated)

`-y po=n`

Specifies alternate tray.

Available alternate trays are as follows:

0

Use printer settings

1

Display message

2

Feed from multipurpose feeder

3

Use nearest size (Adjust to fit)

4

Use larger size (Adjust to fit)

5

Use nearest size (No zoom)

6

Use larger size (No zoom)

`-y st=mode`

Specifies feed separators from.

Available feed separators from the following.

`auto`

AutoTray/Auto

1

1stTray/Tray 1 (Standard 550-sheet tray)

2

2ndTray/Tray 2 (Optional 550-sheet feeder)

3

3rdTray/Tray 3(Optional 550-sheet feeder)

4

4thTray/Tray 4 (Optional 1100-sheet feeder)

5

5thTray/Tray 5 (Optional 1100-sheet feeder)

`msi`

Multipurpose Feeder

`off`

Off

`-y sp`

Specifies printed separators.

`-y sb`

Specifies Skip Blank Pages.

`-y cm=mode`

Specifies output color.

Available output colors are as follows:

`c`

Color (CMYK)

`k`

Black

`-y pr=mode`

Specifies print mode.

Available print modes are as follows:

`hs`

High speed

`hq`

High quality

`hr`

High Resolution

`-y cc=mode`

Specifies image types.

Available image types are as follows:

0

Off

1

Photo

2

Screen Display

3

Standard/ Normal

4

Business Graphics

This option is available only for color printing and when entry data is RGB data.

`-y gc=mode`

Specifies RGB gamma correction.

Available RGB gamma corrections are as follows:

1.0

1.0

1.4

1.4

1.8

1.8

2.2

2.2

2.6

2.6

off

Off

This option is available only for color printing and when entry data is RGB data.

`-y sc=mode`

Specifies screen.

Available screens are as follows:

0

Fineness

1

Standard

2

Auto

3

Gradation

`-y gg=mode`

Specifies gray guaranteed.

Available gray guaranteed modes are as follows:

on

On

off

Off

This option is available only for color printing.

`-y ct`

Specifies color transformation.

This option is available only for color printing.

`-y br=mode`

Specifies brightness adjustment.

Available brightness adjustment option values are as follows:

+5
Bright 5

+4
Bright 4

+3
Bright 3

+2
Bright 2

+1
Bright 1

+0
Normal

-1
Dark 1

-2
Dark 2

-3
Dark 3

-4
Dark 4

-5
Dark 5

`-y rgbc=mode`

Specifies RGB color correction.

Available RGB color corrections are as follows:

10
Perceptual

11
Saturation

12
RelativeC

13
AbsoluteC

This option is available only for color printing and when entry data is RGB data.

`-y rgbpr=mode`

Specifies RGB input profile.

Available RGB input profile option value are as follows:

0
sRGB

1
AdobeRGB

This option is available only for color printing and when entry data is RGB data.

`-y rgbtp=mode`

Specifies RGB color temperature.

Available RGB color temperature option value are as follows:

5000
5000K

6000

6000K

9300

9300K

This option is available only for color printing and when entry data is RGB data.

`-y cb=cyan-low:cyan-middle:cyan-high:magenta-low:magenta-middle:magenta-high:yellow-low:yellow-middle:yellow-high:black-low:black-middle:black-high`

Specifies adjustment value for color balance of each color/density.

Available adjustment values are as follows:

+3

Dark 3

+2

Dark 2

+1

Dark 1

0

Normal

-1

Light 1

-2

Light 2

-3

Light 3

-Cb

Option value must be specified in the following order:

Cyan low density, Cyan medium density, Cyan high density, Magenta low density, Magenta medium density, Magenta high density, Yellow low density, Yellow medium density, Yellow high density, Black low density, Black medium density, Black high density

If no value is specified, it is treated as "0"(Normal).

For example, if you want to specify "Light 2" for Cyan medium density, "Dark 3" for Yellow high density, and "Dark 2" for Black low density, it can be specified using either of the following:

`-Cb=0:-2:0:0:0:0:0:0:0:+3:+2:0:0`

`-Cb=-2:.....+3:+2:..`

`-y sl=mode`

Specifies staple settings.

Available staple option values are as follows:

0

Off

1

On

This option is available only when the optional output expander is installed.

`-y os=mode`

Specifies offset settings.

Available offset option values are as follows:

0

Auto

1

Offset per Set (Offsets each copy before printing the next copy.)

2

Offset per Job (Offsets each copy per paper job you specify.)

This option is available only when the optional output expander is installed.

`-y lh=mode`

Specifies letterhead duplex mode settings.

When letterhead duplex mode is enabled, a print sheet is always fed through duplex feeding path in a printer. As the result, a user can set sheets without caring about sheet orientation in an input slot.

Available Letterhead duplex mode values are as follows:

0
Off

1
On

2
Auto

`-y tr=mode`

Specifies trapping settings.

Available trapping option values are as follows:

0
Off

1
On

`-y -hld=PrintType:UserID:Password:DocumentName`

Specifies the print type.

Available types of setting are as follows:

For Secure Print

`secure:UserID:Password:DocumentName`

`secure:UserID:Password:`

For Private MailBox Print

`private:UserID:Password:DocumentName`

`private:UserID: Password:`

For Public MailBox Print

`public:UserID::DocumentName`

`public:UserID::`

For Proof Print

`proof:UserID::DocumentName`

`proof:UserID::`

- For *UserID*, enter an ID up to eight single-byte characters from 0x20 to 0x7E, except 0x20 " "(blank) and 0x3A":" (colon).
- For *Password*, enter a password up to 12 single-byte characters from 0x30 to 0x39 (numeric characters).
- For *DocumentName*, enter a document name up to 12 single-byte characters from 0x20 to 0x7E, except 0x20 " " (blank) and 0x3A":" (colon).

 **NOTE:** When document name is not specified, the original document name will be used.

`-y -Jown= jobownername: Password: jobgroupname`

Specifies job owner name, password and job group name for authentication.

Available types of setting are as follows:

`jobownername:password:jobgroupname`


`jobownername:password:`

`jobownername::`


`:password:`


::


- o For *jobownername*, enter a job owner name up to 32 characters.
- o For *password*, enter an alphanumeric password between 4 and 12 characters.
- o For *jobgroupname*, specify a job group name up to 32 characters.


 **NOTE:** Alphanumeric characters, including spaces and colons, and symbols can be entered to specify a job owner name.

 **NOTE:** When no job owner name is specified, login user name is used as job owner name.

 **NOTE:** When a job owner name exceeds allowable character length, the extra characters are ignored.

 **NOTE:** When an unacceptable character is entered to specify a job owner name, "UnknownUser" becomes the job owner name.

 **NOTE:** When an unacceptable character is entered in a password, or when a specified password is not within the range of the allowable character length, the authentication password is treated as not specified.

 **NOTE:** Incomplete form of -Jown option is treated as no authentication setting being made. In such case, if authentication setting is made with the environmental variable, it is used as setting information.

Printing (HP-UX)

This section provides information on printing from the registered logical printer during the installation.

Printing From HP-UX

To print to the default printer:

If the printer is registered as the default printer, the name of the printer can be shortened and specified as shown in the following example.

```
% lp filename
```

To print to other printers:

To print to a printer named `dell15130cdn`, type as follows.

```
% lp -d dell15130cdn filename
```

To change the default printer temporarily for printing:

To change the default printer, set the printer name in the environment variable `PRINTER`.

To set a printer named `dell15130cdn` as the default printer for printing, type as follows.

```
% setenv PRINTER dell15130cdn
% lp filename
```

To print with added options:

To print with the options, specify the option of the `lp` command using `-o` as follows.

The available options are the same as `txt2ps2/tiff2ps/xwd2ps2`.

Depending on installed options, the available paper trays are different.

```
%lp -d dell15130cdn -o r -o ILT filename
```

To print using file format:

To print text files:

```
% lp -d dell15130cdn filename
```

To print XWD files:

```
% lp -d dell15130cdn -o XWD filename
```

To print TIFF format files:

```
% lp -d dell15130cdn -o TIF filename
```

To print PostScript files:

```
% lp -d dell15130cdn filename
```

To print PostScript files as text files:

```
% lp -d dell15130cdn -o TX filename
```

However, for PostScript files with options set up, such as paper selection, etc., when the same option is specified, it will be ignored.

Authentication Printing


This section provides information on how to specify the group and user name used for authentication printing in the environment variable.


Specifying the Group Name

To specify the Group Name for Authentication Printing:

You can specify a unique group name in the environment variable as follows.

```
% setenv JOWN5130G " jobgroupname"
```

 **NOTE:** Up to 32 characters are acceptable for the group name. When a group name exceeds allowable character length, the extra characters are ignored.

 **NOTE:** If you specify the filter option when authentication printing is already specified, the filter option has the higher priority over authentication printing.

Specifying the User Name


To specify the User Name for Authentication Printing:


You can specify a unique user name in the environment variable as follows.

```
% setenv JOWN5130U " jobownername"
```

You can specify the login name as the user name as follows.

```
% setenv JOWN5130U ""
```

 **NOTE:** Up to 32 characters can be entered to specify the user name. When a user name exceeds allowable character length, the extra characters are ignored.

 **NOTE:** If you specify the filter option when authentication printing is already specified, the filter option has the higher priority over authentication printing.

Specifying the Password


To Specify the Password for Authentication Printing:


If you need to specify the password in authentication printing, you can specify the password in the environment variable as follows.


```
% setenv JOWN5130P "password"
```


If you do not specify the password in explicitly, type as follows.

```
% setenv JOWN5130P ""
```

 **NOTE:** Acceptable password length is between 4 and 12 characters. When an unacceptable character is entered in a password, or when a specified password is not within the range of the allowable character length, the extra characters are ignored.

 **NOTE:** If you specify the filter option when authentication printing is already specified, the filter option has the higher priority over authentication printing.

 **NOTE:** If you only specify the password without specifying the user name in the environment variable, the login name is assumed as the user name.

 **NOTICE:** If you enter the password in the login file for automatically allocating the environment variable when you log in, you are recommended to specify the appropriate access privilege that prevents unauthorized users from reading the login file.

txt2ps2 (Solaris/HP-UX)

Format

```
/usr/local/dellbin5130/txt2ps2 [-d] [-D] [-Itray-input] [-t] [-2] [-r] [-F] [-llines] [-wcolumns]
[-outcolumns] [-Loutlines] [-en] [-ssize] [-E] [-ffont] [-Nc=copies] [-cl] [-ps] [-
mg=up:bottom:right:left] [-Hd=position:format:page] [-Hffont] [-MSI] [-M=type] [-Mfo=mode] [-Pon] [-
St=mode] [-Sp] [-Sb] [-Cm=mode] [-Pr=mode] [-Cc=mode] [-Gc=mode] [-Sc=mode] [-Gg=mode] [-Cb=cyan-
low:cyan-middle:cyanhigh:magenta- low:magenta-middle:magenta-high:yellow-low:yellow-middle:yellow
high:black-low:black-middle:black-high] [-Sl=mode] [-Os=mode] [-Lh=mode] [-Tr=mode] [-
Hld=PrintType:UserID:Password:DocumentName] [-Jown= jobownername:password:jobgroupname] [filename...]
```

Function

Reads text, converts it to the PostScript language program, and writes to standard output. If the filename is not specified, the standard input will be taken as the command input.

By typing character strings in the environmental variable `TXT2PS2OPTION`, the input of option at the command line can be omitted.

At the environmental variable `TXT2PS2OPTION` and the command line, if no option is specified, the printer will output in 10-point font size in the portrait orientation.

At the environmental variable `TXT2PS2OPTION` and the command line, if the same option is specified, the one specified at the command line will prevail.

`txt2ps2` outputs the PostScript language program that adjusts the line/column according to the paper size. For this reason, the user need not be aware of the paper size. If there is an option to specify the line/column, automatic line feed according to the paper size will not be executed. Printing will be output according to the line/column specified.

`txt2ps2` interprets the following control codes. Other control codes/undefined codes will be converted to octal numbers and output as-is.

LF

Line feed

FF

Form feed (modifiable by option)

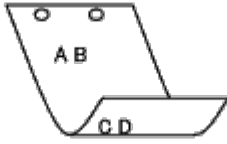
TAB

8-column tab stop (modifiable by option)

Option

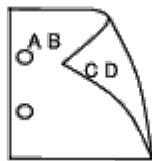
-d

Enables the short-edge binding feature. When it is specified, the printing direction or position will be adjusted and both sides of the paper printed so that the shorter edge of the pages can be bound.



-D

Enables the long-edge binding feature. When it is specified, the printing direction or position will be adjusted and both sides of the paper printed so that the longer edge of the pages can be bound. This option is available only when the duplexer is installed on the printer.



-I tray-input

Specifies the paper tray. A paper tray can be selected by directly specifying a tray or by specifying a paper size.

When a paper size is specified, the tray loaded with paper of the specified size will be found and selected automatically.

The parameters for selecting a paper tray are as follows:

1

Feed paper from tray 1 (top tray).

2

Feed paper from tray 2 (the second tray from the top).

3

Feed paper from tray 3 (the third tray from the top).

4

Feed paper from tray 4 (the fourth tray from the top).

5

Feed paper from tray 5 (the fifth tray from the top).

A4

Feed paper from the tray loaded with A4 (210 x 297 mm).

A5

Feed paper from the tray loaded with A5 (148 x 210 mm).

B5

Feed paper from the tray loaded with B5 (182 x 257 mm).

LT

Feed paper from the tray loaded with Letter (8.5 x 11 inches).

FL

Feed paper from the tray loaded with Folio (8.5 x 13 inches).

LG

Feed paper from the tray loaded with Legal (8.5 x 14 inches).

EX

Feed paper from the tray loaded with Executive (7.25 x 10.5 inches).

MO

Feed paper from the tray loaded with Monarch (3.875 x 7.5 inches).

COM10

Feed paper from the tray loaded with Envelope #10 (4.125 x 9.5 inches).

DL

Feed paper from the tray loaded with DL (110 x 220 mm).

C5

Feed paper from the tray loaded with C5 (162 x 229 mm).

MxNmm

Feed paper from the tray loaded with MxNmm defined by users.
Possible range specified:
Width: 76.2 to 215.9 mm
Length: 127.0 to 355.6 mm

MxNin

Feed paper from the tray loaded with MxNinches defined by users.
Possible range specified:
Width: 3.00 to 8.5 inches
Length: 5.00 to 14.0 inches

If this option is not specified or the tray specified is not available, feed paper from the default tray.

-t

Turns on the *save toner* mode for printing. The print result will be fainter than that of normal printing. In some cases, this option will be ignored.

-2

Sets printing to 2-column printing.

-r

Rotates the image by 90° and uses the paper in the landscape orientation.

-F

Ignores the form feed code (FF).

-l*lines*

Specifies the number of lines per page.

-w*columns*

Specifies the number of columns per line.

-o*outcolumns*

Converts print data to single-byte text and sets printing to start from outcolumns.

-l*outlines*

Prints text from the outline columns.

-en

Expands horizontal tabs to *n* columns (space). The default is 8.

-s*size*

Specifies the font size as point size. The default is 10.

-E

This function turns on the image enhancement function. For models without the image enhancement mechanism, this option will be ignored.

`-ffont`

Sets the font.



NOTE: The available fonts are limited to the font in the printer. For more information, see "[Understanding Fonts.](#)"

`-Nc=copies`

Specifies the number of output copies (the value of copies must be a positive integer).

`-Cl`

Specifies that printing be collated. If the copies option is not specified, this option will be ignored.

`-ps`

The input file will be processed as the PostScript file. If the file does not begin with `%!` , `%!` will be output to the beginning line. If a file contains `%!` , it will be processed in the same way as `dellpsif`.

`-mg=up:bottom:right:left`

Specifies the margin of a page in inches. The upper margin, bottom margin, right margin, and left margin are positive real numbers (up to two decimal points). The default is 0.

`-mg=0:0:0:3`

Sets the left margin to 3 inches.

`-mg=3:3:0:5`

Sets the upper margin to 3 inches; bottom margin, 3 inches; and left margin, 5 inches. If the margin is 0, it can be omitted.

`-mg=:::3`

Sets the left margin to 3 inches.

`-Hd=position:format:page`

Specifies the position that the user information of the header or footer is output at. *position* specifies output position. But this option is available only for converting text files.

`ul`

Output on the upper left corner of the paper.

`ur`

Output on the upper right corner of the paper.

`dl`

Output on the lower left corner of the paper.

`dr`

Output on the lower right corner of the paper.

format specifies the contents and the order to output. This option is omissible. If this option is omitted, `uh` is specified as the default value.

`u`

User name

`h`

Host name

`t`

Date and time

If the output contents are specified as `tuh`, it is output as follows.
Date and Time User: *username* Host: *hostname*

page specifies the page to output. This option is omissible.

`f`

Output the top page only.

(default in case of PostScriptfiles conversion)

a

Output all pages.

(default in case of Text files conversion)

Specify these options as follows.

In the case that convert text file, output the host name following the user name on the upper right corner of the paper, output all pages.

(User name, Host name, all page output are default)

```
-Hd=ur  
-Hd=ur:uh  
-Hd=ur:uh:a
```

In the case that convert PostScript file, output the host name following the date and time on the lower left corner of the paper, output all pages (a option value is necessary because *output the top page only* is default when PostScript file is converted.)

```
-Hd=dl:th:a
```



NOTICE: If the paper size is not specified, it outputs the header and footer at the position of A4 size by default. If the paper size is specified by `lp` command, the output position of the header or footer is not changed from the position of the paper size specified by `txt2ps2`. Specify the paper size at the same time when the header and footer option is used. Sometimes all pages are not printed despite specifying all page output when PostScript file conversion is specified. In such cases, specify *output the top page only*. By using TZ environmental variable, specify time zone (GMT etc.).

-Hf *font*

Specify the font to print the header and footer. European fonts the same as half size alphanumeric fonts can be specified. Helvetica is specified as default. If the wrong font is specified, the default European font of the printer can be used. If the header/footer output option is specified, the font specification for the header/footer is ignored.

-MSI

Specifies multipurpose feeder.

-M= *type*

Specifies multipurpose feeder Paper Type.
Available multipurpose feeder Paper Types are as follows:

B

FinePaper/Bond/Plain Paper 2

BB

FinePaperBack/Bond/Plain Paper 2- Side 2

P

Stationery/Plain/Plain Paper 1

PB

StationeryBack/Plain/Plain Paper 1 - Side 2

R

Recycled Paper

RB

RecycledPaperBack/ Recycled Paper - Side 2

H1

ThickPaper/Heavyweight 1/Covers 1

H1B

ThickPaperBack/Heavyweight 1/Covers 1 - Side 2

H2

ThickPaper2/Heavyweight 2/Covers 2

H2B

ThickPaper2Back/Heavyweight 2/Covers 2 - Side 2

OHP

Transparency

L

LabelPaper/Labels

C2

Coated/Coated 2/Coated Paper 2

C2B

Coated Back/Coated 2/Coated Paper 2- Side 2

C3

Coated Thick/Coated 3/Coated Paper 3

C3B

Coated Thick Back/Coated 3/Coated Paper 3- Side 2

LH

Letterhead

E

Envelope

If this option is not specified, multipurpose feeder Paper Type of the printer can be used.

`-Mfo=mode`

Specifies orientation for multipurpose feeder.
Available orientations for multipurpose feeder are as follows:

le

Landscape

ler

Landscape (Rotated)

se

Portrait

ser

Portrait (Rotated)

`-Pon`

Specifies alternate tray.
Available alternate trays are as follows:

0

Use printer settings

1

Display message

2

Feed from multipurpose feeder

3

Use nearest size (Adjust to fit)

4

Use larger size (Adjust to fit)

5

Use nearest size (No zoom)

6

Use larger size (No zoom)

-St=mode

Specifies feed separators from.
Available feed separators froms are as follows:

auto

AutoTray/Auto

1

1stTray/Tray 1 (Standard 550-sheet feeder)

2

2ndTray/Tray 2 (Optional 550-sheet feeder)

3

3rdTray/Tray 3 (Optional 550-sheet feeder)

4

4thTray/Tray 4 (Optional 1100-sheet feeder)

5

5thTray/Tray 5 (Optional 1100-sheet feeder)

msi

Multipurpose Feeder

off

Off

-Sp

Specifies printed separators.
Available only when the paper tray for separators is specified.

-Sb

Specifies Skip Blank Pages.

-Cm=mode

Specifies output color.
Available output colors are as follows:

c

Color (CMYK)

k

Black

-Pr=mode

Specifies print mode.
Available print modes are as follows:

hs

High Speed

hq

High Quality

hr

High Resolution

-Cc=mode

Specifies RGB Color Correction.
Available RGB Color Corrections are as follows:

0

Off

1

Photo

2

Screen Display

3

Standard/Normal

4

Business Graphics

This option is available only for color printing and when entry data is RGB data.

-Gc=mode

Specifies RGB gamma correction.

Available RGB gamma corrections are as follows:

1.0

1.0

1.4

1.4

1.8

1.8

2.2

2.2

2.6

2.6

off

Off

This option is available only for color printing and when entry data is RGB data.

-Sc=mode

Specifies screen.

Available screens are as follows:

0

Fineness

1

Standard

2

Auto

3

Gradation

-Gg=mode

Specifies gray guaranteed.

Available gray guaranteed options are as follows:

on

On

off

Off

This option is available only for color printing.

-Ct

Specifies color transformation.

This option is available only for color printing.

-Br=*mode*

Specifies brightness adjustment.

Available brightness adjustment option values are as follows:

+5

Bright 5

+4

Bright 4

+3

Bright 3

+2

Bright 2

+1

Bright 1

+0

Normal

-1

Dark 1

-2

Dark 2

-3

Dark 3

-4

Dark 4

-5

Dark 5

-RGBc=*mode*

Specifies RGB color correction.

Available RGB color corrections are as follows:

10

Perceptual

11

Saturation

12

RelativeC

13

AbsoluteC

This option is available only for color printing and when entry data is RGB data.

-RGBPr=*mode*

Specifies RGB input profile.

-Sl=mode

Specifies staple settings.

Available staple option values are as follows:

0
Off

1
On

This option is available only when the optional output expander is installed.

-Os=mode

Specifies offset settings.

Available offset option values are as follows:

0
Auto

1
Offset per Set (Offsets each copy before printing the next copy.)

2
Offset per Job (Offsets each copy per paper job you specify.)

This option is available only when the optional output expander is installed.

-Lh=mode

Specifies letterhead duplex mode settings.

When letterhead duplex mode is enabled, a print sheet is always fed through duplex feeding path in a printer. As the result, a user can set sheets without caring about sheet orientation in an input slot.

Available Letterhead duplex mode values are as follows:

0
Off

1
On

2
Auto

-Tr=mode

Specifies trapping settings.

Available trapping option values are as follows:

0
Off

1
On

-Hld=PrintType:UserID:Password:DocumentName

Secure Print

PrintType

secure

Secure Print

private

Private MailBox Print

public

Public MailBox Print

proof

Proof Print

UserID

Up to eight single-byte characters from 0x20 to 0x7E, except 0x20 " " (blank) and 0x3A ":" (colon).

Password

Up to 12 single-byte characters from 0x30 to 0x39 (numeric characters).

DocumentName

Up to 12 single-byte characters from 0x20 to 0x7E, except 0x20 " " (blank) and 0x3A ":" (colon).

Secure Print

-Hld=store:*UserID:Password:DocumentName*

-Hld=store:*UserID:Password:*

Private MailBox Print

-Hld=private:*UserID:Password:DocumentName*

-Hld=private:*UserID:Password:*

Public MailBox Print


-Hld=public:*UserID::DocumentName*

-Hld=public:*UserID::*

Proof Print

-Hld=proof:*UserID::DocumentName*


-Hld=proof:*UserID::*

 **NOTICE:** Make sure you specify Secure Print only when you directly print data to a printer. Secure Print may not be available if you specify it when data need to be printed through another server or data need to be handled by another program such as PostScript files. Collate is automatically specified when you specify Proof Print.

-Jown= *jobownername: Password: jobgroupname Authentication Setting*


Specifies job owner name, password and job group name for authentication.


- When only job owner name is specified (-Jown=*jobownername:*) (no password specified), authentication password is treated as not specified.
- When only password is specified (-Jown=*:password*) (no job owner name specified), login user name is used as job owner name. Entered password is used as authentication password.
- When neither of job owner name nor password is specified (-Jown=*:*), login user name is used as job owner name, and authentication password is treated as not specified.
- When a job owner name exceeds allowable character length, the extra characters are ignored.
- When an unacceptable character is entered to specify a job owner name, "UnknownUser" becomes the job owner name.

 **NOTE:** Characters acceptable for job owner name are alphanumeric characters and symbols, except for space and colon.

 **NOTE:** Up to 32 characters become the job owner name.

- When an unacceptable character is entered in a job group name, the job owner name is treated as not specified.

 **NOTE:** Alphanumeric characters, including spaces and colons, and symbols can be entered to specify a job owner name.

 **NOTE:** Up to 32 characters can be entered to specify a group name.

- When an unacceptable character is entered in a password, or when a specified password is not within the range of the allowable character length, the authentication password is treated as not specified.

 **NOTE:** Acceptable password length is between 4 and 12 characters.

Incomplete form of `-Jown` option is treated as no authentication setting being made. In such case, if authentication setting is made with the environmental variable, it is used as setting information.

Example

To convert the program list of the `file.txt` file into the PostScript language program that sets the paper to the landscape orientation and prints in the 2-up mode, type as follows:

```
% txt2ps2 -r -2 file.txt | lp
```

To convert `file.txt` to the PostScript language program and output it to the `file.ps` file, type as follows:

```
% txt2ps2 file.txt > file.ps  
% lp file.ps
```

To convert the output result of the command into the PostScript language program using `txt2ps2` and print it to the printer, type as follows:

```
% ls -alF | txt2ps2 | lp
```

Environmental Variable

TXT2PS2OPTION

Optional settings based on the environmental variable. To output in the 2-up mode, 8 points and the landscape orientation, type as follows:

```
% setenv TXT2PS2OPTION "-2 -s8 -r"
```

To use the same options as those of the `dellpsif` filter specified by `printcap`, type as follows:

```
% setenv TXT2PS2OPTION "<dellpsif>"
```

File

`/usr/local/dellbin5130/.dellpsdefault5130`

This is the default command option setting file for individual users.

Important

- When the same option is specified twice, the later setting will prevail. As `TXT2PS2OPTION` is analyzed before the option of the command line, it is possible to temporarily modify the options already set in `TXT2PS2OPTION` by typing at the command line.
- The comment description (`%%page:m n`) of the page number cannot be output to the PostScript program file which is output by the default option of `txt2ps2`. Thus, when the output of `txt2ps2` is to be taken as the output of another application (`psrev` of `TRANSCRIPT`, etc.), add the page number description by inserting the line command (`-Ilines`).
- If a BS code is found at the beginning of a line, the print position of the next character will be located at the left of the beginning of the line.
- When there are multiple tab codes in one line, the tab position may be off as a result of automatic line feed. In such case, use the `-I` or `-w` option.
- The number of columns specified by the `-w` option is not the actual number of printed characters. The actual number of single-byte characters to be printed is derived by deducting the output column position (`outcolumns`) specified by the `o` option from the number of columns specified by the `-w` option.

The `-mg` option cannot be specified when `-w`, `-l`, `-o`, and `-L` option are specified.

The start positions of margin of the margin command (`-mg=u:b:r:l`) are not set against the edge of the paper. The margins are set against the printable area of the paper allowed by the printer.

Use the `-ps` option only when a PostScript file that contains no `%!` at the beginning of the file is used as the PostScript file. If a normal text file is input, it will not function correctly.

- In HP-UX, `txt2ps2` considers files written by PostScript that contain `%!` at the beginning of the file as the PostScript files. To print PostScript files as text files, specify the `tx` option. With this option, PostScript files will be processed as text files.

sunras2ps2 (Solaris)

Format

```
/usr/local/dellbin5130/sunras2ps2 [-d] [-D] [-Itray-input] [-t] [-r] [-n] [-l=left,bottom] [-s=width,height] [-S=width] [-E] [-Nc=copies] [-Cl] [-Hd=position: format] [-Hffont] [-MSI] [-M=type] [-Mfo=mode] [-Pon] [-St=mode] [-Sp] [-Sb] [-Cm=mode] [-Pr=mode] [-Cc=mode] [-Gc=mode] [-Sc=mode] [-Gg=mode] [-Ct] [-Br= mode] [-RGBC= mode] [-RGBPr= mode] [-RGBTp= mode] [-Cb=cyan-low:cyan-middle:cyan-high:magenta-low:magenta-middle:magenta-high:yellow-low;yellow-middle:yellow high:black-low:black-middle:black-high] [-Sl=mode] [-Os=mode] [-Lh=mode] [-Tr=mode] [-Hld=PrintType:UserID:Password:DocumentName] [-Jown= jobownername:password:jobgroupname] [filename...]
```

Function

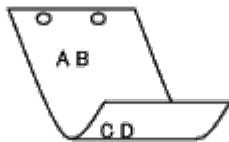
Reads SunRaster data, converts it to the PostScript language program and writes to standard output. If the filename is not specified, the standard input will be taken as the command input. SunRaster files with a pixel depth of 1, 8, 24, and 32 bits can be specified.

`sunran2ps2` takes filename as having been created in 72dpi and calculates the output size. Thus, to convert SunRaster files created in other resolutions, specify the size option (`-s`, `-s`) explicitly.

Option

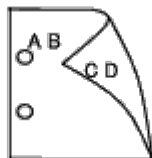
`-d`

Enables the short-edge binding feature. When it is specified, the printing direction or position will be adjusted and both sides of the paper printed so that the shorter edge of the pages can be bound.



`-D`

Enables the long-edge binding feature. When it is specified, the printing direction or position will be adjusted and both sides of the paper printed so that the longer edge of the pages can be bound. This option is available only when the duplexer is installed on the printer.



`-Itray-input`

Specifies the paper tray.

A paper tray can be selected by directly specifying a tray or by specifying a paper size.

When a paper size is specified, the tray loaded with paper of the specified size will be found and selected automatically.

The parameters for selecting a paper tray are as follows:

1

Feed paper from tray 1 (top tray).

2

Feed paper from tray 2 (the second tray from the top).

3

Feed paper from tray 3 (the third tray from the top).

4

Feed paper from tray 4 (the fourth tray from the top).

5

Feed paper from tray 5 (the fifth tray from the top).

A4

Feed paper from the tray loaded with A4 (210 x 297 mm).

A5

Feed paper from the tray loaded with A5 (148 x 210 mm).

B5

Feed paper from the tray loaded with B5 (182 x 257 mm).

LT

Feed paper from the tray loaded with Letter (8.5 x 11 inches).

FL

Feed paper from the tray loaded with Folio (8.5 x 13 inches).

LG

Feed paper from the tray loaded with Legal (8.5 x 14 inches).

EX

Feed paper from the tray loaded with Executive (7.25 x 10.5 inches).

MO

Feed paper from the tray loaded with Monarch (3.875 x 7.5 inches).

COM10

Feed paper from the tray loaded with Envelope #10 (4.125 x 9.5 inches).

DL

Feed paper from the tray loaded with DL (110 x 220 mm).

C5

Feed paper from the tray loaded with C5 (162 x 229 mm).

MxNmm

Feed paper from the tray loaded with MxNmm defined by users.

Possible range specified:
Width: 76.2 to 215.9 mm
Length: 127.0 to 355.6 mm

MxNin

Feed paper from the tray loaded with MxN inches defined by users.

Possible range specified:
Width: 3.00 to 8.5 inches
Length: 5.00 to 14.0 inches

If this option is not specified or the tray specified is not available, feed paper from the default tray.

-t

Turns on the *save toner* mode for printing. The print result will be fainter than that of normal printing. In some cases, this option will be ignored.

-r

Rotates the image by 90° and uses the paper in the landscape orientation.

-n

Disables the addition of the showpage. It is used when files converted to the PostScript language program are merged with files created with other applications.

-l=*left, bottom*

Specifies the print position. Printing will be executed from the left and bottom of the page. The default is 0.25 inches for both left and bottom.

-s=*width, height*

Specifies the output size. Printing will be executed with the width and height in inches.

-S=*width*

Sets the width of the output size in inches. The height will be calculated automatically according to the width.

-E

This function turns on the image enhancement function. In some cases, this option will be ignored.

-Nc=*copies*

Specifies the number of output copies (the value of copies must be a positive integer).

-Cl

Specifies that printing be collated. If the copies option is not specified, this option will be ignored.

-Hd=*position:format*

Specifies the position to be output the user information as the header or footer.
position specifies output position. But this option is available only for converting text files.

ul

Output on the upper left corner of the paper.

ur

Output on the upper right corner of the paper.

dl

Output on the lower left corner of the paper.

dr

Output on the lower right corner of the paper.

format specifies the contents and the order to output. This option is omissible.

If this option is omitted, *uh* is specified as the default value.

u

User name

h

Host name

t

Date and time

If the output contents are specified as *tuh*, it is output as follows.

Date and Time User: *username* Host: *hostname*.

Specify these options as follows.

In the case that convert text file, output the host name following the user name on the upper right corner of the paper, output all pages.

(User name, Host name, all page output are default)

-Hd=*ur*

-Hd=*ur:uh*

-Hf *font*

Specify the font to print the header and footer. European fonts the same as half size alphanumeric fonts can be specified. Helvetica is specified as default.

If the wrong font is specified, default European font of the printer can be used.

If header/footer output option is specified, the font specification of header/footer is ignored.

-MSI

Specifies multipurpose feeder.

-M=*type*

Specifies multipurpose feeder Paper Type.

Available multipurpose feeder Paper Types are as follows:

B

FinePaper/Bond/Plain Paper 2

BB

FinePaperBack/Bond/Plain Paper 2 - Side 2

P

Stationery/Plain/Plain Paper 1

PB

StationeryBack/Plain/Plain Paper 1 - Side 2

R

Recycled Paper

RB

RecycledPaperBack/ Recycled Paper - Side 2

H1

ThickPaper/Heavyweight 1/Covers 1

H1B

ThickPaperBack/Heavyweight 1/Covers 1 - Side 2

H2

ThickPaper2/Heavyweight 2/Covers 2

H2B

ThickPaper2Back/Heavyweight 2/Covers 2 - Side 2

OHP

Transparency

L

LabelPaper/Labels

C2

Coated/Coated 2/Coated Paper 2

C2B

Coated Back/Coated 2/Coated Paper 2- Side 2

C3

Coated Thick/Coated 3/Coated Paper 3

C3B

Coated Thick Back/Coated 3/Coated Paper 3- Side 2

LH

Letterhead

E

Envelope

If this option is not specified, multipurpose feeder Paper Type of the printer can be used.

-Mfo=*mode*

Specifies orientation for multipurpose feeder.
Available orientations for multipurpose feeder are as follows:

le

Landscape

ler

Landscape (Rotated)

se

Portrait

ser

Portrait (Rotated)

-Pon

Specifies alternate tray.
Available alternate trays are as follows:

0

Use printer settings

1

Display message

2

Feed from multipurpose feeder

3

Use nearest size (Adjust to fit)

4

Use larger size (Adjust to fit)

5

Use nearest size (No zoom)

6

Use larger size (No zoom)

-St=*mode*

Specifies feed separators from.
Available feed separators from the following.

auto

AutoTray/Auto

1

1stTray/Tray 1 (Standard 550-sheet feeder)

2

2ndTray/Tray 2 (Optional 550-sheet feeder)

3

3rdTray/Tray 3 (Optional 550-sheet feeder)

4

4thTray/Tray 4 (Optional 1100-sheet feeder)

5

5thTray/Tray 5 (Optional 1100-sheet feeder)

msi

Multipurpose Feeder

off

Off

-*Sp*

Specifies printed separators.
Available only when the paper tray for separators is specified.

-*Sb*

Specifies Skip Blank Pages.

-*Cm=mode*

Specifies output color.
Available output colors are as follows:

c

Color (CMYK)

k

Black

-*Pr=mode*

Specifies print mode.
Available print modes are as follows:

hs

High Speed

hq

High Quality

hr

High Resolution

-*Cc=mode*

Specifies image types.
Available image types are as follows:

0

Off

1

Photo

2

Screen Display

3

Standard/ Normal

4

Business Graphics

This option is available only for color printing and when entry data is RGB data.

-*Gc=mode*

Specifies RGB gamma correction.
Available RGB gamma corrections are as follows:

1.0

1.0

1.4

1.4

1.8

1.8

2.2

2.2

2.6

2.6

off

Off

This option is available only for color printing and when entry data is RGB data.

-Sc=mode

Specifies screen.

Available screens are as follows:

0

Fineness

1

Standard

2

Auto

3

Gradation

-Gg=mode

Specifies gray guaranteed.

Available gray guaranteed options are as follows:

on

On

off

Off

This option is available only for color printing.

-Ct

Specifies color transformation.

This option is available only for color printing.

-Br=mode

Specifies brightness adjustment.

Available brightness adjustment option value are as follows:

+5

Bright 5

+4

Bright 4

+3

Bright 3

+2

Bright 2

- +1
Bright 1
- +0
Normal
- 1
Dark 1
- 2
Dark 2
- 3
Dark 3
- 4
Dark 4
- 5
Dark 5

`-RGBc=mode`

Specifies RGB color correction.

Available RGB color corrections are as follows:

- 10
Perceptual
- 11
Saturation
- 12
RelativeC
- 13
AbsoluteC

This option is available only for color printing and when entry data is RGB data.

`-RGBPr=mode`

Specifies RGB input profile.

Available RGB input profile option value are as follows:

- 0
sRGB
- 1
AdobeRGB

This option is available only for color printing and when entry data is RGB data.

`-RGBTp=mode`

Specifies RGB color temperature.

Available RGB color temperature option value are as follows:

- 5000
5000K
- 6000
6000K
- 9300
9300K

This option is available only when the optional output expander is installed.

-Lh=mode

Specifies letterhead duplex mode settings.

When letterhead duplex mode is enabled, a print sheet is always fed through duplex feeding path in a printer. As the result, a user can set sheets without caring about sheet orientation in an input slot.

Available Letterhead duplex mode values are as follows:

0
Off

1
On

2
Auto

-Tr=mode

Specifies trapping settings.

Available trapping option values are as follows:

0
Off

1
On

-Hld=PrintType:UserID:Password:DocumentName

Secure Print

PrintType

secure

Secure Print

private

Private MailBox Print

public

Public MailBox Print

proof

Proof Print

UserID

Up to eight single-byte characters from 0x20 to 0x7E, except 0x20 " " (blank) and 0x3A ":" (colon).

Password

Up to 12 single-byte characters from 0x30 to 0x39 (numeric characters).

DocumentName

Up to 12 single-byte characters from 0x20 to 0x7E, except 0x20 " " (blank) and 0x3A ":" (colon).

Secure Print

-Hld=secure:UserID:Password:DocumentName

-Hld=secure:UserID:Password:

Private MailBox Print

-Hld=private:UserID:Password:DocumentName

-Hld=private:UserID:Password:

Public MailBox Print

-Hld=public:UserID::DocumentName

-Hld=public:UserID::

Proof Print

-Hld=proof:UserID::DocumentName

-Hld=proof:UserID::



NOTICE: Make sure you specify Secure Print only when you directly print data to a printer. Secure Print may not be available if you specify it when data need to be printed through another server or data need to be handled by another program such as PostScript files. Collate is automatically specified when you specify Proof Print.

-Jown= jobownername: Password: jobgroupname Authentication Setting

Specifies job owner name, password and job group name for authentication.

- When only job owner name is specified (-Jown=jobownername:) (no password specified), authentication password is treated as not specified.
- When only password is specified (-Jown=:password) (no job owner name specified), login user name is used as job owner name. Entered password is used as authentication password.
- When neither of job owner name nor password is specified (-Jown=:), login user name is used as job owner name, and authentication password is treated as not specified.
- When a job owner name exceeds allowable character length, the extra characters are ignored.
- When an unacceptable character is entered to specify a job owner name, "UnknownUser" becomes the job owner name.



NOTE: Alphanumeric characters, including spaces and colons, and symbols can be entered to specify a job owner name.



NOTE: Up to 32 characters become the job owner name.

- When an unacceptable character is entered in a job group name, the job owner name is treated as not specified.



NOTE: Alphanumeric characters, including spaces and colons, and symbols can be entered to specify a job owner name.



NOTE: Up to 32 characters can be entered to specify a group name.

- When an unacceptable character is entered in a password, or when a specified password is not within the range of the allowable character length, the authentication password is treated as not specified.



NOTE: Acceptable password length is between 4 and 12 characters.

Incomplete form of -Jown option is treated as no authentication setting being made. In such case, if authentication setting is made with the environmental variable, it is used as setting information.

Example

To output the displayed screen image to a file using the snapshot command and convert the file into the PostScript language program using the `sunras2ps2` command, type as follows.

```
% sunras2ps2 file.rs > file.ps
```

To output the displayed screen image to a file using the snapshot command, convert the file into the PostScript language program using the `sunras2ps2` command and output it to a printer, type as follows.

```
% sunras2ps2 file.rs | lp
```

Important

- When `-s` and `-s` are specified at the same time or when the same option is specified twice, the later setting will prevail.

If the output size option (`-s`, `-S`) is not specified, scaling will be executed taking one pixel of the raster data as one pixel of the printer.

- If the print position option specifies a point beyond the printable area of the printer, data beyond the printable area will not be printed.

tiff2ps2 (Solaris/HP-UX)

Format

```
/usr/local/dellbin5130/tiff2ps2 [-d] [-D] [-Itray-input] [-t] [-r] [-n] [-l=left,bottom] [-s=width,height] [-S=width] [-E] [-Nc=copies] [-Cl] [-Hd=position:format] [-Hffont] [-MSI] [-M=type] [-Mfo=mode] [-Pon] [-St=mode] [-Sp] [-Sb] [-Cm=mode] [-Pr=mode] [-Cc=mode] [-Gc=mode] [-Sc=mode] [-Gg=mode] [-Ct] [-Br= mode] [-RGbc= mode] [-RGBPr= mode] [-RGBTp= mode] [-Cb=cyan-low:cyan-middle:cyanhigh:magenta-low:magenta-middle:magenta-high:yellow-low;yellow-middle:yellow high:black-low:black-middle:black-high] [-Sl=mode] [-Os=mode] [-Lh=mode] [-Tr=mode] [-Hld=PrintType:UserID:Password:DocumentName] [-Jown= jobownername:password:jobgroupname] [filename...]
```

Function

Reads TIFF data, converts it to the PostScript language program and writes to standard output. If the filename is not specified, the standard input will be taken as the command input. TIFF files with a pixel depth of 1, 4, 8, 24, and 32 bits can be specified.

There are four types of supported compression formats.

Huffman compression (CCITT Group 3 transformed Huffman run length encoding)

Fax-CCITT3 compression (facsimile-compatible CCITT Group 3)

PackBits compression

Non-compression

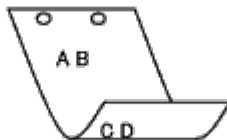
Even in the above compression format, the TIFF file that has multiple images in one file is not supported.

tiff2ps2 takes filename as having been created in 72 dpi and calculates the output size. Thus, to convert TIFF files created in other resolutions, specify the size option (`-s`, `-S`) explicitly for conversion.

Option

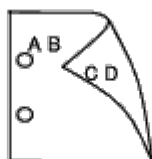
`-d`

Enables the short-edge binding feature. When it is specified, the printing direction or position will be adjusted and both sides of the paper printed so that the shorter edge of the pages can be bound.



`-D`

Enables the long-edge binding feature. When it is specified, the printing direction or position will be adjusted and both sides of the paper printed so that the longer edge of the pages can be bound. This option is available only when the duplexer is installed on the printer.



`-Itray-input`

Specifies the paper tray.

A paper tray can be selected by directly specifying a tray or by specifying a paper size.

When a paper size is specified, the tray loaded with paper of the specified size will be found and selected automatically.

The parameters for selecting a paper tray are as follows:

1

Feed paper from tray 1 (top tray).

2

Feed paper from tray 2 (the second tray from the top).

3

Feed paper from tray 3 (the third tray from the top).

4

Feed paper from tray 4 (the fourth tray from the top).

5

Feed paper from tray 5 (the fifth tray from the top).

A4

Feed paper from the tray loaded with A4 (210 x 297 mm).

A5

Feed paper from the tray loaded with A5 (148 x 210 mm).

B5

Feed paper from the tray loaded with B5 (182 x 257 mm).

LT

Feed paper from the tray loaded with Letter (8.5 x 11 inches).

FL

Feed paper from the tray loaded with Folio (8.5 x 13 inches).

LG

Feed paper from the tray loaded with Legal (8.5 x 14 inches).

EX

Feed paper from the tray loaded with Executive (7.25 x 10.5 inches).

MO

Feed paper from the tray loaded with Monarch (3.875 x 7.5 inches).

COM10

Feed paper from the tray loaded with Envelope #10 (4.125 x 9.5 inches).

DL

Feed paper from the tray loaded with DL (110 x 220 mm).

C5

Feed paper from the tray loaded with C5 (162 x 229 mm).

MxNmm

Feed paper from the tray loaded with *MxNmm* defined by users

Possible range specified:

Width: 76.2 to 215.9 mm

Length: 127.0 to 355.6 mm

MxNin

Feed paper from the tray loaded with *MxNinches* defined by users

Possible range specified:

Width: 3.00 to 8.5 inches

Length: 5.00 to 14.0 inches

If this option is not specified or the tray specified is not available, feed paper from the default tray.

-t

Turns on the *save toner* mode for printing. The print result will be fainter than that of normal printing. In some cases, this option will be ignored.

-r

Rotates the image by 90° and uses the paper in the landscape orientation.

-n

Disables the addition of the showpage. It is used when files converted to the PostScript language program are merged with files created with other applications.

-l=*left, bottom*

Specifies the print position. Printing will be executed from the left and bottom of the page. The default is 0.25 inches for both left and bottom.

-s=*width, height*

Specifies the output size. Printing will be executed with the width and height in inches.

-S=*width*

Sets the width of the output size in inches. The height will be calculated automatically according to the width.

-E

This function turns on the image enhancement function. In some cases, this option will be ignored.

-Nc=*copies*

Specifies the number of output copies (the value of copies must be a positive integer).

-C1

Specifies that printing be collated. If the copies option is not specified, this option will be ignored.

-Hd=*position:format*

Specifies the position to be output the user information as the header or footer.
position specifies output position. But this option is available only for converting text files.

ul

Output on the upper left corner of the paper.

ur

Output on the upper right corner of the paper.

dl

Output on the lower left corner of the paper.

dr

Output on the lower right corner of the paper.

format specifies the contents and the order to output. This option is omissible.
If this option is omitted, *uh* is specified as the default value.

u

User name

h

Host name

t

Date and time

If the output contents are specified as *tuh*, it is output as follows.
Date and Time User: *username* Host: *hostname*.

Specify these options as follows.

In the case that convert text file, output the host name following the user name on the upper right corner of the paper, output all pages.

(User name, Host name, all page output are default)

-Hd=ur
-Hd=ur:uh

-Hf font

Specify the font to print header and footer. European fonts the same as half size alphanumeric fonts can be specified. Helvetica is specified as default.

If the wrong font is specified, default European font of the printer can be used.

If header/footer output option is specified, the font specification of header/footer is ignored.

-MSI

Specifies multipurpose feeder.

-M= type

Specifies multipurpose feeder Paper Type.

Available multipurpose feeder Paper Types are as follows:

B

FinePaper/Bond/Plain Paper 2

BB

FinePaperBack/Bond/Plain Paper 2 - Side 2

P

Stationery/Plain/Plain Paper 1

PB

StationeryBack/Plain/Plain Paper 1 - Side 2

R

Recycled Paper

RB

RecycledPaperBack/ Recycled Paper - Side 2

H1

ThickPaper/Heavyweight 1/Covers 1

H1B

ThickPaperBack/Heavyweight 1/Covers 1 - Side 2

H2

ThickPaper2/Heavyweight 2/Covers 2

H2B

ThickPaper2Back/Heavyweight 2/Covers 2 - Side 2

OHP

Transparency

L

LabelPaper/Labels

C2

Coated/Coated 2/Coated Paper 2

C2B

Coated Back/Coated 2/Coated Paper 2- Side 2

C3

Coated Thick/Coated 3/Coated Paper 3

C3B

Coated Thick Back/Coated 3/Coated Paper 3- Side 2

LH

Letterhead

E

Envelope

If this option is not specified, multipurpose feeder Paper Type of the printer can be used.

-Mfo=*mode*

Specifies orientation for multipurpose feeder.
Available orientations for multipurpose feeder are as follows:

le

Landscape

ler

Landscape (Rotated)

se

Portrait

ser

Portrait (Rotated)

-Pon

Specifies alternate tray.
Available alternate trays are follows.

0

Use printer settings

1

Display message

2

Feed from multipurpose feeder

3

Use nearest size (Adjust to fit)

4

Use larger size (Adjust to fit)

5

Use nearest size (No zoom)

6

Use larger size (No zoom)

-St=*mode*

Specifies feed separators from.
Available feed separators from the following.

auto

AutoTray/Auto

1

1stTray/Tray 1 (Standard 550-sheet feeder)

2

2ndTray/Tray 2 (Optional 550-sheet feeder)

3

3rdTray/Tray 3 (Optional 550-sheet feeder)

4

4thTray/Tray 4 (Optional 1100-sheet feeder)

5

5thTray/Tray 5 (Optional 1100-sheet feeder)

msi

Multipurpose Feeder

off

Off

-Sp

Specifies printed separators.
Available only when the paper tray for separators is specified.

-Sb

Specifies Skip Blank Pages.

-Cm=mode

Specifies output color.
Available output colors are as follows:

c

Color (CMYK)

k

Black

-Pr=mode

Specifies print mode.
Available print modes are as follows:

hs

High Speed

hq

High Quality

hr

High Resolution

-Cc=mode

Specifies image types.
Available image types are as follows:

0

Off

1

Photo

2

Screen Display

3

Standard/ Normal

4

Business Graphics

This option is available only for color printing and when entry data is RGB data.

-Gc=mode

Specifies RGB gamma correction.
Available RGB gamma corrections are as follows:

1.0

1.0

1.4

1.4

1.8

1.8

2.2

2.2

2.6

2.6

off

Off

This option is available only for color printing and when entry data is RGB data.

-Sc=mode

Specifies screen.

Available screens are as follows:

0

Fineness

1

Standard

2

Auto

3

Gradation

-Gg=mode

Specifies gray guaranteed.

Available gray guaranteed options are as follows:

on

On

off

Off

This option is available only for color printing.

-Ct

Specifies color transformation.

This option is available only for color printing.

-Br=mode

Specifies brightness adjustment.

Available brightness adjustment option values are as follows:

+5

Bright 5

+4

Bright 4

+3

Bright 3

+2

Bright 2
+1
Bright 1
+0
Normal
-1
Dark 1
-2
Dark 2
-3
Dark 3
-4
Dark 4
-5
Dark 5

`-RGBc=mode`

Specifies RGB color correction.

Available RGB color corrections are as follows:

10
Perceptual
11
Saturation
12
RelativeC
13
AbsoluteC

This option is available only for color printing and when entry data is RGB data.

`-RGBPr=mode`

Specifies RGB input profile.

Available RGB input profile option value are as follows:

0
sRGB
1
AdobeRGB

This option is available only for color printing and when entry data is RGB data.

`-RGBTp=mode`

Specifies RGB color temperature.

Available RGB color temperature option value are as follows:

5000
5000K
6000
6000K
9300

9300K

This option is available only for color printing and when entry data is RGB data.

`-Cb=cyan-low:cyan-middle:cyan-high:magenta-low:magenta-middle:magenta-high:yellow-low:yellow-middle:yellow-high:black-low:black-middle:black-high`

Specifies adjustment value for color balance of each color/density.

Available adjustment values are as follows:

+3
Dark 3
+2
Dark 2
+1
Dark 1
0
Normal
-1
Light 1
-2
Light 2
-3
Light 3
-Cb

Option value must be specified in the following order:

Cyan low density, Cyan medium density, Cyan high density, Magenta low density, Magenta medium density, Magenta high density, Yellow low density, Yellow medium density, Yellow high density, Black low density, Black medium density, Black high density

If no value is specified, it is treated as "0"(Normal).

For example, if you want to specify "Light 2" for Cyan medium density, "Dark 3" for Yellow high density, and "Dark 2" for Black low density, it can be specified using either of the following:

`-Cb=0:-2:0:0:0:0:0:0:0:+3:+2:0:0`

`-Cb=-2:.....+3:+2::`

`-S1=mode`

Specifies staple settings.

Available staple option values are as follows:

0
Off
1
On

This option is available only when the optional output expander is installed.

`-Os=mode`

Specifies offset settings.

Available offset option values are as follows:

0
Auto
1
Offset per Set (Offsets each copy before printing the next copy.)
2
Offset per Job (Offsets each copy per paper job you specify.)

This option is available only when the optional output expander is installed.

-Lh=mode

Specifies letterhead duplex mode settings.

When letterhead duplex mode is enabled, a print sheet is always fed through duplex feeding path in a printer. As the result, a user can set sheets without caring about sheet orientation in an input slot.

Available Letterhead duplex mode values are as follows:

0
Off

1
On

2
Auto

-Tr=mode

Specifies trapping settings.

Available trapping option values are as follows:

0
Off

1
On

-Hld=PrintType:UserID:Password:DocumentName

Secure Print

PrintType

secure

Secure Print

private

Private MailBox Print

public

Public MailBox Print

proof

Proof Print

UserID

Up to eight single-byte characters from 0x20 to 0x7E, except 0x20 " " (blank) and 0x3A ":" (colon).

Password

Up to 12 single-byte characters from 0x30 to 0x39 (numeric characters).

DocumentName

Up to 12 single-byte characters from 0x20 to 0x7E, except 0x20 " " (blank) and 0x3A ":" (colon).

Secure Print

-Hld=secure:UserID:Password:DocumentName

-Hld=secure:UserID:Password:

Private MailBox Print

-Hld=private:UserID:Password:DocumentName

-Hld=private:UserID:Password:

Public MailBox Print


-Hld=public:UserID::DocumentName

-Hld=public:UserID::

Proof Print

-Hld=proof:UserID::DocumentName


-Hld=proof:UserID:


 **NOTICE:** Make sure you specify Secure Print only when you directly print data to a printer. Secure Print may not be available if you specify it when data need to be printed through another server or data need to be handled by another program such as PostScript files. Collate is automatically specified when you specify Proof Print.

-Jown= jobownername: Password: jobgroupname Authentication Setting


Specifies job owner name, password and job group name for authentication.


- When only job owner name is specified (-Jown=jobownername:) (no password specified), authentication password is treated as not specified.
- When only password is specified (-Jown=:password) (no job owner name specified), login user name is used as job owner name. Entered password is used as authentication password.
- When neither of job owner name nor password is specified (-Jown=:), login user name is used as job owner name, and authentication password is treated as not specified.
- When a job owner name exceeds allowable character length, the extra characters are ignored.
- When an unacceptable character is entered for a job owner name, "UnknownUser" becomes the job owner name.

 **NOTE:** Alphanumeric characters, including spaces and colons, and symbols can be entered to specify a job owner name.

 **NOTE:** Up to 32 characters can be entered to specify a job owner name.

- When an unacceptable character is entered in a job group name, the job owner name is treated as not specified.

 **NOTE:** Alphanumeric characters, including spaces and colons, and symbols can be entered to specify a job owner name.

 **NOTE:** Up to 32 characters can be entered to specify a group name.

- When an unacceptable character is entered in a password, or when a specified password is not within the range of the allowable character length, the authentication password is treated as not specified.

 **NOTE:** Acceptable password length is between 4 and 12 characters.

Incomplete form of -Jown option is treated as no authentication setting being made. In such case, if authentication setting is made with the environmental variable, it is used as setting information.

Example

To convert the TIFF image into the PostScript language program and output it to a file, type as follows.

```
% tiff2ps2 file.tiff > file1.ps
```

To output the TIFF image to a printer, type as follows.

```
% tiff2ps2 file.tiff | lp
```

Important

- When -s and -s are specified at the same time or when the same option is specified twice, the later setting will prevail.
- When the output size option (-s, -s) is not specified, scaling will be executed taking one pixel of the TIFF data as one pixel of the printer.

- If the print position option (`-l` *left bottom*) specifies a point beyond the printable area of the printer, data beyond the printable area will not be printed.

xwd2ps2 (Solaris/HP-UX)

Format

```
/usr/local/dellbin5130/xwd2ps2 [-d] [-D] [-Itray-input] [-t] [-r] [-n] [-l=left,bottom] [-s=width,height] [-S=width] [-E] [-Nc=copies] [-Cl] [-Hd=position:format] [-Hffont] [-MSI] [-M=type] [-Mfo=mode] [-Pon] [-St=mode] [-Sp] [-Sb] [-Cm=mode] [-Pr=mode] [-Cc=mode] [-Gc=mode] [-Sc=mode] [-Gg=mode] [-Ct] [-Br=mode] [-RGbc=mode] [-RGBPr=mode] [-RGBTp=mode] [-Cb=cyan-low:cyan-middle:cyan-high:magenta-low:magenta-middle:magenta-high:yellow-low:yellow-middle:yellow-high:black-low:black-middle:black-high] [-Sl=mode] [-Os=mode] [-Lh=mode] [-Tr=mode] [-Hld=PrintType:UserID:Password:DocumentName] [-Jown= jobownername:password:jobgroupname] [filename...]
```

Function

Reads XWD data, converts it to the PostScript language program and writes to standard output. If the filename is not specified, the standard input will be taken as the command input. XWD files with a pixel depth of 1, 4, 8, 24, and 32 bits can be specified.

There are three types of supported compression formats.

The visual class is Static Gray and the pixel is 1 bit.

The visual class is Pseudo Color and the pixel is 4 bits or 8 bit. The image format is Zpixmap.

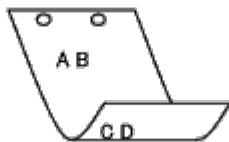
The visual class is True Color and the pixel is 24 bits or 32 bit. The image format is Zpixmap.

xwd2ps2 takes filename as having been created in 72dpi and calculates the output size. Thus, to convert XWD files created in other resolutions, specify the size option (`-s`, `-s`) explicitly for conversion.

Option

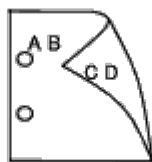
`-d`

Enables the short-edge binding feature. When it is specified, the printing direction or position will be adjusted and both sides of the paper printed so that the shorter edge of the pages can be bound.



`-D`

Enables the long-edge binding feature. When it is specified, the printing direction or position will be adjusted and both sides of the paper printed so that the longer edge of the pages can be bound.



`-Itray-input`

Specifies the paper tray.

A paper tray can be selected by directly specifying a tray or by specifying a paper size.

When a paper size is specified, the tray loaded with paper of the specified size will be found and selected automatically.

The parameters for selecting a paper tray are as follows:

1

Feed paper from tray 1 (top tray).

2

Feed paper from tray 2 (the second tray from the top).

3

Feed paper from tray 3 (the third tray from the top).

4

Feed paper from tray 4 (the fourth tray from the top).

5

Feed paper from tray 5 (the fifth tray from the top).

A4

Feed paper from the tray loaded with A4 (210 x 297 mm).

A5

Feed paper from the tray loaded with A5 (148 x 210 mm).

B5

Feed paper from the tray loaded with B5 (182 x 257 mm).

LT

Feed paper from the tray loaded with Letter (8.5 x 11 inches).

FL

Feed paper from the tray loaded with Folio (8.5 x 13 inches).

LG

Feed paper from the tray loaded with Legal (8.5 x 14 inches).

EX

Feed paper from the tray loaded with Executive (7.25 x 10.5 inches).

MO

Feed paper from the tray loaded with Monarch (3.875 x 7.5 inches).

COM10

Feed paper from the tray loaded with Envelope #10 (4.125 x 9.5 inches).

DL

Feed paper from the tray loaded with DL (110 x 220 mm).

C5

Feed paper from the tray loaded with C5 (162 x 229 mm).

MxNmm

Feed paper from the tray loaded with MxN mm defined by users.

Possible range specified:

Width: 76.2 to 215.9 mm

Length: 127.0 to 355.6 mm

MxNin

Feed paper from the tray loaded with MxNinches defined by users

Possible range specified:

Width: 3.00 to 8.5 inches

Length: 5.00 to 14.0 inches

If this option is not specified or the tray specified is not available, feed paper from the default tray.

-t

Turns on the *save toner* mode for printing. The print result will be fainter than that of normal printing. In some cases, this option will be ignored.

-r

Rotates the image by 90° and uses the paper in the landscape orientation

-n

Disables the addition of the showpage. It is used when files converted to the PostScript language program are merged with files created with other applications.

`-l=left,bottom`

Specifies the print position. Printing will be executed from the left and bottom of the page. The default is 0.25 inches for both left and bottom.

`-s=width,height`

Specifies the output size. Printing will be executed with the width and height in inches.

`-S=width`

Sets the width of the output size in inches. The height will be calculated automatically according to the width.

`-E`

This function turns on the image enhancement function. In some cases, this option will be ignored.

`-Nc=copies`

Specifies the number of output copies (the value of copies must be a positive integer).

`-Cl`

Specifies that printing be collated. If the copies option is not specified, this option will be ignored.

`-Hd=position:format`

Specifies the position to be output the user information as the header or footer. *position* specifies output position. But this option is available only for converting text files.

`ul`

Output on the upper left corner of the paper.

`ur`

Output on the upper right corner of the paper.

`dl`

Output on the lower left corner of the paper.

`dr`

Output on the lower right corner of the paper.

format specifies the contents and the order to output. This option is omissible. If this option is omitted, `uh` is specified as the default value.

`u`

User name

`h`

Host name

`t`

Date and time

If the output contents are specified as `tuh`, it is output as follows.

Date and Time User: *username* Host: *hostname*.

`-Hf font`

Specify the font to print header and footer. European fonts the same as half size alphanumeric fonts can be specified. Helvetica is specified as default.

If the wrong font is specified, default European font of the printer can be used.

If header/footer output option is specified, the font specification of header/footer is ignored.

`-MSI`

Specifies multipurpose feeder.

`-M= type`

Specifies multipurpose feeder Paper Type.

Available multipurpose feeder Paper Types are as follows:

`B`

FinePaper/Bond/Plain Paper 2

BB

FinePaperBack/Bond/Plain Paper 2 - Side 2

P

Stationery/Plain/Plain Paper 1

PB

StationeryBack/Plain/Plain Paper 1 - Side 2

R

Recycled Paper

RB

RecycledPaperBack/ Recycled Paper - Side 2

H1

ThickPaper/Heavyweight 1/Covers 1

H1B

ThickPaperBack/Heavyweight 1/Covers 1 - Side 2

H2

ThickPaper2/Heavyweight 2/Covers 2

H2B

ThickPaper2Back/Heavyweight 2/Covers 2 - Side 2

OHP

Transparency

L

LabelPaper/Labels

C2

Coated/Coated 2/Coated Paper 2

C2B

Coated Back/Coated 2/Coated Paper 2- Side 2

C3

Coated Thick/Coated 3/Coated Paper 3

C3B

Coated Thick Back/Coated 3/Coated Paper 3- Side 2

LH

Letterhead

E

Envelope

If this option is not specified, multipurpose feeder Paper Type of the printer can be used.

-Mfo=*mode*

Specifies orientation for multipurpose feeder.
Available orientations for multipurpose feeder are as follows:

le

Landscape

ler

Landscape (Rotated)

se

Portrait

ser

Portrait (Rotated)

-Pon

Specifies alternate tray.
Available alternate trays are as follows:

0

Use printer settings

1

Display message

2

Feed from multipurpose feeder

3

Use nearest size (Adjust to fit)

4

Use larger size (Adjust to fit)

5

Use nearest size (No zoom)

6

Use larger size (No zoom)

-St=mode

Specifies feed separators from.
Available feed separators from the following.

auto

AutoTray/Auto

1

1stTray/Tray 1 (Standard 550-sheet feeder)

2

2ndTray/Tray 2 (Optional 550-sheet feeder)

3

3rdTray/Tray 3 (Optional 550-sheet feeder)

4

4thTray/Tray 4 (Optional 1100-sheet feeder)

5

5thTray/Tray 5 (Optional 1100-sheet feeder)

msi

Multipurpose Feeder

off

Off

-Sp

Specifies printed separators.
Available only when the paper tray for separators is specified.

-Sb

Specifies Skip Blank Pages.

-Cm=mode

Specifies output color.
Available output colors are as follows:

c
Color (CMYK)

k
Black

-Pr=mode

Specifies print mode.
Available print modes are as follows:

hs
High Speed

hq
High Quality

hr
High Resolution

-Cc=mode

Specifies image types.
Available image types are as follows:

0
Off

1
Photo

2
Screen Display

3
Standard/ Normal

4
Business Graphics

This option is available only for color printing and when entry data is RGB data.

-Gc=mode

Specifies RGB gamma correction.
Available RGB gamma corrections are as follows:

1.0
1.0

1.4
1.4

1.8
1.8

2.2
2.2

2.6
2.6

off
Off

This option is available only for color printing and when entry data is RGB data.

`-Sc=mode`

Specifies screen.

Available screens are as follows:

0

Fineness

1

Standard

2

Auto

3

Gradation

`-Gg=mode`

Specifies gray guaranteed.

Available gray guaranteed options are as follows:

on

On

off

Off

This option is available only for color printing.

`-Ct`

Specifies color transformation.

This option is available only for color printing.

`-Br=mode`

Specifies brightness adjustment.

Available brightness adjustment option values are as follows:

+5

Bright 5

+4

Bright 4

+3

Bright 3

+2

Bright 2

+1

Bright 1

+0

Normal

-1

Dark 1

-2

Dark 2

-3

Dark 3

-4

Dark 4

-5

Dark 5

-RGBc=mode

Specifies RGB color correction.

Available RGB color corrections are as follows:

10

Perceptual

11

Saturation

12

RelativeC

13

AbsoluteC

This option is available only for color printing and when entry data is RGB data.

-RGBPr=mode

Specifies RGB input profile.

Available RGB input profile option value are as follows:

0

sRGB

1

AdobeRGB

This option is available only for color printing and when entry data is RGB data.

-RGBTp=mode

Specifies RGB color temperature.

Available RGB color temperature option value are as follows:

5000

5000K

6000

6000K

9300

9300K

This option is available only for color printing and when entry data is RGB data.

-Cb=cyan-low:cyan-middle:cyan-high:magenta-low:magenta-middle:magenta-high:yellow-low:yellow-middle:yellow-high:black-low:black-middle:black-high

Specifies adjustment value for color balance of each color/density.

Available adjustment values are as follows:

+3

Dark 3

+2

Dark 2

+1

`-Tr=mode`

Specifies trapping settings.

Available trapping option values are as follows:

0
Off
1
On

`-Hld=PrintType:UserID:Password:DocumentName`

Secure Print

PrintType

secure

Secure Print

private

Private MailBox Print

public

Public MailBox Print

proof

Proof Print

UserID

Up to eight single-byte characters from 0x20 to 0x7E, except 0x20 " " (blank) and 0x3A ":" (colon).

Password

Up to 12 single-byte characters from 0x30 to 0x39 (numeric characters).

DocumentName

Up to 12 single-byte characters from 0x20 to 0x7E, except 0x20 " " (blank) and 0x3A ":" (colon).

Secure Print

`-Hld=store:UserID:Password:DocumentName`

`-Hld=store:UserID:Password:`

Private MailBox Print

`-Hld=private:UserID:Password:DocumentName`

`-Hld=private:UserID:Password:`

Public MailBox Print

`-Hld=public:UserID::DocumentName`

`-Hld=public:UserID::`

Proof Print

`-Hld=proof:UserID::DocumentName`

`-Hld=proof:UserID::`




NOTICE: Make sure you specify Secure Print only when you directly print data to a printer. Secure Print may not be available if you specify it when data need to be printed through another server or data need to be handled by another program such as PostScript files. Collate is automatically specified when you specify Proof Print.

`-Jown= jobownername: Password: jobgroupname Authentication Setting`

Specifies job owner name, password, and job group name for authentication.


- When only job owner name is specified (`-Jown=jobownername:`) (no password specified), authentication password is treated as not specified.
- When only password is specified (`-Jown=:password`) (no job owner name specified), login user name is used as job owner name. Entered password is used as authentication password.


- When neither of job owner name nor password is specified (-Jown=:), login user name is used as job owner name, and authentication password is treated as not specified.
- When a job owner name exceeds allowable character length, the extra characters are ignored.
- When an unacceptable character is entered to specify a job owner name, "UnknownUser" becomes the job owner name.

 **NOTE:** Characters acceptable for job owner name are alphanumeric characters and symbols, except for space and colon.

 **NOTE:** Up to 32 characters become the job owner name.

- When an unacceptable character is entered in a job group name, the job owner name is treated as not specified.

 **NOTE:** Alphanumeric characters, including spaces and colons, and symbols can be entered to specify a job owner name.

 **NOTE:** Up to 32 characters can be entered to specify a group name.

- When an unacceptable character is entered in a password, or when a specified password is not within the range of the allowable character length, the authentication password is treated as not specified.

 **NOTE:** Acceptable password length is between 4 and 12 characters.

Incomplete form of -Jown option is treated as no authentication setting being made. In such case, if authentication setting is made with the environmental variable, it is used as setting information.

Example

To convert the XWD image into the PostScript language program and output it to a file, type as follows.

```
% xwd2ps2 file.xwd > file.ps
```

To output the XWD image to a printer, type as follows.

```
% xwd2ps2 file.xwd | lp
```

Important

- When -s and -s are specified at the same time or when the same option is specified twice, the later setting will prevail.
- When the output size option (-s, -s) is not specified, scaling will be executed taking one pixel of the TIFF data as one pixel of the printer.
- If the print position option (-l*left bottom*) specifies a point beyond the printable area of the printer, data beyond the printable area will not be printed.

Precautions and Limitations

During Installation

Pay attention to the following points during the installation.

Solaris

- Use `lpadmin` command to register the default printer.

```
# lpadmin -d PrinterName
```

- To inhibit the banner sheets output, change the value of `nobanner=no` to `nobanner=yes` that includes in the file corresponding to the printer name in `/etc/lp/interfaces/`.
- The printer registered by UX filter must not be changed by `admintool`.
- When `Content types: postscript` is displayed by typing `lpstat -p printername -l`, it's necessary to delete the printer and reinstall.
- To install UX filter into the default directory (`/usr/local/dellbin5130`), it's necessary to create `/usr/local` directory in advance.

HP-UX

- The printer to specify as an output printer must be registered in your system. To register an output printer, use `sam` command and so on. See the HP-UX related manual for details.
- To install UX filter into the default directory (`/usr/local/dellbin5130`), it's necessary to create `/usr/local` directory in advance.

During Printing

Pay attention to the following points during printing.

Using `lp/lpr` Command (Solaris/HP-UX)

- If an option is specified incorrectly, no error message will be output. If printing is not executed after the `lp` command is executed, activate each utility individually and error messages will be output. (Using Solaris, the error message is displayed on the screen.)
- In text printing, the environmental variable `TXT2PS2OPTION` will be ignored.
- In text printing, if a BS code is found at the beginning of a line, the print position of the next character will be on the left of the beginning of the line.
- In text printing, when there are multiple tab codes in one line, the positions of tab may be off due to automatic line feed. If this happens, specify `l` or `w` option.
- In text printing, the number of columns specified by the `w` option does not reflect the number of characters actually printed. The actual number of single-byte characters to be printed is derived by deducting the output column position (out columns) specified by the `o` option from the number of columns specified by the `w` option.
- If the same option is specified, or if `s`, `s` are both specified, the one specified later will prevail.
- In printing images, If the print position option (`l`) specifies an area beyond the printable area of the printer, data beyond the printable area will not be printed. (Using Solaris, it's impossible to output images by `lp` command.)

Using `txt2ps2` (Solaris/HP-UX)

- When the same option is specified twice, the later setting will prevail. As `TXT2PS2OPTION` is analyzed before the option of the command line, it is possible to temporarily modify the options already set in `TXT2PS2OPTION` by inputting at the command line
- The default output of `txt2ps2` cannot output the comment description (`%page:m n`) of the page number. This is because the converted PostScript language program controls line feed and form feed. Thus, when the output of `txt2ps2` is to be taken as the output of another application (psrev of `TRANSCRIPT`, etc.), add the page number

description by inserting the line command (`-l lines`).

- If a BS code is found at the beginning of a line, the print position of the next character will be on the left of the beginning of a line.
- When there are multiple tab codes in one line, the positions of tab may be off due to automatic line feed. If this happens, specify the `-l` or `-w` option.
- The number of columns specified by the `-w` option does not reflect the number of characters actually printed. The actual number of single-byte characters to be printed is derived by deducting the output column position (out columns) specified by the `o` option from the number of columns specified by the `w` option.
- The `-mg` option cannot be specified when `-w`, `-l`, `-o`, and `-L` option are specified.
- The start positions of margins of the margin command (`-mg=u:b:r:l`) are not set against the edge of paper. The margins are set against the printable area for paper allowed by the printer.
- Use the `-ps` option only when a PostScript file that contains no `%!` at the beginning of the file is used as the PostScript file. If a normal text file is input, it will not function correctly.
- To use the same options as those of the `dellpsif` filter by `TEXT2PS2OPTION`, set the user's home directory in the environmental variable `HOME`. If the environmental variable `HOME` is not set up, the same options as those of the `dellpsif` filter cannot be used. (Linux)

Using `sunras2ps2/tiff2ps2/xwd2ps2` (`sunras2ps2` apply to Solaris only)

- If the same option is specified, or if `s`, `S` are both specified, the one specified later will prevail.
- If the size option (`s`, `S`) is not specified, scaling will be executed taking one pixel of the image data as one pixel of the printer.
- If the print position option (`-l` left bottom) specifies a point beyond the printable area of the printer, data beyond the printable area will not be printed.

Using `tiff2ps2` (Solaris/HP-UX)

- There are four types of supported compression formats.
Huffman compression (CCITT Group 3 transformed Huffman run length encoding)
Fax-CCITT3 compression (facsimile-compatible CCITT Group 3)
PackBits compression
Non-compression

Even if the format is a supported format, the tiff that has multiple images in one file is not supported.

Using `xwd2ps2` (Solaris/ HP-UX)

- There are three types of supported compression formats.
The visual class is Static Gray and the pixel is 1 bit.
The visual class is Pseudo Color and the pixel is 4 bits or 8 bit. The image format is Zpixmap.
The visual class is True Color and the pixel is 24 bits. The image format is Zpixmap.

Printing PostScript Files (Solaris/ HP-UX)

- If same options for the PostScript file that contains options, such as paper size, are specified using `dellpsif` (Linux) or the `lp` command (Solaris/HP-UX), the specified option will be ignored.

Printing Image Files (Solaris)

- To print image files from Solaris the user cannot specify the image file directly with the lp command for printing. Make use of sunras2ps2, tiff2ps2, xwd2ps2 and convert the file to a PostScript file. Output it using the lp command after the conversion.

```
% xwd2ps2 file.xwd | lp
```

Header/footer Option (-Hd=position:format:page, -Hfheaderfont) (txt2ps2,sunras2ps2,tiff2ps2,xwd2ps2)

- If the paper size is not specified when using options, it outputs the header/footer at the position of A4-size paper. To specify the paper size at the same time to use header/footer option. (If the paper size for the PostScript file converted by using the option is specified by the option of lp command for example, the position of the header and footer cannot be changed.)
- The margin is specified automatically when the option is used. When the option to specify the margin is used at the same time, the value that is smaller than the value specified automatically as follows is ignored.
In case of text files

Upper margin: 0.23 inch
Lower margin: 0.06 inch
Right margin: 0.03 inch
Left margin: 0.09 inch

In case of images

Lower margin: 0.3 inch

- When using the option, the number of lines and the number of columns specified are ignored. Also, it is impossible to specify landscape and 2-column.
- In case of the PostScript file, it happens that the printer doesn't output all pages despite that *output all page* is specified. In such a case, specify *print the only top page*.
- It's impossible to use lp command in Solaris.

TBCPFilter (Solaris/HP-UX)

- Make sure the TBCPFilter is available so the printer can specify the availability of the TBCPFilter.

As for libtiff

Copyright © 1988-1997 Sam Leffler

Copyright © 1991-1997 Silicon Graphics, Inc.

THE SOFTWARE IS PROVIDED "AS-IS" AND WITHOUT WARRANTY OF ANY KIND, EXPRESS, IMPLIED OR OTHERWISE, INCLUDING WITHOUT LIMITATION, ANY WARRANTY OF MERCHANTABILITY OR FITNESS FOR A PARTICULAR PURPOSE.

IN NO EVENT SHALL SAM LEFFLER OR SILICON GRAGHICS BE LIABLE FOR ANY SPECIAL, INCIDENTAL, INDIRECT OR CONSEQUENTIAL DAMAGES OF ANY KIND, OR ANY DAMAGES WHATSOEVER RESULTING FROM LOSS OF USE, DATA OR PROFITS, WHETHER OR NOT ADVISED OF THE POSSIBILITY OF DAMAGE, AND ON ANY THEORY OF LIABILITY, ARISING OUT OF OR IN CONNECTION WITH THE USE OR PERFORMANCE OF THIS SOFTWARE.

[Back to Contents Page](#)

Printing With CUPS (Linux)

- [Operation on Turbolinux FUJI or RedHat Enterprise Linux ES 4.0/RedHat Enterprise Linux 5.0 Desktop](#)
- [Operation on SUSE Linux Enterprise Desktop 10](#)

This section provides information for printing or setting up the printer driver with CUPS (Common UNIX Printing System) on Turbolinux FUJI, RedHat Enterprise Linux ES 4.0/RedHat Enterprise Linux 5.0 Desktop or SUSE Linux Enterprise Desktop 10.

Operation on Turbolinux FUJI or RedHat Enterprise Linux ES 4.0/RedHat Enterprise Linux 5.0 Desktop

Setup Overview

Turbolinux FUJI or RedHat Enterprise Linux ES 4.0/RedHat Enterprise Linux 5.0 Desktop:

1. Install the printer driver.
2. Set up the print queue.
3. Specify the default queue.
4. Specify the printing options.

Installing the Printer Driver

1. Double-click **Dell-5130cdn-Color-Laser-x.x-x.noarch.rpm** in the *Drivers and Utilities* CD.
2. Type the administrator's password.
3. Click **Continue** in the **Completed System Preparation** window.

Installation starts. When the installation is complete, the window is automatically closed.

Setting Up the Queue

To execute printing, you must set up the print queue on your workstation.

1. Open the URL "http://localhost:631" using a web browser.
2. Click **Administration**.
3. Type `root` as the user name, and type the ROOT password as the password.
4. Click **Add Printer**.
5. Type the printer's name in the **Name** box in the **Add New Printer** window, and then click **Continue**.

The **Location** and **Description** do not have to be specified.

6. Select **LPD/LPR Host or Printer** from **Device** menu, and then click **Continue**.
7. Type the printer's IP address in **Device URI**.

Format: `lpd://xxx.xxx.xxx.xxx` (printer's IP address)

8. Select **Dell** from the **Make** menu, and then click **Continue**.
9. Select **Dell 5130cdn Color Laser...** from the **Model** menu, and then click **Continue**.

The message **Printer xxx has been added successfully**. appears.

The set up is complete.

When you have finished setting up the queue you can print jobs from the software program. Start the print job from the software program, and then specify the queue in the print dialog box.

However, sometimes you can only print from the default queue depending on the software program (for example Mozilla). In these cases, before you start printing, set queue you want to print to as the default queue. For information on specifying the default queue, see "[Setting the Default Queue](#)."

Setting the Default Queue

1. Select **Main Menu® System Tools® Terminal**.
2. Type the following command in the terminal window.

```
su
(Type the administrator's password)
lpadmin -d (The queue name)
```

Specifying Printing Options

You can specify the printing options such as color mode or double-sided printing.

1. Open the URL "`http://localhost:631`" using a web browser.
2. Click **Manage Printers**.
3. Click **Configure Printer** of the queue for which you want to specify the printing options.
4. Type `root` as the user name, and type the administrator's password.
5. Specify the required settings, and then click **Continue**.

The message **Printer xxx has been configured successfully**. appears.

The setting is complete. Execute printing from the software program.

Uninstalling the Printer Driver

1. Select **Main Menu® System Tools® Terminal**.
2. Type the following command in the terminal window.

```
su
(Type the administrator's password)
rpm -e Dell-5130cdn-Color-Laser
```

The printer driver is uninstalled.

Installing the Printer Driver

1. Double-click **Dell-5130cdn-Color-Laser-x.x-x.noarch.rpm** in the *Drivers and Utilities* CD.
2. Type the administrator's password and click **Install**.

Installation starts. When the installation is complete, the window is automatically closed.

Setting Up the Queue

To execute printing, you must set up the print queue on your workstation.

1. Select **Computer® More Applications...** and select **YaST** on the Application Browser.
2. Type the administrator's password.

YaST Control Center is activated.

3. Select **Hardware** on the YaST Control Center and select **Printer**.
4. **Printer setup: Autodetected printers** is activated.

For USB connections:

- a. Select **Dell 5130cdn Color Laser on USB (/Dell/5130cdn%20Color%20Laser or /dev/usb/lp*)** as **Available are**, and then click **Configure...**
- b. Confirm the settings in **Edit configuration**, and then click **OK**.

For parallel connections:

- a. Click **Add**.
- b. Select **Directly Connected Printers** as **Printer Type**, and then click **Next**.
- c. Select **Parallel printer** as **Printer Type**, and then click **Next**.
- d. Click **Next**.
- e. Set the name of the printer queue in **Queue name**, and type the queue name for printing in **Name for printing**.

The **Description of Printer** and **Location of Printer** do not have to be specified.

- f. Select the **Do Local Filtering** check box, and then click **Next**.
- g. Select **DELL** in **Select manufacturer**. Select **5130cdn Color Laser** in **Select Model**, and then click **Next**.
- h. Confirm the settings in **Edit configuration**, and then click **OK**.

For network connections:

- a. Click **Add**.
- b. Select **Network Printers** as **Printer Type**, and then click **Next**.
- c. Select the **Print via LPD-Style Network Server** as **Printer Type**, and then click **Next**.
- d. Type the printer's IP address in **Host name of the printer server**. And type the name of the printer queue in **Name of the remote queue**, and then click **Next**.
- e. Type the printer name in **Name for printing**.

The **Description of Printer** and **Location of Printer** do not have to be specified.

- f. Select the **Do Local Filtering** check box, and then click **Next**.
 - g. Select **DELL** as **Select manufacturer**. Select **5130cdn Color Laser** as **Select Model**, and then click **Next**.
 - h. Confirm the settings in **Edit configuration**, and then click **OK**.
5. Click **Finish**.

Printing From the Application Program

When you have finished setting up the queue you can print jobs from the application program. Start the print job from the application program, and then specify the queue in the print dialog box.

However, sometimes you can only print from the default queue depending on the application program (for example Mozilla). In these cases, before you start printing, set queue you want to print to as the default queue. For information on specifying the default queue, see "[Setting the Default Queue](#)."

Setting the Default Queue

1. To activate the **Printer setup: Autodetected printers**, do the following.
 - a. Select **Computer® More Applications...** and select **YaST** on the Application Browser.
 - b. Type the administrator's password.

YaST Control Center is activated.
 - c. Select **Hardware** on the YaST Control Center and select **Printer**.
2. Select the printer you want to set to default on the **Printer Configuration**, and select **Set default** in **Other button menu**.
3. Click **Finish**.

Specifying the Printing Options

You can specify the printing options such as color mode or double-sided printing.

1. Open a web browser.
2. Type `http://localhost:631/admin` in **Location**, and then press the <Enter> key.
3. Type `root` as the user name, and type the administrator's password.

The **CUPS** window appears.



NOTE: Set the password for authority as the printer administrator before setting the printer queue. If you have not set it, go to "[Setting the Password for Authority as the Printer Administrator](#)."

4. Click **Manage Printers**.
5. Specify the required settings, and then click **Continue**.

The message **Printer xxx has been configured successfully**. appears.

The setting is complete. Execute printing from the application program.

Setting the Password for Authority as the Printer Administrator

You must set the password for authority as the printer administrator to do operations as the printer administrator.

1. Select **Computer® More Applications...** and select **Konsole** on the Application Browser.
2. Type the following command on the terminal window.

```
su
(Type the administrator's password.)
lppasswd -g sys -a root
(Type the password for authority as the printer administrator after the Enter password prompt.)
(Retype the password for authority as the printer administrator after the Enter password again prompt.)
```

Uninstalling the Printer Driver

1. Select **Computer® More Applications...** and select **Konsole** on the Application Browser.
2. Type the following command on the terminal window.

```
su
(Type the administrator's password)
rpm -e Dell-5130cdn-Color-Laser
```

The printer driver is uninstalled.

[Back to Contents Page](#)

Printer Specifications

- [OS Compatibility](#)
- [Power Supply](#)
- [Dimensions](#)
- [Memory](#)
- [Page Description Language \(PDL\)/Emulation, Operating System, and Interface](#)
- [Environment](#)
- [Cables](#)

OS Compatibility

Your Dell™ 5130cdn Color Laser Printer is compatible with Windows® (2000, XP, XP x64, Vista, Vista x64, 7, 7 x64, Server 2003, Server 2003 x64, Server 2008, Server 2008 x64, Server 2008 R2 x64); Mac OS X (10.2.8/10.3.9/10.4.x/10.5.x); Novell® (3.12, 3.2, 4.1, 4.11, 4.2, 5, 5.1, 6, 6.5 (SP1.1 or later)) but not supported¹; Linux (Turbolinux FUJI (English), SUSE Linux Enterprise Desktop 10 (English), RedHat Enterprise Linux ES 4.0/5.0 (English)) but not supported²; Unix (HP-UX 11.i (English), Solaris 9/10 (English)) but not supported.

¹ Dell technical phone support only supports factory-installed operating systems (Microsoft) for the first 30 days for free. See <http://www1.us.dell.com/content/products/compare.aspx/laser?c=us&cs=555&l=en&s=biz> for more details. The customer will have to purchase technical support from the manufacturer of the operating system in order to get technical assistance beyond 30 days.

² If the customer has other operating systems and has purchased Gold Technical Support (for more information on Gold Technical Support, see <http://www1.us.dell.com/content/topics/global.aspx/services/en/gts?c=us&cs=555&l=en&s=biz>), the telephone support will be a "best effort" attempt to resolve the operating system issue. If the manufacturer needs to be contacted, the customer must pay an additional fee for that support. The only time that Dell pays for the third-party support is when Dell is responsible for the issue. In the case of getting the printer installed and working, this is configuration and the customer would be responsible for paying.

Power Supply

Rated Voltage	220-240 VAC	110-127 VAC
Frequency	50/60 Hz	50/60 Hz
Current	4 A	8 A

Dimensions

Height: 431 mm (17 in.) Width: 560 mm (22 in.) Depth: 505 mm (20 in.)

Weight (not including cartridge): 41.5 kg (91.5 lb)

Memory

Base memory	256 MB
Maximum memory	1280 MB (256 MB + 1024 MB)
DIMM Connector	144 pin DDR2 SO-DIMM

DIMM Size	1024 MB
DIMM Speed	EP2-2100

Page Description Language (PDL)/Emulation, Operating System, and Interface

PDL/Emulations	PostScript 3, PCL 6, PCL5e, XPS	
OSes	Microsoft® Windows 7/7 x64/Server 2008 R2 x64/Vista/Vista x64/Server 2008/Server 2008 x64/XP/XP x64/Server 2003/Server 2003 x64/2000 (SP3 or later), Mac OS X (10.2.8, 10.3.9, 10.4.x, 10.5.x)	
Interfaces	Standard local:	USB2.0, IEEE 1284
	Standard network:	10Base-T/100Base-TX/1000Base-T Ethernet
	Optional network:	IEEE802.11b/802.11g/802.11n (Wireless)

MIB Compatibility

A Management Information Base (MIB) is a database containing information about network devices (such as adapters, bridges, routers, or computers). This information helps network administrators manage the network (analyze performance, traffic, errors, and so on). Dell 5130cdn Color Laser Printer complies with standard-industry MIB specifications, allowing the printer to be recognized and managed by various printer and network management software systems.

Environment

Operation

Temperature	10-32°C
Relative humidity	15-85% RH (no condensation) (Temperature should be 28°C or below at 85% RH.)

Print Quality Guarantee

Temperature	15-28°C
Relative humidity	20-70% RH (no condensation)

Storage





Temperature range	0-35°C (32-95°F)
Storage humidity range	15-80% RH (no condensation)

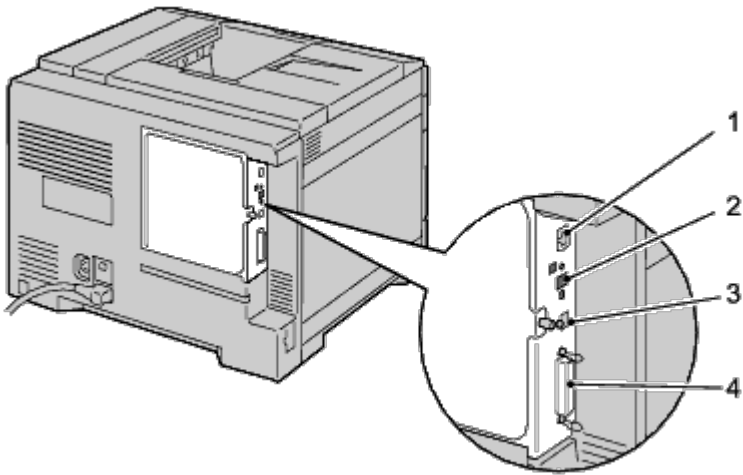
Altitude

Operating	Up to 3,100 m (10,000 feet)
Storage	70.9275 Kpa

Cables

Your interconnection cable must meet the following requirements:

	Connection type	Connection specifications and symbols
1	Ethernet	10 Base-T/100 Base-TX/1000 Base-T 
2	Wireless	IEEE802.11b/802.11g/802.11n 
3	USB	USB2.0 
4	Parallel	IEEE1284 



[Back to Contents Page](#)

Maintaining Your Printer

- [Determining the Status of Supplies](#)
- [Conserving Supplies](#)
- [Storing Print Media](#)
- [Storing Consumables](#)
- [Replacing the Toner Cartridges](#)
- [Replacing the Drum Cartridges](#)
- [Replacing the Fuser](#)
- [Replacing the Separator Rollers](#)
- [Replacing the Belt Unit](#)
- [Replacing the Transfer Roller](#)
- [Replacing the Stapler Cartridge](#)
- [Replacing the Waste Toner Box](#)
- [Cleaning Inside the Printer](#)
- [Cleaning the Conductivity Temperature Depth \(CTD\) Sensor](#)
- [Adjusting Color Registration](#)

Periodically, your printer requires you to complete certain tasks to maintain optimum print quality. If several people are using the printer, you may want to designate a key operator to maintain your printer. Refer printing problems and maintenance tasks to this key operator.

Determining the Status of Supplies

If your printer is connected to the network, the **Dell™ Printer Configuration Web Tool** can provide instant feedback on remaining toner levels. Type the printer's IP address in your web browser to view this information. To use the **E-Mail Alert Setup** feature that notifies you when the printer requires new supplies, type your name or the name of the key operator in the e-mail list box.

On the operator panel, you can also confirm the following:

- Any supply or maintenance items that require attention replacing (However, the printer can only display information about one item at a time.)
 - Amount of toner remaining in each toner cartridge
-

Conserving Supplies

You can change several settings in your printer driver to conserve toner cartridge and paper.

Supply	Setting	Function
Toner cartridge	Toner Saving Mode in the Advanced tab of the printer driver	This check box allows the users to select a print mode that uses less toner. When this feature is used, the image quality will be lower than when it is not used.
Print media	Multiple Up in the Layout tab of the printer driver	The printer prints two or more pages on one side of a sheet. Values for Multiple Up are 2 Up, 4 Up, 8 Up, 16 Up, or 32 Up. Combined with the duplex setting, Multiple Up allows you to print up to 64 pages on one sheet of paper. (32 images on the front and 32 on the back)

Storing Print Media

To avoid potential paper feeding problems and uneven print quality, there are several things you can do.

- To achieve the best possible print quality, store print media in an environment where the temperature is approximately 21°C (70°F) and the relative humidity is 40%.
 - Store cartons of print media on a pallet or shelf, rather than directly on the floor.
 - If you store individual packages of print media out of the original carton, ensure that they rest on a flat surface so the edges do not buckle or curl.
 - Do not place anything on top of the print media packages.
-

Storing Consumables

Store consumables in their original packaging until you need to use them. Do not store consumables in:

- Temperatures greater than 40°C (104°F).
 - An environment with extreme changes in humidity or temperature.
 - Direct sunlight.
 - Dusty places.
 - A car for a long period of time.
 - An environment where corrosive gases are present.
 - An environment with salty air.
-

Replacing the Toner Cartridges

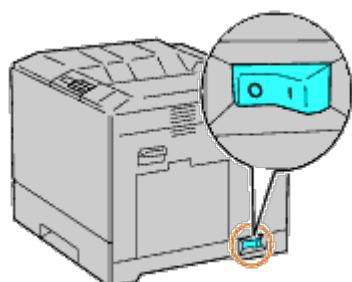
- ➡ **NOTICE:** Before performing any of the following procedures, read and follow the safety instructions in your *Product Information Guide* provided with your product.
- ➡ **NOTICE:** To prevent electric shock, always turn off the printer and disconnect the power cable from the grounded outlet before performing maintenance.

Dell toner cartridges are available only through Dell. You can order more cartridges online at support.dell.com or by phone. To order by phone, see "[Contacting Dell](#)."

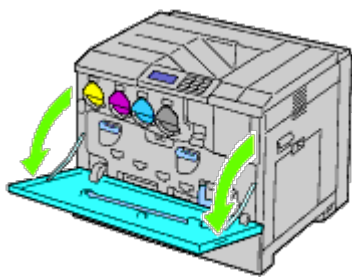
It is recommended that you use Dell toner cartridges for your printer. Dell does not provide warranty coverage for problems caused by using accessories, parts, or components not supplied by Dell.

Removing the Toner Cartridges

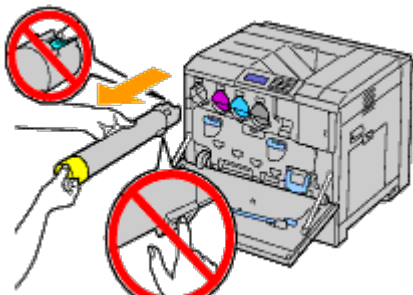
1. Turn off the printer.



2. Open the front cover.



3. Pull out the toner cartridge you want to replace.



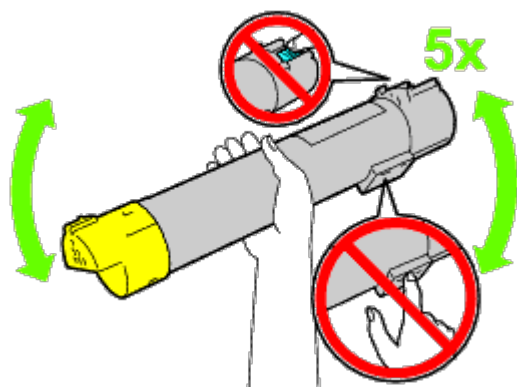
⚠ CAUTION: Always pull out the cartridge slowly so you do not spill any toner.

👉 NOTICE: Do not touch the parts shown in the illustration. Toner can dirty and stain your hands.

📌 NOTE: Be careful not to spill toner when handling the toner cartridge.

Installing a Toner Cartridge

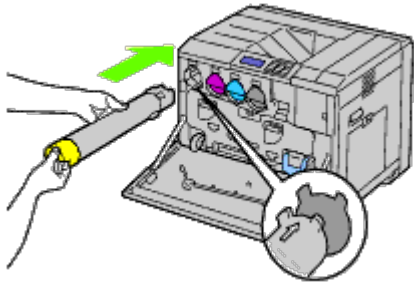
1. Unpack a new toner cartridge of the desired color.
2. Shake the toner cartridge 5 to 6 times to distribute the toner evenly.



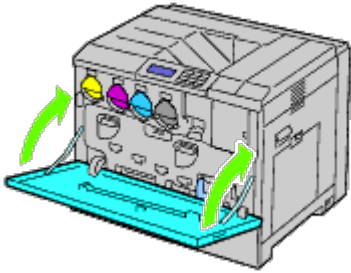
📌 NOTE: Do not touch the area shown in the illustration when you shake the cartridge.

📌 NOTE: Be careful not to spill toner when handling the toner cartridge.

3. Align the arrow on the cartridge with the arrow on the printer, and slide in the cartridge until it stops.



4. Close the front cover.



Replacing the Drum Cartridges

⚠ CAUTION: Before performing any of the following procedures, read and follow the safety instructions in your *Product Information Guide* provided with your product.

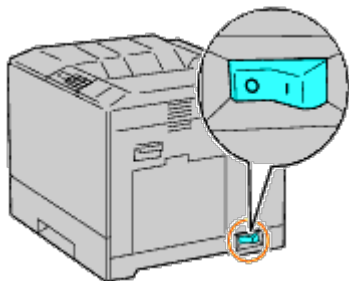
⚠ CAUTION: To prevent electric shock, always turn off the printer and disconnect the power cable from the grounded outlet before performing maintenance.

👉 NOTICE: To protect the drum cartridges against bright light, close the inner cover within five minutes. If the front cover remains open for more than five minutes, print quality may deteriorate.

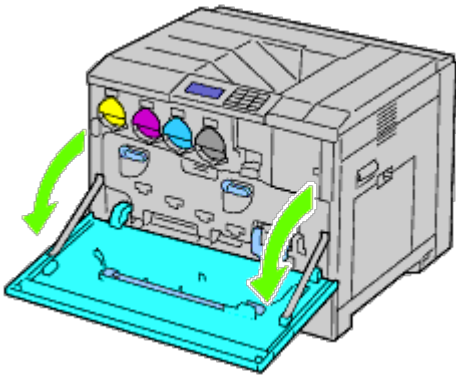
📎 NOTE: Video instructions are also available in the *Maintenance Guide*. The *Maintenance Guide* is included in the *Drivers and Utilities* CD provided with your printer. Insert the *Drivers and Utilities* CD into your printer. Click **start**® **Run**, and then type **D:\MaintenanceGuide\MaintenanceGuide.exe** (where **D** is the drive letter of your CD), and then click **OK**.

Removing the Drum Cartridges

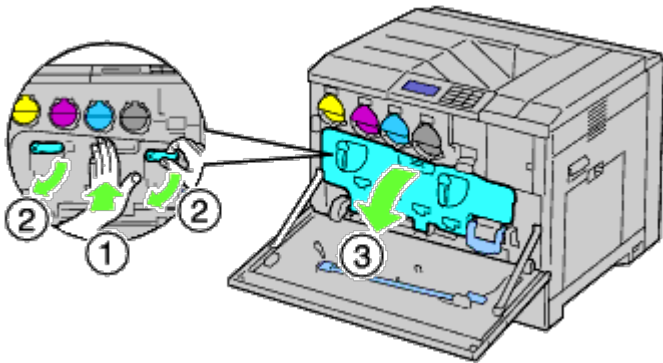
1. Turn off the printer.



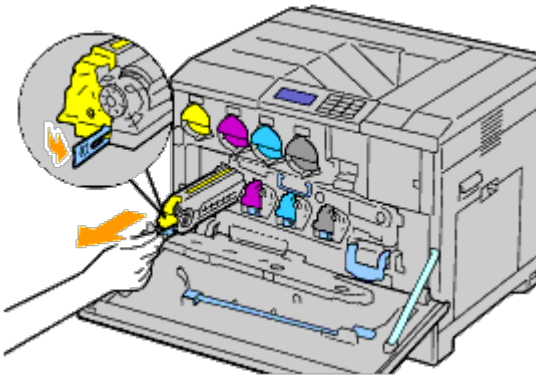
2. Open the front cover.



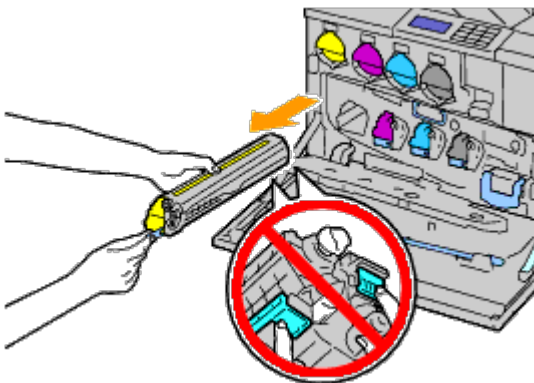
3. Rotate the lock levers of the inner cover to open it.




4. Grasp the handles on the drum cartridge you want to replace and pull out the cartridge halfway.



5. Grasp one side of the drum cartridge with the other hand and pull out the cartridge from the printer.





 **NOTICE:** Do not touch the parts shown in the illustration. Toner can dirty and stain your hands.

 **NOTE:** Be careful not to spill toner when handling the drum cartridge.

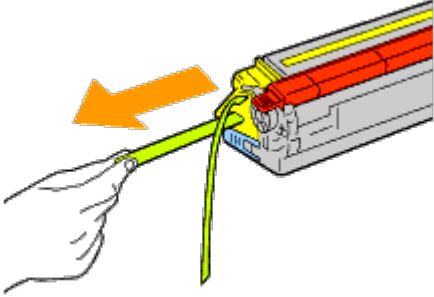
Installing a Drum Cartridge

1. Unpack a new drum cartridge.

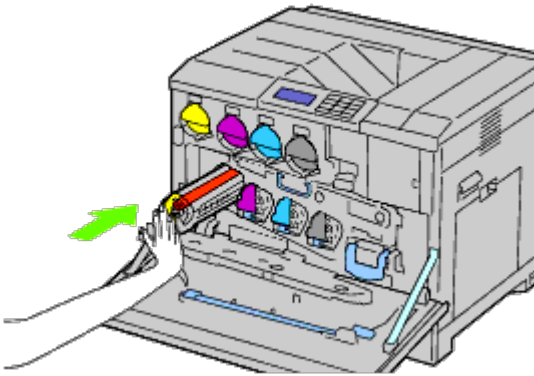
 **NOTICE:** To protect the drum from overexposure to bright light, do not remove the orange protective covering until you have inserted the cartridge in the printer.

 **NOTE:** Be careful not to spill toner when handling the drum cartridge.

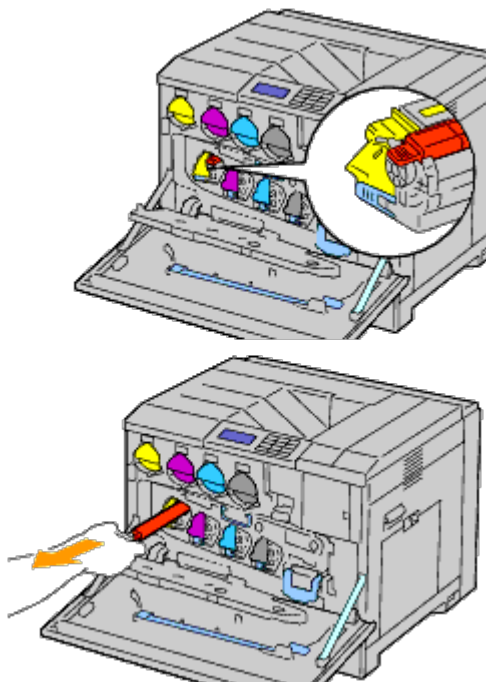
2. Pull out the two ribbons.



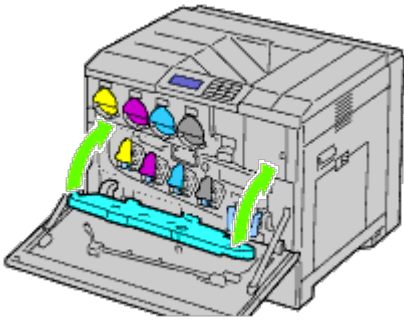
3. Slide the cartridge into the correct slot.



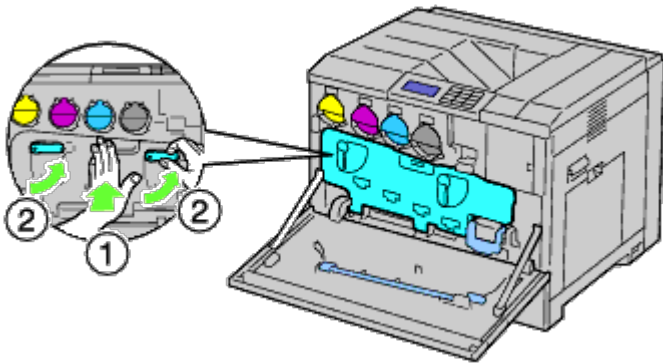
4. Remove the orange protective covering of the installed drum cartridge and discard.



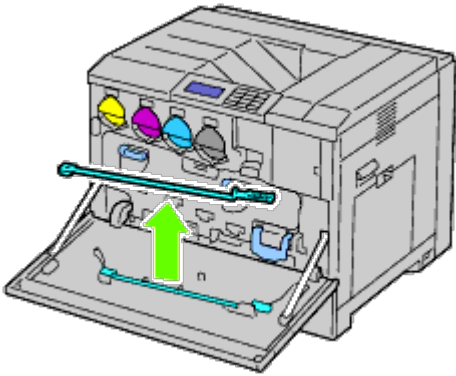
5. Close the inner cover.



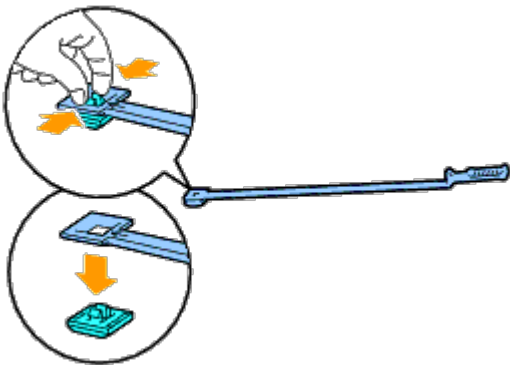
6. Rotate the lock levers to secure the inner cover while pressing the cover with the other hand.



7. Remove the cleaning rod from the backside of the front cover.

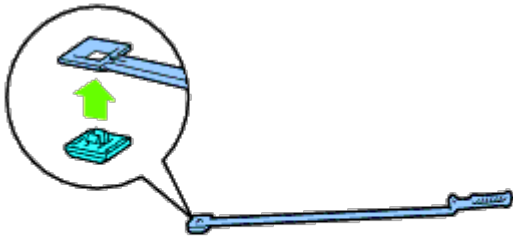


8. Remove the cleaning pad by pressing the white tabs between your thumb and index finger.

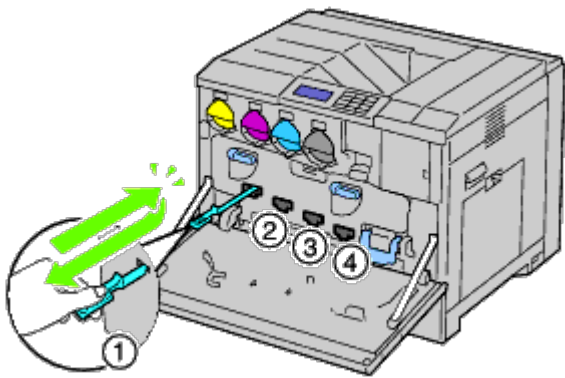


9. Unpack a new cleaning pad.

10. Attach the new cleaning pad to the cleaning rod.

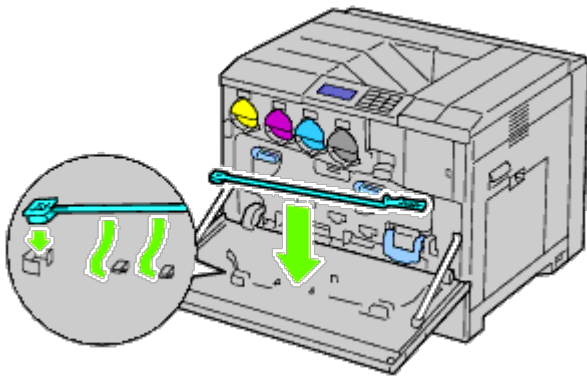


11. Insert the cleaning rod fully into one of the four holes until it clicks into the interior of the printer as illustrated below, and then pull it out.

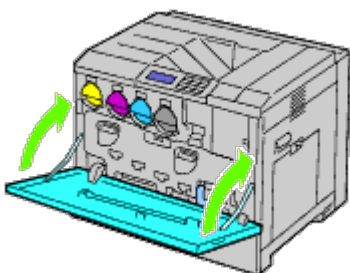



12. Repeat [Step 11](#) also on the other three holes. One time insertion is enough for each hole.

13. Return the cleaning rod to its original location.







14. Close the front cover.



 **NOTE:** Whenever you replace the drum cartridges, also clean inside the printer to maintain high image quality. See

Replacing the Fuser



-  **CAUTION:** A CAUTION indicates a potential for property damage, personal injury, or death.
-  **CAUTION:** Before performing any of the following procedures, read and follow the safety instructions in your *Product Information Guide* provided with your product.
-  **CAUTION:** To prevent electric shock, always turn off the printer and disconnect the power cable from the grounded outlet before performing maintenance.
-  **NOTE:** Video instructions are also available in the *Maintenance Guide*. The *Maintenance Guide* is included in the *Drivers and Utilities* CD provided with your printer.

Click **start® Run**, and then type `D:\MaintenanceGuide\MaintenanceGuide.exe` (where D is the drive letter of your CD), and then click **OK**.

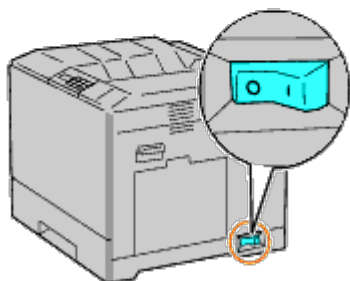
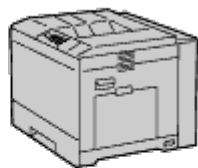
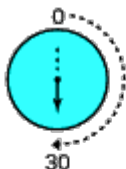
Dell fuser is available only through Dell. To order by phone, see "[Contacting Dell](#)."

It is recommended to use a Dell fuser for your printer. Dell does not provide warranty coverage for problems caused by using accessories, parts, or components not supplied by Dell.

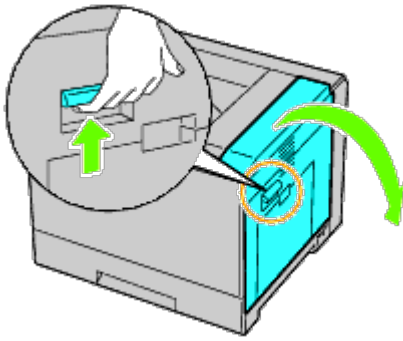
Removing the Fuser

-  **CAUTION:** To prevent electric shock, always turn off the printer and disconnect the power cable from the grounded outlet before performing maintenance.
-  **CAUTION:** To avoid burns, do not replace the fuser immediately after printing. The fuser becomes extremely hot during use.

1. Turn off the printer and wait for 30 minutes before removing the fuser.

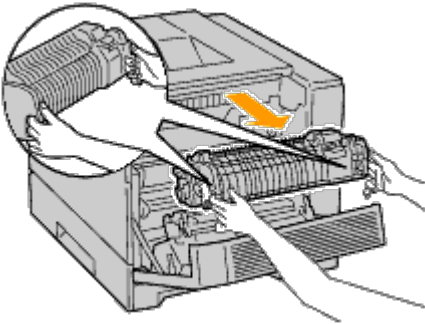


2. Raise the latch on the handle of the right hand cover to open the cover.



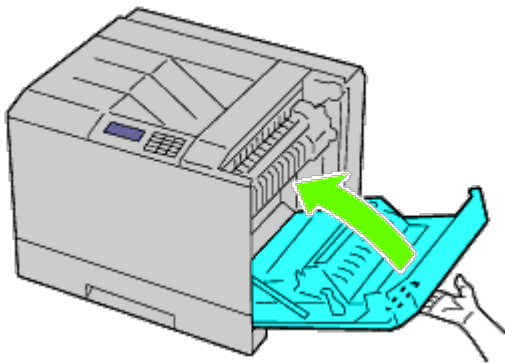
NOTE: Stand straight in front of the right hand cover and not in front of the front cover, whenever you replace the fuser.

3. Grasp both handles of the installed fuser with your hands and pull it out.



Installing a Fuser

1. Unpack a new fuser.
2. Grasp both handles of the fuser with your hands and install the fuser in the printer.
3. Close the right hand cover.



NOTE: When closing the right hand cover, apply your hand in the vicinity of the handle as shown in the illustration, and then press the cover firmly toward the printer.

NOTE: Stand straight in front of the right hand cover and not in front of the front cover, whenever you close the right hand cover.

Replacing the Separator Rollers

There are three separator rollers in the printer which need to be replaced periodically. One is in the tray and the others are inside the printer. All the separator rollers are replaced in the same way as described in this section.

CAUTION: To prevent electric shock, always turn off the printer and disconnect the power cable from the grounded outlet before performing maintenance.

CAUTION: Before performing any of the following procedures, read and follow the safety instructions in your *Product Information Guide* provided with your product.

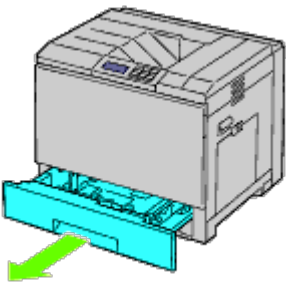
NOTE: Video instructions are also available in the *Maintenance Guide*. The *Maintenance Guide* is included in the *Drivers and Utilities* CD provided with your printer.

Click **start** ® **Run**, and then type **D:\MaintenanceGuide\MaintenanceGuide.exe** (where D is the drive letter of your CD), and then click **OK**.

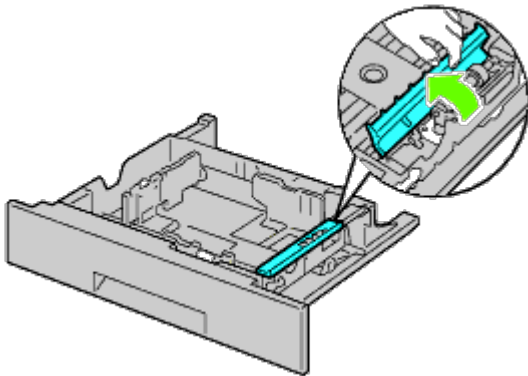
Removing the Separator Roller in a Tray

NOTE: Remove all paper or media from the tray before pulling the tray out of the printer.

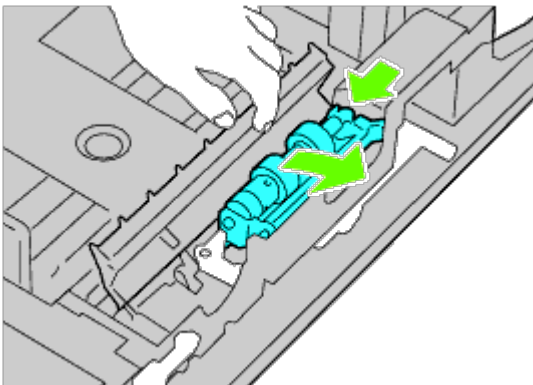
1. Remove the tray from the printer.



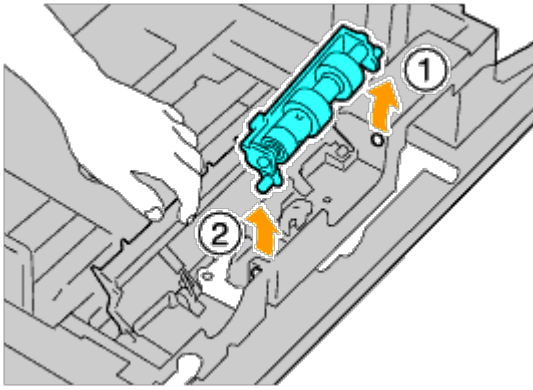
2. Turn the separator roller cover to the left to open it, and then hold the cover.



3. Turn the separator roller cartridge to the right.

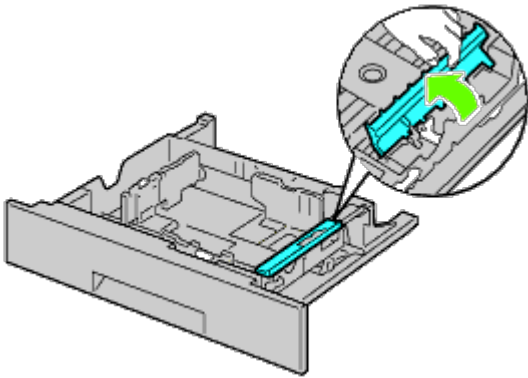


4. Pull out the rear axle, then the front axle from the holes of the tray and remove the separator roller cartridge.

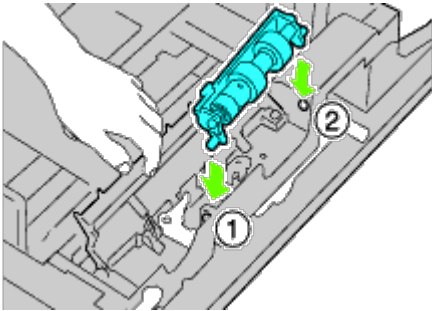


Installing a Separator Roller in a Tray

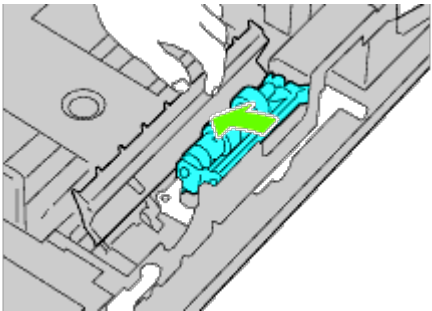
1. Turn the separator roller cover to the left to open it, and then hold the cover.



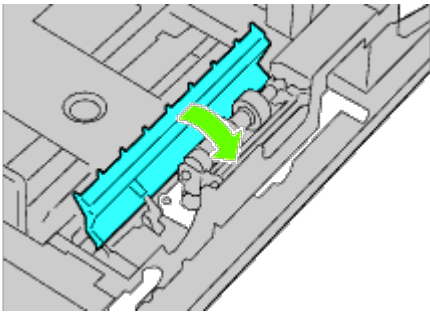
2. Slide the front axle, then the rear axle of the separator roller cartridge in the holes of the tray.



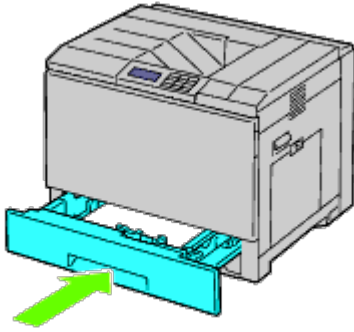
3. Turn the separator roller cartridge to the left to fix it in place.



4. Turn the separator roller cover to the right to close it.

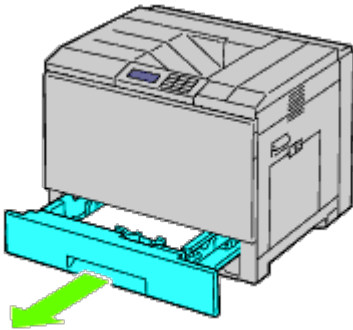


5. Load paper in the tray and replace the tray in the printer.

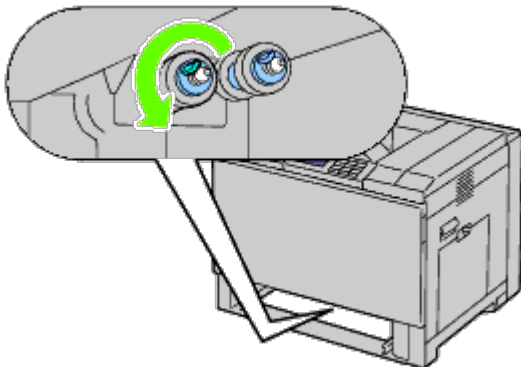



Removing the Separator Rollers Inside the Printer

1. Remove the tray from the printer.

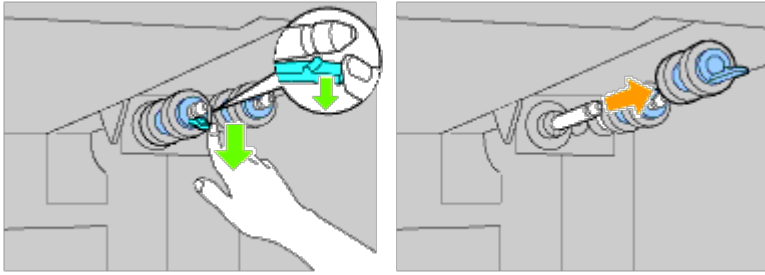


2. Turn the separator roller until the roller hook is visible.



 **NOTE:** The roller is located approximately 165 mm (6.5 inches) inside the printer when measured from the face of the paper tray opening.

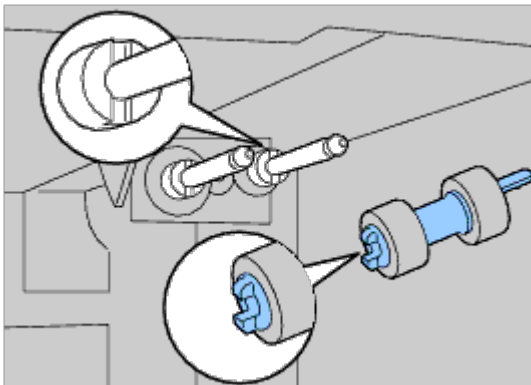
3. Pull the separator roller hook out of the groove on the axle, and then slide the separator roller to the front.



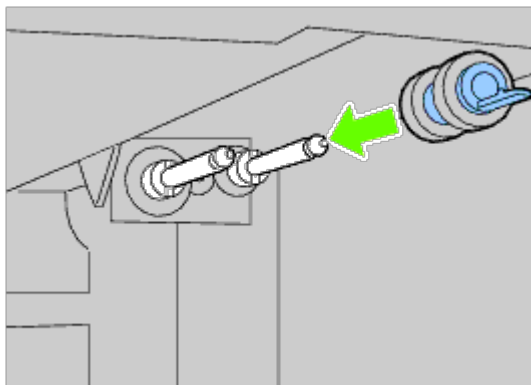
4. Repeat [Step 2](#) and [Step 3](#) to remove other separator rollers from inside the printer.

Installing Separator Rollers Inside the Printer

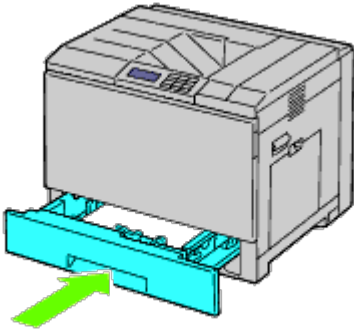
1. Align the hole of the new separator roller with the axle.



2. Slide the separator roller along the axle so the protrusions fit completely into the slots and the roller hook reseats into the groove on the axle.



3. Replace the tray into the printer.



Replacing the Belt Unit

- ⚠ CAUTION:** To prevent electric shock, always turn off the printer and disconnect the power cable from the grounded outlet before performing maintenance.
- ⚠ CAUTION:** Before performing any of the following procedures, read and follow the safety instructions in your *Product Information Guide* provided with your product.
- 📎 NOTE:** Video instructions are also available in the *Maintenance Guide*. The *Maintenance Guide* is included in the *Drivers and Utilities* CD provided with your printer.

Click **start® Run**, and then type **D:\MaintenanceGuide\MaintenanceGuide.exe** (where **D** is the drive letter of your CD), and then click **OK**.

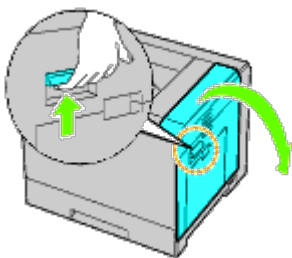
- 🕒 NOTICE:** Ensure nothing touches or scratches the surface (black-colored film) of the belt unit. Scratches, dirt, or oil from your hands on the film of the belt unit may reduce print quality.
- 🕒 NOTICE:** To protect the drum cartridges from overexposure to bright light, close the inner cover within five minutes. If the front cover remains open for more than five minutes, print quality may degrade.

Dell belt units are available only through Dell. To order by phone, see "[Contacting Dell](#)." It is recommended to use a Dell belt unit for your printer. Dell does not provide warranty coverage for problems caused by using accessories, parts, or components not supplied by Dell.

Removing the Belt Unit

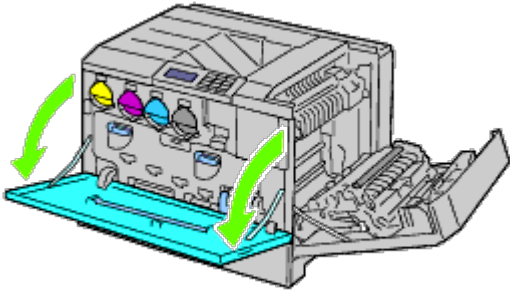
- ⚠ CAUTION:** Do not touch the inside of the printer. Some parts may be hot. Allow time for the printer to cool before attempting to remove parts.
- 📎 NOTE:** Remove all paper from the center output tray, and close the MPF cover before opening the front cover.

1. Turn off the printer and wait 30 minutes before removing the belt unit.
2. Raise the latch of the right hand cover and open the cover.

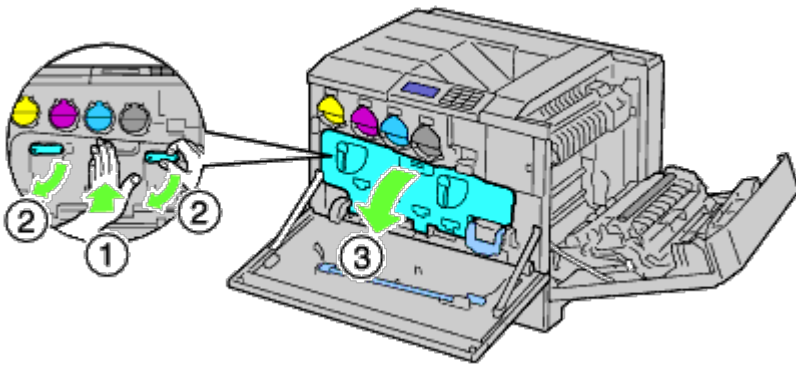


- 📎 NOTE:** Belt unit can be replaced only when the right hand cover is open.
- 📎 NOTE:** Stand straight in front of the right hand cover and not in front of the front cover, whenever you open the right hand cover.

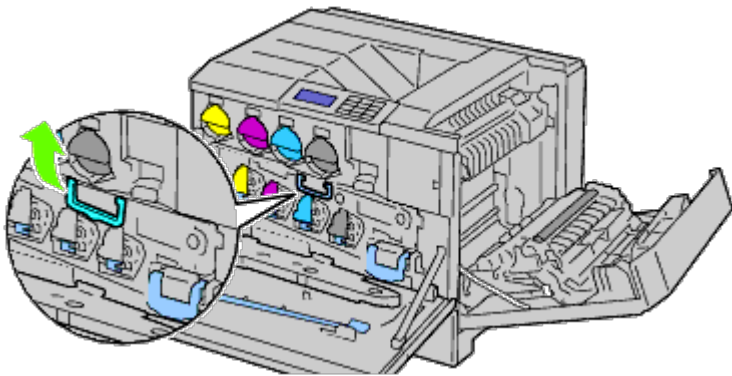
3. Open the front cover.



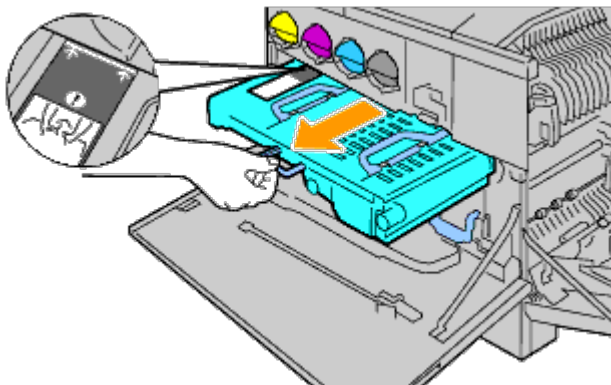
4. Rotate the lock levers of the inner cover to open it.



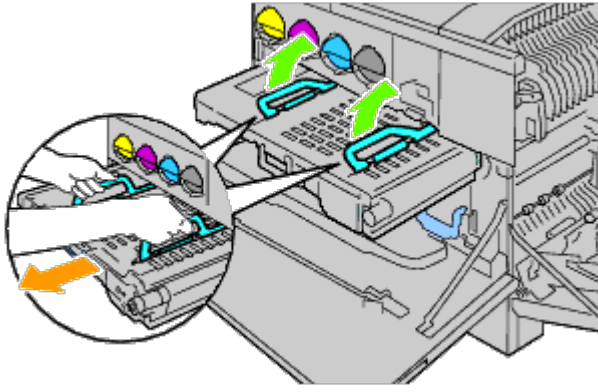
5. Grasp the handle on the front of the belt unit.



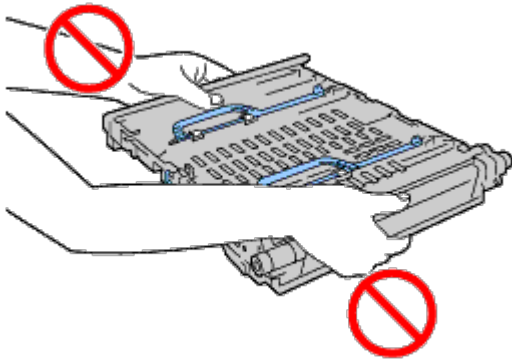
6. Pull out the belt unit until the line on the unit becomes completely visible.



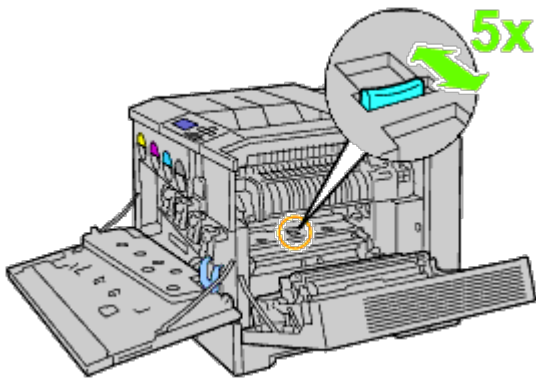
7. Grasp the handles on the top of the belt unit. Pull out the unit to remove it from the printer.



NOTICE: Do not hold the parts shown in the illustration.



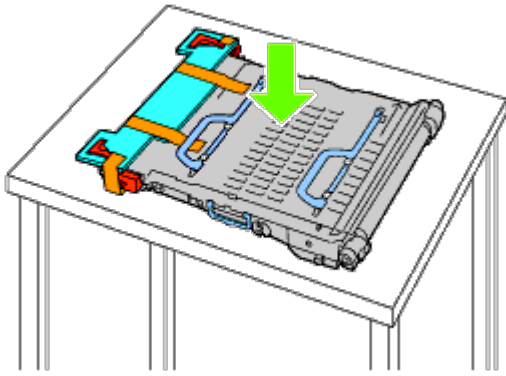
8. Slide the blue tab back-and-forth five times to clean the conductivity temperature depth sensor.



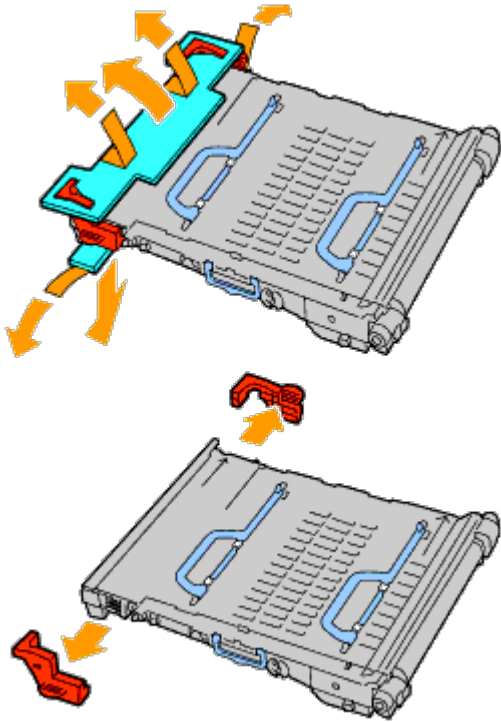
CAUTION: Be careful not to touch the fuser. It can burn your fingers.

Installing a Belt Unit

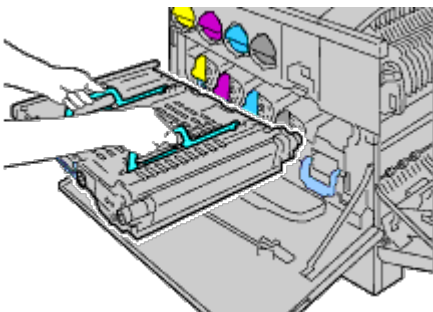
1. Unpack a new belt unit and place the unit on a level surface.



2. Remove the protective parts shown in the illustration.

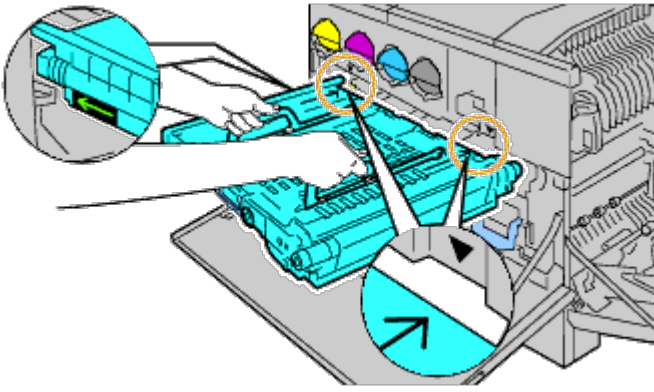


3. Grasp the handles on top of the belt unit.

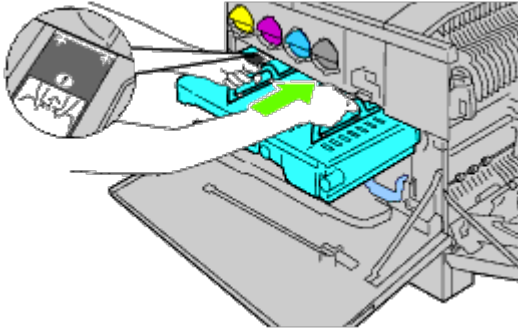


NOTICE: Do not hold the sides of the belt unit. It may degrade print quality.

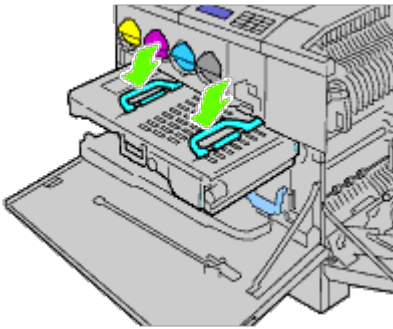
4. Align the arrows on the belt unit with the arrows on the printer.



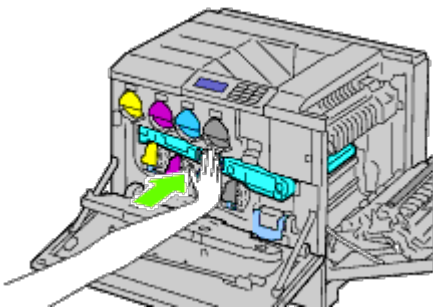
5. Slide the unit into the printer and stop when the visible line reaches the printer.



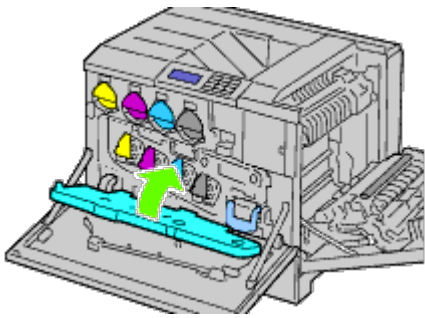
6. Lower the handles.



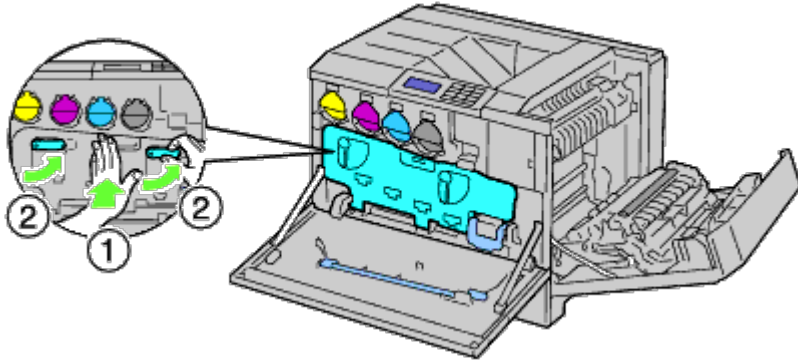
7. Push the front of the belt unit to reinstall it in the printer until it stops.



8. Close the inner cover.

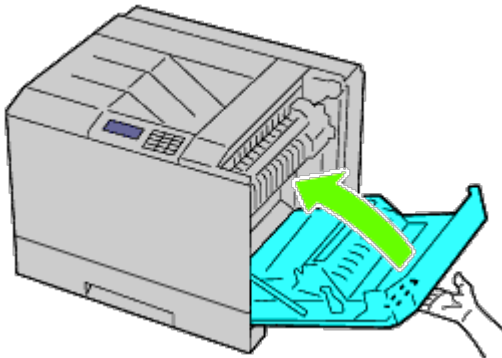



9. Rotate the lock levers to secure the inner cover while pressing the cover with the other hand.




10. Close the front cover.


11. Close the right hand cover.





 **NOTE:** When closing the right hand cover, apply your hand in the vicinity of the handle as shown in the illustration, and then press the cover firmly toward the printer.

 **NOTE:** Stand straight in front of the right hand cover and not in front of the front cover, whenever you close the right hand cover.

Replacing the Transfer Roller

 **CAUTION:** To prevent electric shock, always turn off the printer and disconnect the power cable from the grounded outlet before performing maintenance.

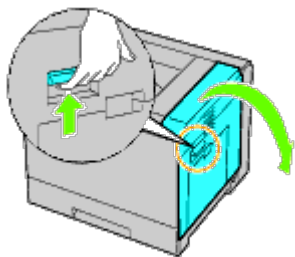
 **CAUTION:** Before performing any of the following procedures, read and follow the safety instructions in your *Product Information Guide* provided with your product.

 **NOTE:** Video instructions are also available in the *Maintenance Guide*. The *Maintenance Guide* is included in the *Drivers and Utilities CD* provided with your printer.

Click **start**® **Run**, and then type **D:\MaintenanceGuide\MaintenanceGuide.exe** (where D is the drive letter of your CD), and then click **OK**.

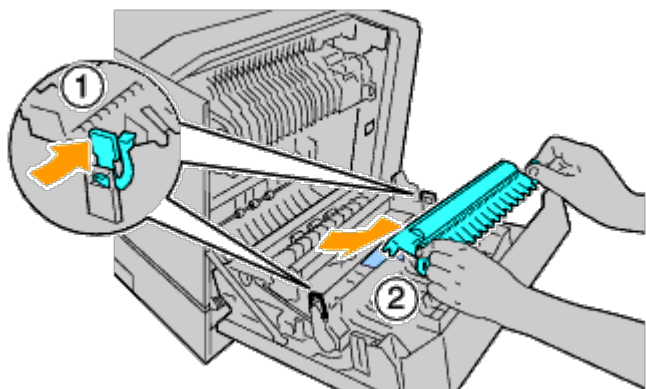
Removing the Transfer Roller

1. Turn off the printer.
2. Raise the latch of the right hand cover and open the cover.



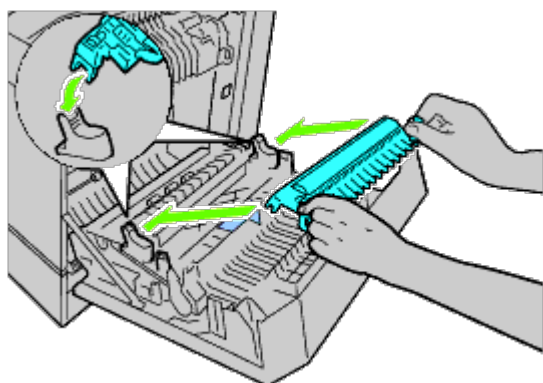
NOTE: Stand straight in front of the right hand cover and not in front of the front cover, whenever you open the right hand cover.

3. Unlock the two levers on the transfer roller and lift up the roller to remove it.

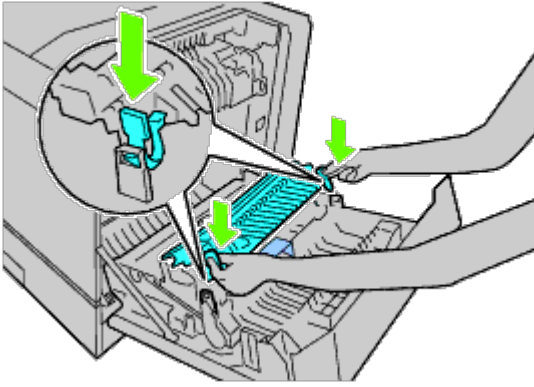


Installing a Transfer Roller

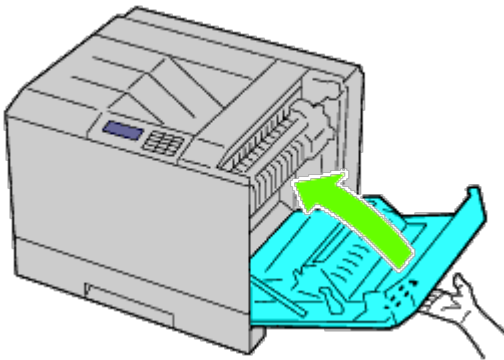
1. Grasp the levers on both sides of the new transfer roller and align the arrows on the transfer roller with the arrows inside the printer.





2. Lower the front of the transfer roller until the roller clicks into place.




3. Close the right hand cover.





 **NOTE:** When closing the right hand cover, apply your hand in the vicinity of the handle as shown in the illustration, and then press the cover firmly toward the printer.

 **NOTE:** Stand straight in front of the right hand cover and not in front of the front cover, whenever you close the right hand cover.

Replacing the Stapler Cartridge

 **CAUTION:** Before performing any of the following procedures, read and follow the safety instructions in your *Product Information Guide* provided with your product.

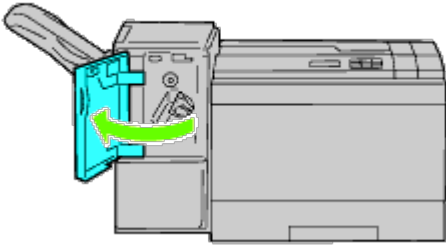
 **CAUTION:** To prevent electric shock, always turn off the printer and disconnect the power cable from the grounded outlet before performing maintenance.

 **NOTE:** Video instructions are also available in the *Maintenance Guide*. The *Maintenance Guide* is included in the *Drivers and Utilities* CD provided with your printer.

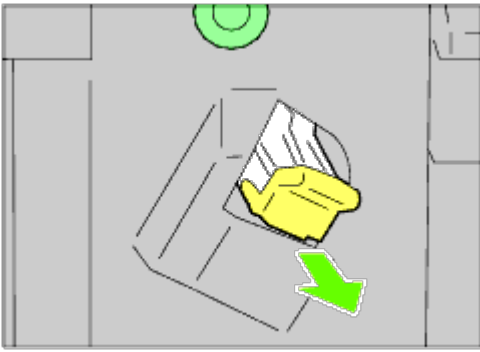
Click **start**® **Run**, and then type **D:\MaintenanceGuide\MaintenanceGuide.exe** (where **D** is the drive letter of your CD), and then click **OK**.

Removing the Stapler Cartridge

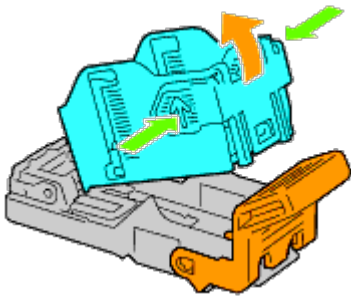
1. Confirm that the printer is not in operation, and open the front door of the output expander.



2. Press the orange lever of the staple cartridge holder and pull out the cartridge.

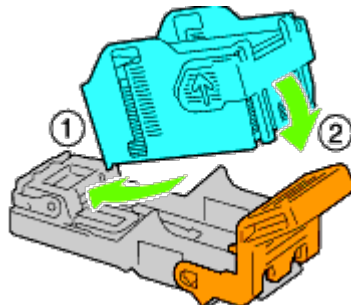


3. Squeeze the sides of the empty staple case and remove it from the cartridge.

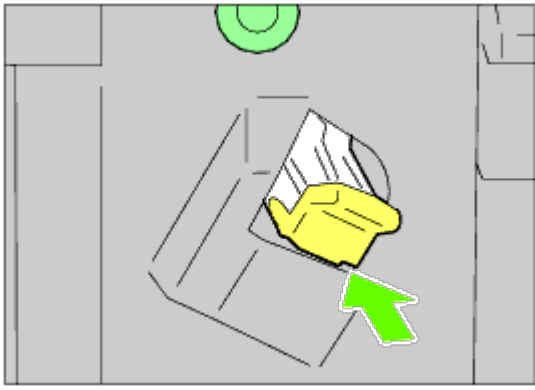


Installing a Stapler Cartridge

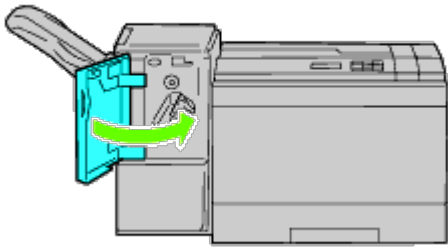
1. Slide the tip of the new staple case into the cartridge and press the end into place.






2. Holding the orange lever, push the staple cartridge back into the holder until it clicks into place.



3. Close the front door of the output expander.



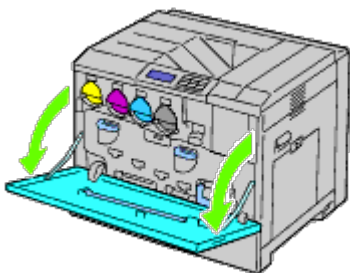
Replacing the Waste Toner Box

-  **CAUTION:** Before performing any of the following procedures, read and follow the safety instructions in your *Product Information Guide* provided with your product.
-  **CAUTION:** To prevent electric shock, always turn off the printer and disconnect the power cable from the grounded outlet before performing maintenance.
-  **NOTE:** Video instructions are also available in the *Maintenance Guide*. The *Maintenance Guide* is included in the *Drivers and Utilities* CD provided with your printer.

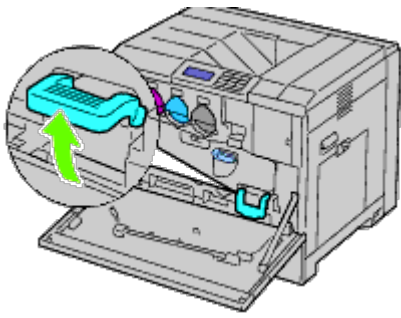
Click **start**® **Run**, and then type **D:\MaintenanceGuide\MaintenanceGuide.exe** (where **D** is the drive letter of your CD), and then click **OK**.

Removing a Waste Toner Box

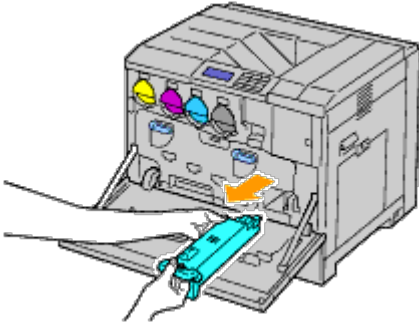
1. Confirm that the printer is not in operation, and open the front cover.



2. Hook your finger over the top of the waste toner box and pull it out towards you.

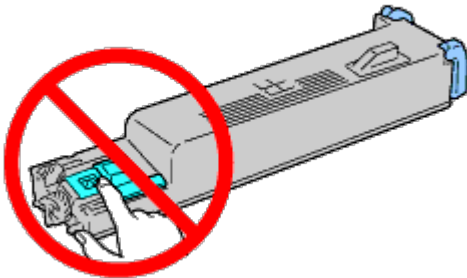


3. Grasp the waste toner box with your other hand as shown in the illustration, and pull it out of the printer.



⚠ **NOTICE:** Take care to avoid dropping the waste toner box while you are removing it.

⚠ **NOTICE:** After removing the waste toner box, do not touch the parts shown in the illustration. Toner can dirty or stain your hands.

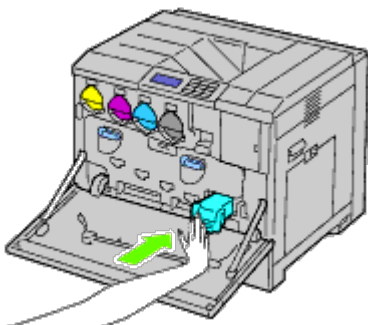


🔪 **NOTE:** Be careful not to spill toner when handling the waste toner box.

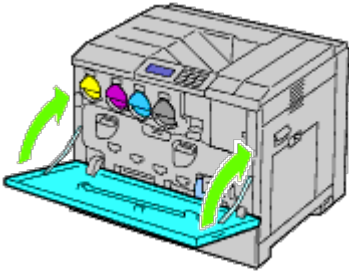
4. Insert the used waste toner box into the plastic bag that came with the new waste toner box and seal the bag.

Installing a Waste Toner Box

1. Insert the new waste toner box into the slot and press it in until it stops.



2. Close the front cover.

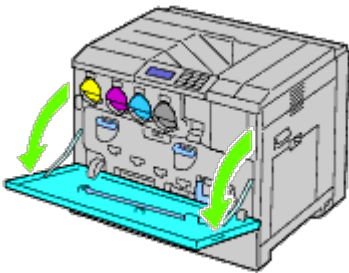


Cleaning Inside the Printer

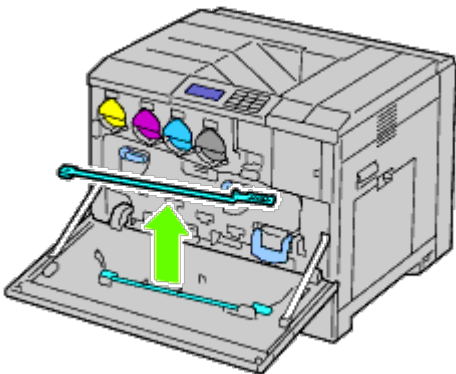
To prevent deterioration of printing quality due to stains inside the printer, clean inside the printer regularly by using the cleaning rod whenever you replace drum cartridges.

⚠ CAUTION: To prevent electric shock, always turn off the printer and disconnect the power cable from the grounded outlet before performing maintenance.

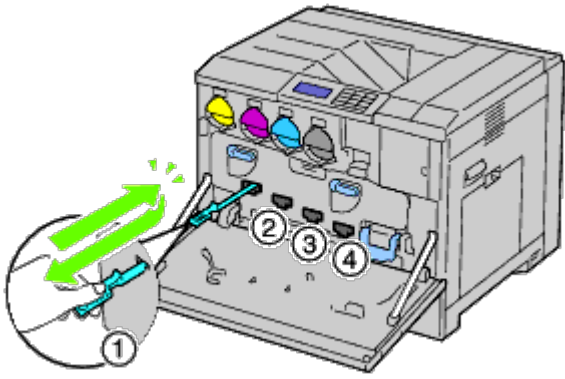
1. Confirm that the printer is not in operation, and open the front cover.



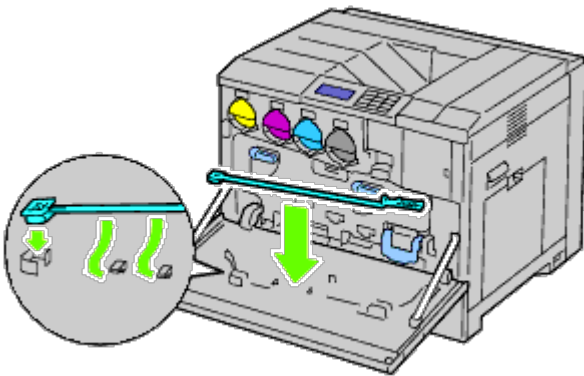
2. Remove the cleaning rod from the backside of the front cover.



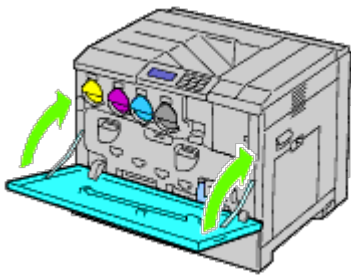
3. Insert the cleaning rod fully into one of the four holes until it clicks into the interior of the printer as illustrated below, and then pull it out.



4. Repeat [Step 3](#) also on the other three holes.
5. Return the cleaning rod to its original location.



6. Close the front cover.



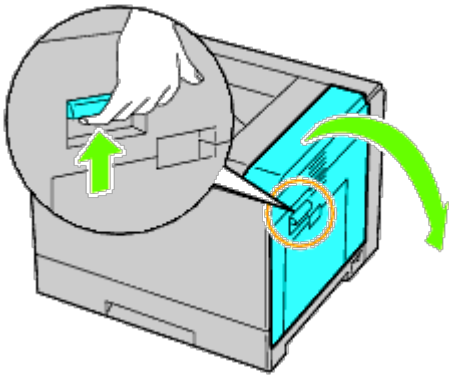
Cleaning the Conductivity Temperature Depth (CTD) Sensor


⚠ CAUTION: To prevent electric shock, always turn off the printer and disconnect the power cable from the grounded outlet before performing maintenance.


➡ NOTICE: Ensure nothing touches or scratches the surface (black-colored film) of the belt unit. Scratches, dirt, or oil from your hands on the film of the belt unit may reduce print quality.

➡ NOTICE: To protect the drum cartridges from overexposure to bright light, close the inner cover within five minutes. If the front cover remains open for more than five minutes, print quality may degrade.

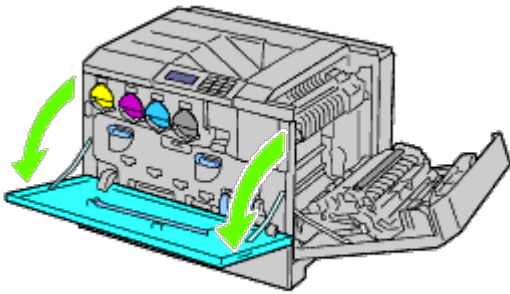
1. Turn off the printer.
2. Raise the latch of the right hand cover and open the cover.



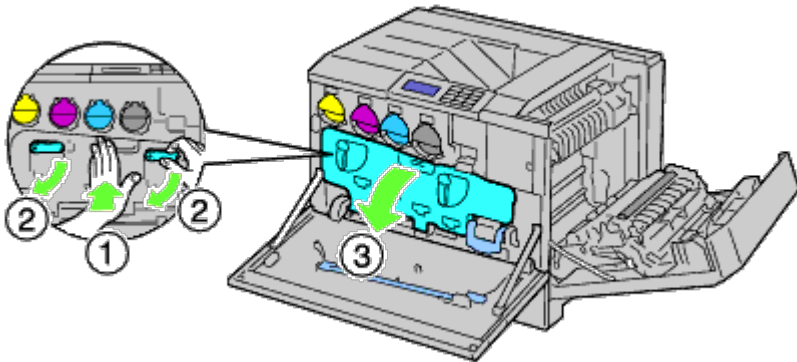
 **NOTE:** Belt unit can be replaced only when the right hand cover is open.

 **NOTE:** Stand straight in front of the right hand cover and not in front of the front cover, whenever you open the right hand cover.

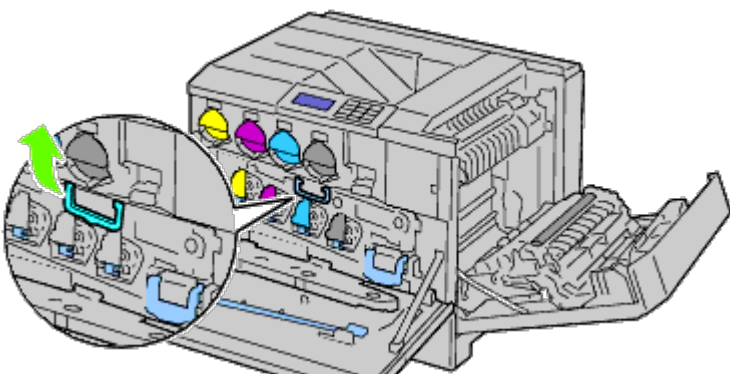
3. Open the front cover.



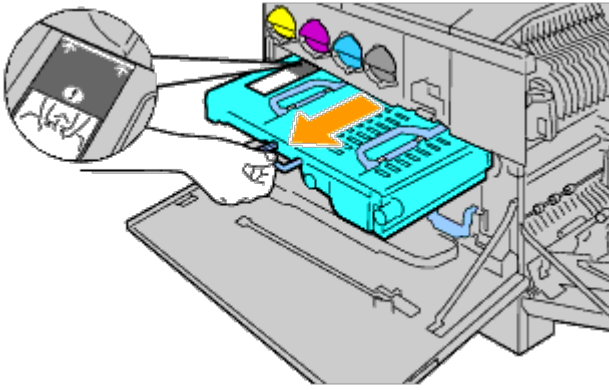
4. Rotate the lock levers of the inner cover to open it.



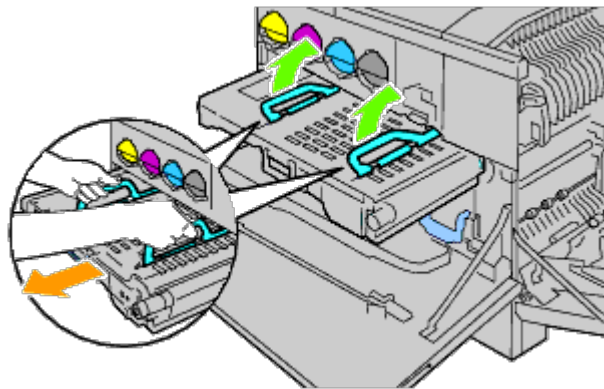
5. Grasp the handle on the front of the belt unit.



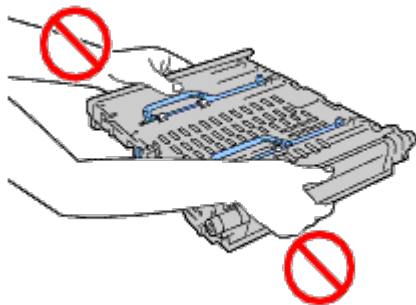
6. Pull out the belt unit until the line on the unit becomes completely visible.



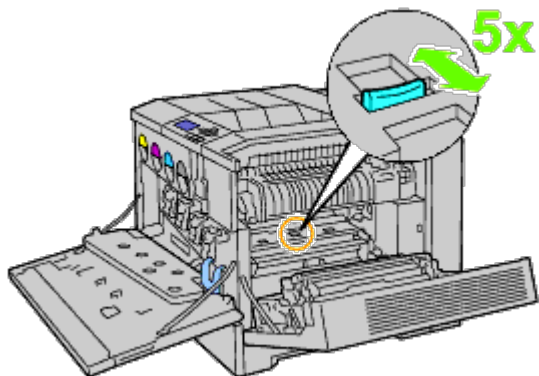
7. Grasp the handles on the top of the belt unit. Pull out the unit to remove it from the printer.



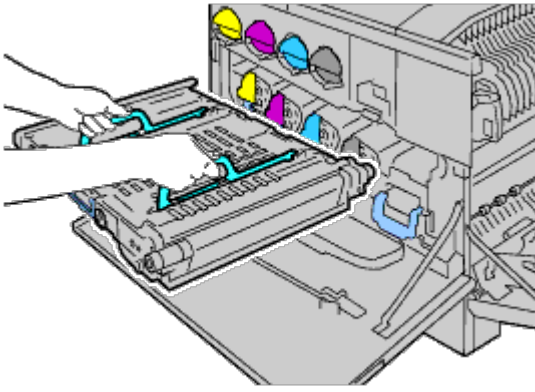
NOTICE: Do not hold the parts shown in the illustration.



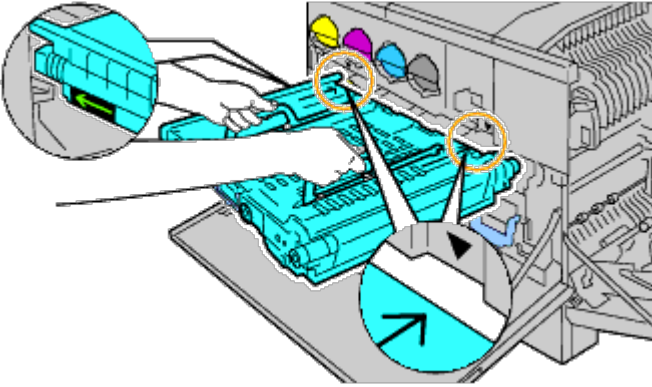
8. Slide the blue tab back and forth five times.



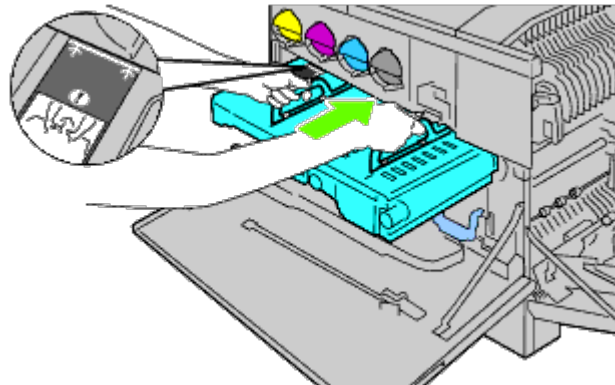
9. Grasp the handles on top of the belt unit.



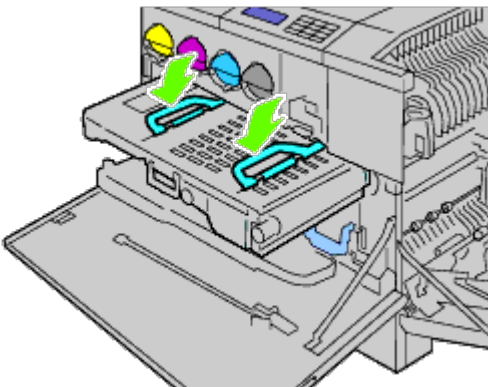
10. Align the arrows on the belt unit with the arrows on the printer.



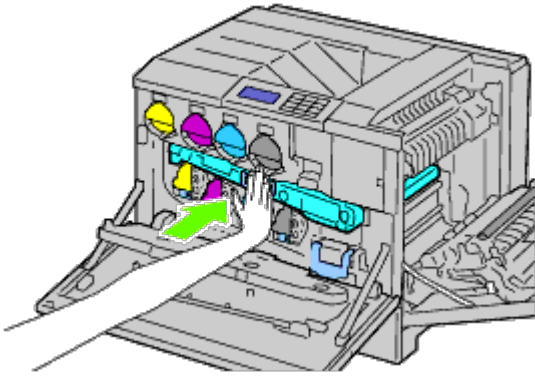
11. Slide the unit into the printer and stop when the visible line reaches the printer.



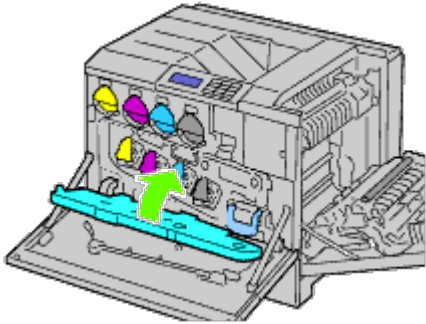
12. Lower the handles.



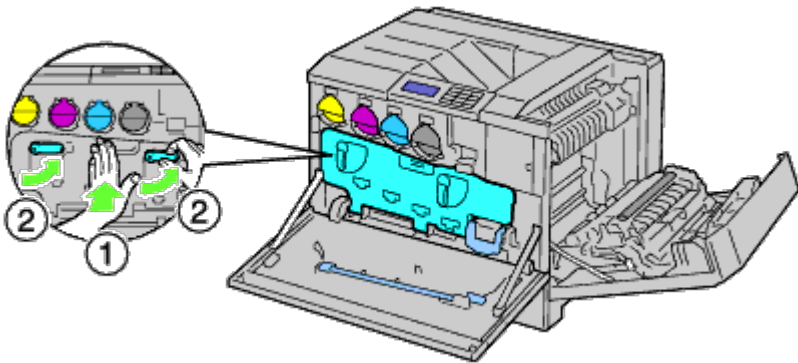
13. Push the front of the belt unit to reinstall it in the printer and until it stops.



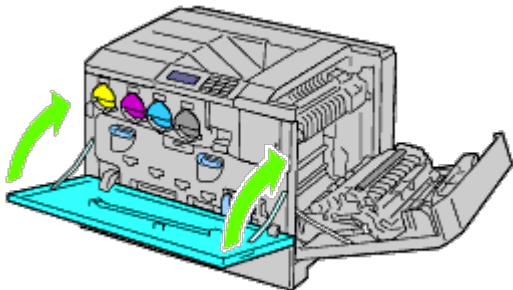
14. Close the inner cover.



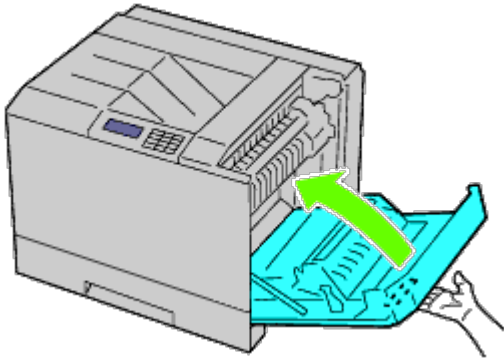
15. Rotate the lock levers to secure the inner cover while pressing the cover with the other hand.



16. Close the front cover.



17. Close the right hand cover.



NOTE: When closing the right hand cover, apply your hand in the vicinity of the handle as shown in the illustration, and then press the cover firmly toward the printer.

NOTE: Stand straight in front of the right hand cover and not in front of the front cover, whenever you close the right hand cover.

Adjusting Color Registration

To adjust the color registration when you first install the printer or after moving it to a new location, follow the procedure below.

Printing the Color Registration Chart

When Using the Operator Panel

1. Press **Menu** button.
2. Press **✓** button until **Admin Menu** is highlighted, and then press **✓ (Set)** button.
3. Press **✓** button until **Maintenance** is highlighted, and then press **✓ (Set)** button.
4. Press **✓** button until **Color Reg Adj** is highlighted, and then press **✓ (Set)** button.
5. Press **✓** button until **Color Regi Chart** is highlighted, and then press **✓ (Set)** button.

The color registration chart is printed.

When Using the Dell Printer Configuration Web Tool

1. Enter the IP address of your printer into the web browser.
If you do not know how to launch the Dell Printer Configuration Web Tool, see "[Dell Printer Configuration Web Tool](#)."
The Dell Printer Configuration Tool opens.
2. Select **Printer Settings**.
3. Click the **Printer Maintenance** tab.
4. Select **Color Registration Adjustment**.

The **Color Registration Adjustment** page is displayed.

5. Click the **Start** button on **Color Regi Chart**.

The color registration chart is printed.

6. Adjust all straight lines to a value of 0. Preview image of before and after adjustment will help.

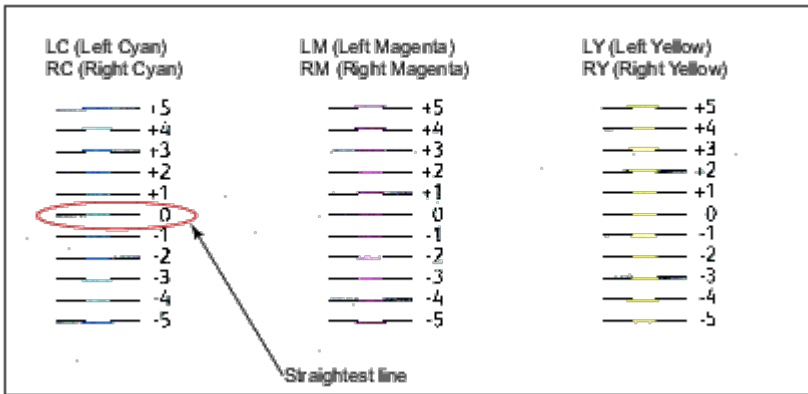
⚠ CAUTION: After printing the color registration chart, do not turn off the printer until the printer motor has stopped running.

🔧 NOTE: If the straightest line does not line up perfectly with 0, then determine a value and adjust the color again.

Determining Values

From the lines to the right of the **Y** (Yellow), **M** (Magenta), and **C** (Cyan) pattern, find the values of the straightest lines.

🔧 NOTE: You can also use the densest colors of the lattice pattern to find the straightest lines. The colors printed at the highest density are those next to the straightest lines. When 0 is the value nearest the straightest line, you do not need to adjust the color registration. When the value is not 0, follow the procedure outlined in "[Entering Values](#)".



Entering Values

When Using the Operator Panel

Using the operator panel, enter the values that you found in the color registration chart to make adjustments.

1. Press **Menu** button.
2. Press **✓** button until Admin Menu is highlighted, and then press **✓ (Set)** button.
3. Press **✓** button until Maintenance is highlighted, and then press **✓ (Set)** button.
4. Press **✓** button until Color Reg Adj is highlighted, and then press **✓ (Set)** button.
5. Press **✓** button until Enter Number is highlighted, and then press **✓ (Set)** button.
The first digit of the Enter Number (for LY, LM, and LC) is highlighted.
6. Press **^** or **✓** button until you reach the value (for example, +3) displayed on the chart.
7. Press **>** button once until the next value is highlighted.
When all values are entered, press **✓ (Set)** button.
The first digit of the Enter Number (for RY, RM, and RC) is highlighted.
8. Repeat [Step 6](#) and then press **>** button once until the next value is highlighted.
When all values are entered, press **✓ (Set)** button.
9. Press **✓** button until Color Regi Chart is highlighted, and then press **✓ (Set)** button.
The color registration chart is printed with the new values.

10. Color registration adjustment is complete when the straightest **Y** (Yellow), **M** (Magenta), and **C** (Cyan) lines are next to the **O** line.

When Using the Dell™ Printer Configuration Web Tool

1. Enter the IP address of your printer into the web browser.
If you do not know how to launch the Dell Printer Configuration Web Tool, see "[Dell Printer Configuration Web Tool](#)."
The Dell Printer Configuration Tool opens.
2. Select **Printer Settings**.
3. Click the **Printer Maintenance** tab.
4. Select **Color Registration Adjustment**.

The **Color Registration Adjustment** page is displayed.

5. Select the value with the straight line respectively, and then click the **Apply New Settings** button.
6. Click the **Start** button on **Color Regi Chart**.
The color registration chart is printed.
7. Adjust all straight lines to a value of 0. Preview image of before and after adjustment will help.



CAUTION: After printing the color registration chart, do not turn off the printer until the printer motor has stopped running.



NOTE: If the straightest line does not line up perfectly with 0, then determine a value and adjust the color again.

[Back to Contents Page](#)

Removing Options

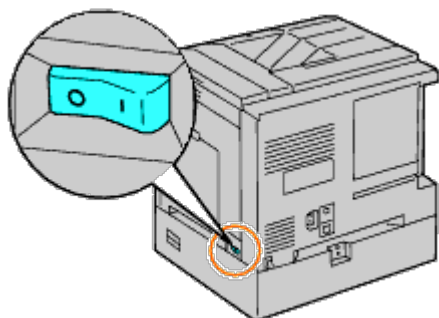
- [Removing the 550-Sheet Feeder](#)
- [Removing the 1100-Sheet Feeder](#)
- [Removing an Output Expander](#)
- [Removing a Memory](#)
- [Removing a Hard Disk](#)
- [Removing the Wireless Adapter](#)

If the printer location needs to change or the printer and print media handling options need to be shipped to a new location, all print media handling options must be removed from the printer. For shipping, pack the printer and print media handling options securely to avoid damage.

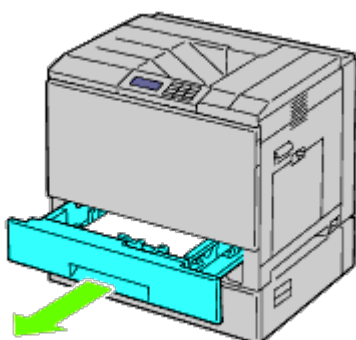
Removing the 550-Sheet Feeder

⚠ CAUTION: If you are removing the 550-sheet feeder, be sure to turn off the printer, unplug the power cable, and disconnect all cables from the back of the printer before completing these tasks.

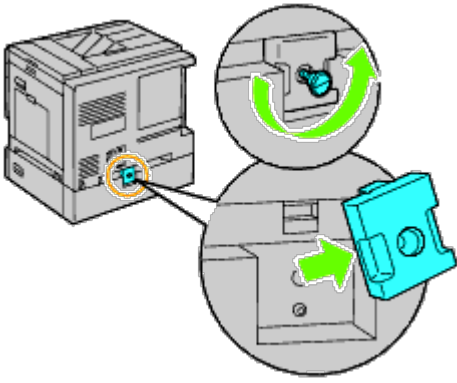
1. Turn off the printer and unplug the power cable. Then, disconnect all cables from the back of the printer.



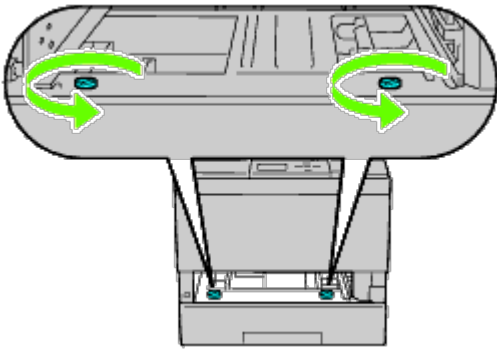
2. Pull the tray out of the printer until it stops. Hold the tray with both hands, lift the front slightly, and remove it from the printer.



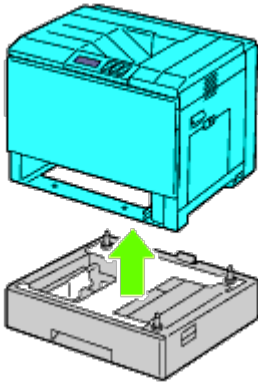
3. Remove the plastic part and the two screws provided with the feeder by unscrewing them with a coin or similar object.



4. Remove the two screws joining the printer and the sheet feeders by unscrewing them with a coin or similar object.

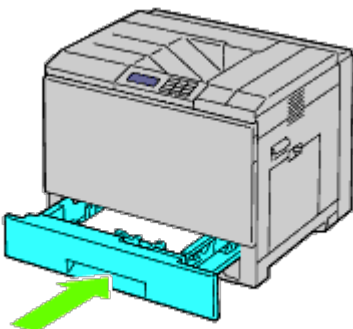


5. Gently lift the printer off the tray module, and place it on a level surface.

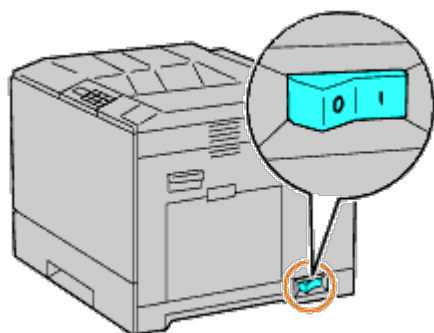


⚠ CAUTION: To lift the printer safely, lift it with three people.

6. Insert the tray into the printer, and push it until it stops.



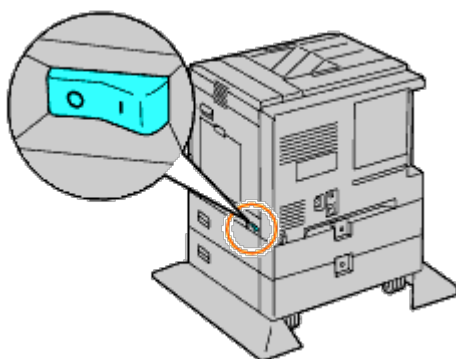
7. Reconnect all cables including the power cable into the back of the printer and turn on the printer.



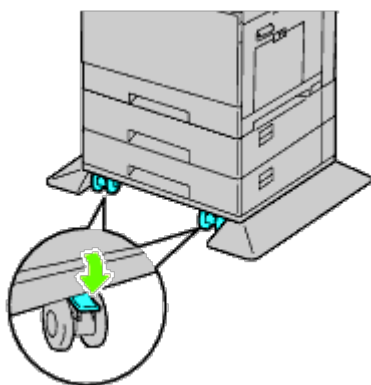
Removing the 1100-Sheet Feeder

⚠ CAUTION: If you are removing the 1100-sheet feeder, be sure to turn off the printer, unplug the power cable, and disconnect all cables from the back of the printer before completing these tasks.

1. Turn off the printer and unplug the power cable. Then, disconnect all cables from the back of the printer.



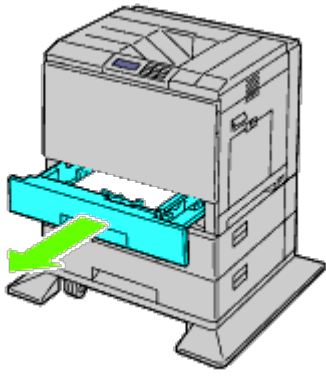
2. Lock down the brakes of the two casters at the front of the optional 1100-sheet feeder.



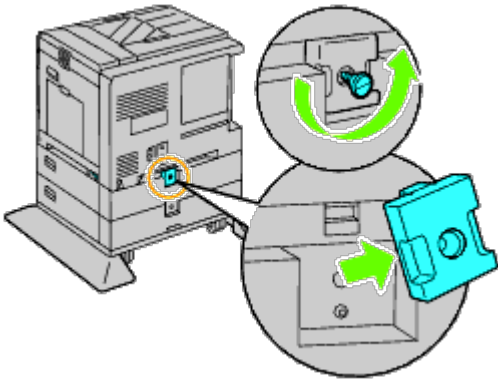
⚠ CAUTION: Failure to lock the brakes can cause the printer to move unexpectedly, resulting in injury.

🔧 NOTE: For easier and safer locking, make the brakes of the two casters face forward by pushing the 1100-sheet feeder backward.

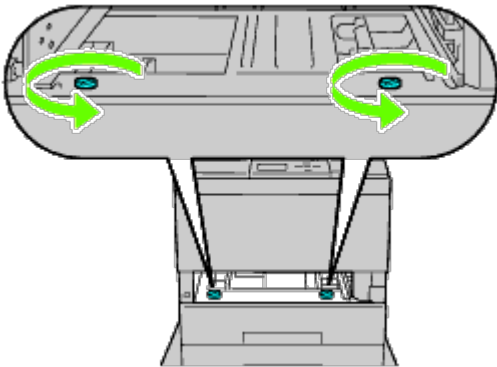
3. Pull the tray out of the printer until it stops. Hold the tray with both hands, lift the front of the tray slightly, and remove it from the printer.



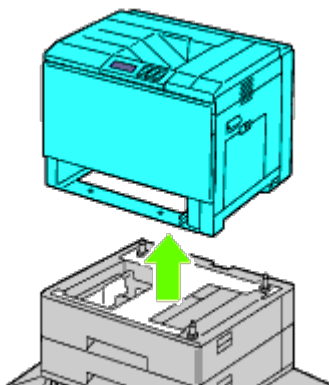
4. Remove the plastic part and the longer screw provided with the feeder by unscrewing them with a coin or similar object.



5. Remove the two screws joining the printer and the sheet feeders by unscrewing them with a coin or similar object.

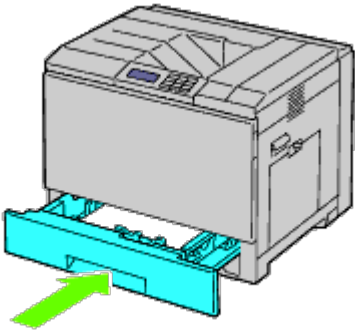


6. Gently lift the printer off the tray module, and place it on a level surface.



⚠ CAUTION: To lift the printer safely, lift it with three people.

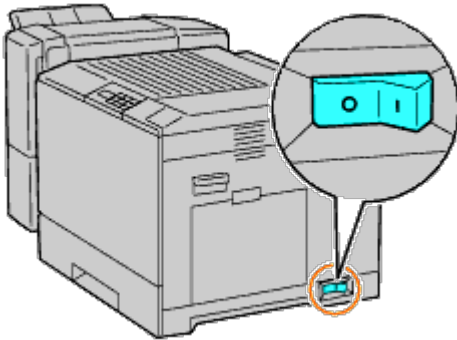
7. Insert the tray into the printer, and push it until it stops.



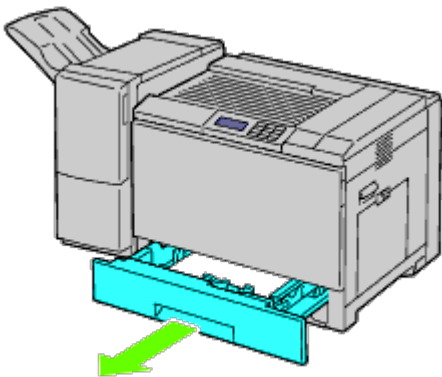
8. Reconnect all cables including the power cable into the back of the printer and turn on the printer.

Removing an Output Expander

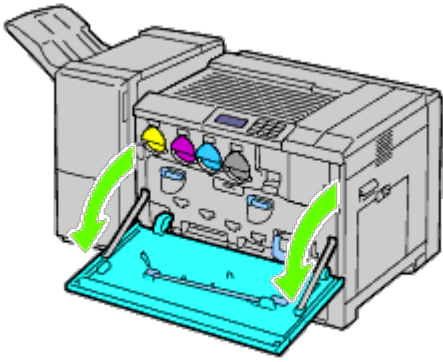
1. Turn off the printer.



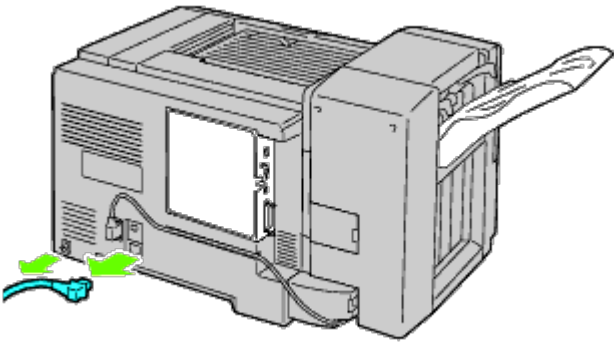
2. Remove tray 1.



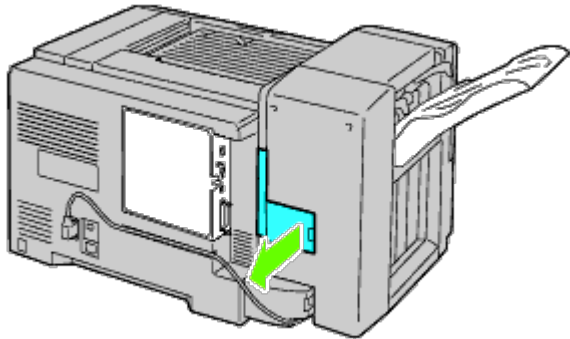
3. Open the front cover.



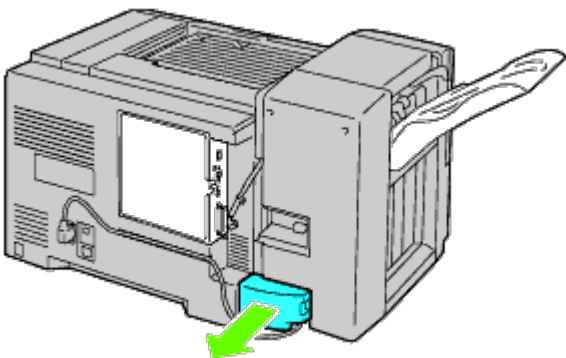
4. Unplug the cables and the connector from the socket.



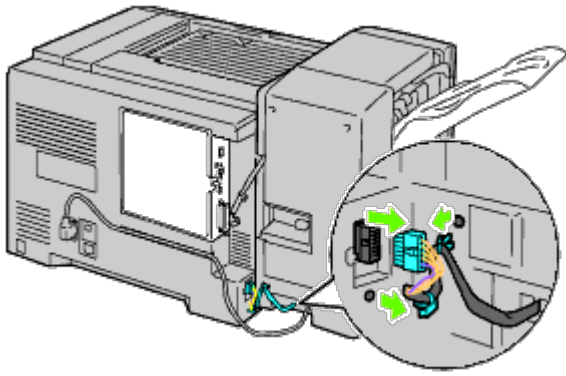
5. Remove connector cover 1.



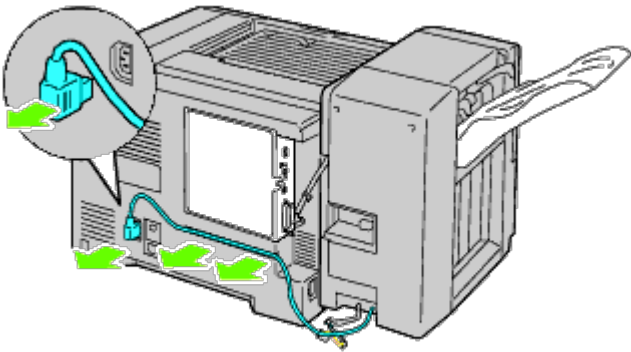
6. Remove connector cover 2.



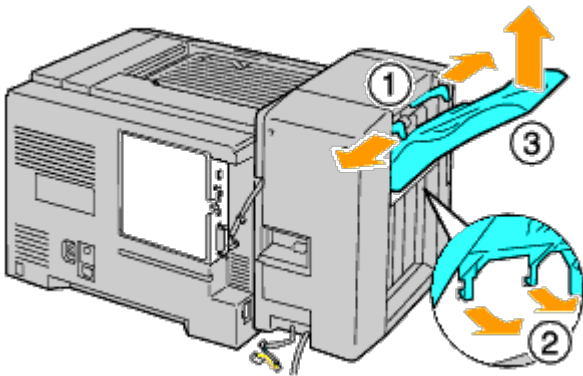
7. Unplug the cables and connector from the socket.



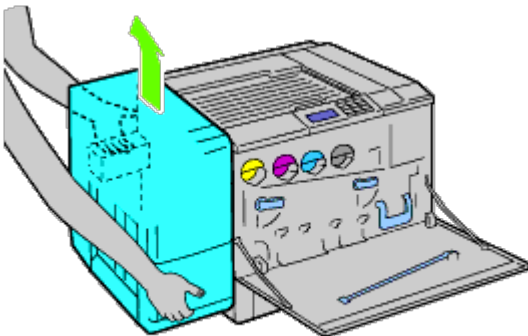
8. Unplug power cable as shown in the illustration.



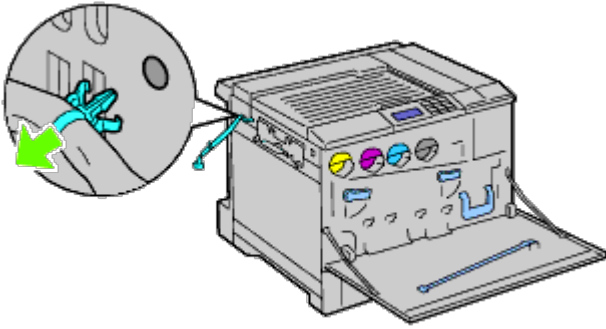
9. Remove the stacker tray.



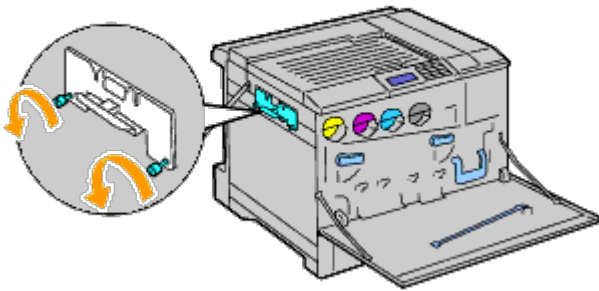
10. Gently lift up the output expander from the printer.



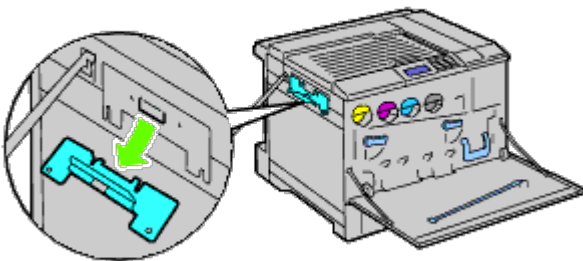
11. Unplug the cables.



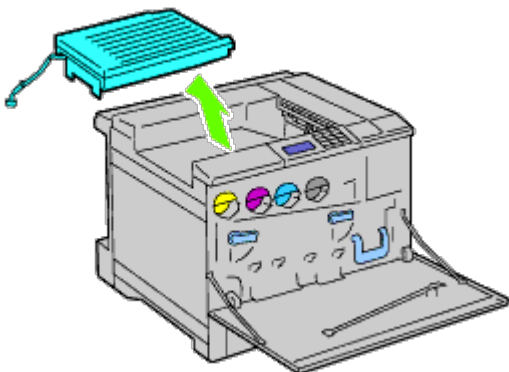
12. Remove the two screws.



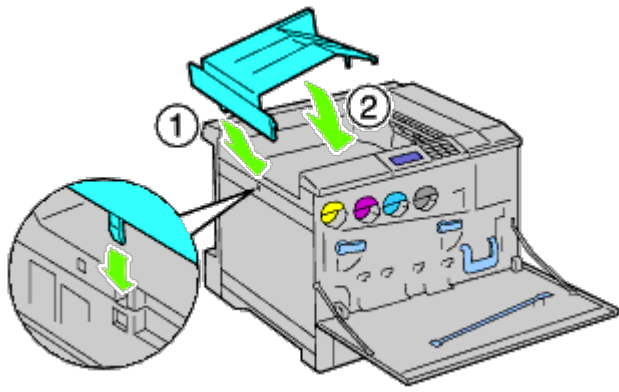
13. Remove the bracket.



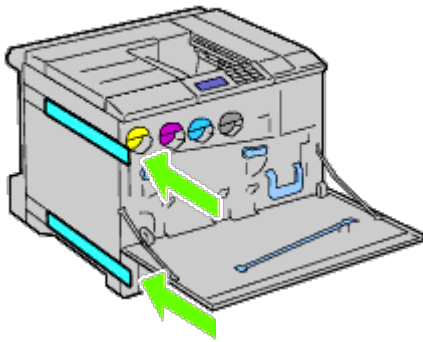
14. Remove the H transport unit from the printer.



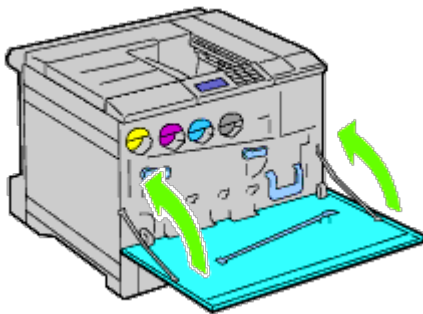
15. Insert the center output tray.



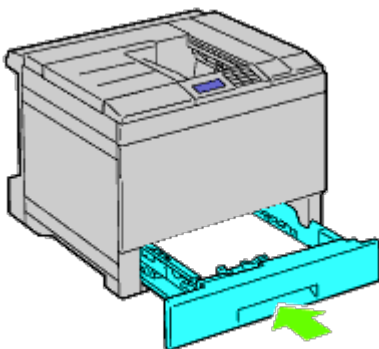
16. Attach the two parts to the printer.



17. Close the front cover.

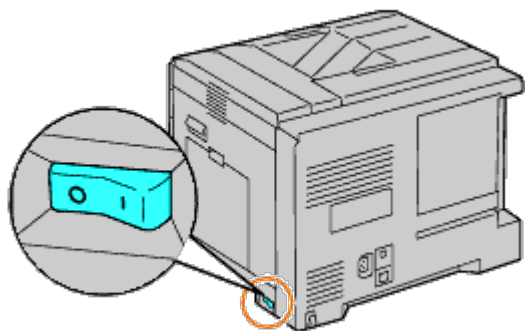


18. Return the tray 1 to its original position.

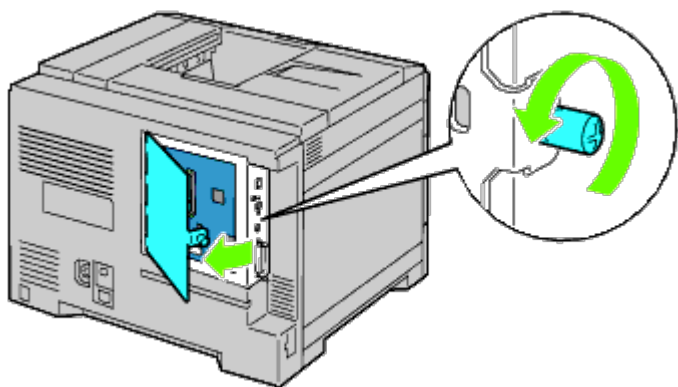


Removing a Memory

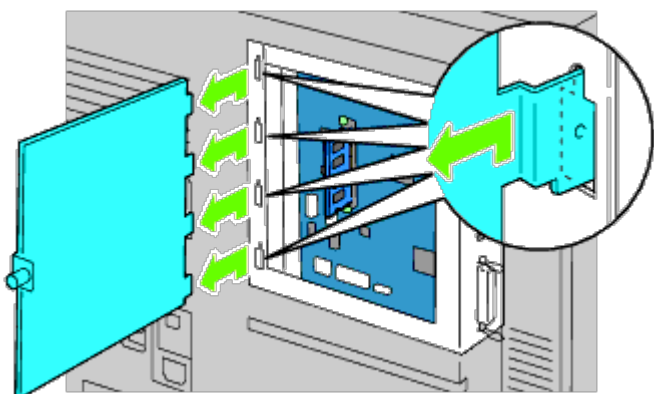
1. Ensure that the printer is turned off.



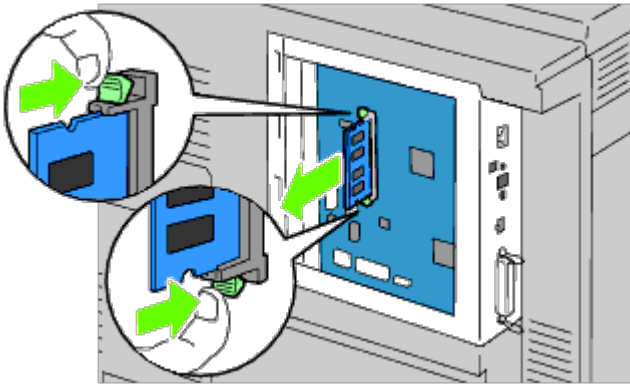
2. Rotate the screw counterclockwise on the metal casing to open the cover.



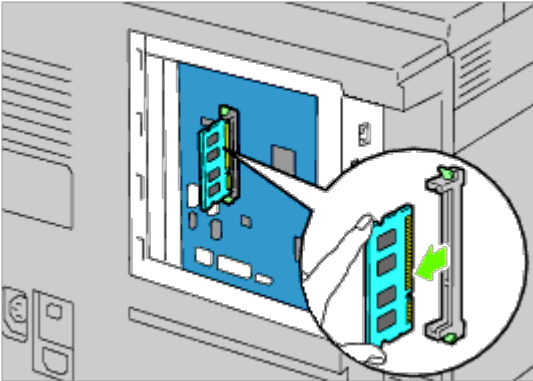
3. Remove the control board cover.



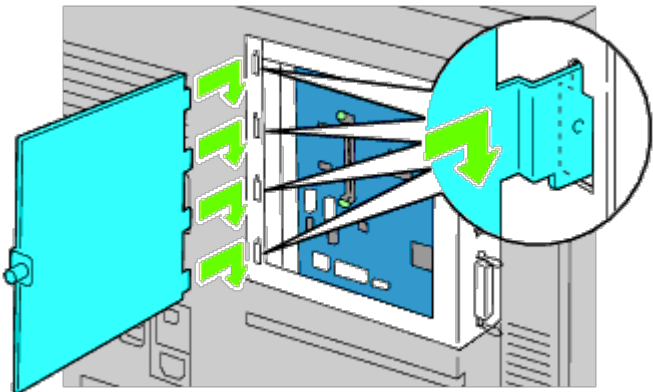
4. Push the latches on both edges of the socket at the same time to raise the memory up.



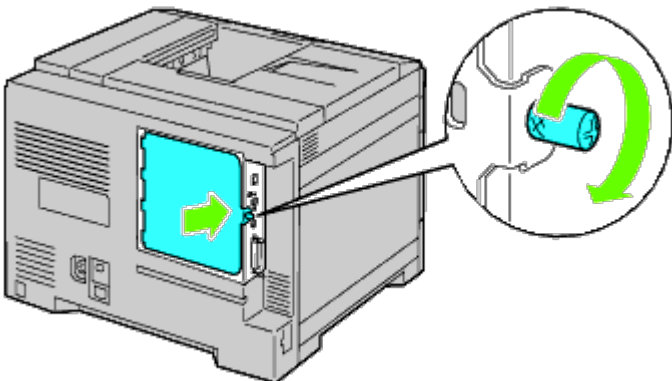
5. Hold the memory and pull it out.



6. Replace the control board cover.

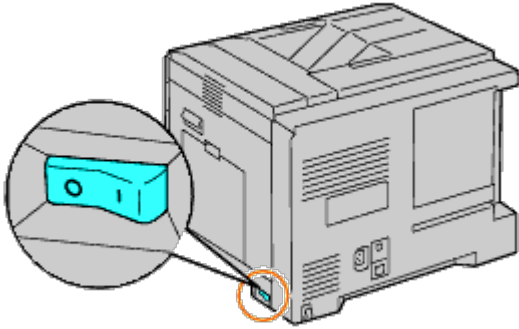


7. Close the control board cover and turn the screw clockwise.

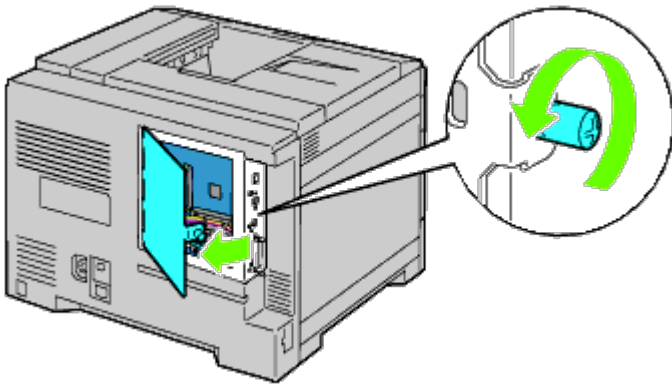


Removing a Hard Disk

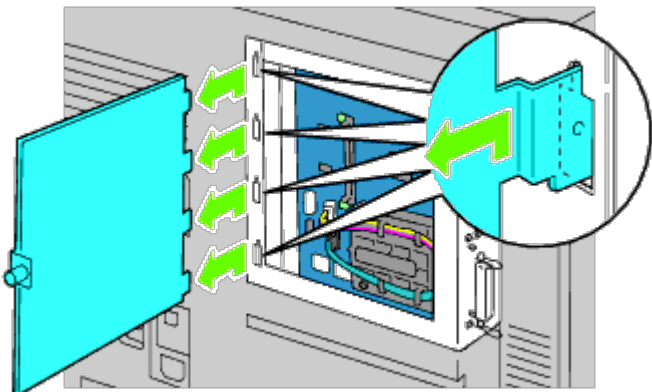
1. Ensure that the printer is turned off.



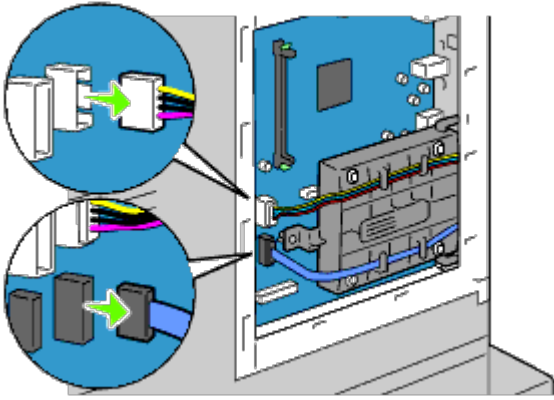
2. Rotate the screw counterclockwise on the metal casing to open the cover.



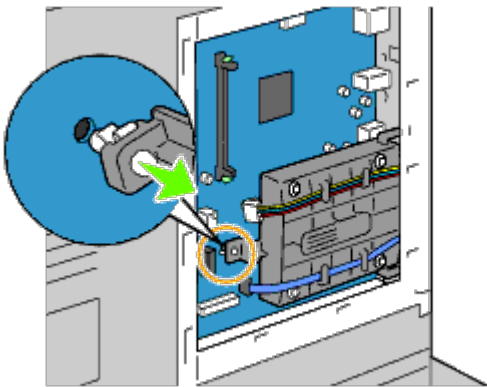
3. Remove the control board cover.



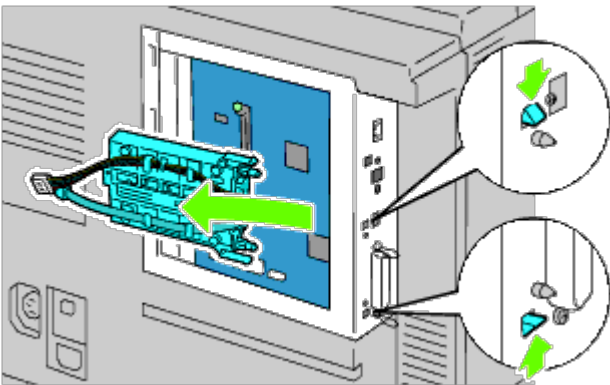
4. Remove the hard disk cables from the connectors of the control board.



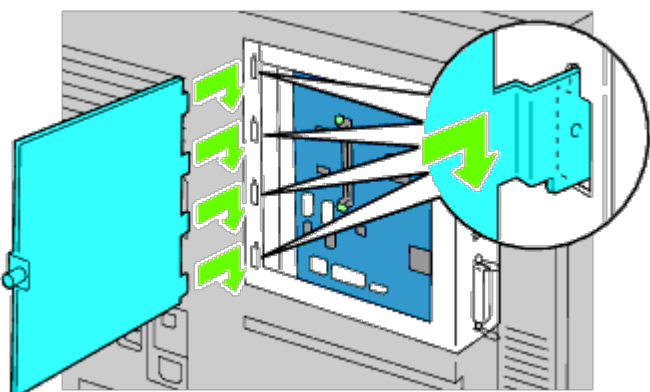
5. Remove the left side connector to the control board.



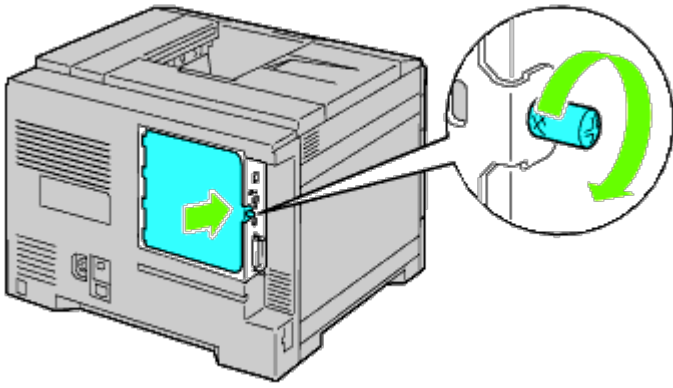
6. Remove the hard disk from the printer by releasing the hard disk's hook.



7. Replace the control board cover.

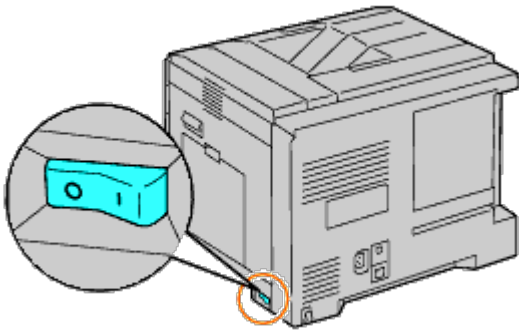


8. Close the control board cover and turn the screw clockwise.

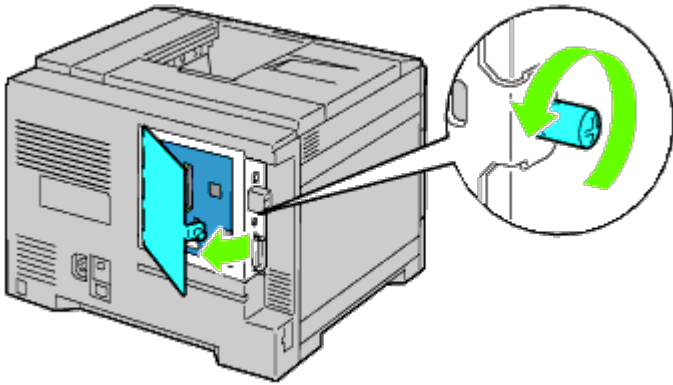


Removing the Wireless Adapter

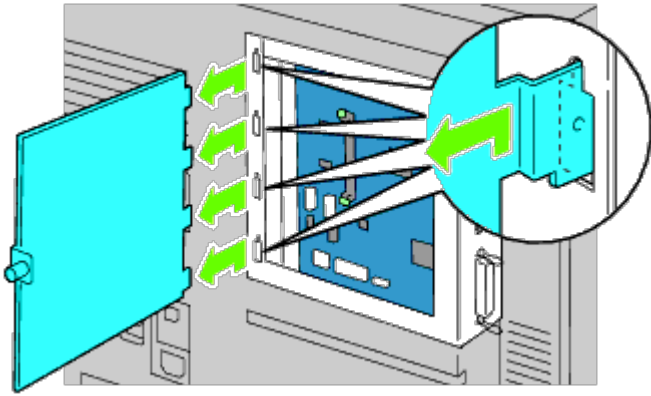
1. Turn off the printer and unplug the power cable. Then, disconnect all cables from the back of the printer.



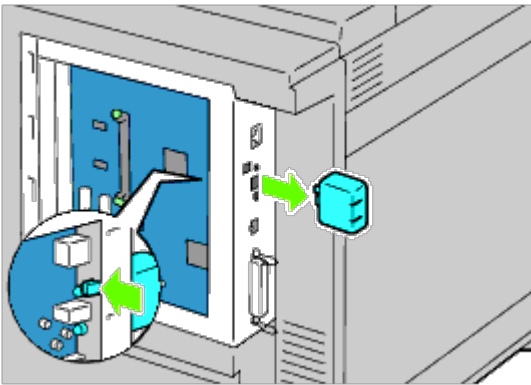
2. Rotate the screw counterclockwise on the metal casing to open the cover.



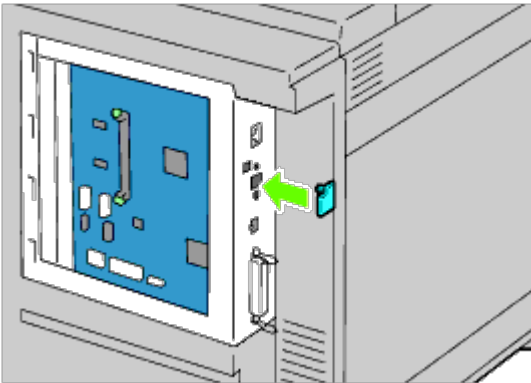
3. Remove the control board cover.



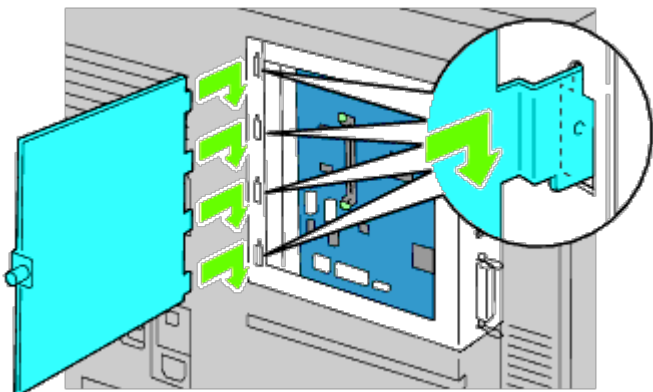
4. Remove the wireless adapter from the printer by releasing the adapter's hook from underside of the wireless adapter socket.



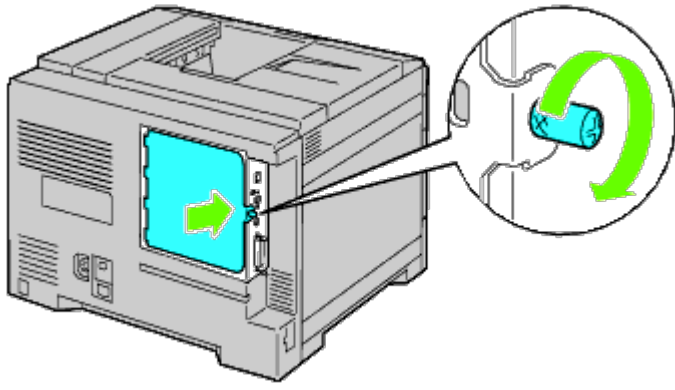
5. Insert the cap into the wireless adapter socket.



6. Replace the control board cover.



7. Close the control board cover and turn the screw clockwise.




[Back to Contents Page](#)

Clearing Jams

- [Avoiding Jams](#)
- [Identifying the Location of Paper Jams](#)
- [Clearing Paper Jams From the MPF](#)
- [Clearing Paper Jams From the Standard Tray](#)
- [Clearing Paper Jams From the Fuser](#)
- [Clearing Paper Jams From the Duplexer](#)
- [Clearing Paper Jams From the Optional Feeder](#)
- [Clearing Paper Jams From the Output Expander](#)

Careful selection of appropriate print media and proper loading allow you to avoid most jams. See "[Print Media Guidelines](#)" for more information.

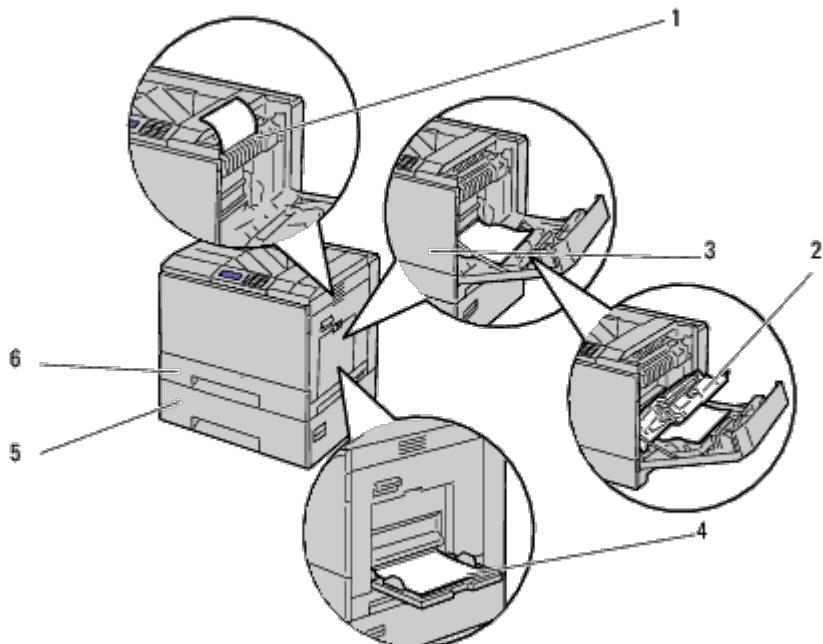
 **NOTE:** It is recommended that you try a sample first before buying large quantities of any print media.

Avoiding Jams

- Use only recommended print media. See "[Print Media Guidelines](#)" for more information.
 - See "[Loading Print Media in Standard and Optional Trays](#)" and "[Loading Print Media in the MPF](#)" to load printer media properly.
 - Do not overload the print media sources. Ensure the stack print media height does not exceed the maximum height indicated by the load line labels in the trays.
 - Do not load wrinkled, creased, damp, or curled print media.
 - Flex, fan, and straighten print media before you load it. If a jam occurs with print media, try feeding one sheet at a time through the multipurpose feeder (MPF).
 - Do not use print media that you have cut or trimmed yourself.
 - Do not mix print media sizes, weights, or types in the same print media source.
 - Ensure that the recommended print side is face up when you insert the print media. Also, the recommended print side should be face down when using the MPF.
 - Keep print media stored in an acceptable environment. For more information, see "[Storing Print Media](#)."
 - Do not remove the feeding tray during a print job.
 - Push all trays in firmly after loading them.
 - Ensure that all cables that connect to the printer are correctly attached.
 - Overtightening the guides may cause jams.
 - Wipe the feeder rollers in the trays or MPF with a cloth that is slightly dampened with water if jams caused by misfeeding paper occur frequently.
-

Identifying the Location of Paper Jams

The following illustration shows where paper jams may occur along the print media path.



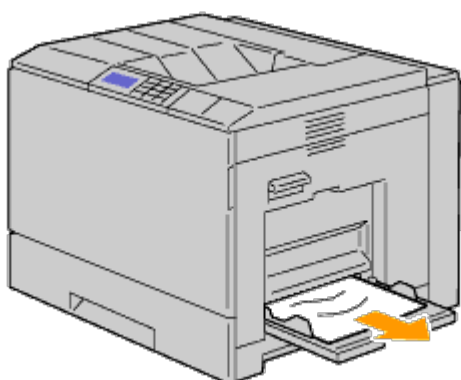
⚠ CAUTION: Do not attempt to clear any jams using tools or instruments. This may permanently damage the printer.

1	Fuser
2	Duplexer
3	Front Cover
4	MPF
5	550-Sheet Feeder (optional)
6	Tray 1

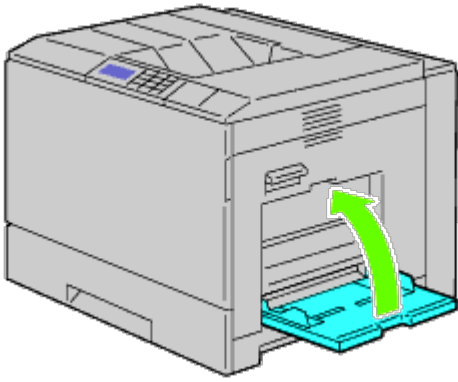
Clearing Paper Jams From the MPF

🔧 NOTE: To resolve the error displayed on the operator panel, you must clear all print media from the print media path.

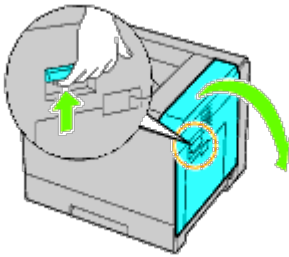
1. Remove any paper loaded on or jammed in the MPF.



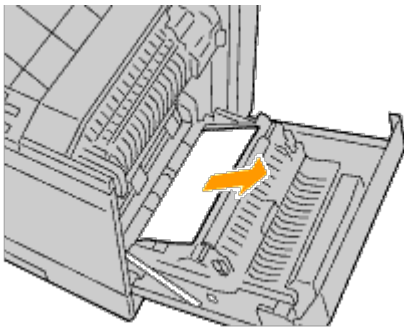
2. Close the MPF.



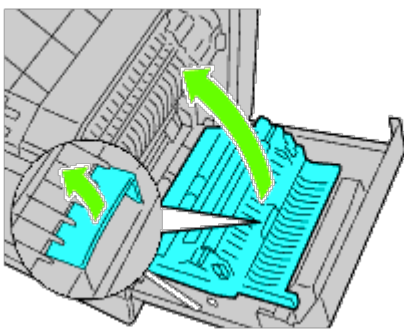
3. Raise the latch on the handle of the right hand cover to open the cover.



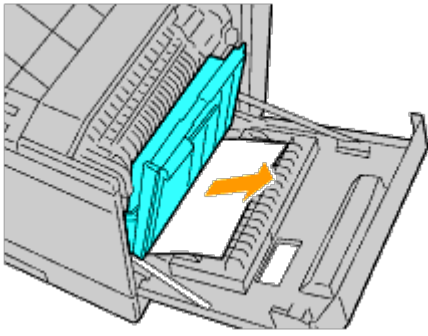
4. Remove any remaining pieces of paper jammed in the MPF.



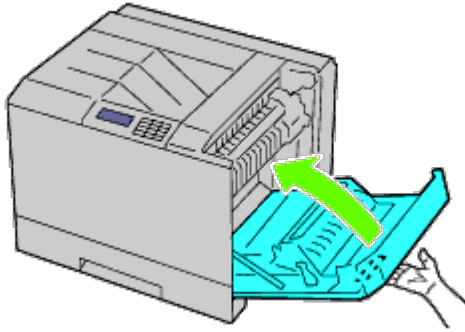
5. Use the handle to lift the duplexer.



6. Remove any remaining pieces of paper.



7. Close the right hand cover.



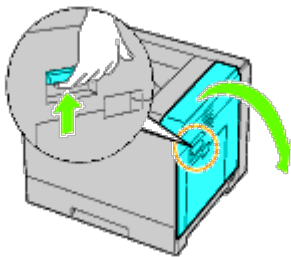
NOTE: When closing the right hand cover, apply your hand in the vicinity of the handle as shown in the illustration, and then press the cover firmly toward the printer.

NOTE: Stand straight in front of the right hand cover and not in front of the front cover, whenever you close the right hand cover.

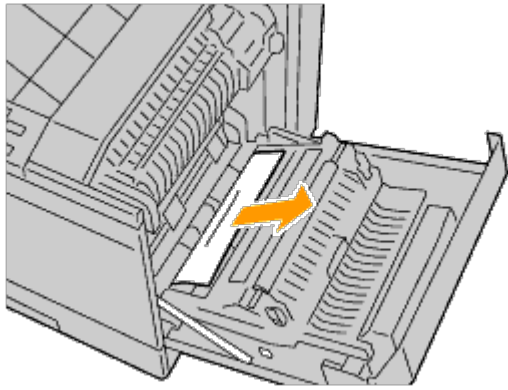
Clearing Paper Jams From the Standard Tray

NOTE: To resolve the error displayed on the operator panel, you must clear all print media from the print media path.

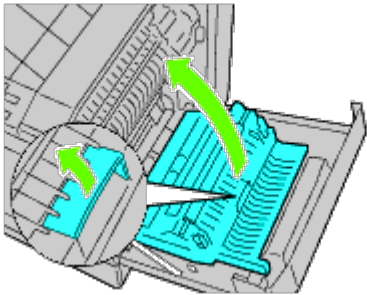
1. Raise the latch on the handle of the right hand cover to open the cover.



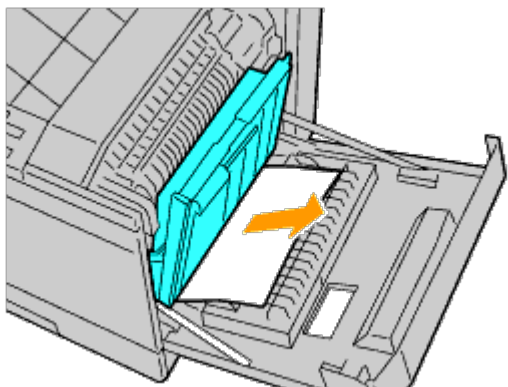
2. Remove the jammed paper.



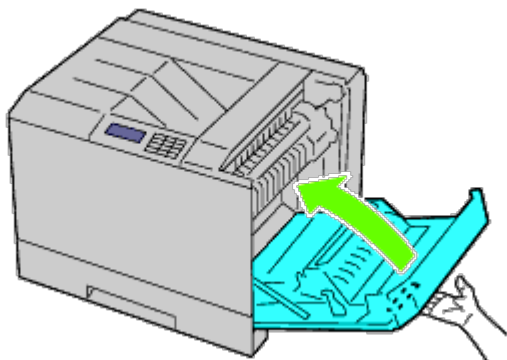
3. Use the handle to lift the duplexer.





4. Remove any remaining pieces of paper.



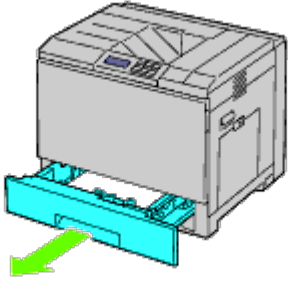
5. Close the right hand cover.



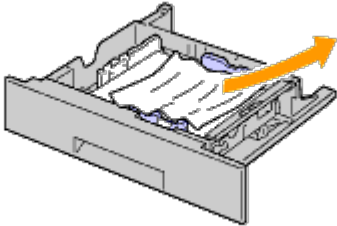
 **NOTE:** When closing the right hand cover, apply your hand in the vicinity of the handle as shown in the illustration, and then press the cover firmly toward the printer.

 **NOTE:** Stand straight in front of the right hand cover and not in front of the front cover, whenever you close the right hand cover.

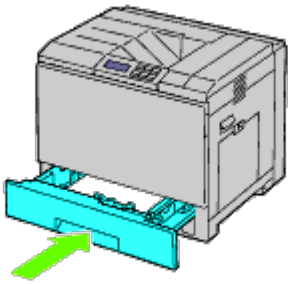
6. Remove tray 1 from the printer.



7. Remove any paper jammed, creased or both from tray 1.




8. Replace tray 1 in the printer.



Clearing Paper Jams From the Fuser


 **CAUTION:** Before performing any of the following procedures, read and follow the safety instructions in your *Product Information Guide*.

 **CAUTION:** To prevent electric shock, always turn off the printer and disconnect the power cable from the grounded outlet before performing maintenance.

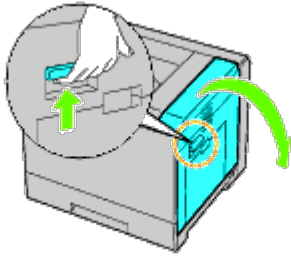
 **NOTE:** Video instructions are also available in the *Maintenance Guide*.

The *Maintenance Guide* is included in the *Drivers and Utilities* CD provided with your printer.

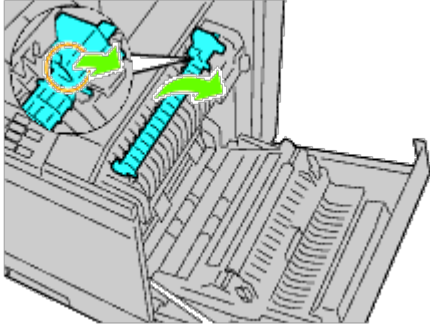
 **CAUTION:** To avoid burns, do not clear paper jams immediately after printing. The fuser becomes extremely hot during use.

 **NOTE:** To resolve the error displayed on the operator panel, you must clear all print media from the print media path.

1. Raise the latch on the handle of the right hand cover to open the cover.

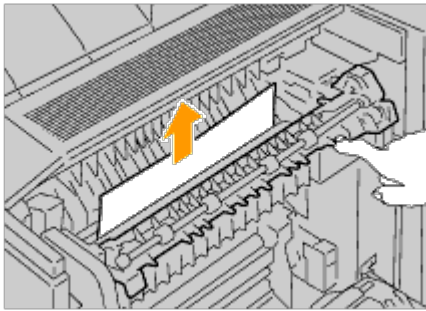


2. Hold and lower the tab to open the inner part.

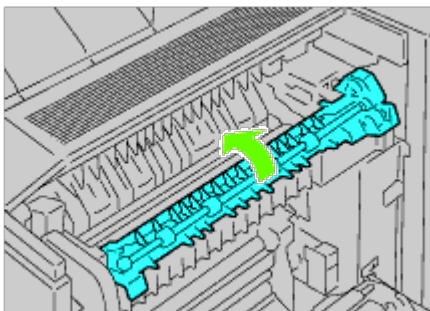


⚠ CAUTION: Be careful not to touch the fuser. It can burn your fingers.

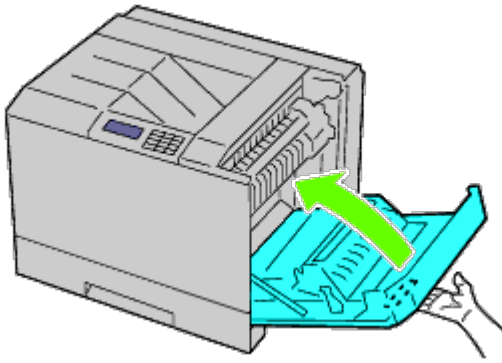
3. Remove the jammed paper.



4. Replace the inner part.



5. Close the right hand cover.



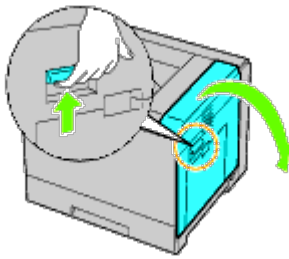
NOTE: When closing the right hand cover, apply your hand in the vicinity of the handle as shown in the illustration, and then press the cover firmly toward the printer.

NOTE: Stand straight in front of the right hand cover and not in front of the front cover, whenever you close the right hand cover.

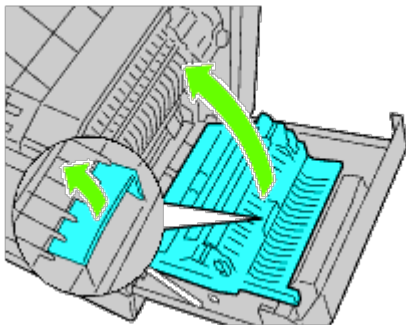
Clearing Paper Jams From the Duplexer

NOTE: To resolve the error displayed on the operator panel, you must clear all print media from the print media path.

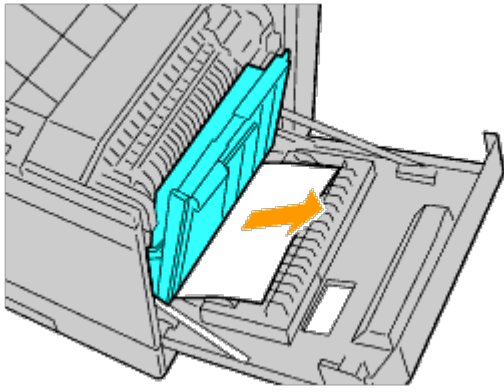
1. Open the right hand cover.



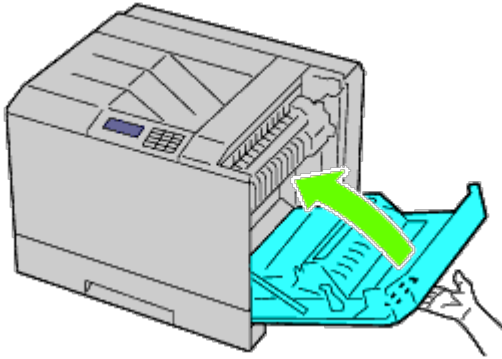
2. Use the handle to lift the duplexer.





3. Remove any paper from the duplexer.




4. Close the right hand cover.



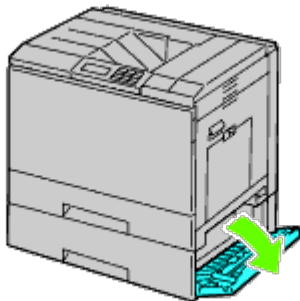
 **NOTE:** When closing the right hand cover, apply your hand in the vicinity of the handle as shown in the illustration, and then press the cover firmly toward the printer.

 **NOTE:** Stand straight in front of the right hand cover and not in front of the front cover, whenever you close the right hand cover.

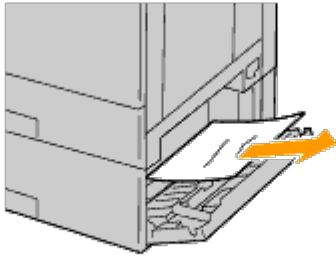
Clearing Paper Jams From the Optional Feeder

 **NOTE:** To resolve the error displayed on the operator panel, you must clear all print media from the print media path.

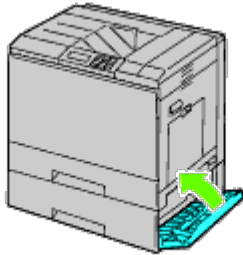
1. Open the right hand cover of the optional feeder where paper is jammed.



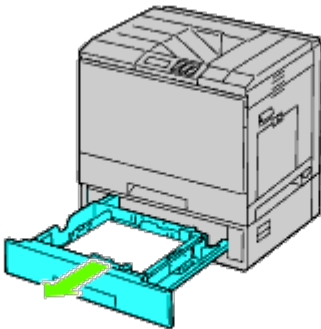
2. Remove the jammed paper.



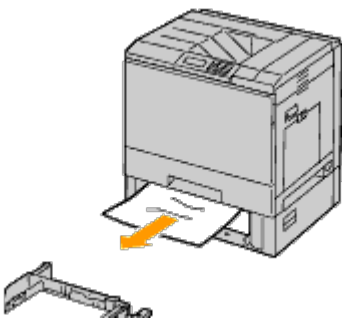
3. Close the right hand cover of the optional feeder.



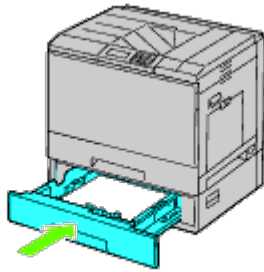
4. Remove the tray from the same feeder.



5. Remove any paper jammed, creased or both from the feeder.




6. Replace the feeder in the printer.

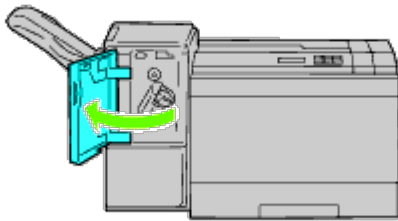


Clearing Paper Jams From the Output Expander

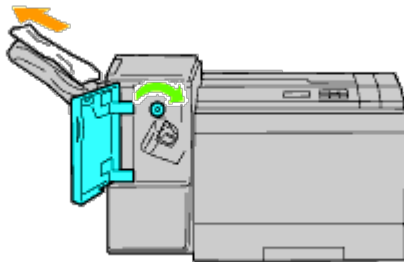
Clearing Paper Jams From Inside the Output Expander


 **NOTE:** To resolve the error displayed on the operator panel, you must clear all print media from the print media path.

1. Ensure that the printer is not in operation, and open the front door of the output expander.

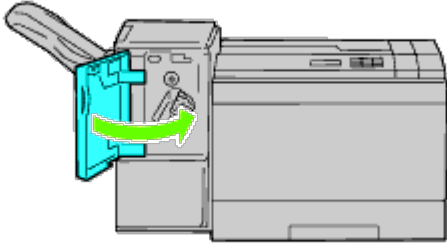


2. Rotate the knob clockwise and remove the jammed paper from the paper exit of the output expander.

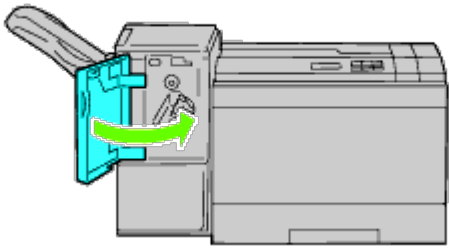


 **NOTICE:** If the paper jam message remains, repeat the same procedure.


3. Close the front door of the output expander.



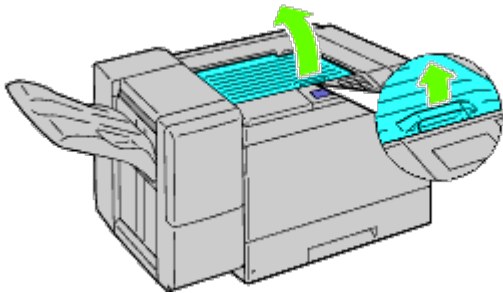
4. If the paper jam message remains, repeat [Step 1](#) and [Step 2](#).
5. Close the front door of the output expander.



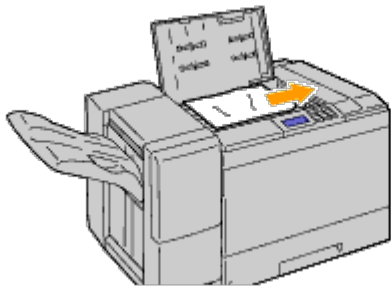
Clearing Paper Jams From H Transport Unit

 **NOTE:** To resolve the error displayed on the operator panel, you must clear all print media from the print media path.

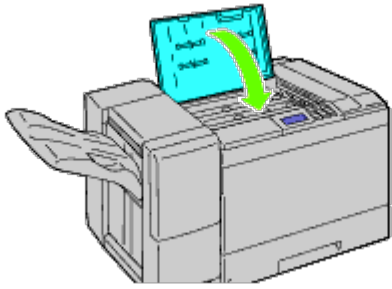
1. Grasp the top cover handle of the output expander and open the cover.



2. Remove the jammed paper.

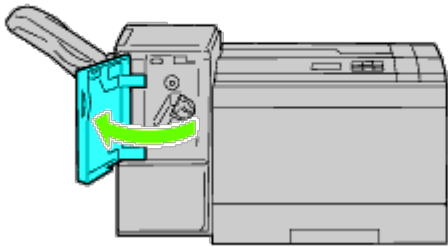


3. Close the top cover of the output expander.

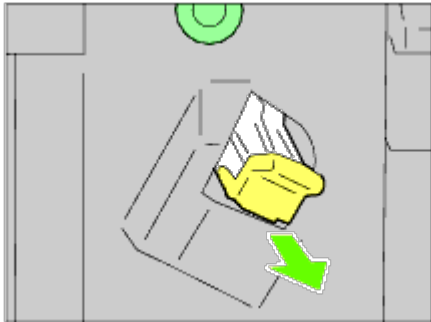


Clearing Staple Jams From the Output Expander

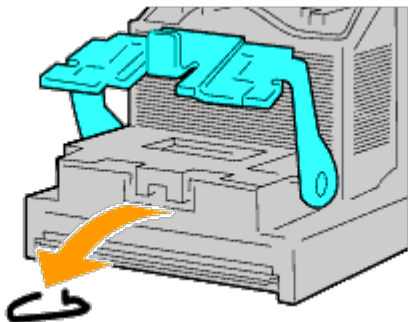
1. Ensure that the printer is not in operation, and open the front door of the output expander.



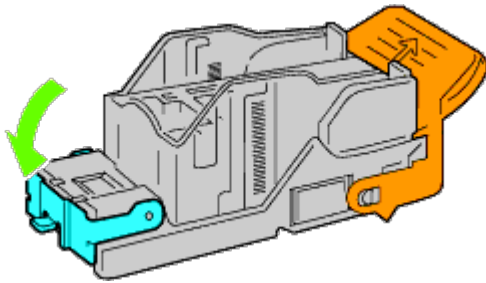
2. Grasp the orange lever on the stapler cartridge and pull out the cartridge.



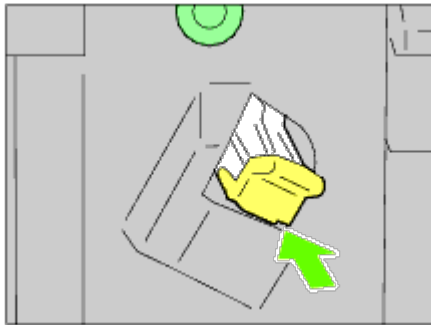
3. Visually check inside the output expander for any remaining staples.
4. Lift the metal part of the stapler cartridge.
5. Remove any staples jammed in the stapler cartridge.



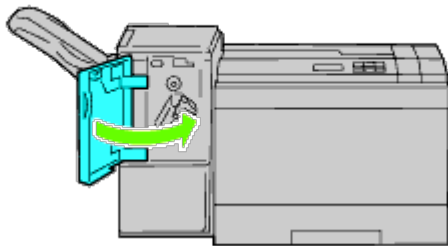
6. Close the metal part.



7. Grasp the orange lever on the stapler cartridge and push the cartridge in the printer until it clicks into place.



8. Close the front door of the output expander.



[Back to Contents Page](#)

Troubleshooting

- [Basic Printer Problems](#)
- [Display Problems](#)
- [Printing Problems](#)
- [Print Quality Problems](#)
- [Jam/Alignment Problems](#)
- [Noise](#)
- [Digital Certificate Problem](#)
- [Problems with Installed Optional Accessories](#)
- [Other Problems](#)
- [Contacting Service](#)

Basic Printer Problems

Some printer problems can be easy to resolve. If a problem occurs with your printer, check each of the following:

- The power cable is plugged into the printer and a properly grounded electrical outlet.
- The printer's power is on.
- The electrical outlet is not turned off at any switch or breaker.
- Other electrical equipment plugged into the outlet is working.
- All options are properly installed.

If you have checked all of the above and still have a problem, turn off the printer, wait for 10 seconds, and then turn on the printer. This often fixes the problem.

Display Problems

Problem	Action
After the printer is turned on, the display on the operator panel is blank, keeps showing <code>Please wait...</code> , or the back light is not lit.	<ul style="list-style-type: none">• Turn off the printer, wait for 10 seconds, and turn on the printer.• Self Test Message appears on the operator panel. When the test is completed, <code>Ready to Print</code> is displayed.
Menu settings changed from the operator panel have no effect.	<p>Settings in the software program, the printer driver, or the printer utilities are overriding the settings made on the operator panel.</p> <ul style="list-style-type: none">• Change the menu settings from the printer driver, the printer utilities, or the software program instead of the operator panel.

Printing Problems

Problem	Action
---------	--------

Job did not print or incorrect characters printed.	Ensure <code>Ready to Print</code> appears on the operator panel before you send a job to print. Press Menu button to return to <code>Ready to Print</code> .
	Ensure print media is loaded in the printer. Press Menu button to return to <code>Ready to Print</code> .
	Verify the printer is using the correct page description language (PDL).
	Verify that you are using the correct printer driver.
	Ensure you are using the correct Ethernet, USB, Parallel cable, or wireless adapter and that it is securely connected to the printer.
	Verify that the correct print media size is selected.
	If using a print spooler, verify that the spooler has not stalled.
	Check the printer's interface from the <code>Admin Menu</code> . Determine the host interface you are using. Print a panel settings page to verify that the current interface settings are correct. Refer to " Printing a Panel Settings Page " for details on how to print a panel settings page.
Print media misfeeds or multiple feeds occur.	Ensure the print media you are using meets the specifications for your printer. See " Identifying Print Media and Specifications " for more information."
	Flex print media before loading it in any of the sources.
	Ensure the print media is loaded correctly.
	Ensure the width and length guides on the print media sources are adjusted correctly.
	Ensure the trays are securely inserted.
	Do not overfill the print media sources.
	Do not force print media into the multipurpose feeder (MPF) when you load it; otherwise, it may skew or buckle.
	Remove any curled print media from sources.
	Load the recommended print side correctly for the type of print media you are using. See " Loading Print Media in Standard and Optional Trays " for more information.
	Turn the print media over or around and try printing again to see if feeding improves.
	Do not mix print media types.
	Do not mix reams of print media.
	Remove the top and bottom curled sheets of a ream before loading the print media.
Load a print media source only when it is empty.	
Wipe the separator rollers in the trays or MPF with a cloth that is slightly dampened with water.	
Envelope misfeeds or multiple feeds occur.	Reduce the number of envelopes in the stack.
Page breaks in unexpected places.	Increase the setting for Time-Out in the Printer Settings menu in the Dell Printer Configuration Web Tool .
Job prints from the wrong source or on the wrong print media.	Check the <code>Paper Types</code> in the <code>Tray Settings</code> menu on the printer operator panel and in the printer driver.
Print media does not stack neatly in the output bin.	Turn the print media stack over in the tray or MPF.
Printer does not duplex pages.	Ensure <code>2 Sided</code> is selected in both the <code>PCL (Printer Control Language)</code> menu on the printer operator panel and in the printer driver.
	Ensure you have enough print memory installed.
Paper is curled in the trays.	Load the paper into the MPF.

Print Quality Problems

 **NOTE:** For information on how to use the operator panel and Dell Configuration Web Tool, see "[Understanding the Printer Menus](#)" and "[Dell Printer Configuration Web Tool](#)."

The output is too light.



Action		Yes	No
1	Check if the whole page is printed light.	Go to action 2.	Go to action 8.
2	<p>The toner cartridges may be low or need to be replaced. Confirm the amount of toner in each toner cartridge.</p> <ol style="list-style-type: none"> 1. Check the toner level in the Status tab in the Status Monitor. 2. Replace the toner cartridges as necessary. <p>Does this solve your problem?</p>	The task is complete.	Go to action 3.
3	<p>If you are using non-Dell brand toner cartridges, enable the Non-Dell Toner option.</p> <ol style="list-style-type: none"> 1. Launch the Dell Printer Configuration Web Tool by entering your printer's IP address in your web browser. (If you do not know how to launch the Dell Printer Configuration Web Tool, see "Dell Printer Configuration Web Tool.") 2. Select Printer Settings. 3. Click the Printer Maintenance tab. 4. Select Non-Dell Toner. 5. Ensure that the On check box is not selected. <p>Does this solve your problem?</p>	The task is complete.	Go to action 4.
4	<p>Disable the Toner Saving Mode in the printer driver.</p> <ol style="list-style-type: none"> 1. On the Advanced tab, ensure that the Toner Saving Mode check box is not selected. <p>Does this solve your problem?</p>	The task is complete.	Go to action 5.
5	<p>The print media surface may be uneven. Try changing the Paper Type setting in the printer driver. For example, change the plain paper to plain thick.</p> <ol style="list-style-type: none"> 1. On the Paper/Output tab, change the Paper Type setting. <p>Does this solve your problem?</p>	The task is complete.	Go to action 6.
6	<p>Verify that the correct print media is being used. See "Supported Paper Sizes." If not, use the print media recommended for the printer.</p> <p>Does this solve your problem?</p>	The task is complete.	Go to action 7.
7	<p>Ensure that eight yellow ribbons are correctly removed from the drum cartridges. See "Replacing the Drum Cartridges." If not, remove the ribbons.</p> <p>Does this solve your problem?</p>	The task is complete.	Go to action 9.
8	<p>Clean inside the printer by using the cleaning rod. See "Cleaning Inside the Printer."</p> <ol style="list-style-type: none"> 1. After the cleaning is completed, start Tool Box. For how to start Tool Box, see "Understanding Your Printer Software." The Tool Box opens. 2. Select Chart Print from the left list. 	The task is complete.	Go to action 9.

	3. Click the Pitch Configuration Chart button. The Pitch Configuration Chart is printed.		
	Does this solve your problem?		
9	<p>Replace the drum cartridge if you have a spare. See "Replacing the Drum Cartridges."</p> <ol style="list-style-type: none"> 1. After you replace the drum cartridge, start Tool Box. For how to start Tool Box, see "Understanding Your Printer Software." The Tool Box opens. 2. Select Chart Print from the left list. 3. Click the Pitch Configuration Chart button. The Pitch Configuration Chart is printed. <p>Does this solve your problem?</p>	The task is complete.	Contact Dell.

Toner smears or print comes off.



	Action	Yes	No
1	<p>Check if the envelope lever of the printer is lifted when you print on plain paper.</p> <p>If so, change it to the plain paper mode. For more information on how to change the mode, see "Loading an Envelope in the MPF."</p> <p>Then raise the fixing temperature by turning up the value of the Adjust Fuser of the Dell Configuration Web Tool.</p> <p>NOTE: When you use the optional output expander, check if the lever of the output expander is pulled down (normal mode). For more information on how to change the mode, see "Loading Print Media."</p> <p>Does this solve your problem?</p>	The task is complete.	Go to action 2.
2	<p>The print media surface may be uneven. Try changing the Paper Type setting in the printer driver. For example, change the plain paper to plain thick.</p> <ol style="list-style-type: none"> 1. On the Paper/Output tab, change the Paper Type setting. <p>Does this solve your problem?</p>	The task is complete.	Go to action 3.
3	<p>Verify that the correct print media is being used. See "Supported Paper Sizes." If not, use the print media recommended for the printer.</p> <p>Does this solve your problem?</p>	The task is complete.	Go to action 4.
4	<p>Replace the drum cartridge if you have a spare.</p> <ol style="list-style-type: none"> 1. Replace the drum cartridge. See "Replacing the Drum Cartridges." 2. After you replace the drum cartridge, start Tool Box. For how to start Tool Box, see "Understanding Your Printer Software." The Tool Box opens. 3. Select Chart Print from the left list. 4. Click the 4 Colors Configuration Chart button. The 4 	The task is complete. (The drum cartridge you are using has been damaged. Replace it with a new one.)	Go to action 5.

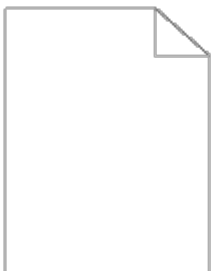
	Colors Configuration Chart is printed.		
	Does this solve your problem?		
5	<p>Replace the fuser if you have a spare.</p> <ol style="list-style-type: none"> 1. Replace the fuser. See "Replacing the Fuser." 2. After you replace the fuser, start Tool Box. For how to start Tool Box, see "Understanding Your Printer Software." The Tool Box opens. 3. Select Chart Print from the left list. 4. Click the Pitch Configuration Chart button. The Pitch Configuration Chart is printed. <p>Does this solve your problem?</p>	The task is complete. (The fuser you are using has been damaged. Replace it with a new one.)	Contact Dell.

Random spots/blurred images



Action		Yes	No
1	<p>Ensure that the toner cartridges are installed correctly. See "Prepare Printer Hardware."</p> <p>Does this solve your problem?</p>	The task is complete.	Go to action 2.
2	<p>Ensure that the drum cartridges are installed correctly. See "Installing a Drum Cartridge."</p> <p>Does this solve your problem?</p>	The task is complete.	Go to action 3.
3	<p>Replace the drum cartridge if you have a spare.</p> <ol style="list-style-type: none"> 1. Replace the drum cartridge. See "Replacing the Drum Cartridges." 2. After you replace the drum cartridge, start Tool Box. For how to start Tool Box, see "Understanding Your Printer Software." The Tool Box opens. 3. Select Chart Print from the left list. 4. Click the Pitch Configuration Chart button. The Pitch Configuration Chart is printed. <p>Does this solve your problem?</p>	The task is complete. (The drum cartridge you are using has been damaged. Replace it with a new one.)	Contact Dell.

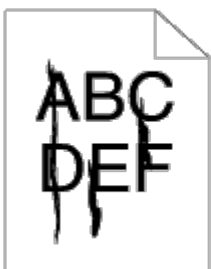
The entire output is blank.



--	--	--

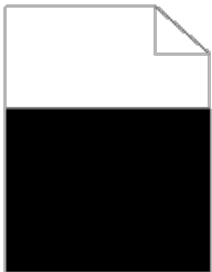
Action	Yes	No
<p>1 The toner cartridges may be low or need to be replaced. Confirm the amount of toner in each toner cartridge.</p> <ol style="list-style-type: none"> 1. Check the toner level in the Status tab in the Status Monitor. 2. Replace the toner cartridges as necessary. <p>Does this solve your problem?</p>	The task is complete.	Go to action 2.
<p>2 If you are using non-Dell brand toner cartridges, enable the Non-Dell Toner option.</p> <ol style="list-style-type: none"> 1. Launch the Dell Printer Configuration Web Tool by entering your printer's IP address in your web browser. (If you do not know how to launch the Dell Printer Configuration Web Tool, see "Dell Printer Configuration Web Tool.") 2. Select Printer Settings. 3. Click the Printer Maintenance tab. 4. Select Non-Dell Toner. 5. Ensure that the On check box is not selected. <p>Does this solve your problem?</p>	The task is complete.	Go to action 3.
<p>3 Disable the Toner Saving Mode in the printer driver.</p> <ol style="list-style-type: none"> 1. On the Advanced tab, ensure that the Toner Saving Mode check box is not selected. <p>Does this solve your problem?</p>	The task is complete.	Go to action 4.
<p>4 The print media surface may be uneven. Try changing the Paper Type setting in the printer driver. For example, change the plain paper to plain thick.</p> <ol style="list-style-type: none"> 1. On the Paper/Output tab, change the Paper Type setting. <p>Does this solve your problem?</p>	The task is complete.	Go to action 5.
<p>5 Verify that the correct print media is being used. See "Supported Paper Sizes." If not, use the print media recommended for the printer.</p> <p>Does this solve your problem?</p>	The task is complete.	Go to action 6.
<p>6 Ensure that eight yellow ribbons are correctly removed from the drum cartridge. See "Replacing the Drum Cartridges." If not, remove the ribbons.</p> <p>Does this solve your problem?</p>	The task is complete.	Go to action 7.
<p>7 Replace the drum cartridge if you have a spare.</p> <ol style="list-style-type: none"> 1. Replace the drum cartridge. See "Replacing the Drum Cartridges." 2. After you replace the drum cartridge, start Tool Box. For how to start Tool Box, see "Understanding Your Printer Software." The Tool Box opens. 3. Select Chart Print from the left list. 4. Click the 4 Colors Configuration Chart button. The 4 Colors Configuration Chart is printed. <p>Does this solve your problem?</p>	The task is complete. (The drum cartridge you are using has been damaged. Replace it with a new one.)	Contact Dell.

Streaks appear on the output.



Action	Yes	No
<p>1 The toner cartridges may be low or need to be replaced. Confirm the amount of toner in each toner cartridge.</p> <ol style="list-style-type: none"> 1. Check the toner level in the Status tab in the Status Monitor. 2. Replace the toner cartridges as necessary. <p>Does this solve your problem?</p>	The task is complete.	Go to action 2.
<p>2 If you are using non-Dell brand toner cartridges, enable the Non-Dell Toner option.</p> <ol style="list-style-type: none"> 1. Launch the Dell Printer Configuration Web Tool by entering your printer's IP address in your web browser. (If you do not know how to launch the Dell Printer Configuration Web Tool, see "Dell Printer Configuration Web Tool.") 2. Select Printer Settings. 3. Click the Printer Maintenance tab. 4. Select Non-Dell Toner. 5. Ensure that the On check box is not selected. <p>Does this solve your problem?</p>	The task is complete.	Go to action 3.
<p>3 Replace the drum cartridge if you have a spare.</p> <ol style="list-style-type: none"> 1. Replace the drum cartridge. See "Replacing the Drum Cartridges." 2. After you replace the drum cartridge, start Tool Box. For how to start Tool Box, see "Understanding Your Printer Software." The Tool Box opens. 3. Select Chart Print from the left list. 4. Click the 4 Colors Configuration Chart button. The 4 Colors Configuration Chart is printed. <p>Does this solve your problem?</p>	The task is complete. (The drum cartridge you are using has been damaged. Replace it with a new one.)	Contact Dell.

Part or the entire output is black.



Action	Yes	No
<p>1 Ensure that the toner cartridges are installed correctly. See "Prepare Printer Hardware."</p> <p>Does this solve your problem?</p>	The task is complete.	Go to action 2.
<p>2 Ensure Output Color is set to Color (Auto) in the printer driver.</p> <ol style="list-style-type: none"> 1. On the Graphics tab, ensure that the Output Color is set to Color (Auto). <p>Does this solve your problem?</p>	The task is complete.	Go to action 3.
<p>3 Replace the drum cartridge if you have a spare.</p> <ol style="list-style-type: none"> 1. Replace the drum cartridge. See "Replacing the Drum Cartridges." 2. After you replace the drum cartridge, start Tool Box. For how to start Tool Box, see "Understanding Your Printer Software." The Tool Box opens. 	The task is complete. (The drum cartridge you are using has been damaged. Replace it with a new one.)	Contact Dell.

3. Select **Chart Print** from the left list.
4. Click the **4 Colors Configuration Chart** button.
The 4 Colors Configuration Chart is printed.

Does this solve your problem?

Pitched color dots



Action	Yes	No
<p>1</p> <p>Locate the cause of the problem using the Pitch Configuration Chart.</p> <ol style="list-style-type: none"> 1. Start Tool Box. For how to start Tool Box, see "Understanding Your Printer Software." The Tool Box opens. 2. Select Chart Print from the left list. 3. Click the Pitch Configuration Chart button. The Pitch Configuration Chart is printed. 4. Compare the pitch of the color spots on your output with that on the Pitch Configuration Chart, and locate the cause of the problem. <p>Is the cause of the problem located?</p>	<p>Proceed to the action corresponding to the location of the problem:</p> <ul style="list-style-type: none"> • Drum cartridge - 2 • Fuser - 3 • Belt unit - 4 	<p>Contact Dell.</p>
<p>2</p> <p>Replace the drum cartridge if you have a spare.</p> <ol style="list-style-type: none"> 1. Replace the drum cartridge. See "Replacing the Drum Cartridges." 2. After you replace the drum cartridge, start Tool Box. For how to start Tool Box, see "Understanding Your Printer Software." The Tool Box opens. 3. Select Chart Print from the left list. 4. Click the Pitch Configuration Chart button. The Pitch Configuration Chart is printed. <p>Does this solve your problem?</p>	<p>The task is complete. (The drum cartridge you are using has been damaged. Replace it with a new one.)</p>	<p>Contact Dell.</p>
<p>3</p> <p>Replace the fuser if you have a spare.</p> <ol style="list-style-type: none"> 1. Replace the fuser. See "Replacing the Fuser." 2. After you replace the fuser, start Tool Box. For how to start Tool Box, see "Understanding Your Printer Software." The Tool Box opens. 3. Select Chart Print from the left list. 4. Click the Pitch Configuration Chart button. The Pitch Configuration Chart is printed. <p>Does this solve your problem?</p>	<p>The task is complete. (The fuser you are using has been damaged. Replace it with a new one.)</p>	<p>Contact Dell.</p>
<p>4</p> <p>Replace the belt unit if you have a spare.</p> <ol style="list-style-type: none"> 1. Replace the belt unit. See "Replacing the Belt Unit." 2. After you replace the belt unit, start Tool Box. For how to start Tool Box, see "Understanding Your Printer Software." The Tool Box opens. 	<p>The task is complete. (The belt unit you are using has been damaged. Replace it with a</p>	<p>Contact</p>

3. Select **Chart Print** from the left list.
4. Click the **Pitch Configuration Chart** button.

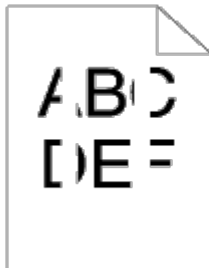
new one.)

Dell.

The Pitch Configuration Chart is printed.

Does this solve your problem?

Vertical blanks



Action	Yes	No
<p>1</p> <p>Clean inside the printer by using the cleaning rod.</p> <ol style="list-style-type: none"> 1. After the cleaning is completed, start Tool Box. For how to start Tool Box, see "Understanding Your Printer Software." The Tool Box opens. 2. Select Chart Print from the left list. 3. Click the Pitch Configuration Chart button. <p>The Pitch Configuration Chart is printed.</p> <p>Does this solve your problem?</p>	<p>The task is complete.</p>	<p>Go to action 8.</p>
<p>2</p> <p>Ensure the light path is not covered.</p> <ol style="list-style-type: none"> 1. Remove the drum cartridge, and keep it in the dark place. See "Replacing the Drum Cartridges." 2. Check the light path, and then remove the shielding. 3. Reinstall the drum cartridge. See "Replacing the Drum Cartridges." 4. Start Tool Box. For how to start Tool Box, see "Understanding Your Printer Software." The Tool Box opens. 5. Select Chart Print from the left list. 6. Click the Pitch Configuration Chart button. <p>The Pitch Configuration Chart is printed.</p> <p>Does this solve your problem?</p>	<p>The task is complete.</p>	<p>Go to action 3.</p>
<p>3</p> <p>Replace the drum cartridge if you have a spare.</p> <ol style="list-style-type: none"> 1. Replace the drum cartridge. See "Replacing the Drum Cartridges." 2. After you replace the drum cartridge, start Tool Box. For how to start Tool Box, see "Understanding Your Printer Software." 3. Select Chart Print from the left list. 4. Click the Pitch Configuration Chart button. The Pitch Configuration Chart is printed. <p>Does this solve your problem?</p>	<p>The task is complete. (The drum cartridge you are using has been damaged. Replace it with a new one.)</p>	<p>Contact Dell.</p>

Ghosting

--	--

Action	Yes	No
<p>1</p> <p>Locate the cause of the problem using the Ghost Configuration Chart.</p> <ol style="list-style-type: none"> 1. Start Tool Box. For how to start Tool Box, see "Understanding Your Printer Software." The Tool Box opens. 2. Select Chart Print from the left list. 3. Click the Ghost Configuration Chart button. <p>The Ghost Configuration Chart is printed.</p> <p>Is the type of ghosting identified?</p>	<p>Proceed to the action corresponding to the type of ghosting.</p> <p>Positive ghost - 2a</p> <p>Negative ghost - 2b</p>	<p>Contact Dell.</p>
<p>2a</p> <p>Replace the drum cartridge if you have a spare.</p> <ol style="list-style-type: none"> 1. Replace the drum cartridge. See "Replacing the Drum Cartridges." 2. After you replace the drum cartridge, start Tool Box. For how to start Tool Box, see "Understanding Your Printer Software." The Tool Box opens. 3. Select Chart Print from the left list. 4. Click the Ghost Configuration Chart button. The Ghost Configuration Chart is printed. <p>Does this solve your problem?</p>	<p>The task is complete. (The drum cartridge you are using has been damaged. Replace it with a new one.)</p>	<p>Contact Dell.</p>
<p>2b</p> <p>If using non-recommended print media, use the print media recommended for the printer.</p> <p>Does this solve your problem?</p>	<p>The task is complete.</p>	<p>Go to action 2a.</p>

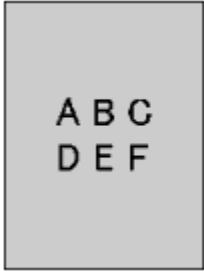
Light-Induced Fatigue



Action	Yes	No
<p>1</p> <p>Check if the print defect falls under the patterns of light-induced fatigue.</p> <ol style="list-style-type: none"> 1. Start Tool Box. For how to start Tool Box, see "Understanding Your Printer Software." The Tool Box opens. 2. Select Chart Print from the left list. 3. Click the Pitch Configuration Chart button. The Pitch Configuration Chart is printed. <p>Does the print defect fall under the patterns of light-induced fatigue?</p>	<p>Go to action 2.</p>	<p>Contact Dell.</p>
<p>2</p> <p>Replace the drum cartridge if you have a spare.</p> <ol style="list-style-type: none"> 1. Replace the drum cartridge. See "Replacing the Drum Cartridges." 2. After you replace the drum cartridge, start Tool Box. For how to start Tool Box, see "Understanding Your Printer Software." 3. Select Chart Print from the left list. 4. Click the Pitch Configuration Chart button. The Pitch Configuration Chart is printed. 	<p>The task is complete. (The drum cartridge you are using has been damaged. Replace it with a new one.)</p>	<p>Contact Dell.</p>

Does this solve your problem?

Fog



Action	Yes	No
<p>1</p> <p>Replace the drum cartridge if you have a spare.</p> <ol style="list-style-type: none"> 1. Replace the drum cartridge. See "Replacing the Drum Cartridges." 2. After you replace the drum cartridge, start Tool Box. For how to start Tool Box, see "Understanding Your Printer Software." The Tool Box opens. 3. Select Chart Print from the left list. 4. Click the 4 Color Configuration Chart button. The 4 Color Configuration Chart is printed. <p>Does this solve your problem?</p>	<p>The task is complete. (The drum cartridge you are using has been damaged. Replace it with a new one.)</p>	<p>Contact Dell.</p>

Bead-Carry-Out (BCO)



Action	Yes	No
<p>1</p> <p>If the printer is installed in a high altitude location, set the altitude of the location.</p> <ol style="list-style-type: none"> 1. Launch the Dell Printer Configuration Web Tool by entering your printer's IP address in your web browser. (If you do not know how to launch the Dell Printer Configuration Web Tool, see "Dell Printer Configuration Web Tool".) 2. When the Dell Printer Configuration Web Tool starts, select Printer Settings. 3. Click the Printer Maintenance tab. 4. Click Adjust Altitude on the Printer Maintenance tab. 5. Select the value close to the altitude of the location where the printer is installed. <p>Is the problem recovered?</p>	<p>The task is complete.</p>	<p>Go to action 2.</p>
<p>2</p> <p>Replace the drum cartridge if you have a spare.</p> <ol style="list-style-type: none"> 1. Replace the drum cartridge. See "Replacing the Drum Cartridges." 2. After you replace the drum cartridge, start Tool Box. For how to start Tool Box, see "Understanding Your Printer Software." The Tool Box opens. 	<p>The task is complete. (The drum cartridge you are using has</p>	<p>Contact</p>

3. Select **Chart Print** from the left list.
4. Click the **4 Color Configuration Chart** button.
The 4 Color Configuration Chart is printed.

been damaged. Replace it with a new one.)

Dell.

Does this solve your problem?

Jagged characters



Action		Yes	No
1	<p>Set Print Mode to High Quality in the printer driver.</p> <p>1. On the Graphics tab, select High Quality from Print Mode.</p> <p>Does this solve your problem?</p>	The task is complete.	Go to action 2.
2	<p>Enable Bitmap Text Smoothing in the printer driver.</p> <p>1. On the Advanced tab, set Bitmap Text Smoothing under Items to On.</p> <p>Does this solve your problem?</p>	The task is complete.	Go to action 3.
3	<p>If using a downloaded font, ensure that the font is recommended for the printer, operating system, and the application being used.</p> <p>Does this solve your problem?</p>	The task is complete.	Contact Dell.

Banding



Action		Yes	No
1	<p>Locate the cause of the problem using the MQ Chart.</p> <p>1. Start Tool Box. For how to start Tool Box, see "Understanding Your Printer Software." The Tool Box opens.</p> <p>2. Select Chart Print from the left list.</p> <p>3. Click the MQ Chart button.</p> <p>The MQ Chart is printed.</p> <p>Is the cause of the problem located?</p>	<p>Proceed to the action corresponding to the location of the problem:</p> <ul style="list-style-type: none"> • Drum cartridge - 2 • Fuser - 3 • Belt unit- 4 	-
	<p>Replace the drum cartridge if you have a spare.</p> <p>1. Replace the drum cartridge. See "Replacing the Drum Cartridges."</p>		

2	<p>2. After you replace the drum cartridge, start Tool Box. For how to start Tool Box, see "Understanding Your Printer Software."</p> <p>The Tool Box opens.</p> <p>3. Select Chart Print from the left list.</p> <p>4. Click the MQ Chart button.</p> <p>The MQ Chart is printed.</p> <p>Does this solve your problem?</p>	The task is complete. (The drum cartridge you are using has been damaged. Replace it with a new one.)	Contact Dell.
3	<p>Replace the fuser if you have a spare.</p> <p>1. Replace the fuser. See "Replacing the Fuser."</p> <p>2. After you replace the fuser, start Tool Box. For how to start Tool Box, see "Understanding Your Printer Software."</p> <p>The Tool Box opens.</p> <p>3. Select Chart Print from the left list.</p> <p>4. Click the MQ Chart button.</p> <p>The MQ Chart is printed.</p> <p>Does this solve your problem?</p>	The task is complete. (The fuser you are using has been damaged. Replace it with a new one.)	Contact Dell.
4	<p>Replace the belt unit if you have a spare.</p> <p>1. Replace the belt unit. See "Replacing the Belt Unit."</p> <p>2. After you replace the belt unit, start Tool Box. For how to start Tool Box, see "Understanding Your Printer Software."</p> <p>The Tool Box opens.</p> <p>3. Select Chart Print from the left list.</p> <p>4. Click the Pitch Configuration Chart button.</p> <p>The Pitch Configuration Chart is printed.</p> <p>Does this solve your problem?</p>	The task is complete.	Contact Dell.

Auger mark



Action	Yes	No
<p>1</p> <p>Check if the print defect falls under the patterns of auger marks.</p> <p>1. Start Tool Box. For how to start Tool Box, see "Understanding Your Printer Software."</p> <p>The Tool Box opens.</p> <p>2. Select Chart Print from the left list.</p> <p>3. Click the Pitch Configuration Chart button.</p> <p>The Pitch Configuration Chart is printed.</p> <p>Does the print defect fall under the patterns of auger marks?</p>	Go to action 2.	Contact Dell.
<p>2</p> <p>The toner cartridges may be low or need to be replaced. Confirm the amount of toner in each toner cartridge.</p> <p>1. Check the toner level in the Status tab in the Status Monitor.</p> <p>2. Replace the toner cartridges as necessary.</p>	The task is complete.	Go to action 3.

	Does this solve your problem?		
3	<p>Replace the drum cartridge if you have a spare.</p> <ol style="list-style-type: none"> 1. Replace the drum cartridge. See "Replacing the Drum Cartridges." 2. After you replace the drum cartridge, start Tool Box. For how to start Tool Box, see "Understanding Your Printer Software." The Tool Box opens. 3. Select Chart Print from the left list. 4. Click the Pitch Configuration Chart button. The Pitch Configuration Chart is printed. <p>Does this solve your problem?</p>	The task is complete. (The drum cartridge you are using has been damaged. Replace it with a new one.)	Contact Dell.

Wrinkled/stained paper



Action		Yes	No
1	<p>Verify that the correct print media is being used. See "Supported Paper Sizes." If not, use the print media recommended for the printer, and test print your document again.</p> <p>Does this solve your problem?</p>	The task is complete.	Proceed to the action corresponding to the type of print media. Plain paper - 2 Envelope - 4
2	<p><i>Check if the envelope lever of the printer is lifted up when you print on plain paper, and test print your document again.</i></p> <p>NOTE: When you use the optional output expander, check if the lever of the output expander is pulled down (normal mode). For more information on how to change the mode, see "Loading Print Media."</p> <p>Does this solve your problem?</p>	The task is complete.	Go to action 3.
3	<p>If using non-recommended print media, use the print media recommended for the printer, <i>and test print your document again.</i></p> <p>Does this solve your problem?</p>	The print media you are using is not supported. Use another one.	Contact Dell.
4	<p><i>Check if the envelope lever of the printer is down when you print on envelope, and test print your document again.</i></p> <p>NOTE: When you use the optional output expander, check if the lever of the output expander is pulled up (envelope mode). For more information on how to change the mode, see "Loading Print Media."</p> <p>Does this solve your problem?</p>	The task is complete.	Go to action 5.
5	<p>If using non-recommended envelope, change it to recommended one and try again.</p>	The envelope you are using is not supported. Use the	Go to action 6.


	Does this solve your problem?	recommended one.	
6	Check if the wrinkle appeared within the square whose each edge is 30 mm inside the four sides of the envelope.	The wrinkle had appeared within the allowable range. You can use the envelope you are using.	Go to action 7.
7	Change the envelope with another one and try again. Does this solve your problem?	The task is complete.	Contact Dell.
8	If the wrinkle appeared on the envelope flap, confirm the type of the tray in which the envelope is set first. Is it the MPF?	Go to action 9.	(Tray 1) Go to action 11.
9	Press the envelope to expel any remaining air in it. Is the problem reduced or recovered?	The task is complete.	Go to action 10.
10	Use Tray 1 to feed the envelope. Does this solve your problem?	The task is complete.	Go to action 11.
11	Change the envelope with another one and then try again. Is the problem reduced or recovered?	The task is complete.	The occurrence of wrinkles on envelope flaps does not indicate printer failure. There is no problem to use the printer.

Damage on the leading edge of paper



Action	Yes	No
1 When you use the MPF, reverse the paper and then try again. When you use any of the Tray 1 to 5, change the paper and then try again. Does this solve your problem?	The task is complete.	(MPF) Go to action 2. (Tray 1 to 5) Contact Dell.
2 <i>Change the paper with another one and then try again.</i> Does this solve your problem?	The task is complete.	Go to action 3.
3 Use any of the Tray 1 to 5 in place of the MPF. Does this solve your problem?	The task is complete.	Contact Dell.

Jam/Alignment Problems

 **NOTE:** Some of the following procedures that use the Tool Box can also be performed using the operator panel or Dell Printer Configuration Web Tool. For information on how to use the operator panel and Dell Configuration Web Tool, see "[Understanding the Printer Menus](#)" and "[Dell Printer Configuration Web Tool](#)."

The top margin is incorrect



Action		Yes	No
1	Ensure that the margin is installed correctly on the application being used. Does this solve your problem?	The task is complete.	Go to action 2.
2	In Customer mode, correct the S-S direction KtoP parameter. Does this solve your problem?	The task is complete.	Contact Dell.

The side margin is incorrect



Action		Yes	No
1	Ensure that the margin is installed correctly on the application being used. Does this solve your problem?	The task is complete.	The tray where the trouble occurred is: MPF: Go to action 2a. Others: Go to action 2b.
2a	Ensure that the paper guides are installed correctly. Does this solve your problem?	The task is complete.	Go to action 3a.
2b	Ensure that the paper guides are installed correctly. Does this solve your problem?	The task is complete.	Go to action 3b.
3a	In Customer mode, correct the F-S direction parameter of the MPF. Does this solve your problem?	The task is complete.	Contact Dell.
3b	In Customer mode, correct the F-S direction parameter of the tray. Does this solve your problem?	The task is complete.	Contact Dell.

Color registration is out of alignment



Action		Yes	No
1	Adjust the settings of the paper type on the printer driver to those of the tray. Does this solve your problem?	The task is complete.	Go to action 2.
2	Execute auto color registration adjustment. <ol style="list-style-type: none"> 1. Launch the Dell Printer Configuration Web Tool by entering your printer's IP address in your web browser. (If you do not know how to launch the Dell Printer Configuration Web Tool, see "Dell Printer Configuration Web Tool".) 2. When the Dell Printer Configuration Web Tool starts, select Printer Settings. 3. Click the Printer Maintenance tab. 4. Select Color Registration Adjustments. 5. Select Auto Correct and then click start. 6. See the report output from the printer. Does this solve your problem?	The task is complete.	Go to action 3a.
3a	Replace the drum cartridge if you have a spare. See " Prepare Printer Hardware ." Does this solve your problem?	The task is complete.	Contact Dell.
3b	Print the Color Regi Configuration Chart and manually correct the color registration. <ol style="list-style-type: none"> 1. On the Registration Adjustment page, click the Color Regi Chart button. The Color Regi Configuration Chart is printed. 2. Identify the offset values from the chart and enter them in Enter Number. See "Cleaning Inside the Printer" for details. 3. Click the Apply New Settings button. 4. Click the Color Regi Chart button to print the Color Regi Configuration Chart again. Does this solve your problem?	The task is complete.	Contact Dell.

Images are skewed



Action		Yes	No
1	Adjust the paper guides properly. Does this solve your problem?	The task is complete.	Go to action 2.
2	Install the belt unit according to an appropriate procedure. See " Installing a Belt Unit ." Does this solve your problem?	The task is complete.	Contact Dell.

Tray 1 Misfeed jam

Action	Yes	No
1 Ensure that the tray 1 is properly inserted. Does this solve your problem?	The task is complete.	Proceed to the action corresponding to the type of the print media being used: <ul style="list-style-type: none"> • Thick - 2a • Thin - 2b • Coated - 2c • Envelope - 2d • Label paper - 2e • Transparency - 2f • Manual Dup - 2g • Others - 2h
2a Use thick paper that is 216 gsm or less. Does this solve your problem?	The task is complete.	Go to action 3a.
2b Use thin paper that is 60 gsm or more. Does this solve your problem?	The task is complete.	Go to action 3a.
2c Load coated paper on the MPF one sheet at a time. Does this solve your problem?	The task is complete.	Go to action 3b.
2d Correct the position of the envelop flap. See " Loading Print Media. " Does this solve your problem?	The task is complete.	Go to action 3c.
2e Reduce label papers set to 49 mm or less. Does this solve your problem?	The task is complete.	Go to action 2g.
2f Reduce transparencies set to 12 mm or less. Does this solve your problem?	The task is complete.	Go to action 3a.
2g Ensure that the print media is not curled. Does this solve your problem?	The task is complete.	Go to action 3a.
2h Is the print media damp? If so, turn the media over and then try again. Does this solve your problem?	The task is complete.	Go to action 4a.
3a Fan the print media. Does this solve your problem?	The task is complete.	Go to action 3b.
3b Wipe the separator rollers in tray 1 with a cloth moistened with water. Does this solve your problem?	The task is complete.	Contact Dell.
3c Press the envelope to expel any remaining air in it. Does this solve your problem?	The task is complete.	Go to action 3d.
3d Smooth the envelope if there is any distortion on it. Does this solve your problem?	The task is complete.	Go to action 4b.
4a Use print media that is not damp. Does this solve your problem?	The task is complete.	Go to action 3a.
4b Reduce the number of envelopes set.	The task is	Go to action 4c.

	Does this solve your problem?	complete.	
4c	Change the envelope with another one and then try again. Is the problem reduced or recovered?	The task is complete.	Go to action 3b.

MPF Misfeed jam

Action		Yes	No
1	Proceed to the action corresponding to the type of the print media being used: <ul style="list-style-type: none"> • Thick - 2a • Thin - 2b • Coated - 2c • Envelope - 2d • manual Dup - 2e • Others - 2f 	-	-
2a	Use thick paper that is 216 gsm or less. Does this solve your problem?	The task is complete.	Go to action 3a.
2b	Use thin paper that is 60 gsm or more. Does this solve your problem?	The task is complete.	Go to action 3a.
2c	Load coated paper one sheet at a time. Does this solve your problem?	The task is complete.	Go to action 3b.
2d	Correct the position of the envelop flap. See " Loading Print Media. " Does this solve your problem?	The task is complete.	Go to action 3c.
2e	Ensure that the print media is not curled. Does this solve your problem?	The task is complete.	Go to action 3a.
2f	Is the print media damp? If so, turn the media over and then try again. Does this solve your problem?	The task is complete.	Go to action 4a.
3a	Fan the print media. Does this solve your problem?	The task is complete.	Go to action 3b.
3b	Wipe the separator rollers in MPF with a cloth moistened with water. Does this solve your problem?	The task is complete.	Contact Dell.
3c	Press the envelope to expel any remaining air in it. Does this solve your problem?	The task is complete.	Go to action 3d.
3d	Smooth the envelope if there is any distortion on it. Does this solve your problem?	The task is complete.	Go to action 4b.
4a	Use print media that is not damp. Does this solve your problem?	The task is complete.	Go to action 3a.
4b	Reduce the number of envelopes set. Does this solve your problem?	The task is complete.	Go to action 4c.
4c	Change the envelope with another one and then try again. Is the problem reduced or recovered?	The task is complete.	Go to action 3b.

Option Tray Misfeed jam

Action		Yes	No
1	Ensure that the tray is properly inserted. Does this solve your problem?	The task is complete.	Go to action 2.
2	Ensure the right hand cover is closed. Does this solve your problem?	The task is complete.	Proceed to the action corresponding to the type of the print media being used: <ul style="list-style-type: none"> • Thick - 3a • Thin - 3b • Manual Dup - 3c • Others - 3d
3a	Use thick paper that is 216 gsm or less. Does this solve your problem?	The task is complete.	Go to action 4a.
3b	Use thin paper that is 60 gsm or more. Does this solve your problem?	The task is complete.	Go to action 4a.
3c	Ensure that the print media is not curled. Does this solve your problem?	The task is complete.	Go to action 4a.
3d	Is the print media damp?	Go to action 4c.	Go to action 5.
4a	Fan the print media. Does this solve your problem?	The task is complete.	Go to action 4b.
4b	Wipe the separator rollers in tray with a cloth moistened with water. Does this solve your problem?	The task is complete.	Contact Dell.
4c	Turn over the print media. Does this solve your problem?	The task is complete.	Go to action 4a.
5	Use print media that is not damp. Does this solve your problem?	The task is complete.	Go to action 4a.

Regi jam (Exit Sensor On JAM)

Action		Yes	No
1	Ensure that the fuser is set properly. Does this solve your problem?	The task is complete.	Go to action 2.
2	Replace the fuser if you have a spare. <ol style="list-style-type: none"> 1. Replace the fuser. See "Replacing the Fuser." 2. After you replace the fuser, start Tool Box. For how to start Tool Box, see "Understanding Your Printer Software." The Tool Box opens. <ol style="list-style-type: none"> 3. Select Chart Print from the left list. 4. Click the Pitch Configuration Chart button. The Pitch Configuration Chart is printed. Does this solve your problem?	The task is complete. (The fuser you are using has been damaged. Replace it with a new one.)	Go to action 3.
3	Ensure that the transfer roller is installed correctly.	The task is complete.	Go to action

	Does this solve your problem?		4.
4	<p>Replace the transfer roller if you have a spare.</p> <ol style="list-style-type: none"> 1. Replace the transfer roller. See "Replacing the Transfer Roller." 2. After you replace the transfer roller, start Tool Box. For how to start Tool Box, see "Understanding Your Printer Software." The Tool Box opens. 3. Select Chart Print from the left list. 4. Click the Pitch Configuration Chart button. The Pitch Configuration Chart is printed. <p>Does this solve your problem?</p>	The task is complete. (The transfer roller you are using has been damaged. Replace it with a new one.)	Go to action 5.
5	<p>Ensure that the belt unit is installed correctly.</p> <p>Does this solve your problem?</p>	The task is complete.	Go to action 6.
6	<p>Replace the belt unit if you have a spare.</p> <ol style="list-style-type: none"> 1. Replace the belt unit. See "Replacing the Belt Unit." 2. After you replace the belt unit, start Tool Box. For how to start Tool Box, see "Understanding Your Printer Software." The Tool Box opens. 3. Select Chart Print from the left list. 4. Click the Pitch Configuration Chart button. The Pitch Configuration Chart is printed. <p>Does this solve your problem?</p>	The task is complete. (The belt unit you are using has been damaged. Replace it with a new one.)	Contact Dell.

Exit Jam (Exit Sensor Off JAM)

Action		Yes	No
1	<p>Ensure the fuser is installed correctly.</p> <p>Does this solve your problem?</p>	The task is complete.	Go to action 2.
2	<p>Replace the fuser if you have a spare.</p> <ol style="list-style-type: none"> 1. Replace the fuser. See "Replacing the Fuser." 2. After you replace the fuser, start Tool Box. For how to start Tool Box, see "Understanding Your Printer Software." The Tool Box opens. 3. Select Chart Print from the left list. 4. Click the Pitch Configuration Chart button. The Pitch Configuration Chart is printed. <p>Does this solve your problem?</p>	The task is complete. (The fuser you are using has been damaged. Replace it with a new one.)	Go to action 3.

Tray 1/Option Tray Multi-feed jam

Action		Yes	No
1	<p>Ensure that the tray where the multi-feed occurred is inserted properly.</p> <p>Does this solve your problem?</p>	The task is complete.	<p>If using coated paper, go to action 2.</p> <p>If using other type of print media, go to action 3.</p>
2	<p>Load coated paper on the MPF one sheet at a time.</p> <p>Does this solve your problem?</p>	The task is complete.	Go to action 4.

3	Use print media that is not damp. Does this solve your problem?	The task is complete.	Go to action 4.
4	Fan the print media. Does this solve your problem?	The task is complete.	Go to action 5.
5	Wipe the separator rollers in the tray where the multi-feed occurred with a cloth moistened with water. Does this solve your problem?	The task is complete.	Go to action 6.
6	Replace the separator rollers in the tray where the multi-feed occurred if you have a spare. Does this solve your problem?	The task is complete.	Contact Dell.

MPF Multi-feed jam

Action	Yes	No
1 Ensure the media type you are using. If using coated paper, go to action 2. If using other type of print media, go to action 3.	-	-
2 Use print media that is not damp. Does this solve your problem?	The task is complete.	Go to action 3.
3 Fan the print media. Does this solve your problem?	The task is complete.	Go to action 4.
4 Wipe the separator rollers in the MPF with a cloth moistened with water. Does this solve your problem?	The task is complete.	Go to action 5.
5 Replace the separator rollers in the MPF if you have a spare. Does this solve your problem?	The task is complete.	Contact Dell.

Noise

Action	Yes	No
1 To specify the cause of the noise, perform the Auto Registration Adjustment. Does the noise persist?	Go to action 2.	Go to action 3.
2 Replace the belt unit if you have a spare. 1. Replace the belt unit. See " Replacing the Belt Unit ." 2. After you replace the belt unit, start Tool Box. For how to start Tool Box, see " Understanding Your Printer Software ." The Tool Box opens. 3. Select Chart Print from the left list. 4. Click the Pitch Configuration Chart button. The Pitch Configuration Chart is printed. Does this solve your problem?	The task is complete. (The belt unit you are using has been damaged. Replace it with a new one.)	Go to action 4.
Replace the fuser if you have a spare. 1. Replace the fuser. See " Replacing the Fuser ."		

3	<p>2. After you replace the fuser, click start Tool Box. For how to start Tool Box, see "Understanding Your Printer Software." The Tool Box opens.</p> <p>3. Select Chart Print from the left list.</p> <p>4. Click the Pitch Configuration Chart button. The Pitch Configuration Chart is printed.</p> <p>Does this solve your problem?</p>	The task is complete. (The fuser you are using has been damaged. Replace it with a new one.)	Go to action 7
4	<p>Replace the waste box.</p> <p>Does this solve your problem?</p>	The task is complete. (The waste box you are using has been damaged. Replace it with a new one.)	Go to action 5.
5	<p>Replace the drum cartridge (K).</p> <p>Does this solve your problem?</p>	The task is complete. (The drum cartridge (K) you are using has been damaged. Replace it with a new one.)	Go to action 6.
6	<p>Replace the drum cartridge (YMC).</p> <p>Does this solve your problem?</p>	The task is complete. (The drum cartridge (YMC) you are using has been damaged. Replace it with a new one.)	Contact Dell.
7	<p>Replace the toner cartridge (K). See "Replacing the Toner Cartridges."</p>	The task is complete. (The toner cartridge (K) you are using has been damaged. Replace it with a new one.)	Go to action 8.
8	<p>Replace the toner cartridge (Y). See "Replacing the Toner Cartridges."</p>	The task is complete. (The toner cartridge (Y) you are using has been damaged. Replace it with a new one.)	Go to action 9.
9	<p>Replace the toner cartridge (M). See "Replacing the Toner Cartridges."</p>	The task is complete. (The toner cartridge (M) you are using has been damaged. Replace it with a new one.)	Go to action 10.
10	<p>Replace the toner cartridge (C). See "Replacing the Toner Cartridges."</p>	The task is complete. (The toner cartridge (C) you are using has been damaged. Replace it with a new one.)	Contact Dell.

Digital Certificate Problem

Symptom	Cause	Action
The LDAP-SSL/TLS Communication setting and the Upload Signed Certificate button are not displayed	An encrypted HDD is not connected.	Confirm whether the HDD is connected correctly, and confirm whether Data Encryption is enabled from the operator panel or EWS.
The certificate import button is disabled.	SSL communication is disabled.	Create a self-signed certificate and enable SSL.
The certificate details button is disabled.		
The certificate cannot be imported.	The time setting is incorrect.	Confirm validity period of the certificate as well as the time setting of the device.
	The certificate file is incorrect.	Confirm whether the password is correct.
		Confirm whether the file type is PKCS#7/#12 or x509CACert (extension: p7b/p12/pfx/cer/crt).
	Confirm whether the attribute information (key Usage/ Extended key usage) of the certificate to be imported is set correctly.	
	The browser is incorrect.	Use Internet Explorer.

016-404 is displayed when setting the encryption of the HDD to OFF.		
016-404 is displayed when formatting the HDD.		
Security is set to OFF when setting encryption of the HDD to OFF.	The HDD is formatted and the certificate data is deleted when setting encryption of the HDD to OFF. Since a certificate is required and the security function cannot be enabled when restarting the device afterward, 016-404 is displayed and the security setting must be initialized. The cause is the same when formatting the HDD or removing the HDD.	After initializing, import the certificate and enable the security settings again. The action is the same when formatting the HDD.
Security is set to OFF when formatting the HDD.		
A certificate is deleted when setting encryption of the HDD to OFF.		
A certificate is deleted when formatting the HDD.		
A certificate cannot be set with "Certificate Details".	The validity period is invalid.	The validity period of the certificate is invalid. Confirm whether the time setting of the machine is correct, and whether the validity period of the certificate has expired.
	The certificate path is invalid.	The certificate chain (path validation) of the imported certificate may not be correctly validated. Confirm whether all of the high-level certificates (Trusted/Intermediate) have been imported and are not deleted, and whether the validity period has expired.
Although a certificate was imported, it is not displayed when selecting with "Local Device".	The type of the certificate is incorrect.	To import a certificate for use with the device (own device), import the secret key and a certificate of the PKCS#12 (p12/pfx) format as a pair.
Server validation is not operating correctly.	The certificate chain is incorrect when importing.	Although importing a root certificate (Trusted) to use for server authentication, an Intermediate certificate may be required when validating the path. When executing a certificate file with the certification authority, create the certificate with a format including all paths and then import that certificate.
Digital Signature cannot be selected with the IPsec setting.	The certificate cannot be associated.	Either the certificate has not been imported or the certificate has not been associated for use with Digital Signature of IPsec. Refer to " Setting the Certificate in the IPsec Digital Signature Mode " to set a certificate of Ipsec.

Problems with Installed Optional Accessories

If an option does not operate correctly following installation or stops working:

- Turn off the printer, wait for 10 seconds, and then turn on the printer. If this does not fix the problem, unplug the printer, and check the connection between the option and the printer.
- Print the printer settings page to see if the option is listed in the Installed Options list. If the option is not listed, reinstall it. See "[Printing a Printer Settings Page](#)."
- Ensure that the printer driver is updated with the option you want to use.
- Ensure the option is selected in the printer driver you are using.

The following table lists printer's option and corrective action for related problem. If the suggested corrective action does not correct the problem, call customer service.

Problem	Action
550-sheet feeder	<ul style="list-style-type: none"> • Ensure the 550-sheet feeder is correctly connected to the printer. Reinstall the feeder. See "Removing the 550-Sheet Feeder" and "Installing a 550-Sheet Feeder." • Ensure the print media is loaded correctly. See "Loading Print Media in Standard and Optional Trays" for more information.
1100-sheet feeder	<ul style="list-style-type: none"> • Ensure the 1100-sheet feeder is correctly connected to the printer. Reinstall the feeder. See "Removing the 1100-Sheet Feeder" and "Installing a 1100-Sheet Feeder." <p>Ensure the print media is loaded correctly. See "Loading Print Media in Standard and Optional Trays" for more information.</p>
Memory	Ensure the memory is securely connected to the memory connector.
Hard disk	Ensure the hard disk is securely inserted to the correct slot.
Wireless adapter	Ensure the wireless adapter is securely inserted to the correct slot.
Output expander	Ensure the output expander is securely inserted to the correct slot.

If a problem occurs with the output expander, check the following solutions:

Compile Exit SNR ON Jam

Action	Yes	No
1 Ensure that the print media is loaded in the tray properly. Does this solve your problem?	The task is complete.	Go to action 2.
2 Check if the print media is deformed. If deformed, change the print media to one not deformed. Does this solve your problem?	The task is complete.	Go to action 3.
3 Check if the print media is curled. Uncurl the print media and then set it again. Does this solve your problem?	The task is complete.	Go to action 4.
4 Remove the print media left in the H Transport Unit. Does this solve your problem?	The task is complete.	Go to action 5.
5 Wipe the separator rollers in tray 1 with a cloth moistened with water. Does this solve your problem?	The task is complete.	Contact Dell.

Compile Exit SNR OFF Jam

Action		Yes	No
1	Remove the print media left in the H Transport Unit. Does this solve your problem?	The task is complete.	Contact Dell.

Set Eject Jam

Action		Yes	No
1	If using non-recommended print media, use the print media recommended for the printer. Does this solve your problem?	The task is complete.	Go to action 2.
2	Check if the print media on the tray obstruct the output slot. Remove the print media on the tray. Does this solve your problem?	The task is complete.	Go to action 3.
3	Check if the print media is curled. Uncurl the print media and then set it again. Does this solve your problem?	The task is complete.	Go to action 4.
4	Wipe the separator rollers in tray 1 with a cloth moistened with water. Does this solve your problem?	The task is complete.	Contact Dell.

Other Problems

Problem	Action
Condensation has occurred inside the printer.	This usually occurs within several hours after you heat the room in winter. This also occurs when the printer is operating in a location where relative humidity reaches 85% or more. Adjust the humidity or relocate the printer to an appropriate environment.

Contacting Service

When you call for printer service, be prepared to describe the problem you are experiencing or the error message on the display.

You need to know your printer's model type and serial number. See the label located inside the side door of your printer.

[Back to Contents Page](#)

Appendix

- [Dell Technical Support Policy](#)
 - [Warranty and Return Policy](#)
 - [Contacting Dell](#)
-

Dell Technical Support Policy

Technician-assisted technical support requires the cooperation and participation of the customer in the troubleshooting process and provides for restoration of the operating system, software program and hardware drivers to the original default configuration as shipped from Dell, as well as the verification of appropriate functionality of the printer and all Dell-installed hardware. In addition to this technician assisted technical support, online technical support is available at Dell Support. Additional technical support options may be available for purchase.

Dell provides limited technical support for the printer and any Dell-installed software and peripherals. Support for third-party software and peripherals is provided by the original manufacturer, including those purchased and/or installed through Software & Peripherals (DellWare), ReadyWare, and Custom Factory Integration (CFI/DellPlus).

Online Services

You can learn about Dell products and services on the following websites:

www.dell.com

www.dell.com/ap (Asian/Pacific countries only)

www.dell.com/jp (Japan only)

www.euro.dell.com (Europe only)

www.dell.com/la (Latin American and Caribbean countries)

www.dell.ca (Canada only)

You can access Dell Support through the following websites and e-mail addresses:

- Dell Support websites

support.dell.com

- Dell Support e-mail addresses

mobile_support@us.dell.com

support@us.dell.com

la-techsupport@dell.com (Latin America and Caribbean countries only)

apsupport@dell.com (Asian/Pacific countries only)

- Dell Marketing and Sales e-mail addresses

apmarketing@dell.com (Asian/Pacific countries only)

sales_canada@dell.com (Canada only)

- Anonymous file transfer protocol (FTP)

[ftp.dell.com](ftp://ftp.dell.com)

Log in as user: `anonymous`, and use your e-mail address as your password.

Warranty and Return Policy

Dell Computer Corporation ("Dell") manufactures its hardware products from parts and components that are new or equivalent to new in accordance with industry-standard practices. For information about the Dell warranty for your printer, see support.dell.com.


Recycling Information

It is recommended that customers dispose of their used computer hardware, monitors, printers, and other peripherals in an environmentally sound manner. Potential methods include reuse of parts or whole products and recycling of products, components, and/or materials.

For specific information on Dell's worldwide recycling programs, see www.dell.com/recyclingworldwide.

Contacting Dell

For customers in the United States, call 800-WWW-Dell (800-999-3355).

 **NOTE:** If you do not have an active Internet connection, you can find contact information on your purchase invoice, packing slip, bill, in your Dell catalog.

Dell provides several online and telephone-based support and service options. Availability varies by country and product, and some services may not be available in your area. To contact Dell for sales, technical support, or customer service issues:

1. Visit support.dell.com.
 2. Verify your country or region in the **Choose A Country/Region** drop-down menu at the bottom of the page.
 3. Click **Contact Us** on the left side of the page.
 4. Select the appropriate service or support link based on your need.
 5. Choose the method of contacting Dell that is convenient for you.
-

[Back to Contents Page](#)

Free Manuals Download Website

<http://myh66.com>

<http://usermanuals.us>

<http://www.somanuals.com>

<http://www.4manuals.cc>

<http://www.manual-lib.com>

<http://www.404manual.com>

<http://www.luxmanual.com>

<http://aubethermostatmanual.com>

Golf course search by state

<http://golfingnear.com>

Email search by domain

<http://emailbydomain.com>

Auto manuals search

<http://auto.somanuals.com>

TV manuals search

<http://tv.somanuals.com>