

Dell™ PowerVault™

NX3100 Systems

# Hardware Owner's Manual



# Notes, Cautions, and Warnings



**NOTE:** A NOTE indicates important information that helps you make better use of your computer.



**CAUTION:** A CAUTION indicates potential damage to hardware or loss of data if instructions are not followed.



**WARNING:** A WARNING indicates a potential for property damage, personal injury, or death.

---

**Information in this document is subject to change without notice.**

**© 2010 Dell Inc. All rights reserved.**

Reproduction of these materials in any manner whatsoever without the written permission of Dell Inc. is strictly forbidden.

Trademarks used in this text: *Dell*, the *DELL* logo, and *PowerVault* are trademarks of Dell Inc.; *Microsoft*, *Windows*, *Windows Storage Server*, and *MS-DOS* are either trademarks or registered trademarks of Microsoft Corporation in the United States and/or other countries.

Other trademarks and trade names may be used in this document to refer to either the entities claiming the marks and names or their products. Dell Inc. disclaims any proprietary interest in trademarks and trade names other than its own.

Regulatory Model E13S Series  
Regulatory Type E13S001

# Contents

1	About Your System . . . . .	11
	<b>Accessing System Features During Startup</b> . . . . .	11
	<b>Front-Panel Features and Indicators</b> . . . . .	12
	<b>Hard-Drive Indicator Patterns</b> . . . . .	15
	<b>Back-Panel Features and Indicators</b> . . . . .	16
	<b>Guidelines for Connecting Optional External Devices</b> . . . . .	18
	<b>NIC Indicator Codes</b> . . . . .	19
	<b>Power Indicator Codes</b> . . . . .	19
	<b>Diagnostic Lights</b> . . . . .	21
	<b>System Messages</b> . . . . .	23
	<b>Warning Messages</b> . . . . .	39
	<b>Diagnostics Messages</b> . . . . .	39
	<b>Alert Messages</b> . . . . .	39
	<b>Other Information You May Need</b> . . . . .	40
2	Using the System Setup Program and UEFI Boot Manager . . . . .	41
	<b>Choosing the System Boot Mode</b> . . . . .	41

<b>Entering the System Setup Program . . . . .</b>	<b>42</b>
Responding to Error Messages . . . . .	42
Using the System Setup Program Navigation Keys . . . . .	42
<b>System Setup Options . . . . .</b>	<b>43</b>
Main Screen . . . . .	43
Memory Settings Screen . . . . .	45
Processor Settings Screen . . . . .	45
SATA Settings Screen (Optional) . . . . .	47
Boot Settings Screen . . . . .	47
Integrated Devices Screen . . . . .	48
PCI IRQ Assignments Screen . . . . .	49
Serial Communication Screen . . . . .	49
Power Management Screen . . . . .	51
System Security Screen . . . . .	52
Exit Screen . . . . .	54
<b>Entering the UEFI Boot Manager . . . . .</b>	<b>54</b>
Using the UEFI Boot Manager Navigation Keys . . . . .	54
UEFI Boot Manager Screen . . . . .	55
UEFI Boot Settings Screen . . . . .	55
System Utilities Screen . . . . .	56
<b>System and Setup Password Features . . . . .</b>	<b>56</b>
Using the System Password . . . . .	56
Using the Setup Password . . . . .	58
<b>Embedded System Management . . . . .</b>	<b>60</b>
<b>iDRAC Configuration Utility . . . . .</b>	<b>60</b>
Entering the iDRAC Configuration Utility . . . . .	61

<b>3</b>	<b>Installing System Components</b>	<b>63</b>
	<b>Recommended Tools</b>	<b>63</b>
	<b>Inside the System</b>	<b>63</b>
	<b>Front Bezel (Optional)</b>	<b>65</b>
	Removing the Front Bezel	65
	Installing the Front Bezel	66
	<b>Opening and Closing the System</b>	<b>66</b>
	Opening the System	66
	Closing the System	67
	<b>Cooling Shroud</b>	<b>68</b>
	Removing the Cooling Shroud	68
	Installing the Cooling Shroud	69
	<b>Hard Drives</b>	<b>69</b>
	Removing a Hard-Drive Blank	69
	Installing a Hard-Drive Blank	70
	Removing a Hot-Swap Hard Drive	70
	Installing a Hot-Swap Hard Drive	71
	Removing a Hard Drive From a Hard-Drive Carrier	72
	Installing a Hard Drive Into a Hard-Drive Carrier	73
	<b>Internal Hard Drives</b>	<b>73</b>
	Removing an Internal Hard Drive Bay	73
	Installing an Internal Hard Drive Bay	75
	Removing an Internal Hard Drive From the Internal Hard-Drive Bay	76
	Installing a Hard Drive Into a Hard-Drive Bay	76
	<b>Cooling Fans</b>	<b>77</b>
	Removing a Cooling Fan	77

Replacing a Cooling Fan . . . . .	79
<b>Power Supplies . . . . .</b>	<b>79</b>
Removing a Redundant Power Supply . . . . .	80
Installing a Redundant Power Supply . . . . .	81
Removing the Power Supply Blank . . . . .	82
Installing the Power Supply Blank . . . . .	82
<b>System Memory . . . . .</b>	<b>82</b>
General Memory Module Installation Guidelines . . . . .	83
Mode-Specific Guidelines . . . . .	84
Installing Memory Modules . . . . .	87
Removing Memory Modules . . . . .	89
<b>Expansion Cards and Expansion-Card Risers . . . . .</b>	<b>90</b>
Expansion Card Installation Guidelines . . . . .	90
Installing an Expansion Card . . . . .	92
Removing an Expansion Card . . . . .	94
Removing an Expansion-Card Riser . . . . .	95
Installing an Expansion-Card Riser . . . . .	97
<b>Integrated Storage Controller Card . . . . .</b>	<b>97</b>
Removing the Storage Controller Card . . . . .	98
Installing the Storage Controller Card . . . . .	100
<b>iDRAC6 Express Card . . . . .</b>	<b>101</b>
Installing an iDRAC6 Express Card . . . . .	101
Removing an iDRAC6 Express Card . . . . .	102
<b>iDRAC6 Enterprise Card (Optional) . . . . .</b>	<b>103</b>
Installing an iDRAC6 Enterprise Card . . . . .	103
Removing an iDRAC6 Enterprise Card . . . . .	105
<b>VFlash Media (Optional) . . . . .</b>	<b>106</b>
Installing a VFlash Media Card . . . . .	106

Removing a VFlash Media Card . . . . .	106
<b>Internal USB Memory Key . . . . .</b>	<b>106</b>
<b>Processors . . . . .</b>	<b>107</b>
Removing a Processor . . . . .	107
Installing a Processor . . . . .	111
<b>System Battery . . . . .</b>	<b>112</b>
Replacing the System Battery . . . . .	112
<b>RAID Battery (Optional) . . . . .</b>	<b>115</b>
Removing the RAID Battery . . . . .	115
Installing the RAID Battery . . . . .	116
<b>Control Panel Assembly . . . . .</b>	<b>116</b>
Removing the Control-Panel Module . . . . .	116
Installing the Control-Panel Module . . . . .	118
<b>SAS Backplane . . . . .</b>	<b>118</b>
Removing the SAS Backplane . . . . .	118
Installing the SAS Backplane . . . . .	121
<b>Power Distribution Board . . . . .</b>	<b>122</b>
Removing the Power Distribution Board . . . . .	122
Installing the Power Distribution Board . . . . .	124
<b>System Board . . . . .</b>	<b>125</b>
Removing the System Board . . . . .	125
Installing the System Board . . . . .	127
<b>4 Troubleshooting Your System . . . . .</b>	<b>129</b>
<b>Safety First—For You and Your System . . . . .</b>	<b>129</b>
<b>Troubleshooting System Startup Failure . . . . .</b>	<b>129</b>

<b>Troubleshooting External Connections . . . . .</b>	<b>129</b>
<b>Troubleshooting the Video Subsystem. . . . .</b>	<b>130</b>
<b>Troubleshooting a USB Device . . . . .</b>	<b>130</b>
<b>Troubleshooting a Serial I/O Device. . . . .</b>	<b>131</b>
<b>Troubleshooting a NIC . . . . .</b>	<b>131</b>
<b>Troubleshooting a Wet System. . . . .</b>	<b>132</b>
<b>Troubleshooting a Damaged System. . . . .</b>	<b>134</b>
<b>Troubleshooting the System Battery . . . . .</b>	<b>134</b>
<b>Troubleshooting Power Supplies . . . . .</b>	<b>135</b>
<b>Troubleshooting System Cooling Problems . . . . .</b>	<b>136</b>
<b>Troubleshooting a Fan . . . . .</b>	<b>136</b>
<b>Troubleshooting System Memory . . . . .</b>	<b>137</b>
<b>Troubleshooting an Internal USB Key . . . . .</b>	<b>139</b>
<b>Troubleshooting a Hard Drive . . . . .</b>	<b>140</b>
<b>Troubleshooting an Internal Hard Drive . . . . .</b>	<b>141</b>
<b>Troubleshooting a Storage Controller . . . . .</b>	<b>142</b>
<b>Troubleshooting Expansion Cards. . . . .</b>	<b>143</b>
<b>Troubleshooting Processors. . . . .</b>	<b>145</b>
<b>5 Running the System Diagnostics . . . . .</b>	<b>147</b>
<b>Using Online Diagnostics . . . . .</b>	<b>147</b>
<b>Embedded System Diagnostics Features . . . . .</b>	<b>147</b>



	<b>When to Use the Embedded System Diagnostics . . . . .</b>	<b>148</b>
	<b>Running the Embedded System Diagnostics . . . . .</b>	<b>148</b>
	<b>Embedded System Diagnostics Testing Options . . . . .</b>	<b>149</b>
	<b>Using the Custom Test Options . . . . .</b>	<b>149</b>
	Selecting Devices for Testing . . . . .	149
	Selecting Diagnostics Options . . . . .	149
	Viewing Information and Results. . . . .	150
<b>6</b>	<b>Jumpers and Connectors . . . . .</b>	<b>151</b>
	<b>System Board Jumpers . . . . .</b>	<b>151</b>
	<b>System Board Connectors . . . . .</b>	<b>152</b>
	<b>Disabling a Forgotten Password . . . . .</b>	<b>154</b>
<b>7</b>	<b>Getting Help. . . . .</b>	<b>157</b>
	<b>Contacting Dell . . . . .</b>	<b>157</b>
	<b>Index . . . . .</b>	<b>159</b>



# About Your System

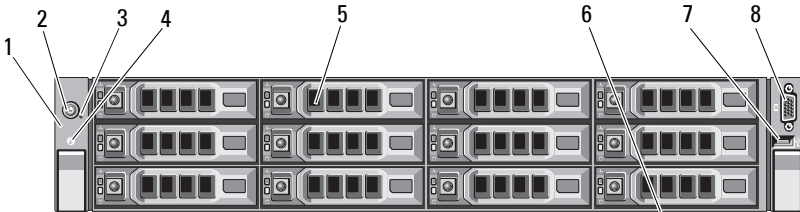
## Accessing System Features During Startup

The following keystrokes provide access to system features during startup.




Keystroke	Description
<F2>	Enters the System Setup program. See "Using the System Setup Program and UEFI Boot Manager" on page 41.
<F10>	Enters System Services, which opens the Lifecycle Controller. The controller allows you to access utilities such as embedded system diagnostics. For information on Lifecycle Controller or any of the Lifecycle Controller software components, see the Lifecycle Controller documentation on the Dell Support website at <a href="http://dell.com/support">dell.com/support</a> .
<F11>	Enters the BIOS Boot Manager or the Unified Extensible Firmware Interface (UEFI) Boot Manager, depending on the system's boot configuration. See "Using the System Setup Program and UEFI Boot Manager" on page 41.
<F12>	Starts Preboot eXecution Environment (PXE) boot.
<Ctrl><E>	Enters the Baseboard Management Controller (BMC) or iDRAC Configuration Utility, which allows access to the system event log (SEL) and configuration of remote access to the system. For more information, see the BMC or iDRAC user documentation.
<Ctrl><C>	Enters the SAS Configuration Utility. For more information, see the SAS adapter documentation.
<Ctrl><R>	Enters the RAID configuration utility. For more information, see the documentation for your SAS RAID card.
<Ctrl><S>	Enters the utility to configure NIC settings for PXE boot. For more information, see the documentation for your integrated NIC.



# Front-Panel Features and Indicators

Figure 1-1. Front-Panel Features and Indicators



Item	Indicator, Button, or Connector	Icon	Description
1	LED panel		The LED panel has four diagnostic indicator lights that display error codes during system startup. See "Diagnostic Lights" on page 21.

Item	Indicator, Button, or Connector	Icon	Description
2	Power-on indicator/ power button		<p>The power-on indicator lights when the system power is on.</p> <p>The power button controls the DC power supply output to the system. When the optional system bezel is installed, the power button is not accessible.</p> <p><b>NOTE:</b> When powering on the system, the video monitor can take from several seconds to over 2 minutes to display an image, depending on the amount of memory installed in the system.</p> <p><b>NOTE:</b> On ACPI-compliant operating systems, turning off the system using the power button causes the system to perform a graceful shutdown before power to the system is turned off.</p> <p><b>NOTE:</b> To force an ungraceful shutdown, press and hold the power button for five seconds.</p>
3	NMI button		<p>Used to troubleshoot software and device driver errors when using certain operating systems. This button can be pressed using the end of a paper clip.</p> <p>Use this button only if directed to do so by qualified support personnel or by the operating system's documentation.</p>
4	System identification button		<p>The identification buttons on the front and back panels can be used to locate a particular system within a rack. When one of these buttons is pushed, the blue system status indicator on the back blinks until one of the buttons is pushed again.</p>
5	Hard drives		<p>Up to twelve 3.5-inch or 2.5-inch, hot-swappable SAS or SATA drives.</p>

<b>Item</b>	<b>Indicator, Button, or Connector</b>	<b>Icon</b>	<b>Description</b>
6	System identification panel		A slide-out panel for system information including the Express Service tag, embedded NIC MAC address, and iDRAC6 Enterprise card MAC address.
7	USB connector		Connect USB devices to the system. The ports are USB 2.0-compliant.
8	Video connector		Connects a monitor to the system.

# Hard-Drive Indicator Patterns

Figure 1-2. Hard-Drive Indicators



1 hard-drive activity indicator (green)

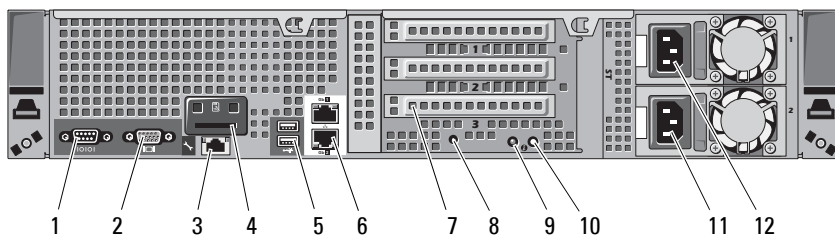
2 hard-drive status indicator (green and amber)

Drive-Status Indicator Pattern	Condition
Blinks green two times per second	Identify drive/preparing for removal
Off	Drive ready for insertion or removal <b>NOTE:</b> The drive status indicator remains off until all hard drives are initialized after system power is applied. Drives are not ready for insertion or removal during this time.
Blinks green, amber, and off	Drive predicted failure

Drive-Status Indicator Pattern	Condition
Blinks amber four times per second	Drive failed
Blinks green slowly	Drive rebuilding
Steady green	Drive online
Blinks green three seconds, off three seconds, amber three seconds, and off three seconds.	Rebuild aborted





## Back-Panel Features and Indicators


Figure 1-3. Back-Panel Features and Indicators



Item	Indicator, Button, or Connector	Icon	Description
1	Serial connector		Connects a serial device to the system.
2	Video connector		Connects a VGA display to the system.



Item	Indicator, Button, or Connector	Icon	Description
3	iDRAC6 Enterprise port (optional)		Dedicated management port for the optional iDRAC6 Enterprise card.
4	VFlash media slot (optional)		Connects an external SD memory card for the optional iDRAC6 Enterprise card.
5	USB connectors (2)		Connect USB devices to the system. The ports are USB 2.0-compliant.
6	Ethernet connectors (2)		Embedded 10/100/1000 NIC connectors.
7	PCIe expansion card slots using riser card		Depending on the configuration, your system may have either riser 1 or riser 2. <b>NOTE:</b> See the <i>Getting Started Guide</i> that ships with your system for more information.
	Riser 1		Connects four PCI Express Generation 2 expansion cards
	OR		<b>NOTE:</b> All four slots are x8 connectors.
	Riser 2		Connects two PCI Express Generation 2 expansion cards. <b>NOTE:</b> A General Purpose Computation on Graphics Processing Units (GPGPU) optimized configuration is available on Riser 2.
8	System identification connector		Connects the optional system status indicator assembly through the optional cable management arm.

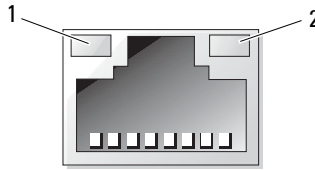
Item	Indicator, Button, or Connector	Icon	Description
9	System status indicator		<p>Lights blue during normal system operation.</p> <p>Both the systems management software and the identification buttons located on the front and back of the system can cause the indicator to flash blue to identify a particular system.</p> <p>Lights amber when the system needs attention due to a problem.</p>
10	System identification button		<p>Turns the system ID modes on and off.</p> <p>The identification buttons on the front and back panels can be used to locate a particular system within a rack. When one of these buttons is pushed, the system status indicator on the chassis back panel lights blue until one of the buttons is pushed again.</p>
11	Power supply 2 (PS2)		750 W/1100 W redundant power supply
12	Power supply 1 (PS1)		750 W/1100 W redundant power supply

## Guidelines for Connecting Optional External Devices

- Turn off power to the system and external devices before attaching a new external device. Turn on any external devices before turning on the system (unless the documentation for the device specifies otherwise).
- Ensure that the appropriate driver for the attached device has been installed on the system.
- If necessary to enable ports on your system, use the System Setup program. See "Using the System Setup Program and UEFI Boot Manager" on page 41.

# NIC Indicator Codes

Figure 1-4. NIC Indicators



1 link indicator

2 activity indicator

Indicator	Indicator Code
Link and activity indicators are off	The NIC is not connected to the network.
Link indicator is green	The NIC is connected to a valid network link at 1000 Mbps.
Link indicator is amber	The NIC is connected to a valid network link at 10/100 Mbps.
Activity indicator is green	Network data is being sent or received.

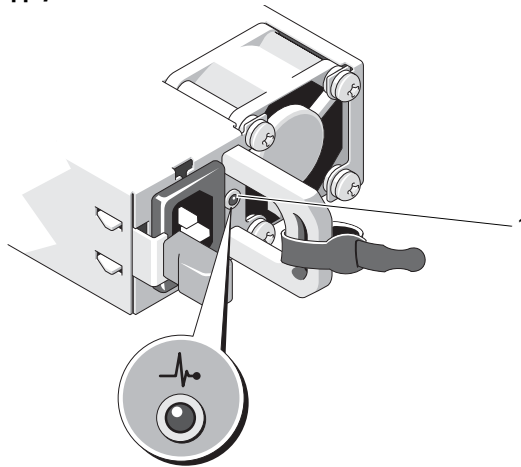
## Power Indicator Codes

The power supplies have an indicator that shows whether power is present or whether a power fault has occurred.

- Not lit—AC power is not connected.
- Green—In standby mode, indicates that a valid AC source is connected to the power supply, and that the power supply is operational. When the system is on, it also indicates that the power supply is providing DC power to the system.

- Amber—Indicates a problem with the power supply.
- Alternating green and amber—When hot-adding a power supply, this indicates that the power supply is mismatched with the other power supply. Replace the power supply that has the flashing indicator with a power supply that matches the capacity of the other installed power supply.

**Figure 1-5. Power Supply Status Indicator**



1 power supply status









# Diagnostic Lights

The four diagnostic indicator lights on the system front panel display error codes during system startup. Table 1-1 lists the causes and possible corrective actions associated with these codes. A highlighted circle indicates the light is on; a non-highlighted circle indicates the light is off.

**Table 1-1. Diagnostic Indicator Codes**

Code	Causes	Corrective Action
① ② ③ ④	<p>The system is in a normal off condition or a possible pre-BIOS failure has occurred.</p> <p>The diagnostic lights are not lit after the system successfully boots to the operating system.</p> <p>The system is in a normal operating condition after POST.</p>	<p>Plug the system into a working electrical outlet and press the power button.</p> <p>Information only.</p>
① ② ③ ④	BIOS checksum failure detected; system is in recovery mode.	See "Getting Help" on page 157.
① ② ③ ④	Possible processor failure.	See "Troubleshooting Processors" on page 145.
① ② ③ ④	Memory failure.	See "Troubleshooting System Memory" on page 137.
① ② ③ ④	Possible expansion card failure.	See "Troubleshooting Expansion Cards" on page 143.
① ② ③ ④	Possible video failure.	See "Getting Help" on page 157.

**Table 1-1. Diagnostic Indicator Codes**

<b>Code</b>	<b>Causes</b>	<b>Corrective Action</b>
	Hard drive failure.	Ensure that the hard drive is properly connected. See "Hard Drives" on page 69 for information on the drives installed in your system.
	Possible USB failure.	See "Troubleshooting a USB Device" on page 130.
	No memory modules detected.	See "Troubleshooting System Memory" on page 137.
	System board failure.	See "Getting Help" on page 157.
	Memory configuration error.	See "Troubleshooting System Memory" on page 137.
	Possible system board resource and/or system board hardware failure.	See "Getting Help" on page 157.
	Possible system resource configuration error.	See "Contacting Dell" on page 157.
	Other failure.	Ensure that the optical drive, and hard drives are properly connected. See "Troubleshooting Your System" on page 129 for the appropriate drive installed in your system. If the problem persists, see "Getting Help" on page 157.

# System Messages

System messages appear on the screen to notify you of a possible problem with the system.



**NOTE:** If you receive a system message not listed in the table, check the documentation for the application that is running or the operating system's documentation for an explanation of the message and recommended action.

Message	Causes	Corrective Actions
128-bit Advanced ECC mode disabled. For 128-bit Advanced ECC, DIMMs must be installed in pairs. Pairs must be matched in size and geometry.	The Advanced ECC option was enabled in BIOS, but is no longer valid due to an unsupported memory configuration, possibly a faulty or removed memory module. The Advanced ECC setting has been disabled.	Check other messages for a faulty memory module. Reconfigure the memory modules for Advanced ECC mode. See "System Memory" on page 82.
Alert! Advanced ECC Memory Mode disabled! Memory configuration does not support Advanced ECC Memory Mode.	Advanced ECC Memory Mode was enabled in the system setup program, but the current configuration does not support Advanced ECC Memory Mode. A memory module may be faulty.	Ensure that the memory modules are installed in a configuration that supports Advanced ECC Memory Mode. Check other system messages for additional information for possible causes. For memory configuration information, see "General Memory Module Installation Guidelines" on page 83. If the problem persists, see "Troubleshooting System Memory" on page 137.

<b>Message</b>	<b>Causes</b>	<b>Corrective Actions</b>
Alert! iDRAC6 not responding. Rebooting.	The optional iDRAC6 is not responding to BIOS communication either because it is not functioning properly or has not completed initialization. The system reboots.	Wait for the system to reboot.
Alert! iDRAC6 not responding. Power required may exceed PSU wattage. Alert! Continuing system boot accepts the risk that system may power down without warning.	The optional iDRAC6 has hung. The optional iDRAC6 was remotely reset while system was booting. After AC recovery, the optional iDRAC6 takes longer than normal to boot.	Remove AC power to the system for 10 seconds and restart the system.
Alert! Node Interleaving disabled! Memory configuration does not support Node Interleaving.	The memory configuration does not support node interleaving, or the configuration has changed (for example, a memory module has failed) so that node interleaving cannot be supported. The system still runs, but without node interleaving.	Ensure that the memory modules are installed in a configuration that supports node interleaving. Check other system messages for additional information for possible causes. For memory configuration information, see "General Memory Module Installation Guidelines" on page 83. If the problem persists, see "Troubleshooting System Memory" on page 137.



<b>Message</b>	<b>Causes</b>	<b>Corrective Actions</b>
Alert! Power required exceeds PSU wattage. Check PSU and system configuration.  Alert! Continuing system boot accepts the risk that system may power down without warning.	The system configuration of processor(s), memory modules, and expansion cards may not be supported by the power supplies.	If any system components were just upgraded, return the system to the previous configuration. If the system boots without this warning, then the replaced component(s) are not supported with this power supply. If Energy Smart power supplies are installed, replace them with High Output power supplies to use the components. See "Power Supplies" on page 79.
Alert! Redundant memory disabled! Memory configuration does not support redundant memory.	Memory Sparing or Memory Mirroring was enabled in the system setup program, but the current configuration does not support redundant memory. A memory module may be faulty.	Check the memory modules for failure. See "Troubleshooting System Memory" on page 137. Reset the memory setting, if appropriate. See "Using the System Setup Program and UEFI Boot Manager" on page 41.
Alert! System fatal error during previous boot.	An error caused the system to reboot.	Check other system messages for additional information for possible causes.
BIOS MANUFACTURING MODE detected. MANUFACTURING MODE will be cleared before the next boot. System reboot required for normal operation.	System is in manufacturing mode.	Reboot to take the system out of manufacturing mode.

<b>Message</b>	<b>Causes</b>	<b>Corrective Actions</b>
BIOS Update Attempt Failed!	Remote BIOS update attempt failed.	Retry the BIOS update. If problem persists, see "Getting Help" on page 157.
Caution! NVRAM_CLR jumper is installed on system board. Please run SETUP.	NVRAM_CLR jumper is installed in the clear setting. CMOS has been cleared.	Move the NVRAM_CLR jumper to the default position (pins 3 and 5). See Figure 6-1 for jumper location. Restart the system and re-enter the BIOS settings. See "Using the System Setup Program and UEFI Boot Manager" on page 41.
CPU set to minimum frequency.	The processor speed may be intentionally set lower for power conservation.	If not an intentional setting, check any other system messages for possible causes.
CPU x installed with no memory.	Memory modules are required but not installed in the indicated processor's memory slots.	Install memory modules for the processor. See "System Memory" on page 82.

<b>Message</b>	<b>Causes</b>	<b>Corrective Actions</b>
CPUs with different cache sizes detected.	Mismatched processors have been installed in the system.	Ensure that all processors have the same cache size, number of cores and logical processors, and power rating.
CPUs with different core sizes detected! System halted.		Ensure that the processors are properly installed. See "Processors" on page 107.
CPUs with different logical processors detected! System halted.		
CPUs with different power rating detected! System halted.		
Current boot mode is set to UEFI. Please ensure compatible bootable media is available. Use the system setup program to change the boot mode as needed.	The system failed to boot because UEFI boot mode is enabled in BIOS and the boot operating system is non-UEFI.	Ensure that the boot mode is set correctly and that the proper bootable media is available. See "Using the System Setup Program and UEFI Boot Manager" on page 41.
Decreasing available memory.	Faulty or improperly installed memory modules.	Reseat the memory modules. See "Troubleshooting System Memory" on page 137.

<b>Message</b>	<b>Causes</b>	<b>Corrective Actions</b>
DIMM configuration on each CPU should match.	Invalid memory configuration on a dual-processor system. The memory module configuration for each processor must be identical.	Ensure that the memory modules are installed in a valid configuration. See "General Memory Module Installation Guidelines" on page 83.
Embedded NICx and NICy: OS NIC=<ENABLED /DISABLED>, Management Shared NIC=<ENABLED /DISABLED>	The OS NIC interface is set in BIOS. The Management Shared NIC interface is set in management tools.	Check the system management software or the System Setup program for NIC settings. If a problem is indicated, see "Troubleshooting a NIC" on page 131.
Error 8602 - Auxiliary Device Failure. Verify that mouse and keyboard are securely attached to correct connectors.	Mouse or keyboard cable is loose or improperly connected. Defective mouse or keyboard.	Reseat the mouse or keyboard cable. Ensure that the mouse or keyboard is operational. See "Troubleshooting a USB Device" on page 130.
Gate A20 failure.	Faulty keyboard controller; faulty system board.	See "Getting Help" on page 157.
Invalid configuration information - please run SETUP program.	An invalid system configuration caused a system halt.	Run the System Setup program and review the current settings. See "Using the System Setup Program and UEFI Boot Manager" on page 41.
Invalid PCIe card found in the Internal_Storage slot!	The system halted because an invalid PCIe expansion card is installed in the dedicated storage controller slot.	Remove the PCIe expansion card and install the integrated storage controller in the dedicated slot. See "RAID Battery (Optional)" on page 115.

<b>Message</b>	<b>Causes</b>	<b>Corrective Actions</b>
Keyboard fuse has failed.	Overcurrent detected at the keyboard connector.	See "Getting Help" on page 157.
Local keyboard may not work because all user accessible USB ports are disabled. If operating locally, power cycle the system and enter system setup program to change settings.	The USB ports are disabled in the system BIOS.	Power down and restart the system from the power button, and then enter the System Setup program to enable the USB port(s). See "Entering the System Setup Program" on page 42.
Manufacturing mode detected.	System is in manufacturing mode.	Reboot to take the system out of manufacturing mode.
Maximum rank count exceeded. The following DIMM has been disabled: x.	Invalid memory configuration. The system runs but with the specified memory module disabled.	Ensure that the memory modules are installed in a valid configuration. See "General Memory Module Installation Guidelines" on page 83.
Memory Initialization Warning: Memory size may be reduced.	Invalid memory configuration. The system runs but with less memory than is physically available.	Ensure that the memory modules are installed in a valid configuration. See "General Memory Module Installation Guidelines" on page 83.

<b>Message</b>	<b>Causes</b>	<b>Corrective Actions</b>
Memory set to minimum frequency.	<p>The memory frequency may be intentionally set lower for power conservation.</p> <p>The current memory configuration may support only the minimum frequency.</p>	<p>If not an intentional setting, check any other system messages for possible causes.</p> <p>Ensure that your memory configuration supports the higher frequency. See "General Memory Module Installation Guidelines" on page 83.</p>
Memory tests terminated by keystroke.	POST memory test was terminated by pressing the spacebar.	Information only.
MEMTEST lane failure detected on x.	Invalid memory configuration. Mismatched memory modules are installed.	Ensure that the memory modules are installed in a valid configuration. See "General Memory Module Installation Guidelines" on page 83.
Mirror mode disabled. For mirror mode, DIMMs must be installed in pairs. Pairs must be matched in size and geometry.	The memory configuration does not match the setting in BIOS. The BIOS setting has been disabled.	Reconfigure the memory modules for Memory Mirroring mode. See "System Memory" on page 82.

<b>Message</b>	<b>Causes</b>	<b>Corrective Actions</b>
No boot device available.	Faulty or missing optical drive subsystem, hard drive, or hard drive subsystem, or no bootable USB key installed.	Use a bootable USB key, optical drive, or hard drive. If the problem persists, see "Troubleshooting a USB Device" on page 130, "Troubleshooting an Internal USB Key" on page 139, and "Troubleshooting a Hard Drive" on page 140. See "Using the System Setup Program and UEFI Boot Manager" on page 41 for information on setting the order of boot devices.
No boot sector on hard drive.	Incorrect configuration settings in System Setup program, or no operating system on hard drive.	Check the hard drive configuration settings in the System Setup program. See "Using the System Setup Program and UEFI Boot Manager" on page 41. If necessary, install the operating system on your hard drive. See your operating system documentation.
No timer tick interrupt.	Faulty system board.	See "Getting Help" on page 157.
PCIe Training Error: Expected Link Width is x, Actual Link Width is y.	Faulty or improperly installed PCIe card in the specified slot.	Reseat the PCIe card in the specified slot number. See "Troubleshooting Expansion Cards" on page 143. If the problem persists, see "Getting Help" on page 157.

<b>Message</b>	<b>Causes</b>	<b>Corrective Actions</b>
Plug & Play Configuration Error.	Error encountered in initializing PCIe device; faulty system board.	Install the NVRAM_CLR jumper in the clear position (pins 1 and 3) and reboot the system. See Figure 6-1 for jumper location. If the problem persists, see "Troubleshooting Expansion Cards" on page 143.
Quad rank DIMM detected after single rank or dual rank DIMM in socket.	Invalid memory configuration.	Ensure that the memory modules are installed in a valid configuration. See "General Memory Module Installation Guidelines" on page 83.
Read fault. Requested sector not found.	The operating system cannot read from the hard drive, optical drive, or USB device, the system could not find a particular sector on the disk, or the requested sector is defective.	Replace the optical medium, USB medium, or USB device. Ensure that the USB cables, SAS/SATA backplane cables, or optical drive cables are properly connected. See "Troubleshooting a USB Device" on page 130 or "Troubleshooting a Hard Drive" on page 140, for the appropriate drive(s) installed in your system.
SATA Port x device not found.	There is no device connected to the specified SATA port.	Information only.



<b>Message</b>	<b>Causes</b>	<b>Corrective Actions</b>
Sector not found. Seek error. Seek operation failed.	Faulty hard drive, USB device, or USB medium.	Replace the USB medium or device. Ensure that the USB or SAS backplane cables are properly connected. See "Troubleshooting a USB Device" on page 130 or "Troubleshooting a Hard Drive" on page 140 for the appropriate drive(s) installed in your system.
Shutdown failure.	General system error.	See "Getting Help" on page 157.
Sparing mode disabled. For sparing mode, matched sets of three must be populated across slots.	The memory configuration does not match the setting in BIOS. The BIOS setting has been disabled.	Reconfigure the memory modules for Memory Sparing mode. See "System Memory" on page 82.
The amount of system memory has changed.	Memory has been added or removed or a memory module may be faulty.	If memory has been added or removed, this message is informative and can be ignored. If memory has not been added or removed, check the SEL to determine if single-bit or multi-bit errors were detected and replace the faulty memory module. See "Troubleshooting System Memory" on page 137.

<b>Message</b>	<b>Causes</b>	<b>Corrective Actions</b>
<p>The following DIMMs should match in geometry: x, x, ...</p> <p>The following DIMMs should match in rank count: x, x, ...</p> <p>The following DIMMs should match in size: x, x, ...</p> <p>The following DIMMs should match in size and geometry: x, x, ...</p> <p>The following DIMMs should match in size and rank count: x, x, ...</p>	<p>Invalid memory configuration. The specified memory modules do not match in size, number of ranks, or number of data lanes.</p>	<p>Ensure that the memory modules are installed in a valid configuration. See "General Memory Module Installation Guidelines" on page 83.</p>
<p>Thermal sensor not detected on x.</p>	<p>A memory module without a thermal sensor is installed in the specified memory slot.</p>	<p>Replace the memory module. See "System Memory" on page 82.</p>
<p>Time-of-day clock stopped.</p>	<p>Faulty battery or faulty chip.</p>	<p>See "Troubleshooting the System Battery" on page 134.</p>
<p>Time-of-day not set - please run SETUP program.</p>	<p>Incorrect Time or Date settings; faulty system battery.</p>	<p>Check the Time and Date settings. See "Using the System Setup Program and UEFI Boot Manager" on page 41. If the problem persists, replace the system battery. See "System Battery" on page 112.</p>

<b>Message</b>	<b>Causes</b>	<b>Corrective Actions</b>
Timer chip counter 2 failed.	Faulty system board.	See "Getting Help" on page 157.
TPM configuration operation honored. System will now reset.	A TPM configuration command has been entered. The system reboots and executes the command.	Information only.
TPM configuration operation is pending. Press (I) to Ignore OR (M) to Modify to allow this change and reset the system.  WARNING: Modifying could prevent security.	This message displays during system restart after a TPM configuration command has been entered. User interaction is required to proceed.	Enter I or M to proceed.
TPM failure.	A Trusted Platform Module (TPM) function has failed.	See "Getting Help" on page 157.
Unable to launch System Services image. System halted!	System halted after <F10> keystroke because System Services image is either corrupted in the system firmware or has been lost due to system board replacement. The optional iDRAC6 Enterprise card flash memory or BMC SPI flash may be corrupted.	Restart the system and update the Lifecycle Controller repository to the latest software to restore full functionality. See the <i>Lifecycle Controller User Guide</i> for more information.  Restore the flash memory using the latest version on <a href="http://dell.com/support">dell.com/support</a> . See the <i>Integrated Dell™ Remote Access Controller 6 (iDRAC6) User Guide</i> for instructions on performing a field replacement of the flash memory.

<b>Message</b>	<b>Causes</b>	<b>Corrective Actions</b>
Unexpected interrupt in protected mode.	Improperly seated memory modules or faulty keyboard/mouse controller chip.	Reseat the memory modules. See "Troubleshooting System Memory" on page 137. If the problem persists, see "Getting Help" on page 157.
Unsupported CPU combination. Unsupported CPU stepping detected.	Processor(s) is not supported by the system.	Install a supported processor or processor combination. See "Processors" on page 107.
Unsupported DIMM detected. The following DIMM has been disabled: x.	Invalid memory configuration. The system runs but with the specified memory module disabled.	Ensure that the memory modules are installed in a valid configuration. See "General Memory Module Installation Guidelines" on page 83.
Unsupported memory configuration. DIMM mismatch across slots detected: x, x, . . .	Invalid memory configuration. Memory modules are mismatched in the specified slots.	Ensure that the memory modules are installed in a valid configuration. See "General Memory Module Installation Guidelines" on page 83.
Unused memory detected. DIMM's installed in the following slot are not available when in mirror mode: x, x, x.	The memory configuration is not optimal for mirroring Mode. Modules in the specified slots are unused.	Reconfigure the memory for Memory Mirroring Mode, or change the memory mode to <b>Optimized</b> or <b>Sparing</b> in the BIOS setup screen. See "System Memory" on page 82.

<b>Message</b>	<b>Causes</b>	<b>Corrective Actions</b>
Unused memory detected. DIMM's installed in the following slot are not available when in 128-bit advanced ECC mode: <i>x, x, x</i> .	The memory configuration is not optimal for Advanced ECC Memory Mode. Modules in the specified slots are unused.	Reconfigure the memory for Advanced ECC Memory Mode, or change the memory mode to <b>Optimized</b> or <b>Sparing</b> in the BIOS setup screen. See "System Memory" on page 82.
Warning: A fatal error has caused system reset! Please check the system event log!	A fatal system error occurred and caused the system to reboot.	Check the SEL for information that was logged during the error. See the applicable troubleshooting section in "Troubleshooting Your System" on page 129 for any faulty components specified in the SEL.
Warning: Control Panel is not installed.	The control panel is not installed or has a faulty cable connection.	Install the control panel, or check the cable connections between the display module, the control panel board, and the system board. See "Integrated Storage Controller Card" on page 97.
Warning! No micro code update loaded for processor <i>n</i> .	Micro code update failed.	Update the BIOS firmware. See "Getting Help" on page 157.

<b>Message</b>	<b>Causes</b>	<b>Corrective Actions</b>
Warning! Power required exceeds PSU wattage. Check PSU and system configuration.  Warning! Performance degraded. CPU and memory set to minimum frequencies to meet PSU wattage. System will reboot.	The system configuration of processor(s), memory modules, and expansion cards may not be supported by the power supplies.	If any system components were just upgraded, return the system to the previous configuration. If the system boots without this warning, then the replaced component(s) are not supported with this power supply. If Energy Smart power supplies are installed, replace them with the High Output power supplies to use the components. See "Power Supplies" on page 79.
Warning! PSU mismatch. PSU redundancy lost. Check PSU.	A High Output power supply and an Energy Smart power supply are installed in the system at the same time.	Install two High Output or two Energy Smart power supplies in the system.  You can also run the system on one power supply until you can obtain two power supplies of the same type. See "Troubleshooting Power Supplies" on page 135.
Warning! Unsupported memory configuration detected. The memory configuration is not optimal. The recommended memory configuration is: <message>	Invalid memory configuration. The system runs but with reduced functionality.	Ensure that the memory modules are installed in a valid configuration. See "General Memory Module Installation Guidelines" on page 83. If the problem persists, see "Troubleshooting System Memory" on page 137.

Message	Causes	Corrective Actions
Write fault. Write fault on selected drive.	Faulty USB device, USB medium, optical drive assembly, hard drive, or hard drive subsystem.	Replace the USB medium or device. Ensure that the USB, SAS backplane, or SATA cables are properly connected. See "Troubleshooting a USB Device" on page 130, "Troubleshooting an Internal USB Key" on page 139, and "Troubleshooting a Hard Drive" on page 140.

**NOTE:** For the full name of an abbreviation or acronym used in this table, see the *Glossary* at [dell.com/support](http://dell.com/support).

## Warning Messages

A warning message alerts you to a possible problem and prompts you to respond before the system continues a task. Warning messages usually interrupt the task and require you to respond by typing y (yes) or n (no).



**NOTE:** Warning messages are generated by either the application or the operating system. For more information, see the documentation that accompanied the application or operating system.

## Diagnostics Messages

The system diagnostic utilities may issue messages if you run diagnostic tests on your system. See "Running the Embedded System Diagnostics" on page 148 for more information about system diagnostics.

## Alert Messages

Systems management software generates alert messages for your system. Alert messages include information, status, warning, and failure messages for drive, temperature, fan, and power conditions. For more information, see the systems management software documentation.

## Other Information You May Need



**WARNING:** See the safety and regulatory information that shipped with your system. Warranty information may be included within this document or as a separate document.

- The rack documentation included with your rack solution describes how to install your system into a rack.
- The *Getting Started Guide* provides an overview of system features, setting up your system, and technical specifications.
- Any media that ships with your system that provides documentation and tools for configuring and managing your system, including those pertaining to the operating system, system management software, system updates, and system components that you purchased with your system.
- The *Lifecycle Controller User Guide* provides information about setting up the controller, configuring hardware and firmware, and deploying the operating system.



**NOTE:** Always check for updates on [dell.com/support](https://www.dell.com/support) and read the updates first because they often supersede information in other documents.



# Using the System Setup Program and UEFI Boot Manager

The System Setup program is the BIOS program that enables you to manage your system hardware and specify BIOS-level options. From the System Setup program, you can:

- Change the NVRAM settings after you add or remove hardware
- View the system hardware configuration
- Enable or disable integrated devices
- Set performance and power management thresholds
- Manage system security

## Choosing the System Boot Mode

The System Setup program also enables you to specify the boot mode for installing your operating system:

- BIOS boot mode (the default) is the standard BIOS-level boot interface.
- Unified Extensible Firmware Interface (UEFI) boot mode is an enhanced 64-bit boot interface based on Unified Extensible Firmware Interface (UEFI) specifications that overlays the system BIOS. See "Entering the UEFI Boot Manager" on page 54 for more information on this interface.

You select the boot mode in the **Boot Mode** field of the Boot Settings screen of the System Setup program. See "Boot Settings Screen" on page 47. Once you specify the boot mode, the system boots in that mode and you proceed then to install your operating system from that mode. Thereafter, you must boot the system to the same boot mode (BIOS or UEFI) to access the installed operating system. Trying to boot the operating system from the other boot mode causes the system to halt immediately at startup.



**NOTE:** Operating systems must be UEFI-compatible (for example, Microsoft® Windows Storage Server® 2012 R2 version) to be installed from the UEFI boot mode. DOS and 32-bit operating systems do not support UEFI and can only be installed from the BIOS boot mode.

# Entering the System Setup Program

- 1 Turn on or restart your system.
- 2 Press <F2> after you see the following message:

<F2> = System Setup



**NOTE:** The system does not respond until the USB keyboard is active.

If your operating system begins to load before you press <F2>, allow the system to finish booting, and then restart your system and try again.

## Responding to Error Messages

If an error message appears while the system is booting, make a note of the message. See "System Messages" on page 23 for an explanation of the message and suggestions for correcting errors.



**NOTE:** After installing a memory upgrade, it is normal for your system to display a message that the system memory size has changed the first time you start your system.

## Using the System Setup Program Navigation Keys

Keys	Action
Up arrow or <Shift><Tab>	Moves to the previous field.
Down arrow or <Tab>	Moves to the next field.
<Enter>, <Spacebar>, <+>, <->, left and right arrows	Cycles through the settings in a field. In many fields, you can also type the appropriate value.
<Esc>	Exits the System Setup program and restarts the system if any changes were made.
<F1>	Displays the System Setup program's help file.

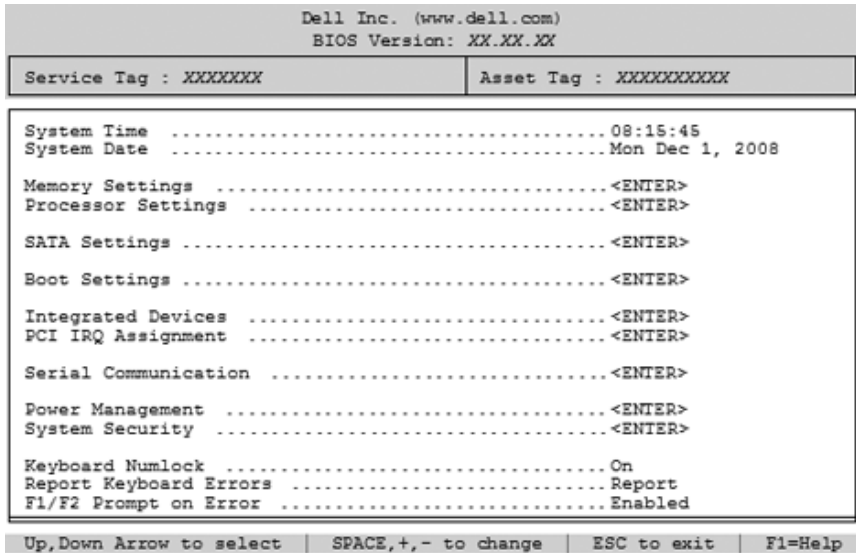


**NOTE:** For most of the options, any changes that you make are recorded but do not take effect until you restart the system.

# System Setup Options

## Main Screen

Figure 2-1. Main System Setup Program Screen




**NOTE:** The options for the System Setup program change based on the system configuration.



**NOTE:** The System Setup program defaults are listed under their respective options in the following sections, where applicable.

Option	Description
System Time	Sets the time on the system's internal clock.
System Date	Sets the date on the system's internal calendar.
Memory Settings	Displays information related to installed memory. See "Memory Settings Screen" on page 45.
Processor Settings	Displays information related to processors (speed, cache size, and so on). See "Processor Settings Screen" on page 45.

<b>Option</b>	<b>Description</b>
SATA Settings (Optional)	See "SATA Settings Screen (Optional)" on page 47.
Boot Settings	See "Boot Settings Screen" on page 47.
Integrated Devices	See "Integrated Devices Screen" on page 48.
PCI IRQ Assignment	Displays a screen to change the IRQ assigned to each of the integrated devices on the PCI bus, and any installed expansion card that requires an IRQ.
Serial Communication (Off default)	See "Serial Communication Screen" on page 49.
Power Management	Enables you to manage power usage of the processor, fans, and memory modules with preconfigured or customized settings. See "Power Management Screen" on page 51.
System Security	Displays a screen to configure the system password and setup password features. See "System Security Screen" on page 52, "Using the System Password" on page 56, and "Using the Setup Password" on page 58 for more information.
Keyboard NumLock (On default)	Determines whether your system starts up with the NumLock mode activated on 101- or 102-key keyboards (does not apply to 84-key keyboards).
Report Keyboard Errors (Report default)	Enables or disables reporting of keyboard errors during the POST. Select <b>Report</b> for host systems that have keyboards attached. Select <b>Do Not Report</b> to suppress all error messages relating to the keyboard or keyboard controller during POST. This setting does not affect the operation of the keyboard itself if a keyboard is attached to the system.
F1/F2 Prompt on Error (Enabled default)	Enables the system to halt on errors during POST, which allows the user to observe events that may scroll by unnoticed during normal POST. You can select F1 to continue or F2 to enter the System Setup program.
 <b>CAUTION: When setting this option to Disabled, the system does not halt if an error occurs during POST. Any critical errors is displayed and logged in the system event log.</b>	

## Memory Settings Screen

Option	Description
System Memory Size	Displays the system memory size.
System Memory Type	Displays the system memory type.
System Memory Speed	Displays the system memory speed.
Video Memory	Displays the video memory size.
System Memory Testing ( <b>Enabled</b> default)	Specifies whether system memory tests are run at system boot. Options are <b>Enabled</b> and <b>Disabled</b> .
Memory Operating Mode	This field displays the type of memory operation if a valid memory configuration is installed. When set to <b>Optimizer Mode</b> , the memory controllers run independently of each other for improved memory performance. When set to <b>Mirror Mode</b> , memory mirroring is enabled. When set to <b>Advanced ECC Mode</b> , two controllers are joined in 128-bit mode running multi-bit advanced ECC. For information about the memory modes, see "System Memory" on page 82. <b>NOTE:</b> The <b>Spare Mode</b> option may not be present on all systems.
Node Interleaving ( <b>Disabled</b> default)	If this field is <b>Enabled</b> , memory interleaving is supported if a symmetric memory configuration is installed. If <b>Disabled</b> , the system supports Non-Uniform Memory architecture (NUMA) (asymmetric) memory configurations. <b>NOTE:</b> The Node Interleaving field must be set to <b>Disabled</b> when using Mirror mode.

## Processor Settings Screen


Option	Description
64-bit	Specifies if the processor(s) support 64-bit extensions.
Core Speed	Displays the processor clock speed.
Bus Speed	Displays the processor bus speed.

<b>Option</b>	<b>Description</b>
Logical Processor ( <b>Enabled</b> default)	Each processor core supports up to two logical processors. If this field is set to <b>Enabled</b> , the BIOS reports both logical processors. If set to <b>Disabled</b> , only one logical processor is monitored by the BIOS.
Virtualization Technology ( <b>Disabled</b> default)	<b>Enabled</b> permits virtualization software to use the virtualization technology incorporated in the processor. <b>NOTE:</b> Disable this feature if your system will not be running virtualization software.
Adjacent Cache Line Prefetch ( <b>Enabled</b> default)	Enables high utilization of sequential memory access. <b>NOTE:</b> Disable this option for applications that require high utilization of random memory access.
Hardware Prefetcher ( <b>Enabled</b> default)	Enables or disables the hardware prefetcher.
Execute Disable ( <b>Enabled</b> default)	Enables or disables <b>Execute Disable Memory Protection Technology</b> .
Number of Cores per Processor ( <b>All</b> default)	If set to <b>All</b> , the maximum number of cores in each processor is enabled.
Turbo Mode ( <b>Enabled</b> default)	If Turbo Boost Technology is supported by the processor(s), enables or disables <b>Turbo Mode</b> .
C States ( <b>Enabled</b> default)	When set to <b>Enabled</b> , the processor(s) can operate in all available power states.
Processor 1 Family -Model-Stepping	Displays the family, model, and stepping of the selected processor.
Processor 2 Family -Model-Stepping	Displays the family, model, and stepping of the selected processor.

## SATA Settings Screen (Optional)

Option	Description
SATA controller (ATA Mode default)	<p>ATA Mode enables the integrated SATA controller. RAID Mode enables the integrated SATA controller to RAID mode. Off disables the controller.</p> <p><b>NOTE:</b> When set to RAID mode, all ports are set to OFF.</p>
Port A (Auto default)	Auto enables BIOS support for the device attached to SATA port A. Off disables BIOS support for the device.
Port B (Off default)	Auto enables BIOS support for the device attached to SATA port B. Off disables BIOS support for the device.
Port C (Off default)	Auto enables BIOS support for the device attached to SATA port C. Off disables BIOS support for the device.
Port D (Off default)	Auto enables BIOS support for the device attached to SATA port D. Off disables BIOS support for the device.
Port E (Off default)	Auto enables BIOS support for the device attached to SATA port E. Off disables BIOS support for the device.

## Boot Settings Screen

Option	Description
Boot Mode (BIOS default)	<p> <b>CAUTION: Switching the boot mode could prevent the system from booting if the operating system was not installed in the same boot mode.</b></p> <p>If the system operating system supports UEFI, you can set this option to UEFI. Setting this field to BIOS allows compatibility with non-UEFI operating systems.</p> <p><b>NOTE:</b> Setting this field to UEFI disables the <b>Boot Sequence</b>, <b>Hard-Disk Drive Sequence</b>, and <b>USB Flash Drive Emulation Type</b> fields.</p>
Boot Sequence	If <b>Boot Mode</b> is set to BIOS, this field indicates to the system the location of the operating system files needed for startup. If <b>Boot Mode</b> is set to UEFI, you can access the UEFI boot manager utility by rebooting the system and pressing F11 when prompted to do so.

<b>Option</b>	<b>Description</b>
Hard-Disk Drive Sequence	Determines the order in which the BIOS attempts to boot from hard drives in the system during system startup.
USB Flash Drive Emulation Type ( <b>Auto</b> default)	Determines the emulation type for a USB flash drive. <b>Hard disk</b> allows the USB flash drive to act as a hard drive. <b>Floppy</b> allows the USB flash drive to act as a removable diskette drive. <b>Auto</b> automatically chooses an emulation type.
Boot Sequence Retry ( <b>Disabled</b> default)	If this field is enabled and the system has failed to boot, the system reattempts to boot after 30 seconds.

## Integrated Devices Screen

<b>Option</b>	<b>Description</b>
Integrated SAS Controller ( <b>Enabled</b> default)	Enables or disables the integrated storage controller.
User Accessible USB Ports ( <b>All Ports On</b> default)	Enables or disables the user-accessible USB ports. Options are <b>All Ports On</b> , <b>Only Back Ports On</b> , and <b>All Ports Off</b> .
Internal USB Port 1 ( <b>On</b> default)	Enables or disables the internal USB port.
Internal USB Port 2 ( <b>On</b> default)	Enables or disables the internal USB port.
Embedded NIC1 and NIC2 ( <b>Enabled</b> default)	Enables or disables the OS interface of the two embedded NICs. (The NICs may also be accessed through the system's management controller.)
Embedded Gb NICx (NIC1 default: <b>Enabled with PXE</b> ; Other NICs: <b>Enabled</b> )	Enables or disables the embedded NICs. Options are <b>Enabled</b> , <b>Enabled with PXE</b> , and <b>Enabled with iSCSI Boot</b> . PXE support allows the system to boot from the network.
MAC Address	Displays the MAC address for the NIC.



Option	Description
OS Watchdog Timer (Disabled default)	<p>Sets a timer to monitor the operating system for activity, and aids in recovery if the system stops responding. When <b>Enabled</b>, the operating system is allowed to initialize the timer. When <b>Disabled</b>, the timer is not initialized.</p> <p><b>NOTE:</b> This feature is usable only with operating systems that support WDAT implementations of the Advanced Configuration and Power Interface (ACPI) 3.0b specification.</p>
I/OAT DMA Engine (Disabled default)	Enables or disables the I/O acceleration technology (I/OAT). This feature should only be enabled if the hardware and software support I/OAT.
Embedded Video Controller (Enabled default)	Displays the total amount of video memory available in the embedded video controller.

## PCI IRQ Assignments Screen

Option	Description
Embedded X-treme PCI Adapter	Use the <+> and <-> keys to manually select an IRQ for a given device, or select <b>Default</b> to allow the BIOS to select an IRQ value at system startup.

## Serial Communication Screen

Option	Description
Serial Communication (On without Console Redirection default)	<p>Selects whether the serial communication devices (Serial Device 1 and Serial Device 2) are enabled in BIOS. BIOS console redirection can also be enabled and the port address used can be specified.</p> <p>Options are <b>On without Console Redirection</b>, <b>On with Console Redirection via COM1</b>, <b>On with Console Redirection via COM2</b>, and <b>Off</b>.</p>



Option	Description
Serial Port Address (Serial Device 1=COM1, Serial Device 2=COM2 default)	Sets the serial port addresses for the two serial devices. <b>NOTE:</b> Only Serial Device 2 can be used for Serial Over LAN (SOL). To use console redirection by SOL, configure the same port address for console redirection and the serial device.
External Serial Connector (Serial Device1 default)	Specifies whether Serial Device 1, Serial Device 2, or Remote Access Device has access to the external serial connector. <b>NOTE:</b> Only Serial Device 2 can be used for Serial Over LAN (SOL). To use console redirection by SOL, configure the same port address for console redirection and the serial device.
Failsafe Baud Rate (115200 default)	Displays the failsafe baud rate used for console redirection. BIOS attempts to determine the baud rate automatically. This failsafe baud rate is used only if the attempt fails. This rate should not be adjusted.
Remote Terminal Type (VT100/VT220 default)	Sets the remote console terminal type, either VT100/VT220 or ANSI.
Redirection After Boot (Enabled default)	Enables or disables BIOS console redirection when the operating system is loaded.

## Power Management Screen

Option	Description
Power Management (Active Power Controller default)	<p>Options are <b>OS Control</b>, <b>Active Power Controller</b>, <b>Custom</b>, or <b>Maximum Performance</b>. For all but the <b>Custom</b> setting, the BIOS pre-configures the power settings on this screen as follows:</p> <ul style="list-style-type: none"><li>• <b>OS Control</b> sets the CPU power to <b>OS DBPM</b>, the fan power to <b>Minimum Power</b>, and the memory power to <b>Maximum Performance</b>. In this setting, all processor performance information is passed from the system BIOS to the operating system for control. The operating system sets the processor performance based on processor utilization.</li><li>• <b>Active Power Controller</b> sets the CPU power to <b>System DBPM</b>, the fan power to <b>Minimum Power</b>, and the memory power to <b>Maximum Performance</b>. The BIOS sets the processor performance based on processor utilization.</li><li>• <b>Maximum Performance</b> sets all fields to <b>Maximum Performance</b>.</li></ul>
CPU Power and Performance Management	Options are <b>OS DBPM</b> , <b>System DBPM</b> , <b>Maximum Performance</b> , or <b>Minimum Power</b> .
Fan Power and Performance Management	Options are <b>Maximum Performance</b> or <b>Minimum Power</b> .
Memory Power and Performance Management	Options are <b>Maximum Performance</b> , a specified frequency, or <b>Minimum Power</b> .

## System Security Screen

Option	Description
System Password	<p>Displays the current status of the password security feature and allows a new system password assignment and verification.</p> <p><b>NOTE:</b> See "Using the System Password" on page 56 for more information.</p>
Setup Password	<p>Restricts access to the System Setup program by using a setup password.</p> <p><b>NOTE:</b> See "Using the System Password" on page 56 for more information.</p>
Password Status (Unlocked default)	<p>When <b>Setup Password</b> is assigned and this field is <b>Locked</b>, the system password cannot be changed or disabled at system start-up.</p> <p>See "Using the System Password" on page 56 for more information.</p>
TPM Security (Off default)	<p>Sets the reporting of the Trusted Platform Module (TPM) in the system.</p> <p>If <b>Off</b>, the presence of the TPM is not reported to the operating system.</p> <p>If <b>On with Pre-boot Measurements</b>, the system reports the TPM to the operating system and stores the pre-boot measurements to the TPM during POST.</p> <p>If <b>On without Pre-boot Measurements</b>, the system reports the TPM to the operating system and bypasses pre-boot measurements.</p>
TPM Activation (No Change default)	<p>When set to <b>Activate</b>, the TPM is enabled to default settings. When set to <b>Deactivate</b>, the TPM is disabled. The <b>No Change</b> state initiates no action. The operational state of the TPM remains unchanged (all user settings for the TPM are preserved).</p> <p><b>NOTE:</b> This field is read-only when <b>TPM Security</b> is set to <b>Off</b>.</p>

Option	Description
TPM Clear (No default)	<p data-bbox="426 236 1002 384"> <b>CAUTION: Clearing the TPM loses all encryption keys in the TPM. This option prevents booting to the operating system and results in data loss if the encryption keys cannot be restored. Back up the TPM keys prior to enabling this option.</b></p> <p data-bbox="426 395 1002 421">When set to <b>Yes</b>, all TPM contents are cleared.</p> <p data-bbox="426 432 1002 491"><b>NOTE:</b> This field is read-only when <b>TPM Security</b> is set to <b>Off</b>.</p>
Power Button (Enabled default)	<p data-bbox="426 507 1002 624">If <b>Enabled</b>, the power button can turn the system's power off and on. On an ACPI-compliant operating system, the system performs an orderly shutdown before power is turned off.</p> <p data-bbox="426 635 1002 692">When <b>Disabled</b>, the button can only turn on system power.</p>
NMI Button (Disabled default)	<p data-bbox="426 708 1002 857"> <b>CAUTION: Use the NMI button only if directed to do so by qualified support personnel or by the operating system's documentation. Pressing this button halts the operating system and displays a diagnostic screen.</b></p> <p data-bbox="426 868 1002 893">Enables or disables the NMI feature.</p>
AC Power Recovery (Last default)	<p data-bbox="426 909 1002 1058">Determines how the system reacts when power is restored. If set to <b>Last</b>, the system returns to the last power state. <b>On</b> turns on the system after power is restored. <b>Off</b> allows the system to remain off after power is restored.</p>
AC Power Recovery Delay (Immediate default)	<p data-bbox="426 1074 1002 1190">Determines when the system restarts after power is restored. Options are <b>Immediate</b> (no delay), <b>Random</b> (between 30 to 240 seconds for iDRAC, or 45 to 240 seconds for BMC), or <b>User Defined</b>.</p>
User Defined Delay	<p data-bbox="426 1206 1002 1238">Determines the user defined AC Recovery Delay.</p>

## Exit Screen

Press <Esc> to exit the System Setup program; the **Exit** screen displays:

- Save Changes and Exit
- Discard Changes and Exit
- Return to Setup

## Entering the UEFI Boot Manager



**NOTE:** Operating systems must be 64-bit UEFI-compatible (for example, Microsoft® Windows Storage Server® 2012 R2 version) to be installed from the UEFI boot mode. DOS and 32-bit operating systems can only be installed from the BIOS boot mode.



**NOTE:** The Boot Mode must be set to **UEFI** in the System Setup program to access the UEFI Boot Manager.

The UEFI Boot Manager enables you to:

- Add, delete, and arrange boot options
  - Access the System Setup program and BIOS-level boot options without rebooting
- 1 Turn on or restart your system.
  - 2 Press <F11> after you see the following message:

<F11> = UEFI Boot Manager



**NOTE:** The system does not respond until the USB keyboard is active.

If your operating system begins to load before you press <F11>, allow the system to finish booting, and then restart your system and try again.

## Using the UEFI Boot Manager Navigation Keys

Keys	Action
Up arrow	Moves to and highlights the previous field.
Down arrow	Moves to and highlights the next field.
Spacebar, <Enter>, <+>, <->	Cycles through the settings in a field.

Keys	Action
<Esc>	Refreshes the UEFI Boot Manager screen (page one) or returns to the previous screen.
<F1>	Displays the UEFI Boot Manager help file.

## UEFI Boot Manager Screen

Option	Description
Continue	The system attempts to boot to devices starting with the first item in the boot order. If the boot attempt fails, the system continues with the next item in the boot order until the boot is successful or no more boot options are found.
<Boot options>	Displays the list of available boot options (marked with asterisks). Select the boot option you wish to use and press <Enter>. <p><b>NOTE:</b> If you hot-swap a boot device, press &lt;ESC&gt; to refresh the list of boot options.</p>
UEFI Boot Settings	Enables you to add, delete, enable, or disable boot options; change boot order; or execute a one-time boot option.
System Utilities	Enables you to access the System Setup program, System Services (USC), Diagnostics, and BIOS-level boot options.

## UEFI Boot Settings Screen

Option	Description
Add Boot Option	Adds a new boot option.
Delete Boot Option	Deletes an existing boot option.
Enable/Disable Boot Option	Disables and enables an option in the boot option list.
Change Boot Order	Changes the order of the boot option list.
One-Time Boot from File	Sets a one-time boot option not included in the boot option list.

## System Utilities Screen

Option	Description
System Setup	Accesses the System Setup program without rebooting.
System Services	Restarts the system and accesses the controller, which enables you to run utilities such as system diagnostics.
BIOS Boot Manager	Accesses the BIOS-level boot options list without rebooting. This option enables you to conveniently switch to BIOS boot mode if you need to boot to a device with a non-UEFI operating system, such as a bootable DOS media with diagnostics software.
Reboot System	Restarts the system.

## System and Setup Password Features



**NOTE:** For a forgotten password, see "Disabling a Forgotten Password" on page 154.

Your system is shipped without the system password feature enabled in BIOS.



**CAUTION:** The password features provide a basic level of security for the data on your system. Anyone can access the data stored on your system if the system is running and unattended.

### Using the System Password

When a system password is assigned, the system prompts for the system password after the system starts and only those with the password have full use of the system.

### Assigning a System Password

Before assigning a system password, enter the System Setup program and check the **System Password** option.

When a system password is assigned, **System Password is Enabled**.

If **Password Status** is **Unlocked**, you can change the system password.

If **Locked**, you cannot change the system password. Disabling the password jumper on the system board sets **System Password** to **Disabled**, and you cannot change or enter a new system password.




When a system password is not assigned and the password jumper on the system board is in the enabled position, **System Password** is **Not Enabled** and **Password Status** is **Unlocked**. To assign a system password:

- 1 Verify that **Password Status** is **Unlocked**.
- 2 Highlight the **System Password** option and press <Enter>.
- 3 Type your new system password.


You can use up to 32 characters in your password.

As you type, placeholders appear in the field.


The password assignment is not case-sensitive. To erase a character, press <Backspace> or the left-arrow key.

 **NOTE:** To escape from the field without assigning a system password, press <Enter> to move to another field, or press <Esc> prior to completing step 5.

- 4 Press <Enter>.
- 5 To confirm your password, type it a second time and press <Enter>.  
**System Password** changes to **Enabled**. Exit the System Setup program and begin using your system.
- 6 Either reboot the system now for the password protection to take effect or continue working.

 **NOTE:** Password protection does not take effect until the system reboots.

### Using Your System Password to Secure Your System

 **NOTE:** If you have assigned a setup password (see "Using the Setup Password" on page 58), the system accepts your setup password as an alternate system password.

When **Password Status** is **Unlocked**, you have the option to leave the password security enabled or to disable password security.

To leave the password security enabled:

- 1 Turn on or reboot your system by pressing <Ctrl> <Alt> <Delete>.
- 2 Type your password and press <Enter>.

To disable the password security:

- 1 Turn on or reboot your system by pressing <Ctrl> <Alt> <Delete>.
- 2 Type your password and press <Ctrl> <Enter>.

When **Password Status** is **Locked**, you must type the password and press <Enter> when prompted at reboot.

If an incorrect system password is entered, the system displays a message and prompts you to re-enter your password. You have three attempts to enter the correct password. After the third unsuccessful attempt, the system displays an error message that the system has halted and must be shut down manually using the power button.

Even after you shut down and restart the system, the error message continues to be displayed until the correct password is entered.



**NOTE:** You can use the **Password Status** option in conjunction with the **System Password** and **Setup Password** options to protect your system from unauthorized changes.

### Disabling the System Password

If the system password is already set, you can disable it by typing the password during POST and pressing <Ctrl><Enter> or you can enter the system setup and press <Enter> twice when you are in the system password menu.

### Changing an Existing System Password


- 1 Enter the System Setup program by pressing <F2> during POST.
- 2 Select the System Security screen.
- 3 Verify that the **Password Status** is **Unlocked**.
- 4 Type the new system password in the two password fields.

The **System Password** field changes to **Not Enabled** if the password was deleted.

### Using the Setup Password

#### Assigning a Setup Password

You can assign a setup password only when the **Setup Password** is **Not Enabled**. To assign a setup password, highlight the **Setup Password** option and press the <+> or <-> key. The system prompts you to enter and verify the password.

 **NOTE:** The setup password can be the same as the system password. If the two passwords are different, the setup password can be used as an alternate system password. The system password cannot be used in place of the setup password.

You can use up to 32 characters in your password.

As you type, placeholders appear in the field.

The password assignment is not case-sensitive. To erase a character, press <Backspace> or the left-arrow key.


When you verify the password, the **Setup Password** changes to **Enabled**. The next time you enter the System Setup program, the system prompts you for the setup password.

A change to the **Setup Password** option becomes effective immediately (restarting the system is not required).

### **Operating With a Setup Password Enabled**

If **Setup Password** is **Enabled**, you must enter the correct setup password before modifying most of the System Setup options.

If you do not enter the correct password in three attempts, the system lets you view, but not modify, the System Setup screens. The following options are exceptions: If **System Password** is not **Enabled** and is not locked through the **Password Status** option, you can assign a system password. You cannot disable or change an existing system password.

 **NOTE:** You can use the **Password Status** option in conjunction with the **Setup Password** option to protect the system password from unauthorized changes.

### **Deleting or Changing an Existing Setup Password**

- 1** Enter the System Setup program and select the **System Security**.
- 2** Highlight **Setup Password**, press <Enter> to access the setup password window. Press <Enter> twice to clear the existing setup password.  
The setting changes to **Not Enabled**.
- 3** If you want to assign a new setup password, perform the steps in "Assigning a Setup Password" on page 58.

# Embedded System Management

The Lifecycle Controller is an embedded utility that enables systems management tasks from an embedded environment throughout the server's lifecycle.

The controller can be started during the boot sequence and can function independently of the operating system.



**NOTE:** Certain platform configurations may not support the full set of features provided by the controller.

The following features of the Lifecycle Controller are supported on systems with Baseboard Management Controller (BMC):

- Installing an operating system
- Running diagnostics to validate the memory, I/O devices, processors, physical disks, and other peripherals

When an iDRAC6 Express card is installed, the controller provides the following additional features:

- Downloading and applying firmware updates
- Configuring hardware and firmware

For more information about setting up the controller, configuring hardware and firmware, and deploying the operating system, see the *Lifecycle Controller User Guide* on the Dell Support website at [dell.com/support](http://dell.com/support).

## iDRAC Configuration Utility

The iDRAC Configuration Utility is a pre-boot configuration environment that allows you to view and set parameters for the iDRAC6 and for the managed server. The iDRAC Configuration Utility enables you to:

- Configure, enable, or disable the iDRAC6 local area network (LAN) through the dedicated iDRAC6 Enterprise card port or the embedded NICs.
- Enable or disable IPMI over LAN.
- Enable a LAN Platform Event Trap (PET) destination.
- Attach or detach the Virtual Media devices.

- Change the administrative username and password and manage user privileges.
- View System Event Log (SEL) messages or clear messages from the log.

For additional information on using iDRAC6, see the documentation for iDRAC6 and systems management applications.

## **Entering the iDRAC Configuration Utility**

- 1** Turn on or restart your system.
- 2** Press <Ctrl> <E> when prompted during POST.

If your operating system begins to load before you press <Ctrl> <E>, allow the system to finish booting, restart your system and try again.




# Installing System Components

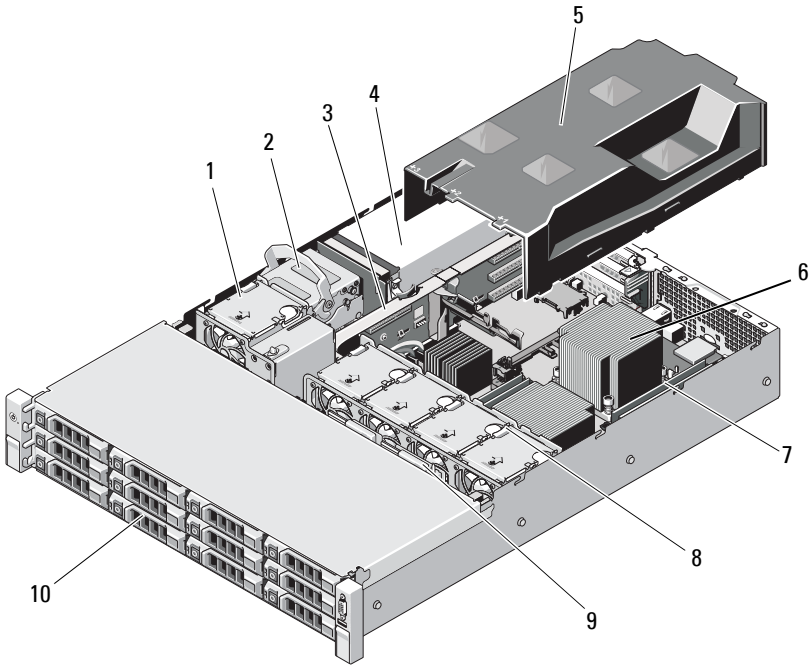
## Recommended Tools

- Key to the system keylock
- #1 and #2 Phillips screwdrivers
- T10 Torx screwdriver
- Wrist grounding strap

## Inside the System

 **CAUTION: Many repairs may only be done by a certified service technician. You should only perform troubleshooting and simple repairs as authorized in your product documentation, or as directed by the online or telephone service and support team. Damage due to servicing that is not authorized by Dell is not covered by your warranty. Read and follow the safety instructions that came with the product.**

**Figure 3-1. Inside the System**



- |   |                      |    |                          |
|---|----------------------|----|--------------------------|
| 1 | cooling fan          | 2  | internal hard drives (2) |
| 3 | expansion-card riser | 4  | power supply bays (2)    |
| 5 | cooling shroud       | 6  | heat sink/processor (2)  |
| 7 | memory modules (8)   | 8  | system cooling fans (4)  |
| 9 | SAS backplane        | 10 | hard drives (12)         |

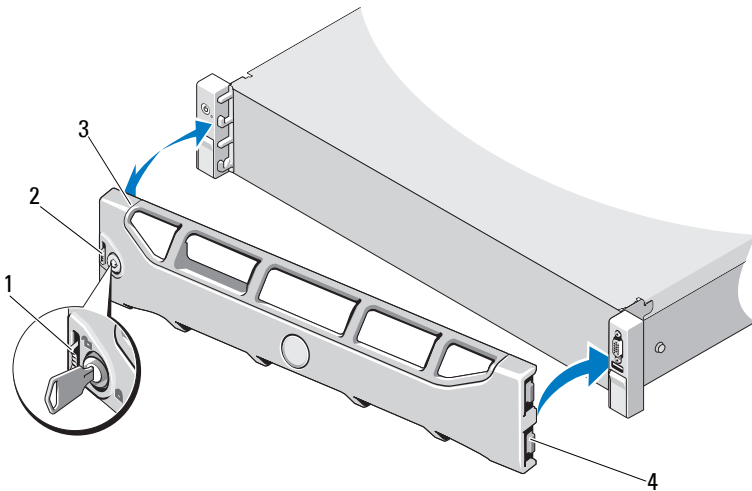


# Front Bezel (Optional)

## Removing the Front Bezel

- 1 Using the system key, unlock the bezel.
- 2 Lift the release latch next to the key lock.
- 3 Rotate the left end of the bezel away from the front panel.
- 4 Unhook the right end of the bezel and pull the bezel away from the system.

**Figure 3-2. Removing and Installing the Front Bezel**



- 1 release latch
- 3 bezel

- 2 keylock
- 4 hinge tab

## Installing the Front Bezel

- 1 Hook the right end of the bezel onto the chassis.
- 2 Fit the free end of the bezel onto the system.
- 3 Secure the bezel with the keylock. See Figure 3-2.

## Opening and Closing the System



**WARNING:** Whenever you need to lift the system, get others to assist you. To avoid injury, do not attempt to lift the system by yourself.

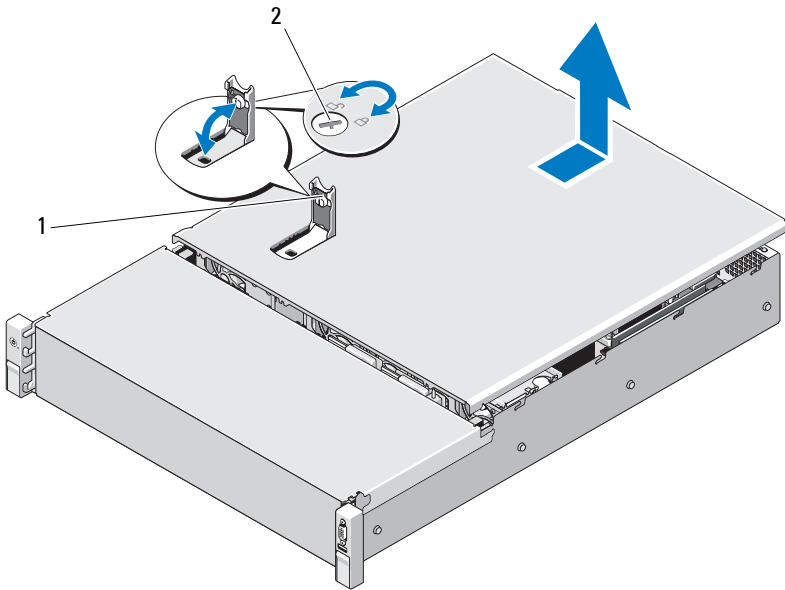


**CAUTION:** Many repairs may only be done by a certified service technician. You should only perform troubleshooting and simple repairs as authorized in your product documentation, or as directed by the online or telephone service and support team. Damage due to servicing that is not authorized by Dell is not covered by your warranty. Read and follow the safety instructions that came with the product.

### Opening the System

- 1 Turn off the system and attached peripherals, and disconnect the system from the electrical outlet and peripherals.
- 2 Rotate the latch release lock on the system cover counter clockwise to the unlocked position. See Figure 3-3.
- 3 Lift the latch on top of the system and slide the cover back.
- 4 Grasp the cover on both sides and lift the cover away from the system. See Figure 3-3.

**Figure 3-3. Removing and Replacing the System Cover**



1 system cover latch

2 latch release lock

### **Closing the System**

- 1 Lift the latch on the system cover.
- 2 Place the cover onto the chassis and offset it slightly back so that the two hooks on the back edge of the cover fit the corresponding tabs on the back edge of the chassis. See Figure 3-3.
- 3 Slide the cover towards the front of the chassis and press down the latch.
- 4 Rotate the latch release lock in the clockwise direction to secure the cover.
- 5 Reconnect the system and peripherals to their electrical outlets, and turn on the system.

# Cooling Shroud

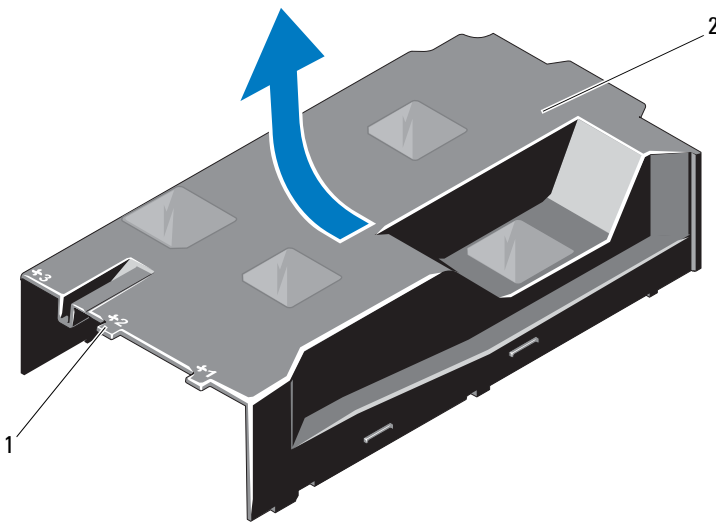
A cooling shroud directs airflow from the cooling fans over the system processor(s) and memory module(s).

## Removing the Cooling Shroud

**△ CAUTION: Many repairs may only be done by a certified service technician. You should only perform troubleshooting and simple repairs as authorized in your product documentation, or as directed by the online or telephone service and support team. Damage due to servicing that is not authorized by Dell is not covered by your warranty. Read and follow the safety instructions that came with the product.**

- 1 Open the system. See "Opening the System" on page 66.
- 2 Grasp and gently lift the shroud up and away from the system board. See Figure 3-4.


**Figure 3-4. Installing and Removing the Cooling Shroud**



1 numbered fan bays

2 cooling shroud

## Installing the Cooling Shroud

 **CAUTION:** Many repairs may only be done by a certified service technician. You should only perform troubleshooting and simple repairs as authorized in your product documentation, or as directed by the online or telephone service and support team. Damage due to servicing that is not authorized by Dell is not covered by your warranty. Read and follow the safety instructions that came with the product.

- 1 Align the shroud using the center of the numbered fan bays as a guide.
- 2 Press the cooling shroud down into the chassis.
- 3 Close the system. See "Closing the System" on page 67.
- 4 Reconnect the system to its electrical outlet and turn the system on, including any attached peripherals.

## Hard Drives

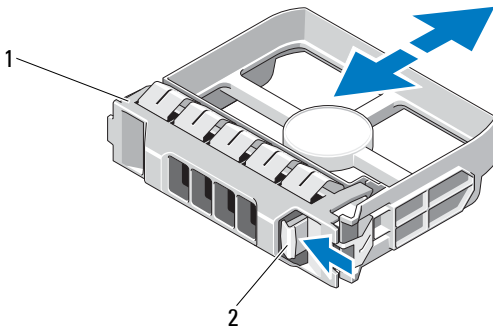
Your system supports 3.5-inch (SAS or SATA) hard drives in 3.5-inch hot-swap hard drive carrier. The hard drives are installed at the front of the system (see Figure 3-1). Front-mounted hard drives are connected to a SAS backplane through hard-drive carriers and can be configured as hot-swappable.

### Removing a Hard-Drive Blank

 **CAUTION:** To maintain proper system cooling, all empty hard-drive bays must have drive blanks installed.

- 1 If installed, remove the front bezel. See "Removing the Front Bezel" on page 65.
- 2 Grasp the front of the hard-drive blank, press the release lever on the right side, and slide the blank out until it is free of the drive bay. See Figure 3-5.

**Figure 3-5. Removing and Installing a Hard-Drive Blank**



1 hard-drive blank

2 release lever

### **Installing a Hard-Drive Blank**

Align the hard-drive blank with the drive bay and insert the blank into the drive bay until the release lever clicks into place. See Figure 3-5.

### **Removing a Hot-Swap Hard Drive**

- 1 If applicable, remove the front bezel. See "Removing the Front Bezel" on page 65.
- 2 Using the RAID management software, prepare the drive for removal. Wait until the hard-drive indicators on the drive carrier signal that the drive can be removed safely. See "Hard-Drive Indicator Patterns" on page 15.

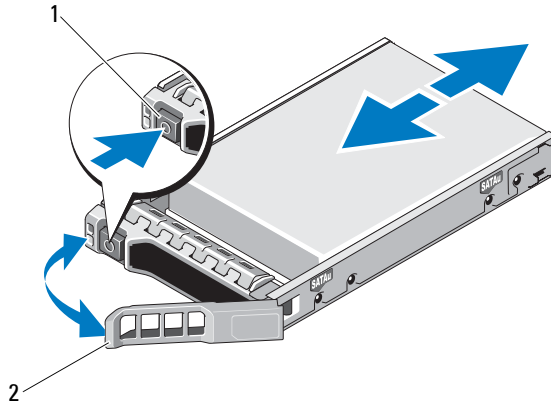
If the drive has been online, the green activity/fault indicator flashes as the drive is powered down. When the drive indicators are off, the drive is ready for removal.

- 3 Press the release button and open the drive carrier release handle to release the drive. See Figure 3-6.
- 4 Slide the hard drive out of the drive bay.
- 5 Insert a drive blank in the vacated drive bay. See "Installing a Hard-Drive Blank" on page 70.



**CAUTION: To maintain proper system cooling, all empty hard-drive bays must have hard-drive blanks installed.**

**Figure 3-6. Removing and Installing a Hot-Swap Hard Drive**



1 release button

2 hard-drive carrier handle

### Installing a Hot-Swap Hard Drive

△ **CAUTION:** Use only hard drives that have been tested and approved for use with the SAS/SATA backplane.

△ **CAUTION:** When installing a hard drive, ensure that the adjacent drives are fully installed. Inserting a hard-drive carrier and attempting to lock its handle next to a partially installed carrier can damage the partially installed carrier's shield spring and make it unusable.

△ **CAUTION:** To prevent data loss, ensure that your operating system supports hot-swap drive installation. See the documentation supplied with the operating system.

△ **CAUTION:** Combining SATA and SAS hard drives in the same system configuration is not supported on all configurations.

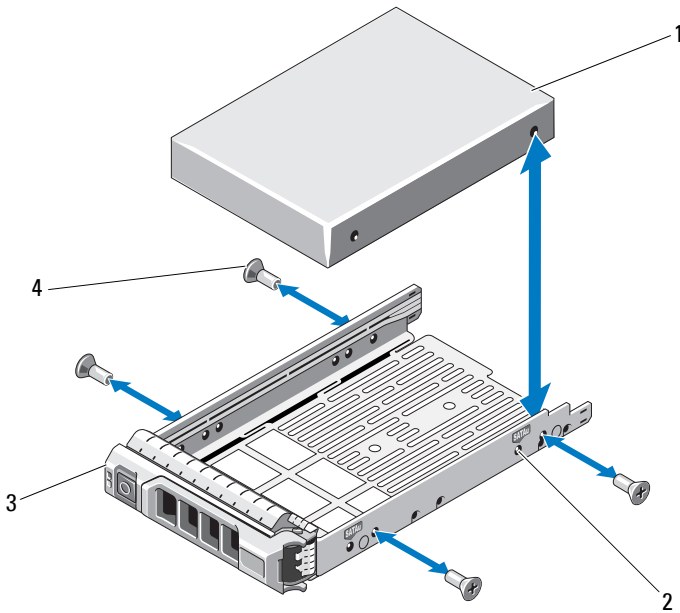
- 1 If installed, remove the front bezel. See "Removing the Front Bezel" on page 65.
- 2 If a drive blank is present in the bay, remove it. See "Removing a Hard-Drive Blank" on page 69.
- 3 Press the button on the front of the drive carrier.

- 4 With the lever on the hard drive carrier open, slide the hard drive into the drive bay until the carrier contacts the backplane. See Figure 3-6.
- 5 Close the handle to lock the drive in place.

### Removing a Hard Drive From a Hard-Drive Carrier

Remove the screws from the slide rails on the hard-drive carrier and separate the hard drive from the carrier. See Figure 3-7.

**Figure 3-7. Installing a Hot-Swap Hard Drive Into a Drive Carrier**



- |   |               |   |                    |
|---|---------------|---|--------------------|
| 1 | hard drive    | 2 | SAS/SATA indicator |
| 3 | drive carrier | 4 | screws (4)         |



## Installing a Hard Drive Into a Hard-Drive Carrier

- 1 Insert the hard drive into the hard-drive carrier with the connector end of the drive at the back. See Figure 3-7.
- 2 Align the holes on the hard drive with the holes on the hard drive carrier. When aligned correctly, the back of the hard drive is flush with the back of the hard-drive carrier.
- 3 Attach the four screws to secure the hard drive to the hard-drive carrier.

## Internal Hard Drives

Your system supports two cabled 2.5-inch (SAS or SATA) internal hard drives. Internal hard drives are connected to the SAS backplane. By default, the operating system is installed on the internal hard drives in a RAID 1 configuration. For information on RAID configuration, see the RAID documentation on [dell.com/support](http://dell.com/support).

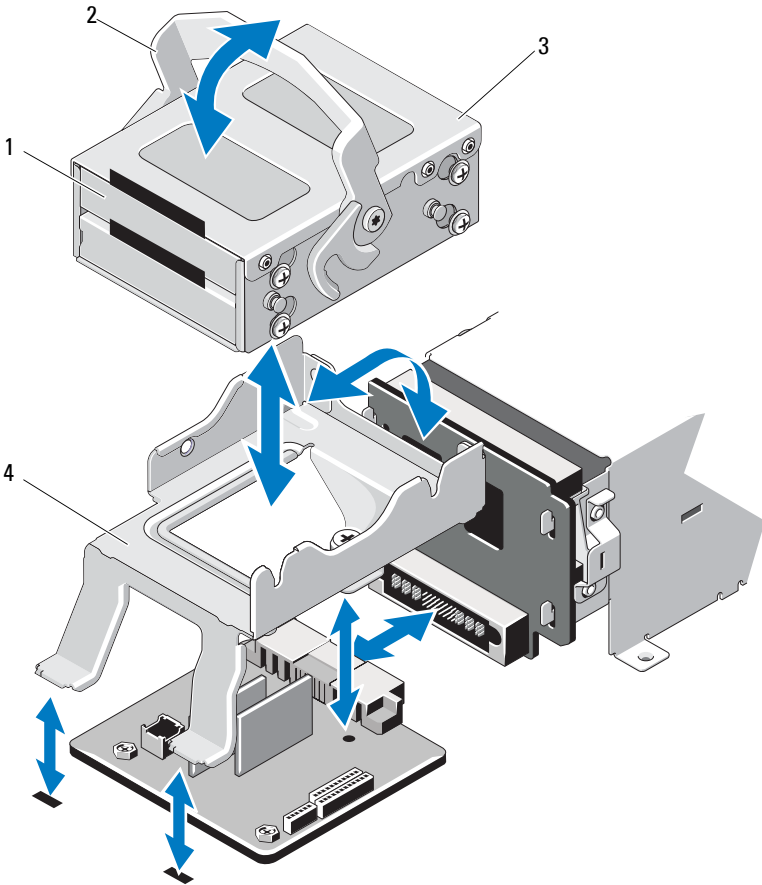
## Removing an Internal Hard Drive Bay



**CAUTION: Many repairs may only be done by a certified service technician. You should only perform troubleshooting and simple repairs as authorized in your product documentation, or as directed by the online or telephone service and support team. Damage due to servicing that is not authorized by Dell is not covered by your warranty. Read and follow the safety instructions that came with the product.**

- 1 Turn off the system and attached peripherals, and disconnect the system from the electrical outlet and from the peripherals.
- 2 Open the system. See "Opening the System" on page 66.
- 3 Lift the latch on your internal hard drive bay and lift it out of the system. See Figure 3-8.

**Figure 3-8. Installing and Removing an Internal Hard Drive Bay**



1 internal hard drives (2)

2 release latch

3 internal hard drive bay

4 support bracket

## Installing an Internal Hard Drive Bay



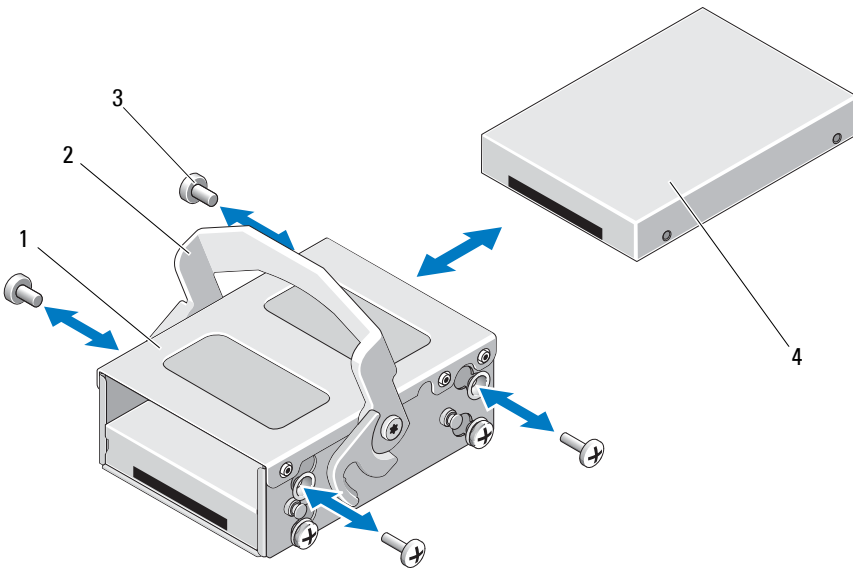
**CAUTION: Many repairs may only be done by a certified service technician. You should only perform troubleshooting and simple repairs as authorized in your product documentation, or as directed by the online or telephone service and support team. Damage due to servicing that is not authorized by Dell is not covered by your warranty. Read and follow the safety instructions that came with the product.**

- 1** Turn off the system and attached peripherals, and disconnect the system from the electrical outlet and from the peripherals.
- 2** Open the system. See "Opening the System" on page 66.
- 3** Lift the latch on your internal hard drive bay and align the bay on the support bracket.
- 4** Rotate the latch to lock.

## Removing an Internal Hard Drive From the Internal Hard-Drive Bay

Remove the screws on the sides of the internal hard-drive bay and slide out the hard drive. See Figure 3-9.

**Figure 3-9. Installing and Removing an Internal Hard Drive From the Internal Hard-Drive Bay**



1 internal hard drive bay

2 release latch

3 screws (4) \*

4 internal hard drive

\*Screws are supplied along with the hard drives ordered from Dell.

## Installing a Hard Drive Into a Hard-Drive Bay

- 1 Insert the hard drive into the internal hard-drive bay with the connector end of the drive at the back, until it is flush with the back of the hard-drive bay. See Figure 3-9.
- 2 Attach the four screws to secure the hard drive to the hard-drive bracket.

## Cooling Fans

Your system contains four cooling fans, single- or dual-motor depending on your system configuration. These provide cooling for the processor, PCI cards, and memory modules. Systems with redundant power supplies also contain one single-motor fan to provide cooling for the power supplies.



**NOTE:** Hot-swap removal or installation of the cooling fans is not supported.



**NOTE:** In the event of a problem with a particular fan, the fan number is referenced by the system's management software, allowing you to easily identify and replace the proper fan by noting the fan numbers on the fan assembly.

### Removing a Cooling Fan



**WARNING:** The cooling fan can continue to spin for some time after the system has been powered down. Allow time for the fan to stop spinning before removing it from the system.



**WARNING:** Do not attempt to operate the system without the cooling fans.



**CAUTION:** Many repairs may only be done by a certified service technician. You should only perform troubleshooting and simple repairs as authorized in your product documentation, or as directed by the online or telephone service and support team. Damage due to servicing that is not authorized by Dell is not covered by your warranty. Read and follow the safety instructions that came with the product.

- 1 Turn off the system, including any attached peripherals, and disconnect the system from its electrical outlet.
- 2 Open the system. See "Opening the System" on page 66.
- 3 If applicable, remove the cooling shroud. See "Removing the Cooling Shroud" on page 68.
- 4 Disconnect the fan's power cable from the system board. See Figure 3-10.



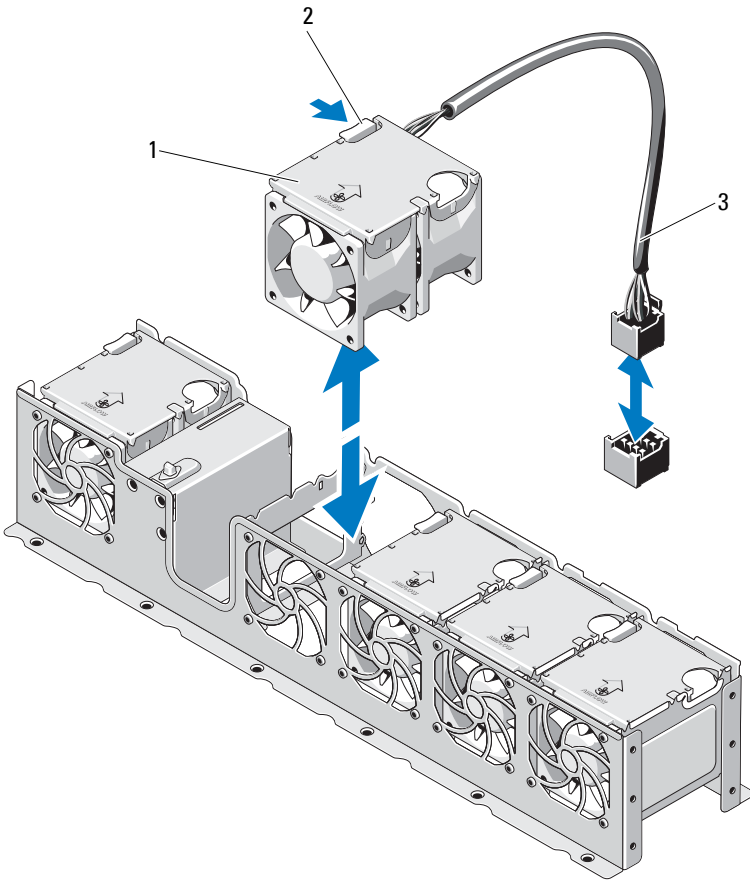
**NOTE:** To remove fans 3 and 4, remove the storage controller card first. See "Removing the Storage Controller Card" on page 98.



**NOTE:** To remove fan 5, remove the internal hard drive bay and carrier. See "Removing an Internal Hard Drive Bay" on page 73.

- 5 Press the release tab while grasping the ends of the fan and lift the fan straight up from the fan bracket. See Figure 3-10.

**Figure 3-10. Removing and Installing a Fan**



- 1 fans (5)
- 3 fan cable

- 2 release tab

## Replacing a Cooling Fan



**CAUTION:** Many repairs may only be done by a certified service technician. You should only perform troubleshooting and simple repairs as authorized in your product documentation, or as directed by the online or telephone service and support team. Damage due to servicing that is not authorized by Dell is not covered by your warranty. Read and follow the safety instructions that came with the product.

- 1 Align the fan module so that the side with the power cable faces toward the back of the system.
- 2 Slide the fan module into the fan assembly until the fan is fully seated. See Figure 3-10 and Figure 3-10.
- 3 Connect the fan's power cable to the power connector on the system board.
- 4 Route the power cable through the guides on the chassis.



**NOTE:** First replace the internal hard-drive carrier and bay. See "Installing an Internal Hard Drive Bay" on page 75.

- 5 Replace the cooling shroud. See "Installing the Cooling Shroud" on page 69.
- 6 Close the system. See "Closing the System" on page 67.
- 7 Reconnect the system to its electrical outlet and turn the system on, including any attached peripherals.

## Power Supplies

Your system supports 750 W/1100 W redundant power supplies.




**NOTE:** The maximum output power (shown in watts) is listed on the power supply label.


If two power supplies are installed, the second power supply provides hot-swappable, power redundancy. In redundant mode, the system distributes the power load across both power supplies to maximize efficiency. When a power supply is removed with the system powered on, the full power load is picked up by the remaining power supply.




**CAUTION:** To ensure proper system cooling, the power supply blank must be installed in the PS2 bay in a redundant configuration. See "Installing the Power Supply Blank" on page 82.


 **NOTE:** If only one power supply is installed, it must be installed in the PS1 power supply bay.

## Removing a Redundant Power Supply


 **CAUTION:** Many repairs may only be done by a certified service technician. You should only perform troubleshooting and simple repairs as authorized in your product documentation, or as directed by the online or telephone service and support team. Damage due to servicing that is not authorized by Dell is not covered by your warranty. Read and follow the safety instructions that came with the product.

 **CAUTION:** The system requires one power supply to operate the system normally. On power-redundant systems, remove and replace only one power supply at a time in a system that is powered on.

- 1 Disconnect the power cable from the power source.
- 2 Disconnect the power cable from the power supply and remove the system cables from the Velcro straps.

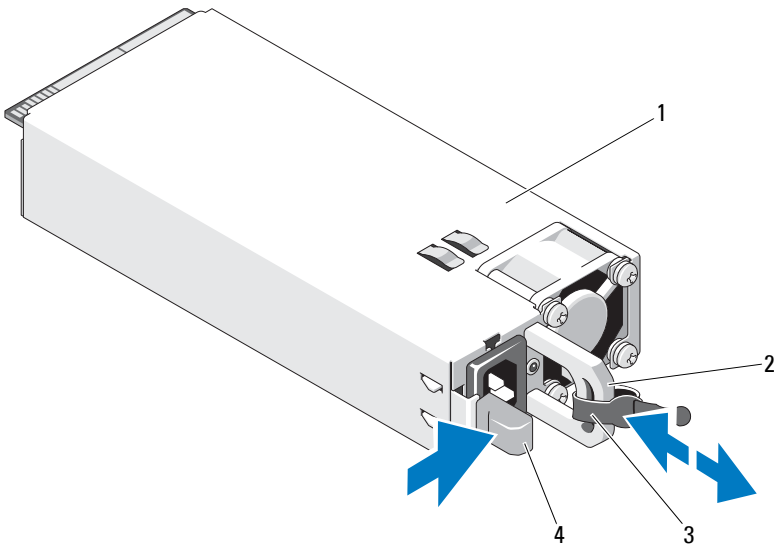
 **NOTE:** You may have to unlatch and lift the optional cable management arm if it interferes with power-supply removal. For information about the cable management arm, see the system's rack documentation.

- 3 Press the lever release latch and slide the power supply out of the chassis. See Figure 3-11.

 **NOTE:** Install a power supply blank if you are not replacing the power supply. See "Installing the Power Supply Blank" on page 82.




**Figure 3-11. Removing and Installing a Redundant Power Supply**




- |   |              |   |                     |
|---|--------------|---|---------------------|
| 1 | power supply | 2 | power supply handle |
| 3 | velcro strap | 4 | release latch       |

### Installing a Redundant Power Supply

- 1 Verify that both power supplies are of the same type and have the same maximum output power.


 **NOTE:** The maximum output power (shown in watts) is listed on the power supply label.

- 2 Slide the new power supply into the chassis until the power supply is fully seated and the release latch snaps into place. See Figure 3-11.

 **NOTE:** If you unlatched the cable management arm in step 2 of the previous procedure, relatch it. For information about the cable management arm, see the system's rack documentation.

- 3 Connect the power cable to the power supply and plug the cable into a power outlet.

 **CAUTION:** When connecting the power cable, secure the cable with the Velcro strap.


 **NOTE:** When installing, hot-swapping, or hot-adding a new power supply in a system with two power supplies, allow several seconds for the system to recognize the power supply and determine its status. The power-supply status indicator turns green to signify that the power supply is functioning properly (see Figure 1-5).

## Removing the Power Supply Blank

If you are installing a second power supply, remove the power supply blank in bay PS2 by pulling outward on the blank.

 **CAUTION:** To ensure proper system cooling, the power supply blank must be installed in power supply bay PS2 in a redundant configuration. Remove the power supply blank only if you are installing a second power supply.

## Installing the Power Supply Blank

 **NOTE:** Install the power supply blank only in power supply bay PS2.

To install the power supply blank, align the blank with the power supply bay and insert the blank into the chassis until it clicks into place.

## System Memory

Your system supports DDR3 registered DIMMs (RDIMMs) or unbuffered ECC DIMMs (UDIMMs). Single and dual-rank DIMMs can be 1067- or 1333-MHz, and quad-rank DIMMs can be 1067-MHz.

The system contains eight memory sockets split into two sets of four sockets, one set per processor. Each four-socket set is organized into three channels. Two DIMMs for channel 0 and a single DIMM for channel 1 and 2. The first socket of each channel is marked with white release levers.

The maximum memory that is supported on your system varies according to the types and sizes of memory modules being used:

- Single-rank, dual-rank, and quad-rank RDIMMs of sizes 1-GB, 2-GB, 4-GB, 8-GB, and 16-GB are supported for a total of up to 128 GB.
- 1-GB and 2-GB UDIMMs are supported for a total of up to 16 GB.

## General Memory Module Installation Guidelines

To ensure optimal performance of your system, observe the following general guidelines when configuring your system memory.



**NOTE:** Memory configurations that fail to observe these guidelines can prevent your system from starting and producing any video output.

- RDIMMs and UDIMMs cannot be mixed.
- Except for memory channels that are unused, all populated memory channels must have identical configurations.
- The memory configuration for each processor must be identical.
- Memory modules of different sizes can be mixed in A1-A4 or B1-B4 (for example, 2 GB and 4 GB), but all populated channels must have identical configurations.
- For Optimizer Mode, memory modules are installed in the numeric order of the sockets beginning with A1 or B1.
- For Memory Mirroring or Advanced ECC Mode, the channel furthest from the processor is unused and memory modules are installed beginning with channel A1 or B1 and proceeding with channel A2 or B2.
- Advanced ECC Mode requires memory modules that use x4 or x8 DRAM device widths.
- The memory speed of each channel depends on the memory configuration:
  - For single or dual-rank memory modules:
    - One memory module per channel supports up to 1333 MHz.
    - Two memory modules per channel supports up to 1067 MHz.
  - For quad-rank memory modules:
    - One memory module per channel supports up to 1067 MHz.
    - Two memory modules per channel are limited to 800 MHz, regardless of memory module speed.
- If quad-rank memory modules are mixed with single- or dual-rank modules, the quad-rank modules must be installed in the sockets with the white release levers.
- If memory modules with different speeds are installed, they operate at the speed of the slowest installed memory module(s).

## Mode-Specific Guidelines

Three memory channels are allocated to each processor. The number of channels used and the allowable configurations depend on the memory mode selected.

### Advanced ECC (Lockstep) Mode Support

In this configuration, the two channels closest to the processor are combined to form one 128-bit channel. This mode supports Single Device Data Correction (SDDC) for both x4- and x8-based memory modules. Memory modules must be identical in size, speed, and technology in corresponding slots.

### Memory Mirroring Support

The system supports memory mirroring if identical memory modules are installed in the two channels closest to the processor (memory should not be installed in the farthest channel). Mirroring must be enabled in the System Setup program. In a mirrored configuration, the total available system memory is one-half of the total installed physical memory.

### Optimizer (Independent Channel) Mode

In this mode, all three channels are populated with identical memory modules. This mode permits a larger total memory capacity but does not support SDDC with x8-based memory modules.

A minimal single-channel configuration of one 1 GB memory module per processor is also supported in this mode.

Table 3-1 and Table 3-2 show sample memory configurations that follow the appropriate memory guidelines stated in this section. The samples show identical memory-module configurations and their the physical and available memory totals. The tables do not show mixed or quad-rank memory-module configurations, nor do they address the memory speed considerations of any configuration.

**Table 3-1. Sample RDIMM Single- and Dual-Rank Memory Configurations (Per Processor)**

Memory Mode	Memory Module Size	Memory Sockets				Single Processor		Dual Processor	
		4	1	2	3	Physical Memory (GB)	Available Memory (GB)	Physical Memory (GB)	Available Memory (GB)
Optimizer	1 GB		X			1	all	2	all
			X	X		2		4	
			X	X	X	3		6	
		X	X	X	X	4		8	
	2 GB		X			2	all	4	all
			X	X		4		8	
		X	X	X	6	12			
X		X	X	X	8	16			
4 GB		X			4	all	8	all	
		X	X		8		16		
		X	X	X	12		24		
	X	X	X	X	16		32		
8 GB		X			8	all	16	all	
		X	X		16		32		
		X	X	X	24		48		
	X	X	X	X	32		64		
Advanced ECC <sup>1</sup>	2 GB		X	X		4	all	8	all
			X	X		8		16	
			X	X		16		32	
			X	X		32		64	

**Table 3-1. Sample RDIMM Single- and Dual-Rank Memory Configurations (Per Processor) (continued)**

Memory Mode	Memory Module Size	Memory Sockets				Single Processor		Dual Processor	
		4	1	2	3	Physical Memory (GB)	Available Memory (GB)	Physical Memory (GB)	Available Memory (GB)
Mirroring	2 GB		X	X		4	2	8	4
	4 GB		X	X		8	4	16	8
	8 GB		X	X		16	8	32	16
	16 GB		X	X		32	16	64	32

1. Requires x4- or x8-based memory modules.

**Table 3-2. Sample UDIMM Memory Configurations (Per Processor)**

Memory Mode	Memory Module Size	Memory Sockets				Single Processor		Dual Processor	
		4	1	2	3	Physical Memory (GB)	Available Memory (GB)	Physical Memory (GB)	Available Memory (GB)
Optimizer	1 GB		X			1	all	2	all
			X	X		2		4	
			X	X	X	3		6	
		X	X	X	X	4		8	
	2 GB		X			2	all	4	all
			X	X		4		8	
			X	X	X	6		12	
		X	X	X	X	8		16	
Advanced ECC <sup>1</sup>	1 GB		X	X		2	all	4	all
	2 GB		X	X		4	all	8	all
Mirroring	1 GB		X	X		2	1	4	2
	2 GB		X	X		4	2	8	4

## Installing Memory Modules



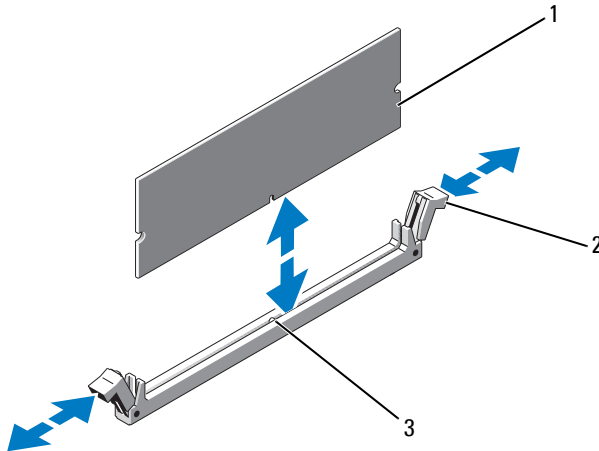
**WARNING:** The memory modules are hot to the touch for some time after the system has been powered down. Allow time for the memory modules to cool before handling them. Handle the memory modules by the card edges and avoid touching the components on the memory module.



**CAUTION:** Many repairs may only be done by a certified service technician. You should only perform troubleshooting and simple repairs as authorized in your product documentation, or as directed by the online or telephone service and support team. Damage due to servicing that is not authorized by Dell is not covered by your warranty. Read and follow the safety instructions that came with the product.

- 1 Turn off the system, including any attached peripherals, and disconnect the system from the electrical outlet.
- 2 Open the system. See "Opening the System" on page 66.
- 3 Remove the cooling shroud. See "Removing the Cooling Shroud" on page 68.
- 4 Locate the memory module sockets. See Figure 6-1.
- 5 Press the ejectors on the memory module socket down and out, as shown in Figure 3-12, to allow the memory module to be inserted into the socket.
- 6 Handle each memory module only on either card edge, making sure not to touch the middle of the memory module.

**Figure 3-12. Installing and Removing a Memory Module**



- 1 memory module
- 2 memory module socket ejectors (2)
- 3 alignment key

**7** Align the memory module's edge connector with the alignment key of the memory module socket, and insert the memory module in the socket.

**NOTE:** The memory module socket has an alignment key that allows you to install the memory module in the socket in only one way.

**8** Press down on the memory module with your thumbs to lock the memory module into the socket.

When the memory module is properly seated in the socket, the ejectors on the memory module socket align with the ejectors on the other sockets that have memory modules installed.

**9** Repeat step 5 through step 8 of this procedure to install the remaining memory modules. See Table 3-2.

**10** Replace the cooling shroud. See "Installing the Cooling Shroud" on page 69.

**11** Close the system. See "Closing the System" on page 67.



- 12 Start up the system, press <F2> to enter the System Setup program, and check the **System Memory** settings on the main System Setup screen.  
The system should have already changed the value to reflect the newly installed memory.
- 13 If the value is incorrect, one or more of the memory modules may not be installed properly. Repeat step 2 through step 12 of this procedure, checking to ensure that the memory modules are firmly seated in their sockets.
- 14 Run the system memory test in the system diagnostics. See "Running the Embedded System Diagnostics" on page 148.

## Removing Memory Modules



**WARNING: The memory modules are hot to the touch for some time after the system has been powered down. Allow time for the memory modules to cool before handling them. Handle the memory modules by the card edges and avoid touching the components on the memory module.**



**CAUTION: Many repairs may only be done by a certified service technician. You should only perform troubleshooting and simple repairs as authorized in your product documentation, or as directed by the online or telephone service and support team. Damage due to servicing that is not authorized by Dell is not covered by your warranty. Read and follow the safety instructions that came with the product.**

- 1 Turn off the system, including any attached peripherals, and disconnect the system from the electrical outlet.
- 2 Open the system. See "Opening the System" on page 66.
- 3 Remove the cooling shroud. See "Removing the Cooling Shroud" on page 68.
- 4 Locate the memory module sockets. See Figure 6-1.

- 5 Press down and out on the ejectors on each end of the socket until the memory module pops out of the socket. See Figure 3-12.  
Handle each memory module only on either card edge, making sure not to touch the middle of the memory module.
- 6 Replace the cooling shroud. See "Installing the Cooling Shroud" on page 69.
- 7 Close the system. See "Closing the System" on page 67.
- 8 Reconnect the system and peripherals to their power sources, and turn them on.

## Expansion Cards and Expansion-Card Risers

Your system supports up to four PCI Express (PCIe) expansion cards installed in connectors on an expansion-card riser.

Depending on the configuration, your system may have either riser 1 or riser 2:

- Expansion-card riser 1 provides three x4 Gen2 PCIe expansion-card slots and one x8 Gen2 PCIe expansion-card slot.
- Expansion-card riser 2 provides one x4 Gen2 PCIe expansion-card slot and one x16 Gen2 PCIe expansion-card slot.



**CAUTION: Expansion cards can only be installed in the slots on the expansion-card riser. Do not attempt to install expansion cards directly into the riser connector on the system board.**

### Expansion Card Installation Guidelines

- The expansion-card slots support full-height, half-length cards.
- The expansion-card slots are hot-swappable.
- PCI Express Generation 2 expansion cards are supported in all the slots.

- All the slots are x8 connectors.

**△ CAUTION: To ensure proper cooling, only one of the two expansion cards can have a power consumption of greater than 15 W (up to 25 W maximum), not including the integrated storage controller.**

- Table 3-4 provides a guide for installing expansion cards to ensure proper cooling and mechanical fit. The expansion cards with the highest priority should be installed first using the slot priority indicated. All other expansion cards should be installed in card priority and slot priority order.

**Table 3-3. Expansion-Card Installation Priority for Riser 1**

<b>Card Priority</b>	<b>Card Type</b>	<b>Slot Priority</b>	<b>Max Allowed</b>	<b>25-W Card</b>
1	PERC S300/S100	1, 2	2	Y
2	PERC H800	3, 2	2	Y
3	PERC 6/E controller	3, 2	2	Y
4	SAS 5/E	3, 2	2	Y
5	SCSI controllers	3, 2	2	Y
6	HPCC	2, 1	2	Y
7	Fibre Channel	2, 1	2	Y
8	10 Gb NIC	2, 1	2	Y
9	All other NICs	1, 2	2	N
10	All other Dell internal storage cards	4	1	Y
11	Non-Dell storage cards	1, 2	2	N*

\* When available

**Table 3-4. Expansion-Card Installation Priority for Riser 2**

<b>Card Priority</b>	<b>Card Type</b>	<b>Slot Priority</b>	<b>Max Allowed</b>	<b>25-W Card</b>
1	SAS 6/iR	2	1	Y
2	PERC 6/i	2	1	Y
3	PERC H700*	2	1	Y
4	PERC H200*	2	1	Y
5	All other NICs	1	1	N*
6	Non-Dell storage cards	1	1	N*

\* When available

## Installing an Expansion Card



**CAUTION:** Many repairs may only be done by a certified service technician. You should only perform troubleshooting and simple repairs as authorized in your product documentation, or as directed by the online or telephone service and support team. Damage due to servicing that is not authorized by Dell is not covered by your warranty. Read and follow the safety instructions that came with the product.

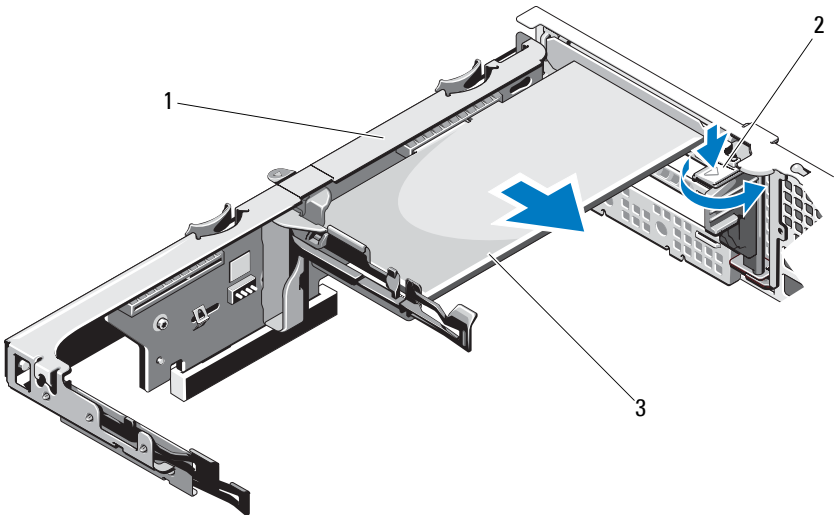
- 1 Unpack the expansion card and prepare it for installation.  
For instructions, see the documentation accompanying the card.
- 2 Turn off the system, including any attached peripherals, and disconnect the system from the electrical outlet.
- 3 Open the system. See "Opening the System" on page 66.
- 4 Remove the cooling shroud. See "Removing the Cooling Shroud" on page 68.
- 5 Open the expansion-card latch and remove the filler bracket.  
See Figure 3-13.



**NOTE:** Keep this bracket in case you need to remove the expansion card. Filler brackets must be installed over empty expansion-card slots to maintain FCC certification of the system. The brackets also keep dust and dirt out of the system and aid in proper cooling and airflow inside the system.

- 6 Holding the card by its edges, position the card so that the card-edge connector aligns with the expansion-card connector on the expansion-card riser.
- 7 Insert the card-edge connector firmly into the expansion-card connector until the card is fully seated.
- 8 Close the expansion-card latch. See Figure 3-13.

**Figure 3-13. Installing or Removing an Expansion Card**



- |   |                      |   |                      |
|---|----------------------|---|----------------------|
| 1 | expansion-card riser | 2 | expansion-card latch |
| 3 | expansion card       |   |                      |

- 9 Connect any cables to the expansion card.

- 10 Close the system. See "Closing the System" on page 67.
- 11 Reconnect the system to its electrical outlet and turn the system on, including any attached peripherals.

## Removing an Expansion Card



**CAUTION:** Many repairs may only be done by a certified service technician. You should only perform troubleshooting and simple repairs as authorized in your product documentation, or as directed by the online or telephone service and support team. Damage due to servicing that is not authorized by Dell is not covered by your warranty. Read and follow the safety instructions that came with the product.

- 1 Turn off the system, including any attached peripherals, and disconnect the system from the electrical outlet.
- 2 Open the system. See "Opening the System" on page 66.
- 3 Remove the cooling shroud. See "Removing the Cooling Shroud" on page 68.
- 4 Disconnect all cables from the card.
- 5 Open the expansion-card latch. See Figure 3-13.
- 6 Grasp the expansion card by its edges, and carefully remove it from the expansion-card connector.
- 7 If you are removing the card permanently, install a metal filler bracket over the empty expansion slot opening and close the expansion-card latch.



**NOTE:** You must install a filler bracket over an empty expansion slot to maintain Federal Communications Commission (FCC) certification of the system. The brackets also keep dust and dirt out of the system and aid in proper cooling and airflow inside the system.

- 8 Close the system. See "Closing the System" on page 67.
- 9 Reconnect the system to its electrical outlet and turn the system on, including any attached peripherals.

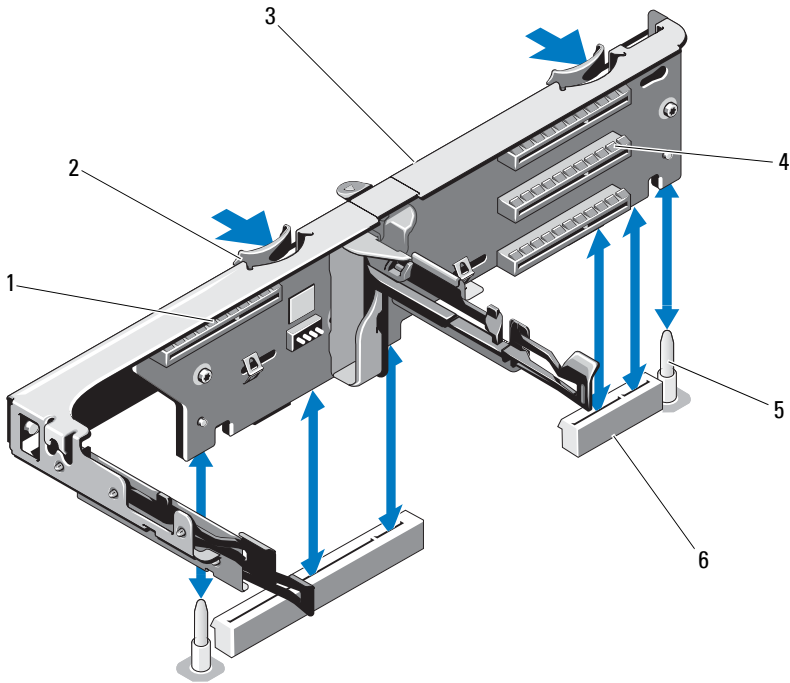
## Removing an Expansion-Card Riser



**CAUTION:** Many repairs may only be done by a certified service technician. You should only perform troubleshooting and simple repairs as authorized in your product documentation, or as directed by the online or telephone service and support team. Damage due to servicing that is not authorized by Dell is not covered by your warranty. Read and follow the safety instructions that came with the product.

- 1 Turn off the system, including any attached peripherals, and disconnect the system from the electrical outlet.
- 2 Open the system. See "Opening the System" on page 66.
- 3 Remove the cooling shroud. See "Removing the Cooling Shroud" on page 68.
- 4 If installed, remove the expansion card from the expansion-card slot. See "Removing an Expansion Card" on page 94.
- 5 If installed, remove the storage controller card. See "Removing the Storage Controller Card" on page 98.
- 6 Disconnect the cables connected to the riser card.
- 7 To remove the expansion-card riser, simultaneously press both the blue tabs on the expansion-card riser and lift it from the chassis. See Figure 3-14.

**Figure 3-14. Installing or Removing an Expansion-Card Riser**



- |   |                                    |   |                                |
|---|------------------------------------|---|--------------------------------|
| 1 | integrated storage controller slot | 2 | riser guides (2)               |
| 3 | expansion-card riser               | 4 | expansion card slot            |
| 5 | riser guide posts (2)              | 6 | expansion-card riser slots (2) |



## Installing an Expansion-Card Riser



**CAUTION: Many repairs may only be done by a certified service technician. You should only perform troubleshooting and simple repairs as authorized in your product documentation, or as directed by the online or telephone service and support team. Damage due to servicing that is not authorized by Dell is not covered by your warranty. Read and follow the safety instructions that came with the product.**

- 1 To install an expansion-card riser, align the riser guides with the riser guide posts on the system board. See Figure 3-14.
- 2 Lower the expansion-card riser into place until the expansion-card riser connector is fully seated.
- 3 If applicable, reinstall the expansion card. See "Installing an Expansion Card" on page 92.
- 4 Reinstall the storage controller card. See "Installing the Storage Controller Card" on page 100.
- 5 Reconnect all cables.
- 6 Close the system. See "Closing the System" on page 67.
- 7 Reconnect the system and peripherals to their power sources.

## Integrated Storage Controller Card

Your system includes a dedicated expansion-card slot on the riser for an integrated SAS or RAID controller card that provides the integrated storage subsystem for your system's hard drives. The controller supports SAS and SATA hard drives and also enables you to set up the hard drives in RAID configurations as supported by the version of the storage controller included with your system.

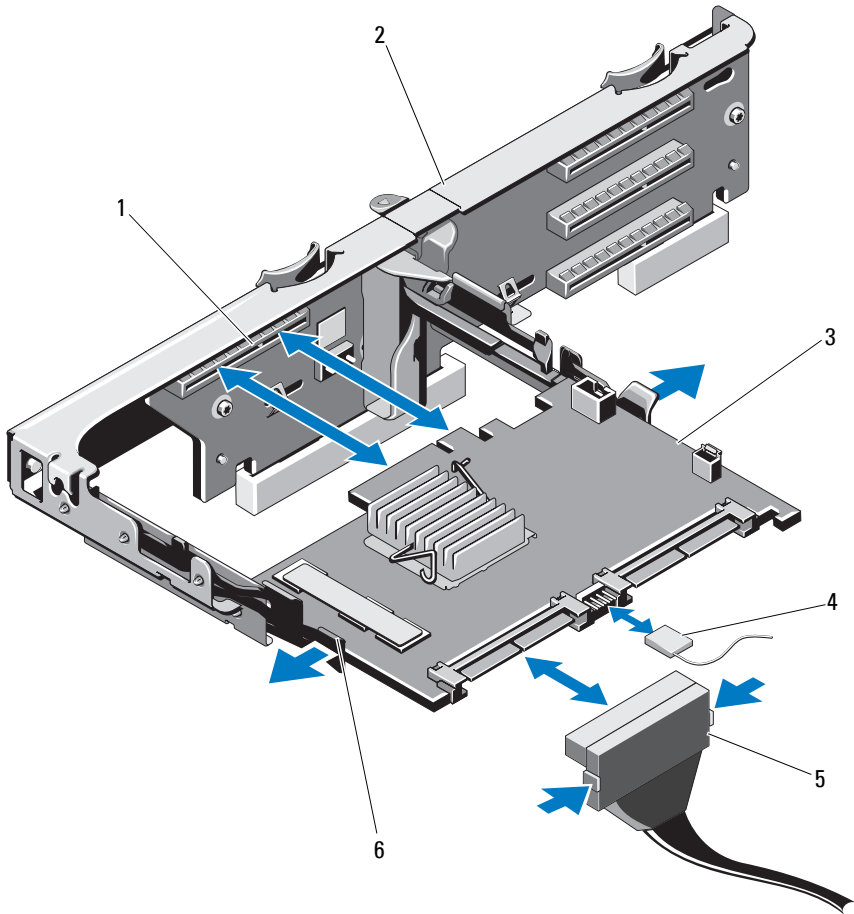
## Removing the Storage Controller Card



**CAUTION: Many repairs may only be done by a certified service technician. You should only perform troubleshooting and simple repairs as authorized in your product documentation, or as directed by the online or telephone service and support team. Damage due to servicing that is not authorized by Dell is not covered by your warranty. Read and follow the safety instructions that came with the product.**

- 1 Turn off the system, including any attached peripherals, and disconnect the system from the electrical outlet.
- 2 Open the system. See "Opening the System" on page 66.
- 3 If installed, remove the expansion card. See "Removing an Expansion Card" on page 94.
- 4 Disconnect the SAS cables connected to the card.
- 5 Disconnect the cable connecting the card to the expansion-card riser.
- 6 For a battery-cached RAID controller, disconnect the cable connecting the card to the RAID battery.
- 7 Bend both the card-edge guides outward and pull the storage controller card out of the connector.

**Figure 3-15. Installing and Removing the Storage Controller Card**



- 1 storage connector
- 3 storage controller card
- 5 SAS data cable connector

- 2 expansion-card riser
- 4 storage controller card cable
- 6 release lever (blue)

## Installing the Storage Controller Card



**CAUTION:** Many repairs may only be done by a certified service technician. You should only perform troubleshooting and simple repairs as authorized in your product documentation, or as directed by the online or telephone service and support team. Damage due to servicing that is not authorized by Dell is not covered by your warranty. Read and follow the safety instructions that came with the product.

- 1 Turn off the system, including any attached peripherals, and disconnect the system from the electrical outlet.
- 2 Open the system. See "Opening the System" on page 66.
- 3 If installed, remove the expansion card. See "Removing an Expansion Card" on page 94.
- 4 Route the cables in the cable path under the storage controller card slot on the expansion card riser.
- 5 With the storage controller card edge facing the riser, insert one side of the card into the black card-edge guide.



**NOTE:** For expansion-card riser 1, the installation sequence must be slot 3, 2, 1, and 4. The storage controller card must be installed in slot 4 after the other expansion cards have been installed.

- 6 Bend outward on the blue card-edge guide, lower the card onto the blue card-edge guide, and release the guide. See Figure 3-15.
- 7 Slide the storage controller's card edge connector into the card slot on the riser until the card is fully seated.
- 8 Connect the two SAS data cable connectors, CNTRL 0 and CNTRL 1, to the storage controller card. See Figure 3-15.



**NOTE:** Ensure that you connect the cables according to the connector labels on the cable. The cable does not function properly if reversed.

- 9 For a battery-cached RAID controller, connect the RAID battery cable to the controller card.

- 10 Replace the expansion card. See "Installing an Expansion Card" on page 92.
- 11 Close the system. See "Closing the System" on page 67.
- 12 Reconnect the system to its electrical outlet and turn the system on, including any attached peripherals.
- 13 If applicable, replace the front bezel. See "Removing the Front Bezel" on page 65.

## iDRAC6 Express Card

### Installing an iDRAC6 Express Card

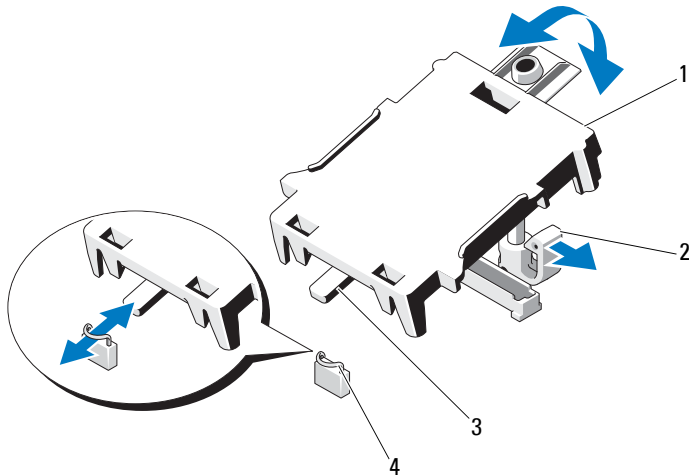


**CAUTION: Many repairs may only be done by a certified service technician. You should only perform troubleshooting and simple repairs as authorized in your product documentation, or as directed by the online or telephone service and support team. Damage due to servicing that is not authorized by Dell is not covered by your warranty. Read and follow the safety instructions that came with the product.**

- 1 Turn off the system, including any attached peripherals, and disconnect the system from the electrical outlet.
- 2 Open the system. See "Opening the System" on page 66.
- 3 If installed, remove all expansion cards from expansion-card riser. "Removing an Expansion Card" on page 94.
- 4 Insert the notch on the iDRAC6 Express card into the clip on the system board.
- 5 Align the front edge of the card with the connector on the system board. See Figure 6-1 for the location of the connector.
- 6 Press the card down until it is fully seated. See Figure 3-16.

When the front of the card is fully seated, the plastic standoff tab snaps over the edge of the holder.

**Figure 3-16. Installing or Removing an iDRAC6 Express Card**



- |   |                     |   |                      |
|---|---------------------|---|----------------------|
| 1 | iDRAC6 Express card | 2 | plastic standoff tab |
| 3 | notch               | 4 | clip                 |

- 7 Reinstall all expansion cards in the expansion-card riser. See "Installing an Expansion Card" on page 92.
- 8 Close the system. See "Closing the System" on page 67.
- 9 Reconnect the system and peripherals to their power sources, and turn them on.

### Removing an iDRAC6 Express Card

**CAUTION:** Many repairs may only be done by a certified service technician. You should only perform troubleshooting and simple repairs as authorized in your product documentation, or as directed by the online or telephone service and support team. Damage due to servicing that is not authorized by Dell is not covered by your warranty. Read and follow the safety instructions that came with the product.

- 1 Turn off the system, including any attached peripherals, and disconnect the system from the electrical outlet.
- 2 Open the system. See "Opening the System" on page 66.

- 3 Pull back slightly on the retention standoff tab at the front edge of the card and gently lift the card off the retention standoff. See Figure 3-16.  
As the holder releases from the standoff, the connector under the card disengages from the system board connector.
- 4 Angle the card so that the notch on the card slips through the clip on the system board.
- 5 Replace the expansion cards. See "Installing an Expansion Card" on page 92.
- 6 Close the system. See "Closing the System" on page 67.
- 7 Reconnect the system and peripherals to their power sources, and turn them on.

## iDRAC6 Enterprise Card (Optional)

### Installing an iDRAC6 Enterprise Card

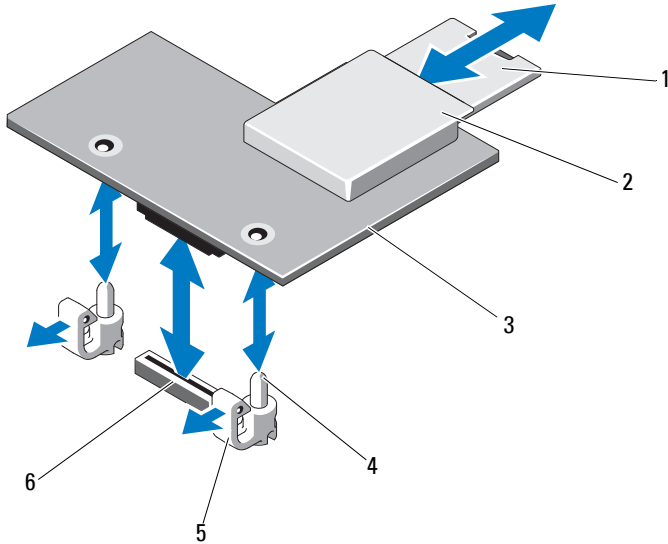


**CAUTION: Many repairs may only be done by a certified service technician. You should only perform troubleshooting and simple repairs as authorized in your product documentation, or as directed by the online or telephone service and support team. Damage due to servicing that is not authorized by Dell is not covered by your warranty. Read and follow the safety instructions that came with the product.**

- 1 Turn off the system, including any attached peripherals, and disconnect the system from the electrical outlet.
- 2 Open the system. See "Opening the System" on page 66.
- 3 Remove the cooling shroud. See "Removing the Cooling Shroud" on page 68.
- 4 Remove the plastic filler plug of the iDRAC6 Enterprise port from the system back panel.
- 5 Angle the card so that the RJ-45 connector fits through the back-panel opening. See Figure 3-17.
- 6 Align the front edge of the card with the two front plastic retention standoffs next to the iDRAC6 connector on the system board, and lower the card into place. See Figure 3-17.

When the front of the card is fully seated, the plastic standoffs snap over the edge of the card.

**Figure 3-17. Installing or Removing an iDRAC6 Enterprise Card**



- |   |                             |   |                                  |
|---|-----------------------------|---|----------------------------------|
| 1 | VFlash SD card              | 2 | VFlash media slot                |
| 3 | iDRAC6 Enterprise card      | 4 | retention standoff posts (2)     |
| 5 | retention standoff tabs (2) | 6 | iDRAC6 Enterprise card connector |

- 7** If applicable, install the VFlash media card. See "Installing a VFlash Media Card" on page 106.
- 8** Close the system. See "Closing the System" on page 67.
- 9** Reconnect the system and peripherals to their power sources, and turn them on.



## Removing an iDRAC6 Enterprise Card




**CAUTION: Many repairs may only be done by a certified service technician. You should only perform troubleshooting and simple repairs as authorized in your product documentation, or as directed by the online or telephone service and support team. Damage due to servicing that is not authorized by Dell is not covered by your warranty. Read and follow the safety instructions that came with the product.**

- 1** Turn off the system, including any attached peripherals, and disconnect the system from the electrical outlet.
- 2** If present, disconnect the Ethernet cable from the iDRAC6 enterprise card connector on the system back panel. See Figure 1-3.
- 3** Open the system. See "Opening the System" on page 66.
- 4** Remove the cooling shroud. See "Removing the Cooling Shroud" on page 68.
- 5** Remove the VFlash media card (if installed) from the iDRAC6 enterprise card. See "Removing a VFlash Media Card" on page 106.
- 6** Pull back slightly on the two tabs at the front edge of the card and gently lift the front edge of the card from the retention standoffs.  
As the card releases from the standoffs, the connector under the card disengages from the system board connector.
- 7** Slide the card away from the back of the system until the RJ-45 connector is clear of the back panel, then lift the card out of the system.
- 8** Replace the plastic filler plug over the port at the system back panel. See "Back-Panel Features and Indicators" on page 16 for the location of the port.
- 9** Replace the cooling shroud. See "Installing the Cooling Shroud" on page 69.
- 10** Close the system. See "Closing the System" on page 67.
- 11** Reconnect the system and peripherals to their power sources, and turn them on.

## VFlash Media (Optional)

The VFlash media card is a Secure Digital (SD) card that plugs into the iDRAC6 Enterprise card at the back corner of the system.

### Installing a VFlash Media Card

- 1 Locate the VFlash media slot at the back of the system.
- 2 With the label side facing up, insert the contact-pin end of the SD card into the card slot on the module.
  -  **NOTE:** The slot is keyed to ensure correct insertion of the card.
- 3 Press inward on the card to lock it into the slot.


### Removing a VFlash Media Card

To remove the VFlash media, push inward on the card to release it, and pull the card from the card slot.

## Internal USB Memory Key

Optional USB memory keys installed inside your system can be used as a boot device, security key, or mass storage device. The USB connector must be enabled by the **Internal USB Port** option in the **Integrated Devices** screen of the System Setup program.

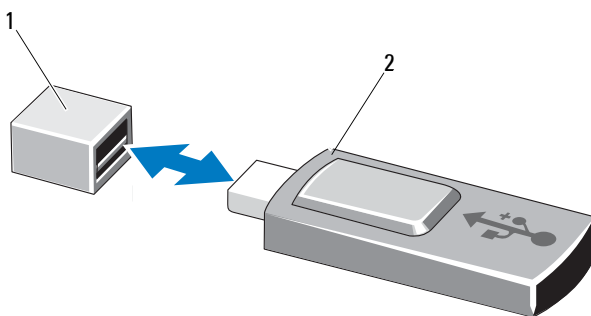
To boot from the USB memory key, configure the USB memory key with a boot image and then specify the USB memory key in the boot sequence in the System Setup program.

 **CAUTION: Many repairs may only be done by a certified service technician. You should only perform troubleshooting and simple repairs as authorized in your product documentation, or as directed by the online or telephone service and support team. Damage due to servicing that is not authorized by Dell is not covered by your warranty. Read and follow the safety instructions that came with the product.**

- 1 Turn off the system, including any attached peripherals, and disconnect the system from the electrical outlet.
- 2 Open the system. See "Opening the System" on page 66.
- 3 Locate the USB connector on the control panel or SAS backplane, based on your system configuration. See Figure 3-24.

- 4 Insert the USB memory key into the USB connector. See Figure 3-18.
- 5 Close the system. See "Closing the System" on page 67.
- 6 Reconnect the system to its electrical outlet and turn the system on, including any attached peripherals.
- 7 Enter the System Setup program and verify that the USB key has been detected by the system. See "Using the System Setup Program Navigation Keys" on page 42.

**Figure 3-18. Removing and Installing a USB Memory Key**



1 USB memory key connector

2 USB memory key

## Processors

### Removing a Processor

**⚠ CAUTION: Many repairs may only be done by a certified service technician. You should only perform troubleshooting and simple repairs as authorized in your product documentation, or as directed by the online or telephone service and support team. Damage due to servicing that is not authorized by Dell is not covered by your warranty. Read and follow the safety instructions that came with the product.**

- 1 Prior to upgrading your system, download the latest system BIOS version on [dell.com/support](http://dell.com/support).
- 2 Turn off the system, including any attached peripherals, and disconnect the system from the electrical outlet.

- 3 Open the system. See "Opening the System" on page 66.
- 4 Remove the cooling shroud. See "Removing the Cooling Shroud" on page 68.



**WARNING: The heat sink and processor are hot to touch for some time after the system has been powered down. Allow the heat sink and processor to cool before handling them.**



**CAUTION: Never remove the heat sink from a processor unless you intend to remove the processor. The heat sink is necessary to maintain proper thermal conditions.**

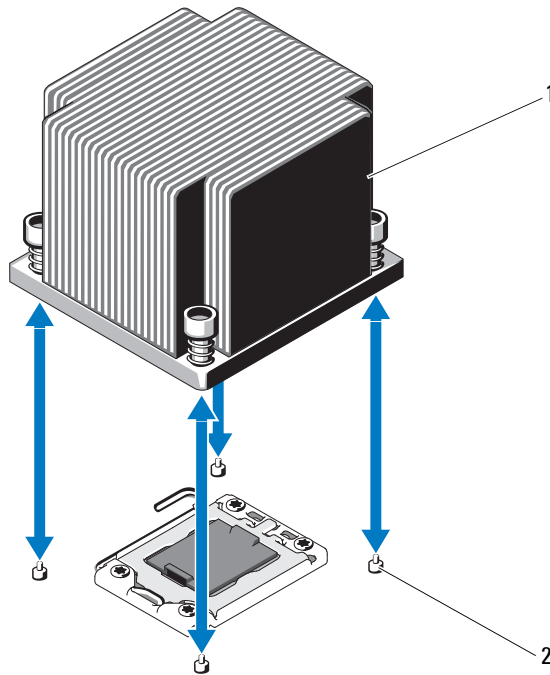
- 5 Using a #2 Phillips screwdriver, loosen one of the heat-sink retention screws. See Figure 3-19.
- 6 Wait 30 seconds for the heat sink to loosen from the processor.
- 7 Loosen the other three heat-sink retention screws.
- 8 Gently lift the heat sink off of the processor and set the heat sink aside with thermal grease side facing up.



**CAUTION: The processor is held in its socket under strong pressure. Be aware that the release lever can spring up suddenly if not firmly grasped.**

- 9 Position your thumb firmly over the processor socket-release lever and release the lever from the locked position. Rotate the lever 90 degrees upward until the processor is released from the socket. See Figure 3-20.

**Figure 3-19. Installing and Removing the Heat Sink**



1 heat sink heat-sink

2 retention screws (4)

**10** Rotate the processor shield upward and out of the way. See Figure 3-20.

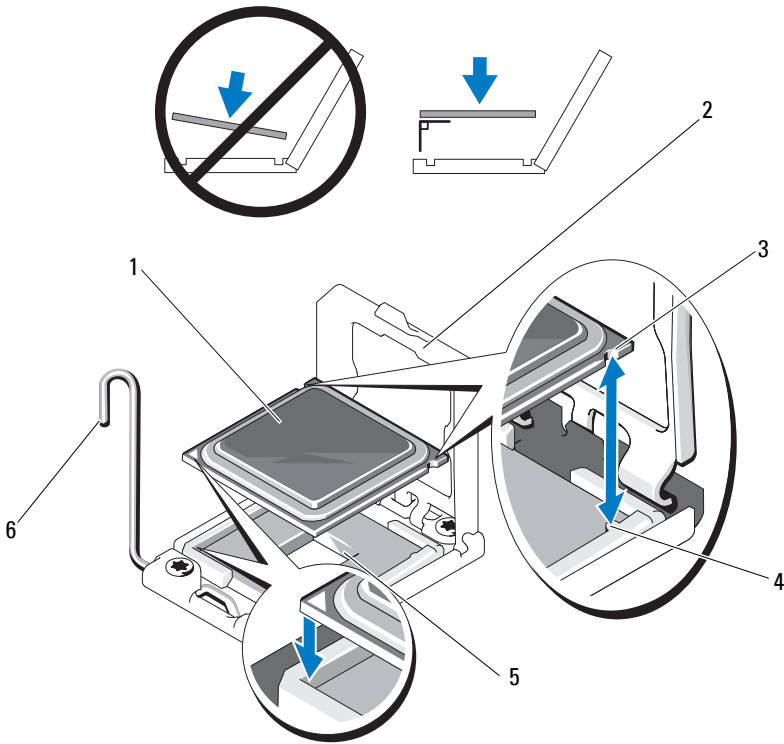
**11** Lift the processor out of the socket and leave the release lever up so that the socket is ready for the new processor.

**⚠ CAUTION:** Be careful not to bend any of the pins on the ZIF socket when removing the processor. Bending the pins can permanently damage the system board.




**NOTE:** In single-processor configurations, a processor must be installed in socket CPU1. Install the blank in socket CPU2 only.

**Figure 3-20. Installing and Removing a Processor**



- |   |                    |   |                      |
|---|--------------------|---|----------------------|
| 1 | processor          | 2 | processor shield     |
| 3 | notch in processor | 4 | socket key           |
| 5 | ZIF socket         | 6 | socket-release lever |

## Installing a Processor

 **CAUTION:** Many repairs may only be done by a certified service technician. You should only perform troubleshooting and simple repairs as authorized in your product documentation, or as directed by the online or telephone service and support team. Damage due to servicing that is not authorized by Dell is not covered by your warranty. Read and follow the safety instructions that came with the product.

- 1 If you are upgrading your processors, prior to upgrading your system, download and install the latest system BIOS version from [dell.com/support](http://dell.com/support). Follow the instructions included in the file download to install the update on your system.




**NOTE:** In single-processor configurations, socket CPU1 must be used.


- 2 Unpack the processor if it has not been used previously.

If the processor has already been used, remove any thermal grease from the top of the processor using a lint-free cloth.


- 3 Align the processor with the socket keys on the ZIF socket.  
See Figure 3-20.

 **CAUTION:** Positioning the processor incorrectly can permanently damage the system board or the processor. Be careful not to bend the pins in the ZIF socket.

- 4 With the release lever on the processor socket in the open position, align the processor with the socket keys and set the processor lightly in the socket.

 **CAUTION:** Do not use force to seat the processor. When the processor is positioned correctly, it engages easily into the socket.

- 5 Close the processor shield.
- 6 Rotate the socket release lever down until it snaps into place.
- 7 Using a clean lint-free cloth, remove the thermal grease from the heat sink.
- 8 Open the grease packet included with your processor kit and apply thermal grease evenly to the center of the top of the new processor.

 **CAUTION:** Using excess thermal grease can cause grease to contact the processor shield, which can cause contamination of the processor socket.


- 9 Place the heat sink on the processor. See Figure 3-19.

- 10 Using a #2 Phillips screwdriver, tighten the heat-sink retention screws. See Figure 3-19.
- 11 Replace the cooling shroud. See "Installing the Cooling Shroud" on page 69.
- 12 Close the system. See "Closing the System" on page 67.
- 13 Reconnect the system to its electrical outlet and turn the system on, including any attached peripherals.
- 14 Press <F2> to enter the System Setup program, and check that the processor information matches the new system configuration. See "Entering the System Setup Program" on page 42.
- 15 Run the system diagnostics to verify that the new processor operates correctly.  
See "Running the Embedded System Diagnostics" on page 148 for information about running the diagnostics.

## System Battery

### Replacing the System Battery

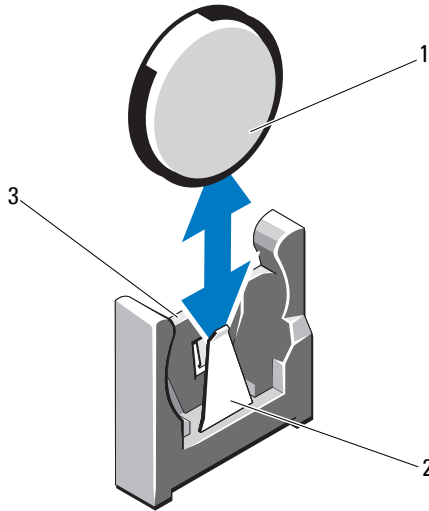
 **WARNING:** There is a danger of a new battery exploding if it is incorrectly installed. Replace the battery only with the same or equivalent type recommended by the manufacturer. See your safety information for additional info.

 **CAUTION:** Many repairs may only be done by a certified service technician. You should only perform troubleshooting and simple repairs as authorized in your product documentation, or as directed by the online or telephone service and support team. Damage due to servicing that is not authorized by Dell is not covered by your warranty. Read and follow the safety instructions that came with the product.

- 1 Turn off the system, including any attached peripherals, and disconnect the system from the electrical outlet.
- 2 Open the system. See "Opening the System" on page 66.
- 3 Remove the cooling shroud. See "Removing the Cooling Shroud" on page 68.



**Figure 3-21. Replacing the System Battery**



- 1 system battery
- 2 negative side of battery connector
- 3 positive side of battery connector

- 4 If installed, remove the expansion card from the expansion-card slot. See "Removing an Expansion Card" on page 94.
- 5 If installed, remove the storage controller card. See "Removing the Storage Controller Card" on page 98.
- 6 To remove the expansion-card riser, press the blue tabs on the expansion-card riser and lift it from the chassis. See "Removing an Expansion-Card Riser" on page 95.
- 7 Locate the battery socket. See "Jumpers and Connectors" on page 151.

**△ CAUTION: To avoid damage to the battery connector, you must firmly support the connector while installing or removing a battery.**

- 8 Support the battery connector by firmly holding the positive side of the connector.

- 9 Press the battery toward the negative side of the connector and lift it up out of the securing tab at the negative side of the connector.
- 10 Support the battery connector by pressing down firmly on the positive side of the connector.
- 11 Hold the new battery with the "+" facing the plastic connector on the system board and slide it under the securing tabs.
- 12 Press the battery straight down into the connector until it snaps into place.
- 13 Replace the expansion-card riser. See "Installing an Expansion-Card Riser" on page 97.
- 14 Replace the storage controller card. See "Installing the Storage Controller Card" on page 100.
- 15 Replace the expansion card from the expansion-card slot, now. See "Installing an Expansion Card" on page 92.
- 16 Replace the cooling shroud. See "Installing the Cooling Shroud" on page 69.
- 17 Close the system. See "Closing the System" on page 67.
- 18 Reconnect the system to the electrical outlet and turn the system on, including any attached peripherals.
- 19 Enter the System Setup program to confirm that the battery is operating properly. See "Entering the System Setup Program" on page 42.
- 20 Enter the correct time and date in the System Setup program's **Time** and **Date** fields.
- 21 Exit the System Setup program.

# RAID Battery (Optional)

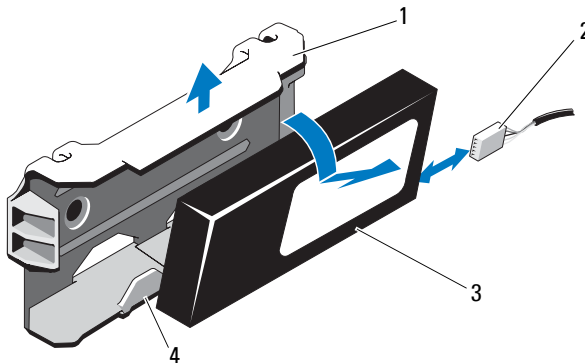
## Removing the RAID Battery

**CAUTION:** Many repairs may only be done by a certified service technician. You should only perform troubleshooting and simple repairs as authorized in your product documentation, or as directed by the online or telephone service and support team. Damage due to servicing that is not authorized by Dell is not covered by your warranty. Read and follow the safety instructions that came with the product.

**NOTE:** The information in this section applies only to systems with the optional RAID controller card.

- 1 Turn off the system, including any attached peripherals, and disconnect the system from the electrical outlet.
- 2 Open the system. See "Opening the System" on page 66.
- 3 To disconnect the RAID battery cable by gently pulling the cable connector out of the connector. See Figure 3-22.
- 4 Pull back gently on the two tabs holding the RAID battery and lift the RAID battery from the battery carrier. See Figure 3-22.


**Figure 3-22. Removing and Installing the RAID Battery**



- 1 battery carrier
- 3 RAID battery

- 2 battery cable connector
- 4 battery carrier tabs (2)


## Installing the RAID Battery

 **CAUTION: Many repairs may only be done by a certified service technician. You should only perform troubleshooting and simple repairs as authorized in your product documentation, or as directed by the online or telephone service and support team. Damage due to servicing that is not authorized by Dell is not covered by your warranty. Read and follow the safety instructions that came with the product.**

- 1 Insert the RAID battery into the battery carrier until it locks into place. See Figure 3-22.
- 2 Connect the cable to the battery. See Figure 6-1.
- 3 Close the system. See "Closing the System" on page 67.
- 4 Turn on the system and attached peripherals.

## Control Panel Assembly

### Removing the Control-Panel Module

 **CAUTION: Many repairs may only be done by a certified service technician. You should only perform troubleshooting and simple repairs as authorized in your product documentation, or as directed by the online or telephone service and support team. Damage due to servicing that is not authorized by Dell is not covered by your warranty. Read and follow the safety instructions that came with the product.**

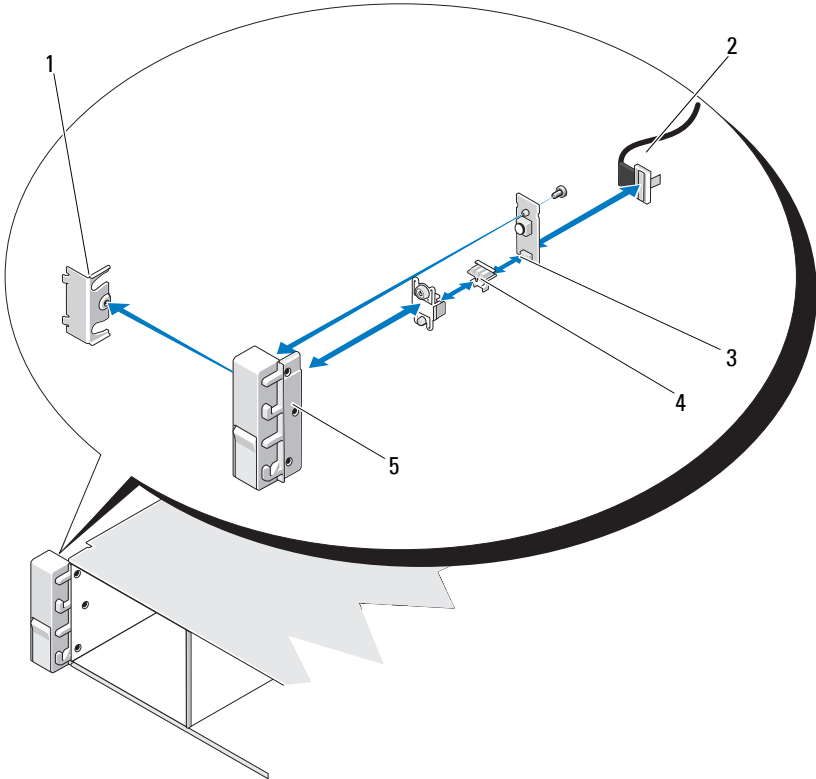
- 1 If installed, remove the front bezel. See "Removing the Front Bezel" on page 65.
- 2 Turn off the system and attached peripherals, and disconnect the system from the electrical outlet and peripherals.
- 3 Remove the single screw securing the bracket to the module and remove the bracket.
- 4 Disconnect the control-panel cable at back of the module by using the pull tab. See Figure 3-23.

 **CAUTION: Do not pull on the cable to unseat the connector. Doing so can damage the cable.**

- 5 Remove the screw securing the power button board to the control-panel module. See Figure 3-23.

- 6 Remove the power button board and power button from the control-panel module.

**Figure 3-23. Removing and Installing the Control Panel**



- 1 bracket
- 3 power button board
- 5 control-panel module

- 2 control-panel cable
- 4 power button

## Installing the Control-Panel Module



**CAUTION: Many repairs may only be done by a certified service technician. You should only perform troubleshooting and simple repairs as authorized in your product documentation, or as directed by the online or telephone service and support team. Damage due to servicing that is not authorized by Dell is not covered by your warranty. Read and follow the safety instructions that came with the product.**

- 1 Assemble the power button and power button board in the control-panel module.
- 2 Tighten the screw to secure the power button board to the control-panel module. See Figure 3-23.
- 3 Connect the control-panel cable to the control-panel module.
- 4 Replace the bracket and tighten the single screw to secure the bracket to the back of the control-panel module.
- 5 Close the system. See "Closing the System" on page 67.
- 6 Reconnect the system to the power source and turn on the system and attached peripherals.
- 7 If applicable, replace the front bezel. See "Installing the Front Bezel" on page 66.

## SAS Backplane

### Removing the SAS Backplane



**CAUTION: Many repairs may only be done by a certified service technician. You should only perform troubleshooting and simple repairs as authorized in your product documentation, or as directed by the online or telephone service and support team. Damage due to servicing that is not authorized by Dell is not covered by your warranty. Read and follow the safety instructions that came with the product.**

- 1 If applicable, remove the optional bezel. See "Removing the Front Bezel" on page 65.
- 2 Turn off the system and attached peripherals, and disconnect the system from the electrical outlet.
- 3 Open the system. See "Opening the System" on page 66.

**△ CAUTION: To prevent damage to the drives and backplane, you must remove the hard drives from the system before removing the backplane.**

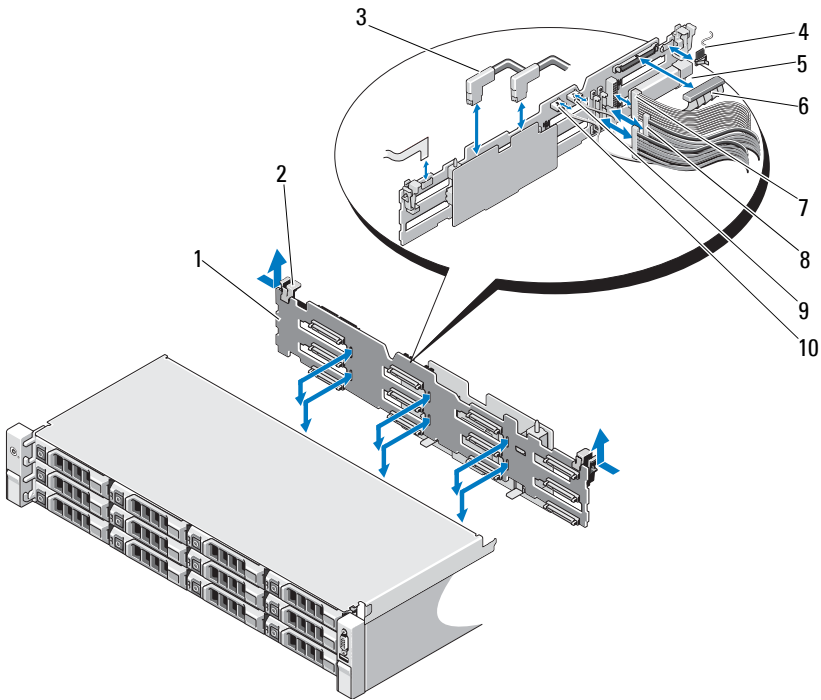
**△ CAUTION: You must note the number of each hard drive and temporarily label them before removal so that you can replace them in the same locations.**

- 4** Remove all hard drives. See "Removing a Hot-Swap Hard Drive" on page 70.
- 5** Disconnect the power cable from the end of the SAS backplane.
- 6** Disconnect the SAS data cables from the backplane.
- 7** Disconnect the optical-drive cable, USB cable, internal hard-drive cables, and the control-panel cable.

**△ CAUTION: Handle the cables gently to prevent damage.**

- 8** While pressing the two blue latches toward each other, lift the backplane upward. See Figure 3-24.
- 9** When the backplane cannot slide upward any farther, pull the backplane toward the back of the system to remove it from the retention hooks.
- 10** Lift the board out of the system, being careful to avoid damaging components on the face of the board.
- 11** Place the SAS backplane face down on a work surface.

**Figure 3-24. Removing and Installing a SAS Backplane**



- |   |                          |    |                                 |
|---|--------------------------|----|---------------------------------|
| 1 | SAS backplane            | 2  | backplane retention latches (2) |
| 3 | SAS cables               | 4  | control panel module cable      |
| 5 | USB memory key connector | 6  | SAS backplane power cable       |
| 7 | control panel cable      | 8  | internal hard drive cables (2)  |
| 9 | USB cable                | 10 | SAS backplane cable             |



## Installing the SAS Backplane



**CAUTION: Many repairs may only be done by a certified service technician. You should only perform troubleshooting and simple repairs as authorized in your product documentation, or as directed by the online or telephone service and support team. Damage due to servicing that is not authorized by Dell is not covered by your warranty. Read and follow the safety instructions that came with the product.**

- 1 Lower the backplane into the system, being careful to avoid damaging components on the face of the board.
- 2 Align the slots in the backplane with the retention hooks on the back of the drive bays, then move the backplane forward until the retention hooks fit through the slots in the backplane. See Figure 3-24.
- 3 Slide the backplane downward until the two blue retention latches snap into place.
- 4 Connect the SAS data and power cables to the SAS backplane.
- 5 Install the hard drives in their original locations.
- 6 Connect the optical drive cable, internal hard-drive cables, USB cable and the control panel cable to the system board.




**CAUTION: Handle the cables gently to prevent damage.**

- 7 Close the system. See "Closing the System" on page 67.
- 8 Reconnect the system to its electrical outlet and turn the system on, including any attached peripherals.

# Power Distribution Board

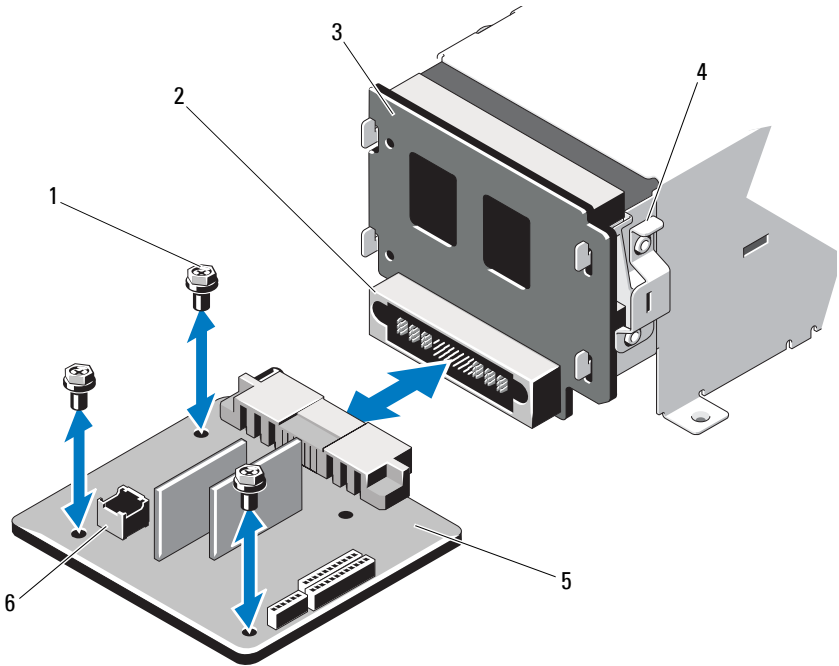
The power distribution board is located on your system directly behind the power supply fan module. See Figure 3-25.

## Removing the Power Distribution Board

 **CAUTION: Many repairs may only be done by a certified service technician. You should only perform troubleshooting and simple repairs as authorized in your product documentation, or as directed by the online or telephone service and support team. Damage due to servicing that is not authorized by Dell is not covered by your warranty. Read and follow the safety instructions that came with the product.**

- 1 If applicable, remove the internal hard drive bay and support carrier. See "Removing an Internal Hard Drive Bay" on page 73.
- 2 If applicable, remove the thumb screw on the support bracket and lift it up and out of the system.
- 3 Remove the power supplies from the system. See "Removing a Redundant Power Supply" on page 80.
- 4 Remove the expansion cards. See "Removing an Expansion Card" on page 94.
- 5 Remove the expansion card riser. See "Removing an Expansion-Card Riser" on page 95.
- 6 Disconnect power distribution cables from the system board (see "System Board" on page 125).
- 7 Disconnect the fan cable.
- 8 Remove the screws securing the power distribution board to the chassis. See Figure 3-25.
- 9 Pull the blue tab, lift the power distribution board, and move it toward the front of the system to disengage from the tabs on the power supply bay. See Figure 3-25.

**Figure 3-25. Removing and Installing the Power Distribution Board**



- |   |                          |   |                            |
|---|--------------------------|---|----------------------------|
| 1 | screws (3)               | 2 | power supply connector     |
| 3 | power-interposer board   | 4 | blue tab                   |
| 5 | power-distribution board | 6 | fan module cable connector |

## Installing the Power Distribution Board





**CAUTION: Many repairs may only be done by a certified service technician. You should only perform troubleshooting and simple repairs as authorized in your product documentation, or as directed by the online or telephone service and support team. Damage due to servicing that is not authorized by Dell is not covered by your warranty. Read and follow the safety instructions that came with the product.**

- 1 Unpack the new power distribution board assembly.
- 2 Align the power distribution board with the tabs on the chassis and slide it in place until the blue tab snaps over the edge of the board. See Figure 3-25.
- 3 Install the three screws that secure the power distribution board to the chassis. See Figure 3-25.
- 4 Connect the power distribution cables to the system board (see "System Board" on page 125) and fan cable to the power distribution board as shown in Figure 3-25.
- 5 If applicable, align the support bracket over the Power Distribution board and secure in place with the screw.
- 6 If applicable, install the internal hard-drive bay. See "Installing an Internal Hard Drive Bay" on page 75.
- 7 Install the power supplies in the system.
- 8 Replace the expansion-card riser. See "Installing an Expansion-Card Riser" on page 97.
- 9 Replace the expansion cards. See "Installing an Expansion Card" on page 92.
- 10 Close the system. See "Closing the System" on page 67.
- 11 Reconnect the system to its electrical outlet and turn the system on, including any attached peripherals.

# System Board

## Removing the System Board

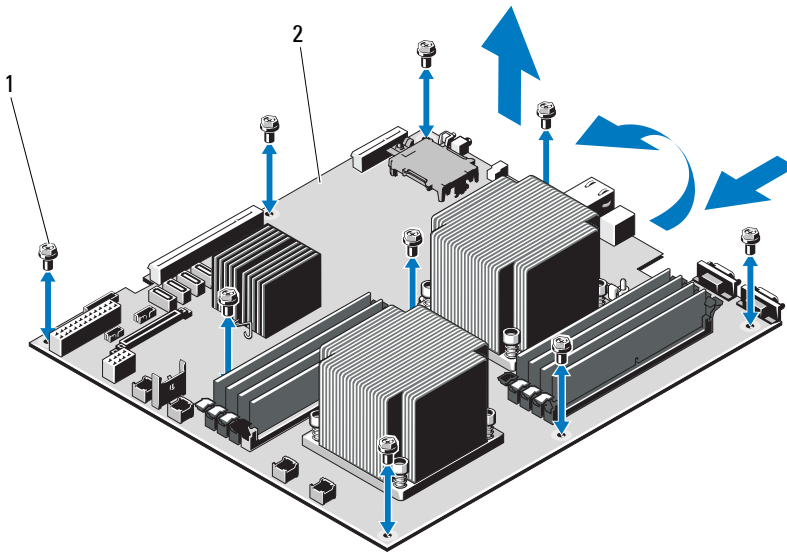
-  **CAUTION:** Many repairs may only be done by a certified service technician. You should only perform troubleshooting and simple repairs as authorized in your product documentation, or as directed by the online or telephone service and support team. Damage due to servicing that is not authorized by Dell is not covered by your warranty. Read and follow the safety instructions that came with the product.
-  **CAUTION:** If you are using the Trusted Program Module (TPM) with an encryption key, you may be prompted to create a recovery key during program or system setup. Be sure to create and safely store this recovery key. If you replace this system board, you must supply the recovery key when you restart your system or program before you can access the encrypted data on your hard drives.
- 1 Turn off the system and attached peripherals, and disconnect the system from the electrical outlet.
  - 2 Open the system. See "Opening the System" on page 66.
  - 3 Remove the cooling shroud. See "Removing the Cooling Shroud" on page 68.
  - 4 Remove the power supplies. See "Removing a Redundant Power Supply" on page 80.
  - 5 Remove all expansion cards and, if applicable, the storage controller card. See "Removing an Expansion Card" on page 94 and "Removing the Storage Controller Card" on page 98.
  - 6 Remove the expansion-card riser. See "Removing an Expansion-Card Riser" on page 95.
  - 7 Remove the heat sinks, processors and heat-sink blanks. See "Removing a Processor" on page 107.
  - 8 If installed, remove the iDRAC6 Enterprise card. See "Removing an iDRAC6 Enterprise Card" on page 105.
  - 9 If installed, remove the iDRAC6 Express card. See "Removing an iDRAC6 Express Card" on page 102.
  - 10 Disconnect all cables from the system board.

11 Remove the nine screws securing the system board to the chassis and then slide the system board assembly toward the front end of the chassis.

**CAUTION:** Do not lift the system board assembly by grasping a memory module, processor, or other components.

12 Grasp the system board assembly by the edges and lift the system board assembly away from the chassis. See Figure 3-26.


**Figure 3-26. Removing and Installing the System Board**



1 screws (9)

2 system board assembly

## Installing the System Board

 **CAUTION: Many repairs may only be done by a certified service technician. You should only perform troubleshooting and simple repairs as authorized in your product documentation, or as directed by the online or telephone service and support team. Damage due to servicing that is not authorized by Dell is not covered by your warranty. Read and follow the safety instructions that came with the product.**

- 1 Unpack the new system board.
- 2 Remove the labels from the processor shield and affix them to the system identification panel on the front of the system. See Figure 1-1.
- 3 Holding the system board by the edges, lower the system board into the chassis.

 **CAUTION: Do not lift the system board assembly by grasping a memory module, processor, or other components.**

- 4 Slightly lift up the front of the system board and maneuver the system board to the bottom of the chassis until it lays completely flat.
- 5 Push the system board toward the back of the chassis until the board is in place.
- 6 Tighten the nine screws that secure the system board to the chassis. See Figure 3-26.
- 7 Transfer the processors to the new system board. See "Removing a Processor" on page 107 and "Installing a Processor" on page 111.
- 8 Remove the memory modules and transfer them to the same locations on the new board. See "Removing Memory Modules" on page 89 and "Installing Memory Modules" on page 87.
- 9 Connect the cables to the system board. See Figure 6-1 for the locations of the connectors on the system board.
- 10 Replace the expansion-card riser. See "Installing an Expansion-Card Riser" on page 97.
- 11 Install all expansion cards. See "Installing an Expansion Card" on page 92.
- 12 If applicable, reinstall the storage controller card. See "Installing the Storage Controller Card" on page 100.


After connecting the SAS cables to the controller, make sure to place the cables under the guide on the end of riser 1.

- 13** If applicable, install the iDRAC6 Enterprise card. See "Installing an iDRAC6 Enterprise Card" on page 103.
- 14** If applicable, install the iDRAC6 Express card. See "Installing an iDRAC6 Express Card" on page 101.
- 15** Replace the cooling shroud. See "Installing the Cooling Shroud" on page 69.
- 16** Close the system. See "Closing the System" on page 67.
- 17** Reconnect the system to its electrical outlet and turn the system on, including any attached peripherals.
- 18** If applicable, replace the front bezel. See "Removing the Front Bezel" on page 65.



# Troubleshooting Your System

## Safety First—For You and Your System

 **CAUTION:** Many repairs may only be done by a certified service technician. You should only perform troubleshooting and simple repairs as authorized in your product documentation, or as directed by the online or telephone service and support team. Damage due to servicing that is not authorized by Dell is not covered by your warranty. Read and follow the safety instructions that came with the product.

## Troubleshooting System Startup Failure

If your system halts during startup prior to video imaging, especially after installing an operating system or reconfiguring your system's hardware, check for the following conditions.

- If you boot the system to the BIOS boot mode after installing an operating system from the UEFI Boot Manager, the system hangs. The reverse is also true. You must boot to the same boot mode in which you installed the operating system. See "Using the System Setup Program and UEFI Boot Manager" on page 41.
- Invalid memory configurations could cause the system to halt at startup without any video output. See "Expansion Cards and Expansion-Card Risers" on page 90.

For all other startup issues, note the system messages that appear onscreen. See "System Messages" on page 23 for more information.

## Troubleshooting External Connections

Ensure that all external cables are securely attached to the external connectors on your system before troubleshooting any external devices. See Figure 1-1 and Figure 1-3 for the front- and back-panel connectors on your system.

## Troubleshooting the Video Subsystem

- 1 Check the system and power connections to the monitor.
- 2 Check the video interface cabling from the system to the monitor.
- 3 Run the appropriate online diagnostic test. See "Using Online Diagnostics" on page 147.

If the tests run successfully, the problem is not related to video hardware.

If the tests fail, see "Getting Help" on page 157.

## Troubleshooting a USB Device

Use the following steps to troubleshoot a USB keyboard and/or mouse. For other USB devices, go to step 5.

- 1 Disconnect the keyboard and mouse cables from the system briefly and reconnect them.
- 2 Connect the keyboard/mouse to the USB port(s) on the opposite side of the system.
- 3 If the problem is resolved, restart the system, enter the System Setup program, and check if the nonfunctioning USB ports are enabled.
- 4 Replace the keyboard/mouse with another working keyboard/mouse.

If the problem is resolved, replace the faulty keyboard/mouse.

If the problem is not resolved, proceed to the next step to begin troubleshooting the other USB devices attached to the system.

- 5 Power down all attached USB devices and disconnect them from the system.
- 6 Restart the system and, if your keyboard is functioning, enter the system setup program. Verify that all USB ports are enabled. See "Integrated Devices Screen" on page 48.

If your keyboard is not functioning, you can also use remote access. If the system is not accessible, see "System Board Jumpers" on page 151 for instructions on setting the NVRAM\_CLR jumper inside your system and restoring the BIOS to the default settings.

- 7 Reconnect and power on each USB device one at a time.
- 8 If a device causes the same problem, power down the device, replace the USB cable, and power up the device.  
If the problem persists, replace the device.  
If all troubleshooting fails, see "Getting Help" on page 157.

## Troubleshooting a Serial I/O Device

- 1 Turn off the system and any peripheral devices connected to the serial port.
- 2 Swap the serial interface cable with another working cable, and turn on the system and the serial device.  
If the problem is resolved, replace the interface cable.
- 3 Turn off the system and the serial device, and swap the device with a comparable device.
- 4 Turn on the system and the serial device.  
If the problem is resolved, replace the serial device.  
If the problem persists, see "Getting Help" on page 157.

## Troubleshooting a NIC

- 1 Run the appropriate online diagnostic test. See "Using Online Diagnostics" on page 147.
- 2 Restart the system and check for any system messages pertaining to the NIC controller.
- 3 Check the appropriate indicator on the NIC connector. See "NIC Indicator Codes" on page 19.
  - If the link indicator does not light, check all cable connections.
  - If the activity indicator does not light, the network driver files might be damaged or missing.  
Remove and reinstall the drivers if applicable. See the NIC's documentation.

- Change the auto-negotiation setting, if possible.
- Use another connector on the switch or hub.

If you are using a NIC card instead of an integrated NIC, see the documentation for the NIC card.

- 4 Ensure that the appropriate drivers are installed and the protocols are bound. See the NIC's documentation.
- 5 Enter the System Setup program and confirm that the NIC ports are enabled. See "Integrated Devices Screen" on page 48.
- 6 Ensure that the NICs, hubs, and switches on the network are all set to the same data transmission speed. See the documentation for each network device.
- 7 Ensure that all network cables are of the proper type and do not exceed the maximum length.

If all troubleshooting fails, see "Getting Help" on page 157.

## Troubleshooting a Wet System




**CAUTION: Many repairs may only be done by a certified service technician. You should only perform troubleshooting and simple repairs as authorized in your product documentation, or as directed by the online or telephone service and support team. Damage due to servicing that is not authorized by Dell is not covered by your warranty. Read and follow the safety instructions that came with the product.**

- 1 Turn off the system and attached peripherals, and disconnect the system from the electrical outlet.
- 2 Open the system. See "Opening the System" on page 66.
- 3 Disassemble components from the system. See "Installing System Components" on page 63.
  - Cooling shroud
  - Hard drives
  - SAS backplane


- VFlash media cards
  - USB memory keys
  - NIC hardware key
  - Expansion-card risers
  - Integrated storage controller card
  - iDRAC6 Express card
  - iDRAC6 Enterprise card
  - Power supplies
  - Fans
  - Processors and heat sinks
  - Memory modules
- 4** Let the system dry thoroughly for at least 24 hours.
  - 5** Reinstall the components you removed in step 3.
  - 6** Close the system. See "Closing the System" on page 67.
  - 7** Reconnect the system to the electrical outlet, and turn on the system and attached peripherals.  
If the system does not start properly, see "Getting Help" on page 157.
  - 8** If the system starts properly, shut down the system and reinstall all of the expansion cards that you removed. See "Installing an Expansion Card" on page 92.
  - 9** Run the appropriate online diagnostic test. See "Using Online Diagnostics" on page 147.  
If the tests fail, see "Getting Help" on page 157.

## Troubleshooting a Damaged System

 **CAUTION:** Many repairs may only be done by a certified service technician. You should only perform troubleshooting and simple repairs as authorized in your product documentation, or as directed by the online or telephone service and support team. Damage due to servicing that is not authorized by Dell is not covered by your warranty. Read and follow the safety instructions that came with the product.

- 1 Turn off the system and attached peripherals, and disconnect the system from the electrical outlet.
- 2 Open the system. See "Opening the System" on page 66.
- 3 Ensure that the following components are properly installed:
  - Expansion-card risers
  - Power supplies
  - Fans
  - Processors and heat sinks
  - Memory modules
  - Hard-drive carriers
  - Cooling shroud
- 4 Ensure that all cables are properly connected.
- 5 Close the system. See "Closing the System" on page 67.
- 6 Run the system board tests in the system diagnostics. See "Running the System Diagnostics" on page 147.  
If the tests fail, see "Getting Help" on page 157.

## Troubleshooting the System Battery

 **NOTE:** If the system is turned off for long periods of time (for weeks or months), the NVRAM may lose its system configuration information. This situation is caused by a defective battery.

- 1 Re-enter the time and date through the System Setup program. See "System Setup Options" on page 43.
- 2 Turn off the system and disconnect it from the electrical outlet for at least one hour.

- 3 Reconnect the system to the electrical outlet and turn on the system.
- 4 Enter the System Setup program.

If the date and time are not correct in the System Setup program, replace the battery. See "Replacing the System Battery" on page 112.



**CAUTION: Many repairs may only be done by a certified service technician. You should only perform troubleshooting and simple repairs as authorized in your product documentation, or as directed by the online or telephone service and support team. Damage due to servicing that is not authorized by Dell is not covered by your warranty. Read and follow the safety instructions that came with the product.**

If the problem is not resolved by replacing the battery, see "Getting Help" on page 157.



**NOTE:** Some software may cause the system time to speed up or slow down. If the system seems to operate normally except for the time kept in the System Setup program, the problem may be caused by software rather than by a defective battery.

## Troubleshooting Power Supplies

- 1 Identify the faulty power supply by the power supply's fault indicator. See "Power Indicator Codes" on page 19.



**CAUTION: At least one power supply must be installed for the system to operate. Operating the system with only one power supply installed for extended periods of time can cause the system to overheat.**

- 2 Reseat the power supply by removing and reinstalling it. See "Power Supplies" on page 79.




**NOTE:** After installing a power supply, allow several seconds for the system to recognize the power supply and to determine if it is working properly. The power indicator turns green to signify that the power supply is functioning properly.

If the problem persists, replace the faulty power supply.

- 3 If all troubleshooting fails, see "Getting Help" on page 157.


# Troubleshooting System Cooling Problems

 **CAUTION: Many repairs may only be done by a certified service technician. You should only perform troubleshooting and simple repairs as authorized in your product documentation, or as directed by the online or telephone service and support team. Damage due to servicing that is not authorized by Dell is not covered by your warranty. Read and follow the safety instructions that came with the product.**

Ensure that none of the following conditions exist:

- System cover, cooling shroud, drive blank, power supply blank, or front or back filler panel is removed.
- Ambient temperature is too high.
- External airflow is obstructed.
- Cables inside the system obstruct airflow.
- An individual cooling fan is removed or has failed. See "Troubleshooting a Fan" on page 136.
- The expansion card installation guidelines have not been followed. See "Expansion Card Installation Guidelines" on page 90.

## Troubleshooting a Fan

 **CAUTION: Many repairs may only be done by a certified service technician. You should only perform troubleshooting and simple repairs as authorized in your product documentation, or as directed by the online or telephone service and support team. Damage due to servicing that is not authorized by Dell is not covered by your warranty. Read and follow the safety instructions that came with the product.**

- 1 Locate the faulty fan indicated by the diagnostic software.
- 2 Turn off the system and all attached peripherals.
- 3 Open the system. See "Opening the System" on page 66.
- 4 Reseat the fan's power cable.
- 5 Restart the system.

If the fan functions properly, close the system. See "Closing the System" on page 67.



- 6 If the fan does not function, turn off the system and install a new fan. See "Replacing a Cooling Fan" on page 79.
- 7 Restart the system.  
If the problem is resolved, close the system. See "Closing the System" on page 67.  
If the replacement fan does not operate, see "Getting Help" on page 157.

## Troubleshooting System Memory



**CAUTION: Many repairs may only be done by a certified service technician. You should only perform troubleshooting and simple repairs as authorized in your product documentation, or as directed by the online or telephone service and support team. Damage due to servicing that is not authorized by Dell is not covered by your warranty. Read and follow the safety instructions that came with the product.**



**NOTE:** Invalid memory configurations can cause your system to halt at startup without video output. See "General Memory Module Installation Guidelines" on page 83 and verify that your memory configuration complies with all applicable guidelines.

- 1 If the system is operational, run the appropriate online diagnostic test. See "Using Online Diagnostics" on page 147.  
If diagnostics indicates a fault, follow the corrective actions provided by the diagnostic program.
- 2 If the system is not operational, turn off the system and attached peripherals, and unplug the system from the power source. Wait at least 10 seconds and then reconnect the system to power.
- 3 Turn on the system and attached peripherals and note the messages on the screen.  
Go to step 14 if an error message appears indicating a fault with a specific memory module.
- 4 Enter the System Setup program and check the system memory setting. See "Memory Settings Screen" on page 45. Make any changes to the memory settings, if needed.  
If the memory settings match the installed memory but a problem is still indicated, go to step 14.

- 5** Turn off the system and attached peripherals, and disconnect the system from the electrical outlet.
- 6** Open the system. See "Opening the System" on page 66.
- 7** Remove the cooling shroud. See "Removing the Cooling Shroud" on page 68.
- 8** Check the memory channels and ensure that they are populated correctly. See "General Memory Module Installation Guidelines" on page 83.
- 9** Reseat the memory modules in their sockets. See "Installing Memory Modules" on page 87.
- 10** Replace the cooling shroud. See "Installing the Cooling Shroud" on page 69.
- 11** Close the system. See "Closing the System" on page 67.
- 12** Reconnect the system to its electrical outlet, and turn on the system and attached peripherals.
- 13** Enter the System Setup program and check the system memory setting. See "Memory Settings Screen" on page 45.  
If the problem is not resolved, proceed with the next step.
- 14** Turn off the system and attached peripherals, and disconnect the system from the power source.
- 15** Open the system. See "Opening the System" on page 66.
- 16** If a diagnostic test or error message indicates a specific memory module as faulty, swap or replace the module.
- 17** To troubleshoot an unspecified faulty memory module, replace the memory module in the first DIMM socket with a module of the same type and capacity. See "Installing Memory Modules" on page 87.
- 18** Close the system. See "Closing the System" on page 67.
- 19** Reconnect the system to its electrical outlet, and turn on the system and attached peripherals.

- 20 As the system boots, observe any error message that appears and the diagnostic indicators on the front of the system.
- 21 If the memory problem is still indicated, repeat step 14 through step 20 for each memory module installed.  
If the problem persists after all memory modules have been checked, see "Getting Help" on page 157.


## Troubleshooting an Internal USB Key



**CAUTION: Many repairs may only be done by a certified service technician. You should only perform troubleshooting and simple repairs as authorized in your product documentation, or as directed by the online or telephone service and support team. Damage due to servicing that is not authorized by Dell is not covered by your warranty. Read and follow the safety instructions that came with the product.**

- 1 Enter the System Setup program and ensure that the USB key port is enabled. See "Integrated Devices Screen" on page 48.
- 2 Turn off the system and attached peripherals.
- 3 Open the system. See "Opening the System" on page 66.
- 4 Locate the USB key and reseal it. See "Internal USB Memory Key" on page 106.
- 5 Close the system. See "Closing the System" on page 67.
- 6 Turn on the system and attached peripherals and check if the USB key is functioning.
- 7 If the problem is not resolved, repeat step 2 and step 3.
- 8 Insert a different USB key that you know works properly.
- 9 Close the system. See "Closing the System" on page 67.
- 10 Turn on the system and attached peripherals and check if the USB key is functioning.
- 11 Reconnect the system to the electrical outlet, and turn on the system and attached peripherals.  
If the problem is not resolved, see "Getting Help" on page 157.

# Troubleshooting a Hard Drive

 **CAUTION:** Many repairs may only be done by a certified service technician. You should only perform troubleshooting and simple repairs as authorized in your product documentation, or as directed by the online or telephone service and support team. Damage due to servicing that is not authorized by Dell is not covered by your warranty. Read and follow the safety instructions that came with the product.

 **CAUTION:** This troubleshooting procedure can destroy data stored on the hard drive. Before you proceed, back up all files on the hard drive.


- 1 Run the appropriate online diagnostics test. See "Using Online Diagnostics" on page 147.

Depending on the results of the diagnostics test, proceed as needed through the following steps.

- 2 If installed, remove the front bezel. See "Removing the Front Bezel" on page 65.
- 3 If your system has a RAID controller and your hard drives are configured in a RAID array, perform the following steps:
  - a Restart the system and enter the host adapter configuration utility program by pressing <Ctrl><R> for a PERC controller or <Ctrl><C> for a SAS controller.  
See the documentation supplied with the host adapter for information about the configuration utility.
  - b Ensure that the hard drive(s) have been configured correctly for the RAID array.
  - c Take the hard drive offline and reseal the drive. See "Removing a Hot-Swap Hard Drive" on page 70
  - d Exit the configuration utility and allow the system to boot to the operating system.
- 4 Ensure that the required device drivers for your controller card are installed and are configured correctly. See the operating system documentation for more information.

- 5 Restart the system, enter the System Setup program, and verify that the controller is enabled and the drives appear in the System Setup program. See "Entering the System Setup Program" on page 42.  
If the problem persists, see "Getting Help" on page 157.
- 6 Replace the front bezel. See "Installing the Front Bezel" on page 66.

## Troubleshooting an Internal Hard Drive

 **CAUTION: Many repairs may only be done by a certified service technician. You should only perform troubleshooting and simple repairs as authorized in your product documentation, or as directed by the online or telephone service and support team. Damage due to servicing that is not authorized by Dell is not covered by your warranty. Read and follow the safety instructions that came with the product.**

 **CAUTION: This troubleshooting procedure can destroy data stored on the hard drive. Before you proceed, back up all files on the hard drive.**

- 1 Run the appropriate online diagnostics test. See "Using Online Diagnostics" on page 147.  
Depending on the results of the diagnostics test, proceed as needed through the following steps.
- 2 If your system has a RAID controller and your hard drives are configured in a RAID array, perform the following steps:
  - a Restart the system and enter the host adapter configuration utility program by pressing <Ctrl><R> for a PERC controller or <Ctrl><C> for a SAS controller.  
See the documentation supplied with the host adapter for information about the configuration utility.
  - b Ensure that the hard drive(s) have been configured correctly for the RAID array.
  - c Take the hard drive offline and reseal the drive. See "Removing an Internal Hard Drive Bay" on page 73
  - d Exit the configuration utility and allow the system to boot to the operating system.

- 3 Ensure that the required device drivers for your controller card are installed and are configured correctly. See the operating system documentation for more information.
- 4 Restart the system, enter the System Setup program, and verify that the controller is enabled and the drives appear in the System Setup program. See "Entering the System Setup Program" on page 42.  
If the problem persists, see "Getting Help" on page 157.
- 5 Replace the front bezel. See "Installing the Front Bezel" on page 66.

## Troubleshooting a Storage Controller



**NOTE:** When troubleshooting a SAS or SAS RAID controller, also see the documentation for your operating system and the controller.

- 1 Run the appropriate online diagnostic test. See "Using Online Diagnostics" on page 147.
- 2 Enter the System Setup program and ensure that the SAS or PERC controller is enabled. See "Entering the System Setup Program" on page 42.
- 3 Restart the system and press the applicable key sequence to enter the configuration utility program.
  - <Ctrl><C> for a SAS controller
  - <Ctrl><R> for a PERC controller

See the controller's documentation for information about configuration settings.

- 4 Check the configuration settings, make any necessary corrections, and restart the system.



**CAUTION:** Many repairs may only be done by a certified service technician. You should only perform troubleshooting and simple repairs as authorized in your product documentation, or as directed by the online or telephone service and support team. Damage due to servicing that is not authorized by Dell is not covered by your warranty. Read and follow the safety instructions that came with the product.

- 5 If installed, remove the front bezel. See "Removing the Front Bezel" on page 65.

- 6 Turn off the system and attached peripherals, and disconnect the system from its electrical outlet.
- 7 Open the system. See "Opening the System" on page 66.
- 8 Ensure that the controller card is firmly seated into the system board connector. See "Installing an Expansion Card" on page 92.
- 9 If you have a battery-cached PERC controller, ensure that the RAID battery is properly connected and, if applicable, the memory module on the PERC card is properly seated.
- 10 Verify that the cable connections between the SAS backplane(s) and the integrated storage controller are correct. See "Installing the Storage Controller Card" on page 100 and Figure 3-15.  
  
Ensure that the cables are firmly connected to the storage controller and the SAS backplane board.
- 11 Close the system. See "Closing the System" on page 67.
- 12 Reconnect the system to its electrical outlet, and turn on the system and attached peripherals.  
  
If the problem persists, see "Getting Help" on page 157.
- 13 Replace the front bezel. See "Installing the Front Bezel" on page 66.

## Troubleshooting Expansion Cards



**CAUTION:** Many repairs may only be done by a certified service technician. You should only perform troubleshooting and simple repairs as authorized in your product documentation, or as directed by the online or telephone service and support team. Damage due to servicing that is not authorized by Dell is not covered by your warranty. Read and follow the safety instructions that came with the product.




**NOTE:** When troubleshooting an expansion card, see the documentation for your operating system and the expansion card.

- 1 Run the appropriate online diagnostic test. See "Using Online Diagnostics" on page 147.
- 2 If installed, remove the front bezel. See "Removing the Front Bezel" on page 65.

- 3** Turn off the system and attached peripherals, and disconnect the system from the electrical outlet.
- 4** Open the system. See "Opening the System" on page 66.
- 5** Ensure that each expansion card is firmly seated in its connector. See "Installing an Expansion Card" on page 92.
- 6** Ensure that each expansion-card riser is firmly seated in its connector. See "Installing an Expansion-Card Riser" on page 97.
- 7** Close the system. See "Closing the System" on page 67.
- 8** Reconnect the system to the electrical outlet, and turn on the system and attached peripherals.
- 9** If problem is not resolved, turn off the system and attached peripherals, and disconnect the system from the electrical outlet.
- 10** Open the system. See "Opening the System" on page 66.
- 11** Remove all expansion cards installed in the system. See "Removing an Expansion Card" on page 94.
- 12** Close the system. See "Closing the System" on page 67.
- 13** Reconnect the system to the electrical outlet, and turn on the system and attached peripherals.
- 14** Run the appropriate online diagnostic test. See "Running the System Diagnostics" on page 147.  
If the tests fail, see "Getting Help" on page 157.
- 15** For each expansion card you removed in step 11, perform the following steps:
  - a** Turn off the system and attached peripherals, and disconnect the system from the electrical outlet.
  - b** Open the system. See "Opening the System" on page 66.
  - c** Reinstall one of the expansion cards.
  - d** Close the system. See "Closing the System" on page 67.
  - e** Run the appropriate diagnostic test.  
If the tests fail, see "Getting Help" on page 157.



## Troubleshooting Processors

 **CAUTION: Many repairs may only be done by a certified service technician. You should only perform troubleshooting and simple repairs as authorized in your product documentation, or as directed by the online or telephone service and support team. Damage due to servicing that is not authorized by Dell is not covered by your warranty. Read and follow the safety instructions that came with the product.**

- 1** Run the appropriate online diagnostics test. See "Using Online Diagnostics" on page 147.
- 2** Turn off the system and attached peripherals, and disconnect the system from the electrical outlet.
- 3** Open the system. See "Opening the System" on page 66.
- 4** Ensure that each processor and heat sink are properly installed. See "Installing a Processor" on page 111.
- 5** Close the system. See "Closing the System" on page 67.
- 6** Reconnect the system to the electrical outlet, and turn on the system and attached peripherals.
- 7** Run the appropriate online diagnostic test. See "Running the System Diagnostics" on page 147.
- 8** Turn off the system and attached peripherals, and disconnect the system from the electrical outlet.
- 9** Open the system. See "Opening the System" on page 66.
- 10** Remove processor 2. See "Removing a Processor" on page 107.
- 11** Close the system. See "Closing the System" on page 67.
- 12** Reconnect the system to the electrical outlet, and turn on the system and attached peripherals.

- 13** Run the appropriate online diagnostic test. See "Running the System Diagnostics" on page 147.

If the test fails, the processor is faulty. See "Getting Help" on page 157.

- 14** Turn off the system and attached peripherals, and disconnect the system from the electrical outlet.
- 15** Open the system. See "Opening the System" on page 66.
- 16** Replace processor 1 with processor 2. See "Installing a Processor" on page 111.
- 17** Repeat step 11 through step 13.  
If you have tested both the processors and the problem persists, the system board is faulty. See "Getting Help" on page 157.

# Running the System Diagnostics

If you experience a problem with your system, run the diagnostics before calling for technical assistance. The purpose of the diagnostics is to test your system's hardware without requiring additional equipment or risking data loss. If you are unable to fix the problem yourself, service and support personnel can use diagnostics test results to help you solve the problem.

## Using Online Diagnostics

To assess a system problem, first use the Online Diagnostics. Online Diagnostics is a suite of diagnostic programs, or test modules, that include diagnostic tests on chassis and storage components such as hard drives, physical memory, communications and printer ports, NICs, CMOS, and more. If you are unable to identify the problem using the Online Diagnostics, then use the embedded system diagnostics.



**NOTE:** The files required to run Online Diagnostics are available at [dell.com/support](http://dell.com/support).

The embedded system diagnostics can be launched using Lifecycle Controller. For more information about using the controller, see Lifecycle Controller documentation on the Dell Support website at [dell.com/support/manuals](http://dell.com/support/manuals).

## Embedded System Diagnostics Features

The embedded system diagnostics provides a series of menus and options for particular device groups or devices. The system diagnostics menus and options allow you to:

- Run tests individually or collectively
- Control the sequence of tests
- Repeat tests
- Display, print, or save test results
- Temporarily suspend testing if an error is detected or terminate testing when a user-defined error limit is reached

- View help messages that briefly describe each test and its parameters
- View status messages that inform you if tests are completed successfully
- View error messages that inform you of problems encountered during testing

## When to Use the Embedded System Diagnostics

If a major component or device in the system does not operate properly, component failure may be indicated. As long as the processor and the system's input/output devices are functioning, you can use the system diagnostics to help identify the problem.

## Running the Embedded System Diagnostics

You can run the embedded system diagnostics program from the USC main screen.



**CAUTION: Use the system diagnostics to test only your system. Using this program with other systems may cause invalid results or error messages.**

- 1 As the system boots, press <F10> to start the controller.
- 2 Click **Diagnostics** in the left pane and click **Launch Diagnostics** in the right pane.

The **Diagnostics** menu allows you to run all or specific diagnostics tests or to exit.

# Embedded System Diagnostics Testing Options

Click the testing option in the **Main Menu** window.

Testing Option	Function
Express Test	Performs a quick check of the system. This option runs device tests that do not require user interaction.
Extended Test	Performs a more thorough check of the system. This test can take an hour or longer.
Custom Test	Tests a particular device.
Information	Displays test results.

## Using the Custom Test Options

When you select **Custom Test** in the **Main Menu** window, the **Customize** window allows you to select the device(s) to be tested, select specific options for testing, and view the test results.

### Selecting Devices for Testing

The left side of the **Customize** window lists devices that can be tested. Click the (+) next to a device or module to view its components. Click (+) on any component to view the tests that are available. Clicking a device, rather than its components, selects all of the components of the device for testing.



**NOTE:** After you select all the devices and components that you want to test, highlight **All Devices** and then click **Run Tests**.

### Selecting Diagnostics Options

From the **Diagnostics Options** area, select the test(s) you want to run on a device:

- **Non-Interactive Tests Only** — Runs only tests that require no user intervention.
- **Quick Tests Only** — Runs only the quick tests on the device.
- **Show Ending Timestamp** — Time stamps the test log.

- **Test Iterations** — Selects the number of times the test is run.
- **Log output file pathname** — Enables you to specify the diskette drive or USB memory key where the test log file is saved. You cannot save the file to a hard drive.

## Viewing Information and Results

The following tabs in the **Customize** window provide information about the test and the test results:

- **Results** — Displays the test that ran and the result.
- **Errors** — Displays any errors that occurred during the test.
- **Help** — Displays information about the currently selected device, component, or test.
- **Configuration** — Displays basic configuration information about the currently selected device.
- **Parameters** — Displays parameters that you can set for the test.





# Jumpers and Connectors

This section provides specific information about the system jumpers. It also provides some basic information on jumpers and switches and describes the connectors on the various boards in the system.

## System Board Jumpers

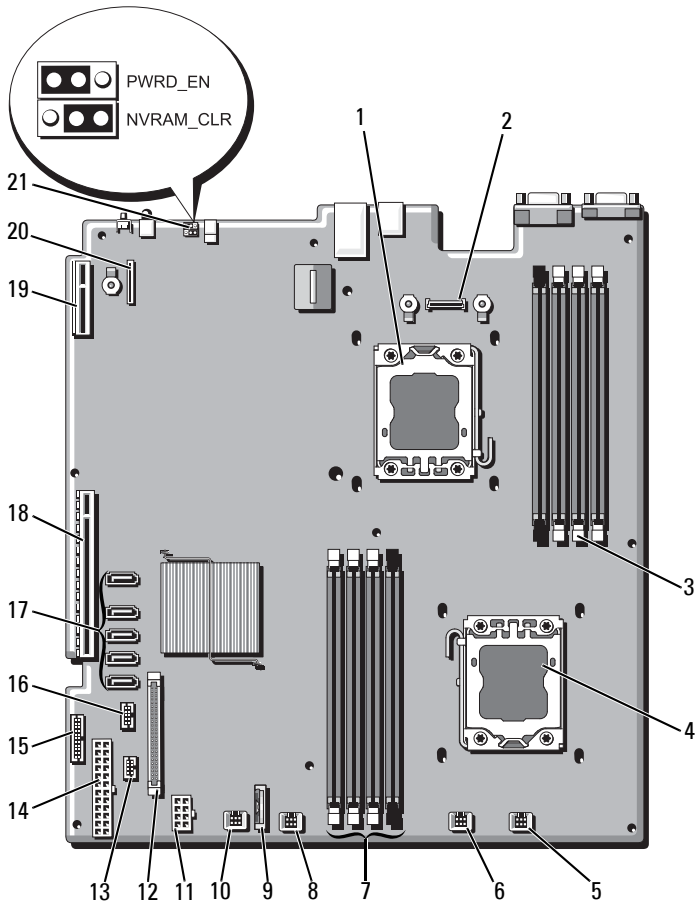
Figure 6-1 shows the location of the configuration jumpers on the system board. Table 6-1 lists the jumper settings.

**Table 6-1. System Board Jumper Settings**

Jumper	Setting	Description
PWRD_EN	 (default)	The password feature is enabled (pins 2-4)
		The password feature is disabled, and iDRAC6 local access is unlocked at the next AC power cycle (pins 4-6)
NVRAM_CLR	 (default)	The configuration settings are retained at system boot (pins 3-5)
		The configuration settings are cleared at the next system boot (pins 1-3)

# System Board Connectors

Figure 6-1. System Board Connectors





**Table 6-2. System Board Connectors**


<b>Item</b>	<b>Connector</b>	<b>Description</b>
1	CPU2	Processor 2
2	iDRAC6 Enterprise	iDRAC6 Enterprise card connector
3	B4	Memory module slot B4
	B1	Memory module slot B1 (white release lever)
	B2	Memory module slot B2 (white release lever)
	B3	Memory module slot B3 (white release lever)
4	CPU1	Processor 1
5	FAN1	Cooling fan 1 connector
6	FAN2	Cooling fan 2 connector
7	A3	Memory module slot A3 (white release lever)
	A2	Memory module slot A2 (white release lever)
	A1	Memory module slot A1 (white release lever)
	A4	Memory module slot A4
8	FAN3	Cooling fan 3 connector
9	BATTERY	System battery
10	FAN4	Cooling fan 4 connector
11	I2V	8-pin power connector
12	FP_CONN	control panel connector
13	BP_CONN	Backplane power connector
14	PWR_CONN	24-pin power connector
15	PDB_I2C	Power distribution board connector
16	FP_USB_CONN	Backplane USB connector
17	SATA_A	SATA connector A
	SATA_B	SATA connector B
	SATA_C	SATA connector C
	SATA_D	SATA connector D
	SATA_E	SATA connector E

**Table 6-2. System Board Connectors (continued)**

Item	Connector	Description
18	RISER	Expansion-card riser connector
19	RISER	Expansion-card riser connector
20	iDRAC6 Express	iDRAC6 Express card connector
21	PSWD_EN	Password enable jumper
	NVRM_CLR	NVRAM clear jumper

## Disabling a Forgotten Password

The system's software security features include a system password and a setup password, which are discussed in detail in "Using the System Setup Program and UEFI Boot Manager" on page 41. The password jumper enables these password features or disables them and clears any password(s) currently in use.

 **CAUTION: Many repairs may only be done by a certified service technician. You should only perform troubleshooting and simple repairs as authorized in your product documentation, or as directed by the online or telephone service and support team. Damage due to servicing that is not authorized by Dell is not covered by your warranty. Read and follow the safety instructions that came with the product.**

- 1 Turn off the system, including any attached peripherals, and disconnect the system from the electrical outlet.
- 2 Open the system. See "Opening the System" on page 66.
- 3 Move the password jumper to the "disabled" position to clear the password. See Table 6-1.

See Figure 6-1 to locate the password jumper on the system board.

- 4 Close the system. See "Closing the System" on page 67.
- 5 Reconnect your system and peripherals to their electrical outlets, and turn on the system.

The existing passwords are not disabled (erased) until the system boots with the password jumper plug in the "disabled" position. However, before you assign a new system and/or setup password, you must return the jumper plug to the enabled position.



**NOTE:** If you assign a new system and/or setup password with the jumper plug still in the "disabled" position, the system disables the new password(s) the next time it boots.

- 6** Turn off the system, including any attached peripherals, and disconnect the system from the electrical outlet.
- 7** Open the system. See "Opening the System" on page 66.
- 8** Move the password jumper back to the enabled position to restore the password function. See Table 6-1.
- 9** Close the system. See "Closing the System" on page 67.
- 10** Reconnect your system and peripherals to their electrical outlets, and turn on the system.
- 11** Assign a new system and/or setup password.

To assign a new password using the System Setup program, see "System and Setup Password Features" on page 56.



# Getting Help

## Contacting Dell

For customers in the United States, call 800-WWW-DELL (800-999-3355).



**NOTE:** If you do not have an active Internet connection, you can find contact information on your purchase invoice, packing slip, bill, or Dell product catalog.

Dell provides several online and telephone-based support and service options. Availability varies by country and product, and some services may not be available in your area. To contact Dell for sales, technical support, or customer service issues:

- 1 Visit [dell.com/support](https://dell.com/support).
- 2 Verify your country or region in the **Choose A Country/Region** drop-down menu at the bottom of the page.
- 3 Click **Contact Us** on the left side of the page.
- 4 Select the appropriate service or support link based on your need.
- 5 Choose the method of contacting Dell that is convenient for you.



# Index

## A

Advanced ECC memory mode, 84

## B

back-panel features, 16

batteries  
troubleshooting, 134

battery  
troubleshooting the RAID card battery, 142

battery (system)  
replacing, 112

bezel, 65

blank  
hard drive, 69  
power supply, 82

## C

connectors  
system board, 152  
USB, 12  
video, 12

contacting Dell, 157

control panel assembly  
features, 12

installing, 118

cooling fan  
replacing, 79

cooling fans  
troubleshooting, 136

cooling shroud  
installing, 69  
removing, 68

cover  
closing, 67  
opening, 66

## D

damaged systems  
troubleshooting, 134

Dell  
contacting, 157

Dell PowerEdge Diagnostics  
using, 147

diagnostics  
advanced testing options, 149  
testing options, 149  
using Dell PowerEdge Diagnostics, 147  
when to use, 148

DIMMs  
*See* memory modules (DIMMs).

- drive blank
  - installing, 70
  - removing, 69

## E

- Embedded System Management, 60
- error messages, 42
- expansion card
  - troubleshooting, 143
- expansion cards
  - installing, 92
  - removing, 94
  - SAS controller, 98
- expansion slots, 90

## F

- front-panel features, 12

## G

- guidelines
  - connecting external devices, 18
  - expansion card installation, 90
  - memory installation, 83

## H

- hard drive
  - troubleshooting, 140-141

- hard drives (hot-swappable)
  - installing, 71
- heat sink, 109

## I

- iDRAC card
  - installing, 101, 103
  - system port, 16
- iDRAC Configuration Utility, 60
- indicators
  - back-panel, 16
  - front-panel, 12
  - NIC, 19
  - power, 12, 19
- installing
  - control panel assembly, 118
  - cooling shroud, 69
  - expansion card, 92
  - hard drive (hot-swappable), 71
  - hard drive blank, 70
  - iDRAC card, 101, 103
  - memory modules, 87
  - power supply blank, 82
  - processor, 111
  - SAS backplane board, 121
  - SAS controller, 100

## J

- jumpers (system board), 151



## **K**

keyboards  
troubleshooting, 130

## **M**

memory  
troubleshooting, 137

memory key connector  
(USB), 106

Memory Mirroring memory  
mode, 84

memory mode  
Advanced ECC, 84  
memory mirroring, 84  
Optimizer, 84

memory modules (DIMMs)  
configuring, 83  
installing, 87  
removing, 89  
UDIMM configurations, 91-92

messages  
error messages, 42  
system, 23  
warning, 39

## **N**

NIC  
indicators, 19

NICs  
back-panel connectors, 16

troubleshooting, 131

## **O**

Optimizer memory mode, 84

## **P**

password  
setup, 58  
system, 56

passwords  
disabling, 154

phone numbers, 157

POST  
accessing system features, 11

power indicators, 12, 19

power supplies  
indicators, 19  
removing, 80  
replacing, 81

power supply blank, 82

processor  
installing, 111  
removing, 107  
*See* processor.  
upgrades, 107

processors  
troubleshooting, 145

## R

remote access controller  
  *See* iDRAC.

removing  
  bezel, 65  
  cooling shroud, 68  
  cover, 66  
  expansion card, 94  
  hard drive blank, 69  
  memory modules, 89  
  power supply, 80  
  power supply blank, 82  
  processor, 107  
  SAS backplane board, 118  
  SAS controller, 98  
  system board, 125

replacing  
  cooling fan, 79  
  power supply, 81  
  system battery, 112

## S

safety, 129

SAS backplane board  
  installing, 121  
  removing, 118

SAS controller card  
  installing, 100  
  removing, 98

SAS controller daughter card  
  troubleshooting, 142

SAS hard drive. *See* hard drive.

SAS RAID controller daughter  
  card  
  troubleshooting, 142

SATA hard drive. *See* hard drive.

SD card  
  troubleshooting, 139

securing your system, 52, 57

setup password, 58

slots  
  *See* expansion slots.

startup  
  accessing system features, 11

support  
  contacting Dell, 157

system  
  closing, 67  
  opening, 66

system board  
  connectors, 152  
  installing, 127  
  jumpers, 151  
  removing, 125

system cooling  
  troubleshooting, 136

system features  
  accessing, 11

system messages, 23

system password, 56

system setup program  
  boot settings, 47  
  integrated devices options, 48

- keystroke to enter, 42
- memory settings, 45
- PCI IRQ assignments, 49
- power management options, 51
- processor settings, 45
- SATA settings, 47
- serial communications
  - options, 49
- system security options, 52
- system setup screens
  - main, 43

## T

- telephone numbers, 157
- TPM security, 52
- troubleshooting
  - battery, 134
  - cooling fans, 136
  - damaged system, 134
  - expansion card, 143
  - external connections, 129
  - hard drive, 140-141
  - internal hard drive, 141
  - internal USB key, 139
  - keyboard, 130
  - memory, 137
  - NIC, 131
  - processors, 145
  - SAS RAID controller daughter card, 142
  - SD card, 139
  - system cooling, 136
  - video, 130

- wet system, 132

## U

- UEFI Boot Manager
  - entering, 54
  - main screen, 55
  - System Utilities screen, 56
  - UEFI Boot Settings screen, 55

- Unified Server Configurator
  - Lifecycle Controller, 60

- upgrades
  - processor, 107

- USB
  - front-panel connectors, 12
  - internal connector for memory key, 106

- USB device
  - back-panel connectors, 16

- USB key
  - troubleshooting, 139

## V

- video
  - back-panel connector, 16
  - front-panel connectors, 12
  - troubleshooting, 130

## W

- warning messages, 39

warranty, 40

wet system

troubleshooting, 132

## Free Manuals Download Website

<http://myh66.com>

<http://usermanuals.us>

<http://www.somanuals.com>

<http://www.4manuals.cc>

<http://www.manual-lib.com>

<http://www.404manual.com>

<http://www.luxmanual.com>

<http://aubethermostatmanual.com>

Golf course search by state

<http://golfingnear.com>

Email search by domain

<http://emailbydomain.com>

Auto manuals search

<http://auto.somanuals.com>

TV manuals search

<http://tv.somanuals.com>