

IMPORTANT:
Read Before Using

IMPORTANT :
Lire avant usage

IMPORTANTE:
Leer antes de usar



Operating/Safety Instructions
Consignes de fonctionnement/sécurité
Instrucciones de funcionamiento y seguridad

335



DREMEL®

P.O. Box 081126 Racine, WI 53408-1126

**Call Toll Free for
Consumer Information
& Service Locations**

**Pour obtenir des informations
et les adresses de nos centres
de service après-vente,
appelez ce numéro gratuit**

**Llame gratis para
obtener información
para el consumidor y
ubicaciones de servicio**

1-800-4-DREMEL (1-800-437-3635) www.dremel.com

**For English Version
See page 2**

**Version française
Voir page 11**

**Versión en español
Ver la página 20**

Power Tool Safety Rules



WARNING

Read and understand all instructions. Failure to follow all instructions listed below, may result in electric shock, fire and/or serious personal injury.

SAVE THESE INSTRUCTIONS

Make sure to read and understand the Owner's Manual for your Dremel Rotary Tool

**Attachment for use with Dremel Rotary Tool Models
100, 200, 275, 285, 300, 395, 398, 400, 3000, 4000, 8200, 8220 & 4200**

Safety Rules for Routers

Hold tool by insulated gripping surfaces when performing an operation where the cutting tool may contact hidden wiring or its own cord. Contact with a "live" wire will make exposed metal parts of the tool "live" and shock the operator. If cutting into existing walls or other blind areas where electrical wiring may exist is unavoidable, disconnect all fuses or circuit breakers feeding this worksite.

Always make sure the work surface is free from nails and other foreign objects. Cutting into a nail can cause the bit and the tool to jump and damage the bit.

Never hold the workpiece in one hand and the tool in the other hand when in use. Never place hands near or below cutting surface. Clamping the material and guiding the tool with both hands is safer.

Never place tool with bit protruding through base on top of bench or work surface. Lay the tool on its side or retract the bit before setting on bench or work surface. Protruding cutting bit may cause tool to jump.

Always wear safety goggles and dust mask. Use only in well ventilated area. Using personal safety devices and working in safe environment reduces risk of injury.

After changing the bits or making any adjustments, make sure the collet nut and any other adjustment devices are securely tightened. Loose adjustment device can unexpectedly shift, causing loss of control. Loose rotating components will be violently thrown.

Never start the tool when the bit is engaged in the material. The bit cutting edge may grab the material causing loss of control of the cutter.

Always hold the tool with two hands during startup. The reaction torque of the motor can cause the tool to twist.

The direction of feeding the bit into the material is very important and it relates to the direction of bit rotation. When viewing the tool from the top, the bit rotates clockwise. Feed direction of cutting must be counterclockwise. NOTE: Inside and outside cuts will require different feed direction. Refer to section on feeding the router. Feeding the tool in the wrong direction causes the cutting edge of the bit to climb out of the workpiece and pull the tool in the direction of the feed.

Always use the tool with the router base securely attached and positioned flat against material being cut. Having the base securely positioned on the material improves the stability and control of your tool.

Never use dull or damaged bits. Sharp bits must be handled with care. Damaged bits can snap during use. Dull bits require more force to push the tool, possibly causing the bit to break.

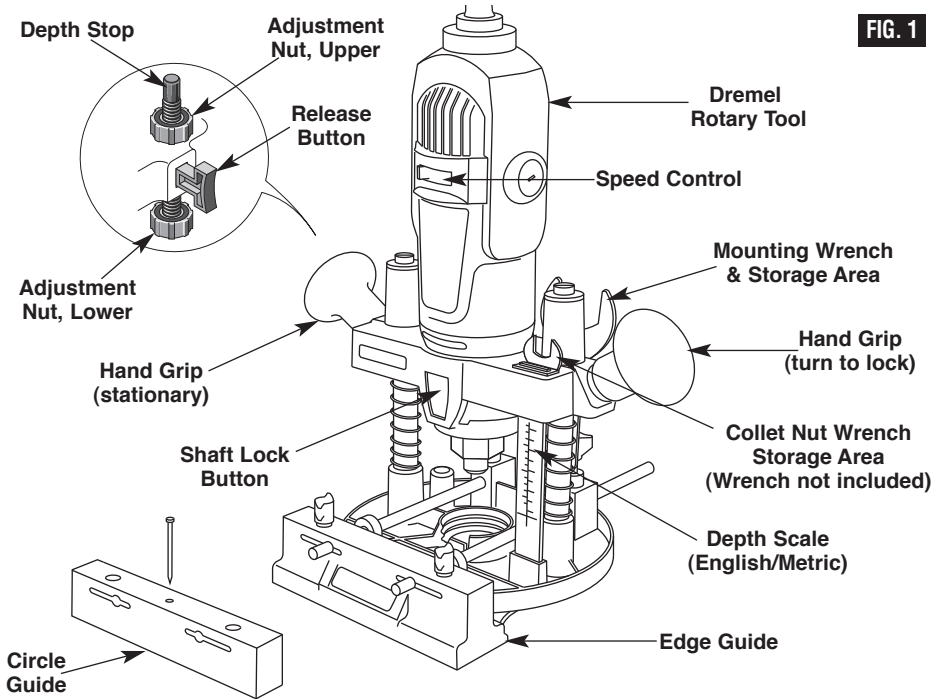
Never touch the bit during or immediately after use. After use, the bit is too hot to be touched by bare hands.

Never lay the tool down until the motor has come to complete stop. The spinning bit can grab the surface and pull the tool out of your control.

Do not use the tool for drilling purposes. This tool is not intended to be used with drill bits.

Never use bits that have a cutting diameter greater than the opening in the base.

Operating Controls



Assembling Plunge Router Attachment to your Tool

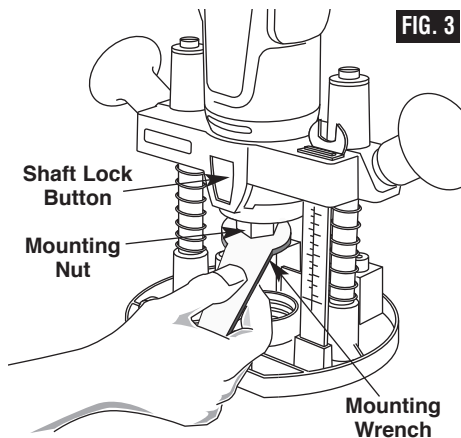
ATTACHMENT FOR USE WITH DREMEL ROTARY TOOL MODELS 100, 200, 275, 285, 300, 395, 398, 400, 3000, 4000, 8200, 8220 & 4200.

⚠ WARNING Disconnect the plug from the power source before making any assembly, adjustments or changing accessories. Such preventive safety measures reduce the risk of starting the tool accidentally.

1. Remove collet nut, then remove housing cap from your rotary tool and set housing cap aside (Fig. 2). The housing cap must be reinstalled when this attachment is not used. Once housing cap has been removed, reassemble the collet nut.



2. Place tool into your router attachment with the shaft lock button facing forward as shown (Fig. 3).
3. Thread mounting nut clockwise onto the threaded portion of your Rotary Tool and securely tighten with the mounting wrench provided.



Operating Instructions

ATTACHMENT FOR USE WITH DREMEL ROTARY TOOL MODELS 100, 200, 275, 285, 300, 395, 398, 400, 3000, 4000, 8200, 8220 & 4200.

ATTENTION: This attachment will convert Dremel Rotary Tool to a Plunge Router for freehand routing, edging, grooving, and

circular cuts. The router attachment comes assembled ready for freehand or pilot bit routing.

⚠ WARNING This Router Attachment is not intended for use under a router or saw table.

Inserting the Router Bit

The router bits are held in the tool by a collet system. **The bit may be installed before or after the rotary tool is installed in the attachment.**

1. Depress and hold the shaft lock button while rotating the collet nut and shaft. Continue to rotate the collet nut and shaft until the lock engages and holds the shaft (Fig. 4).
2. Use the wrench from your Dremel Rotary Tool and turn the collet nut counter-clockwise to loosen it.
3. Release the shaft lock button.

4. Insert the router bit into the collet as deep as possible to ensure proper gripping of the bit and to minimize run out. Do not insert the bit so far that bit flutes touch the collet or collet nut to avoid chipping or cracking the bit.

NOTE: Never place the tool with bit protruding through base on top of bench or work surface. Lay the tool on its side or retract the bit before setting on bench or work surface. Protruding cutting bit may cause tool to jump.

5. Re-engage the shaft lock button and tighten the collet nut; first by hand, then using the wrench until bit is held securely.

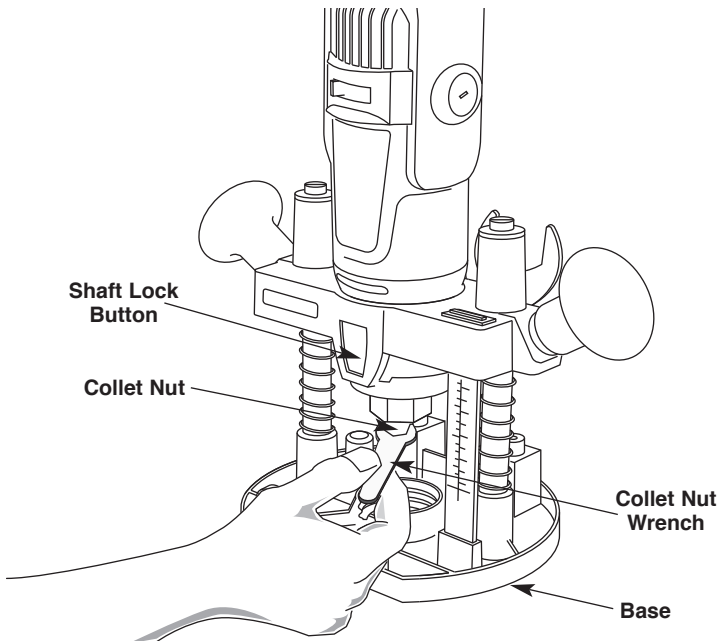


FIG. 4

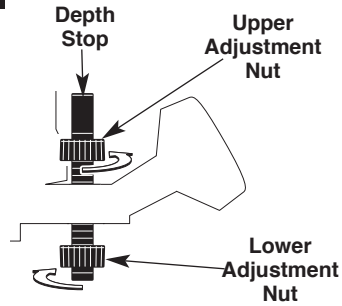
Adjusting Routing Depth

NOTE: When making deep cuts, especially plunge cuts away from the edge of the workpiece, it is recommended to make several successive cuts progressively deeper using the depth adjustment and depth scale rather than making one single deep cut.

The depth limiter can be adjusted for two depths.

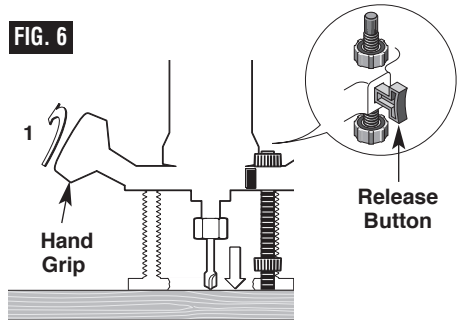
1. Place your Dremel Rotary Tool and Router assembly on the workpiece.
2. Turn the upper adjustment nut upward and turn the lower adjustment nut downward so depth stop is free to move (Fig. 5).

FIG. 5



3. Loosen the locking hand grip (Fig. 6). Slowly lower the tool until the router bit just touches the workpiece.
4. Tighten the locking hand grip to lock the tool in place.
5. Press and hold the release button so depth stop touches the router base.

FIG. 6



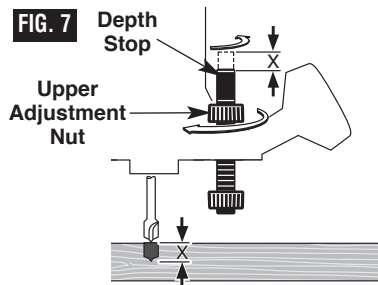
1st Routing Depth

6. Turn the depth stop upwards so that measurement X equals the first desired routing depth (Fig. 7).

NOTE: 1 turn equals .06" (1.5 mm)

7. Turn the upper adjustment nut down snug against the router frame.

FIG. 7

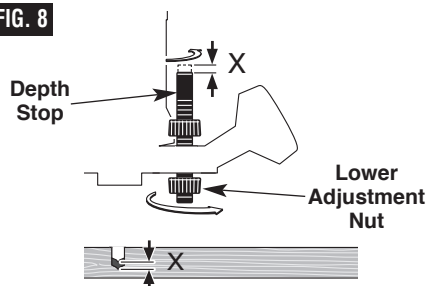


2nd Routing Depth

8. Turn the depth stop upwards so that measurement X equals the second desired routing depth. Make sure upper adjustment nut turns with the depth stop, so it rises away from router frame (Fig. 8).
9. Turn the lower adjustment nut up snug against the router frame.

NOTE: The upper adjustment nut must remain stationary when tightening the lower adjustment nut.

FIG. 8



10. Press the release button to select the 1st or 2nd routing depth (Fig. 9).

NOTE: The adjustment of each routing depth should be checked with a trial cut and re-adjusted as necessary.

When routing is complete, loosen the hand grip and return the router to the top position.

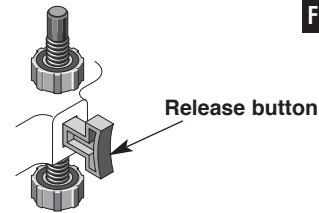


FIG. 9

Feeding the Router

If the router is hard to control, heats up, runs very slowly or leaves an imperfect cut, consider these causes:

- Wrong direction of feed – hard to control.
- Feeding too fast – overloads motor.
- Dull bit – overloads motor.
- Cut too large for one pass – overloads

motor.

- Feeding too slow – leaves friction burns on the workpiece.

Feed smoothly and steadily (do not force). You will soon learn how the router sounds and feels when it is working best.

Rate Of Feed

When routing or doing related work in wood and plastics, the best finishes will result if the depth of cut and feed rate are regulated to keep the motor operating at high speed. Feed the router at a moderate rate. Soft materials require a faster feed rate than hard materials. The router may stall if improperly used or

overloaded. Reduce the feed rate to prevent possible damage to the tool. Always be sure the collet nut is tightened securely before use. Always use router bits with the shortest cutting length necessary to produce the desired cut. This will minimize router bit run-out and chatter.

Edge Forming

When edge forming, always use piloted or bearing bits. The lower portion of a pilot tipped bit is a shaft with no cutting edges. Bearing guide bits have a ball bearing to pilot the bit.

The pilot slides along the edge of the work as the rotating blades make the cut, making decorative edges. The edge on which the pilot

slides should be perfectly smooth since any irregularities are transferred to the shaped surface.

When routing a workpiece that requires edge forming on the endgrain, always rout the endgrain edge before routing the edges that follow the grain. This minimizes the possibility of damage from any blowout at the end of the endgrain.

Router Feed Direction

The router spindle turns in a clockwise direction when viewed from above. For best control and quality of cut, feed the tool into the workpiece in the direction that the bit will tend to pull itself into the wood. Incorrect feed direction will cause the bit to try and climb over the wood.

Feed the tool in direction shown here. If cutting around the edge of a square piece, move the tool in a counterclockwise direction. If routing the inside surface as shown, move in a clockwise direction (Fig. 10).

NOTE: Feed direction is extremely important when using a pilot bit freehand on the edge of a workpiece.

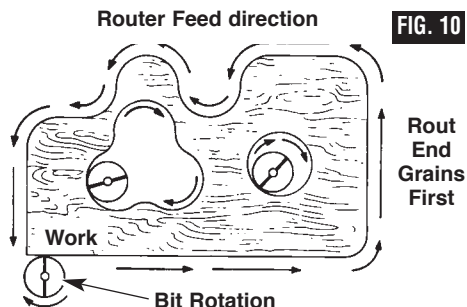


FIG. 10

Tool Lubrication

Periodic cleaning and lubrication of guide posts will keep plunge router action smooth.

Depress and lock plunge router and evenly apply a light lubricant (i.e. petroleum jelly, cooking oil) to upper portion of guide posts.

Assembling the Edge Guide

For edge guide use, assemble guide rods into tool holder assembly and secure using (2) #10-24 square nuts and (2) guide rod knobs (Fig. 11).

Square nut will slide in slots above the guide rods. Guide rod knobs are assembled from the top through holes into nuts, and against the rods. Fasten edge guide to guide rods using edge guide knobs, and hex head nuts.

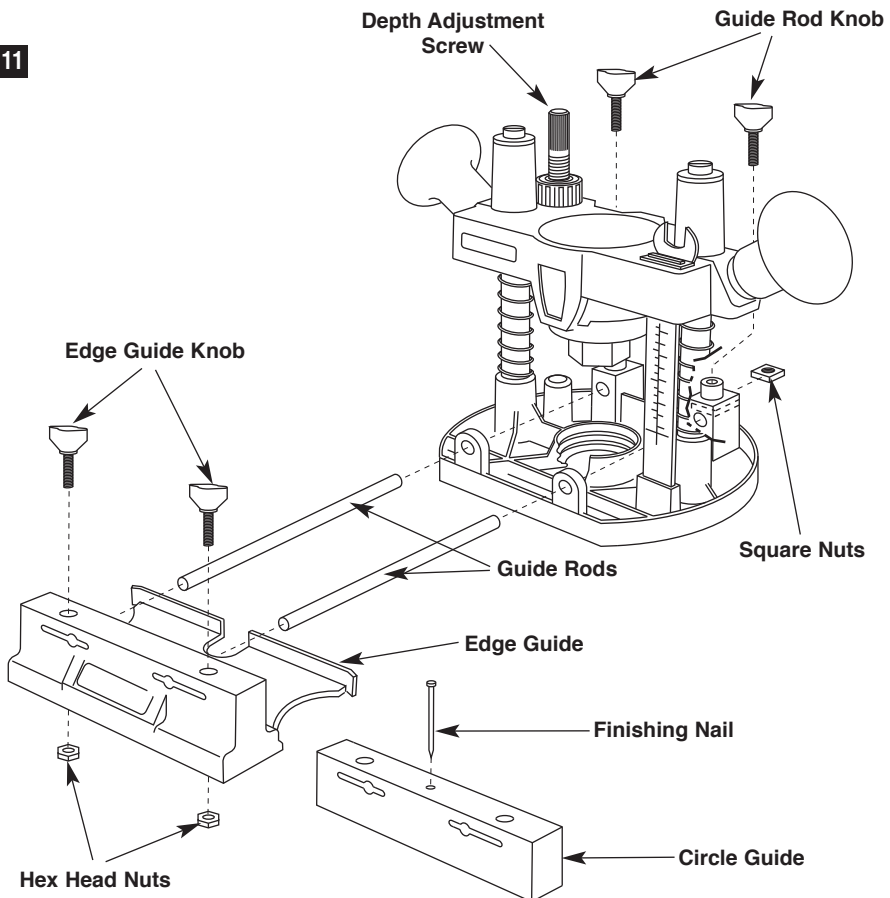
Locate hex head nuts underneath edge guide and fasten with edge guide knob on top surface of edge guide. Slide edge guide

assembly on guide rods as shown. Set edge guide at desired distance from cutter and tighten edge guide knobs. (See Fig. 11)

Edge guide is used for shaping edges, cutting rabbets, dados, mortise, tongues, grooves, slots, and chamfers. Remember to feed so the cutter tends to pull the edge guide against the wood. A consistent feed rate gives a smooth cut.

In general, several shallow cuts should be used when a deep groove is desired. Maximum depth of cut will vary depending on material used. Do not over feed to an amount that the motor is noticeably slowed.

FIG. 11



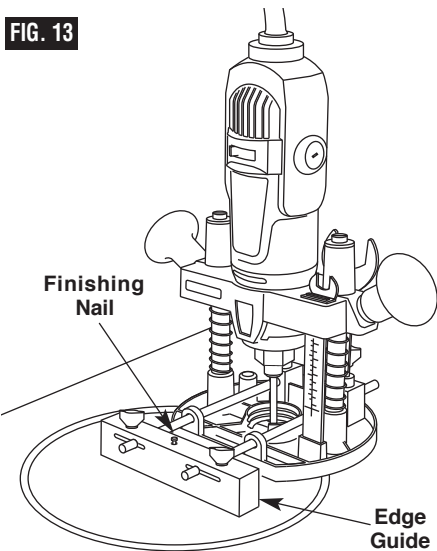
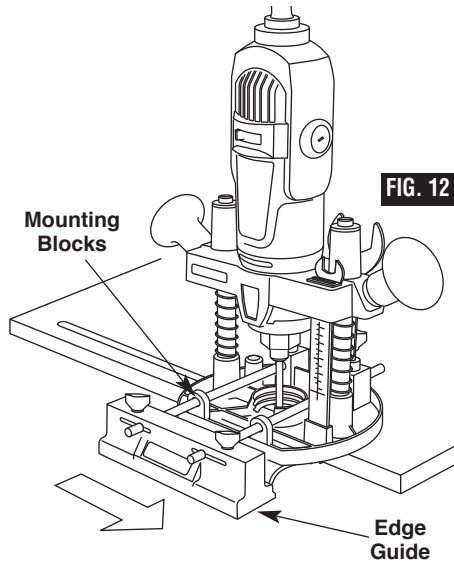
Edge Guide

Installation

1. Install the edge guide to the plunge router mounting blocks (Fig. 12).
2. Place parallel guide against work surface with router bit in desired position.
3. Tighten thumbscrews.

Routing with Edge Guide

Slide the flattened side of the edge guide along the work surface.



Routing Arcs and Circles

1. Remove the edge guide and attach the circle guide bracket to the guide rods (Fig. 13).
2. Use the finishing nail provided as a compass point. Set the circle guide for the desired radius.
3. Place the nail through the hole in the guide and place the nail at the center of the desired radius to be cut.

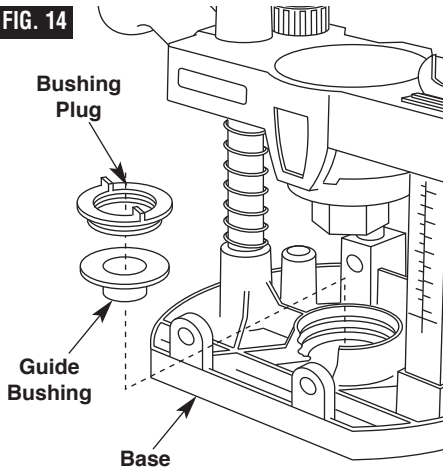
Templates

Using template patterns lets you duplicate designs or letters uniformly time after time. This technique requires the use of a guide bushing.

GUIDE BUSHINGS

The guide bushing shown in (Fig. 14), is essentially a plate with a collar which is inserted into the hole in base as shown, and secured by threading a bushing plug on top of the guide bushing. The guide bushing rides along the edge of the template while the router bit, protruding below, cuts into the work.

FIG. 14



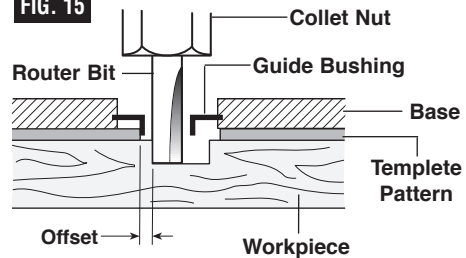
ATTENTION: Be sure the thickness of the template is the same or larger than the length of bushing protruding below the base.

Do not use a bit that may touch the inside of the collar. Select a bit that is at least 1/16" less in diameter.

In addition, special templates are easily prepared for cutting repeated patterns, special designs, inlays, and other applications. A template pattern may be made of plywood, hardboard, metal or even plastic, and the design can be cut with a router, jigsaw, or other suitable cutting tool.

Remember that the pattern will have to be made to compensate for the distance between the router bit and the guide bushing (the "offset"), as the final workpiece will differ in size from the template pattern by that amount, due to the bit position (Fig. 15).

FIG. 15



FREEHAND ROUTING

Many effects are gained by using the router freehand with a small diameter bit. Usually the craftsman pencils the outline or script he desires onto the work and uses the pencil line as a guide.

Dremel® Limited Warranty

Your Dremel product is warranted against defective material or workmanship for a period of one year from date of purchase. In the event of a failure of a product to conform to this written warranty, please take the following action:

1. DO NOT return your product to the place of purchase.
2. Carefully package the product by itself, with no other items, and return it, freight prepaid, along with:
 - A. A copy of your dated proof of purchase (please keep a copy for yourself).
 - B. A written statement about the nature of the problem.
 - C. Your name, address and phone number to:

UNITED STATES
Dremel Service Center
4915 21st Street
Racine, WI 53406

OR

CANADA
 Giles Tool Agency
 47 Granger Av.
 Canada M1K 3K9 1-416-287-3000

OUTSIDE CONTINENTAL UNITED STATES CONTINENTAL UNITED STATES
 See your local distributor or write to Dremel, 4915 21st Street Racine, WI 53406

We recommend that the package be insured against loss or in transit damage for which we cannot be responsible.

This warranty applies only to the original registered purchaser. DAMAGE TO THE PRODUCT RESULTING FROM TAMPERING, ACCIDENT, ABUSE, NEGLIGENCE, UNAUTHORIZED REPAIRS OR ALTERATIONS, UNAPPROVED ATTACHMENTS OR OTHER CAUSES UNRELATED TO PROBLEMS WITH MATERIAL OR WORKMANSHIP ARE NOT COVERED BY THIS WARRANTY.

No employee, agent, dealer or other person is authorized to give any warranties on behalf of Dremel. If Dremel inspection shows that the problem was caused by problems with material or workmanship within the limitations of the warranty, Dremel will repair or replace the product free of charge and return product prepaid. Repairs made necessary by normal wear or abuse, or repair for product outside the warranty period, if they can be made, will be charged at regular factory prices.

DREMEL MAKES NO OTHER WARRANTY OF ANY KIND WHATEVER, EXPRESSED OR IMPLIED, AND ALL IMPLIED WARRANTIES OF MERCHANTABILITY AND FITNESS FOR A PARTICULAR PURPOSE WHICH EXCEED THE ABOVE MENTIONED OBLIGATION ARE HEREBY DISCLAIMED BY DREMEL AND EXCLUDED FROM THIS LIMITED WARRANTY.

This warranty gives you specific legal rights and you may also have other rights which vary from state to state. The obligation of the warrantor is solely to repair or replace the product. The warrantor is not liable for any incidental or consequential damages due to any such alleged defect. Some states do not allow the exclusion or limitation of incidental or consequential damages, so the above limitations or exclusion may not apply to you.

For prices and warranty fulfillment in the continental United States, contact your local Dremel distributor.

Exportado por: © Robert Bosch Tool Corporation Mt. Prospect, IL 60056 -2230, E.U.A.

Importado a México por: Robert Bosch, S. de R.L. de C.V.
 Calle Robert Bosch No. 405 - 50071 Toluca, Edo. de Méx. - México
 Tel. 052 (722) 279 2300 ext 1160 / Fax. 052 (722) 216-6656

Règles de sécurité générales

AVERTISSEMENT

Vous devez lire et comprendre toutes les instructions. Le non-respect, même partiel, des instructions ci-après entraîne un risque de choc électrique, d'incendie et/ou de blessures graves.

CONSERVEZ CES INSTRUCTIONS

Veillez lire et comprendre le mode d'emploi de votre outil rotatif Dremel modèle

Complément conçu pour emploi avec les outils rotatifs Dremel modèles 100, 200, 275, 285, 300, 395, 398, 400, 3000, 4000, 8200, 8220 et 4200.

Règles de sécurité concernant les toupies

Tenez l'outil par les surfaces isolées de prise en exécutant une opération lorsque l'outil de coupe peut venir en contact avec des fils cachés ou son propre cordon. Le contact avec un fil sous tension rendra les parties métalliques exposées de l'outil sous tension et causera des secousses électriques à l'opérateur. *Pour couper dans des murs existants ou autres endroits aveugles pouvant dissimuler des fils électriques, débranchez tous les fusibles ou les disjoncteurs alimentant ce lieu de travail.*

Assurez-vous toujours que la surface de travail est exempte de clous et autres objets étrangers. La coupe dans un clou peut faire sauter la lame et l'outil, et ainsi abîmer la lame.

Ne tenez jamais le matériau d'une main et l'outil de l'autre lorsque vous en faites usage. Ne placez jamais les mains sous la surface de coupe ou à proximité de celle-ci. Il est plus sûr de cramponner le matériau et de guider l'outil des deux mains.

Ne placez jamais l'outil avec le fer dépassant de l'embase sur un établi ou sur la surface de la pièce. Couchez l'outil ou rentrez le fer avant de poser l'outil sur un établi ou sur la surface de la pièce. Si le fer dépasse, il risque de provoquer un rebond de l'outil.

Portez toujours des lunettes de sécurité et un masque anti-poussières. N'utilisez l'outil qu'à un endroit bien aéré. L'utilisation de dispositifs de sécurité personnelle et le travail dans un environnement sûr réduisent les risques de blessures.

Après avoir changé les lames ou effectué quelque réglage que ce soit, assurez-vous que l'écrou de la douille et tout autre dispositif de réglage sont bien serrés. Un dispositif de réglage lâche peut bouger soudainement et causer ainsi une perte de contrôle avec projection violente des composants en rotation.

Ne mettez jamais l'outil en marche alors que la lame est enfoncée dans le matériau. Le tranchant de la lame

peut se coincer dans le matériau et vous faire perdre le contrôle du couteau.

Tenez toujours le couteau des deux mains durant la mise en marche. Le couple de réaction du moteur peut faire tordre l'outil.

Le sens d'introduction de la lame dans le matériau est très important, et il est lié au sens d'introduction de la lame. Lorsque vous regardez l'outil depuis le dessus, la lame tourne en sens horaire. Le sens d'introduction du couteau doit être anti-horaire. REMARQUE : Les coupes intérieures et extérieures nécessiteront des sens de déplacement différents - référez-vous à la section consacrée au sens de déplacement de la toupie. Si l'outil est introduit dans le mauvais sens, le tranchant de la lame peut sortir du matériau et tirer l'outil dans le sens de cette introduction.

Il faut toujours utiliser l'outil avec l'embase de défonceuse fixée solidement et placée bien à plat sur la pièce à toupiller. De cette manière, votre outil est plus stable et plus facile à maîtriser.

N'utilisez jamais de lames émoussées ou abîmées. Les lames affilées doivent être maniées soigneusement. Les mèches abîmées peuvent se rompre brusquement durant l'usage. Les lames émoussées nécessitent plus de force pour pousser l'outil, causant éventuellement un bris de la lame.

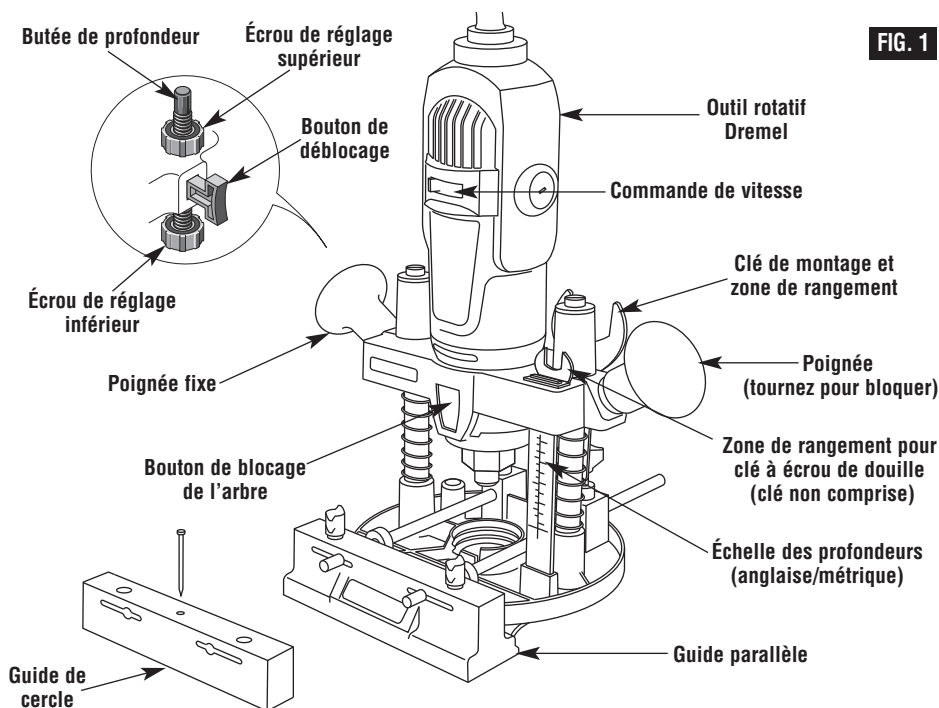
Ne touchez jamais la lame durant ou immédiatement après l'usage. Après usage, la lame est trop chaude pour être touchée à main nue.

Ne posez jamais l'outil avant que le moteur ne se soit arrêté complètement. La lame en rotation peut saisir la surface et vous faire perdre le contrôle de l'outil.

N'utilisez pas l'outil pour percer. Cet outil n'est pas destiné à être utilisé avec des mèches de perceuse.

N'utilisez jamais des fers dont le diamètre de coupe est supérieur à celui de l'ouverture pratiquée dans la base.

Commandes



Assemblage de l'accessoire de défonceuse en plongée sur votre outil

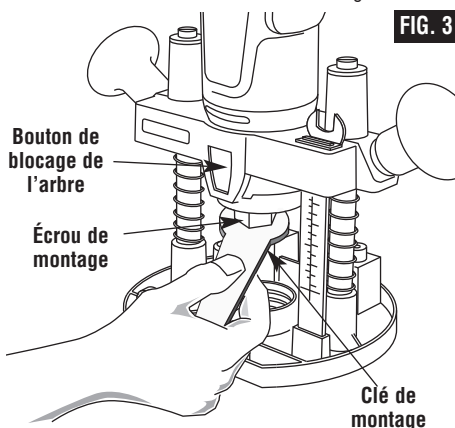
COMPLÉMENT CONÇU POUR EMPLOI AVEC LES OUTILS ROTATIFS DREMEL MODÈLES 100, 200, 275, 285, 300, 395, 398, 400, 3000, 4000, 8200, 8220 et 4200.

⚠ AVERTISSEMENT Débranchez la prise avant tout assemblage, réglage ou changement d'accessoire. De telles mesures de sécurité préventive réduisent le risque de démarrage intempestif de l'outil.

1. Enlevez l'écrou de douille, ensuite enlevez le couvercle du boîtier de votre outil rotatif et mettez-le de côté (Fig. 2). Remontez-le quand vous avez fini d'utiliser cet accessoire. Une fois le couvercle enlevé, remontez l'écrou de douille.



2. Placez l'outil dans votre accessoire de défonceuse de sorte que le bouton de blocage de l'arbre soit tourné vers l'avant comme indiqué (Fig. 3).
3. Vissez l'écrou de montage en sens horaire sur la partie filetée de votre outil rotatif et serrez-le fermement à l'aide de la clé de montage fournie.



Consignes de fonctionnement

COMPLÉMENT CONÇU POUR EMPLOI AVEC LES OUTILS ROTATIFS DREMEL MODÈLES 100, 200, 275, 285, 300, 395, 398, 400, 3000, 4000, 8200, 8220 et 4200.

ATTENTION : Cet accessoire transforme votre outil rotatif Dremel en défonceuse en plongée qui permet le toupillage à main levée, le toupillage de chants et de

rainures et les découpes circulaires. Cet accessoire est livré assemblé et prêt à l'emploi pour effectuer des toupillages à main levée ou avec fer piloté.

⚠ AVERTISSEMENT

Cette défonceuse n'est pas prévue pour être utilisée sous une table de toupillage ou de sciage.

Montage des fers de défonceuse

Les fers de défonceuse sont maintenus dans l'outil par un système de douille. **Le fer peut être installé avant ou après avoir monté l'outil rotatif sur l'accessoire.**

1. Appuyez sur le bouton de blocage de l'arbre et maintenez-le enfoncé tout en tournant l'écrou de douille et l'arbre. Continuez de tourner jusqu'à ce que le blocage s'enclenche et bloque la rotation de l'arbre (Fig. 4).
2. Utilisez la clé de votre outil rotatif Dremel et tournez l'écrou de douille en sens anti-horaire pour le dévisser.
3. Lâchez le bouton de blocage de l'arbre.
4. Enfilez le fer de défonceuse dans la douille aussi

loin que possible pour assurer le pincement correct du fer et minimiser son battement. N'enfoncez pas le fer au point que ses cannelures touchent la douille ou l'écrou de douille afin d'éviter de l'ébrécher ou de le fêler.

REMARQUE : Ne placez jamais l'outil avec le fer dépassant de l'embase sur un établi ou sur la surface de la pièce. Couchez l'outil ou rentrez le fer avant de poser l'outil sur un établi ou sur la surface de la pièce. Si le fer dépasse, il risque de provoquer un rebond de l'outil.

5. Ré-enclenchez le bouton de verrouillage de l'arbre et serrez l'écrou de douille; d'abord à la main, puis à l'aide de la clé jusqu'à ce que le fer soit correctement serré.

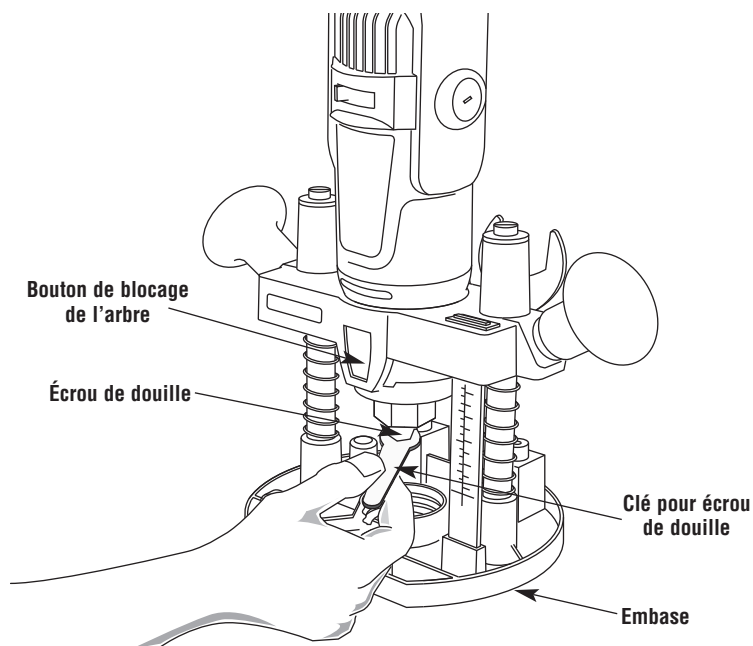


FIG. 4

Réglage de la profondeur de touillage

REMARQUE : Pour faire des coupes profondes, surtout pour les coupes en plongée au milieu de la pièce, il est conseillé de faire plusieurs passes successives de profondeurs croissantes en se servant du réglage de profondeur et de l'échelle des profondeurs plutôt que de tout touiller en une seule fois.

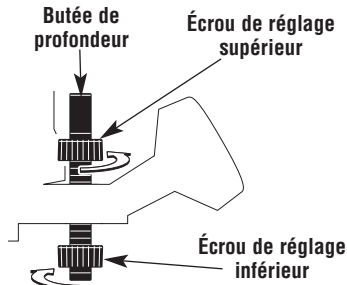
The depth limiter can be adjusted for two depths.

La butée de profondeur peut être réglée pour deux profondeurs différentes.

1. Posez votre outil rotatif Dremel avec l'ensemble de défonceuse sur la pièce à touiller.
2. Tournez l'écrou de réglage supérieur pour le faire remonter et l'écrou de réglage inférieur pour

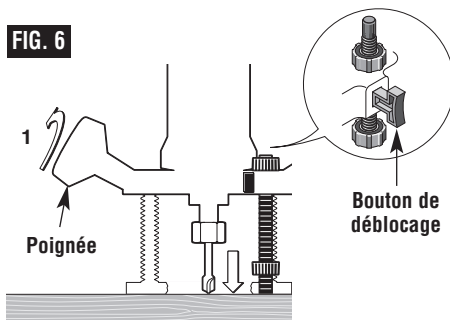
l'abaisser de sorte que la butée de profondeur soit libre de bouger (Fig. 5).

FIG. 5



3. Desserrez la poignée de blocage (Fig. 6). Abaissez lentement l'outil jusqu'à ce que le fer de défonceuse effleure la pièce.
4. Serrez la poignée de blocage pour bloquer l'outil en place.
5. Appuyez sur le bouton de déblocage et maintenez-le enfoncé pour permettre à la butée de profondeur de venir toucher l'embase de la défonceuse.

FIG. 6



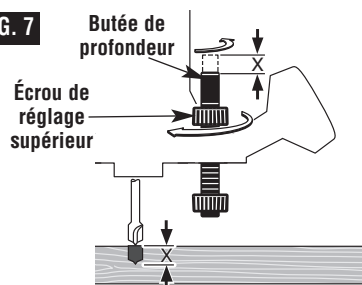
1^o profondeur de touillage

6. Tournez la butée de profondeur vers le haut de manière à amener la cote X à la première profondeur de touillage désirée (Fig. 7).

REMARQUE : 1 tour égale 0,06 po (1,5 mm)

7. Tournez l'écrou de réglage supérieur de manière à l'abaisser et le serrer légèrement contre le bâti de la défonceuse.

FIG. 7

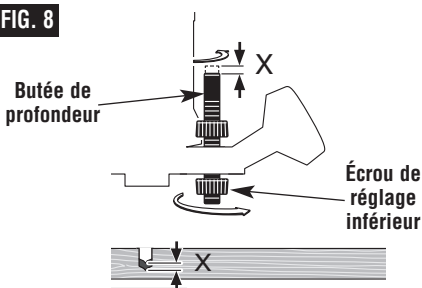


2^o profondeur de touillage

8. Tournez la butée de profondeur pour la remonter de manière à amener la cote X à la seconde profondeur de touillage désirée. Assurez-vous que l'écrou de réglage supérieur tourne avec la butée de profondeur et qu'il remonte et s'éloigne du bâti de la défonceuse (Fig. 8).
9. Tournez l'écrou de réglage inférieur de manière à le remonter et à le serrer légèrement contre le bâti de la défonceuse

REMARQUE : L'écrou de réglage supérieur ne doit pas bouger lorsque vous serrez l'écrou de réglage inférieur.

FIG. 8



10. Appuyez sur le bouton de déblocage pour choisir la 1e ou la 2e profondeur de toupillage (Fig. 9).

REMARQUE : Il est conseillé de contrôler le réglage des deux profondeurs de toupillages en faisant un essai. Réglez à nouveau si nécessaire.

Quand vous avez terminé le touillage, desserrez la poignée et ramenez la défonceuse à la position haute.

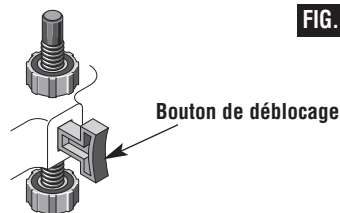


FIG. 9

Mouvement d'avance

Si la défonceuse est difficile à maîtriser, chauffe, tourne très lentement ou produit une coupe imparfaite, considérez les raisons suivantes :

- Sens d'avance incorrect – difficile à maîtriser.
- Avance trop rapide – surcharge du moteur.
- Fer émoussé – surcharge du moteur.

- Passe trop importante – surcharge du moteur.
- Avance trop lente – brûlures sur la pièce dues au frottement.

Déplacez l'outil régulièrement et sans vous arrêter (ne forcez pas). Vous apprendrez vite à reconnaître le bruit et le comportement de la défonceuse quand celle-ci est utilisée au mieux de ses possibilités.

Vitesse d'avance

Lors du touillage ou usinage similaire dans du bois ou du plastique, les meilleurs finis sont obtenus quand la profondeur de coupe et la vitesse d'avance sont régulés afin de maintenir la vitesse du moteur à un niveau élevé. Déplacez la défonceuse à une vitesse modérée. Les matériaux tendres nécessitent une vitesse d'avance plus importante que les matériaux durs.

Il se peut que la défonceuse cale si elle est utilisée incorrectement ou si elle est en surcharge. Réduisez la vitesse d'avance pour éviter d'abîmer l'outil. Assurez-vous toujours que l'écrou de douille est serré fermement avant toute utilisation. Utilisez toujours des fers de défonceuse dont le tranchant est aussi court que possible tout en étant suffisamment long pour produire l'usinage désiré. Ceci minimisera le battement et les vibrations du fer.

Touillage de chants

Pour touiller des chants, utilisez toujours des fers pilotés ou munis d'un roulement. La partie inférieure d'un fer piloté est un arbre lisse sans bord tranchant. Les fers guidés par roulement sont munis d'un roulement à bille qui sert à piloter le fer.

Le pilote glisse le long du chant de la pièce pendant que les tranchants en rotation usinent pour former un chant décoratif. Le chant sur lequel glisse le pilote

doit être parfaitement lisse car toute irrégularité serait recopiée sur la surface usinée.

Quand on touille une pièce dont on doit moulurer un chant en bois de bout, il convient de touiller ce chant avant de touiller ceux qui sont dans le sens du fil. Ceci minimise le risque que les éclats éventuels à l'extrémité du chant en bois de bout n'abîment la pièce.

Sens d'avance de la défonceuse

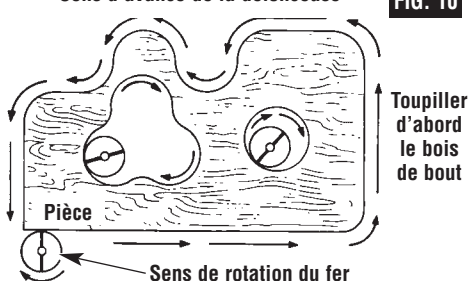
L'arbre de la défonceuse tourne dans le sens horaire en vue de dessus. Pour bien maîtriser l'outil et pour assurer un travail de haute qualité, déplacez l'outil vers la pièce dans le sens qui tend à s'opposer à la rotation du fer et à faire pénétrer ce dernier automatiquement dans la pièce. Si le sens de l'avance est incorrect, le fer aura tendance à grimper le long de la surface usinée.

Déplacez l'outil dans le sens indiqué ici. Pour touiller le long du chant d'une pièce carrée, déplacez la défonceuse en sens anti-horaire. Pour touiller un bord interne comme indiqué, déplacez la défonceuse en sens horaire (Fig. 10).

REMARQUE : le sens de l'avance est très important quand on utilise un fer piloté à main levée le long du chant d'une pièce.

Sens d'avance de la défonceuse

FIG. 10



Lubrification de l'outil

Le nettoyage et le graissage réguliers des montants-guides maintiendra l'action du piston sans à-coup. Appuyer sur le guide du piston et le verrouiller, et

appliquer uniformément du lubrifiant léger (tel que de la vaseline, de l'huile de cuisine) sur la partie supérieure des montants-guides.

Assemblage du guide parallèle

Pour utiliser le guide parallèle, assemblez les tiges du guide dans l'ensemble du porte-outil et serrez-les à l'aide de (2) écrous carrés No 10-24 et (2) boutons des tiges du guide (Fig. 11).

Les écrous carrés se glissent dans les fentes situées au-dessus des tiges de guide. Les boutons des tiges du guide se montent par le dessus, par le trou, puis dans l'écrou et enfin contre la tige. Serrez le guide parallèle sur les tiges du guide à l'aide des boutons de guide parallèle et des écrous six-pans.

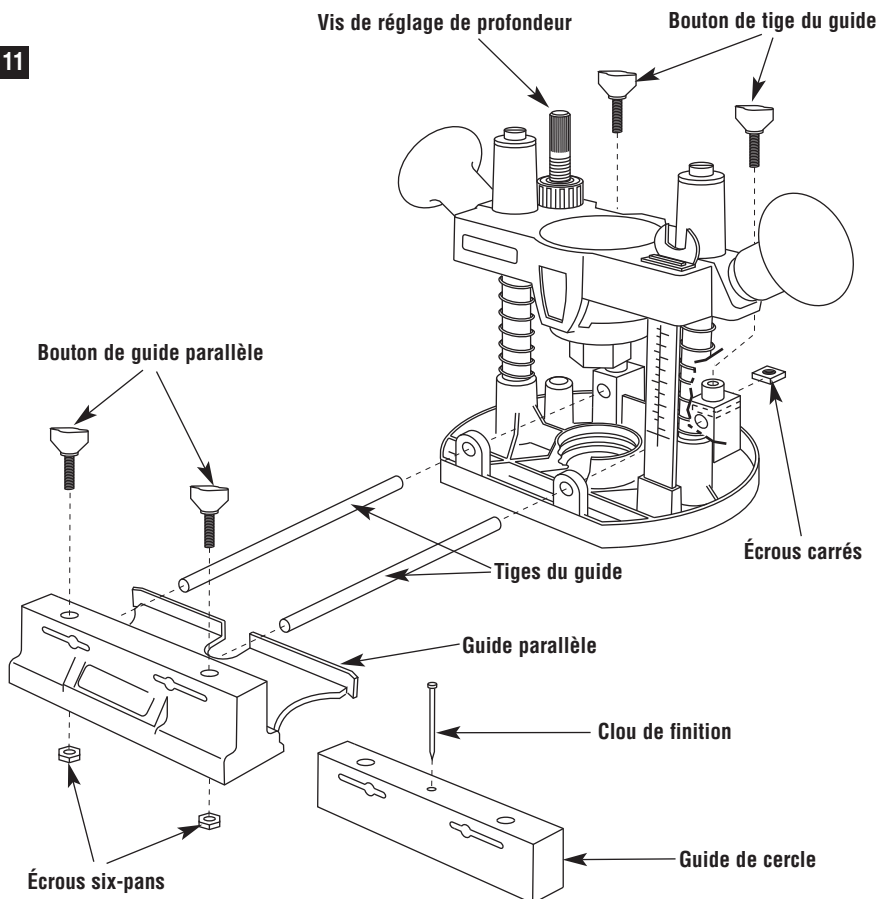
Placez les écrous six-pans sous le guide parallèle et serrez avec le bouton du guide parallèle situé sur la surface supérieure du guide parallèle. Glissez l'ensemble du guide parallèle sur les tiges du guide comme

indiqué. Réglez le guide parallèle à la distance désirée du fer et serrez les boutons du guide parallèle. (Voir Fig. 11)

On se sert du guide parallèle pour toupiller des chants, usiner des feuillures, des rainures, des mortaises, des languettes, des gorges, des fentes et des chanfreins. Souvenez-vous de déplacer l'outil de manière à ce que le fer tende à appuyer le guide parallèle contre la pièce. Un déplacement régulier produit un toupillage uniforme.

En général, il est préférable de faire plusieurs passes peu profondes quand on désire produire une rainure profonde. La profondeur de coupe maximale dépend du matériau toupillé. Ne déplacez pas la machine si vite que la vitesse du moteur décroît sensiblement.

FIG. 11



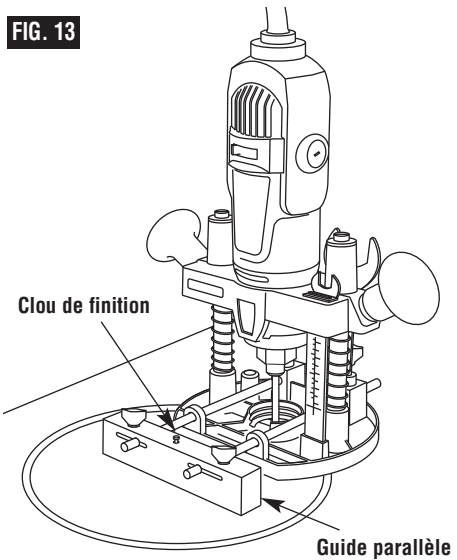
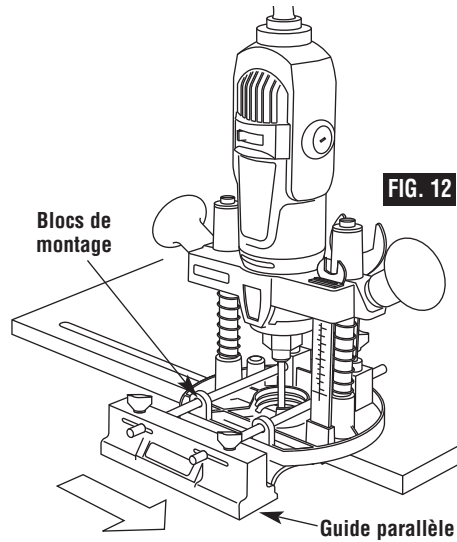
Guide parallèle

Installation

1. Montez le guide parallèle sur les blocs de montage de la défonceuse en plongée. (Fig. 12).
2. Placez le guide parallèle contre la surface de la pièce et mettez le fer de défonceuse dans la position souhaitée.
3. Serrez les boutons.

Touillage avec le guide parallèle

Faites glisser la partie plate du guide parallèle le long de la surface de la pièce.



Touillage d'arcs de cercle et de cercles

1. Enlevez le guide parallèle et fixez le support du guide de cercle sur les tiges du guide (Fig. 13).
2. Servez-vous du clou de finition fourni comme de la pointe d'un compas. Réglez le guide de cercles afin d'obtenir le rayon désiré.
3. Enfitez le clou dans le trou du guide et positionnez-le au centre du rayon que vous désirez touiller.

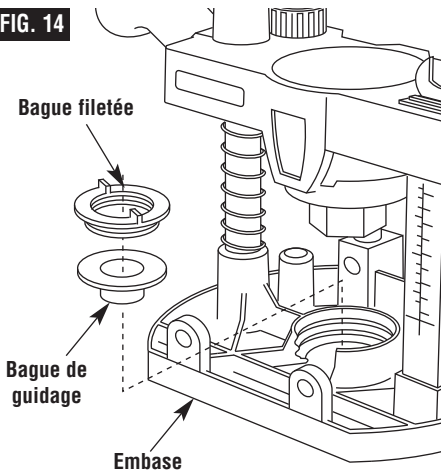
Gabarits

L'utilisation de motifs en gabarit vous permet de recopier des dessins ou des lettres régulièrement à chaque fois. Cette technique nécessite l'utilisation d'une bague de guidage.

BAGUES DE GUIDAGE

La bague de guidage illustrée à la Fig. 14 est principalement une plaque munie d'un anneau qu'on insère dans le trou de l'embase comme indiqué. On l'y fixe en visant une bague filetée au-dessus de la bague de guidage. La bague de guidage glisse le long du bord du gabarit tandis que le fer de la défonceuse, qui lui dépasse en dessous, toupille la pièce.

FIG. 14



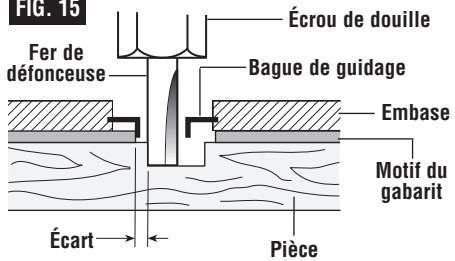
ATTENTION : Assurez-vous que l'épaisseur du gabarit est au moins égale à la longueur de bague de guidage qui dépasse sous l'embase.

N'utilisez pas de fer qui risque de toucher l'intérieur de l'anneau. Choisissez un fer de diamètre environ 1/16 po plus petit.

De plus, il est facile de préparer des gabarits spéciaux pour toupiller des motifs à répétition, des dessins spéciaux, de la marqueterie et pour effectuer d'autres tâches. Pour fabriquer un gabarit, on peut utiliser du contreplaqué, du panneau de fibres dur, du métal ou même du plastique et le motif peut être découpé à la défonceuse, à la scie sauteuse ou avec tout autre outil qui convient.

Souvenez-vous que le motif doit être conçu en tenant compte de la distance entre le fer de défonceuse et la bague de guidage (appelée « écart ») car la pièce finale aura des dimensions qui différeront de celle du gabarit de la valeur de l'écart, ceci étant dû à la position du fer (Fig. 15).

FIG. 15



TOUILLAGE À MAIN LEVÉE

On peut produire de nombreux effets spéciaux en utilisant la toupie à main levée avec un fer de petit diamètre. En général, l'artisan reproduit sur la pièce, avec un crayon, le motif ou les lettres qu'il souhaite découper, après quoi il se guide sur le trait de crayon.

Garantie limitée de Dremel®

Votre produit Dremel est garanti contre les vices de matériau ou de façon pendant un délai d'un an à compter de la date d'achat. Dans l'hypothèse où le produit ne se conformerait pas à cette garantie écrite, veuillez procéder de la façon suivante :

1. NE RAPPORTEZ PAS votre produit à l'endroit où vous l'avez acheté.
2. Emballez avec soin le produit seul, sans aucun autre article, et renvoyez-le, en port payé, accompagné :
 - A. d'une copie de votre justificatif d'achat daté (veuillez en garder une copie pour vous-même)
 - B. d'une déclaration écrite concernant la nature du problème
 - C. d'une indication de vos nom, adresse et numéro de téléphone, à l'adresse suivante :

ÉTATS-UNIS

Dremel Service Center
4915 21st Street
Racine, WI 53406

OU

CANADA

Giles Tool Agency
 47 Granger Av.
 Canada M1K 3K9 1-416-287-3000

À L'EXTÉRIEUR DU TERRITOIRE CONTINENTAL DES ÉTATS-UNIS

Consultez votre distributeur local ou écrivez à Dremel : 4915 21st Street Racine, WI 53406

Nous vous recommandons d'assurer le paquet contre la perte ou les dommages en cours de route dont nous ne pouvons assumer la responsabilité.

Cette garantie n'est offerte qu'à l'acheteur enregistré d'origine. LES DOMMAGES AU PRODUIT RÉSULTANT DE MANIPULATIONS ABUSIVES, D'ACCIDENTS, D'USAGES ABUSIFS, DE NÉGLIGENCE, DE RÉPARATIONS OU D'ALTÉRATIONS NON AUTORISÉES, D'UTILISATION D'ACCESSOIRES NON APPROUVÉS OU D'AUTRES CAUSES NON LIÉES AU MATÉRIAU OU À LA FAÇON NE SONT PAS COUVERTS PAR CETTE GARANTIE.

Aucun employé, mandataire, vendeur ou autre n'est autorisé à accorder des garanties au nom de Dremel. Si l'inspection effectuée par Dremel révèle que le problème a été causé par un problème de matériau ou de façon dans les limites de la garantie, Dremel réparera ou remplacera le produit gratuitement et renverra le produit en port payé. Si elles peuvent être effectuées, les réparations rendues nécessaires par l'usure normale ou un usage abusif, ou les réparations du produit une fois la période de garantie expirée, seront facturées aux tarifs réguliers de l'usine.

DREMEL N'ACCORDE AUCUNE AUTRE GARANTIE DE QUELQUE NATURE QUE CE SOIT, EXPLICITE OU IMPLICITE, ET TOUTES LES GARANTIES IMPLICITES DE COMMERCIALISATION ET D'APTITUDE À UN USAGE PARTICULIER EN PLUS DE L'OBLIGATION SUSVISÉE SONT REJETÉES PAR LES PRÉSENTES PAR DREMEL ET EXCLUES DE CETTE GARANTIE LIMITÉE.

Cette garantie vous accorde certains droits précis, et vous pouvez également avoir d'autres droits qui varient d'un endroit à un autre. L'obligation du garant se limite à réparer ou remplacer le produit. Le garant n'est responsable d'aucun dommage accessoire ou indirect attribuable à de telles défaillances alléguées. Certaines juridictions ne permettent pas l'exclusion ou la limitation des dommages accessoires ou indirects ; il se peut donc que les limitations ou l'exclusion qui précède ne s'appliquent pas à vous.

En ce qui concerne les prix et la façon de vous prévaloir de la garantie sur le territoire continental des États-Unis, mettez-vous en contact avec votre distributeur Dremel local.

Exportado por: © Robert Bosch Tool Corporation Mt. Prospect, IL 60056 -2230, E.U.A.

Importado a México por: Robert Bosch, S. de R.L. de C.V.
 Calle Robert Bosch No. 405 - 50071 Toluca, Edo. de Méx. - México
 Tel. 052 (722) 279 2300 ext 1160 / Fax. 052 (722) 216-6656

Normas de seguridad para herramientas mecánicas



ADVERTENCIA

Lea y entienda todas las instrucciones. El incumplimiento de todas las instrucciones indicadas a continuación puede dar lugar a sacudidas eléctricas, incendios y/o lesiones personales graves.

CONSERVE ESTAS INSTRUCCIONES

Asegúrese de leer y entender el manual del usuario de los modelos de herramienta giratoria Dremel

Aditamento para utilizarse con los modelos de herramienta rotativa Dremel
100, 200, 275, 285, 300, 395, 398, 400, 3000, 4000, 8200, 8220 y 4200.

Normas de seguridad para fresadoras

Sujete siempre la herramienta por las superficies de agarre aisladas al realizar una operación en la que la herramienta de corte pueda entrar en contacto con cables ocultos o con su propio cordón. El contacto con un cable con corriente transmitirá corriente a las piezas metálicas al descubierto y hará que el operador reciba sacudidas eléctricas. *Si el corte en paredes existentes u otras áreas ciegas donde puedan existir cables eléctricos es inevitable, desconecte todos los fusibles o cortacircuitos que alimentan el lugar de trabajo.*

Asegúrese siempre de que la superficie de trabajo no tenga clavos ni otros objetos extraños. El corte de un clavo puede hacer que la broca y la herramienta salten y que la broca se dañe.

Nunca tenga la pieza de trabajo en una mano y la herramienta en la otra al utilizarla. Nunca ponga las manos cerca o debajo de la superficie de corte. Es más seguro fijar con abrazaderas el material y guiar la herramienta con ambas manos.

No ponga nunca la herramienta sobre un banco o una superficie de trabajo si la broca está sobresaliendo a través de la base. Coloque la herramienta apoyándola sobre uno de sus lados o retraiga la broca antes de poner la herramienta sobre un banco o una superficie de trabajo. Si la broca de corte sobresale, podría hacer que la herramienta salte.

Use siempre gafas de seguridad y máscara antipolvo. Use la herramienta únicamente en un área bien ventilada. La utilización de dispositivos de seguridad personal y el trabajar en un entorno seguro reducen el riesgo de que se produzcan lesiones.

Después de cambiar las brocas o de hacer ajustes, asegúrese de que la tuerca del portaherramienta y otros dispositivos de ajuste estén apretados firmemente. Un dispositivo de ajuste flojo puede desplazarse inesperadamente, causando pérdida de control, y los componentes giratorios flojos saldrán despedidos violentamente.

Nunca arranque la herramienta cuando la broca esté acoplada en el material. El borde de corte de la broca puede engancharse en el material, causando pérdida de control de la cortadora.

Sujete siempre la herramienta con las dos manos durante el arranque. El par de reacción del motor puede hacer que la herramienta se tuerza.

El sentido de avance de la broca en el material es muy importante y está relacionado con el sentido de giro de la broca. Al mirar a la herramienta desde arriba, la broca gira en el sentido de las agujas del reloj. El sentido de avance de corte debe ser en contra de las agujas del reloj. **NOTA:** Los cortes interiores y exteriores requerirán un sentido de avance distinto; consulte la sección sobre avance de la fresadora. El hacer avanzar la herramienta en sentido incorrecto hace que el borde de corte de la broca se salga de la pieza de trabajo y tire de la herramienta en el sentido de este avance.

Utilice siempre la herramienta con la base de fresadora sujeta firmemente y posicionada plana contra el material que se esté cortando. Tener la base posicionada firmemente sobre el material mejora la estabilidad y el control de la herramienta.

Nunca use brocas desafiladas o dañadas. Las brocas afiladas se deben manejar con cuidado. Las brocas dañadas pueden romperse bruscamente durante el uso. Las brocas desafiladas requieren más fuerza para empujar la herramienta, con lo que es posible que la broca se rompa.

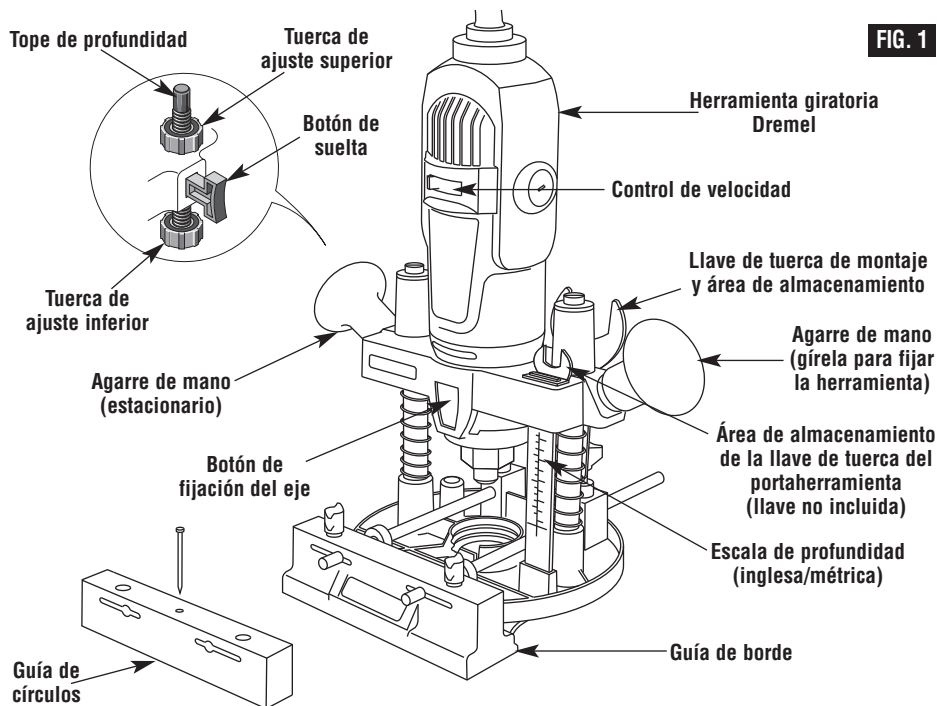
Nunca toque la broca durante ni inmediatamente después de la utilización. Después del uso, la broca está demasiado caliente como para tocarla con las manos desnudas.

Nunca deje la herramienta hasta que el motor se haya detenido por completo. La broca que gira puede engancharse en la superficie y tirar de la herramienta haciendo que usted pierda el control.

No utilice la herramienta para taladrar. Esta herramienta no está diseñada para uso con brocas taladradoras.

Nunca utilice brocas que tengan un diámetro de corte mayor que la abertura de la base.

Controles de utilización



Montaje del aditamento de fresadora de descenso vertical en la herramienta

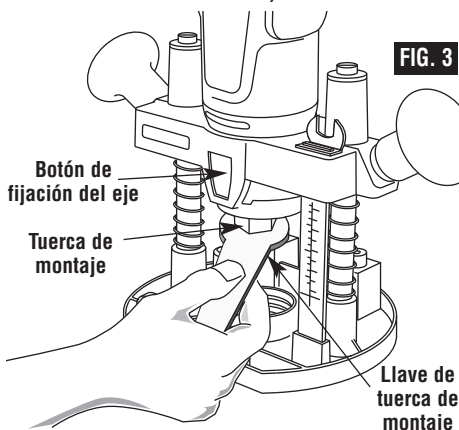
ADITAMENTO PARA UTILIZARSE CON LOS MODELOS DE HERRAMIENTA ROTATIVA DREMEL 100, 200, 275, 285, 300, 395, 398, 400, 3000, 4000, 8200, 8220 y 4200.

⚠️ ADVERTENCIA Desconecte el enchufe de la fuente de alimentación antes de realizar cualquier ensamblaje o ajuste, o antes de cambiar accesorios. Dichas medidas preventivas de seguridad reducen el riesgo de arrancar accidentalmente la herramienta.

1. Quite la tuerca del portaherramienta, luego quite la tapa de la carcasa de la herramienta giratoria y deje a un lado la tapa de la carcasa (Fig. 2). La tapa de la carcasa se debe reinstalar cuando este aditamento no se esté utilizando. Una vez que se haya quitado la tapa de la carcasa, monte de nuevo la tuerca del portaherramienta.



2. Coloque la herramienta dentro del aditamento de fresadora con el botón de fijación del eje orientado hacia delante de la manera que se muestra en la ilustración (Fig. 3).
3. Enrosque la tuerca de montaje en el sentido de las agujas del reloj en la porción roscada de la herramienta giratoria y apriétela firmemente con la llave de tuerca de montaje suministrada.



Instrucciones de utilización

ADITAMENTO PARA UTILIZARSE CON LOS MODELOS DE HERRAMIENTA ROTATIVA DREMEL 100, 200, 275, 285, 300, 395, 398, 400, 3000, 4000, 8200, 8220 y 4200.

ATENCIÓN: Este aditamento convertirá la herramienta giratoria Dremel en una fresadora de descenso vertical para realizar fresado, conformado de bordes,

ranurado y cortes circulares a pulso. El aditamento de fresadora viene ensamblado, listo para realizar fresado a pulso o con broca piloto.



ADVERTENCIA Este aditamento de fresadora no está diseñado para utilizarse debajo de una mesa de fresadora o de sierra.

Introducción de la broca de fresadora

Las brocas de fresadora se sujetan en la herramienta mediante un sistema de portaherramienta. **La broca se puede instalar antes o después de que la herramienta giratoria esté instalada en el aditamento.**

1. Oprima y mantenga oprimido el botón de fijación del eje a la vez que gira la tuerca del portaherramienta y el eje. Continúe girando la tuerca del portaherramienta y el eje hasta que el cierre se acople y sujete el eje (Fig. 4).
2. Utilice la llave de tuerca de la herramienta giratoria Dremel y gire la tuerca del portaherramienta en sentido contrario al de las agujas del reloj para aflojarla.
3. Suelte el botón de fijación del eje.
4. Introduzca la broca de fresadora en el portaherramienta tan profundamente como sea posible,

para asegurarse de que la broca quede agarrada apropiadamente y para minimizar el descenramiento. No introduzca la broca tan profundamente como para que sus estrías toquen el portaherramienta o la tuerca del portaherramienta, con el fin de evitar descascarar o agrietar la broca.

NOTA: No ponga nunca la herramienta sobre un banco o una superficie de trabajo si la broca está sobresaliendo a través de la base. Coloque la herramienta apoyándola sobre uno de sus lados o retraiga la broca antes de poner la herramienta sobre un banco o una superficie de trabajo. Si la broca de corte sobresale, podría hacer que la herramienta salte.

5. Reacople el botón de fijación del eje y apriete la tuerca del portaherramienta, primero con la mano y luego usando la llave de tuerca, hasta que la broca esté firmemente sujeta.

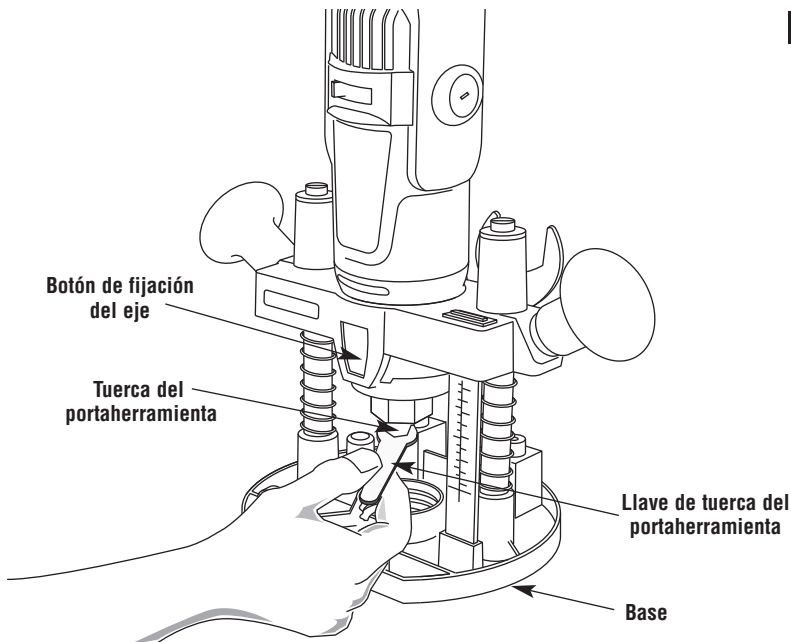


FIG. 4

Ajuste de la profundidad de fresado

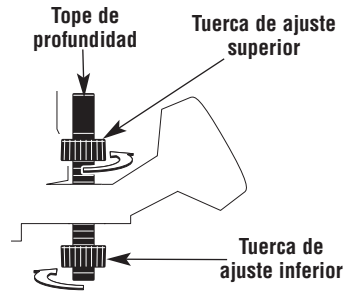
NOTA: Cuando realice cortes profundos, especialmente cortes por penetración alejados del borde de la pieza de trabajo, se recomienda realizar varios cortes sucesivos, progresivamente más profundos, utilizando el ajuste de profundidad y la escala de profundidad, en lugar de realizar un solo corte profundo.

El limitador de profundidad se puede ajustar para dos profundidades.

1. Coloque el conjunto de herramienta giratoria Dremel y fresadora sobre la pieza de trabajo.
2. Gire hacia arriba la tuerca de ajuste superior y gire hacia abajo la tuerca de ajuste inferior para que el

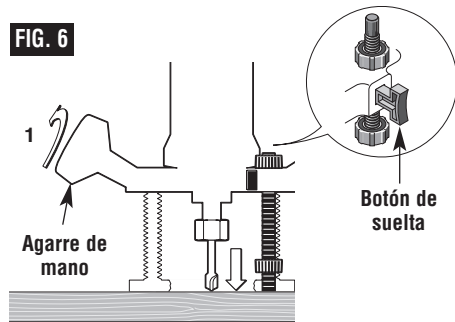
tope de profundidad quede libre para moverse (Fig. 5).

FIG. 5



3. Afloje el agarre de mano de fijación (Fig. 6). Baje lentamente la herramienta hasta que la broca de fresadora justo toque la pieza de trabajo.
4. Apriete el agarre de mano de fijación para fijar la herramienta en su sitio.
5. Oprima y mantenga oprimido el botón de suelta para que el tope de profundidad toque la base de la fresadora.

FIG. 6



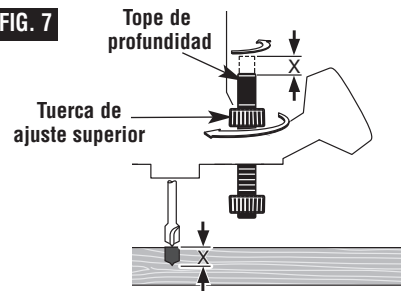
Primera profundidad de fresado

6. Gire hacia arriba el tope de profundidad de modo que la medida X sea igual a la primera profundidad de fresado deseada (Fig. 7).

NOTA: 1 vuelta es igual a 0.06" (1.5 mm)

7. Gire hacia abajo la tuerca de ajuste superior hasta que esté perfectamente ajustada contra el armazón de la fresadora.

FIG. 7

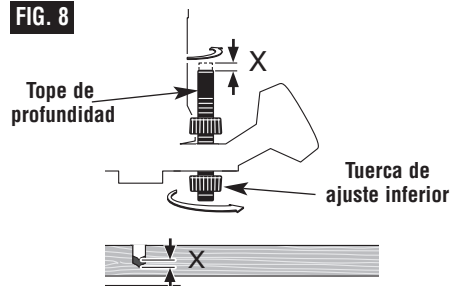


Segunda profundidad de fresado

8. Gire hacia arriba el tope de profundidad de modo que la medida X sea igual a la segunda profundidad de fresado deseada. Asegúrese de que la tuerca de ajuste superior gire con el tope de profundidad, de modo que suba alejándose del armazón de la fresadora (Fig. 8).
9. Gire hacia arriba la tuerca de ajuste inferior hasta que esté perfectamente ajustada contra el armazón de la fresadora.

NOTA: La tuerca de ajuste superior debe permanecer estacionaria cuando se apriete la tuerca de ajuste inferior.

FIG. 8



10. Oprima el botón de suelta para seleccionar la primera o la segunda profundidad de fresado (Fig. 9).

NOTA: El ajuste de cada profundidad de fresado debe comprobarse con un corte de prueba y debe reajustarse según sea necesario.

Cuando se haya completado el fresado, afloje el agarre de mano y devuelva la fresadora a la posición superior.

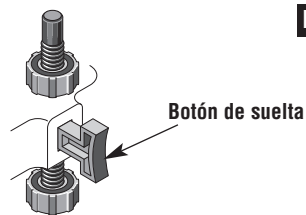


FIG. 9

Avance de la fresadora

Si la fresadora es difícil de controlar, se calienta, funciona muy lentamente o deja un corte imperfecto, considere estas causas:

- Sentido de avance incorrecto: Difícil de controlar.
- Avance demasiado rápido: Sobrecarga el motor.
- Broca desafilada: Sobrecarga el motor.
- Corte demasiado grande para una pasada:

Sobrecarga el motor.

- Avance demasiado lento: Deja quemaduras de fricción en la pieza de trabajo.

Haga avanzar la fresadora suave y firmemente (no la fuerce). Pronto aprenderá el sonido y la sensación de la fresadora cuando está funcionando de modo óptimo.

Velocidad de avance

Cuando frese o realice trabajo relacionado en madera y plásticos, se obtendrán los mejores acabados si la profundidad de corte y la velocidad de avance se regulan para mantener el motor funcionando a alta velocidad. Haga avanzar la fresadora a una velocidad moderada. Los materiales blandos requieren una velocidad de avance más rápida que los materiales duros.

Es posible que la fresadora se pare si se utiliza incorrectamente o se sobrecarga. Reduzca la velocidad de avance para prevenir posibles daños a la herramienta. Asegúrese siempre de que la tuerca del portaherramienta esté apretada firmemente antes de utilizar la fresadora. Utilice siempre brocas de fresadora con la longitud de corte más corta necesaria para producir el corte deseado. Esto minimizará el descentramiento y la vibración ruidosa de la broca de fresadora.

Conformado de bordes

Al realizar conformado de bordes, utilice siempre brocas con punta piloto o con cojinete. La parte inferior de una broca con punta piloto es un vástago que no tiene bordes de corte. Las brocas con guía de cojinete tienen un cojinete de bolas para pilotar la broca.

El piloto se desliza a lo largo del borde de la pieza de trabajo a medida que la broca que gira realiza el corte, formando bordes decorativos. El borde sobre el que el

piloto se desliza debe ser perfectamente liso, ya que cualquier irregularidad es transferida a la superficie conformada.

Al fresar una pieza de trabajo que requiera conformar un borde a contrahilo, frese siempre el borde a contrahilo antes de fresar los bordes que siguen la veta. Esto minimiza la posibilidad de daños por causa de estallidos al final del contrahilo.

Sentido de avance de la fresadora

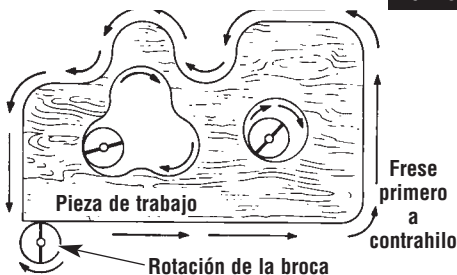
El husillo de la fresadora gira en el sentido de las agujas del reloj cuando se ve desde arriba. Para lograr el mejor control y la mejor calidad de corte, haga avanzar la herramienta hacia la pieza de trabajo en el sentido en que la broca tienda a penetrar en la madera. Un sentido de avance incorrecto hará que la broca intente trepar y acabe trepando por la madera.

Haga avanzar la herramienta en el sentido que se muestra aquí. Si se está cortando alrededor del borde de una pieza cuadrada, mueva la herramienta en sentido contrario al de las agujas del reloj. Si se está fresando la superficie interior de la manera que se muestra en la ilustración, mueva la herramienta en el sentido de las agujas del reloj (Fig. 10).

NOTA: El sentido de avance es sumamente importante cuando se utilice a pulso una broca con punta piloto en el borde de una pieza de trabajo.

Sentido de avance de la fresadora

FIG. 10



Lubricación de las herramientas

La limpieza y lubricación periódica de los montantes de guía mantendrán el movimiento de descenso vertical uniforme.

Oprima y bloquee la fresadora de descenso vertical y luego aplique un lubricante ligero (por ejemplo, vaselina, aceite de cocina) a la parte superior de los montantes de guía.

Montaje de la guía de borde

Para usar la guía de borde, monte las varillas de guía en el conjunto del portaherramienta y sujételas firmemente utilizando (2) tuercas cuadradas No. 10-24 y (2) pomos de varilla de guía (Fig. 11).

La tuerca cuadrada se deslizará sobre las varillas de guía. Los pomos de varilla de guía se montan desde arriba a través de los agujeros, hacia abajo a través de las tuercas y contra las varillas. Sujete la guía de borde a las varillas de guía utilizando los pomos de la guía de borde y las tuercas de cabeza hexagonal.

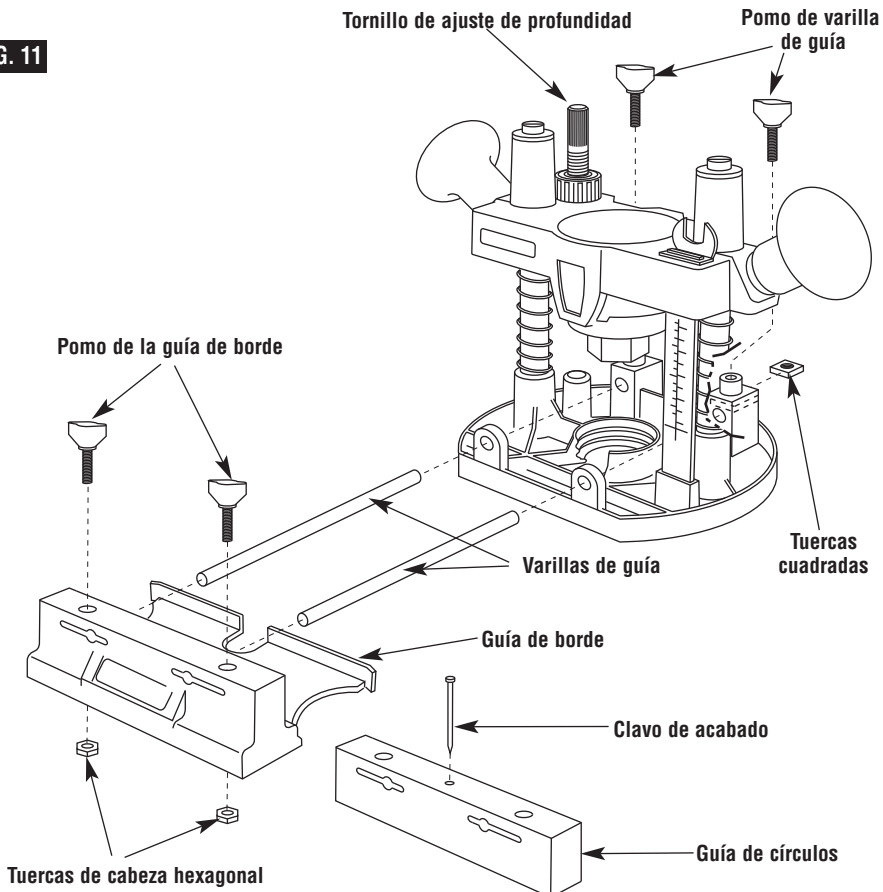
Localice las tuercas de cabeza hexagonal debajo de la guía de borde y sujételas con el pomo de la guía de borde en la superficie superior de la guía de borde. Deslice el conjunto de la guía de borde sobre las

varillas de guía de la manera que se muestra en la ilustración. Ajuste la guía de borde a la distancia deseada del cortador y apriete los pomos de la guía de borde (vea la Fig. 11).

La guía de borde se utiliza para conformar bordes y cortar rebajos, ranuras, mortajas, lengüetas, surcos, hendiduras y chafanes. Recuerde hacer avanzar la fresadora de manera que el cortador tienda a tirar de la guía de borde contra la madera. Una velocidad de avance constante da un corte suave.

En general, se deben hacer varios cortes poco profundos cuando se desee una ranura profunda. La profundidad de corte máxima variará dependiendo del material utilizado. No sobreavance hasta una cantidad tal que se reduzca apreciablemente la velocidad del motor.

FIG. 11



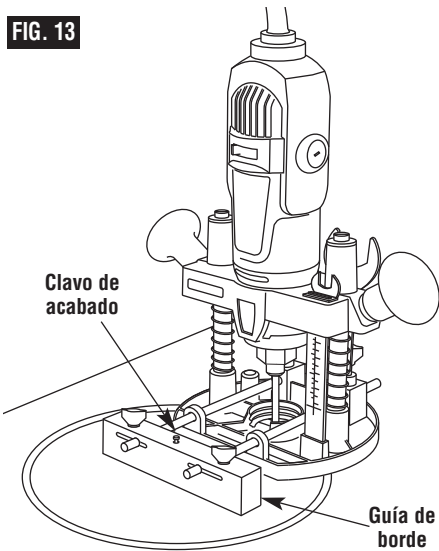
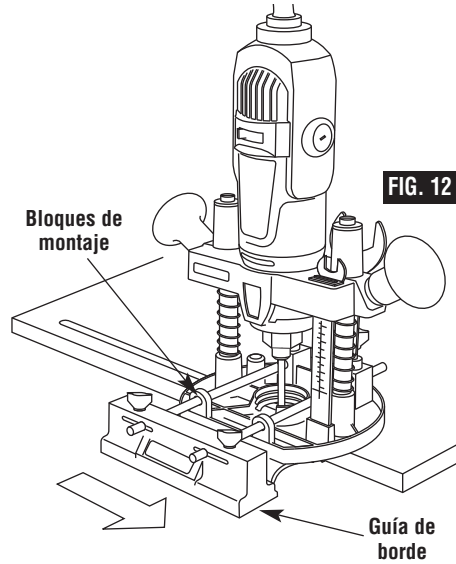
Guía de borde

Instalación

1. Instale la guía de borde en los bloques de montaje de la fresadora de descenso vertical (Fig. 12).
2. Coloque la guía paralela contra la superficie de trabajo con la broca de fresadora en la posición deseada.
3. Apriete los tornillos de apriete manual.

Fresado con la guía de borde

Deslice el lado aplanado de la guía de borde a lo largo de la superficie de trabajo.



Fresado de arcos y círculos

1. Quite la guía de borde y acople el soporte de la guía de círculos a las varillas de guía (Fig. 13)
2. Utilice el clavo de acabado suministrado como punta de compás. Ajuste la guía de círculos para lograr el radio deseado.
3. Coloque el clavo a través del agujero que está en la guía y coloque el clavo en el centro del radio deseado que se vaya a cortar.

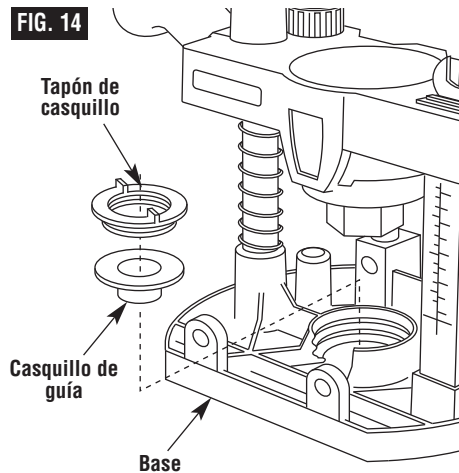
Plantillas

La utilización de patrones de plantilla permite duplicar diseños o letras de modo uniforme una y otra vez. Esta técnica requiere el uso de un casquillo de guía.

CASQUILLOS DE GUÍA

El casquillo de guía mostrado en la Fig. 14 es esencialmente una placa con un collarín que se introduce a través del agujero de la base de la manera que se muestra en la ilustración y se sujeta enroscando un tapón de casquillo sobre el casquillo de guía. El casquillo de guía se desplaza a lo largo del borde de la plantilla mientras que la broca de fresadora, que sobresale por debajo, corta penetrando en la pieza de trabajo.

FIG. 14



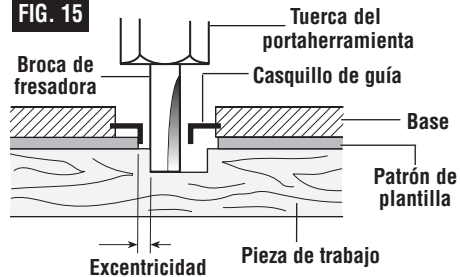
ATENCIÓN: Asegúrese de que el grosor de la plantilla sea el mismo o mayor que la longitud del casquillo que sobresale por debajo de la base.

No utilice una broca que pueda tocar el interior del collarín. Seleccione una broca cuyo diámetro sea al menos 1/16" más pequeño.

Además, es fácil preparar plantillas especiales para cortar patrones repetidos, diseños especiales, incrustaciones y otras aplicaciones. Un patrón de plantilla se puede hacer de madera contrachapada, tablero de aglomerado, metal o incluso plástico, y el diseño se puede cortar con una fresadora, una sierra caladora u otra herramienta de corte adecuada.

Recuerde que el patrón tendrá que hacerse de modo que se compense la distancia entre la broca de fresadora y el casquillo de guía (la "excentricidad"), ya que la pieza de trabajo final diferirá en tamaño del patrón de plantilla en esa cantidad, debido a la posición de la broca (Fig. 15).

FIG. 15



FRESADO A PULSO

Muchos efectos se logran utilizando la fresadora a pulso con una broca de diámetro pequeño. Normalmente, el artesano dibuja a lápiz el contorno o la inscripción que desea en la pieza de trabajo y utiliza la línea de lápiz como guía.

Garantía limitada de Dremel®

Su producto Dremel está garantizado contra defectos de material o de fabricación durante un período de un año a partir de la fecha de compra. En caso de que un producto no se ajuste a esta garantía escrita, por favor, tome las medidas siguientes:

1. NO devuelva el producto al lugar de compra.
2. Empaque el producto cuidadosamente y solo, sin otros artículos, y envíelo con el porte pagado junto con:
 - A. Una copia de la prueba de compra fechada (por favor, conserve una copia para usted).
 - B. Una explicación por escrito de la naturaleza del problema.
 - C. Su nombre, dirección y número de teléfono a:

ESTADOS UNIDOS
Dremel Service Center
4915 21st Street
Racine, WI 53406

O

CANADÁ
 Giles Tool Agency
 47 Granger Av.
 Canada M1K 3K9 1-416-287-3000

FUERA DE LOS TERRITORIOS CONTINENTALES DE LOS EE.UU.

Vea al distribuidor local o escriba a Dremel, 4915 21st Street Racine, WI 53406

Recomendamos que el paquete sea asegurado contra pérdida o daños durante el transporte por los cuales no podemos ser responsables.

Esta garantía tiene validez únicamente para el comprador original inscrito. LOS DAÑOS AL PRODUCTO PRODUCIDOS POR MANIPULACION INCORRECTA, ACCIDENTE, ABUSO, NEGLIGENCIA, REPARACIONES O ALTERACIONES NO AUTORIZADAS, ACCESORIOS NO APROBADOS U OTRAS CAUSAS NO RELACIONADAS CON PROBLEMAS DEL MATERIAL O LA FABRICACION NO ESTAN CUBIERTOS POR ESTA GARANTIA.

Ningún empleado, agente, distribuidor, ni ninguna otra persona está autorizado a dar ninguna garantía en nombre de Dremel. Si la inspección de Dremel demuestra que el problema fue causado por problemas con el material o la fabricación dentro de los límites de la garantía, Dremel reparará o reemplazará el producto gratuitamente y devolverá el producto con el porte pagado. Las reparaciones necesarias debido al desgaste normal o al abuso, o las reparaciones de productos que se encuentren fuera del período de garantía, en caso de que se puedan realizar, se cobrarán a precios de fábrica normales.

DREMEL NO DA NINGUNA OTRA GARANTIA DE NINGUN OTRO TIPO, EXPRESA O IMPLICITA, Y TODAS LAS GARANTIAS IMPLICITAS DE COMERCIABILIDAD E IDONEIDAD PARA UN PROPOSITO ESPECIFICO QUE EXCEDEN LA OBLIGACION MENCIONADA ANTERIORMENTE QUEDAN POR LA PRESENTE RECHAZADAS POR PARTE DE DREMEL Y ESTAN EXCLUIDAS DE ESTA GARANTIA LIMITADA.

Esta garantía le confiere a usted derechos legales específicos y es posible que usted también tenga otros derechos que varían de un estado a otro. La obligación del garante consiste únicamente en reparar o reemplazar el producto. El garante no es responsable de ningún daño incidental o emergente debido a cualquiera de dichos defectos alegados. Algunos estados no permiten la exclusión o limitación de los daños incidentales o emergentes, por lo que es posible que las limitaciones o la exclusión anteriores no sean aplicables en el caso de usted.

Para precios y cumplimiento de la garantía en los territorios continentales de los Estados Unidos, póngase en contacto con el distribuidor local Dremel.

Exportado por: © Robert Bosch Tool Corporation Mt. Prospect, IL 60056 -2230, E.U.A.

Importado a México por: Robert Bosch, S. de R.L. de C.V.
 Calle Robert Bosch No. 405 - 50071 Toluca, Edo. de Méx. - México
 Tel. 052 (722) 279 2300 ext 1160 / Fax. 052 (722) 216-6656



Free Manuals Download Website

<http://myh66.com>

<http://usermanuals.us>

<http://www.somanuals.com>

<http://www.4manuals.cc>

<http://www.manual-lib.com>

<http://www.404manual.com>

<http://www.luxmanual.com>

<http://aubethermostatmanual.com>

Golf course search by state

<http://golfingnear.com>

Email search by domain

<http://emailbydomain.com>

Auto manuals search

<http://auto.somanuals.com>

TV manuals search

<http://tv.somanuals.com>