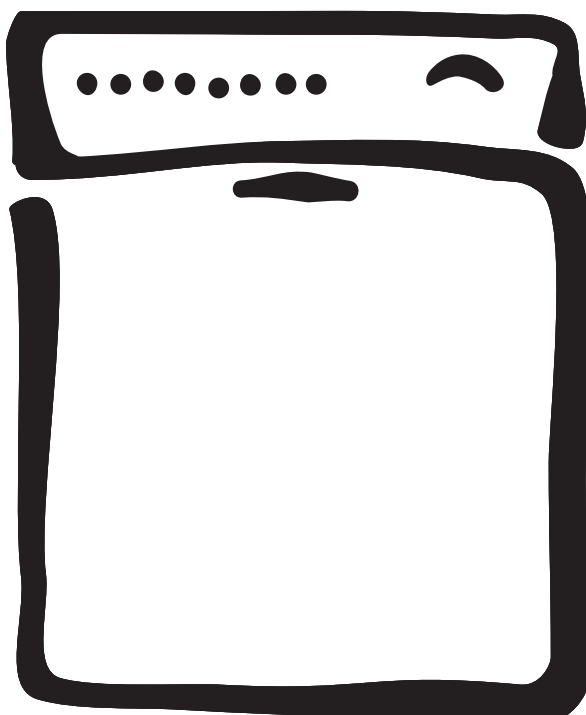


D i s h w a s h e r

# User Instructions



*ESF 6220*

## Dear customer,

Please read these user instructions carefully. Above all please observe the safety instructions on the first few pages of these user instructions! Please keep these user instructions for later reference. Pass them on to any subsequent owner of the appliance.



The warning triangle and/or specific words (**Warning!**, **Caution!**, **Important!**) are used to highlight instructions that are important for your safety or for the function of the appliance. It is imperative that these instructions are observed.

This symbol or numbered instruction steps lead you step for step through the operation of the appliance.



Next to this symbol you receive additional information and practical tips on using the appliance.



Tips and instructions for the economical and environmentally conscious use of the appliance are marked with a clover leaf.

In the event of a malfunction, these operating instructions contain information on how to rectify faults yourself, see the "What to do, if..." section.

If these instructions are insufficient, please contact your nearest customer service centre.

In the case of technical problems, our customer service organisation is available to provide you with assistance at any time (you will find addresses and telephone numbers in the "Customer Service Centres" section).

In this respect please read the "Service" note on the rear of these user instructions.

# Contents

<b>Safety Instructions</b> .....	5
Dishwasher door safety catch .....	6
<b>Disposal</b> .....	7
<b>Economical and Ecological Dishwashing</b> .....	7
<b>Appliance Features and Control Panel</b> .....	8
Control Panel .....	9
<b>Prior to using for the first time</b> .....	9
Water softener .....	10
Setting the water softener .....	10
Filling with Special Salt for the Water Softener .....	12
Filling with Rinse Aid .....	13
Adjusting Rinse Aid Dosing .....	13
<b>In Daily Use</b> .....	14
Loading cutlery and dishes .....	14
Loading Cutlery .....	15
Loading Pans, Frying Pans and Large Plates .....	16
Loading Cups, Glasses and Coffee Services .....	17
Adjusting the Height of the Upper Basket .....	17
Filling with Detergent .....	18
Use of "3 in 1"/ Combi Detergent Tablets .....	19
Concentrated Detergent .....	19
Selecting the Wash Programme (Programme Table) .....	20
Starting a dishwashing cycle .....	22
Changing/interrupting/aborting a dishwashing cycle .....	22
Load Sensing .....	22
Switching Off the Dishwasher .....	22
<b>Care and Cleaning</b> .....	23
Cleaning the filters .....	23
<b>What to do, when ...</b> .....	25
...Error messages are displayed. ....	25
...there are problems operating the dishwasher. ....	26
...the wash results are unsatisfactory. ....	26
<b>Technical Data</b> .....	27
<b>Notes for Test Institutes</b> .....	28

# Contents

<b>Installation and Connection Instructions</b> .....	30
<b>Installing the Dishwasher</b> .....	30
Dishwashers That Can Be Integrated .....	30
Built-In Dishwasher .....	31
Free-Standing Appliances .....	31
<b>Connecting the Dishwasher</b> .....	32
Water Connection .....	32
Permitted water pressure .....	32
Connect the inlet hose .....	32
Water drain .....	34
Leak Prevention System .....	35
Electrical connection .....	35
Connections .....	36
<b>Service</b> .....	39



# Safety Instructions

The safety aspects of ELECTROLUX electrical appliances comply with accepted technical standards and the German Appliance Safety Law. Nevertheless, as a manufacturer we consider it our obligation to make you aware of the following safety information:

## Installation, Connection and Placing into Operation

- The dishwasher may only be transported upright.
- Check the dishwasher for transport damage. Do not in any circumstances connect an appliance that is damaged. In the case of damage, please contact your supplier.
- Prior to placing the appliance in operation, ensure that the nominal voltage and type of supply on the rating plate match that of the supply where the appliance is to be installed. The fuse rating is also to be found on the rating plate.
- For information on how to correctly install and connect up your dishwasher, please read the "Installation" section. Multiway plugs / connectors and extension cables must not be used. This could constitute a safety hazard.

## Child Safety

- Children often do not recognise the hazards associated with the use of electrical appliances. It is therefore important that you ensure children are adequately supervised and that you do not allow children to play with the dishwasher – there is a risk that children can shut themselves inside the appliance (risk of suffocation!).
- Packaging materials (e.g. films, styrofoam) can be dangerous for children. Risk of suffocation! Keep packaging away from children.
- Detergents can cause burns to the eyes, mouth, and throat, or even cause choking! Please observe the manufacturer's safety instructions for cleaners and detergents.
- The water in your dishwasher is not suitable for drinking. If there are still remnants of detergent in the appliance, there is a risk of burns!
- When disposing of the dishwasher: unplug from the mains, cut off and dispose of the mains cable. Break the door lock so that the door no longer shuts.

## General Safety

- Repairs to the dishwasher are only to be carried out by qualified service engineers. Improper repairs can give rise to significant hazards for the user. If your appliance needs repairing, please contact customer service or your dealer.

- Never place the dishwasher in operation if the mains cable, water inlet or drain hose is damaged; or the control panel, work top or plinth area is damaged such that the inside of the appliance is freely accessible.
- If the mains lead is damaged, or is to be replaced for a longer lead, the cable (obtainable from ELECTROLUX customer service) must be changed by a service engineer authorised by ELECTROLUX.
- Never unplug the appliance by pulling on the cable, always pull the plug.
- Additions or modifications to the dishwasher are not permitted for safety reasons.
- Ensure that the door of the dishwasher is always closed when it is not being loaded or unloaded. In this way you will avoid anybody tripping over the open door and hurting themselves.
- Sharp knives and items of cutlery with sharp edges must be placed in the cutlery tray or in the upper rack.

## Correct Use

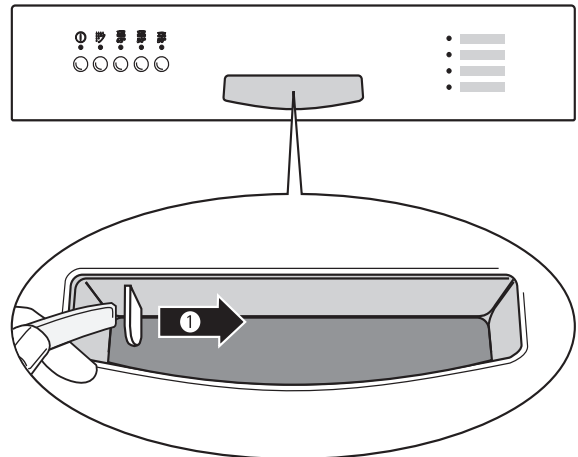
- Only wash household dishes using the dishwasher. If the appliance is used for other purposes, or is used incorrectly, the manufacturer cannot accept any liability for any damage caused.
- Prior to use, ensure that the manufacturers of the special salt, detergent, and rinse aid employed specifically permit the usage of their products in household dishwashers.
- Do not put any solvents in the dishwasher. There is a risk of an explosion!
- The anti-flood system provides dependable protection against damage due to leaks. For this system to function correctly, the following preconditions must be met:
  - The appliance must remain connected to the mains even when it is switched off.
  - The dishwasher must be correctly installed.
  - Always shut off the water supply at the tap when the dishwasher is not to be used for longer periods, e.g. when you are away on holiday.
- Do not sit or stand on the open door, the appliance may tip over.
- In the event of a fault, first close the tap, then switch off the appliance and unplug it from the mains. If the appliance is permanently wired to the mains: switch off the fuse(s) or unscrew them.

# Dishwasher door safety catch

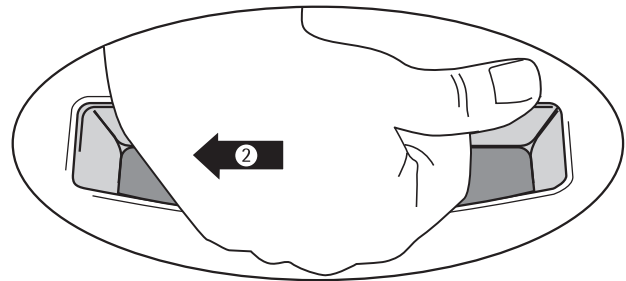
The dishwasher has a door safety catch. This safety catch prevents children opening the dishwasher door by mistake.

You can set the door safety catch as follows:

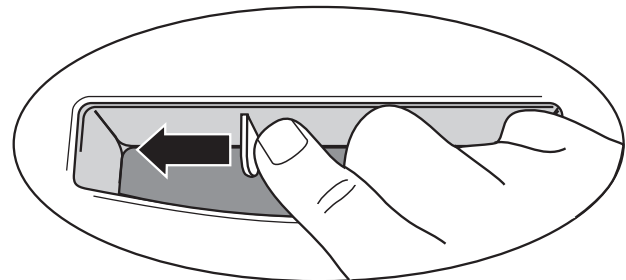
1. There is a catch on the left inside the door handle (1). To ensure that the dishwasher door cannot be opened unintentionally, push this catch across to the right (eg. with the handle of a spoon).



2. To open the dishwasher door once the safety catch has been set you must
  - first move the door handle to the left (2) until you feel slight resistance.
  - then pull the door handle forwards.



3. To cancel the dishwasher door safety catch, push the catch completely across to the left with your finger.



# Disposal


## Packaging material



The packaging materials are environmentally friendly and can be recycled. The plastic components are identified by markings, e.g. >PE<, >PS<, etc. Please dispose of the packaging materials in the appropriate container at the community waste disposal facilities.

## Old appliance



The symbol  on the product or on its packaging indicates that this product may not be treated as household waste. Instead it shall be handed over to the applicable collection point for the recycling of electrical and electronic equipment. By ensuring this product is disposed of correctly, you will help prevent potential negative consequences for the environment and human health, which could otherwise be caused by inappropriate waste handling of this product. For more detailed information about recycling of this product, please contact your local city office, your household waste disposal service or the shop where you purchased the product.



**Warning!** When your appliance has finished its working life, remove the plug from the socket. Cut off the cable and plug and dispose of them.

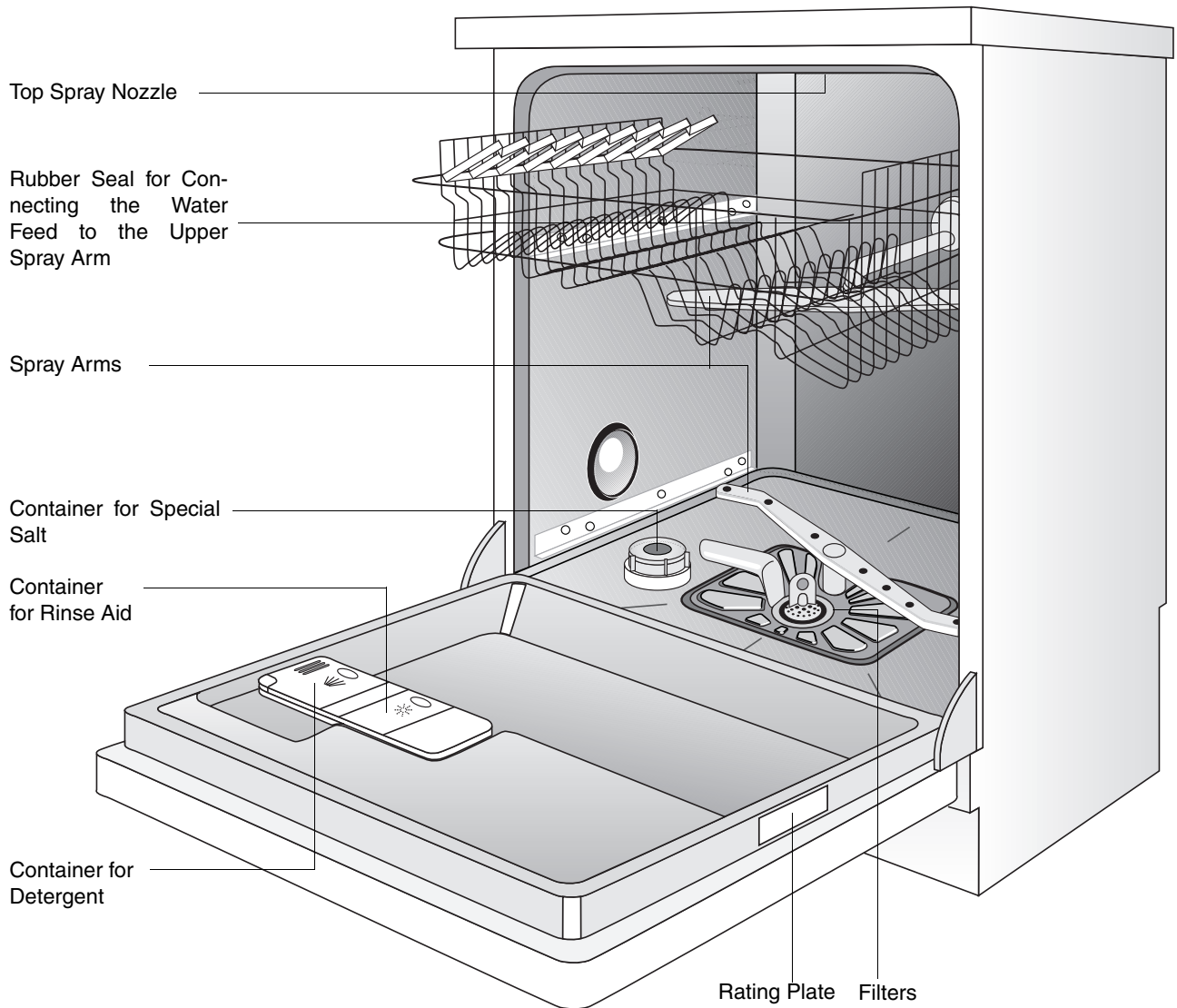
Break the door lock so that the door no longer shuts. This prevents children from trapping themselves inside and endangering their lives.



## Economical and Ecological Dishwashing

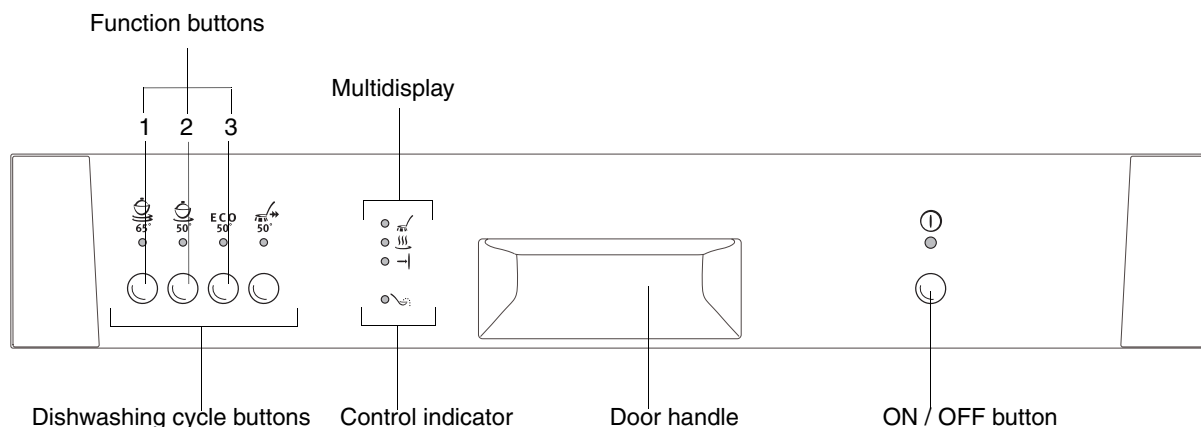
- Only connect the dishwasher to the hot water supply if your hot water is not electrically heated.
- Ensure that the water softener is correctly adjusted.
- Do not pre-rinse dishes under running water.
- When you wash a small load, the load sensor calculates the amount of water necessary and shortens the programme. It is more economical to always wash with a full load.
- Select the wash programme to suit the nature and degree of the soiling on the dishes.
- Do not use more detergent, special salt or rinse aid than is recommended in these operating instructions and by the manufacturer of the respective product.

# Appliance Features and Control Panel





# Control Panel



The **control field** comprises the ON/OFF button and the cycle programme buttons with LED indicators.

**Function buttons:** In addition to the dishwashing cycle selected, the following functions can also be set with the help of these buttons:

<b>Function button 1</b>	Set water softener
<b>Function button 2</b>	- not programmed -
<b>Function button 3</b>	- not programmed -

The 3 lights on the **multidisplay** can display :

- : Top light
- : Middle light
- : Bottom light

- the current stage of the wash program selected.
- which fault has occurred in the dishwasher.

**Control indicator** has the following significance:

	Refill with salt
--	------------------

**i** The control indicator never lights up while a wash program is running.

## Prior to using for the first time

Prior to using for the first time, remove all the clips with which the dish racks are secured for transport. Then perform the following steps:

1. Adjust the water softener
2. Filling with Special Salt for the Water Softener
3. Filling with Rinse Aid

**i** Special salt and rinse aid must not be added if you use 3-in-1 detergent tablets.

# Water softener

To avoid scale deposits on the dishes and in the dishwasher, the dishes must be washed with soft water, i.e. water with a low lime content. The dishwasher therefore has a built-in water softener, in which tap water with a hardness of 4°d (German degree) and harder is softened with the aid of special salt.



Your water supplier will be able to inform you about the hardness and hardness range of the water in your area.

The water softener can be set manually using the water hardness switch; it can also be set electronically using the buttons on the control panel..

Water hardness			Adjusting the hardness setting		Number of flashes of the LED indicator for the end of the dishwashing cycle
in °d <sup>1</sup>	in mmol/l <sup>2</sup>	range	Manually	Electronically	
51 - 70	9.0 - 12.5	IV	1	10 <sup>3</sup>	10
43 - 50	7.6 - 8.9			9	9
37 - 42	6.5 - 7.5			8	8
29 - 36	5.1 - 6.4			7	7
23 - 28	4.0 - 5.0			6	6
19 - 22	3.3 - 3.9	III	0 *	5	5
15 - 18	2.6 - 3.2			4 *	4
11 - 14	1.9 - 2.5	II		3	3
4 - 10	0.7 - 1.8	I/II		2	2
under 4	under 0.7	I		1	1
				no salt necessary	

1)(°d) German degree, measure of the hardness of water

2)[mmol/l] millimol per litre, international unit for the hardness of water

3)On this setting the length of the dishwashing cycle may be slightly longer.

\* factory setting

## Setting the water softener

Adjusting the water softener to the setting given in the table that corresponds to the hardness of the water in your area:

The dishwasher must be switched off.

### Setting manually:

1. Open the dishwasher door.
2. Remove the lower rack from the dishwasher.
3. Turn the hardness range switch to 0 or 1 (see table).
4. Replace the lower rack.

### Setting electronically:

1. Press the ON/OFF button.  
The LED in the ON/OFF button will become illuminated.

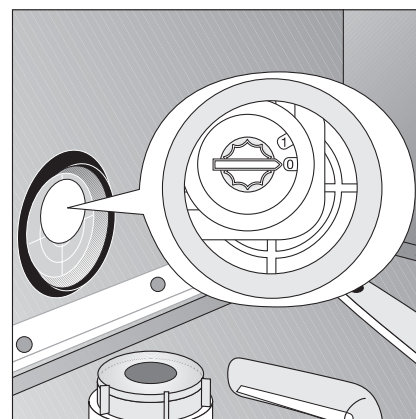


If other indicators are also illuminated, this means that a dishwashing cycle has been activated. The dishwashing cycle must be deselected (RESET):

Press function buttons **2** and **3** simultaneously for approx. 2 seconds.

All other indicators will go out.

2. Press the function buttons **2** and **3** simultaneously and keep them pressed.  
The LED indicators in function buttons 1 to 3 will flash.



3. Press function button **1** again.  
The LED indicator for function button 1 and the LED indicator for the end of the dishwashing cycle will flash:
  - The number of flashes of the LED indicator for the end of the dishwashing cycle corresponds to the hardness setting.
  - This sequence of flashes is repeated many times, with a 3 second pause in between.
4. Pressing function button **1** increases the hardness setting by 1 degree. (Exception: hardness setting 1 follows hardness setting 10).
5. When the hardness setting is correct, press the ON/OFF button.  
The hardness setting is now saved.


# Filling with Special Salt for the Water Softener



Use only special salt for dishwashers. Never fill the salt container with any another type of salt (e.g. culinary salt) or dishwasher detergent. This would irreparably damage the water softener.

Prior to filling with salt, please check each time that you really do have a packet of special salt in your hand.

## Fill with special salt:

- Prior to using the dishwasher for the first time
- When the SALT indicator  on the control panel is illuminated.



If the water hardness in your area is less than 4 °d, you do not need to use special salt.


1. Open the door, remove the lower rack.
2. Undo the lid on the salt container by turning it anti-clockwise.
3. **Only when using for the first time:** fill the salt container with water.
4. Place the funnel supplied on the container opening.  
Fill the container with special salt through the funnel; the capacity of the container is approx. 1.0-1.5 kg depending on the grain size. Do not overfill the salt container with special salt.



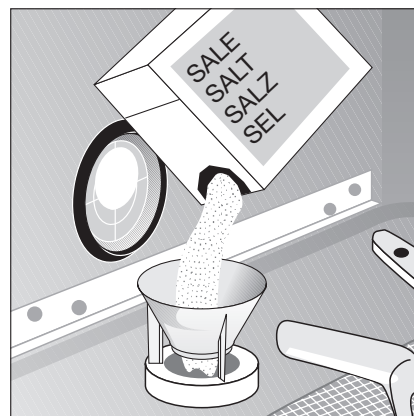
The water expelled by filling the salt container with special salt runs out of the salt container onto the base of the washing compartment. This is not a cause for concern, the water will be pumped out at the start of the next wash programme.

5. Clean any salt remnants on the container opening.
6. Turn the lid clockwise to the stop, otherwise special salt will leak into the wash water, this could lead to poor wash results. To avoid this run a rinse program after filling the salt container with special salt. This will wash away salt water and any salt crystals that have been spilt.



Depending on the size of the salt grains, it can take several hours for the salt to dissolve in the water and the special salt indicator  to extinguish.

The setting of the water softener and thus the consumption of salt are dependent on the hardness of the local water.



## Filling with Rinse Aid

Rinse aid ensures that your dishes gleam and are free from spots, and that your glasses are clear.



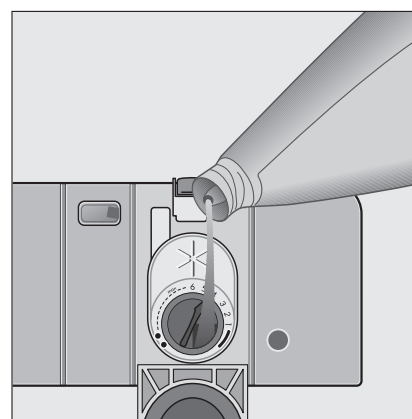
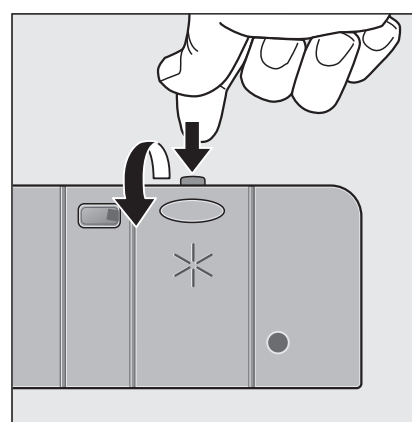
Use only branded rinse aid for dishwashers. Never fill the rinse aid container with any other substance (e.g. concentrated vinegar). This would damage the appliance.

### Fill with rinse aid:

- Prior to using the dishwasher for the first time.
- When a dark point surrounded by a light ring is to be seen in the indicator window on the container. If there is rinse aid in the container, the indicator window is uniformly dark.

The rinse aid compartment is on the inside of the dishwasher door.

1. Open the door.
2. Press the rinse aid compartment release button with your finger.
3. Fully open the rinse aid compartment lid.
4. Fill with rinse aid exactly up to the level marked "max"; this corresponds to a quantity of approx. 140 ml.
5. Close the lid and press until it locks into place.
6. Wipe up any spilt rinse aid with a cloth. Otherwise too much foam will be formed during the wash.

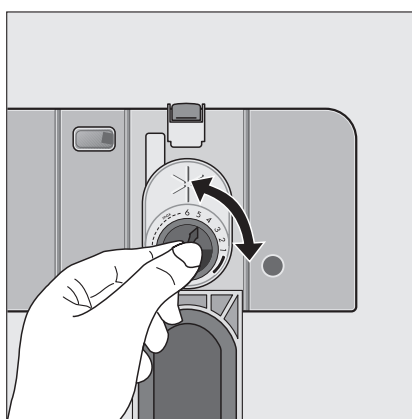


### Adjusting Rinse Aid Dosing



As the dishes are washed rinse aid is released from the dispenser into the wash water. The dose is factory set at 4, and can be adjusted from 1 to 6. Only change the setting if streaks, milky spots or dried on water marks are visible on glasses or crockery.

1. Open the door of the dishwasher.
2. Press the rinse aid compartment release button with your finger.
3. Fully open the rinse aid compartment lid.
4. Set the dose level.
5. Close the lid and press until it locks into place.
6. If rinse aid has run out, wipe up with a cloth.



# In Daily Use

- Is it necessary to refill with special salt or rinse aid?
- Load cutlery and dishes into the dishwasher
- Fill with dishwasher detergent
- Select a wash programme suitable for the cutlery and dishes
- Start the wash programme

## Loading cutlery and dishes



Sponges, household cloths and any object that can absorb water may not be washed in the dishwasher.

For washing in the dishwasher the following cutlery/dishes	
are not suitable:	are of limited suitability:
<ul style="list-style-type: none"> <li>– Cutlery with wooden, horn, china or mother of pearl handles</li> <li>– Plastic items that are not heat resistant</li> <li>– Older cutlery with cement that is not temperature resistant</li> <li>– Bonded cutlery items or dishes</li> <li>– Pewter or copper items</li> <li>– Lead crystal glass</li> <li>– Steel items subject to rusting</li> <li>– Wooden platters</li> <li>– Items made from synthetic fibres</li> </ul>	<ul style="list-style-type: none"> <li>– Only wash stoneware in the dishwasher if it is specifically marked as being dishwasher-safe by the manufacturer.</li> <li>– Glazed patterns may fade if machine washed frequently.</li> <li>– Silver and aluminium parts have a tendency to discolour during washing. Left-overs, e.g. egg white, egg yolk and mustard often cause discolouring and staining on silver. Therefore always clean left-overs from silver immediately, if it is not to be washed straight after use.</li> <li>– Some types of glass can become dull after a large number of washes.</li> </ul>

- Before loading the dishes, you should:
  - Remove large left-overs.
  - Soften remnants of burnt food in pans.
- When loading the dishes and cutlery, please note:
  - Dishes and cutlery must not impede the rotation of the spray arms.
  - Load hollow items such as cups, glasses, pans, etc. with the opening downwards so that water cannot collect in the container or a deep base.
  - Dishes and items of cutlery must not lie inside one another, or cover each other
  - To avoid damage to glasses, they must not touch
  - Do not lay small objects (e.g. lids) in the cutlery rack

## Loading Cutlery



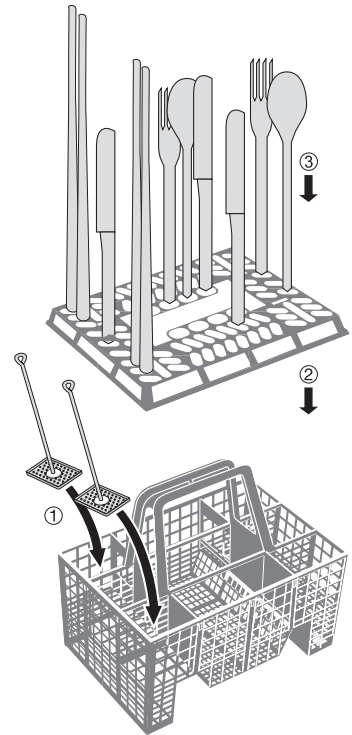
If they are placed in the cutlery basket, long, **pointed items of cutlery** are a hazard, particularly to children (see Safety Instructions). They must therefore be laid horizontally in the **upper basket**.

To ensure that all cutlery is efficiently washed and reached by the water you should:

1. position the two chopstick holders in the corners of the cutlery basket,
2. place the latticed insert on the cutlery basket,
3. place short knives, forks and spoons with the handle downwards and chopsticks into the latticed insert of the cutlery basket.



Chopsticks may only be placed on the chopstick holders in the cutlery basket as otherwise they would fall through the basket and block the lower spray arm.



## Loading Pans, Frying Pans and Large Plates

Load large and heavily soiled dishes in the lower rack (Plates up to 29cm in diameter).

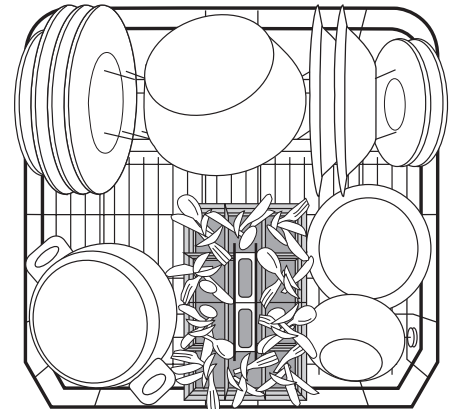
Your dishwasher has one of the following two types of lower rack:

### Type 1: The rear plate insert in the lower rack can be removed



To make it easier to load large dishes, it is possible

- to remove the plate inserts from the lower rack.
- to move the cutlery basket sideways.

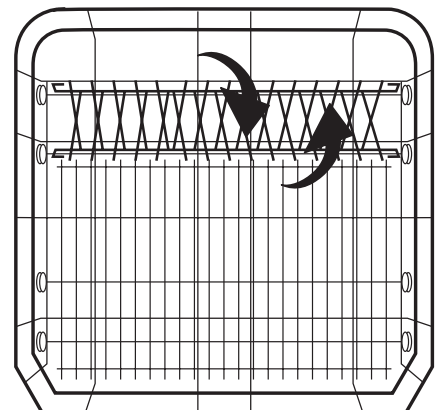


### Type 2: The rear plate insert in the lower rack can be folded on its side



To ease the loading of large items,

- the two rows of prongs in the rear plate insert can be folded across one another.
- the cutlery rack in the lower rack can be moved to the side.

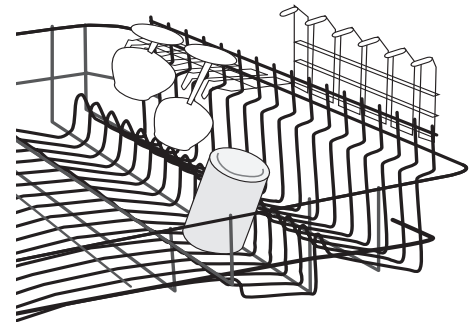
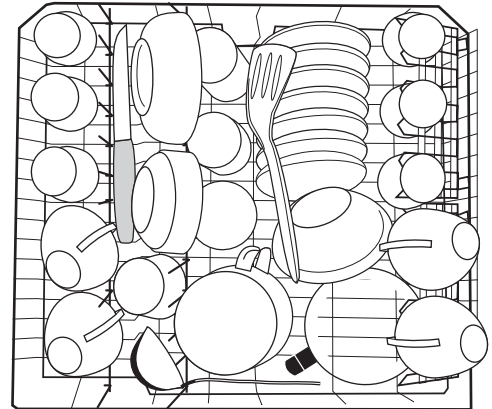




## Loading Cups, Glasses and Coffee Services

Load small, delicate items and long pointed cutlery in the upper rack.

- Arrange plates and dishes offset on and under the folding cup racks so that washing water can reach all items.
- The cup racks can be folded up out of the way for tall items.
- Lay or hang wine, champagne, and brandy glasses in the cut outs on the cup racks.
- Glasses, beakers, etc. can also be placed on the two rows of prongs on the left of the upper rack.



## Adjusting the Height of the Upper Basket

	Maximum Height of the Dishes in the	
	Upper Rack	Lower Rack
With upper basket raised	22 cm	30 cm
With upper basket lowered	24 cm	29 cm



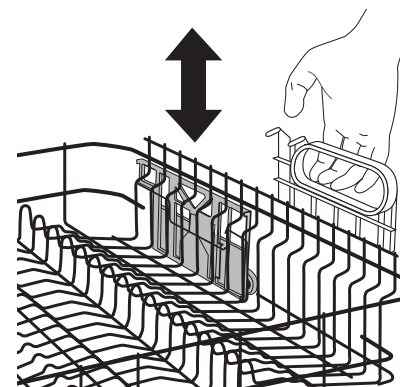
The height of the basket can also be adjusted when it is loaded.

### Lowering the Upper Basket:

1. Pull the upper basket out completely.
2. Holding the upper basket by the handle, lift it as far as it will go and then lower it vertically. The upper basket will engage in the lower position.

### Raising the Upper Basket:

1. Pull the upper basket out completely.
2. Holding the upper basket by the handle, lift it as far as it will go and then lower it vertically. The upper basket will engage in the higher position.



# Filling with Detergent



Only use dishwasher detergent.

## Fill with detergent:

Prior to the start of a wash programme (not for the pre wash programme). The detergent is released into the wash water during the programme.



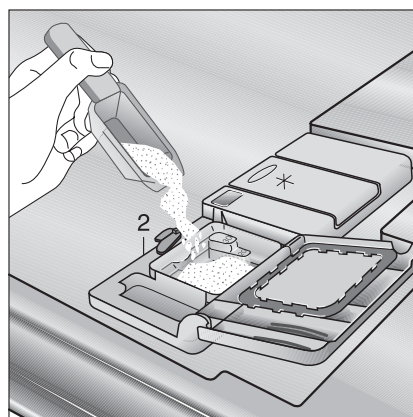
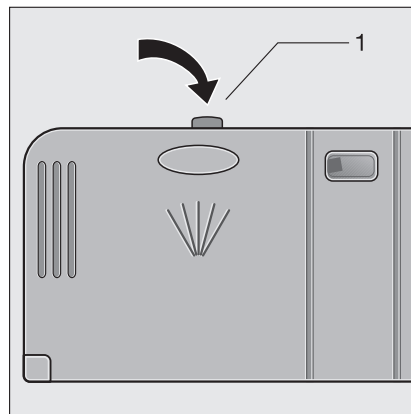
Please observe the manufacturer's dosing and storage recommendations as stated on the detergent packaging.

The detergent compartment is on the inside of the dishwasher door.

1. If the lid is closed:  
press release button (1).  
The lid springs open.
2. Fill the detergent dispenser with detergent. The markings indicate the dosing levels:  
"20" corresponds to approx. 20 ml of detergent,  
"30" corresponds to approx. 30 ml of detergent.
3. Close the lid and press until it locks into place.



If the dishes are very heavily soiled put additional detergent into the adjacent chamber (2). This detergent will take effect during the pre wash.



## Use of "3 in 1"/ Combi Detergent Tablets

### General Advice

These products are tablets with combined detergent/ rinse-aid and salt functions.

1. Before using these products you should first check that the water hardness in your supply is compatible with the use of these products as per the detergent manufacturers instructions (on the product packaging).
2. These products should be strictly used according to the detergent manufacturers instructions.



**Do not place the tablets in the tub or the cutlery basket as this will result in poorer wash results. The tablets should be placed in the detergent doser.**

3. If you encounter problems when using "3 in1" products for the first time then please contact the detergent manufacturers care line (the telephone number is given on the product packaging).

### Special Advice

When using combination products, the rinse-aid and salt lights are no longer useful. It may be helpful therefore to switch the rinse aid off - please note that only some dishwashers have this facility - and selecting the lowest possible setting for water hardness.

For more information please refer to your instruction manual.

If you decide to switch to the use of a standard detergent system we advise that you:

- Refill both the salt and rinse aid compartments.
- Switch the waterhardness setting to the highest possible position and run for three normal cycles without a load.
- Readjust the waterhardness setting again according to the conditions for your region (as per the instruction manual).

## Concentrated Detergent

Based on their chemical composition, dishwasher detergents can be split into two basic types:

- **conventional**, alkaline **detergents** with caustic components.
- low alkaline **concentrated detergents** with natural enzymes.



The use of 50 °C wash programmes in conjunction with concentrated detergents reduces pollution and is good for your dishes; these wash programmes are specially matched to the dirt-dissolving properties of the enzymes in the concentrated detergent. For this reason 50 °C wash programmes in which concentrated detergents are used can achieve the same results that can otherwise only be achieved using 65 °C programmes.




## Detergent Tablets



**Detergent tablets** of different makes dissolve at different speeds. For this reason some detergent tablets cannot develop their full cleaning power during short programmes. Therefore please use wash programmes with pre wash when using detergent tablets.

# Selecting the Wash Programme (Programme Table)

Choose the most suitable wash programme with the aid of this table:

Type of Dishes:	Dinner service and Pans			Coffee and Party Dishes
in addition:	–	with dishes that are sensitive to changes in temperature		
Type of Soiling:	normal soiling; dried onleft-overs	normal soiling	normal soiling	slight soiling
		particularly suitable when concentrated detergents are used.		
Suitable Wash Programme:	↓	↓	↓	↓
Press programme button:		 <sup>3)</sup>	<b>ECO</b> 50°	
Programme Sequence <sup>1)</sup>	Pre wash Main wash 2 rinsing Final rinse Drying	Pre wash Main wash Rinsing Final rinse Drying	– Main wash Rinsing Final rinse Drying	– Main wash Rinsing Final rinse –
Consumption Figures: <sup>2)</sup>	↓	↓	↓	↓
Duration	110 - 120 minutes	120 - 130 minutes	75 - 85 minutes	39 minutes
Energy	1,75 - 1,95 kWh	0,95 - 1,05 kWh	1,05 - 1,15 kWh	0,8 kWh
Water	19 - 21 litres	14 - 16 litres	12 litres	12 litres

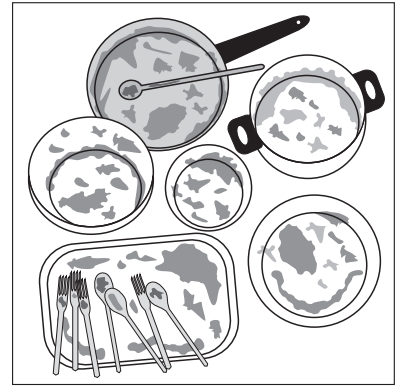
1) The various stages in the wash programme have different sounds because the dishes are washed more intensely for short periods during certain stages of the wash programme to improve cleaning.

2) The consumption figures were determined under standard conditions. They are intended as a guide only and depend on the loading. Variations can occur during normal usage.

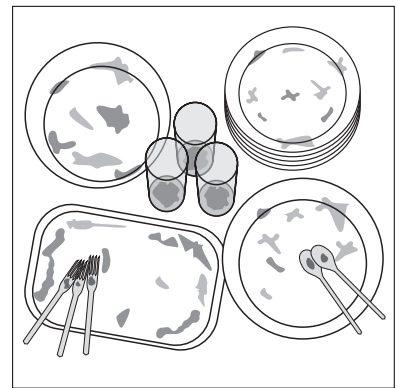
3) Test programme

## Selecting a programme

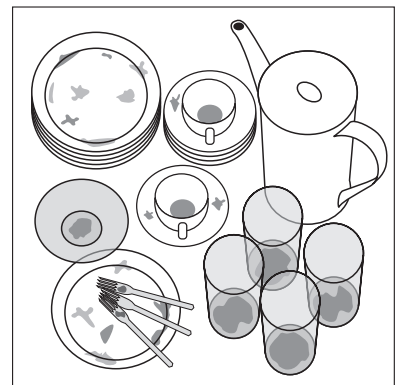
When your dishes look like this, select:  
an intensive programme.



a normal or energy-saving programme.


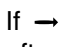


a short programme (e.g. 30 minute programme).




## Starting a dishwashing cycle


1. Check that the dishes and cutlery are stacked in the dishwasher in such a way that the spray arms are free to rotate.
2. Turn on the tap fully.
3. Close the door.
4. Press the ON/OFF button.  
The LED in the ON/OFF button will become illuminated.
5. Press the relevant button for the cycle required (see "Cycle Table").  
The cycle indicator will become illuminated and the respective cycle stages in the cycle progress display will flash.  
The selected cycle will begin after approximately 3 seconds.  
Only the current stage of the cycle will continue to flash in the cycle progress display.

 If  flashes in the cycle progress display after the cycle has started, please read the section "What to do if...".

## Changing/interrupting/aborting a dishwashing cycle


 Only change or interrupt a dishwashing cycle that is in progress if it is absolutely necessary. After the appliance has been closed again, the air that has entered will be heated significantly and expand. As a result, water may collect in the base of the appliance and trigger the anti-flood system.

### Changing a dishwashing cycle

 If you would like to change the dishwashing cycle in the first 3 seconds after having selected a cycle, briefly press the button for the new dishwashing cycle.  
If you would like to change the dishwashing cycle after this time, proceed as follows:

1. Press the button for the new dishwashing cycle and hold it down.  
First, the indicator for the dishwashing cycle that is currently running will flash.  
After several seconds only the indicator for the new dishwashing cycle will be flashing.
2. Release the cycle button.  
The newly selected dishwashing cycle will begin.


### Interrupting the dishwashing cycle by opening the dishwasher door

 Hot steam may escape when the door is opened. There is a risk of scalding. Open the door carefully.

1. Open the door of the dishwasher.  
The dishwashing cycle will stop.
2. Close the door.  
The dishwashing cycle will continue.

### Aborting the dishwashing cycle (RESET)

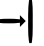
1. Press function buttons **2** and **3** and keep them pressed.  
The cycle display for the current cycle will flash for several seconds and then cease to be illuminated.
2. Release the function buttons.  
The dishwashing cycle has been aborted.

 Turning off the dishwasher will only interrupt a selected dishwashing cycle, not abort it. The dishwashing cycle will recommence after turning the dishwasher back on again.


### Load Sensing

If a wash programme is started even though there are only a few dishes in the upper and/or lower rack, an intelligent electronic system adjusts the amount of water and the duration of the wash programme to the number of dishes. By this means it is possible to wash only a few dishes quickly and economically. At half load (6 place settings), up to 2 litres of water and 0.2 kWh of electricity are saved.

## Switching Off the Dishwasher


Switch off the dishwasher when  is illuminated on the programme progress display.

1. Press the ON/OFF button. The ON/OFF button indicator extinguishes.


 Hot steam may escape from the appliance when opening the door immediately after the end of the programme. Therefore:

2. Open the door carefully.

### Emptying the Dishwasher


- 
- Hot dishes are sensitive to knocks. The dishes should therefore be allowed to cool down before removing them from the appliance.
  - Leave the dishes in the dishwasher for approx. 15 minutes after the end of the programme so that they dry better and can cool down.
  - First empty the lower rack, and then the upper rack. By using this procedure you will avoid any water that may be remaining in the upper rack, dripping onto the dishes in the lower rack and leaving water marks.

# Care and Cleaning


 Do not under any circumstances use furniture care products or aggressive cleaners.

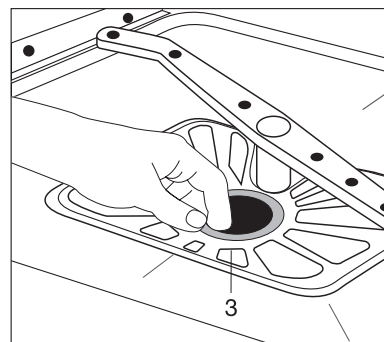
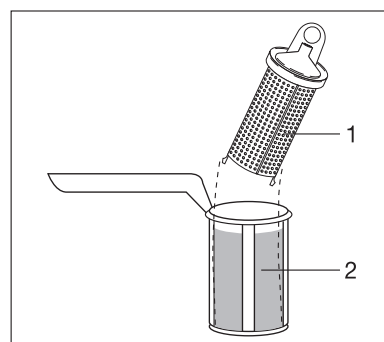
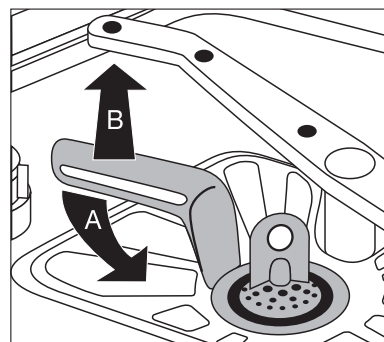
- If necessary, clean the controls only with a soft cloth and pure warm water.
- Occasionally check the internal containers, door seal, and water inlet for soiling, clean if necessary.

## Cleaning the filters

 The filters must be regularly checked and cleaned. Dirty filters will spoil the wash results.

1. Open the door and remove the lower basket.
2. Turn the handle about  $\frac{1}{4}$  of a turn anticlockwise (A) and remove the filter system (B).
3. Grasp the grip hole on the fine filter (1) and remove it from the micro-filter (2)
4. Clean all filters thoroughly under running water.
5. Remove the flat filter (3) from the base of the washing compartment and clean both surfaces thoroughly
6. Re-insert the flat filter.
7. Place the fine filter in the micro-filter and fit the two together.
8. Insert the filter system in place and lock it by turning the handle clockwise as far as it will go. Ensure that the flat filter does not protrude above the base of the washing compartment.

 Under no circumstances may the dishwasher be used without its filters.

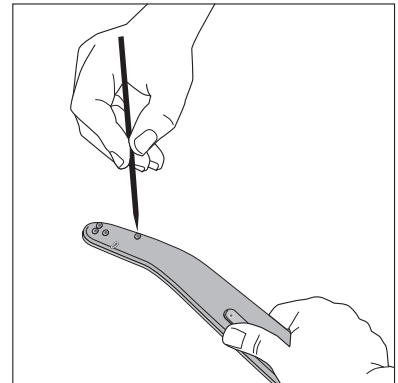


## Cleaning the spray arm jets

Regularly check the jets in the spray arms for blockages. When cleaning is necessary, remove spray arm from the fixture and clean jets with a pointed object (wire or needle). Then rinse out the spray arm using a strong jet of water.

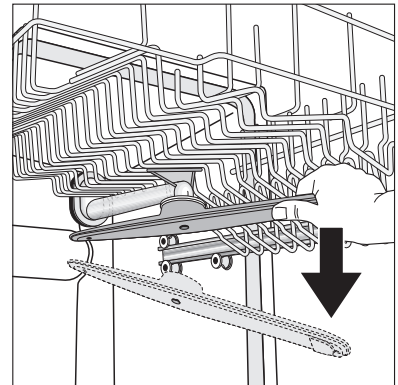


Do not damage the jet opening.

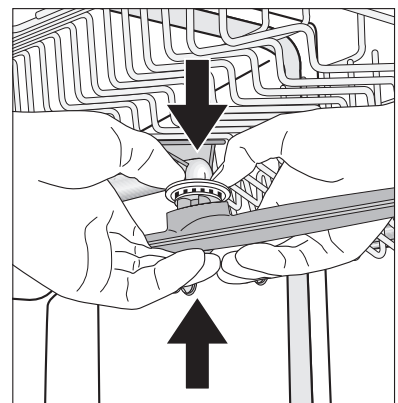


## Upper basket spray arm

1. To remove upper basket spray arm, tilt it down hard.
2. Clean spray arms jets.

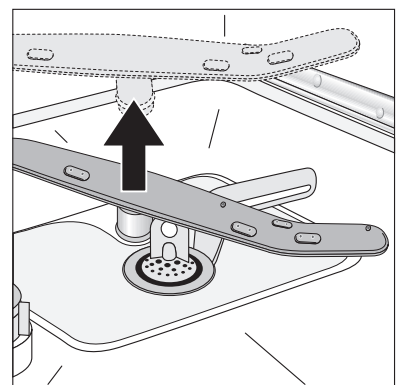


3. Place cleaned upper basket spray arm back in position against the connecting piece: press the two together firmly, until you feel them snap into place.



## Bottom spray arm

1. To remove bottom spray arm, pull it upwards out of its catch.
2. Clean spray arm jets.
3. Place bottom spray arm back in position against connecting piece and press down firmly, until you feel it snap into place.





# What to do, when ...

Try to rectify minor faults on the dishwasher with the aid of the instructions given here. If you call in customer service to resolve one of the malfunctions listed here, or rectify an error made in the operation of the appliance, the customer service engineer's visit is not free of charge, even during the period of guarantee.

## ...Error messages are displayed.

If any of the indicators in the control panel, as listed in the table below, are flashing or are illuminated, you can probably rectify the fault yourself.

Malfunction	Possible cause	Remedy
The cycle indicator for the selected dishwashing cycle is flashing, in the cycle progress display →  is flashing in the following <b>rhythm: one</b> short flash with approx. 5 seconds pause in between, there is no water running into the dishwasher.	The tap is blocked or furred with lime-scale.	Clean tap.
	The tap is turned off.	Turn the tap on.
	The filter (where present) in the threaded hose fitting at the water inlet valve is blocked.	Clean the filter in the threaded hose fitting.
	Filters in the base of the washing compartment are blocked.	Cancel the dishwashing cycle (see chapter: Starting a dishwashing cycle), clean filters (see chapter: Cleaning the filters), then start the dishwashing cycle again.
The cycle indicator for the selected dishwashing cycle is flashing, in the cycle progress display →  is flashing in the following <b>rhythm: two</b> short signals one after the other.	The water inlet hose has not been correctly laid.	Check hose installation.
	The siphon is blocked.	Clean out siphon.
In the cycle progress display →  is flashing in the following <b>rhythm: three</b> short signals one after the other.	The water drain hose has not been correctly laid.	Check hose installation.
	The leak prevention system has been triggered.	Turn off the tap and contact customer service.

After remedying the error that is flashing in the **first or second rhythm** in the cycle progress display, press the button of the commenced dishwashing cycle. The dishwashing cycle will continue. If the fault is displayed again, please contact customer service.



For all other errors displayed, please contact customer service, stating the error code.

## ...there are problems operating the dishwasher.

Symptom	Possible Cause	Solution
The program does not start.	The dishwasher door has not been closed properly.	Shut the door.
	The mains plug is not plugged in.	Insert mains plug.
	House fuse is faulty.	Replace fuse.
	For dishwasher models with delay start timer: Delay start has been selected.	If dishes are to be washed immediately cancel delay start timer.
Spots of rust are visible in the washing compartment.	The washing compartment is made of anti-corrosive stainless steel. Any spots of rust inside the washing compartment stem from other sources (flakes of rust from the water pipe or from pans, cutlery etc.) Remove such spots with a commercially available stainless steel cleaner.	Only wash cutlery and dishes that are suitable for dishwasher use.
		Close the salt dispenser lid securely.
There is a whistling noise during washing.	The whistling is not a cause for concern.	Use a different brand of detergent.

## ...the wash results are unsatisfactory.

### The dishes are still dirty.

- The wrong wash program was selected.
- The dishes were arranged in such a way as to stop the water reaching all parts of the surface. The dish racks must not be overloaded.
- The filters in the base of the washing compartment are dirty or incorrectly positioned.
- Too little or no detergent was used.
- Where there are limescale deposits on the dishes: The salt dispenser is empty or the water softener unit is set wrongly.
- The drain hose is connected wrongly.

### The dishes are wet and dull.

- Rinse aid was not used.
- The rinse aid container is empty.

### There are streaks, milky spots or a bluish coating on glasses and dishes.

- Decrease rinse aid dosing.

### There are dried water drops on the glasses and dishes.

- Increase rinse aid dosing.
- The detergent may be the cause. Contact the detergent manufacturer's consumer advisor.

# Technical Data

Capacity:	12 place settings including serving dishes
Permitted Water Pressure:	1-10 bar (=10-100 N/cm <sup>2</sup> = 0.1-1.0 MPa)
Electrical Connection:	Information on the electrical connection is given on the rating plate on the inner edge of the dishwasher door on the right.
<b>Dishwasher: Free-Standing Appliances</b>	
Dimensions:	850 x 598 x 598 (H x B x D in mm)
Max. Weight:	54 Kg
<b>Dishwashers that Can Be Integrated, Built-In Dishwashers</b>	
Dimensions:	820 – 880 x 596 x 570 (H x W x D in mm)
Max. Weight:	50 Kg
<b>Dishwashers that Can Be Fully Integrated</b>	
Dimensions:	820 – 880 x 596 x 546 (H x W x D in mm)
Max. Weight:	50 Kg

**CE** This appliance conforms with the following EU Directives:

- 73/23/EEG dated 19. 02. 1973 – Low Voltage Directive
- 89/336/EEG dated 03. 05. 1989 (including Directive Amendment 92/31/EEG) – EMC Directive

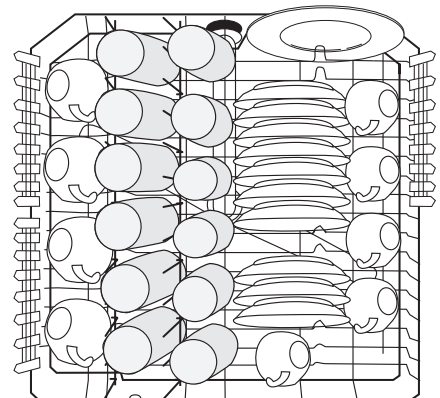
# Notes for Test Institutes

Testing in accordance with **EN 60704** must be carried out with the appliance fully loaded and using the test programme (see Programme Table).

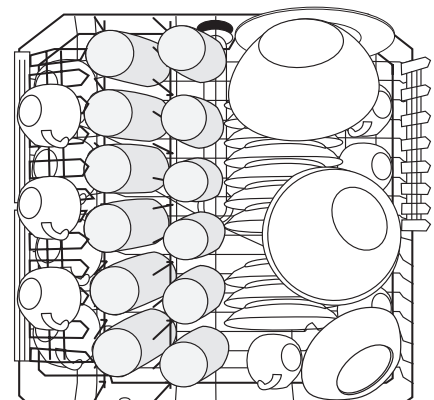
Tests in accordance with **EN 50242** must be carried out when the salt dispenser and rinse aid container have been filled with salt and rinse aid respectively and using the test programme (see Programme Table).

	<b>Full Load:</b> 12 place settings incl. serving dishes	<b>Half Load:</b> 6 place settings incl. serving dishes, leaving alternate positions free
Detergent Dosing:	5g + 25g (Type B)	20g (Type B)
Rinse Aid Setting:	4 (Type III)	4 (Type III)

Sample loading arrangement: Upper basket \*

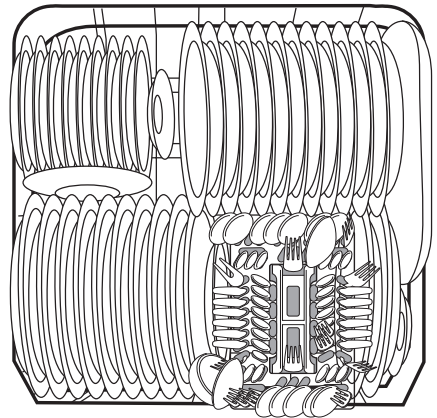


Sample loading arrangement: Upper basket \*



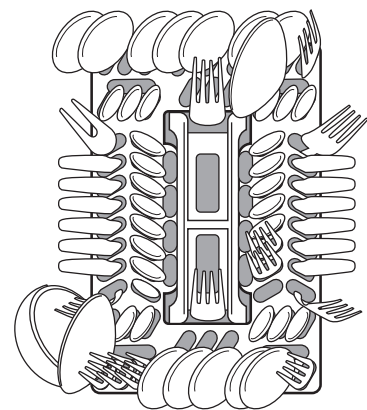
\* If necessary, move the cup rest from right to left. When doing this, ensure that the cup rest is at the same height.

Sample loading arrangement: Lower basket



Sample loading arrangement: Cutlery basket

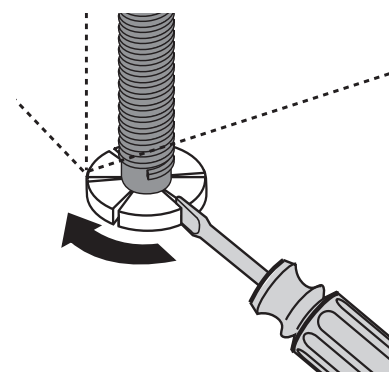
Some dishwasher models have cutlery baskets without a grid insert.



# INSTALLATION AND CONNECTION INSTRUCTIONS

## Installing the Dishwasher

- The dishwasher must be installed on a firm floor and adjusted to ensure that it is stable and level.
- To compensate for unevenness in the floor and to match the height of the appliance to that of surrounding units extend the threaded feet by unscrewing :
  - use a screwdriver.
- For built-in, integrated and fully integrated dishwashers, the rear feet should be adjusted from the front of the appliance using a screwdriver.
- The drain hose, inlet hose and mains cable must not be kinked or crushed when the dishwasher is in position.
- The dishwasher must also be screwed on tightly to the work surface or to the adjoining units. This is essential to ensure the dishwasher does not tip.



Depending on type, the dishwasher is to be installed as follows:

### Dishwashers That Can Be Integrated

(see installation template supplied)



The door of the appliance can be fitted with a wooden furniture door with the following dimensions

Width:	591 – 594 mm	
Thickness:	16 – 24 mm	
Height: (variable)	dependent on	- Recess height - Plinth height - The adjustment so that the unit matches the height of the adjoining units The exact height of the adjoining units must be measured at the place of installation.
Weight:	max. 8 kg	

## Built-In Dishwasher

(see enclosed installation instructions)

## Free-Standing Appliances

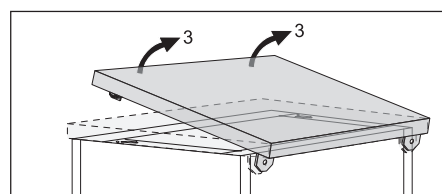
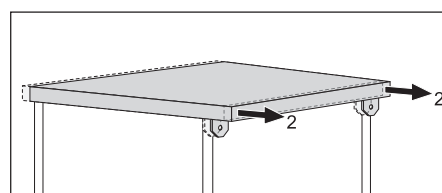
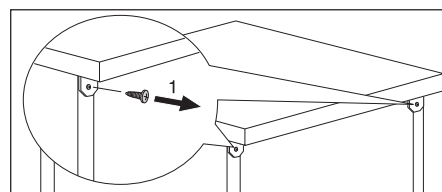


can be set up as stand-alone without additional installation.

If the dishwasher is set up next to a cooker, a heat-insulating, non-flammable plate must be mounted between the dishwasher and the cooker, flush to the top edge of the work surface (depth 57.5 cm). The plate should have aluminium foil on the side facing the cooker.

If the dishwasher is installed underneath a kitchen work surface, the original work surface of the dishwasher is to be removed as follows:

1. Unscrew the screws from the positioning plates on the back (1).
2. Slide the appliance's work surface approx. 1 cm to the rear (2).
3. Lift the work surface at the front (3) and remove.



If the dishwasher is later used as a free-standing appliance, the original work surface must be re-mounted.



The plinth on free-standing appliances is not adjustable.

# Connecting the Dishwasher

## Water Connection

The dishwasher is fitted with safety devices that prevent the wash water returning into the drinking water system and comply with the applicable plumbing regulations.

- The dishwasher can be connected to cold and hot water supplies up to max. 60 °C.
- The dishwasher **must not** be connected to open hot water appliances or instantaneous water heaters.

## Permitted water pressure

Lowest permitted water pressure: 1 bar (=10 N/cm <sup>2</sup> =100 kPa)	Consult your installer if the water pressure is less than 1 bar.
Highest permitted water pressure: 10 bar (=100 N/cm <sup>2</sup> =1 MPa)	In the case of a water pressure greater than 10 bar, a pressure reduction valve must be used (available from your dealer).

## Connect the inlet hose



The water inlet hose must not be kinked, crushed or entangled when it is being connected up.

Connect the threaded hose fitting (ISO 228-1:2000) on the water inlet hose to a tap with an external thread (¾ inch). The inlet hose is equipped either with a plastic or with a metal connection nut:

- Only tighten the nut **hand tight**.  
Then do a visual check for water tightness.  
(Make sure that the tap is not dripping.)



In order that access to the tap in the kitchen is not limited by the use of the dishwasher, we recommend the installation of an additional tap, or fitting a two way adapter to the existing tap.

- If you need a longer water inlet hose than that supplied, VDE approved complete hose sets are to be used. These are available from your local Service Force Centre.





The following section is only applicable to dishwashers that have a safety valve on the threaded hose fitting for the tap:

### **Water inlet hose with safety valve**

After connecting the double-walled water inlet hose, the safety valve is next to the tap. Therefore the water inlet hose is only under pressure while the water is running. If the water inlet hose starts to leak during this operation, the safety valve cuts off the running water and the draining pump in the dishwasher is switched on.



#### **Please take care when installing the water inlet hose:**

- The electrical cable for the safety valve is in the double-walled water inlet hose. Do not immerse the water inlet hose or the safety valve in water.
- If the water inlet hose or the safety valve is damaged, remove the mains plug immediately.
- A water inlet hose with safety valve must only be replaced by a specialist or Customer Services.

## Water drain

### Drain hose



The drain hose must not be kinked, crushed or entangled.

- Connecting the drain hose:
  - Maximum permitted height: 1 metre.
  - Minimum required height 40 cm above the lower edge of the machine.

### Extension hoses

- Extension hoses are available from your dealer or customer service. The internal diameter of the extension hoses must be 19 mm to ensure that the function of the appliance is not impeded.
- Extension hoses may be laid a maximum of 3 metres horizontally; the maximum permitted height for the connection for the drain hose is then 85 cm.

### Siphon connection

- The outlet of the drain hose ( $\varnothing$  19 mm) fits all commonly available siphon types. The outer diameter of the siphon connection must be at least 15 mm.
- The drain hose must be fixed to the siphon connection using the hose clamp supplied.

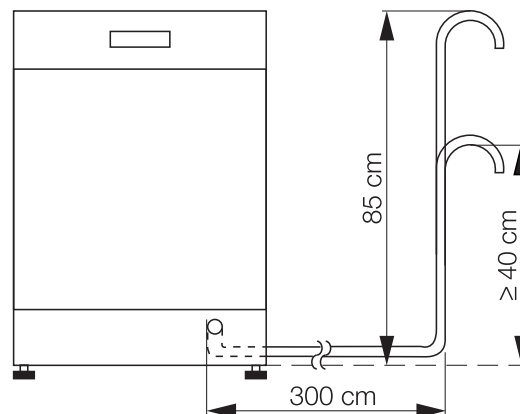
### If the dishwasher is fitted at a high position

If the dishwasher is installed at a high level, and the drain hose connection is less than 30 cm from the bottom of the appliance, adapter kit ET 111099520 must be fitted. This is available from Customer Service.

### Water drain into wash basins (only possible with free-standing appliances)

In the case that you wish to hang the drain hose in a wash basin, use a detachable hose elbow. You can obtain this from customer service under spare part number ET 646 069 190.

1. Fit the elbow to the drain hose.
2. Secure the drain hose against sliding off the edge of the wash basin.  
Pass a piece of cord through the hose elbow and fix it to the wall or the tap.



## Leak Prevention System

For protection from damage due to water leaks, the dishwasher is equipped with a leak prevention system.

In the event of a fault, the safety valve in the water inlet hose immediately interrupts the supply of water to the appliance and the drain pump is activated. The remaining water in the appliance is automatically pumped out.

## Electrical connection



In compliance with electric company technical requirements for mains connections, hard-wired connections to the mains may only be made by approved electricians.

When connecting the appliance, observe the German VDE regulations and, if applicable, any additional conditions required by your local electricity supplier. Following installation, live parts and live insulated wiring must not be accessible using a finger test in accordance with EN 60335/DIN VDE 0700.

Information on the electrical connection can be found on the rating plate on the right side of the inner edge of the dishwasher door. If the appliance has a change-over switch, the additional instructions on the change-over diagram in the mains connector box must be observed.

Prior to connecting ensure that the mains voltage and current rating at the site of installation match the nominal voltage and current rating given on the rating plate. The required fuse protection is also to be found on the rating plate.

To isolate the dishwasher from the mains, remove the mains plug.

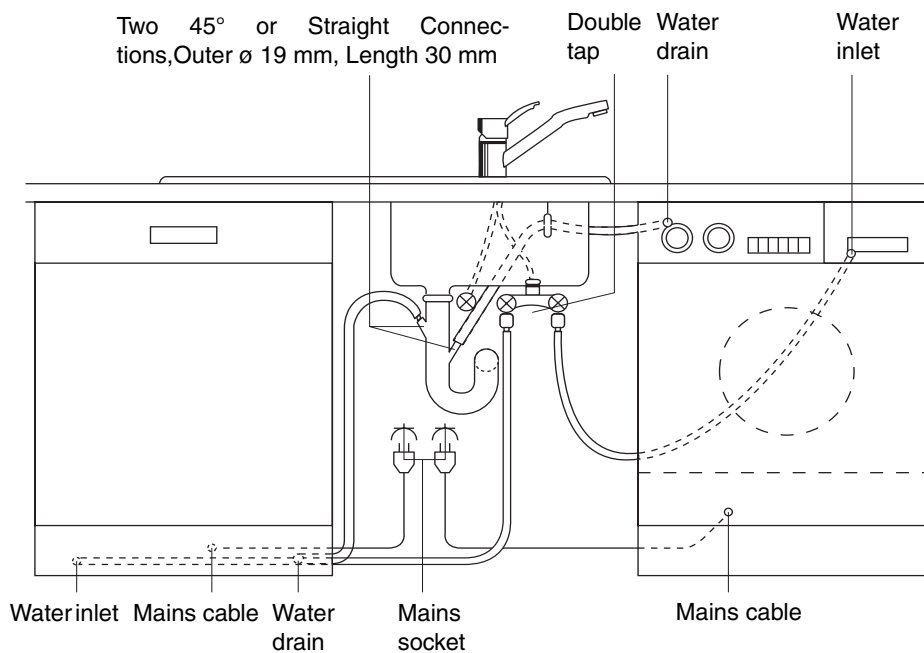
**Important:** The plug must still be accessible after the appliance has been installed.

If the appliance is hard-wired to the mains supply, then it must be safely isolated from the mains within the electrical installation with an **all-pole (N,L1)** isolator (eg. protective cut-out) with a contact gap of > 3 mm.

# Connections

The water inlet and drain hoses, as well as the mains cable must be connected beside the dishwasher because there is no space for them behind the appliance.

The example plumbing and electrical installation given below can only be regarded as a recommendation; the actual situation where the dishwasher is to be installed will define the exact installation (available connections, local electricity and water board regulations for connecting up appliances, etc.).







# SERVICE

In the section "What to do, if..." the most important sources of faults that you can rectify yourself are summarised.

If, nevertheless, you call in customer service to resolve a problem listed in these instruction, or because of an error made in operating the appliance, the customer service engineer's visit is not free of charge, even during the warranty period.

If you can not find any information on a specific malfunction in these operating instructions, please contact customer service.

Please provide customer service the PNC number and the S No. (serial number), you can find these on the rating plate. The plate is on the inner edge of the door on the right.

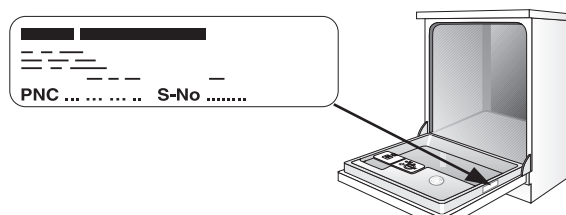
So that you always have these numbers at hand, we recommend you to make a note of them here:

Model: .....

PNC : .....


S-No : .....

Date of purchase: .....



822 961 691 - 00 - 0205

Subject to change without notice

 **The Electrolux Group. The world's No.1 choice.**

*The Electrolux Group is the world's largest producer of powered appliances for kitchen, cleaning and outdoor use. More than 55 million Electrolux Group products (such as refrigerators, cookers, washing machines, vacuum cleaners, chain saws and lawn mowers) are sold each year to a value of approx. USD 14 billion in more than 150 countries around the world.*



## Free Manuals Download Website

<http://myh66.com>

<http://usermanuals.us>

<http://www.somanuals.com>

<http://www.4manuals.cc>

<http://www.manual-lib.com>

<http://www.404manual.com>

<http://www.luxmanual.com>

<http://aubethermostatmanual.com>

Golf course search by state

<http://golfingnear.com>

Email search by domain

<http://emailbydomain.com>

Auto manuals search

<http://auto.somanuals.com>

TV manuals search

<http://tv.somanuals.com>