



Frigidaire

Factory Parts Catalog

Product No.	FEB27S5GCD
	38254733F70S4
Series	27" single
Color	stainless
Market	North America
Wiring Diagram	318046254
Owner's Guide	318205119
Installation Instructions	318201514
Service Data Sheet	318047413
Timer Guide	318200189

 **Electrolux**

Electrolux Major Appliances
North & Latin America
P.O. BOX 212378
AUGUSTA, GA 30917

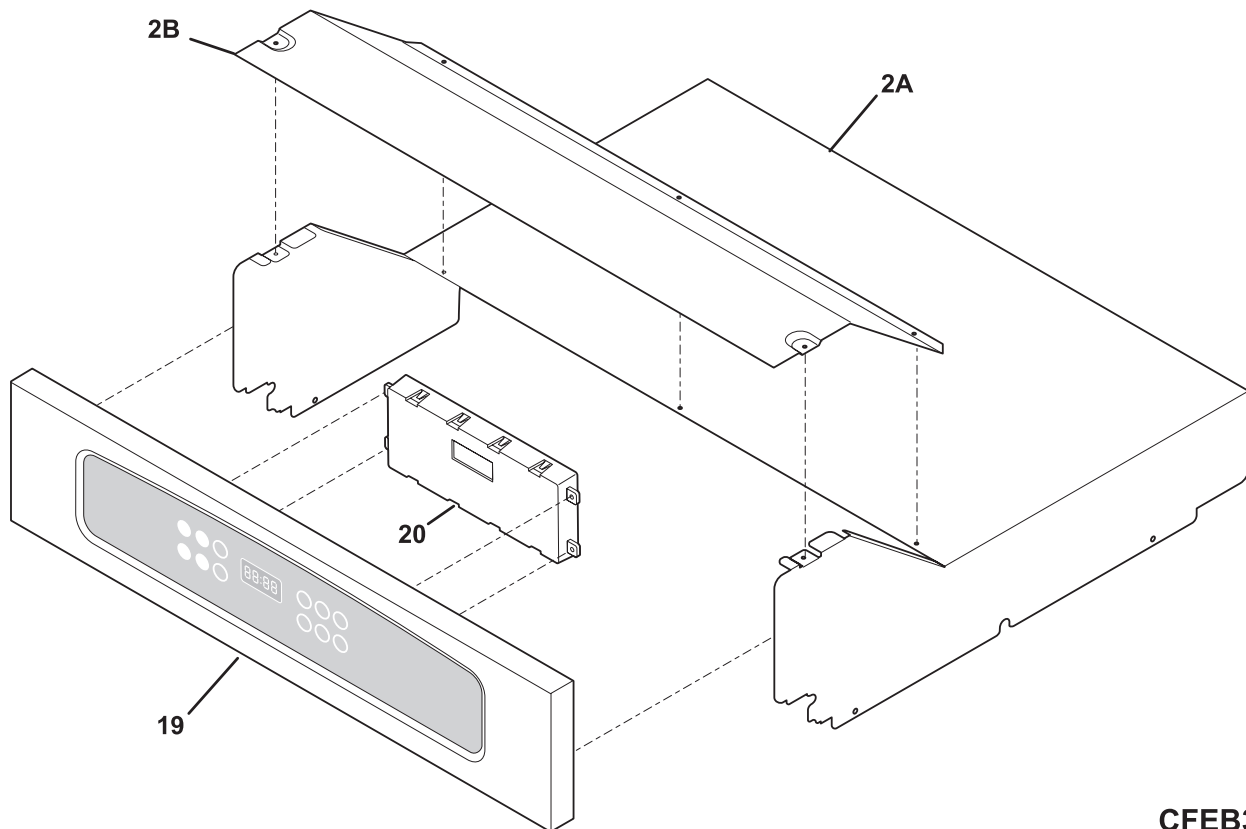
Publication No.
5995544607
09/07/01
(EN/SERVICE/BJH)
377

SINGLE ELECTRIC WALL OVEN

**Model No.
FEB27S5G**

Copyright © 2009 Electrolux Home Products, Inc.
All rights reserved.

CONTROL PANEL



CFEB30S7DCA

CONTROL PANEL

POS. NO	PART NO.	DESCRIPTION
2A	318257301	Shield, oven top
2B	318260101	Cover, box
19	318271550	Control Panel Assembly, steel/glass, stainless/black, w/touch pad
20 #	316418525	Clock/Timer, electronic, ES350W1
20*	5303311306	Screw, 8-18 x 0.375, (6)
*	5303211311	Screw, 8 x 0.500

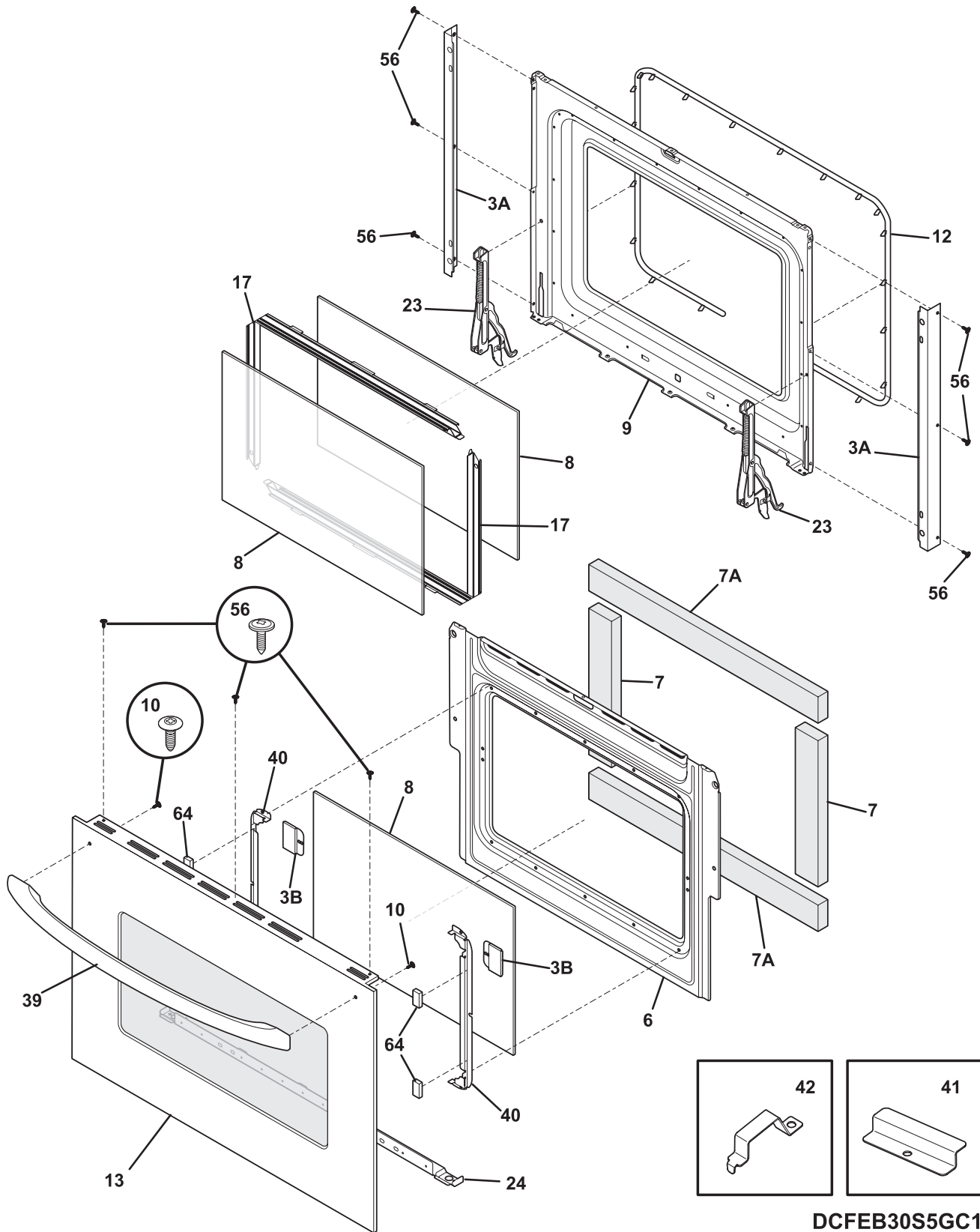
BODY

POS. NO	PART NO.	DESCRIPTION
1	318259213	Back, main
2	318258910	Shield, insulation, upper
6	318345209	Rack, oven, (2)
9	5303317977	Pan, broilerOPTIONAL ACCESSORY
10	5303317976	Insert, broiler panOPTIONAL ACCESSORY
12	316445501	Switch, oven light, door frame
14	318224000	Receptacle, oven light
14*	318268099	Insulation, oven light
15	5303013071	Bulb/Lamp, light
16	08011086	Lens, oven light, glass
17	5304400195	Retainer, light cover
29	316517600	Spacer, oven door
37 #	316217002	Probe, oven temp
54	318222400	Housing, oven light
56	318903704	Trim, side, black, RH
56A	318903705	Trim, side, black, LH
58A	318285060	Insulation, rear & bottom, oven wrapper
58B	318386110	Insulation, oven wrapper
59	318072560	Duct, oven vent
59A	318261600	Bracket, vent tube
62	316056000	Terminal Block
62*	5303323139	Screw, 10-24 x 0.906
62*	5303323144	Nut, 10-32
66 #	318255601	Element, broil, 3400W
67 #	318255103	Element, bake, 2300W
68	5304403015	Support, hanger, (4), broil element
70	318259100	Shield, insulation, sides, (2)
71	318260001	Panel, rear box
76	318056224	Front, oven
80	5303320846	Plate, oven mtg
81	318192400	Spring, oven
82	318258710	Shield, insulation, lower
83	318261502	Liner, oven assy
86	318561100	Receptacle, hinge, (2)
86*	5304461333	Screw, 10-32 x 17/32
87	318260601	Bracket, cable mtg.
89 #	318261205	Motor, latch assy
90	318259711	Trim, oven front, black, bottom
99	318256201	Bracket, side, bottom, (2)
108#	318073028	Motor, blower
*	08016432	Screw, truss head, 8-18 x 0.375
108A	318251300	Bracket, fan support
112#	318112703	Relay
119#	318004900	Switch, thermal
127	318317100	Adapter Assembly, vent tube, w/converter
131	318272901	Box, vent
132	318003000	Plate, shield
142	318123910	Deflector
*	5303324184	Screw, 8-18 x 5/16, black, (4)
143	318172904	Support, wire
163	318531703	Spacer, (4)

BODY

POS. NO	PART NO.	DESCRIPTION
185	318531800	Spacer, oven shield, (2)
219#	318003614	Thermostat, safety
219A	318003613	Thermostat, safety, 1.375" mtg, 105/120
264	318257711	Trim, oven, black, front
* #	318394441	Box & wires assy
* #	318370375	Wiring Harness, power board, to triac, main
* #	318231754	Harness, wiring, main
*	3201861	Screw, 6 x 0.375, (4)
*	5303211311	Screw, 8 x 0.500
*	5303323136	Screw ground
*	5303323277	Screw, 8-18 X 13/32
*	5304436875	Screw, 8-18 X 1/2, black
*	5304470865	Screw Kit, anti-tip, cabinet mount
*	5304470882	Screw, anti-tip, 8 - 5/8, black, (2)

DOOR

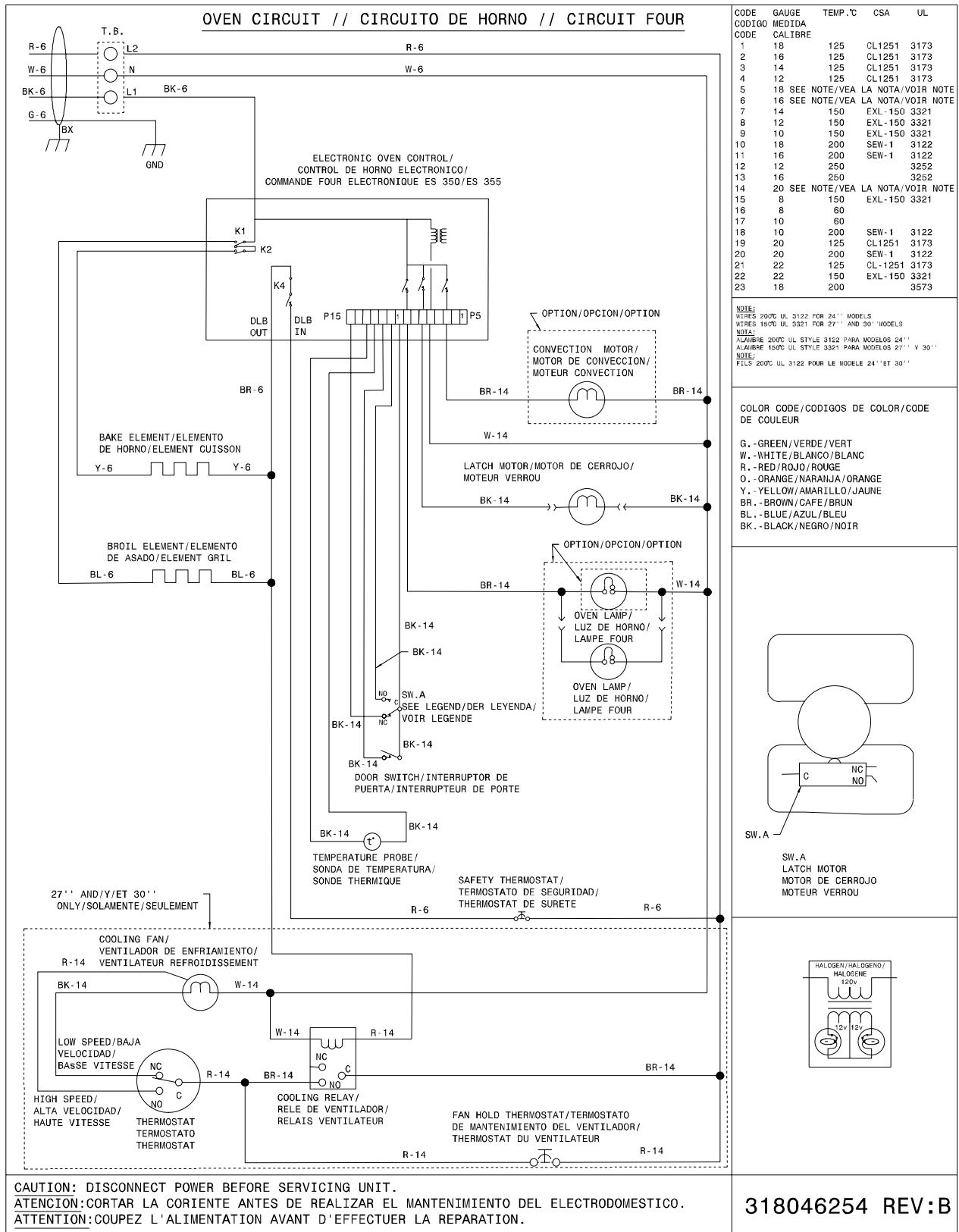


DCFEB30S5GC1

DOOR

POS. NO	PART NO.	DESCRIPTION
3A	318260401	Trim, oven door, side, (2)
3B	318262101	Cover, rear door, black, (2)
6	318260510	Baffle, door
7	318372000	Insulation, door, (2)
7A	318372001	Insulation, door, 20.5 x 2.375, (2)
8	318212200	Glass, oven door, heat barrier
9	318259656	Liner, upper door
10	5303311174	Screw, 10-24 x 3/8
12	318053126	Gasket, oven door seal
13	318272120	Door Assy, w/glass, stainless steel, outer, w/tape & foil
17	318264700	Spacer, glass, (2)
23	318567105	Hinge, oven door, (2)
24	318260311	Trim, door, black, lower
39	318264500	Handle, oven door, black
40	318242702	Bracket, glass holder, door, (2)
41	318370600	Bracket, glass retainer, (2)
42	318382301	Bracket, glass retainer, (4)
56	5304436875	Screw, 8-18 X 1/2, black
64	318165800	Spacer
*	08016432	Screw, truss head, 8-18 x 0.375
*	5303211311	Screw, 8 x 0.500
*	5303323277	Screw, 8-18 X 13/32

WIRING DIAGRAM

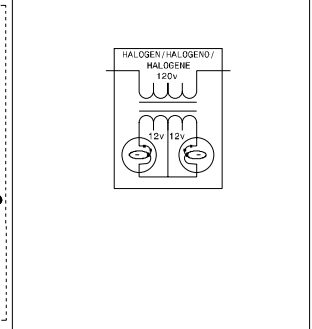
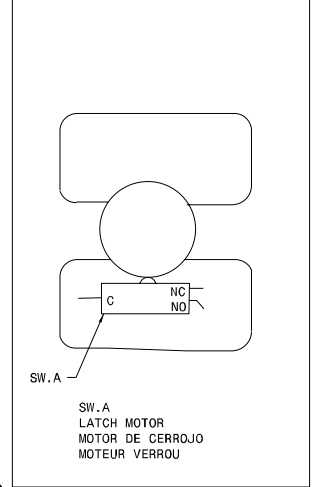


CODE CODIGO	GAUGE MEDIDA	TEMP. °C	CSA	UL
1	18	125	CL1251	3173
2	16	125	CL1251	3173
3	14	125	CL1251	3173
4	12	125	CL1251	3173
5	18	SEE NOTE/VEA LA NOTA/VOIR NOTE		
6	16	SEE NOTE/VEA LA NOTA/VOIR NOTE		
7	14	150	EXL-150	3321
8	12	150	EXL-150	3321
9	10	150	EXL-150	3321
10	18	200	SEW-1	3122
11	16	200	SEW-1	3122
12	12	250		3252
13	16	250		3252
14	20	SEE NOTE/VEA LA NOTA/VOIR NOTE		
15	8	150	EXL-150	3321
16	8	60		
17	10	60		
18	10	200	SEW-1	3122
19	20	125	CL1251	3173
20	20	200	SEW-1	3122
21	22	125	CL-1251	3173
22	22	150	EXL-150	3321
23	18	200		3573

NOTE:
WIRES 200°C UL 3122 FOR 24" MODELS
WIRES 150°C UL 3321 FOR 27" AND 30" MODELS
NOTE:
ALAIBRE 200°C UL STYLE 3122 PARA MODELOS 24"
ALAIBRE 150°C UL STYLE 3321 PARA MODELOS 27" Y 30"
NOTE:
FILS 200°C UL 3122 POUR LE MODELE 24" ET 30"

**COLOR CODE / CODIGOS DE COLOR / CODE
DE COULEUR**

G. - GREEN / VERDE / VERT
W. - WHITE / BLANCO / BLANC
R. - RED / ROJO / ROUGE
O. - ORANGE / NARANJA / ORANGE
Y. - YELLOW / AMARILLO / JAUNE
BR. - BROWN / CAFE / BRUN
BL. - BLUE / AZUL / BLEU
BK. - BLACK / NEGRO / NOIR



318046254 REV: B

Free Manuals Download Website

<http://myh66.com>

<http://usermanuals.us>

<http://www.somanuals.com>

<http://www.4manuals.cc>

<http://www.manual-lib.com>

<http://www.404manual.com>

<http://www.luxmanual.com>

<http://aubethermostatmanual.com>

Golf course search by state

<http://golfingnear.com>

Email search by domain

<http://emailbydomain.com>

Auto manuals search

<http://auto.somanuals.com>

TV manuals search

<http://tv.somanuals.com>