



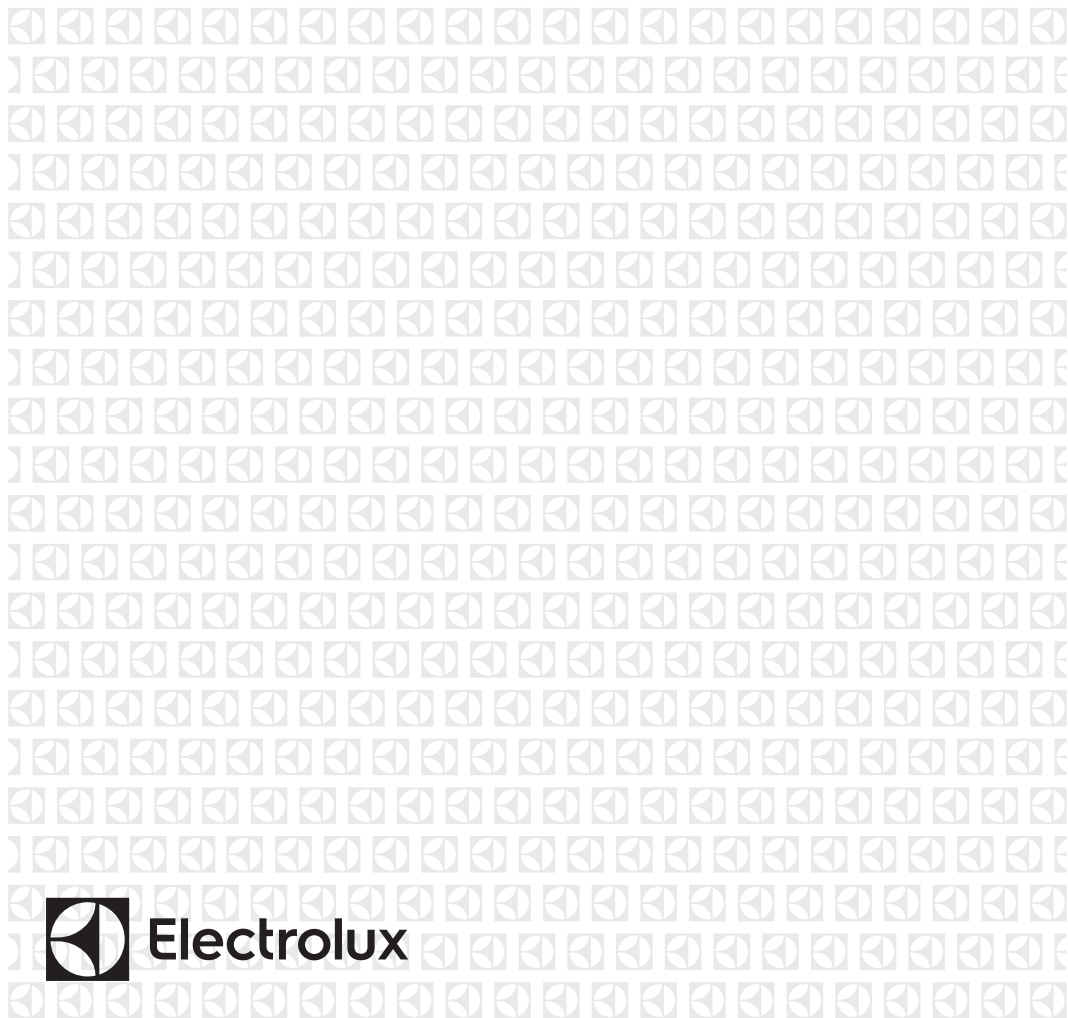
---

EN Fridge Freezer  
DE Kühl - Gefrierschrank

---

User Manual  
Benutzerinformation

2  
24



## CONTENTS

1. SAFETY INFORMATION.....	2
2. SAFETY INSTRUCTIONS.....	4
3. INSTALLATION.....	6
4. CONTROL PANEL.....	8
5. DAILY USE.....	12
6. HINTS AND TIPS.....	14
7. CARE AND CLEANING.....	17
8. TROUBLESHOOTING.....	18
9. NOISES.....	21
10. TECHNICAL DATA.....	22
11. INFORMATION FOR TEST INSTITUTES.....	22
12. GUARANTEE .....	22

## WE'RE THINKING OF YOU

Thank you for purchasing an Electrolux appliance. You've chosen a product that brings with it decades of professional experience and innovation. Ingenious and stylish, it has been designed with you in mind. So whenever you use it, you can be safe in the knowledge that you'll get great results every time.

Welcome to Electrolux.

**Visit our website to:**



Get usage advice, brochures, trouble shooter, service and repair information:  
**[www.electrolux.com/support](http://www.electrolux.com/support)**



Register your product for better service:  
**[www.registerelectrolux.com](http://www.registerelectrolux.com)**



Buy Accessories, Consumables and Original spare parts for your appliance:  
**[www.electrolux.com/shop](http://www.electrolux.com/shop)**

## CUSTOMER CARE AND SERVICE

Always use original spare parts.

When contacting our Authorised Service Centre, ensure that you have the following data available: Model, PNC, Serial Number.

The information can be found on the rating plate.

 Warning / Caution-Safety information

 General information and tips

 Environmental information

Subject to change without notice.

### 1. SAFETY INFORMATION

Before the installation and use of the appliance, carefully read the supplied instructions. The manufacturer is not responsible for any injuries or damage that are the result

of incorrect installation or usage. Always keep the instructions in a safe and accessible location for future reference.

### **1.1 Children and vulnerable people safety**

- This appliance can be used by children aged from 8 years and above and persons with reduced physical, sensory or mental capabilities or lack of experience and knowledge if they have been given supervision or instruction concerning the use of the appliance in a safe way and understand the hazards involved.
- Children aged from 3 to 8 years are allowed to load and unload the appliance provided that they have been properly instructed.
- This appliance may be used by persons with very extensive and complex disabilities provided that they have been properly instructed.
- Children of less than 3 years of age should be kept away from the appliance unless continuously supervised.
- Do not let children play with the appliance.
- Children shall not carry out cleaning and user maintenance of the appliance without supervision.
- Keep all packaging away from children and dispose of it appropriately.

### **1.2 General Safety**

- This appliance is intended to be used in household and similar applications such as:
  - Farm houses; staff kitchen areas in shops, offices and other working environments;
  - By clients in hotels, motels, bed and breakfast and other residential type environments.
- To avoid contamination of food respect the following instructions:
  - do not open the door for long periods;
  - clean regularly surfaces that can come in contact with food and accessible drainage systems;

- store raw meat and fish in suitable containers in the refrigerator, so that it is not in contact with or drip onto other food.
- **WARNING:** Keep ventilation openings, in the appliance enclosure or in the built-in structure, clear of obstruction.
- **WARNING:** Do not use mechanical devices or other means to accelerate the defrosting process, other than those recommended by the manufacturer.
- **WARNING:** Do not damage the refrigerant circuit.
- **WARNING:** Do not use electrical appliances inside the food storage compartments of the appliance, unless they are of the type recommended by the manufacturer.
- Do not use water spray and steam to clean the appliance.
- Clean the appliance with a moist soft cloth. Only use neutral detergents. Do not use abrasive products, abrasive cleaning pads, solvents or metal objects.
- When the appliance is empty for long period, switch it off, defrost, clean, dry and leave the door open to prevent mould from developing within the appliance.
- Do not store explosive substances such as aerosol cans with a flammable propellant in this appliance.
- If the supply cord is damaged, it must be replaced by the manufacturer, its Authorised Service Centre or similarly qualified persons in order to avoid a hazard.

## 2. SAFETY INSTRUCTIONS

### 2.1 Installation



**WARNING!**

Only a qualified person must install this appliance.

- Remove all the packaging.
- Do not install or use a damaged appliance.
- Do not use the appliance before installing it in the built-in structure due to safety manner.
- Follow the installation instructions supplied with the appliance.
- Always take care when moving the appliance as it is heavy. Always use safety gloves and enclosed footwear.
- Make sure the air can circulate around the appliance.
- At first installation or after reversing the door wait at least 4 hours before connecting the appliance to the power supply. This is to allow the oil to flow back in the compressor.

- Before carrying out any operations on the appliance (e.g. reversing the door), remove the plug from the power socket.
- Do not install the appliance close to radiators or cookers, ovens or hobs.
- Do not expose the appliance to the rain.
- Do not install the appliance where there is direct sunlight.
- Do not install this appliance in areas that are too humid or too cold.
- When you move the appliance, lift it by the front edge to avoid scratching the floor.

## 2.2 Electrical connection



**WARNING!**  
Risk of fire and electric shock.



**WARNING!**  
When positioning the appliance, ensure the supply cord is not trapped or damaged.



**WARNING!**  
Do not use multi-plug adapters and extension cables.

- The appliance must be earthed.
- Make sure that the parameters on the rating plate are compatible with the electrical ratings of the mains power supply.
- Always use a correctly installed shockproof socket.
- Make sure not to cause damage to the electrical components (e.g. mains plug, mains cable, compressor). Contact the Authorised Service Centre or an electrician to change the electrical components.
- The mains cable must stay below the level of the mains plug.
- Connect the mains plug to the mains socket only at the end of the installation. Make sure that there is access to the mains plug after the installation.
- Do not pull the mains cable to disconnect the appliance. Always pull the mains plug.

## 2.3 Use



**WARNING!**  
Risk of injury, burns, electric shock or fire.



The appliance contains flammable gas, isobutane (R600a), a natural gas with a high level of environmental compatibility. Be careful not to cause damage to the refrigerant circuit containing isobutane.

- Do not change the specification of this appliance.
- Do not put electrical appliances (e.g. ice cream makers) in the appliance unless they are stated applicable by the manufacturer.
- If damage occurs to the refrigerant circuit, make sure that there are no flames and sources of ignition in the room. Ventilate the room.
- Do not let hot items to touch the plastic parts of the appliance.
- Do not put soft drinks in the freezer compartment. This will create pressure on the drink container.
- Do not store flammable gas and liquid in the appliance.
- Do not put flammable products or items that are wet with flammable products in, near or on the appliance.
- Do not touch the compressor or the condenser. They are hot.
- Do not remove or touch items from the freezer compartment if your hands are wet or damp.
- Do not freeze again food that has been thawed.
- Follow the storage instructions on the packaging of frozen food.
- Wrap the food in any food contact material before putting it in the freezer compartment.

## 2.4 Internal lighting



**WARNING!**  
Risk of electric shock.

- Concerning the lamp(s) inside this product and spare part lamps sold separately: These lamps are intended to withstand extreme physical

conditions in household appliances, such as temperature, vibration, humidity, or are intended to signal information about the operational status of the appliance. They are not intended to be used in other applications and are not suitable for household room illumination.

## 2.5 Care and cleaning



### **WARNING!**

Risk of injury or damage to the appliance.

- Before maintenance, deactivate the appliance and disconnect the mains plug from the mains socket.
- This appliance contains hydrocarbons in the cooling unit. Only a qualified person must do the maintenance and the recharging of the unit.
- Regularly examine the drain of the appliance and if necessary, clean it. If the drain is blocked, defrosted water collects in the bottom of the appliance.

## 2.6 Service

- To repair the appliance contact the Authorised Service Centre. Use original spare parts only.

- Please note that self-repair or non-professional repair can have safety consequences and might void the guarantee.

## 2.7 Disposal



### **WARNING!**

Risk of injury or suffocation.

- Disconnect the appliance from the mains supply.
- Cut off the mains cable and discard it.
- Remove the door to prevent children and pets to be closed inside of the appliance.
- The refrigerant circuit and the insulation materials of this appliance are ozone-friendly.
- The insulation foam contains flammable gas. Contact your municipal authority for information on how to discard the appliance correctly.
- Do not cause damage to the part of the cooling unit that is near the heat exchanger.

# 3. INSTALLATION



### **WARNING!**

Refer to Safety chapters.



### **WARNING!**

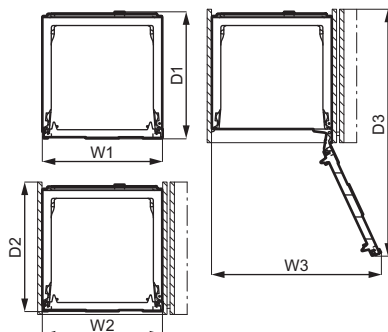
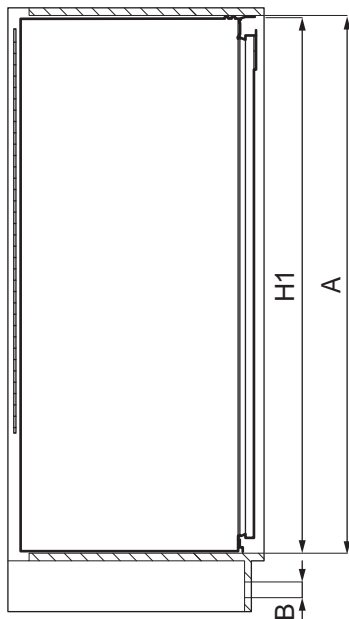
Refer to installation instruction document to install your appliance.



### **WARNING!**

Fix the appliance in accordance with installation instruction document to avoid a risk of instability of the appliance.

### 3.1 Dimensions



Overall dimensions <sup>1</sup>		
H1	mm	1521
W1	mm	548
D1	mm	576

<sup>1</sup> the height, width and depth of the appliance without the handle and feet

Space required in use <sup>2</sup>		
H2 (A+B)	mm	1561
W2	mm	549
D2	mm	585
A	mm	1524
B	mm	37

<sup>2</sup> the height, width and depth of the appliance including the handle, plus the space necessary for free circulation of the cooling air

Overall space required in use <sup>3</sup>		
H3 (A+B)	mm	1561
W3	mm	767
D3	mm	1115




<sup>3</sup> the height, width and depth of the appliance including the handle, plus the space necessary for free circulation of the cooling air, plus the space necessary to allow door opening to the minimum angle permitting removal of all internal equipment

### 3.2 Location

To ensure appliance's best functionality, you should not install the appliance in the nearby of the heat source (oven, stoves, radiators, cookers or hobs) or in a place with direct sunlight. Make sure that air can circulate freely around the back of the cabinet.

This appliance should be installed in a dry, well ventilated indoor position.

This appliance is intended to be used at ambient temperature ranging from 10°C to 43°C.

-  The correct operation of the appliance can only be guaranteed within the specified temperature range.
-  If you have any doubts regarding where to install the appliance, please turn to the vendor, to our customer service or to the nearest Authorised Service Centre.
-  It must be possible to disconnect the appliance from the mains power supply. The plug must therefore be easily accessible after installation.

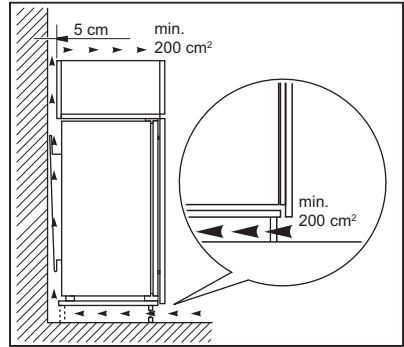
### 3.3 Electrical connection

- Before plugging in, ensure that the voltage and frequency shown on the rating plate correspond to your domestic power supply.
- The appliance must be earthed. The power supply cable plug is provided with a contact for this purpose. If the domestic power supply socket is not earthed, connect the appliance to a separate earth in compliance with current regulations, consulting a qualified electrician.
- The manufacturer declines all responsibility if the above safety precautions are not observed.

- This appliance complies with the E.E.C. Directives.

### 3.4 Ventilation requirements

The airflow behind the appliance must be sufficient.



#### CAUTION!

Refer to the installation instructions for the installation.

### 3.5 Door reversibility

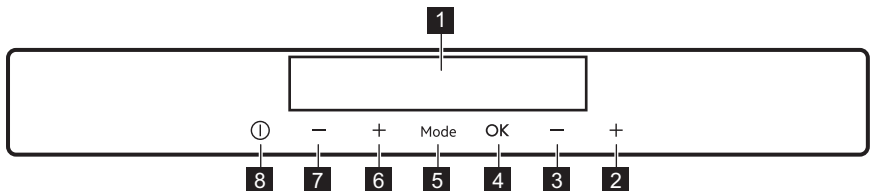
Please refer to the separate document with instructions on installation and door reversal.



#### CAUTION!

At every stage of reversing the door protect the floor from scratching with a durable material.

## 4. CONTROL PANEL



- |                                            |                                           |
|--------------------------------------------|-------------------------------------------|
| <b>1</b> Display                           | <b>4</b> OK                               |
| <b>2</b> Freezer Temperature warmer button | <b>5</b> Mode                             |
| <b>3</b> Freezer Temperature colder button | <b>6</b> Fridge Temperature warmer button |



**7** Fridge Temperature colder button

**8** ON/OFF

It is possible to change predefined sound of buttons by pressing together Mode

## 4.1 Display



and temperature colder button for a few seconds. Change is reversible.

- A. Fridge compartment indicator
- B. Timer indicator /Temperature indicator
- C. ON/OFF indicator
- D. FastCool function
- E. Holiday mode
- F. FastFreeze function
- G. Temperature indicator
- H. Freezer compartment indicator
- I. Alarm indicator
- J. ChildLock function
- K. DrinksChill function
- L. DYNAMICAIR function

## 4.2 Switching on

1. Connect the mains plug to the power socket.
2. Press the appliance ON/OFF if the display is off. The temperature indicators show the set default temperature.

To select a different set temperature refer to "Temperature regulation".

If "dEMo" appears on the display, refer to "Troubleshooting".

## 4.3 Switching off

1. Press the appliance ON/OFF for 3 seconds.

The display switches off.

2. Disconnect the mains plug from the power socket.

## 4.4 Temperature regulation

Set the temperature of the appliance by pressing the temperature regulators. Default recommended set temperature is:

- +4°C for the fridge
- -18°C for the freezer

The temperature range may vary between -15°C and -24°C for freezer and between 2°C and 8°C for fridge.

The temperature indicators show the set temperature.

**i** The set temperature will be reached within 24 hours. After a power failure the set temperature remains stored.

## 4.5 Switching on the fridge

To switch on the fridge it is enough to press the fridge temperature regulator. To switch on the fridge in the other way:

1. Press Mode until the corresponding icon appears.

The Fridge OFF indicator flashes.

2. Press OK to confirm.

The fridge OFF indicator goes off and the fridge compartment is switched on.

**i** To select a different set temperature refer to "Temperature regulation".

## 4.6 Switching off the fridge

It is possible to switch off only the fridge compartment maintaining the freezer on.

1. Press Mode until the fridge compartment indicator appears.

The fridge OFF indicator and the fridge compartment indicator flash.

The fridge temperature indicator shows dashes.

2. Press OK to confirm.

The fridge OFF indicator is shown and the fridge compartment is switched off.

## 4.7 FastCool function

If you need to insert in the fridge compartment a large amount of warm food, for example after doing the grocery shopping, we suggest activating the FastCool function to chill the products more rapidly and to avoid warming the other food which is already in the refrigerator.


1. Press the Mode until the corresponding icon appears. The FastCool indicator flashes.
2. Press the OK to confirm. The FastCool indicator is shown. The fan activates automatically for the function duration. This function stops automatically after approximately 6 hours.

You can deactivate the FastCool function before its automatic end by repeating the procedure or by selecting a different fridge set temperature.

## 4.8 Holiday mode


This mode allows you to keep the fridge compartment empty during a long holiday period reducing the formation of bad odours while the freezer compartment can work normally.

1. Press the Mode until the corresponding icon appears. The Holiday indicator flashes. The temperature indicator shows the set temperature.
2. Press the OK to confirm. The Holiday indicator is shown.

 This mode switches off after selecting a different temperature.

## 4.9 FastFreeze function

The FastFreeze is used to perform pre-freezing and fast freezing in sequence of Freezer compartment. This function accelerates the freezing of fresh food and, at the same time, protects foodstuffs already stored from undesirable warming.

 To freeze fresh food activate the FastFreeze function at least 24 hours before placing the food to complete pre-freezing.

1. To activate this function press the Mode button until the corresponding icon appears.

The FastFreeze indicator flashes.

2. Press the OK button to confirm. The FastFreeze indicator is shown. This function stops automatically after 52 hours.

You can deactivate the FastFreeze function before its automatic end by repeating the procedure until the FastFreeze indicator turns off or by selecting a different set temperature.

## 4.10 DYNAMICAIR function


The refrigerator compartment is equipped with a device that allows rapid cooling of food and keeps more uniform temperature in the compartment.

This device activates automatically when needed or manually.

To switch on the function:

1. Press the Mode button until the corresponding icon appears. The DYNAMICAIR indicator flashes.
2. Press the OK button to confirm. The DYNAMICAIR indicator is shown.

To switch off the function repeat the procedure until the DYNAMICAIR indicator goes off.

 If the function is activated automatically the DYNAMICAIR indicator is not shown (refer to "Daily use"). The activation of the DYNAMICAIR function increase the energy consumption.

The fan stops when the door is open and restarts immediately after the door closing.

## 4.11 ChildLock function

Activate the ChildLock function to lock the buttons from unintentional operation.

1. Press Mode until the corresponding icon appears.

The ChildLock indicator flashes.

2. Press OK to confirm.

The ChildLock indicator is shown.

To deactivate the ChildLock function, repeat the procedure until the ChildLock indicator goes off.

## 4.12 DrinksChill function

The DrinksChill function is to be used to set an acoustic alarm at the preferred time, useful for example when a recipe requires to cool down food products for a certain period of time.

It is also useful when a reminder is needed in order not to forget the bottles or cans placed in the freezer for fast cooling.

1. Press Mode until the corresponding icon appears.

The DrinksChill indicator flashes.

The Timer shows the set value (30 minutes) for a few seconds.

2. Press the Timer regulator to change the Timer set value from 1 to 90 minutes.

3. Press OK to confirm.

The DrinksChill indicator is shown.

The Timer starts to flash (min).

At the end of the countdown the "0 min" indicator flashes and an audible alarm sounds. Press OK to switch off the sound and terminate the function.

To switch off the function repeat the procedure until the DrinksChill goes off.



It is possible to change the time at any time during the countdown and at the end by pressing the Temperature colder button and the Temperature warmer button.

## 4.13 High temperature alarm

When there is a temperature increase in the freezer compartment (for example due to an earlier power failure), the alarm and freezer temperature indicators flash and the sound is on.

To deactivate the alarm:

1. Press any button.

The sound switches off.

2. The freezer temperature indicator shows the highest temperature reached for a few seconds, then the display shows the set temperature again.



The alarm indicator continues to flash until the normal conditions are restored.

If you do not press any button, the sound switches off automatically after around one hour to avoid disturbing.

## 4.14 Door open alarm

If the fridge door is left open for approximately 5 minutes, the sound is on and alarm indicator flashes.

The alarm stops after closing the door. During the alarm, the sound can be muted by pressing any button.



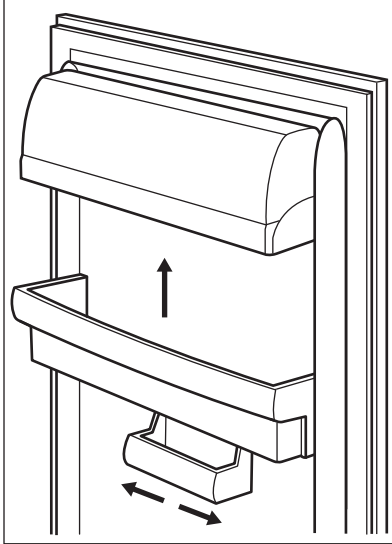
If you do not press any button, the sound switches off automatically after around one hour to avoid disturbing.

## 5. DAILY USE

### 5.1 Positioning the door shelves

To permit storage of food packages of various sizes, the door shelves can be placed at different heights.

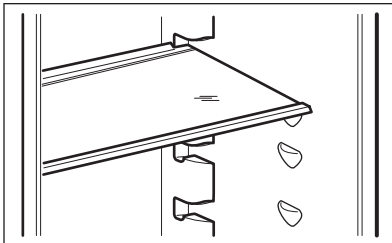
1. Gradually pull the shelf up until it comes free.
2. Reposition as required.



This model is equipped with a variable storage box which can be moved sideways.

### 5.2 Movable shelves

The walls of the refrigerator are equipped with a series of runners so that the shelves can be positioned as desired.



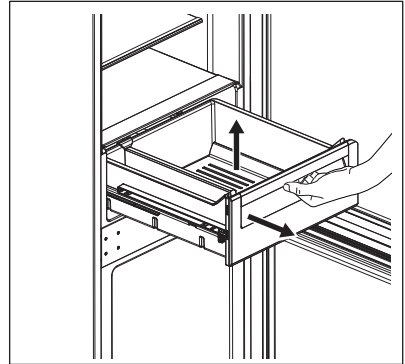
Do not move the glass shelf above the vegetable drawer to ensure correct air circulation.

### 5.3 Vegetable drawer

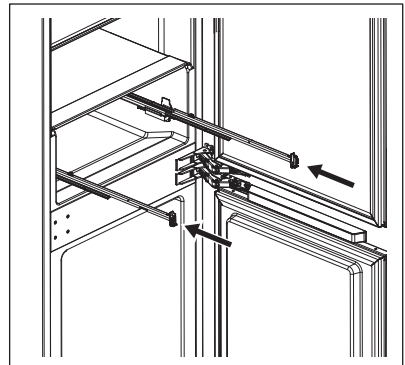
The drawer is suitable for storing fruit and vegetables.

To remove the drawer (e.g. for cleaning):

1. Pull out the drawer and lift it up.

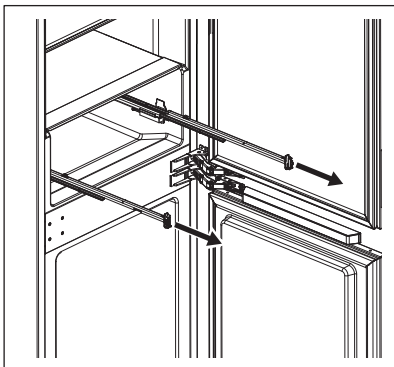


2. Push the rails inside the cabinet to avoid damage to the appliance when closing the door.

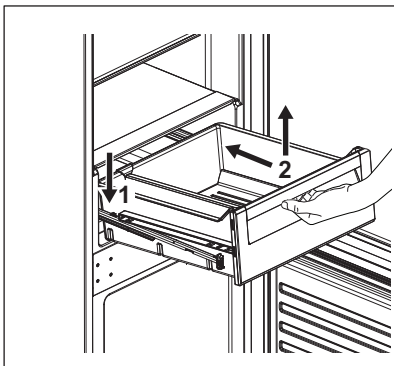


To reassemble:

1. Pull out the rails.



2. Place the rear part of the drawer (1) on the rails.

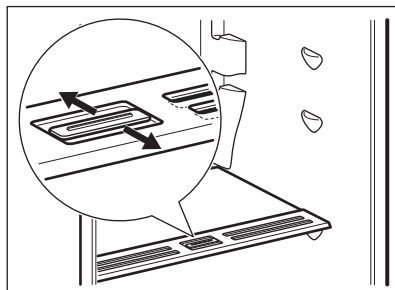


3. Keep the front of the drawer (2) lifted up while pushing the drawer in.
4. Press the front part of the drawer downwards.

- i** Pull out the drawer again and check if it is placed correctly on both rear and front hooks.

## 5.4 Humidity control

The glass shelf incorporates a device with slits (adjustable by means of a sliding lever), which makes it possible to regulate the humidity in the vegetable drawer(s).



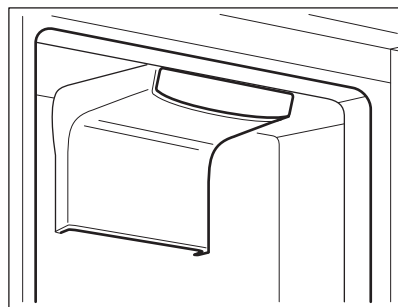
The position of the humidity control depends on the type and on the amount of fruits and vegetables:

- Slots closed: recommended when there is a small amount of fruits and vegetables. In this way, the natural moisture content in fruits and vegetables is preserved longer.
- Slots opened: recommended when there is a big amount of fruits and vegetables. In this way, more air circulation results in a lower air moisture.

## 5.5 DYNAMICAIR

The refrigerator compartment is equipped with a device that allows rapid cooling of foods and keeps more uniform temperature in the compartment.

This device activates automatically when needed.



It is also possible to switch on the device manually when needed (refer to "DYNAMICAIR function").

- i** The fan operates only when the door is closed.

## 5.6 Freezing fresh food

The freezer compartment is suitable for freezing fresh food and storing frozen and deep-frozen food for a long time.

To freeze fresh food activate the FastFreeze function at least 24 hours before placing the food to be frozen in the freezer compartment.

Store the fresh food evenly distributed in the third compartment or drawer from the top.

The maximum amount of food that can be frozen without adding other fresh food during 24 hours is specified on the rating plate (a label located inside the appliance).

When the freezing process is complete, the appliance automatically returns to the previous temperature setting (see "FastFreeze Function").

## 5.7 Storage of frozen food

When activating an appliance for the first time or after a period out of use, before putting the products in the compartment let the appliance run at least 3 hours with the FastFreeze function switched on.

Keep the food no closer than 15 mm from the door.



### CAUTION!

In the event of accidental defrosting, for example due to a power failure, if the power has been off for longer than the value shown on rating plate under "rising time", the defrosted food must be consumed quickly or cooked immediately then cooled and then re-frozen. Refer to "High temperature alarm".

## 5.8 Thawing

Deep-frozen or frozen food, prior to being consumed, can be thawed in the refrigerator or inside a plastic bag under cold water.

This operation depends on the time available and on the type of food. Small pieces may even be cooked still frozen.

## 5.9 Ice-cube production

This appliance is equipped with one or more trays for the production of ice-cubes.



Do not use metallic instruments to remove the trays from the freezer.

1. Fill these trays with water.
2. Put the ice trays in the freezer compartment.

# 6. HINTS AND TIPS


## 6.1 Hints for energy saving

- Freezer: The internal configuration of the appliance is the one that ensures the most efficient use of energy.
- Fridge: Most efficient use of energy is ensured in the configuration with the drawers in the bottom part of the appliance and shelves evenly distributed. Position of the door bins does not affect energy consumption.

- Do not open the door frequently or leave it open longer than necessary.
- Freezer: The colder the temperature setting, the higher the energy consumption.
- Fridge: Do not set too high temperature to save energy unless it is required by the characteristics of the food.
- If the ambient temperature is high and the temperature control is set to low temperature and the appliance is fully loaded, the compressor may run continuously, causing frost or ice formation on the evaporator. In this case, set the temperature control toward higher temperature to allow automatic defrosting and to save energy this way.
- Ensure a good ventilation. Do not cover the ventilation grilles or holes.
- Make sure that food products inside the appliance allow air circulation through dedicated holes in the rear interior of the appliance.
- To avoid increase in temperature of already frozen food, do not place fresh unfrozen food directly next to it. Place food at room temperature in the part of the freezer compartment where there is no frozen food.
- Do not eat ice cubes, water ices or ice lollies immediately after taking them out of the freezer. Risk of frostbites.
- Do not re-freeze defrosted food. If the food has defrosted, cook it, cool it down and then freeze it.

### 6.3 Hints for storage of frozen food

### 6.2 Hints for freezing

- Freezer compartment is the one marked with .
- Good temperature setting that ensures preservation of frozen food products is a temperature less than or equal to -18°C. Higher temperature setting inside the appliance may lead to shorter shelf life.
- The whole freezer compartment is suitable for storage of frozen food products.
- Leave enough space around the food to allow air to circulate freely.
- For adequate storage refer to food packaging label to see the shelf life of food.
- It is important to wrap the food in such a way that prevents water, humidity or condensation from getting inside.
- Activate FastFreeze function at least 24 hours before placing the food inside the freezer compartment.
- Before freezing wrap and seal fresh food in: aluminium foil, plastic film or bags, airtight containers with lid.
- For more efficient freezing and thawing divide food into small portions.
- It is recommended to put labels and dates on all your frozen food. This will help to identify foods and to know when they should be used before their deterioration.
- The food should be fresh when being frozen to preserve good quality. Especially fruits and vegetables should be frozen after the harvest to preserve all of their nutrients.
- Do not freeze bottles or cans with liquids, in particular drinks containing carbon dioxide - they may explode during freezing.
- Do not put hot food in the freezer compartment. Cool it down at room temperature before placing it inside the compartment.

### 6.4 Shopping tips

After grocery shopping:

- Ensure that the packaging is not damaged - the food could be deteriorated. If the package is swollen or wet, it might have not been stored in the optimal conditions and defrosting may have already started.
- To limit the defrosting process buy frozen goods at the end of your grocery shopping and transport them in a thermal and insulated cool bag.
- Place the frozen foods immediately in the freezer after coming back from the shop.

- If food has defrosted even partially, do not re-freeze it. Consume it as soon as possible.
- Respect the expiry date and the storage information on the package.

## 6.5 Shelf life for freezer compartment


Type of food	Shelf life (months)
Bread	3
Fruits (except citrus)	6 - 12
Vegetables	8 - 10
Leftovers without meat	1 - 2
<b>Dairy food:</b>	
Butter	6 - 9
Soft cheese (e.g. mozzarella)	3 - 4
Hard cheese (e.g. parmesan, cheddar)	6
<b>Seafood:</b>	
Fatty fish (e.g. salmon, mackerel)	2 - 3
Lean fish (e.g. cod, flounder)	4 - 6
Shrimps	12
Shucked clams and mussels	3 - 4
Cooked fish	1 - 2
<b>Meat:</b>	
Poultry	9 - 12
Beef	6 - 12
Pork	4 - 6
Lamb	6 - 9
Sausage	1 - 2
Ham	1 - 2
Leftovers with meat	2 - 3

## 6.6 Hints for fresh food refrigeration

- Good temperature setting that ensures preservation of fresh food is a temperature less than or equal to +4°C.  
Higher temperature setting inside the appliance may lead to shorter shelf life of food.
- Cover the food with packaging to preserve its freshness and aroma.
- Always use closed containers for liquids and for food, to avoid flavours or odours in the compartment.
- To avoid the cross-contamination between cooked and raw food, cover the cooked food and separate it from the raw one.

- It is recommended to defrost the food inside the fridge.
- Do not insert hot food inside the appliance. Make sure it has cooled down at room temperature before inserting it.
- To prevent food waste the new stock of food should always be placed behind the old one.

## 6.7 Hints for food refrigeration

- Fresh food compartment is the one marked (on the rating plate) with .
- Meat (all types): wrap in a suitable packaging and place it on the glass shelf above the vegetable drawer. Store meat for at most 1-2 days.



- Fruit and vegetables: clean thoroughly (eliminate the soil) and place in a special drawer (vegetable drawer).
- It is advisable not to keep the exotic fruits like bananas, mangos, papayas etc. in the refrigerator.
- Vegetables like tomatoes, potatoes, onions, and garlic should not be kept in the refrigerator.
- Butter and cheese: place in an airtight container or wrap in an aluminium foil or a polythene bag to exclude as much air as possible.
- Bottles: close them with a cap and place them on the door bottle shelf, or (if available) on the bottle rack.
- In order to accelerate cooling down of the goods, it is advisable to turn on the fan. The activation of DYNAMICAIR allows greater homogenization of internal temperatures.
- Always refer to the expiry date of the products to know how long to keep them.

## 7. CARE AND CLEANING



**WARNING!**  
Refer to Safety chapters.

### 7.1 Cleaning the interior

Before using the appliance for the first time, the interior and all internal accessories should be washed with lukewarm water and some neutral soap to remove the typical smell of a brand-new product, then dried thoroughly.



**CAUTION!**  
Do not use detergents, abrasive powders, chlorine or oil-based cleaners as they will damage the finish.



**CAUTION!**  
The accessories and parts of the appliance are not suitable for washing in a dishwasher.

### 7.2 Periodic cleaning

The equipment has to be cleaned regularly:

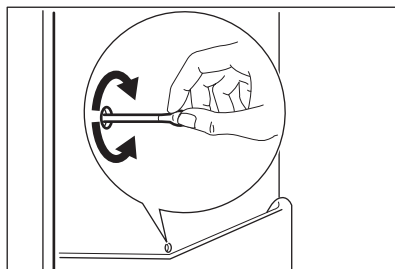
1. Clean the inside and accessories with lukewarm water and some neutral soap.
2. Regularly check the door seals and wipe them clean to ensure they are clean and free from debris.
3. Rinse and dry thoroughly.

### 7.3 Defrosting of the refrigerator

Frost is automatically eliminated from the evaporator of the refrigerator compartment during normal use. The defrost water drains out through a trough into a special container at the back of the appliance, over the motor compressor, where it evaporates.

It is important to periodically clean the defrost water drain hole in the middle of the refrigerator compartment channel to prevent the water overflowing and dripping onto the food inside.

For this purpose use the tube cleaner provided with the appliance.



### 7.4 Defrosting of the freezer

The freezer compartment is frost free. This means that there is no build up of frost when it is in operation, neither on the internal walls, nor on the foods.

### 7.5 Period of non-operation

When the appliance is not in use for long period, take the following precautions:

1. Disconnect the appliance from electricity supply.
2. Remove all food.
3. Clean the appliance and all accessories.
4. Leave the doors open to prevent unpleasant smells.

## 8. TROUBLESHOOTING



### WARNING!

Refer to Safety chapters.

### 8.1 What to do if...

Problem	Possible cause	Solution
The appliance does not operate.	The appliance is switched off.	Switch on the appliance.
	The mains plug is not connected to the mains socket correctly.	Connect the mains plug to the mains socket correctly.
	There is no voltage in the mains socket.	Connect a different electrical appliance to the mains socket. Contact a qualified electrician.
The appliance is noisy.	The appliance is not supported properly.	Check if the appliance stands stable.
Acoustic or visual alarm is on.	The cabinet has been recently switched on.	Refer to "Door Open Alarm" or "High Temperature Alarm".
	The temperature in the appliance is too high.	Refer to "Door Open Alarm" or "High Temperature Alarm".
	The door is left open.	Close the door.
The compressor operates continually.	Temperature is set incorrectly.	Refer to "Control Panel" chapter.
	Many food products were put in at the same time.	Wait a few hours and then check the temperature again.
	The room temperature is too high.	Refer to "Installation" chapter.
	Food products placed in the appliance were too warm.	Allow food products to cool to room temperature before storing.
	The door is not closed correctly.	Refer to "Closing the door" section.

<b>Problem</b>	<b>Possible cause</b>	<b>Solution</b>
	The FastFreeze function is switched on.	Refer to "FastFreeze function" section.
	The FastCool function is switched on.	Refer to "FastCool function" section.
The compressor does not start immediately after pressing the "FastFreeze" or "FastCool", or after changing the temperature.	The compressor starts after a period of time.	This is normal, no error has occurred.
Door is misaligned or interferes with ventilation grill.	The appliance is not levelled.	Refer to installation instructions.
Door does not open easily.	You attempted to re-open the door immediately after closing.	Wait a few seconds between closing and re-opening of the door.
The lamp does not work.	The lamp is in stand-by mode.	Close and open the door.
	The lamp is defective.	Contact the nearest Authorized Service Centre.
There is too much frost and ice.	The door is not closed correctly.	Refer to "Closing the door" section.
	The gasket is deformed or dirty.	Refer to "Closing the door" section.
	Food products are not wrapped properly.	Wrap the food products better.
	Temperature is set incorrectly.	Refer to "Control Panel" chapter.
	Appliance is fully loaded and is set to the lowest temperature.	Set a higher temperature. Refer to "Control Panel" chapter.
	Temperature set in the appliance is too low and the ambient temperature is too high.	Set a higher temperature. Refer to "Control Panel" chapter.
Water flows on the rear plate of the refrigerator.	During the automatic defrosting process, frost melts on the rear plate.	This is correct.
There is too much condensed water on the rear wall of the refrigerator.	Door was opened too frequently.	Open the door only when necessary.
	Door was not closed completely.	Make sure the door is closed completely.

<b>Problem</b>	<b>Possible cause</b>	<b>Solution</b>
	Stored food was not wrapped.	Wrap food in suitable packaging before storing it in the appliance.
Water flows on the floor.	The melting water outlet is not connected to the evaporative tray above the compressor.	Attach the melting water outlet to the evaporative tray.
Temperature cannot be set.	The "FastFreeze function" or "FastCool function" is switched on.	Switch off "FastFreeze function" or "FastCool function" manually, or wait until the function deactivates automatically to set the temperature. Refer to "FastFreeze function" or "FastCool function" section.
The temperature in the appliance is too low/too high.	The temperature is not set correctly.	Set a higher/lower temperature.
	The door is not closed correctly.	Refer to "Closing the door" section.
	The food products' temperature is too high.	Let the food products temperature decrease to room temperature before storage.
	Many food products are stored at the same time.	Store less food products at the same time.
	The door has been opened often.	Open the door only if necessary.
	The FastFreeze function is switched on.	Refer to "FastFreeze function" section.
	The FastCool function is switched on.	Refer to "FastCool function" section.
	There is no cold air circulation in the appliance.	Make sure that there is cold air circulation in the appliance. Refer to "Hints and Tips" chapter.
DEMO appears on the display.	The appliance is in demonstration mode.	Keep the OK key pressed for approximately 10 seconds until a long sound is heard and the display turns off for a short time.

Problem	Possible cause	Solution
A □ or ◻ or ≡ symbol is shown instead of numbers on the temperature display.	Temperature sensor problem.	Contact the nearest Authorized Service Centre (the cooling system will continue to keep food products cold, but temperature adjustment will not be possible).

**i** If the advice does not lead to the desired result, call the nearest Authorized Service Centre.

## 8.2 Replacing the lamp

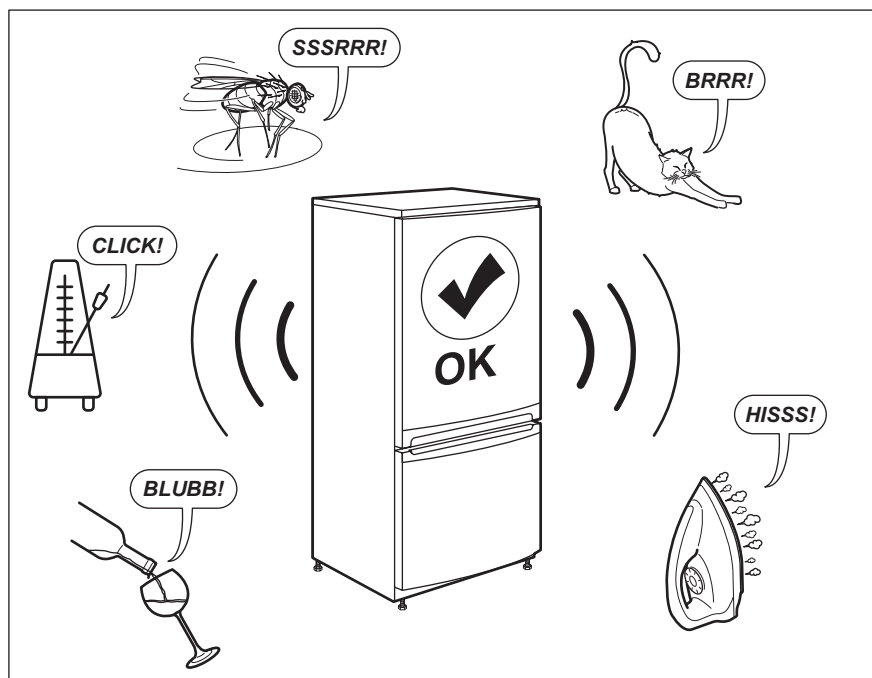
The appliance is equipped with a longlife LED interior light.

Only service is allowed to replace the lighting device. Contact your Authorised Service Centre.

## 8.3 Closing the door

1. Clean the door gaskets.
2. If necessary, adjust the door. Refer to installation instructions.
3. If necessary, replace the defective door gaskets. Contact the Authorised Service Centre.

## 9. NOISES



## 10. TECHNICAL DATA

The technical information is situated in the rating plate on the internal side of the appliance and on the energy label.

Voltage	Frequency
220~240 V	50 Hz

## 11. INFORMATION FOR TEST INSTITUTES

Installation and preparation of the appliance for any EcoDesign verification shall be compliant with EN 62552. Ventilation requirements, recess dimensions and minimum rear

clearances shall be as stated in this User Manual at Chapter 3. Please contact the manufacturer for any other further information, including loading plans.

## 12. GUARANTEE

### Customer Service Centres

Point of Service		
Industriestrasse 10 5506 Mägenwil	Le Trési 6 1028 Prévèrenge	Via Violino 11 6928 Manno
Morgenstrasse 131 3018 Bern		
Langgasse 10 9008 St. Gallen		
Am Mattenhof 4a/b 6010 Kriens		
Schlossstrasse 1 4133 Pratteln		
Comercialstrasse 19 7000 Chur		




**Spare parts service** Industriestrasse 10, 5506 Mägenwil, Tel. 0848 848 111


**Specialist advice/Sale** Badenerstrasse 587, 8048 Zürich, Tel. 044 405 81 11

**Warranty** For each product we provide a two-year guarantee from the date of purchase or delivery to the consumer (with a guarantee certificate, invoice or sales receipt serving as proof). The

guarantee covers the costs of materials, labour and travel. The guarantee will lapse if the operating instructions and conditions of use are not adhered to, if the product is incorrectly installed, or in the event of damage caused by external influences, force majeure, intervention by third parties or the use of non-genuine components.

## 13. ENVIRONMENTAL CONCERNS

Recycle materials with the symbol . Put the packaging in relevant containers to recycle it. Help protect the environment and human health by recycling waste of electrical and

electronic appliances. Do not dispose of appliances marked with the symbol  with the household waste. Return the product to your local recycling facility or contact your municipal office.

**For Switzerland:**

Where should you take your old equipment?

Anywhere that sells new equipment or hand it in to official SENS collection points or official SENS recycling firms.

The list of official SENS collection points can be found at [www.erecycling.ch](http://www.erecycling.ch)

## INHALTSVERZEICHNIS

1. SICHERHEITSHINWEISE.....	24
2. SICHERHEITSANWEISUNGEN.....	27
3. MONTAGE.....	29
4. BEDIENFELD.....	32
5. TÄGLICHER GEBRAUCH.....	35
6. TIPPS UND HINWEISE.....	38
7. REINIGUNG UND PFLEGE.....	41
8. FEHLERSUCHE.....	42
9. GERÄUSCHE.....	46
10. TECHNISCHE DATEN.....	46
11. INFORMATIONEN FÜR PRÜFINSTITUTE.....	46
12. GARANTIE.....	46

## WIR DENKEN AN SIE

Vielen Dank, dass Sie sich für ein Gerät von Electrolux entschieden haben. Sie haben ein Produkt gewählt, hinter dem jahrzehntelange professionelle Erfahrung und Innovation stehen. Bei der Entwicklung dieses großartigen und eleganten Geräts haben wir an Sie gedacht. So haben Sie bei jedem Gebrauch die Gewissheit, dass Sie stets großartige Ergebnisse erzielen werden.

Willkommen bei Electrolux.

**Besuchen Sie uns auf unserer Website, um:**



Anwendungshinweise, Prospekte, Fehlerbehebungs-, Service- und Reparatur-Informationen zu erhalten:

**[www.electrolux.com/support](http://www.electrolux.com/support)**



Ihr erworbenes Produkt zu registrieren, um den besten Service für es zu gewährleisten:

**[www.registerelectrolux.com](http://www.registerelectrolux.com)**



Zubehör, Verbrauchsmaterial und Original-Ersatzteile für Ihr Gerät zu erwerben:

**[www.electrolux.com/shop](http://www.electrolux.com/shop)**

## REPARATUR- UND KUNDENDIENST


Verwenden Sie ausschließlich Original-Ersatzteile.

Halten Sie folgende Angaben bereit, wenn Sie sich an den Kundendienst wenden: Modell, Produktnummer (PNC), Seriennummer.

Diese Informationen finden Sie auf dem Typenschild.

 Warnungs-/Sicherheitshinweise

 Allgemeine Informationen und Empfehlungen

 Informationen zum Umweltschutz

Änderungen vorbehalten.

### 1. SICHERHEITSHINWEISE

Lesen Sie vor der Montage und dem Gebrauch des Geräts zuerst die Bedienungsanleitung. Bei



Verletzungen oder Schäden infolge nicht ordnungsgemäßer Montage oder Verwendung übernimmt der Hersteller keine Haftung. Bewahren Sie die Anleitung zum Nachschlagen an einem sicheren und zugänglichen Ort auf.

## 1.1 Sicherheit von Kindern und schutzbedürftigen Personen

- Das Gerät kann von Kindern ab 8 Jahren und Personen mit eingeschränkten physischen, sensorischen oder geistigen Fähigkeiten oder mit mangelnder Erfahrung und/oder mangelndem Wissen nur dann verwendet werden, wenn sie durch eine für ihre Sicherheit zuständige Person beaufsichtigt werden oder in die sichere Verwendung des Geräts eingewiesen wurden und die mit dem Gerät verbundenen Gefahren verstanden haben.
- Kinder zwischen 3 und 8 Jahren dürfen das Gerät be- und entladen, vorausgesetzt, sie wurden ordnungsgemäß eingewiesen.
- Dieses Gerät kann von Personen mit schweren und komplexen Behinderungen benutzt werden, vorausgesetzt, sie wurden ordnungsgemäß eingewiesen.
- Halten Sie Kinder unter 3 Jahren vom Gerät fern, wenn sie nicht ständig beaufsichtigt werden.
- Kinder dürfen nicht mit dem Gerät spielen.
- Kinder dürfen keine Reinigung und Wartung ohne Beaufsichtigung durchführen.
- Halten Sie sämtliches Verpackungsmaterial von Kindern fern und entsorgen Sie es ordnungsgemäß.

## 1.2 Allgemeine Sicherheit

- Dieses Gerät ist für die Verwendung im Haushalt und ähnliche Zwecke vorgesehen, wie z. B.:
  - Bauernhöfe, Personalküchenbereiche in Geschäften, Büros und anderen Arbeitsumfeldern;

- Für Gäste in Hotels, Motels, Pensionen und anderen wohnungsähnlichen Räumlichkeiten.
- Um eine Kontaminierung von Lebensmitteln zu vermeiden, beachten Sie die folgenden Hinweise:
  - Öffnen Sie die Tür nicht über längere Zeit hinweg;
  - Reinigen Sie regelmäßig Oberflächen, die mit Lebensmitteln in Kontakt kommen können, und zugängliche Ablaufsysteme;
  - Lagern Sie rohes Fleisch und Fisch in geeigneten Behältern im Kühlschrank, so dass sie nicht mit anderen Lebensmitteln in Berührung kommen oder auf diese tropfen.
- **WARNUNG:** Achten Sie darauf, dass die Belüftungsöffnungen im Schrank, um das Gerät und in der Einbaunische nicht blockiert sind.
- **WARNUNG:** Versuchen Sie nicht, den Abtauvorgang durch andere als vom Hersteller empfohlene mechanische oder sonstige Hilfsmittel zu beschleunigen.
- **WARNUNG:** Beschädigen Sie nicht den Kältekreislauf.
- **WARNUNG:** Betreiben Sie in den Lebensmittelfächern des Geräts keine anderen als die vom Hersteller empfohlenen Elektrogeräte.
- Reinigen Sie das Gerät nicht mit Wasserspray oder Dampf.
- Reinigen Sie das Gerät mit einem weichen, feuchten Tuch. Nur neutrale Reinigungsmittel verwenden. Benutzen Sie keine Scheuermittel, scheuernde Reinigungsschwämmchen, Lösungsmittel oder Metallgegenstände.
- Wenn das Gerät längere Zeit leer steht, schalten Sie es aus, tauen Sie es ab, reinigen und trocknen Sie es und lassen Sie die Tür offen, um Schimmelbildung im Gerät zu vermeiden.
- Bewahren Sie in dem Gerät keine explosiven Substanzen, wie Spraydosen mit entzündlichen Treibgasen auf.

- Wenn das Netzkabel beschädigt ist, muss es vom Hersteller, seinem autorisierten Kundenservice oder einer gleichermaßen qualifizierten Person ausgetauscht werden, um Gefahrenquellen zu vermeiden.

## 2. SICHERHEITSANWEISUNGEN

### 2.1 Montage



#### **WARNUNG!**

Die Montage des Geräts darf nur von einer qualifizierten Fachkraft durchgeführt werden.

- Entfernen Sie das gesamte Verpackungsmaterial.
- Montieren Sie ein beschädigtes Gerät nicht und benutzen Sie es nicht.
- Verwenden Sie das Gerät aus Sicherheitsgründen nicht, bevor es in den Einbauschränk gesetzt wird.
- Halten Sie sich an die mitgelieferte Montageanleitung.
- Seien Sie beim Umsetzen des Gerätes vorsichtig, da es sehr schwer ist. Tragen Sie stets Sicherheitshandschuhe und festes Schuhwerk.
- Stellen Sie sicher, dass die Luft um das Gerät zirkulieren kann.
- Warten Sie nach der Montage oder dem Wechsel des Türanschlags mindestens 4 Stunden, bevor Sie das Gerät an die Stromversorgung anschließen. Dies ist erforderlich, damit das Öl in den Kompressor zurückfließen kann.
- Ziehen Sie den Stecker aus der Steckdose, bevor Sie am Gerät arbeiten (z.B. Wechsel des Türanschlags).
- Stellen Sie das Gerät nicht in der Nähe von Heizkörpern, Herden, Backöfen oder Kochfeldern auf.
- Setzen Sie das Gerät nicht dem Regen aus.
- Stellen Sie das Gerät nicht dort auf, wo es direktem Sonnenlicht ausgesetzt sein könnte.
- Stellen Sie dieses Gerät nicht in Bereichen auf, die zu feucht oder kalt sind.

- Wenn Sie das Gerät verschieben möchten, heben Sie es bitte an der Vorderkante an, um den Fußboden nicht zu verkratzen.

### 2.2 Elektrischer Anschluss



#### **WARNUNG!**

Brand- und Stromschlaggefahr.



#### **WARNUNG!**

Achten Sie bei der Montage des Geräts darauf, dass das Netzkabel nicht eingeklemmt oder beschädigt wird.



#### **WARNUNG!**

Verwenden Sie keine Mehrfachsteckdosen oder Verlängerungskabel.

- Das Gerät muss geerdet sein.
- Stellen Sie sicher, dass die Daten auf dem Typenschild mit den elektrischen Nennwerten der Netzspannung übereinstimmen.
- Schließen Sie das Gerät nur an eine ordnungsgemäß installierte Schutzkontaktsteckdose an.
- Achten Sie darauf, elektrische Bauteile (wie Netzstecker, Netzkabel und Kompressor) nicht zu beschädigen. Wenden Sie sich an den autorisierten Kundendienst oder einen Elektriker, um die elektrischen Bauteile auszutauschen.
- Das Netzkabel muss unterhalb des Netzsteckers verlegt werden.
- Stecken Sie den Netzstecker erst nach Abschluss der Montage in die Steckdose. Stellen Sie sicher, dass der Netzstecker nach der Montage noch zugänglich ist.
- Ziehen Sie nicht am Netzkabel, wenn Sie das Gerät von der

Stromversorgung trennen möchten.  
Ziehen Sie stets am Netzstecker.

## 2.3 Gebrauch



### **WARNUNG!**

Es besteht Verletzungs-,  
Verbrennungs-,  
Stromschlag- oder  
Brandgefahr.



Das Gerät enthält Isobutan (R600a), ein brennbares Erdgas mit einem hohen Grad an Umweltverträglichkeit. Achten Sie darauf, den Kältekreislauf, der Isobutan enthält, nicht zu beschädigen.

- Nehmen Sie keine technischen Änderungen am Gerät vor.
- Stellen Sie keine elektrischen Geräte (z. B. Eisbereiter) in das Gerät, wenn solche Geräte nicht ausdrücklich vom Hersteller für diesen Zweck zugelassen sind.
- Wird der Kältekreislauf beschädigt, stellen Sie bitte sicher, dass es keine Flammen und Zündquellen im Raum gibt. Belüften Sie den Raum.
- Stellen Sie keine heißen Gegenstände auf die Kunststoffteile des Geräts.
- Legen Sie Erfrischungsgetränke nicht in das Gefrierfach. Dadurch entsteht Druck auf den Getränkebehälter.
- Bewahren Sie keine entzündbaren Gase und Flüssigkeiten im Gerät auf.
- Laden Sie keine entflammaren Produkte oder Gegenstände, die mit entflammaren Produkten benetzt sind, in das Gerät und stellen Sie solche nicht in die Nähe oder auf das Gerät.
- Berühren Sie nicht den Kompressor oder den Kondensator. Sie sind heiß.
- Nehmen Sie keine Gegenstände aus dem Gefrierfach bzw. berühren Sie diese nicht, falls Ihre Hände nass oder feucht sind.
- Frieren Sie aufgetaute Lebensmittel nicht wieder ein.
- Befolgen Sie die Hinweise auf der Verpackung zur Aufbewahrung tiefgekühlter Lebensmittel.

- Wickeln Sie die Lebensmittel in Lebensmittelkontaktmaterial ein, bevor Sie sie in das Gefrierfach legen.

## 2.4 Innenbeleuchtung



### **WARNUNG!**

Stromschlaggefahr.

- Bezüglich der Lampe(n) in diesem Gerät und separat verkaufter Ersatzlampen: Diese Lampen müssen extremen physikalischen Bedingungen in Haushaltsgeräten standhalten, wie z.B. Temperatur, Vibration, Feuchtigkeit, oder sollen Informationen über den Betriebszustand des Gerätes anzeigen. Sie sind nicht für den Einsatz in anderen Geräten vorgesehen und nicht für die Raumbelichtung geeignet.

## 2.5 Reinigung und Pflege



### **WARNUNG!**

Verletzungsgefahr sowie Risiko von Schäden am Gerät.

- Schalten Sie das Gerät immer aus und ziehen Sie den Netzstecker aus der Steckdose, bevor Reinigungsarbeiten durchgeführt werden.
- Der Kältekreis des Gerätes enthält Kohlenwasserstoffe. Das Gerät muss von einer qualifizierten Fachkraft gewartet und nachgefüllt werden.
- Prüfen Sie regelmäßig den Wasserabfluss des Geräts und reinigen Sie ihn gegebenenfalls. Bei verstopftem Wasserabfluss sammelt sich das Abtauwasser am Boden des Geräts an.

## 2.6 Wartung

- Zur Reparatur des Geräts wenden Sie sich an den autorisierten Kundendienst. Dabei dürfen ausschließlich Originalersatzteile verwendet werden.
- Bitte beachten Sie, dass eigene Reparaturen oder Reparaturen, die nicht von Fachkräften durchgeführt werden, die Sicherheit des Geräts

beeinträchtigen und die Garantie ungültig machen können.

## 2.7 Entsorgung



### **WARNUNG!**

Verletzungs- und Erstickungsgefahr.

- Trennen Sie das Gerät von der Stromversorgung.
- Schneiden Sie das Netzkabel ab, und entsorgen Sie es.
- Entfernen Sie die Tür, um zu verhindern, dass sich Kinder oder Haustiere in dem Gerät einschließen.

- Der Kältekreislauf und die Isolierungsmaterialien dieses Gerätes sind ozonfreundlich.
- Die Isolierung enthält entzündliches Gas. Für Informationen zur korrekten Entsorgung des Gerätes wenden Sie sich an Ihre kommunale Behörde.
- Achten Sie darauf, dass die Kühleinheit in der Nähe des Wärmetauschers nicht beschädigt wird.

## 3. MONTAGE



### **WARNUNG!**

Siehe Kapitel Sicherheitshinweise.



### **WARNUNG!**

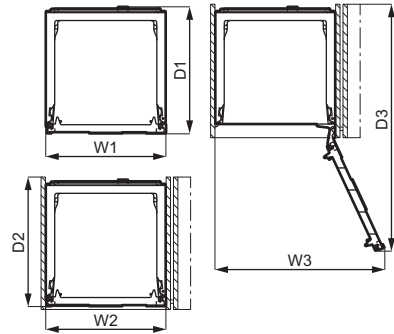
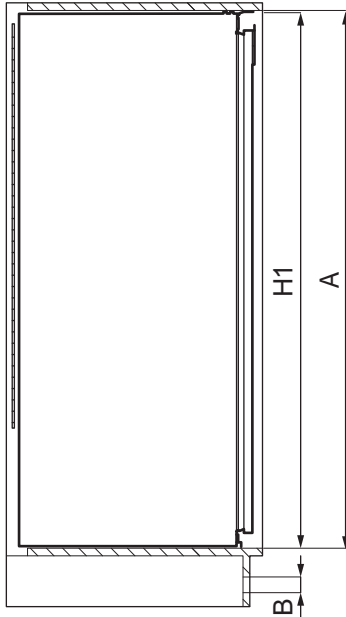
Lesen Sie zur Installation des Geräts die Montageanleitung.



### **WARNUNG!**

Befestigen Sie das Gerät gemäß der Montageanleitung, um das Risiko eines instabilen Geräts zu vermeiden.

### 3.1 Abmessungen



Gesamtabmessungen <sup>1</sup>		
H1	mm	1521
W1	mm	548
D1	mm	576

<sup>1</sup> Höhe, Breite und Tiefe des Geräts ohne Griff und Füße

Platzbedarf während des Betriebs <sup>2</sup>		
H2 (A+B)	mm	1561
W2	mm	549
D2	mm	585
A	mm	1524
B	mm	37

<sup>2</sup> Höhe, Breite und Tiefe des Geräts einschließlich Griff und zuzüglich des notwendigen Freiraums für die Zirkulation der Kühlluft

Platzbedarf insgesamt während des Betriebs <sup>3</sup>		
H3 (A+B)	mm	1561
W3	mm	767
D3	mm	1115

<sup>3</sup> Höhe, Breite und Tiefe des Geräts einschließlich Griff plus des notwendigen Freiraums für die Zirkulation der Kühlluft, zuzüglich des Platzes, der notwendig ist, um eine Türöffnung bis zu dem minimalen Winkel zu ermöglichen, der die Entfernung der gesamten Innenausstattung erlaubt

### 3.2 Standort

Um die beste Funktionalität des Gerätes zu gewährleisten, sollten Sie das Gerät nicht in der Nähe von Wärmequellen (Backöfen, Heizöfen, Heizkörpern, Herden oder Kochfeldern) oder an einem Ort mit direkter Sonneneinstrahlung installieren. Stellen Sie sicher, dass die

Luft frei um die Geräterückseite zirkulieren kann.

Dieses Gerät sollte in einem trockenen, gut belüfteten Innenbereich aufgestellt werden.

Dieses Gerät ist für den Einsatz bei einer Umgebungstemperatur von 10°C bis 43°C vorgesehen.

**i** Der ordnungsgemäße Betrieb des Geräts wird nur innerhalb des angegebenen Temperaturbereichs gewährleistet.

**i** Bei Fragen zum Aufstellungsort des Geräts wenden Sie sich an den Verkäufer, unseren Kundendienst oder nächstgelegenen autorisierten Kundendienst.

**i** Es muss möglich sein, das Gerät vom Netz zu trennen. Daher muss der Stecker nach der Installation zugänglich bleiben.

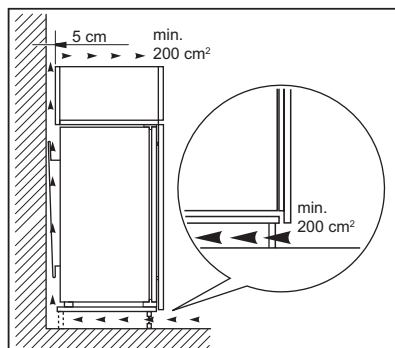
### 3.3 Elektroanschluss

- Kontrollieren Sie vor dem Einschalten des Geräts, ob die Netzspannung und -frequenz Ihres Hausanschlusses mit den auf dem Typenschild angegebenen Anschlusswerten übereinstimmen.
- Das Gerät muss geerdet sein. Zu diesem Zweck ist der Netzstecker mit einem Schutzkontakt ausgestattet. Falls die Steckdose Ihres Hausanschlusses nicht geerdet sein sollte, lassen Sie das Gerät gemäß den geltenden Vorschriften von einem qualifizierten Elektriker erden.

- Der Hersteller übernimmt keinerlei Haftung bei Missachtung der vorstehenden Sicherheitshinweise.
- Das Gerät entspricht den EC-Richtlinien.

### 3.4 Anforderungen an die Belüftung

Der Luftstrom hinter dem Gerät muss ausreichend sein.



#### **VORSICHT!**

Lesen Sie die Montageanleitungen für die Installation.

### 3.5 Wechseln des Türanschlags

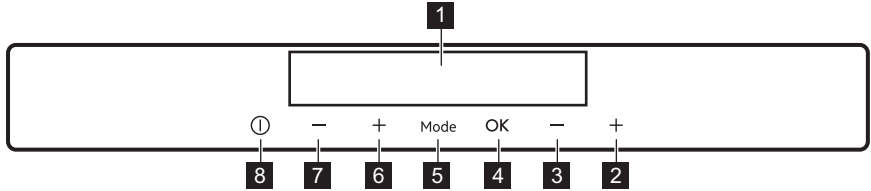
Informationen zu Montage und zum Wechseln des Türanschlags finden Sie in einer separaten Anleitung.



#### **VORSICHT!**

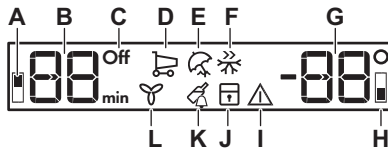
Wenn Sie den Türanschlag wechseln, schützen Sie den Boden mit einem strapazierfähigem Material vor Verkratzungen.

## 4. BEDIENFELD



- 1** Display
- 2** Taste zum Erhöhen der Gefrierraumtemperatur
- 3** Taste zum Senken der Gefrierraumtemperatur
- 4** OK
- 5** Mode
- 6** Taste zum Erhöhen der Kühlraumtemperatur
- 7** Taste zum Senken der Kühlraumtemperatur
- 8** ON/OFF  
Der voreingestellte Tastenton lässt sich ändern. Halten Sie dazu Mode und die Taste zum Senken der Temperatur einige Sekunden gleichzeitig gedrückt. Die Änderung lässt sich rückgängig machen.

### 4.1 Display



- A.** Anzeige Kühlraum
- B.** Timer-Anzeige /Temperaturanzeige
- C.** ON/OFF Anzeige
- D.** Funktion FastCool
- E.** Holiday-Modus
- F.** Funktion FastFreeze
- G.** Temperaturanzeige
- H.** Anzeige Gefrierraum
- I.** Alarmanzeige
- J.** Funktion ChildLock
- K.** Funktion DrinksChill
- L.** Funktion DYNAMICAIR

### 4.2 Einschalten des Geräts

1. Stecken Sie den Netzstecker in die Netzsteckdose.
2. Drücken Sie ON/OFF, wenn das Display ausgeschaltet ist. Die Temperaturanzeigen zeigen die jeweils eingestellte Standardtemperatur an.  
Informationen zur Auswahl einer anderen Temperatur finden Sie unter „Temperaturregelung“.

Wenn im Display "dEMO" angezeigt wird, siehe Abschnitt „Fehlersuche“.

### 4.3 Ausschalten des Geräts

1. Halten Sie ON/OFF 3 Sekunden gedrückt.  
Das Display wird ausgeschaltet.
2. Ziehen Sie den Netzstecker aus der Netzsteckdose.

### 4.4 Temperaturregelung

Stellen Sie die Temperatur durch Drücken der Temperaturregler ein. Die empfohlene Standard-Einstelltemperatur ist:

- +4 °C für den Kühlschrank
- -18 °C für das Gefriergerät



Der Temperatureinstellbereich liegt zwischen  $-15\text{ °C}$  und  $-24\text{ °C}$  für das Gefriergerät und zwischen  $2\text{ °C}$  und  $8\text{ °C}$  für den Kühlschrank.

Die Temperaturanzeigen zeigen die eingestellten Temperaturen an.

- i** Die eingestellte Temperatur wird innerhalb von 24 Stunden erreicht. Nach einem Stromausfall bleibt die eingestellte Temperatur gespeichert.

## 4.5 Einschalten des Kühlschranks

Zum Einschalten des Kühlschranks drücken Sie einfach auf den Kühlschrank-Temperaturregler. Alternativ können Sie folgendermaßen vorgehen:

1. Drücken Sie Mode, bis das entsprechende Symbol angezeigt wird.

Die Kühlraumanzeige OFF blinkt.

2. Drücken Sie OK zur Bestätigung. Die Anzeige OFF des Kühlschranks erlischt und der Kühlraum wird ausgeschaltet.

- i** Informationen zur Auswahl einer anderen Temperatur finden Sie unter „Temperaturregelung“.

## 4.6 Ausschalten des Kühlschranks

Es ist möglich nur den Kühlraum auszuschalten und das Gefriergerät eingeschaltet zu lassen.

1. Drücken Sie Mode, bis die Kühlraumanzeige erscheint. Die Anzeige OFF des Kühlschranks und die Kühlraumanzeige blinken. Die Kühlschrank-Temperaturanzeige zeigt Striche an.
2. Drücken Sie OK zur Bestätigung. Die Anzeige OFF des Kühlschranks erscheint und der Kühlschrank wird ausgeschaltet.

## 4.7 Funktion FastCool

Wenn Sie zum Beispiel nach einem Einkauf größere Mengen warmer Lebensmittel in den Kühlschrank einlegen möchten, empfehlen wir die Aktivierung der Funktion FastCool, um die Lebensmittel schneller zu kühlen und um zu vermeiden, dass die bereits im Kühlschrank befindlichen Lebensmittel erwärmt werden.

1. Drücken Sie Mode, bis das entsprechende Symbol angezeigt wird.

Die Anzeige FastCool blinkt.

2. Mit OK bestätigen.

Die Anzeige FastCool erscheint. Der Ventilator schaltet sich automatisch während der laufenden Funktion ein. Die Funktion wird nach etwa 6 Stunden automatisch ausgeschaltet.

Sie können die Funktion FastCool vor ihrer automatischen Abschaltung ausschalten, indem Sie das Verfahren wiederholen oder eine andere Kühlschranktemperatur einstellen.

## 4.8 Holiday-Modus

In diesem Modus können Sie den Kühlraum während eines längeren Urlaubs leer stehen lassen und die Entwicklung von unangenehmen Gerüchen reduzieren, während der Gefrierraum weiterhin normal funktioniert.

1. Drücken Sie Mode, bis das entsprechende Symbol angezeigt wird.

Die Anzeige Holiday blinkt. Die Temperaturanzeige zeigt die eingestellte Temperatur an.

2. Mit OK bestätigen. Die Anzeige Holiday erscheint.

- i** Dieser Modus wird ausgeschaltet, wenn Sie eine andere Temperatur wählen.

## 4.9 Funktion FastFreeze

Die Funktion FastFreeze dient dazu das Gefrierfach auf das Vorgefrieren und anschließende Schnellgefrieren der

Lebensmittel vorzubereiten. Die Funktion ist eine Schnellgefrierfunktion, die die Tiefkühlung neu hinzukommender Lebensmittel beschleunigt und gleichzeitig die bereits tiefgekühlten Lebensmittel vor unerwünschter Erwärmung schützt.



Um frische Lebensmittel einzufrieren, schalten Sie die FastFreeze-Funktion mindestens 24 Stunden, bevor Sie die einzufrierenden Lebensmittel in das Gefrierfach hinein legen, ein.

1. Drücken Sie zum Einschalten dieser Funktion die Mode-Taste, bis das entsprechende Symbol leuchtet. Die Anzeige FastFreeze blinkt.
2. Mit OK bestätigen. Die Anzeige FastFreeze erscheint. Diese Funktion endet automatisch nach 52 Stunden.

Sie können die Funktion FastFreeze vor ihrer automatischen Abschaltung ausschalten, indem Sie das Verfahren wiederholen, bis die Anzeige FastFreeze erlischt oder eine andere Temperatur einstellen.

## 4.10 DYNAMICAIR Funktion

Das Kühlfach ist mit einer Vorrichtung ausgestattet, die das schnelle Abkühlen von Lebensmitteln ermöglicht und eine gleichmäßigere Temperatur im Fach aufrechterhält.

Diese Vorrichtung schaltet sich bei Bedarf automatisch ein und lässt sich auch manuell aktivieren.

Einschalten der Funktion:

1. Drücken Sie die Mode Taste, bis das entsprechende Symbol angezeigt wird. Die DYNAMICAIR Anzeige blinkt.
2. Drücken Sie die OK Taste zur Bestätigung. Die DYNAMICAIR Anzeige wird angezeigt.

Wiederholen Sie zum Ausschalten der Funktion den Vorgang bis die DYNAMICAIR Anzeige erlischt.



Wenn die Funktion automatisch aktiviert wird, wird die DYNAMICAIR Anzeige nicht angezeigt (siehe „Täglicher Gebrauch“). Das Aktivieren der DYNAMICAIR Funktion erhöht den Energieverbrauch.

Der Ventilator schaltet sich ab, wenn die Tür geöffnet wird und schaltet sich wieder ein, sobald die Tür geschlossen wird.

## 4.11 Funktion ChildLock

Schalten Sie die Funktion ChildLock ein, um die Tasten gegen eine unbeabsichtigte Betätigung zu verriegeln.

1. Drücken Sie Mode, bis das entsprechende Symbol angezeigt wird.

Die Anzeige ChildLock blinkt.

2. Drücken Sie OK zur Bestätigung. Die Anzeige ChildLock erscheint.

Um die Funktion ChildLock auszuschalten, wiederholen Sie den Vorgang, bis die Anzeige ChildLock erlischt.

## 4.12 Funktion DrinksChill

Mit der Funktion DrinksChill wird ein akustischer Alarm auf eine gewünschte Zeit eingestellt. Dies ist zum Beispiel nützlich, wenn ein Rezept erfordert, dass eine Speise für eine bestimmte Zeit abkühlen muss.

Sie ist ebenfalls nützlich, wenn Sie die Flaschen oder Dosen, die Sie für eine schnellere Kühlung in den Gefrierraum gelegt haben, nicht vergessen möchten.

1. Drücken Sie Mode, bis das entsprechende Symbol angezeigt wird.

Die Anzeige DrinksChill blinkt.

Der Timer zeigt den eingestellten Wert (30 Minuten) einige Sekunden lang an.

2. Drücken Sie den Timerregler, um den eingestellten Wert des Timers auf 1 bis 90 Minuten zu ändern.
3. Drücken Sie OK zur Bestätigung.

Die Anzeige DrinksChill erscheint. Im Timer blinkt (min). Nach Ablauf des Countdowns blinkt die Anzeige „0 min“ und es ertönt ein Alarmsignal. Schalten Sie den Alarmton und die Funktion mit OK aus.

Wiederholen Sie zum Ausschalten der Funktion die obigen Schritte, bis DrinksChill erlischt.

- i** Die Zeit kann während des Countdowns und am Ende geändert werden, indem Sie die Tasten zur Erhöhung und Verringerung der Temperatur drücken.

### 4.13 Hochtemperaturalarm

Bei einem Temperaturanstieg im Gefrierfach (zum Beispiel aufgrund eines vorausgegangenen Stromausfalls) leuchtet die Alarm- und Gefrierraumanzeige und es ertönt ein Signalton.

Ausschalten des Alarms:

1. Drücken Sie eine beliebige Taste. Der Signalton wird ausgeschaltet.
2. Die Temperaturanzeige des Gefriergeräts zeigt die höchste

erreichte Temperatur ein paar Sekunden lang an, danach zeigt das Display wieder die eingestellte Temperatur an.

- i** Die Alarmanzeige blinkt so lange, bis die normalen Bedingungen wiederhergestellt sind. Wenn Sie keine Taste drücken, schaltet sich der Ton nach etwa einer Stunde automatisch ab, um nicht zu stören.

### 4.14 Alarm Tür offen

Wenn die Kühlschranktür etwa 5 Minuten geöffnet bleibt, ertönt der Signalton und die Alarmanzeige blinkt.

Der Signalton erlischt, wenn die Tür geschlossen wird. In der Alarmphase kann der Signalton durch Drücken einer beliebigen Taste ausgeschaltet werden.

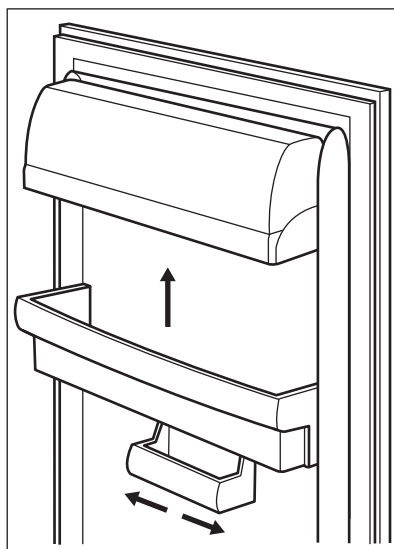
- i** Wenn Sie keine Taste drücken, schaltet sich der Ton nach etwa einer Stunde automatisch ab, um nicht zu stören.

## 5. TÄGLICHER GEBRAUCH

### 5.1 Positionieren der Türablagen

Um die Lagerung von Lebensmittelpackungen verschiedener Größen zu ermöglichen, können die Türunterteilungsfächer in verschiedenen Höhen angeordnet werden.

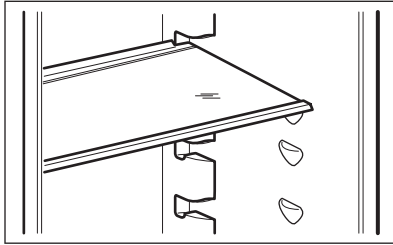
1. Ziehen Sie die Ablage langsam nach oben, bis diese sich löst.
2. Positionieren Sie diese neu wie erforderlich.



Dieses Modell ist mit einer variablen Lagerbox ausgestattet, die seitlich bewegt werden kann.

## 5.2 Verstellbare Ablagen

Die Wände des Kühlschranks sind mit einer Reihe von Führungsschienen ausgestattet, die verschiedene Möglichkeiten für das Einsetzen der Ablagen bieten.



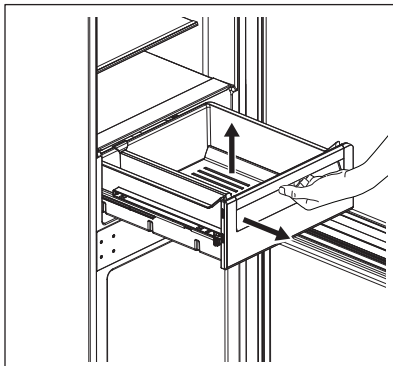
Die Glasablage über der Gemüseschublade sollte jedoch nicht verstellt werden, um eine korrekte Luftzirkulation zu gewährleisten.

## 5.3 Obst-/Gemüseschublade

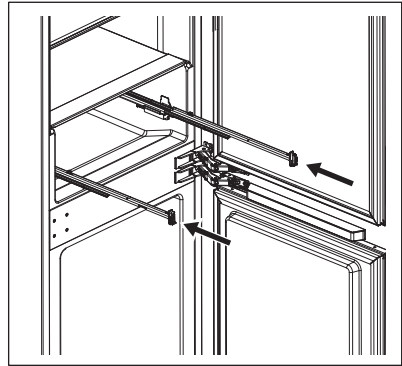
Die Schublade eignet sich zum Aufbewahren von Obst und Gemüse.

Herausnehmen der Schublade (z.B. zur Reinigung):

1. Ziehen Sie die Schublade heraus und heben Sie sie an.

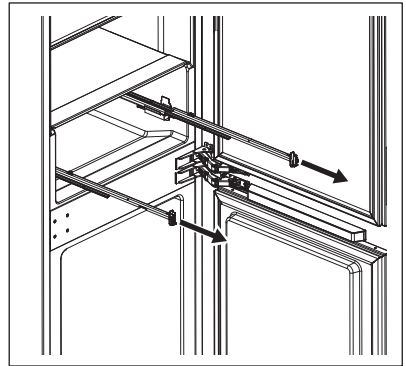


2. Schieben Sie die Schienen in das Gerät, um eine Beschädigung des Geräts beim Schließen der Tür zu verhindern.

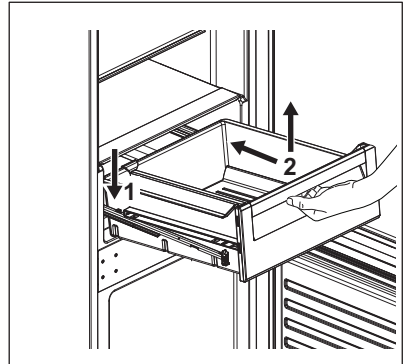


Wiedereinbau:

1. Ziehen Sie die Schienen heraus.



2. Setzen Sie den hinteren Teil der Schublade (1) auf die Schienen.

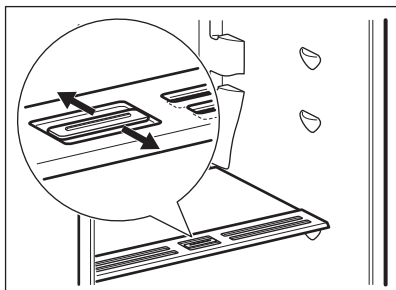


3. Heben Sie den vorderen Teil der Schublade (2) an, während Sie sie hineinschieben.
4. Drücken Sie den vorderen Teil der Schublade nach unten.

- i** Ziehen Sie die Schublade wieder heraus, um zu prüfen, ob sie richtig auf den hinteren und vorderen Haken sitzt.

## 5.4 Feuchtigkeitsregulierung

In die Glasablage ist eine Vorrichtung mit (über einen Schieber verstellbaren) Schlitz integriert, die die Feuchtigkeitsregelung in den Gemüseschubladen ermöglicht.



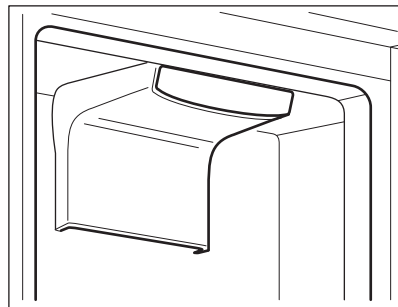
Die Position des Feuchtigkeitsreglers hängt von der Art und der Menge des Obstes und Gemüses ab:

- Schlitz geschlossen: Für eine kleine Menge an Obst und Gemüse empfohlen. So bleibt der Feuchtigkeitsgehalt im Obst und Gemüse länger erhalten.
- Schlitz geöffnet: Für eine große Menge an Obst und Gemüse empfohlen. Auf diese Weise führt eine höhere Luftzirkulation zu einer geringeren Luftfeuchtigkeit.

## 5.5 DYNAMICAIR

Das Kühlfach ist mit einer Vorrichtung ausgestattet, die das schnelle Abkühlen von Lebensmitteln ermöglicht und eine gleichmäßigere Temperatur im Fach aufrechterhält.

Diese Vorrichtung schaltet sich bei Bedarf automatisch ein.



Die Vorrichtung kann bei Bedarf auch manuell eingeschaltet werden (siehe „Funktion DYNAMICAIR“).

- i** Der Lüfter ist nur bei geschlossener Tür in Betrieb.

## 5.6 Einfrieren frischer Lebensmittel

Das Gefrierfach eignet sich zum Einfrieren frischer Lebensmittel und zur langfristigen Aufbewahrung gefrorener und tiefgefrorener Lebensmittel.

Um frische Lebensmittel einzufrieren, aktivieren Sie bitte die FastFreeze-Funktion mindestens 24 Stunden, bevor Sie die einzufrierenden Lebensmittel in das Gefrierfach legen.

Lagern Sie frische Lebensmittel gleichmäßig verteilt im dritten Fach oder der dritten Schublade von oben.

Die maximale Menge an Lebensmitteln, die ohne Hinzufügen von anderen frischen Lebensmittel innerhalb von 24 Stunden eingefroren werden kann, ist auf dem Typenschild (einem Schild im Gerät) angegeben.

Nach Abschluss des Gefriervorgangs kehrt das Gerät automatisch auf die vorherige Temperatureinstellung zurück (siehe „FastFreeze-Funktion“).

## 5.7 Lagerung von Tiefkühlgerichten

Lassen Sie das Gerät vor der ersten Inbetriebnahme oder nach einer Zeit, in der das Gerät nicht benutzt wurde, mindestens 3 Stunden lang mit

eingeschalteter Funktion FastFreeze laufen, bevor Sie Lebensmittel in das Fach legen.

Lagern Sie die Lebensmittel mit einem Mindestabstand von 15 mm zur Tür.



#### **VORSICHT!**

Kam es zum Beispiel zum Auftauen durch einen Stromausfall, der länger dauerte, als der auf dem Typenschild angegebene Wert unter Lagerzeit bei Störung, dann müssen die aufgetauten Lebensmittel schnell verbraucht oder sofort gekocht und nach dem Abkühlen wieder eingefroren werden. Siehe „Hochtemperaturwarnung“.

## 5.8 Abtauen

Tiefgefrorene oder gefrorene Lebensmittel können vor dem Verzehr im

Kühlschrank oder in einem Plastikbeutel unter kaltem Wasser aufgetaut werden.

Dieser Vorgang hängt von der verfügbaren Zeit und der Lebensmittelart ab. Kleinere Gefriergutteile können sogar noch gefroren gekocht werden.

## 5.9 Herstellen von Eiswürfeln

Dieses Gerät ist mit einer oder mehreren Schalen für die Herstellung von Eiswürfeln ausgestattet.



Verwenden Sie zum Entnehmen der Schalen aus dem Gefrierfach keine Gegenstände aus Metall.

1. Füllen Sie die Schalen mit Wasser.
2. Stellen Sie die Eisschalen in das Gefrierfach.

# 6. TIPPS UND HINWEISE

## 6.1 Tipps zum Energiesparen

- Gefriergerät: Die interne Konfiguration des Geräts gewährleistet die effizienteste Energienutzung.
- Kühlschrank: Die effizienteste Energienutzung wird erreicht, wenn die Schubladen im unteren Teil des Geräts eingesetzt und die Ablagen gleichmäßig angeordnet sind. Die Position der Türablagen wirkt sich nicht auf den Energieverbrauch aus.
- Öffnen Sie die Tür nicht zu häufig, und lassen Sie diese nicht länger offen als notwendig.
- Gefriergerät: Je kälter die Temperatureinstellung, desto höher der Energieverbrauch.
- Kühlschrank: Stellen Sie die Temperatur nicht zu hoch ein, um Energie zu sparen, es sei denn, dies ist wegen der Beschaffenheit des Lebensmittels erforderlich.
- Wenn die Umgebungstemperatur hoch ist, der Temperaturregler auf eine niedrige Temperatur eingestellt und das Gerät voll beladen ist, kann es zu andauerndem Betrieb des

Kompressors und damit zu Reif- oder Eisbildung am Verdampfer kommen. Stellen Sie in diesem Fall den Temperaturregler auf eine höhere Temperatur, um das automatische Abtauen zu ermöglichen und Energie zu sparen.

- Sorgen Sie für eine gute Belüftung. Bedecken Sie die Belüftungsgitter oder -öffnungen nicht.
- Vergewissern Sie sich, dass die Lebensmittel im Inneren des Geräts eine Luftzirkulation durch entsprechende Öffnungen im hinteren Teil des Geräts ermöglichen.

## 6.2 Hinweise zum Einfrieren

- Schalten Sie die FastFreeze-Funktion mindestens 24 Stunden, bevor Sie die Lebensmittel in das Gefrierfach hinein legen, ein.
- Vor dem Einfrieren verpacken und verschließen Sie frische Lebensmittel in: Aluminiumfolie, Kunststoffolie oder -beutel, luftdichte Behälter mit Deckel.


- Teilen Sie die Lebensmittel in kleine Portionen, um das Einfrieren und Auftauen zu erleichtern.
- Es wird empfohlen, Ihre tiefgekühlten Lebensmittel mit Etiketten und dem Datum zu versehen. So können Sie die Lebensmittel identifizieren und erkennen wann sie verzehrt werden sollten, bevor sie verderben.
- Die Lebensmittel sollten beim Einfrieren frisch sein, um eine gute Qualität zu bewahren. Besonders Obst und Gemüse sollte nach der Ernte eingefroren werden, um alle Nährstoffe zu erhalten.
- Frieren Sie keine Flaschen oder Dosen mit Flüssigkeiten, insbesondere kohlenensäurehaltige Getränke, ein - die Gefäße können beim Einfrieren explodieren.
- Geben Sie keine heißen Lebensmittel in den Gefrierraum. Vergewissern Sie sich, dass sie auf Raumtemperatur abgekühlt sind, bevor Sie sie in das Fach legen.
- Um eine Erwärmung bereits eingefrorener Lebensmittel zu verhindern, legen Sie die frischen, nicht gefrorenen Lebensmittel nicht direkt neben sie. Legen Sie die Lebensmittel mit Raumtemperatur in die Gefrierfächer, die keine gefrorenen Lebensmittel enthalten.
- Essen Sie keine Eiswürfel, Wassereis oder Eis am Stiel, wenn sie direkt aus dem Gefriergerät genommen wurden. Gefahr von Erfrierungen.
- Frieren Sie aufgetaute Lebensmittel nicht wieder ein. Wenn Lebensmittel aufgetaut wurden, kochen Sie sie, lassen Sie sie abkühlen und frieren Sie sie dann ein.
- Eine gute Temperatureinstellung, die die Konservierung von Tiefkühlgerichten sicherstellt, ist eine Temperatur von weniger oder gleich -18 °C. Eine höhere Temperatureinstellung im Gerät kann die Haltbarkeit verkürzen.
- Der gesamte Gefrierraum ist für die Lagerung von Tiefkühlprodukten geeignet.
- Lassen Sie ausreichend Platz um die Lebensmittel herum, damit die Luft frei zirkulieren kann.
- Die Haltbarkeit von Lebensmitteln ist auf dem Etikett der Lebensmittelverpackung angegeben.
- Es ist wichtig, die Lebensmittel so zu verpacken, dass kein Wasser, Feuchtigkeit oder Kondenswasser ins Innere gelangt.

## 6.4 Einkaufstipps

Nach dem Lebensmitteleinkauf:

- Achten Sie darauf, dass die Verpackung nicht beschädigt ist - die Lebensmittel könnten verdorben sein. Wenn die Verpackung aufgequollen oder nass ist, wurde das Lebensmittel möglicherweise nicht unter den optimalen Bedingungen gelagert und das Auftauen hat eventuell bereits begonnen.
- Um den Auftauprozess zu minimieren, kaufen Sie Tiefkühlware am Ende Ihres Einkaufs und transportieren Sie diese in einer Isoliertasche.
- Legen Sie die tiefgefrorenen Lebensmittel sofort nach der Rückkehr aus dem Laden in das Gefriergerät.
- Wenn Lebensmittel auch nur teilweise aufgetaut sind, dürfen sie nicht wieder eingefroren werden. Verzehren Sie sie schnell wie möglich.
- Beachten Sie das Haltbarkeitsdatum und die Lagerinformationen auf der Verpackung.

## 6.3 Hinweise zur Lagerung von Tiefkühlgerichten

- Das Gefrierfach ist mit  gekennzeichnet.

## 6.5 Lagerdauer im Gefrierfach

Lebensmittel	Lagerdauer (Monate)
Brot	3
Früchte (außer Zitrusfrüchten)	6 - 12
Gemüse	8 - 10
Reste ohne Fleisch	1 - 2
<b>Molkereiprodukte:</b>	
Butter	6 - 9
Weichkäse (z. B. Mozzarella)	3 - 4
Hartkäse (z. B. Parmesan, Cheddar)	6
<b>Meeresfrüchte:</b>	
Fetthaltiger Fisch (z. B. Lachs, Makrele)	2 - 3
Fettarmer Fisch (z. B. Dorsch, Flunder)	4 - 6
Shrimps	12
Muscheln und Miesmuscheln ohne Schale	3 - 4
Gekochter Fisch	1 - 2
<b>Fleisch:</b>	
Geflügel	9 - 12
Rindfleisch	6 - 12
Schweinefleisch	4 - 6
Lamm	6 - 9
Wurst	1 - 2
Schinken	1 - 2
Reste mit Fleisch	2 - 3


## 6.6 Hinweise für die Kühlung frischer Lebensmittel

- Eine gute Temperatureinstellung, die die Konservierung von frischen Lebensmitteln sicherstellt, ist eine Temperatur von weniger oder gleich +4 °C.  
Eine höhere Temperatureinstellung im Gerät kann die Haltbarkeit der Lebensmittel verkürzen.
- Decken Sie die Lebensmittel mit Verpackungsmaterial ab, um ihre Frische und ihr Aroma zu bewahren.
- Verwenden Sie immer geschlossene Behälter für Flüssigkeiten und Lebensmittel, um Düfte oder Gerüche im Fach zu vermeiden.
- Um eine Kreuzkontamination zwischen gekochten und rohen Lebensmitteln zu vermeiden, decken

Sie die gekochten Lebensmittel ab und trennen Sie sie von den rohen.

- Es wird empfohlen Lebensmittel im Kühlschrank aufzutauen.
- Stellen Sie keine warmen Lebensmittel in das Gerät. Vergewissern Sie sich, dass sie auf Raumtemperatur abgekühlt sind, bevor Sie sie einlegen.
- Um eine Verschwendung von Lebensmitteln zu vermeiden, sollten die neuen Lebensmittel immer hinter die alten gelegt werden.

## 6.7 Hinweise für die Kühlung von Lebensmitteln

- Das Fach für frische Lebensmittel ist (auf dem Typenschild) mit  gekennzeichnet.



- Fleisch (alle Sorten): Wickeln Sie Fleisch in geeignetes Verpackungsmaterial ein und legen Sie es auf die Glasablage über der Gemüseschublade. Bewahren Sie Fleisch höchstens 1 - 2 Tage auf.
- Obst und Gemüse: Gründlich reinigen (Erde entfernen) und in das spezielle Fach (Obst- und Gemüsefach) legen.
- Es wird empfohlen, exotische Früchte wie Bananen, Mangos, Papayas usw. nicht im Kühlschrank aufzubewahren.
- Gemüse wie Tomaten, Kartoffeln, Zwiebeln und Knoblauch sollten nicht im Kühlschrank aufbewahrt werden.
- Butter und Käse: Diese sollten stets in einen luftdichten Behälter gelegt oder in Aluminiumfolie bzw. in Plastikbeutel eingepackt werden, um so wenig Luft wie möglich in der Verpackung zu belassen.
- Flaschen: Flaschen müssen mit verschlossenem Deckel in der Flaschenablage der Tür oder im Flaschenhalter (falls vorhanden) aufbewahrt werden.
- Es wird empfohlen für eine schnellere Kühlung der Produkte den Ventilator einzuschalten. Die Aktivierung von DYNAMICAIR ermöglicht eine bessere Homogenisierung der Innentemperaturen.
- Achten Sie auf das Haltbarkeitsdatum der Lebensmittel, damit Sie wissen, wie lange sie gelagert werden können.

## 7. REINIGUNG UND PFLEGE



**WARNUNG!**  
Siehe Kapitel  
Sicherheitshinweise.

### 7.1 Reinigen des Innenraums

Bevor Sie das Gerät in Betrieb nehmen, beseitigen Sie den typischen Neugeruch am besten durch Reinigen der Innenteile mit lauwarmem Wasser und einer neutralen Seife. Sorgfältig nachtrocknen.



**VORSICHT!**  
Verwenden Sie keine chemischen Reinigungsmittel, Scheuerpulver, chlor- oder ölhaltige Reinigungsmittel, da diese die Oberfläche beschädigen.



**VORSICHT!**  
Das Zubehör des Geräts und die Innenteile eignen sich nicht für die Reinigung im Geschirrspüler.

### 7.2 Regelmäßige Reinigung

Das gesamte Gerät muss regelmäßig gereinigt werden:

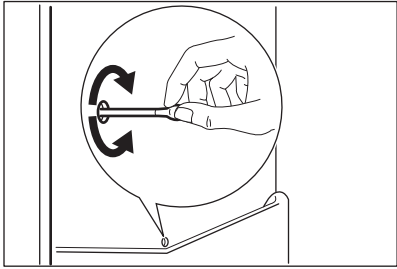
1. Reinigen Sie das Innere und die Zubehörteile mit lauwarmem Wasser und etwas Neutralseife.
2. Prüfen und säubern Sie die Türdichtungen in regelmäßigen Abständen, um zu gewährleisten, dass diese sauber und frei von Fremdkörpern sind.
3. Spülen und trocknen Sie diese sorgfältig ab.

### 7.3 Abtauen des Kühlschranks

Bei normalem Betrieb wird Reif automatisch aus dem Verdampfer des Kühlschranks entfernt. Das Tauwasser sammelt sich in einer Auffangrinne und läuft durch eine Abflussöffnung in einen speziellen Behälter an der Rückseite des Geräts über dem Kompressor, wo es verdampft.

Eine regelmäßige Reinigung des Abtauwasser-Ablauflochs in der Mitte des Kühlfachkanals ist wichtig, um zu verhindern, dass das Wasser überläuft und auf die eingelagerten Lebensmittel tropft.

Benutzen Sie hierfür den Rohrreiner, der mit dem Gerät geliefert wird.



## 7.4 Abtauen des Gefriergeräts

Das Gefrierfach ist ein NoFrost-Fach. Das bedeutet, dass sich während des Betriebs weder an den Innenwänden noch an Lebensmitteln Reif bildet.

## 7.5 Stillstandszeiten

Bei längerem Stillstand des Geräts müssen Sie folgende Vorkehrungen treffen:

1. Trennen Sie das Gerät von der Spannungsversorgung.
2. Entnehmen Sie alle Lebensmittel.
3. Reinigen Sie das Gerät und alle Zubehörteile.
4. Lassen Sie die Türen offen, um das Entstehen unangenehmer Gerüche zu vermeiden.

# 8. FEHLERSUCHE



### WARNUNG!




Siehe Kapitel Sicherheitshinweise.

## 8.1 Was zu tun ist, wenn ...

Problem	Mögliche Ursache	Lösung
Das Gerät funktioniert nicht.	Das Gerät ist ausgeschaltet.	Schalten Sie das Gerät ein.
	Der Netzstecker ist nicht richtig in die Netzsteckdose eingesteckt.	Stecken Sie den Netzstecker richtig in die Netzsteckdose.
	Die Netzsteckdose hat keine Netzspannung.	Schließen Sie ein anderes Elektrogerät an der Netzsteckdose an. Wenden Sie sich an einen qualifizierten Elektriker.
Das Gerät ist laut.	Das Gerät ist nicht ordnungsgemäß abgestützt.	Prüfen Sie, ob sich das Gerät in einer stabilen Position befindet.
Es wird ein akustisches oder optisches Alarmsignal ausgelöst.	Das Gerät wurde vor kurzem eingeschaltet.	Siehe „Alarm: Tür offen“ oder „Alarm: Hochtemperatur“.
	Die Temperatur im Gerät ist zu hoch.	Siehe „Alarm: Tür offen“ oder „Alarm: Hochtemperatur“.
	Die Tür ist offen.	Schließen Sie die Tür.

<b>Problem</b>	<b>Mögliche Ursache</b>	<b>Lösung</b>
Der Kompressor arbeitet ständig.	Die Temperatur ist falsch eingestellt.	Siehe Kapitel „Bedienfeld“.
	Es wurden viele Lebensmittel gleichzeitig hineingelegt.	Warten Sie einige Stunden und prüfen Sie erneut die Temperatur.
	Die Raumtemperatur ist zu hoch.	Siehe Kapitel „Montage“.
	Die Lebensmittel, die im Gerät aufbewahrt werden, waren zu warm.	Lassen Sie die Lebensmittel vor deren Aufbewahrung auf Raumtemperatur abkühlen.
	Die Tür ist nicht richtig geschlossen.	Siehe Abschnitt „Schließen der Tür“.
	Die Funktion FastFreeze ist eingeschaltet.	Siehe Abschnitt „Funktion FastFreeze“.
	Die Funktion FastCool ist eingeschaltet.	Siehe Abschnitt „Funktion FastCool“.
Der Kompressor schaltet sich nicht sofort ein, nachdem Sie „FastFreeze“ oder „FastCool“ gedrückt oder die Temperatur auf einen anderen Wert eingestellt haben.	Der Kompressor startet nach einer gewissen Zeit.	Das ist normal; es ist kein Fehler aufgetreten.
Die Tür ist falsch ausgerichtet oder beeinträchtigt das Lüftungsgitter.	Das Gerät ist nicht ausgerichtet.	Siehe Montageanleitung.
Die Tür lässt sich nicht leicht öffnen.	Sie haben versucht, die Tür unmittelbar nach dem Schließen erneut zu öffnen.	Warten Sie einige Sekunden zwischen dem Schließen und erneutem Öffnen der Tür.
Die Lampe funktioniert nicht.	Die Lampe ist im Standby-Modus.	Schließen Sie die Tür und öffnen Sie die Tür wieder.
	Die Lampe ist defekt.	Wenden Sie sich an das nächste autorisierte Servicezentrum.
Zu viel Frost und Eis.	Die Tür ist nicht richtig geschlossen.	Siehe Abschnitt „Schließen der Tür“.
	Die Dichtung ist verzogen oder verschmutzt.	Siehe Abschnitt „Schließen der Tür“.
	Die Lebensmittel sind nicht richtig verpackt.	Verpacken Sie die Lebensmittel besser.

<b>Problem</b>	<b>Mögliche Ursache</b>	<b>Lösung</b>
	Die Temperatur ist falsch eingestellt.	Siehe Kapitel „Bedienfeld“.
	Das Gerät ist voll mit Lebensmitteln und auf die niedrigste Temperatur eingestellt.	Stellen Sie eine höhere Temperatur ein. Siehe Kapitel „Bedienfeld“.
	Die Temperatur im Gerät ist zu niedrig und die Umgebungstemperatur ist zu hoch.	Stellen Sie eine höhere Temperatur ein. Siehe Kapitel „Bedienfeld“.
Wasser fließt an der Rückwand des Kühlschranks herunter.	Während des automatischen Abtauprozesses taut das Eis an der Rückwand ab.	Das ist richtig.
An der Rückwand des Kühlschranks befindet sich zu viel Kondenswasser.	Die Tür wurde zu häufig geöffnet.	Öffnen Sie die Tür nur bei Bedarf.
	Die Tür wurde nicht vollständig geschlossen.	Achten Sie darauf, dass die Tür vollständig geschlossen ist.
	Die aufbewahrten Lebensmittel waren nicht verpackt.	Packen Sie die Lebensmittel richtig ein, bevor Sie diese in das Gerät legen.
Wasser fließt auf den Boden.	Der Tauwasserablauf ist nicht an die Verdampfungsschale über dem Kompressor angeschlossen.	Bringen Sie den Tauwasserablauf an der Verdampfungsschale an.
Die Temperatur kann nicht eingestellt werden.	Die „Funktion FastFreeze“, oder die „Funktion FastCool“ ist eingeschaltet.	Schalten Sie die „Funktion FastFreeze“ oder die „Funktion FastCool“ manuell aus, oder warten Sie mit dem Einstellen der Temperatur, bis die Funktion automatisch ausgeschaltet wird. Siehe Abschnitt „Funktion FastFreeze“ oder „Funktion FastCool“.
Die Temperatur im Gerät ist zu niedrig/zu hoch.	Die Temperatur ist nicht richtig eingestellt.	Stellen Sie eine höhere/niedrigere Temperatur ein.
	Die Tür ist nicht richtig geschlossen.	Siehe Abschnitt „Schließen der Tür“.

Problem	Mögliche Ursache	Lösung
	Die Temperatur der Lebensmittel ist zu hoch.	Lassen Sie die Lebensmittel auf Raumtemperatur abkühlen, bevor Sie diese in das Kühlgerät legen.
	Viele Lebensmittel werden gleichzeitig in das Kühlgerät gelegt.	Legen Sie weniger Lebensmittel gleichzeitig in das Kühlgerät.
	Die Tür wurde zu oft geöffnet.	Öffnen Sie die Tür nur bei Bedarf.
	Die Funktion FastFreeze ist eingeschaltet.	Siehe Abschnitt „Funktion FastFreeze“.
	Die Funktion FastCool ist eingeschaltet.	Siehe Abschnitt „Funktion FastCool“.
	Im Gerät herrscht keine Kaltluftzirkulation.	Stellen Sie sicher, dass die Kaltluft im Gerät zirkulieren kann. Siehe Kapitel „Tipps und Hinweise“.
DEMO erscheint auf dem Display.	Das Gerät befindet sich im Demo-Modus.	Halten Sie Taste OK etwa 10 Sekunden gedrückt, bis ein langer Signalton ertönt und das Display für kurze Zeit ausgeschaltet wird.
In der Temperaturanzeige ist das Symbol  ,  oder  anstatt der Zahlen zu sehen.	Problem mit dem Temperatursensor.	Wenden Sie sich an das nächste autorisierte Servicezentrum. (Das Kühlsystem hält zwar die Lebensmittel weiterhin kalt, doch die Temperatureinstellung ist nicht mehr möglich).



Wenn die Ratschläge nicht zum gewünschten Ergebnis führen, wenden Sie sich an das nächste autorisierte Servicezentrum.

## 8.2 Austauschen der Lampe

Das Gerät ist mit einer langlebigen LED-Innenbeleuchtung ausgestattet.

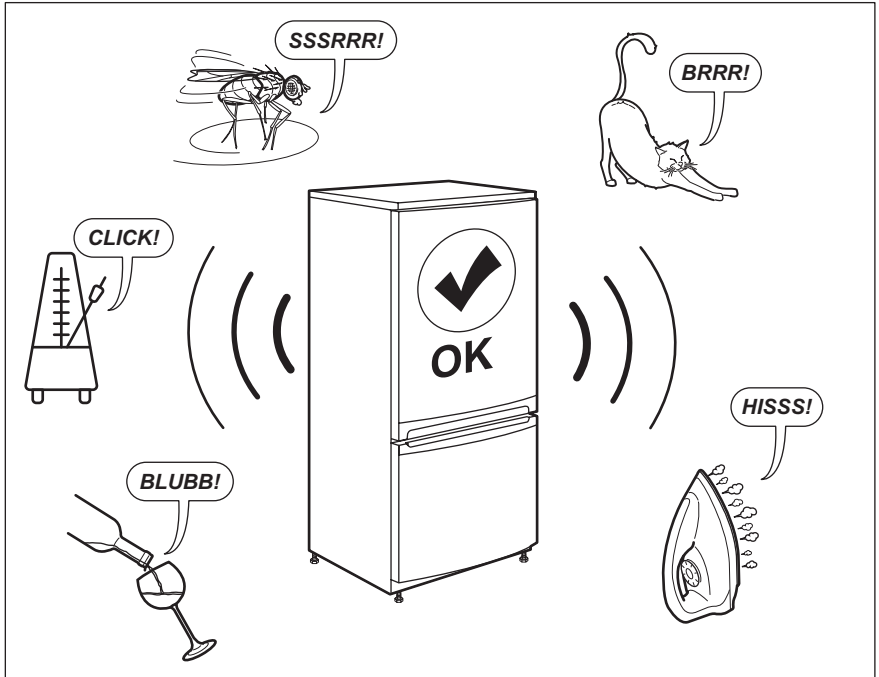
Die Beleuchtung darf nur von einer Fachkraft ausgetauscht werden. Wenden

Sie sich an Ihren autorisierten Kundendienst.

## 8.3 Schließen der Tür

1. Reinigen Sie die Türdichtungen.
2. Stellen Sie die Tür nach Bedarf ein. Siehe Montageanleitung.
3. Ersetzen Sie die defekten Türdichtungen, falls erforderlich. Wenden Sie sich an einen autorisierten Kundendienst.

## 9. GERÄUSCHE



## 10. TECHNISCHE DATEN

Die technischen Daten befinden sich auf dem Typenschild innen im Gerät sowie auf der Energieplakette.

Spannung	Frequenz
220~240 V	50 Hz

## 11. INFORMATIONEN FÜR PRÜFINSTITUTE


Die Installation und die Vorbereitung des Geräts für eine eventuelle EcoDesign-Prüfung müssen mit EN 62552 übereinstimmen. Die Anforderungen an die Belüftung, die Abmessungen der Aussparungen und die Mindestabstände

auf der Rückseite müssen den Angaben in diesem Benutzerhandbuch in Kapitel 3 entsprechen. Für weitere Informationen, einschließlich der Beladungspläne, wenden Sie sich bitte an den Hersteller.

## 12. GARANTIE

### Kundendienst

Servicestellen		
Industriestrasse 10 5506 Mägenwil	Le Trési 6 1028 Préverenges	Via Violino 11 6928 Manno

Servicestellen	
Morgenstrasse 131 3018 Bern	
Langgasse 10 9008 St. Gallen	
Am Mattenhof 4a/b 6010 Kriens	
Schlossstrasse 1 4133 Pratteln	
Comercialstrasse 19 7000 Chur	



**Ersatzteilverkauf** Industriestrasse 10,  
5506 Mägenwil, Tel. 0848 848 111

**Fachberatung/Verkauf** Badenerstrasse  
587, 8048 Zürich, Tel. 044 405 81 11

**Garantie** Für jedes Produkt gewähren wir ab Verkauf bzw. Lieferdatum an den Endverbraucher eine Garantie von 2 Jahren. (Ausweis durch Garantieschein, Faktura oder Verkaufsbeleg). Die Garantieleistung umfasst die Kosten für

Material, Arbeits- und Reisezeit. Die Garantieleistung entfällt bei Nichtbeachtung der Gebrauchsanweisung und Betriebsvorschriften, unsachgerechter Installation, sowie bei Beschädigung durch äussere Einflüsse, höhere Gewalt, Eingriffe Dritter und Verwendung von Nicht-Original Teilen.

## 13. UMWELTTIPPS

Recyceln Sie Materialien mit dem Symbol . Entsorgen Sie die Verpackung in den entsprechenden Recyclingbehältern. Recyceln Sie zum Umwelt- und Gesundheitsschutz elektrische und elektronische Geräte. Entsorgen Sie Geräte mit diesem Symbol  nicht mit dem Hausmüll. Bringen Sie das Gerät zu Ihrer örtlichen Sammelstelle oder wenden Sie sich an Ihr Gemeindeamt.



### Für die Schweiz:

Wohin mit den Altgeräten? Überall dort wo neue Geräte verkauft werden oder Abgabe bei den offiziellen SENS-Sammelstellen oder offiziellen SENS-Recyclern. Die Liste der offiziellen SENS-Sammelstellen findet sich unter [www.erecycling.ch](http://www.erecycling.ch)

[www.electrolux.com/shop](http://www.electrolux.com/shop)



211627648-A-452020





## Free Manuals Download Website

<http://myh66.com>

<http://usermanuals.us>

<http://www.somanuals.com>

<http://www.4manuals.cc>

<http://www.manual-lib.com>

<http://www.404manual.com>

<http://www.luxmanual.com>

<http://aubethermostatmanual.com>

Golf course search by state

<http://golfingnear.com>

Email search by domain

<http://emailbydomain.com>

Auto manuals search

<http://auto.somanuals.com>

TV manuals search

<http://tv.somanuals.com>