



KPS 25sc
Krell Playback System
with Krell CAST Technology

Instructions for Use

Owner's Reference

KPS 25sc
Krell Playback System
with Krell CAST
Technology

v 00.1

Krell Industries, Inc.
45 Connair Road
Orange, CT 06477-3650 USA

TEL 203-799-9954

FAX 203-891-2028

E-MAIL krell@krellonline.com

WEBSITE <http://www.krellonline.com>



This product complies with the EMC directive (89/336/EEC) and the low-voltage directive (73/23/EEC).

WARNINGS

The KPS 25sc must be placed on a firm, level surface where it is not exposed to dripping or splashing.

Do not remove or bypass the ground pin on the end of the AC power cord. This can cause radio frequency interference (RFI) to be introduced into your playback system. Operate the KPS 25sc only with the power cord supplied.

The ventilation grids on the top of the KPS 25sc must be unobstructed at all times during operation. Do not place flammable material on top of or beneath the component.


Turn off all systems' power before connecting the KPS 25sc to any component. Make sure all cable terminations are of the highest quality, free from frayed ends, short circuits, or cold solder joints.

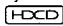
Connecting non-CAST components to CAST inputs or outputs can damage your equipment and void your warranty.

Do not attempt to change CAST cable terminations or CAST inputs or outputs to RCA or XLR connectors. It is electrically impossible to convert CAST input or output connections for balanced or single-ended voltage operation.

THERE ARE NO USER SERVICEABLE PARTS INSIDE ANY KRELL PRODUCT.

Please contact your authorized Krell dealer, distributor, or Krell if you have any questions not addressed in this reference manual.

 equipped

This product is manufactured in the United States of America. Krell® is a registered trademark of Krell Industries, Inc., and is restricted for use by Krell Industries, Inc., its subsidiaries, and authorized agents. Krell Playback System™ is a trademark of Krell Industries, Inc. Krell CAST is a patent pending of Krell Industries, Inc. Krell Link™ is a trademark of Krell Industries, Inc. , HDCCD®, High Definition Compatible Digital® and Pacific Microsonics™ are either registered trademarks or trademarks of Pacific Microsonics, Inc. in the United States and/or other countries. HDCCD system manufactured under license from Pacific Microsonics, Inc. This product is covered by one or more of the following: In the USA: 5,479,168, 5,638,074, 5,640,161, 5,808,574, 5,838,274, 5,854,600, 5,864,311, 5,872,531, and in Australia: 669114. Other patents pending. TosLink™ is a trademark of Toshiba Corporation. All other trademarks and tradenames are registered to their respective companies.

Contents

	Page
INTRODUCTION	1
DEFINITION OF TERMS	1
REVOLUTIONARY KRELL CAST TECHNOLOGY	3
UNPACKING	4
PLACEMENT	4
AC Power Guidelines	4
QUICK START	5
Factory Default Settings	5
Input and Output Connections	5
Power On	6
To Play a Compact Disc	6
To Play Another Input Source	6
INSTALLING THE ACRYLIC COVER	9
Attaching the Acrylic Cover	9
Connecting the Flex Foil Cable	10
Adjusting the Cover Closing Speed	10
FRONT PANEL DESCRIPTION	12
BACK PANEL DESCRIPTION	15
REMOTE CONTROL DESCRIPTION	18
Battery Installation and Removal	18
Tabletop Remote Control	18
CONNECTING THE KPS 25sc TO YOUR SYSTEM	22
Input and Output Connections	22
Power On	23
Factory Default Settings	23
KRELL LINK CONNECTIONS AND OPERATION	24
Connecting Components Through Krell Link	24
Krell Link Operation	24
TAPE INPUT AND OUTPUT	25

Contents, *continued*

	Page
OPERATING YOUR KPS 25sc	26
To Play a Compact Disc	26
How to Write a Program	26
How to Create an A/B Loop	27
To Play Another Input Source	27
CUSTOMIZING CONFIGURATIONS	27
Change the Cover Operation Mode	27
Change the Shutter Operation Mode	28
Configuring for Theater Throughput	28
Amplifier Control Options	29
Adjust Menu Display Brightness	30
Assign Custom Names to Inputs	30
Change an Input's Volume Trim	31
Change the Volume Control Sensitivity	31
Return All Settings to Factory Defaults	31
WARRANTY	32
RETURN AUTHORIZATION PROCEDURE	33
SPECIFICATIONS	Back Cover

Illustrations

	Page
FIGURE 1 Attaching the KPS 25sc Acrylic Cover	7
FIGURE 2 Connecting the KPS 25sc Flex Foil Cable	8
FIGURE 3 The KPS 25sc Front Panel	11
FIGURE 4 The KPS 25sc Back Panel	14
FIGURE 5 The KPS 25sc Tabletop and Handheld Remote Controls	17

Introduction

Thank you for your purchase of the KPS 25sc Krell Playback System. The integrated design of the KPS 25sc incorporates a compact disc transport, a digital-to-analog processor, and a high resolution preamplifier in one stand alone unit. The compact disc transport design provides high position accuracy and eliminates servo bounce and vibration. An acrylic cover protects the integrity of the compact disc data. The analog preamplifier features exceptionally wide bandwidth with extremely low noise, and the digital-to-analog converter makes the KPS 25sc compatible with nearly every digital audio source. Menu features allow customizing of cover operation and color, menu display brightness, input naming, and volume controls for optimum functioning and ease of use.

The KPS 25sc provides a variety of main outputs: Krell CAST variable, balanced and single-ended variable, and balanced and single-ended fixed level for connecting to a second system.

The KPS 25sc can be connected to multi-room switchers that operate whole-house music systems. The Theater Throughput feature simplifies integration of an audio/video surround sound processor with the KPS 25sc. Two remote control units—a full-function tabletop remote with direct access capability, and a simplified hand-held remote—provide complete and convenient remote control operation.

This owner's reference manual contains important information on placement, installation, and operation of the KPS 25sc. Please read this information carefully. A thorough understanding of these details will help ensure satisfactory operation and long life for your KPS 25sc and related system components.

Definition of Terms

Following are the definitions of key terms used in your owner's reference manual.

CONFIGURATIONS

Krell Link

A method of synchronizing remote control operation for Krell systems that include multiple preamplifiers, amplifiers, and associated components. When Krell Link in/out connections are used, the remote capabilities of the linked components are controlled from one component, called the control component. The linked components respond to stand-by and operational mode commands from the control component via MIDI cables.

Theater Throughput

Theater Throughput is a Krell configuration option that allows the signal from a surround preamp/processor to pass through a Krell preamplifier or integrated amplifier with no gain, for integrated volume and balance management of Krell home theater systems.

INPUT AND OUTPUT CONNECTIONS

Balanced

A symmetrical input or output circuit that has equal impedance from both input terminals to a common ground reference point. The industry standard for professional and sound recording installations, balanced connections have 6 dB more gain than single-ended connections and allow the use of long interconnect cables. Balanced connections are completely immune to induced noise from the system or the environment.

Definition of Terms, *continued*

Krell Current Audio Signal Transmission (CAST)

A proprietary Krell circuit technology for connecting analog components, in which the audio waveform is transmitted between components in the current rather than voltage domain. The speed and bandwidth provided by Krell CAST yields accurate, realistic music reproduction. Krell components connected via CAST perform as if they are all part of a single circuit.

Single-ended

A two-wire input or output circuit. Use care when using single-ended connections as the ground connection is made last and broken first. Turn the system off prior to making or breaking single-ended connections. Single-ended connections are not recommended for connections requiring long cable runs.

OPERATION

Off

When the power button on the front panel is pressed and the blue power LED turns off, the component is off.

Operational Mode

When the power button on the front panel is pressed and the blue power LED illuminates, the component is in the operational mode and ready to play music.

Stand-by Mode

A low power consumption status that keeps the audio and regulator circuits at idle. Krell recommends leaving the component in the stand-by mode when it is not playing music.

TECHNOLOGY

Krell Current Mode

A proprietary Krell circuit topology in which the audio gain stages of a component operate in the current rather than voltage domain. This unique technology provides the component with exceptional speed and a wide bandwidth.

Krell HEAT

The Krell term HEAT, or High End Audio Theater, is a design application incorporated into Krell components to enhance multi-channel home entertainment systems. A Krell HEAT system is an integrated home theater system consisting of a state-of-the-art Krell pre-amp processor and matching amplifiers that reproduce two channel and multi-channel sources with audiophile sound quality, placing the audience in the middle of a lifelike environment.

Revolutionary Krell CAST Technology

Current Audio Signal Transmission, termed CAST, is a revolutionary method of connecting analog audio components for unparalleled sonic performance. Innovative engineering combines the new Krell CAST circuitry with existing Krell Current Mode technology to create entire CAST systems that reproduce music with incredible range, tonality, and precision.

Voltage Signal Transmission and the Traditional Audio System

Traditionally, signal is transmitted in the voltage domain between two components. In an audio system, each component is a discrete entity with unique characteristics that act upon the musical signal independently. Each component is unaware of the other components in the system. The cables that connect the components each have their own electrical characteristics, which affect the sonic presentation of the entire system.

CAST: A New Approach

CAST circuitry recognizes signal transmitted in the current domain instead of the voltage domain between each component. CAST transmission unifies the individual components and their interconnects into an electrically linked whole. The sonic presentation of the entire system remains intact.

CAST Basics

Here's how a CAST audio system works. Internally, each CAST source transfers, or amplifies, current using Krell Current Mode circuitry. This current signal is then output using CAST circuitry. When the signal is received by a CAST input, Krell Current Mode circuitry again takes over until the signal reaches the loudspeaker. By maintaining the musical signal in the current domain from beginning to end, an entire CAST system behaves as if it is one component. With CAST, anomalies of signal transmis-

sion between components are eliminated. Cable impedances and their effects on the transmitted signal are non-existent.

How CAST and Krell Current Mode Interact

While CAST is a new method of transferring the musical signal between components, its origin stems from Krell Current Mode, the technology developed to transfer the musical signal within a component. CAST combined with Krell Current Mode takes circuitry signal transmission to the next evolutionary level. In essence, Krell Current Mode maintains the integrity of the signal within the component and CAST preserves the transmitted signal between components. Together, CAST and Krell Current Mode technologies unify separate Krell components into a *single global circuit*.

CAST Cable Construction

A CAST system uses cables manufactured by Krell and other manufacturers specially licensed by Krell. Thin and flexible CAST cables are constructed with the same build quality as other Krell products and are aesthetically matched to the components that Krell manufactures. An all-metal body and locking connectors with gold contacts are part of the standard no-compromise specification developed for every CAST cable made.

The Best Musical Performance

When you operate a CAST system, you will hear significant improvements in every performance area: speed, precision, dynamic range, depth and width of the sound stage, transient impact, tonal balance, harmonic distortion, and more. The goal for CAST is the same company goal used for all Krell products. Krell strives for the delivery of the best performance of a musical event for you, using the full expression of technology to date.

Unpacking

1. Open the shipping box and remove the top layer of foam. You see these items:
 - 1 KPS 25sc
 - 1 acrylic cover in velvet pouch
 - 1 KPS 25sc tabletop remote control
 - 1 KPS 25sc handheld remote control
 - 2 packages of AAA-size 1.5 Volt batteries (4 for tabletop remote control, 2 for handheld remote control)
 - 1 compact disc clamp
 - 1 IEC connector (AC Power) cord
 - 1 12 VDC (12 V trigger) cable
 - 1 T-10 Torx wrench (for remote control battery installation and removal)
 - 1 cleaning kit for the acrylic cover
 - 1 packet containing the owner's reference manual and the warranty registration card
2. Carefully remove the unit and accessories from the shipping box. Remove the foam end caps and protective plastic wrap from the KPS 25sc.

Notes

If any of these items are not included in the shipping box, please contact your authorized Krell dealer, distributor, or Krell for assistance.

*Save all packing materials. If you ship your KPS 25sc in the future, repack the unit in its original packaging to prevent transit damage. See **Return Authorization Procedure**, on page 33, for more information.*

Placement

Before you install the KPS 25sc into your system, review the following guidelines to properly place your component. This will facilitate a clean, trouble-free installation. The KPS 25sc does not require a special rack or cabinet for installation. For the dimensions of the KPS 25sc, see **Specifications**, on the back cover.

The KPS 25sc requires at least two inches (5 cm) of clearance on each side to provide for adequate ventilation and at least 20 inches (50 cm) of clearance above the component to allow for the operation of the acrylic cover. Installations inside cabinetry may need extra ventilation.

Note

The KPS 25sc incorporates an advanced suspension system and does not require additional mass coupling or isolation. You may experiment with feet or cones as long as they are not permanently affixed to the unit. Any unauthorized modifications to the unit or electronics will void the warranty.

IMPORTANT

Do not attach enhancement accessories such as rings, mats, or dampers to individual compact discs. These accessories may interfere with the compact disc transport, resulting in erratic playback and/or poor sound.

AC POWER GUIDELINES

The KPS 25sc has superb regulation and does not require a dedicated AC circuit. Avoid connections through extension cords or multiple AC adapters. High quality 15 amp grounded AC strips are acceptable. High quality AC line conditioners or filters can be used if they are grounded and meet or exceed the unit's power supply rating of 100 VA.

Quick Start

To access the full array of available features for the KPS 25sc, please read the entire KPS 25sc owner's reference manual. The abbreviated procedures in this Quick Start section will allow you to set up your KPS 25sc system quickly and enjoy its basic features before you read the entire manual. The following paragraphs outline quick start procedures. For additional information see *Connecting the KPS 25sc to Your System*, on page 22.

FACTORY DEFAULT SETTINGS

The KPS 25sc is shipped with these default settings:

The cover operation mode is set for auto. The cover must be down for compact disc playback to begin.

The shutter operation mode is shipped set for auto. The cover automatically becomes opaque when you play a compact disc and becomes clear when playback stops.

All variable and fixed outputs are active.

IMPORTANT

*You must install the acrylic cover before you use your KPS 25sc. See **Installing the Acrylic Cover**, on page 9.*

INPUT AND OUTPUT CONNECTIONS

See Figure 3 on page 11 and Figure 4 on page 14. Numbers in parentheses refer to figure labels.

IMPORTANT

Connecting non-CAST components to CAST inputs or outputs can damage your equipment and void your warranty.

Do not attempt to change CAST cable terminations or CAST inputs or outputs to RCA or XLR connectors. It is electrically impossible to convert CAST input or output connections for balanced or single-ended voltage operation.

*Please read the **Warranty**, on page 32, to understand the warranty limitations of the KPS 25sc.*

1. Make sure all power sources and components are off before connecting inputs and outputs.
2. Neatly organize wiring between the KPS 25sc and the preamplifier and amplifier, and between all other components. Separate AC wires from audio cables to prevent hum and other unwanted noises from being introduced into the system.
3. Connect the Krell CAST cables from the left and right Krell CAST 4-pin outputs (42) on the KPS 25sc back panel to your CAST-enabled preamplifier or amplifier.

For balanced or single-ended operation, connect the interconnect cables from either the left and right fixed balanced (38), variable balanced (39), fixed single-ended (40), or variable single-ended (41) outputs on the KPS 25sc back panel to the balanced or single-ended inputs on your preamplifier or amplifier. (The remaining outputs can be connected to another preamplifier or amplifier in a different system).

IMPORTANT

Use variable output terminals when the KPS 25sc is connected directly to a Krell stereo power amplifier or to a pair of Krell monaural power amplifiers that do not have gain control. Using fixed outputs can damage power amplifiers and loudspeakers.

Quick Start, *continued*

INPUT AND OUTPUT CONNECTIONS, *continued*

4. Connect the cables from your source equipment to the appropriate balanced (31), tape (32) or single-ended (34, 35, 36) analog inputs on the KPS 25sc back panel.
5. Connect the cables from your digital audio or video source to the optics input (46) or coaxial digital input (47) on the KPS 25sc back panel.
6. Connect the cables from the optics output (43) or coaxial digital output (44) on the KPS 25sc back panel to send signals to a digital recording device, external digital/analog processor, or video source.
7. Connect the KPS 25sc to AC power: plug the AC power into the IEC connector (50) on the back panel, then plug and AC power cord into the wall socket.

IMPORTANT

When switching between active sources, always lower the volume to off or mute the output. This ensures that the next source played does not damage your system with a high output transient.

POWER ON

Power the KPS 25sc on using the back panel power switch (48). The word **KRELL** momentarily appears in the menu display (26). This shows the KPS 25sc is initialized and ready for operation.

The KPS 25sc is now in the stand-by mode. The red stand-by LED (12) illuminates.

TO PLAY A COMPACT DISC

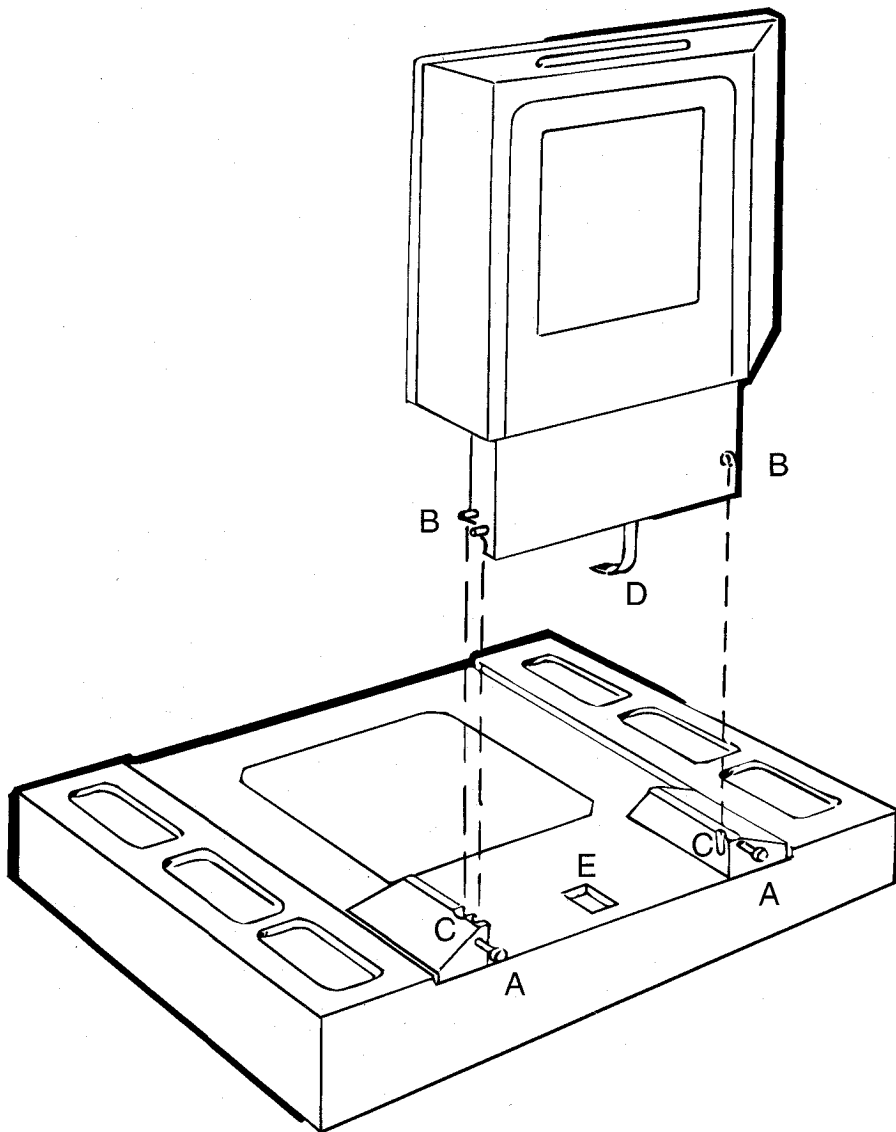
1. After the KPS 25sc is initialized and in the stand-by mode, use the power button (12) or key to switch the component to the opera-

2. Gently raise the acrylic cover until it is upright (approx. 90° angle).
3. Remove the Krell compact disc clamp and place your compact disc on the transport.
4. Secure the compact disc with the compact disc clamp (you must use this clamp since it is part of the disc sensing mechanism).
5. Gently pull the acrylic cover forward until you feel the damper mechanism resist slightly. The damper mechanism is now engaged and will automatically finish closing the cover. Do not force the cover to close faster than the damping mechanism allows.
6. Press the play button (4) or key to begin compact disc playback (playback will not begin unless cover is closed). The acrylic cover will also turn opaque to protect compact disc data.
7. Use the level knob (25) or keys to adjust the volume to the desired level.
8. Press the stop button (3) or key to end compact disc playback.

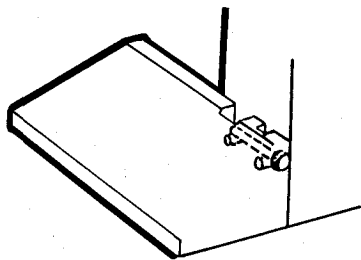
TO PLAY ANOTHER INPUT SOURCE

1. After the KPS 25sc is initialized and in the stand-by mode, use the power button (12) or key to switch the KPS 25sc to the operational mode. The blue power LED (13) illuminates.
2. Select the digital or analog input source using the front panel button (14-19) or key. The red LED above the source illuminates and the source name appears in the menu display (26).
3. Follow the input source operating directions.

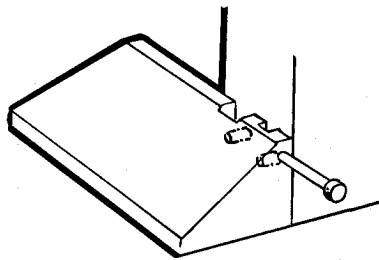
FIGURE 1 ATTACHING THE KPS 25sc ACRYLIC COVER



- A Push-pull pins
- B Acrylic cover pins
- C Notches
- D Flex foil cable
- E Flex foil receptacle

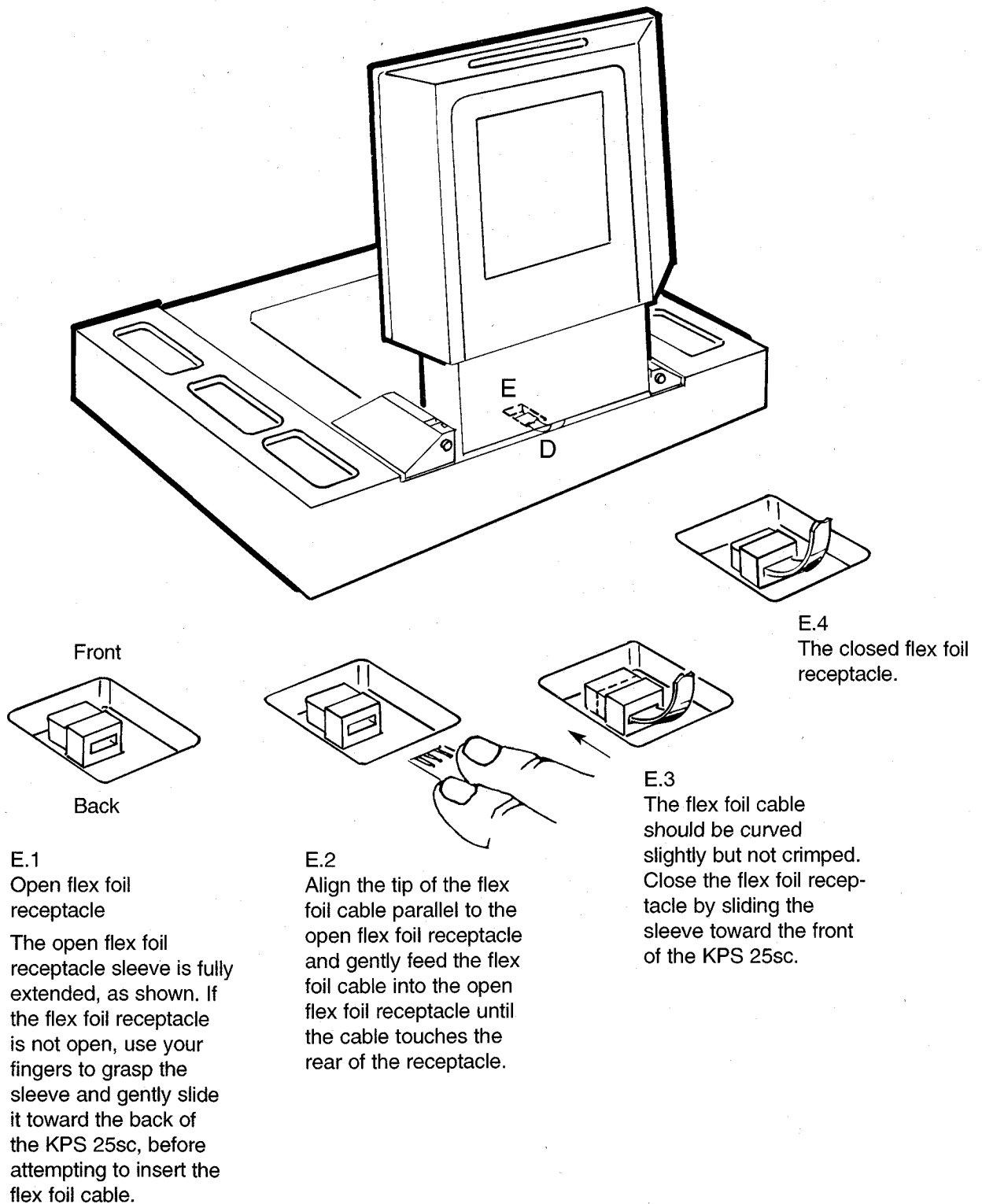


A.1
Push-pull pins fully closed
 Pins are shipped fully closed and must be returned to this position for the acrylic cover to operate properly.



A.2
Push-pull pins fully extended
(Pin position is exaggerated for illustration purposes)
 Pins are fully extended only during acrylic cover installation. Do not try to close the acrylic cover with the push-pull pins extended.

FIGURE 2 CONNECTING THE KPS 25sc FLEX FOIL CABLE



Installing the Acrylic Cover

See Figure 1 on page 7 and Figure 2 on page 8

The KPS 25sc is equipped with an acrylic cover that protects the integrity of compact disc data. The user can customize the cover's operation and closing speed. See **Customizing Configurations**, on page 27.

IMPORTANT—USER PRECAUTION

Please read the following USER PRECAUTION before attempting to install the acrylic cover.

The KPS 25sc acrylic cover is mechanically damped to ensure smooth operation while closing. If you force the cover to close, you will damage the cover and the damping assembly. During operation, please do not force the cover to close faster than the damping mechanism allows.

ATTACHING THE ACRYLIC COVER

To attach the acrylic cover, follow the steps described below and further illustrated in Figure 1 on page 7.

IMPORTANT

Attach the acrylic cover before connecting the flex foil cable.

1. Carefully remove the acrylic cover from the velvet pouch and place the cover on a soft surface.
2. Locate the two push-pull pins (A) just above the KPS 25sc back panel. These pins are shipped in the fully closed position (see detail A.1). Pull the pins out until they are fully extended, as shown in detail A.2.

3. Locate the pins (B) at the base of the acrylic cover and the notches (C) on top of the KPS 25sc, above the push-pull pins (A).
4. With the acrylic cover perpendicular to the KPS 25sc, align the acrylic cover pins (B) with the notches (C) in the top of the KPS 25sc.
5. Gently lower the acrylic cover into the notches (C), positioning the acrylic cover pins (B) in the notches (C) in the top of the KPS 25sc.

IMPORTANT

Make sure that the flex foil cable (D) attached to the cover is not pinched or crimped as you position and secure the acrylic cover.

6. Push the push-pull pins (A) back in to secure the cover. See detail A.1 for correct pin position.

IMPORTANT

The KPS 25sc is shipped from the factory with the cover push-pull pins fully closed. Push-pull pins are fully extended only during cover installation and must be closed when operating the acrylic cover.

Do not try to close the acrylic cover at this time. Connect the flex foil cable first.

*You can customize the acrylic cover to be clear or opaque, and to close at varying speeds. See **Adjusting the Cover Closing Speed**, on page 10, and **Customizing Configurations**, on page 27.*

Installing the Acrylic Cover, *continued*

CONNECTING THE FLEX FOIL CABLE

To connect the flex foil cable, follow the easy steps described below and illustrated in Figure 2 on page 8.

IMPORTANT

Do not crimp the flex foil cable, either manually or with pliers or other tools. Crimping will damage the flex foil cable and make it inoperable.

Use care when inserting the flex foil cable. Its edges can be sharp.

1. Locate the flex foil cable (D) attached to the acrylic cover and the flex foil receptacle (E) on top of the KPS 25sc. Make sure the flex foil receptacle is open (see detail E.1).
2. Using your fingers, carefully align the flex foil cable (D) so that its tip is parallel to the open flex foil receptacle. Again using your fingers, gently feed the flex foil cable (D) into the flex foil receptacle until the cable touches the rear of the receptacle (see detail E.2).

3. Close the flex foil receptacle by sliding the sleeve toward the front of the KPS 25sc (see detail E.3). There will be an audible click when the flex foil cable locks into the closed position (see detail E.4).
4. Recheck that the flex foil cable is curved but not crimped.

The acrylic cover is now ready for operation.

ADJUSTING THE COVER CLOSING SPEED

You can adjust the cover closing speed using the lid damper adjust screw (37) on the back panel. Adjustments can be made while the cover is up or down.

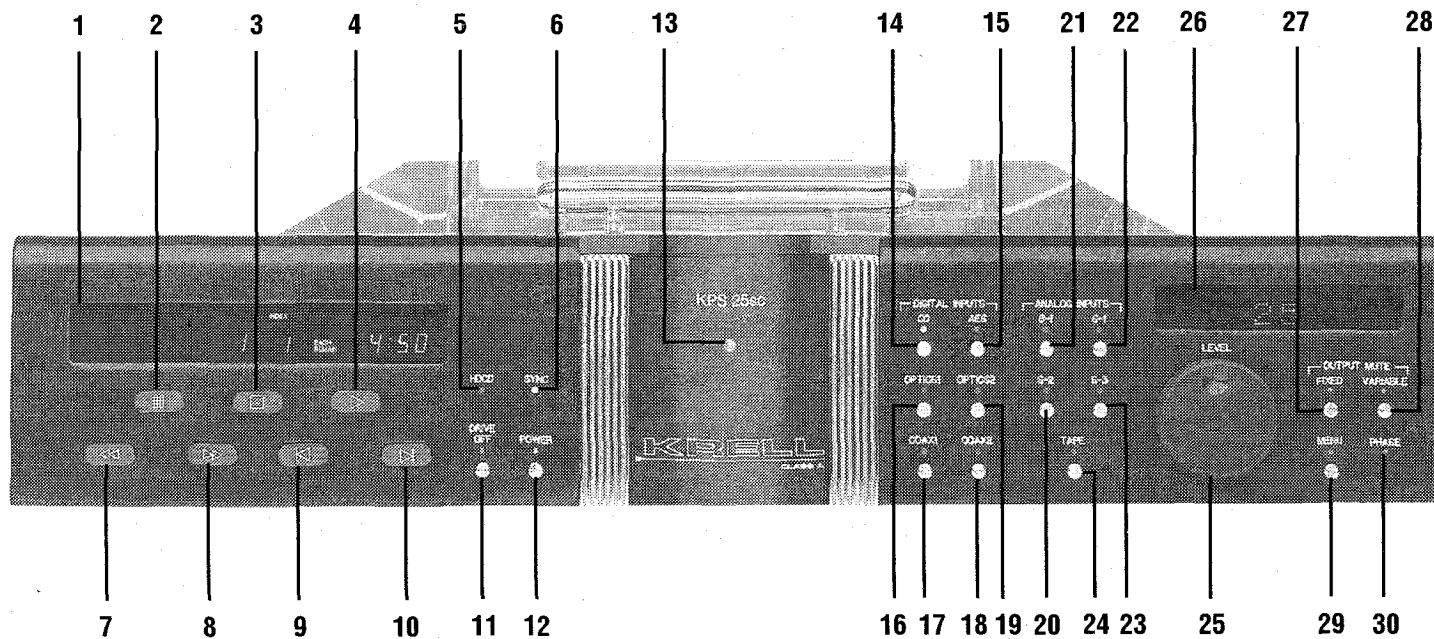
To decrease speed, turn the screw clockwise in 1/8 inch increments.

To increase speed, turn the screw counterclockwise in 1/8 inch increments.

IMPORTANT

The lid damper adjust screw is very sensitive. Always support the cover while adjusting the screw to keep the cover from closing too fast.

FIGURE 3 THE KPS 25sc FRONT PANEL



- Compact Disc Transport Functions**
- 1 Compact Disc Display
 - 2 Pause Button
 - 3 Stop Button
 - 4 Play Button
 - 5 HDCD® LED
 - 6 SYNC LED
 - 7 Search Back Button
 - 8 Search Forward Button
 - 9 Track Back Button
 - 10 Track Forward Button
 - 11 Drive Off Button
 - 12 Power Button and Stand-by LED
 - 13 Power LED

- Digital Inputs and LEDs**
- 14 CD Button
 - 15 AES Button
 - 16 Optics1 Button
 - 17 Optics2 Button
 - 18 Coax1 Button
 - 19 Coax2 Button
- Analog Inputs and LEDs**
- 20 B-1 Button
 - 21 S-1 Button
 - 22 S-2 Button
 - 23 S-3 Button
 - 24 Tape Button

- Volume Adjustment and Menu Functions**
- 25 Level Knob
 - 26 Menu Display
 - 27 Fixed Output Mute Button and LED
 - 28 Variable Output Mute Button and LED
 - 29 Menu Button and LED
 - 30 Phase LED

Front Panel Description

See Figure 3 on page 11

The front panel of the KPS 25sc accesses power on and off, compact disc functions, digital and analog input selections, volume and balance control, menu selection, and mute. The displays show the status of compact disc playback and volume, balance, and menu.

Compact Disc Transport Functions

1 Compact Disc Display

The compact disc transport display shows the track number of the compact disc that is playing as well as programming and other status information.

2 Pause Button

Use this button to temporarily suspend playback of the compact disc track. To resume playing the track at the point pause was engaged, press the play button (4).

3 Stop Button

Use this button to stop compact disc playback.

4 Play Button

Use this button to activate playback from the beginning of the compact disc, or to resume playback after pause. For more information, see *Operating Your KPS 25sc*, on page 26, and *Customizing Configurations*, on page 27.

5 HDCD® LED

The HDCD® LED illuminates when a High Definition Compatible Digital® disc is playing, indicating that HDCD® decoding is functioning.

6 SYNC LED

The SYNC LED illuminates when the KPS 25sc digital input selection has locked on to a valid signal from the internal transport or an external source component.

7 Search Back Button

Press and hold this button to scroll backward through the current track.

8 Search Forward Button

Press and hold this button to scroll forward through the current track.

9 Track Back Button

Use this button to select and begin playing the track that precedes the current track.

10 Track Forward Button

Use this button to select and begin playing the track that follows the current track.

11 Drive Off Button

Use this button to turn the compact disc transport on and off.

12 Power Button and Stand-by LED

Use this button to switch the KPS 25sc between the stand-by and the operational modes. The red power stand-by LED illuminates when the KPS 25sc is in the stand-by mode.

13 Power LED

The blue power LED illuminates when the KPS 25sc is in the operational mode. The blue power LED also flashes when any remote control key is pressed.

Front Panel, *continued*

See Figure 3 on page 11

Digital Inputs and LEDs

The KPS 25sc is equipped with the following digital inputs. The red LED above each button illuminates when that input is selected.

14 CD Button

Use this button to select the internal compact disc transport.

15 AES Button

Use this button to select the corresponding rear panel input that is connected to an AES digital source.

16 Optics1 Button

17 Optics2 Button

Use these buttons to select the corresponding rear panel input that is connected to an EIAJ fiber optic digital source.

18 Coax1 Button

19 Coax2 Button

Use these buttons to select the corresponding rear panel input that is connected to a S/PDIF coaxial source.

Analog Inputs and LEDs

The KPS 25sc is equipped with the following analog inputs. The red LED above each button illuminates when that input is selected.

20 B-1 Button

Use this button to select the corresponding rear panel input that is connected to a balanced analog source.

21 S-1 Button

22 S-2 Button

23 S-3 Button

Use these buttons to select the corresponding rear panel input that is connected to a single-ended analog source.

24 Tape Button

Use this button to select the corresponding rear panel input that is connected to a tape source. For instructions on using this function, see *Tape Input and Output*, on page 25.

Volume Adjustment and Menu Functions

25 Level Knob

Use this knob to increase or decrease system volume level. Volume level is shown in the menu display (26). The level control knob is also used, along with the menu control button (29), to select menu functions to customize KPS 25sc features. See *Customizing Configurations*, on page 27.

26 Menu Display

The menu display shows volume level, balance level, and menu function selection and status. See *Customizing Configurations*, on page 27.

27 Fixed Output Mute Button and LED

Use this button to mute the fixed output. The LED illuminates when the fixed output is muted.

28 Variable Output Mute Button and LED

Use this button to mute the variable output. The LED illuminates when the variable output is muted.

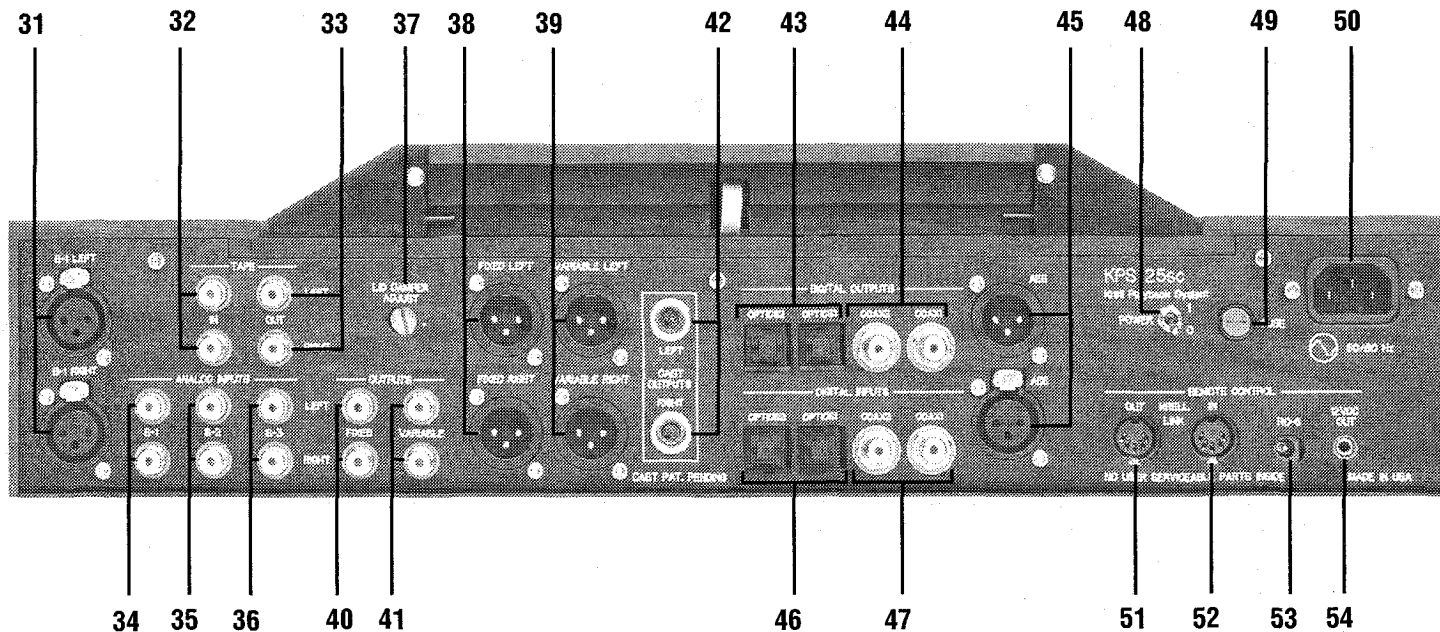
29 Menu Button and LED

Use the menu control button to access menu functions for customizing the KPS 25sc. The LED illuminates when the menu feature is activated. See *Customizing Configurations*, on page 27.

30 Phase LED

The absolute phase LED illuminates when the absolute polarity of the variable or CAST outputs is reversed.

FIGURE 4 THE KPS 25sc BACK PANEL



Analog Inputs and Outputs

- 31 B-1 Left and Right Inputs
- 32 Tape In Left and Right
- 33 Tape Out Left and Right
- 34 S-1 Left and Right Inputs
- 35 S-2 Left and Right Inputs
- 36 S-3 Left and Right Inputs

Acrylic Cover

- 37 Lid Damper Adjust

Fixed and Variable Balanced Outputs

- 38 Fixed Left and Right
- 39 Variable Left and Right

Fixed and Variable Single-Ended Outputs

- 40 Fixed Left and Right
- 41 Variable Left and Right

Krell CAST Outputs

- 42 Krell CAST Outputs Left and Right

Digital Inputs and Outputs

- 43 Optics1 and Optics2 Outputs
- 44 Coax1 and Coax2 Outputs
- 45 AES Output and Input
- 46 Optics1 and Optics2 Inputs
- 47 Coax1 and Coax2 Inputs

Power

- 48 Back Panel Power Switch
- 49 Line Fuse
- 50 IEC Connector

Back Panel Remote Connections

- 51 Krell Link Out
- 52 Krell Link In
- 53 RC-5
- 54 12 VDC Out

Back Panel Description

See Figure 4 on page 14

The KPS 25sc back panel provides connections for all inputs and outputs, power on/off, and additional remote connections.

Analog Inputs and Outputs

31 B-1 Left and Right Inputs

The KPS 25sc is equipped with one pair of balanced analog source inputs with XLR connectors.

32 Tape In Left and Right

The KPS 25sc is equipped with one pair of single-ended tape source inputs with RCA connectors.

33 Tape Out Left and Right

The KPS 25sc is equipped with one pair of single-ended tape source outputs with RCA connectors.

34 S-1 Left and Right Inputs

35 S-2 Left and Right Inputs

36 S-3 Left and Right Inputs

The KPS 25sc is equipped with three pairs of single-ended analog source inputs with RCA connectors.

Acrylic Cover

37 Lid Damper Adjust

Use this screw to adjust the speed at which the acrylic cover closes. See *Adjusting the Cover Closing Speed*, on page 10.

Fixed and Variable Balanced Outputs

38 Fixed Left and Right

The KPS 25sc is equipped with one pair of fixed level balanced outputs with XLR connectors.

39 Variable Left and Right

The KPS 25sc is equipped with one pair of variable level balanced outputs with XLR connectors.

IMPORTANT

When the KPS 25sc is connected directly to a Krell stereo power amplifier or a pair of Krell monaural power amplifiers that do not have gain control, use the variable output terminals to ensure proper volume level control. Using fixed outputs could damage power amplifiers and loudspeakers.

Fixed and Variable Single-Ended Outputs

40 Fixed Left and Right

The KPS 25sc is equipped with one pair of fixed level single-ended outputs with RCA connectors.

41 Variable Left and Right

The KPS 25sc is equipped with one set of variable level single-ended outputs with RCA connectors.

Krell CAST Outputs

42 Krell CAST Outputs Left and Right

The KPS 25sc is equipped with one set of variable level outputs, with 4-pin bayonet connectors, for use with Krell CAST-equipped Full Power Balanced 200c, 300c, and 600c Stereo Amplifiers; and 250Mc, 350Mc, and 650Mc Monaural Amplifiers or with the Krell Master Reference Amplifiers.

Back Panel, *continued*

See Figure 4 on page 14

Digital Inputs and Outputs

43 Optics1 and Optics2 Outputs

The KPS 25sc is equipped with two EIAJ fiber optic digital outputs with TosLink connectors.

44 Coax1 and Coax2 Outputs

The KPS 25sc is equipped with two S/PDIF coaxial digital outputs with RCA connectors.

45 AES Output and Input

The KPS 25sc is equipped with one AES digital output and input with XLR connectors.

46 Optics1 and Optics2 Inputs

The KPS 25sc is equipped with two EIAJ fiber optic digital inputs with TosLink connectors.

47 Coax1 and Coax2 Inputs

The KPS 25sc is equipped with two S/PDIF coaxial digital inputs with RCA connectors.

Power

48 Back Panel Power Switch

Use the back panel power switch for the initial KPS 25sc power on. *For more information, see **Connecting the KPS 25sc to Your System**, on page 22.*

49 Line Fuse

The 50/60 Hz line fuse protects the KPS 25sc against short circuits from the external AC power.

Note

Replace fuses only with the fuse value specified on the back panel.

50 IEC Connector

The connector is for use with the provided IEC standard 15 amp AC power cord.

Back Panel Remote Connections

51 Krell Link Out

52 Krell Link In

The KPS 25sc is equipped with a Krell Link communications output and input data port. Krell Link allows synchronized remote power on and off of other components with Krell Link, such as Full Power Balanced amplifiers or Master Reference Amplifiers.

53 RC-5

The KPS 25sc is equipped with an RC-5 input that makes custom installation easy and secure by accepting baseband RC-5 input commands from hardwired remote controllers.

54 12 VDC Out

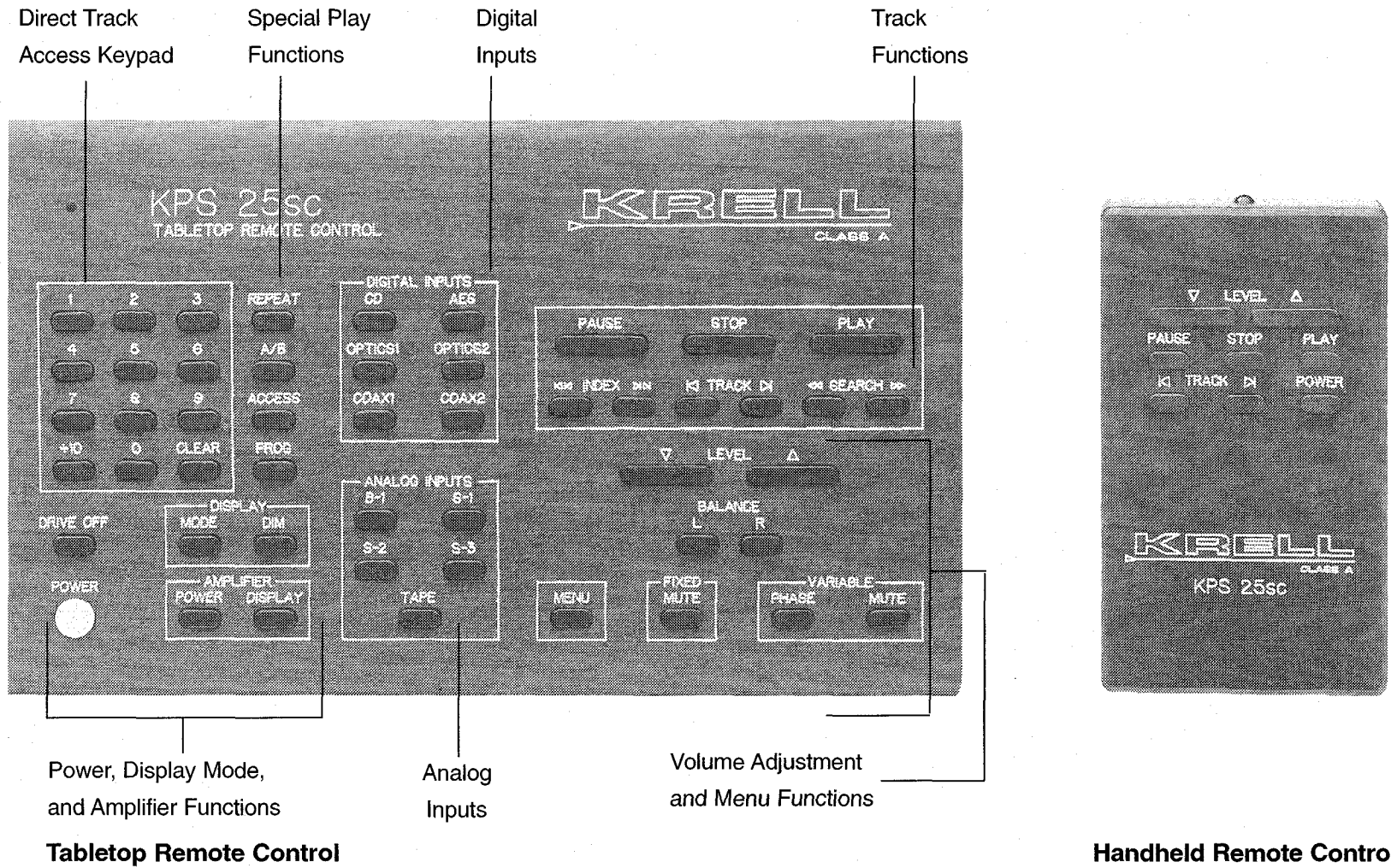
The KPS 25sc is equipped with an output that sends 12 VDC power on/off (12 V trigger) signals to other Krell components and other devices that incorporate a 12 V trigger. This allows you to turn other components on or off, or to and from stand-by, from the KPS 25sc. When the KPS 25sc is switched between the stand-by and operational modes, it sends a signal from the 12 VDC Out that will switch other components, allowing whole or parts of systems to be easily coordinated.

Notes

The 12 VDC output power is limited to 30 ma.

Consult the owner's reference of the components used in a custom installation to take full advantage of the remote capability of the KPS 25sc.

FIGURE 5 THE KPS 25sc TABLETOP AND HANDHELD REMOTE CONTROLS



Remote Control Description

See Figure 5 on page 17

The KPS 25sc is equipped with two remote controls. The tabletop remote control provides complete compact disc transport functions as well as Krell preamplifier and power amplifier remote control functions.

The handheld remote control contains power on/off, pause, play, stop, volume level control, and track back and track forward keys.

BATTERY INSTALLATION AND REMOVAL

The KPS 25sc Tabletop Remote Control uses four AAA-size 1.5 Volt batteries. The KPS 25sc Handheld Remote Control uses two AAA-size 1.5 Volt batteries. Batteries are included with the shipment.

These directions apply to both the Tabletop Remote Control and the Handheld Remote Control.

1. Remove the backplate, using the supplied T-10 Torx wrench.
2. Install the batteries, following the battery position diagram on the plastic battery receptacle.
3. Replace the backplate.

The remote control is ready for operation.

Replace batteries when remote control function becomes intermittent.

Remove batteries if the remote control is not used for a long period of time. Battery leakage can damage the remote control.

TABLETOP REMOTE CONTROL

The KPS 25sc tabletop remote control, with direct access capability, provides full-function remote control operation. Tabletop remote control keys are labeled by section rather than numbered individually. Cross references to front panel buttons are in parentheses.

Direct Track Access Keypad

Use the direct track access keypad to select a compact disc track. With the direct number access function, the selected track begins play immediately after you select it. If the track you want to play is numbered 1–9, press the key that corresponds to the track. Use the +10 key to access tracks numbered 10 or higher.

Example: To access track 8, press the number 8 key once. To access track 10, press the +10 key once and the 0 key once. To access track 24, press the +10 key twice and the 4 key once. Tracks consisting of two digits must be keyed within eight seconds of each other.

Clear

Use this key to delete the last entry selected in a programmed sequence.

Special Play Functions

Repeat Key

Press this key once to repeat the entire disc or track program continuously. REPEAT ALL appears in the compact disc display (1). Press twice to repeat the current track continuously. REPEAT 1 appears in the compact disc display. Press a third time to cancel this function.

Remote Control, *continued*

See Figure 5 on page 17

Special Play Functions, continued

A/B Key

Use this key to create a loop between two predetermined points within a single track or sequential tracks. See *How to Create an A/B Loop*, on page 27.

Access Key

When an exact start position is critical, use the direct number access keypad to numerically select a position within a specific track program. When you press the access key, the compact disc display (1) shows zeros for track number and time within each track.

Use the direct track access keypad to enter the desired track number at the flashing zero. The left zero, indicating time within the track, flashes. Use the keypad again to enter the desired start point on the track. Playback begins automatically.

Prog (Program) Key

Use this key to access the track programming mode. Track programming lets you select the tracks you want to hear in the order you want to hear them. See *How to Write a Program*, on page 26.

Digital Inputs

CD Key

Use this key to select the internal compact disc transport.

AES Key

Use this key to select the corresponding rear panel input that is connected to an AES digital source.

Optics1 and Optics2 Keys

Use these keys to select the corresponding rear panel input that is connected to an EIAJ fiber optic digital source.

Coax1 and Coax2 Keys

Use these keys to select the corresponding rear panel input that is connected to a S/PDIF coaxial source.

Track Functions

Pause Key

Use this key to temporarily suspend playback of the current compact disc track. To resume playing the track at the point pause was engaged, press the play key.

Play Key

Use this key to start playback from the beginning of the compact disc.

Stop Key

Use this key to stop compact disc playback.

Index (Back and Forward) Keys

Use the index back key to select the index number prior to the current index number within a specific track. Use the index forward key to select the index number following the current index number within a specific track.

Note

These keys function only if the compact disc has been recorded with separate indexing. If a compact disc does not have indexing, the display defaults to the current track number when the index keys are pressed.

Track (Back and Forward) Keys

Use the track back key to select and begin playing the track that precedes the current track; use the track forward key to select and play the track that follows the current track.

Search (Back and Forward) Keys

Press and hold these keys to scroll backward or forward through the current track.

Remote Control, *continued*

See Figure 5 on page 17

Volume Adjustment and Menu Functions

Level (Down and Up) Keys

Use these keys to increase or decrease system volume level. The volume level is shown in the menu display (26).

Also use these keys, along with the menu control button (29) or key, to select menu functions to customize KPS 25sc features. See **Customizing Configurations**, on page 27.

Balance L(ef) and R(ight) Keys

Use these keys to balance speaker output. The left key shifts balance to the left in 1 dB increments; the right key shifts balance to the right in 1 dB increments. Balance status is shown in the menu display (26).

Menu Key

Use this key to access menu functions for customizing the KPS 25sc. See **Customizing Configurations**, on page 27.

Fixed Mute Key

Use this key to mute the fixed output. The LED above the fixed output mute button (27) illuminates when the fixed output is muted.

Variable Phase Key

Use this key to invert the absolute polarity of the variable output 180 degrees. The phase LED (30) illuminates when the polarity of the main output is reversed.

Variable Mute Key

Use this key to mute the variable output. The LED above the variable output mute button (28) illuminates when the variable output is muted.

Analog Inputs

B-1 Key

Use this key to select the corresponding rear panel input that is connected to a balanced analog source.

S-1, S-2, and S-3 Keys

Use these keys to select the corresponding rear panel input that is connected to a single-ended analog source.

Tape Key

Use this key to select the corresponding rear panel input that is connected to a tape source. For instructions on using this feature, see **Tape Input and Output**, on page 25.

Power, Display Mode, and Amplifier Functions

Drive Off Key

Use this key to turn the compact disc transport on and off.

Power Key

Use this key to switch the KPS 25sc unit between the stand-by and operational modes.

Display Mode Key

Use this key to cycle the compact disc display (1) through four options. The options appear in the compact disc display as they are selected.

Each. Elapsed time of the track currently playing.

Each remain. Time remaining in the track currently playing.

Total. Total time of currently playing track.

Total remain. Total time remaining in the current disc or program.

Remote Control, *continued*

See Figure 5 on page 17

Power, Display Mode, and Amplifier Functions, continued

Note

The compact disc transport must be on for the display mode to function.

Display Dim Key

Use this key to turn the compact disc display (1) on and off.

Amplifier Power Key

Use this key to switch a Krell remote controlled amplifier between the stand-by and operational modes.

Amplifier Display Key

Use this key to operate the display of a Krell remote controlled amplifier.

Note

The amplifier power and amplifier display keys operate a Krell amplifier connected to your system; they do not activate the KPS 25sc.

Connecting the KPS 25sc to Your System *See Figure 4 on page 14*

INPUT AND OUTPUT CONNECTIONS

Krell recommends using its proprietary Krell CAST system for unparalleled sonic performance between the KPS 25sc and other CAST-equipped components such as the Full Power Balanced amplifiers or the Master Reference Amplifiers.

The KPS 25sc also offers balanced operation. The circuitry and connections associated with balanced operation not only can minimize sonic loss but also are immune to induced noise, especially for installations using long cables.

Follow these steps to connect the KPS 25sc to your system.

IMPORTANT

Connecting non-CAST components to CAST inputs or outputs can damage your equipment and void your warranty.

Do not attempt to change CAST cable terminations or CAST inputs or outputs to RCA or XLR connectors. It is electrically impossible to convert CAST input or output connections for balanced or single-ended voltage operation.

*Please read the **Warranty**, on page 32, to understand the warranty limitations of the KPS 25sc.*

1. Make sure all power sources and components are off before connecting inputs and outputs.
2. Neatly organize wiring between the KPS 25sc and the preamplifier and amplifier, and between all other components. Separate AC wires from audio cables to prevent hum and other unwanted noises from being introduced into the system.
3. Connect the Krell CAST cables from the left and right Krell CAST 4-pin outputs (42) on the KPS 25sc back panel to your CAST-enabled preamplifier or amplifier.

For balanced or single-ended operation, connect the interconnect cables from either the left and right fixed balanced (38), variable balanced (39), fixed single-ended (40), or variable single-ended (41) outputs on the KPS 25sc back panel to the balanced or single-ended inputs on your preamplifier or amplifier. (The remaining outputs can be connected to another preamplifier or amplifier in a different system).

IMPORTANT

Use variable output terminals when the KPS 25sc is connected directly to a Krell stereo power amplifier or to a pair of Krell monaural power amplifiers that do not have gain control. Using fixed outputs can damage power amplifiers and loudspeakers.

4. Connect the cables from your source equipment to the appropriate balanced (31), tape (32) or single-ended (34, 35, 36) analog inputs on the KPS 25sc back panel.
5. Connect the cables from your digital audio or video source to the optics input (46) or coaxial digital input (47) on the KPS 25sc back panel.
6. Connect the cables from your optics output (43) or coaxial digital output (44) on the KPS 25sc back panel to send signals to a digital recording device, external digital/analog processor, or video source.

Connecting the KPS 25sc to Your System, *continued*

INPUT AND OUTPUT CONNECTIONS, *continued*

7. Connect the KPS 25sc to AC power: plug the AC power into the IEC connector (50) on the back panel, then plug and AC power cord into the wall socket.

IMPORTANT

When switching between active sources, always lower the volume to off or mute the output. This ensures that the next source played does not damage your system with a high output transient.

POWER ON

Power the KPS 25sc on using the back panel power switch (48). The word **KRELL** momentarily appears in the front panel menu display (26). This indicates that the KPS 25sc has initialized. The KPS 25sc is in the stand-by mode. The red stand-by LED (12) illuminates.

FACTORY DEFAULT SETTINGS

Krell ships the KPS 25sc with the following outputs operational:

Variable outputs: RCA single-ended and XLR balanced

Fixed outputs: RCA single-ended and XLR balanced

Variable outputs: Krell CAST 4-pin bayonet

IMPORTANT

When the KPS 25sc is connected directly to a stereo power amplifier or a pair of monaural power amplifiers, use the variable output terminals to ensure proper level control. Using the fixed outputs in this configuration could damage power amplifiers and loudspeakers.

The cover operation mode is shipped set for auto. The cover must be down for compact disc playback to begin.

The shutter operation mode is shipped set for auto. The cover automatically becomes opaque when you play a compact disc and becomes clear when playback stops.

Krell Link Connections and Operation

Krell Link in/out connectors on the KPS 25sc back panel allow you to synchronize remote control operation for systems that include multiple preamplifiers, amplifiers and associated components. When the Krell Link in/out connectors are used, the remote capabilities of the linked components are controlled from one component, called the control component. The linked components respond to stand-by and operational mode commands from the control component via MIDI cables.

Note

Krell Link uses standard five pin MIDI communication cables, sometimes called MIDI Plus cables. MIDI cables can be purchased from your authorized distributor or dealer, or from an audio supply store.

CONNECTING COMPONENTS THROUGH KRELL LINK

1. Turn all components off. This ensures components are synchronized when the MIDI cables are connected.
2. Select the control component. It must be in plain view for proper remote control operation.
3. Connect one end of the MIDI cable to the Krell Link out connector on the control component back panel.
4. Connect the other end of the MIDI cable to the Krell Link in connector on the back panel of the next component.
5. To link another component, connect another MIDI cable to the Krell Link out connector on the back panel of the second component. Connect the remaining end of the MIDI cable to the Krell Link in connector on the back panel of a third component.
6. Link additional components, if desired.

The components are now ready for operation with Krell Link.

KRELL LINK OPERATION

1. When all components are connected, as described above, place each component in the stand-by mode. This ensures all components are synchronized when signals from the control component are sent to linked components.
2. Switch the control component to the operational mode from the component's front panel power button or through the power key on the remote control. The linked components simultaneously switch to the operational mode.

An individual linked component can be switched between the stand-by and operational modes from its front panel. Switching a linked component temporarily breaks the chain of linked components. To re-establish linked operation, return all components to the stand-by mode.

Note

See *Amplifier Control Options*, on page 29, for information about customizing Krell Link operation.

Tape Input and Output

The KPS 25sc has a discrete tape input and output. The tape output is used to send an input signal from S-1, S-2, S-3, or B-1 to a recording device or processor. You can use the tape feature in two ways:

1. Use the tape input to compare the output signal of a three-head analog tape recorder to the output signal of an audio source, when making a recording. To activate this function, select an audio source for recording using either the S-1, S-2, S-3, or B-1 input selector buttons (20-23) or keys. Press the tape button (24) or tape key on the Tabletop Remote Control to switch between the tape recorder output (red LED illuminated) and the input source (red LED not illuminated).
2. Use the tape output to create a processor loop, when the KPS 25sc is connected to a

graphic equalizer or other ancillary equipment. To activate this function, connect the equipment to the KPS 25sc tape outputs (33) as described in the equipment manufacturer's manual. Press the tape button (24) or tape key on the Tabletop Remote Control to switch between the processor output (red LED illuminated) and the input source (red LED not illuminated).

Note

When changing sources, lower the volume to off or mute the output. This ensures that the next source played does not damage your system with a high output transient.

Operating Your KPS 25sc

This section provides more detailed information about operating the KPS 25sc.

TO PLAY A COMPACT DISC

1. After the KPS 25sc is initialized and in standby mode, use the power button (12) or key to switch the component to the operational mode. The blue power LED (13) illuminates. The compact disc transport is active.
2. Gently raise the acrylic cover until it is upright (approx. 90° angle).
3. Remove the provided Krell compact disc clamp and place your compact disc on the transport.
4. Secure the compact disc with the compact disc clamp (you must use this clamp since it is part of the disc sensing mechanism).
5. Gently pull the acrylic cover forward until you feel the damper mechanism resist slightly. The damper mechanism is now engaged and will automatically finish closing the cover. Do not force the cover to close faster than the damping mechanism allows.
6. Begin playback. You can use the play button (4), the play key (handheld remote control), or the direct track access keypad (tabletop remote control).

Playback begins from the first track.

Note

If you begin playing a compact disc using the direct track access keypad, the acrylic cover does not become opaque. You must use the play button (4) or key to make the cover opaque.

7. Use the level knob (25) or keys to adjust the volume to the desired level.
8. Press the stop button (3) or key to end compact disc playback.

HOW TO WRITE A PROGRAM

This short-term programming lets you store a maximum of 20 tracks in a program sequence.

Note

Track forward, track back, repeat, and pause function normally within a programmed sequence. For a description of these keys, see page 19.

1. Press the prog (program) key on the remote control. PROGRAM appears in the compact disc display (1).
2. Key in the desired track sequence using the direct track access keypad. The selected tracks and total playing time of the programmed sequence appear in the compact disc display (1) in the order in which they are stored.

Note

Tracks consisting of two digits must be keyed within eight seconds of each other.

3. Press the play key to begin playback of a programmed sequence.
4. Press the stop key and program key again to erase a programmed sequence.

HOW TO CREATE AN A/B LOOP

Press the play button (4) or key to begin play of a track. When you hear the part that you want as the beginning of the loop, press A/B to insert the start position. REPEAT A appears in the compact disc display (1). Press A/B again to insert the finish position. REPEAT A-B appears in the compact disc display. Playback of the loop automatically begins and continues until the user stops it. Press the stop button (3) on the front panel or stop key on the remote control to stop play or press A/B again to delete the A/B program.

TO PLAY ANOTHER INPUT SOURCE

1. After the KPS 25sc is initialized and in the stand-by mode, use the power button (12) or key to switch the component to the operational mode. The blue power LED (13) illuminates.
2. Select the analog or digital input source using the front panel button or key.
3. Follow the operating directions for the input source.

This section provides instructions for customizing options, including cover and shutter operation, Theater Throughput mode, setting amplifier control options, adjusting menu brightness, assigning custom names to inputs, changing an input's volume trim, changing volume control sensitivity, or returning all settings to the factory defaults.

CHANGE THE COVER OPERATION MODE

The cover operation mode lets you choose how cover position affects compact disc playback. The three cover operation modes are:

Off. The cover position does not affect compact disc playback.

Auto. The cover must be down for compact disc playback to begin. After the cover is down, press the play button (4) or key to begin playback (factory default).

Auto play. Playback begins automatically as the cover is closed.

To change the cover operation mode:

1. Press the menu control button (29) or menu key. The word MENU appears in the menu display (26).
2. Rotate the level knob (25) or press level key until the word COVER appears.
3. Press the menu control button (29) or key again. The current cover operation mode appears in the menu display.
4. Rotate the level knob (25) or press level key to select the desired cover operation mode.

Customizing Configurations, *continued*

CHANGE THE COVER MODE, *continued*

5. Press the menu control button (29) or key to lock in the setting.
6. Press the menu control button (29) or key again to exit the menu mode.

IMPORTANT—USER PRECAUTION

The KPS 25sc acrylic cover is mechanically damped to ensure smooth operation while closing. If you force the cover to close, you will damage the cover and the damping assembly. During operation, do not force the cover to close faster than the damping mechanism allows.

To adjust the cover closing speed, see **Adjusting the Cover Closing Speed**, on page 10.

CHANGE THE SHUTTER OPERATION MODE

The shutter operation mode lets you choose when the cover is clear or opaque. The three shutter operation modes are:

Clear. The cover is clear at all times.

Opaque. The cover is opaque at all times.

Auto. The cover automatically becomes opaque when a compact disc is playing, to protect compact disc data. When the compact disc is not playing, the cover becomes clear (factory default).

To change the shutter operation mode:

1. Press the menu control button (29) or menu key. The word MENU appears in the menu display (26).
2. Rotate the level knob (25) or press level key until the word SHUTTER appears.
3. Press the menu control button (29) or key again. The current shutter operation mode ears in the menu display (26).

4. Rotate the level knob (25) or press the level key to select the desired shutter operation mode.
5. Press the menu control button (29) or key to lock in the setting.
6. Press the menu control button (29) or key again to exit the menu mode.

CONFIGURING FOR THEATER THROUGHPUT

You can simplify the integration of an audio/video surround sound processor into your system by setting the S-1, S-2, S-3, or B-1 inputs to operate as a unity gain stage. Krell calls this configuration Theater Throughput.

When you configure a KPS 25sc input for Theater Throughput, the KPS 25sc volume and balance controls are transferred to the audio/video surround sound processor, for integrated volume and balance management and ease of operation. When the KPS 25sc input is configured for Theater Throughput and connected to the audio/video surround sound processor's input configured for Theater Throughput, all KPS 25sc volume and balance adjustments are made through the surround sound processor. When you disengage the KPS 25sc input from Theater Throughput, the volume and balance controls revert to the KPS 25sc.

To select an input for Theater Throughput:

1. Press the menu control button (29) or menu key. The word MENU appears in the menu display (26).
2. Rotate the level knob (25) or press level key until the word THEATER appears.
3. Press the menu control button (29) or key again. The word CD appears.

Customizing Configurations, *continued*

4. Rotate the level knob (25) or press level key to select the input for THEATER THROUGHPUT.
 5. Press the menu control button (29) or key again to display the current theater mode setting. The display reads YES when Theater Throughput is active and NO when Theater Throughput is inactive.
 6. Rotate the level knob (25) or press level key to YES to engage Theater Throughput.
 7. Press the menu control button (29) or key to lock in the setting.
 8. Press the menu control button (29) or key again to exit the menu mode.
4. Rotate the level knob (25) or press level key to select the input for Theater Throughput.
 5. Press the menu control button (29) or key again to display the current theater mode setting. The display reads YES when Theater Throughput is active and NO when Theater Throughput is inactive.
 6. Rotate the level knob (25) or press level key to NO to disengage Theater Throughput.
 7. Press the menu control button (29) or key to lock in the setting.
 8. Press the menu control button (29) or key again to exit the menu mode.

IMPORTANT

Make sure that the source component is a surround sound processor. Source components that are not surround sound processors should not be connected to an input configured for Theater Throughput. Doing so can result in excessive and possibly damaging volume levels when the source component is played. Always turn off the source component before you configure any input on the KPS 25sc for Theater Throughput.

To disengage an input from Theater Throughput:

1. Press the menu control button (29) or menu key. The word MENU appears in the menu display (26).
2. Rotate the level knob (25) or press level key until the word THEATER appears.
3. Press the menu control button (29) or key again. The word CD appears.

AMPLIFIER CONTROL OPTIONS

These options are for users whose KPS 25sc is connected to Krell Full Power Balanced amplifiers or Master Reference Amplifiers with Krell Link. The two amplifier control options are:

Auto. The amplifiers connected through Krell Link automatically power on when you press the KPS 25sc power button or key (factory default).

Off. The KPS 25sc will turn on when you press the power button or key, but the amplifiers will remain off until powered on separately. If you want your amplifiers to power on automatically each time you power on the KPS 25sc, keep the factory default. If you want to use the KPS 25sc without powering on the amplifiers (for example, if you frequently make recordings), then you may wish to change the amplifier control option from auto to off.

Customizing Configurations, *continued*

To change the amplifier control:

1. Press the menu control button (29) or menu key. The word MENU appears in the menu display (26).
2. Rotate the level knob (25) or press level key until the word AMPCTL appears.
3. Press the menu control button (29) again. AUTO (factory default) appears in the menu display.
4. Rotate the level knob or press the level key until the word OFF appears.
5. Press the menu control button (29) or menu key to lock in the setting.
6. Press the menu control button (29) or key again to exit the menu mode.

To power on the amplifiers after the KPS 25sc is powered on, point the remote control at the KPS 25sc, and press the amplifier power key.

ADJUST MENU DISPLAY BRIGHTNESS

This function lets you increase menu display brightness for easy viewing or completely dim the menu display.

1. Press the menu control button (29) or menu key. The word MENU appears in the menu display (26).
2. Rotate the level knob (25) or press level key until the word BRIGHT appears.
3. Press the menu control button (29) or key again. The current brightness level appears in the menu display (26).
4. Rotate the level knob (25) or press the level key to view brightness levels.

5. When the brightness level is set to the desired level, press the menu control button (29) or key to lock in the setting.
6. Press the menu control button (29) or key again to exit the menu mode.

ASSIGN CUSTOM NAMES TO INPUTS

This function lets you assign custom rather than generic names to digital or analog inputs on the KPS 25sc, for ease of input identification and use.

1. Press the menu control button (29) or menu key. The word MENU appears in the menu display (26).
2. Rotate the level knob (25) or press level key until the word NAME appears.
3. Press the menu control button (29) or key again. The word AES appears.
4. Rotate the level knob (25) or press level key to select the input to which you want to assign a custom name.
5. Press the menu control button (29) or key. The word PHONO appears.
6. Rotate the level knob (25) or press level key to select the desired name.
7. Press the menu control button (29) or key to assign the selected name to the selected input.
8. Press the menu control button (29) or key again to exit the menu mode.

Note

The input for compact disc cannot be renamed.

Customizing Configurations, *continued*

CHANGE AN INPUT'S VOLUME TRIM

This function lets you add a fixed positive or negative volume offset for inputs with significantly different volume output levels. This lets you switch between these inputs without risking damage from excessive changes in volume levels.

1. Press the menu control button (29) or menu key. The word **MENU** appears in the menu display (26).
2. Rotate the level knob (25) or press level key until the words **VOL TRIM** appear.
3. Press the menu control button (29) or key again. The word **CD** appears.
4. Rotate the level knob (25) or press level key to select the input for volume trim.
5. Press the menu control button (29) or key again. The current volume trim appears.
6. Rotate the level knob (25) or press level key to select the desired volume trim.
7. Press the menu control button (29) or key to lock in the setting.
8. Press the menu control button (29) or key again to exit the menu mode.

CHANGE THE VOLUME CONTROL SENSITIVITY

Volume control sensitivity lets you customize the speed at which the volume level control knob and keys adjust volume levels.

1. Press menu control button (29) or menu key. The word **MENU** appears in the menu display (26).

2. Rotate the level knob (25) or press level key until the words **VOL SPEED** appear.
3. Press the menu control button (29) or key again. The current volume speed is displayed.
4. Rotate the level knob (25) or press level key to select the desired volume speed.
5. Press the menu control button (29) or key to lock in the setting.
6. Press the menu control button (29) or key again to exit the menu mode.

RETURN ALL SETTINGS TO FACTORY DEFAULTS

1. Press the menu control button (29) or menu key. The word **MENU** appears in the menu display (26).
2. Rotate the level knob (25) or press level key until the words **ALL CLEAR** appear.
3. Press the menu control button (29) or key again. The word **WAIT** appears. Please wait 8–10 seconds for the KPS 25sc to reset.
4. Press the menu control button (29) or key again to exit the menu mode.

Warranty

This Krell product has a limited warranty of five years for parts and labor on circuitry and three years for parts and labor on all mechanical components. Should this product fail to perform at any time during the warranty, Krell will repair it at no cost to the owner, except as set forth in this warranty.

The warranty does not apply to damage caused by acts of God or nature.

The warranty on this page shall be in lieu of any other warranty, expressed or implied, including, but not limited to, any implied warranty of merchantability or fitness for a particular purpose. There are no warranties which exceed beyond those described in this document. If this product does not perform as warranted herein, the owner's sole remedy shall be repair. In no event will Krell be liable for incidental or consequential damages arising from purchase, use, or inability to use this product, even if Krell has been advised of the possibility of such damages.

Proof of purchase in the form of a bill of sale or receipted invoice substantiating that the unit is within the warranty period must be presented to obtain warranty service. The warranty begins on the date of retail purchase, as noted on the bill of sale or receipted invoice from an authorized Krell dealer or distributor.

The warranty for Krell products is valid only in the country to which they were originally shipped, through the authorized Krell distributor for that country, and at the factory. There may be restrictions on or changes to Krell's warranty because of regulations within a specific country. Please check with your distributor for a complete understanding of the warranty in your country.

If a unit is serviced by a distributor who did not import the unit, there may be a charge for service, even if the product is within the warranty period.

Freight to the factory is your responsibility. Return freight within the United States (U.S.A.) is included in the warranty. If you have purchased your Krell product outside the U.S.A. and wish to have it serviced at the factory, all freight and associated charges to the factory are your responsibility.

Krell will pay return freight to the U.S.A.-based freight forwarder of your choice. Freight and other charges to ship the unit from the freight forwarder to you are also your responsibility.

Krell is not responsible for any damage incurred in transit. Krell will file claims for damages as necessary for units damaged in transit to the factory. You are responsible for filing claims for shipping damages during the return shipment.

Krell does not supply replacement parts and/or products to the owner of the unit. Replacement parts and/or products will be furnished only to the distributor performing service on this unit on an exchange basis only; any parts and/or products returned to Krell for exchange become the property of Krell.

No expressed or implied warranty is made for any Krell product damaged by accident, abuse, misuse, natural or personal disaster, or unauthorized modification.

Any unauthorized voltage conversion, disassembly, component replacement, perforation of chassis, updates, or modifications performed to the unit will void the warranty.

IMPORTANT

Connecting non-CAST components to CAST inputs or outputs can damage your equipment and void your warranty.

Do not attempt to change CAST cable terminations or CAST inputs or outputs to RCA or XLR connectors. It is electrically impossible to convert CAST input or output connections for balanced or single-ended voltage operation.

The operating voltage of this unit is determined by the factory and can only be changed by an authorized Krell distributor or at the factory. The voltage for this product in the U.S.A. cannot be changed until six months from the original purchase date.

In the event that Krell receives a product for warranty service that has been modified in any way without Krell authorization, all warranties on that product will be void. The product will be returned to original factory layout specifications at the owner's expense before it is repaired. All repairs required after the product has been returned to original factory specifications will be charged to the customer, at current parts and labor rates.

All operational features, functions, and specifications and policies are subject to change without notification.

To register your product for warranty benefits, please complete and return the Warranty Registration Card enclosed in the shipping box within 15 days of purchase. Thank you.

Return Authorization Procedure

If you believe there is a problem with your component, please contact your dealer, distributor, or the Krell factory to discuss the problem before you return the component for repair. To expedite service, you may wish to complete and e-mail the Service Request Form in the Service Section of our website at:

<http://www.krellonline.com>

To contact the Krell® Service Department

TEL **203-799-9954**
 Monday-Friday
 9:00 AM to 5:00 PM EST

FAX **203-799-9796**

E-MAIL **service@krellonline.com**

WEBSITE **<http://www.krellonline.com>**

KPS 25sc

PRODUCT

SERIAL NUMBER

To return a product to Krell, please follow this procedure so that we may serve you better.

1. Obtain a Return Authorization Number (R/A number) and shipping address from the Krell Service Department.
2. Insure and accept all liability for loss or damage to the product during shipment to the Krell factory and ensure all freight (shipping) charges are prepaid.

The product may also be hand delivered if arrangements with the Service Department have been made in advance. Proof of purchase will be required for warranty validation at the time of hand delivery.

IMPORTANT

Use the original packaging to ensure the safe transit of the product to the factory, dealer, or distributor. Krell may, at its discretion, return a product in new packaging and bill the owner for such packaging if the product received by Krell was boxed in nonstandard packaging or if the original packaging was so damaged that it was unusable. If Krell determines that new packaging is required, the owner will be notified before the product is returned

To purchase additional packaging, please contact your authorized Krell dealer, distributor, or the Krell Service Department for assistance.

Krell Industries, Inc.
45 Connair Road
Orange, CT 06477-3650 USA

TEL 203-799-9954, FAX 203-891-2028
E-MAIL krell@krellonline.com
WEBSITE <http://www.krellonline.com>

KPS 25sc

Krell Playback System

with Krell CAST Technology

v 00.1

Specifications

FREQUENCY RESPONSE

0.1 Hz to 1 MHz +0 dB, -3 dB

TOTAL HARMONIC DISTORTION (THP/THD)

BALANCED, UNWEIGHTED

1 kHz <0.005%

20 kHz <0.008%

SIGNAL TO NOISE RATIO

BALANCED, "A" WEIGHTED

97 dB

CHANNEL SEPARATION

97.8 dB @ 1 kHz

DIGITAL TO ANALOG CONVERSION

Dual interleaved 20-bit DACs

DIGITAL FILTERS

16x oversampling employing dual Motorola 56009 DSPs, HDCD® employing Pacific Microsonics PMD 100

DIGITAL CLOCKING SYSTEM

Master clock synchronizes disc drive, laser assembly, DSP circuit, and decoder circuit

MAINS

Voltage 100 V, 120 V, 200 V, 220 V, 240 V
Frequency 50/60 Hz

OUTPUT VOLTAGE

BALANCED

13 Vrms

POWER CONSUMPTION

90 W

INPUT IMPEDANCE

98 kOhm

OUTPUT IMPEDANCE

17 Ohms

GAIN

BALANCED

12 dB

SINGLE-ENDED

6 dB

DISC DRIVE

Top loading mechanism featuring cog-free motor assembly and belt driven laser assembly

DISC CLAMP

Machined, electrolyzed aluminum with neodymium magnet

DIGITAL INPUTS AND OUTPUTS

1 AES 110 Ohms, 3.5 V via XLR connectors

2 S/PDIF 75 Ohms, 0.5 V via RCA connectors

2 EIAJ optical, via TosLink connectors

ANALOG INPUTS

1 pair balanced via XLR connectors

4 pair single-ended via RCA connectors

ANALOG OUTPUTS

1 pair fixed balanced and 1 pair variable balanced via XLR connectors

2 pair fixed single-ended and 1 pair variable single-ended via RCA connectors

1 pair variable Krell CAST via 4-pin bayonet connectors

VOLUME CONTROL RESOLUTION

16-bit

BALANCE CONTROL RESOLUTION

0.5 dB

REMOTE CONTROL

1 tabletop direct access wireless infrared

1 handheld wireless infrared

1 RC-5 via a DC power connector

1 12 VDC Input (12 V trigger) via a 3.5 mm mini plug

1 Krell Link input

1 Krell Link output

DIMENSIONS

WITH COVER CLOSED

19.0w x 5.3h x 15.4d in.

48.3w x 13.5 h x 39.1d cm

HEIGHT WITH COVER OPEN

20 in., 50 cm

WEIGHT

Shipping 78.0 lb., 35.5 kg

Unit only 45.0 lb., 20.5 kg

All operational features, functions, specifications, and policies are subject to change without notification.

Free Manuals Download Website

<http://myh66.com>

<http://usermanuals.us>

<http://www.somanuals.com>

<http://www.4manuals.cc>

<http://www.manual-lib.com>

<http://www.404manual.com>

<http://www.luxmanual.com>

<http://aubethermostatmanual.com>

Golf course search by state

<http://golfingnear.com>

Email search by domain

<http://emailbydomain.com>

Auto manuals search

<http://auto.somanuals.com>

TV manuals search

<http://tv.somanuals.com>