

QUICK SETUP GUIDE

Getting Started

The owner's reference for this product, including a detailed description of features, technologies, and warranty is available on the web at: www.krellonline.com

Thank you for your purchase of the Krell Evolution 222 Stereo Preamplifier. The Evolution 222 features Krell Current Mode circuit topologies, Krell CAST technology, and a robust power supply for exceptional audio performance. A thoughtful suite of menu options ensures that the Evolution 222 can be customized for the greatest ease of operation.

Please contact your authorized dealer, distributor, or Krell if you have any questions not addressed in the owner's reference.

Overview

The preamplifier's front panel provides power on, input and zone selection, level control, menu functions, and status display. The rear panel allows connection to audio sources, power amplifiers, AC power, and other system components.

The remote control provides power, preamplifier, level control, navigation and customization functions, CD and DVD player controls and menu configuration.

WARNINGS

Do not place the preamplifier where it could be exposed to dripping or splashing.

Do not remove or bypass the ground pin on the end of the AC cord. This may cause radio frequency interference (RFI) to be introduced into your playback system.

The ventilation grids on the top and bottom of the preamplifier must be unobstructed at all times during operation. Do not place flammable material on top of or beneath the component.

Turn off all systems' power before connecting the preamplifier to any component.

Make sure all cable terminations are of the highest quality, free from frayed ends, short circuits, or cold solder joints.

THERE ARE NO USER-SERVICEABLE PARTS INSIDE ANY KRELL PRODUCT

Unpacking

Note

Save all packing materials. If you need to ship the Evolution 222 in the future, repack the unit in its original packaging to prevent shipping damage.

1. Open the shipping box and remove the top layer of foam. You will see these items:

1 Preamplifier chassis	2 AAA remote batteries
1 IEC connector (AC power) cord	1 T-10 Torx wrench for remote
1 Remote control	1 Quick Setup Guide

2. Carefully remove all items from the shipping box.
3. Place the preamplifier in a safe location and remove the protective plastic wrapping.

Placement

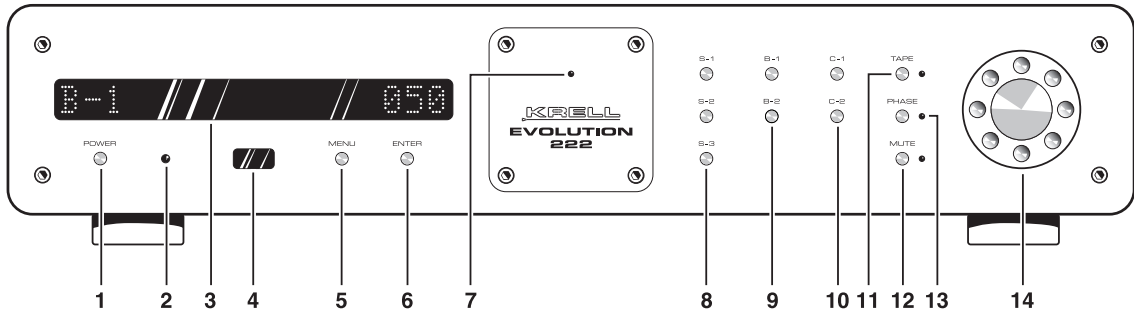
We recommend that you place the preamplifier on a firm, level surface, away from excessive heat, humidity, or moisture. The preamplifier requires at least two inches (5 cm) of clearance on each side and at least two inches (5 cm) of clearance above to provide adequate ventilation. Installations inside cabinetry may need extra ventilation.

AC POWER GUIDELINES

The Evolution 222 preamplifier has superb regulation and does not require a dedicated AC circuit. Avoid connections through extension cords or multiple AC adapters. High quality 15 amp AC strips are acceptable. The use of AC line conditioning devices is not recommended. The features provided by these devices are already on board the Evolution 222.



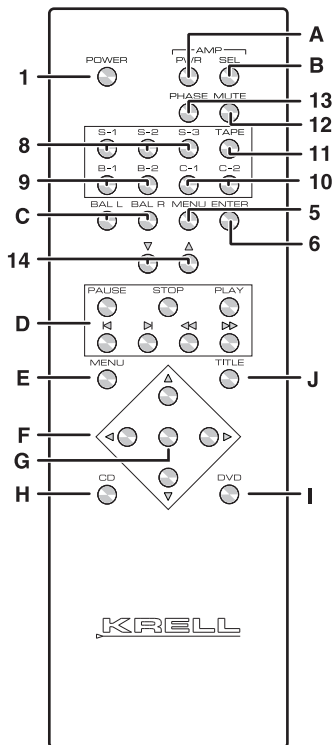
Figure 1 The Evolution 222 Front Panel



Front Panel Functions

- 1 Power**
Use this to switch the preamplifier between stand-by and operational modes.
- 2 Infrared emitter**
This transmits infrared commands to a programmable remote control, such as the Universal Krell Touch Screen Remote.
- 3 Display**
This provides channel status messages, including input selection, volume level, balance offset, and menu selections.
- 4 Infrared sensor**
This receives commands from the remote control. Make sure this is not obstructed.
- 5 Menu button**
Use this to access the menu functions of the Evolution 222. For more information, see **Customizing the Evolution 222**, in the owner's reference.
- 6 Enter button**
Use this to configure the menu functions of the Evolution 222. See menu (5).
- 7 Stand-by/Power LED**
This preamplifier and power supply LED illuminates red (stand-by) when the Evolution 222 is plugged into a standard AC wall receptacle. The LED illuminates blue (operational mode) when the power button (1) is pressed while the Evolution 222 is in stand-by mode.
- 8, 9, and 10 Input selectors**
Use these to select the corresponding rear panel input that is connected to a single-ended (S-1, S-2, S-3), balanced (B-1, B-2), or CAST (C-1, C-2) analog source. The display (3) shows the selected input and volume level.
- 11 Tape input selector**
Use this to select the tape input that is connected to an analog tape source. The red LED illuminates when the tape input is selected. The display (3) shows: TAPE and the main volume level.
- 12 Mute button**
Use this to mute the preamplifier output. To unmute, press the mute button again. The red LED illuminates when mute is selected.
- 13 Phase button**
Use this to invert the absolute polarity of the main output. The red LED illuminates when phase is selected.
- 14 Level control knob**
Use this knob to increase or decrease system volume level or, with the remote control's balance keys, to adjust the balance. The level control knob or keys also select menu options that customize the Evolution 222.

Figure 2 The Evolution 222 Remote Control



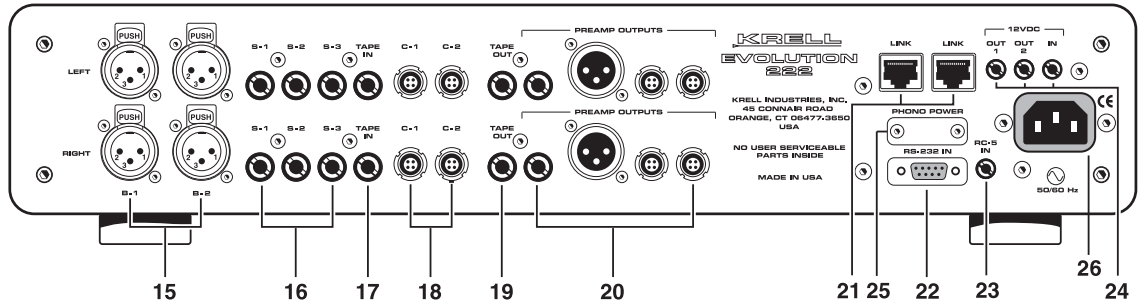
Remote Control Functions

- Keys labeled 1 to 14**
have the same function (and callout number) as the front panel controls.
- Keys labeled A through J**
are unique to the remote control, and are described below:
- A Amp Pwr key**
Use this to activate Krell amplifiers connected to your system.

- B Amp Sel key**
Use this to select the meter range of the power meter scale on the front of a Krell Evolution One amplifier.
- C Bal(ance) keys**
Use along with the level keys (14), to balance left and right output levels.
- D Transport keys**
These keys are functional with all Krell CD and DVD players.
- E Menu key**
Use this to enter CD or DVD player menus.
- F Direction keys**
Use these keys to navigate CD and DVD menus.
- G Select key**
Use this to make selections from CD and DVD menus.
- H CD key**
Press this to make the transport keys operate Krell CD players.
- I DVD key**
Press this to make the transport keys operate DVD players.
- J Title key**
Use this with CD or DVD player menus.

Note
The remote is shipped with two AAA batteries that have to be installed. Use the supplied Torx wrench to remove the battery panel, then install the batteries.

Figure 3 The Evolution 222 Back Panel



Back Panel Functions

15 Balanced inputs: B-1 and B-2

These XLR balanced analog source input connectors are wired as follows:

- Pin 1 Ground
- Pin 2 Non-inverting
- Pin 3 Inverting

16 Single-ended inputs: S-1, S-2, and S-3

There are 3 single-ended analog source inputs with RCA connector pairs.

17 Tape input

This single-ended input pair is for use with a tape source.

18 C-1 and C-2 inputs

The two CAST inputs have 4-pin bayonet connectors, for use with Krell CAST-equipped input devices.

19 Tape output

This single-ended output pair is used for recording the selected input source.

20 Main outputs

The Evolution 222 is equipped with one balanced XLR output pair, one single-ended RCA output pair, and two CAST output pairs with 4-pin bayonet connectors

(for use with Krell CAST-equipped amplifiers).

21 CAN link

These RJ-45 link connectors are connected in parallel. They are used to operate preamplifier channels in linked mode. See CAN Link, in the owner's reference for more details.

22 RS-232 port

This port receives messages from a computer-based control system, providing integrated control of all preamplifier functions. For details, see the developer's reference: **RS-232 Port: Sending Commands and Interpreting Data.**

23 RC-5 in

This remote connector is used with third-party remote control systems that provide RC-5 (IR) data via a wired connection. A stereo tip, ring, sleeve 1/8" mini connector is used in the following configuration:
Tip = RC-5 data
Ring = +5 V
Sleeve = GND.

24 12 VDC in/out (12 V trigger)

There are 2 outputs and one input that send and receive 12 VDC power on/off (trigger) signals to and from other Krell components, and other devices that incorporate a 12 V trigger. This allows other compo-

nents to be turned on/off, or to/from stand-by, through the remote control.

For more information, see **Input Trigger** in the owner's reference.

25 Phono power port

This is for connecting the preamplifier to a Krell KPE phono stage. See the KPE owner's reference for more details.

26 IEC power cord receptacle

This is for use with the provided AC power cord. Plug the other end into an AC Mains supply capable of supplying the correct AC voltage and current for the power supply.

Customizing the Evolution 222 Configurable Functions

AC Mains
Balance (channel)
Balance (input trim)
Display, Info
Input Level Trim
Input Name
Input Phrase
Input Trigger
IR Out Control
Link Control
Mute, Output Trigger
RC-5 Control, Recall
RS-232 Control, Save
Theater Mode
Volume Display

The menu button or key (5) allows you to configure functions. Enter the menu to view the list of configurable functions.

Select a configurable function to view a submenu of the list of options that configure the function. You can configure some options as well, if a second submenu appears when you select an option.

Navigation Conventions

Navigating the preamplifier menu is straightforward and consistent throughout, using 4 functions and the menu option BACK.

5 Menu Button or Key

To enter the menu, press the menu button

or key. Once you are in the menu, you can press the menu button or key to exit the menu.

14 Level Control Knob or Up and Down Keys

Use the level control knob or the up and down keys on the remote control to scroll forward and backward through the menu hierarchy. Each menu list is a continuous loop.

6 Enter Button or Key

Press this button or key to select a function or a configuration option, and confirm a selection.

3 Front Panel Display

The display shows the active function and configurable options.

BACK

Select back to scroll backwards through the menu hierarchy, or to exit a menu option without confirming that option.

For more information on menu configuration, review the Owner's Reference on the Krell website at www.krellonline.com. Navigate to Downloads/Current, then select the Evolution 222 from the product list. The publication list for the Evolution 222 appears.

Connecting the Evolution 222 to Your System

Krell recommends using its proprietary Krell CAST system for unparalleled sonic performance for connections between the preamplifier and other CAST-equipped components. Krell CAST uses flexible interconnecting cables that can be drawn through tight spaces and concealed. The Evolution 222 also offers balanced operation. This not only minimizes sonic loss but is also immune to induced noise, especially for installations using long cables.

Position the preamplifier where you intend to use it in your system.

1. Neatly arrange and organize wiring to and from the preamplifier and all components. Separate the AC wires from any audio cables to prevent hum or other unwanted noise from being introduced into the system.
2. Connect the outputs of your source equipment to the appropriate CAST (18), balanced (15), single-ended (16), or tape inputs (17) on the Evolution 222.
3. Connect the main outputs (20) on the Evolution 222 to your amplifier's inputs.
4. Connect the supplied AC power cord to the IEC power cord receptacle (26) of the preamplifier.
5. Plug the other end of the AC power cord into AC power. The display (3) scrolls through EVOLUTION 222 SOFTWARE VERSION, and the stand-by/power LED (7) illuminates red, indicating that the Evolution 222 is in stand-by mode. When the scrolling stops, the Evolution 222 is ready to be powered on.

Note

Use only the power cord provided with the Evolution 222 to make the connection to AC power. Operation with a power cord other than the one supplied by Krell can induce noise, limit current, or otherwise impair the ability of the preamplifier to perform optimally.

Operating the Evolution 222

After the Evolution 222 is connected to your system and to AC power, and the front panel display has stopped scrolling, begin operation:

1. Press the power button (1) on the front panel, or the remote control power key. The standby/power LED turns blue. The display shows the factory default input: S-1, and level: -inf. The Evolution 222 is now in the operational mode.
2. With the preamplifier output muted, or the volume fully attenuated, select a source manually using the front panel input select buttons (8, 9, or 10) or the remote input select keys. Start playing the source. Use the level control knob (14) or the remote level keys to set the volume to a comfortable level.
3. To return the preamplifier to the stand-by mode, press the power button (1) or remote power key. (We recommend leaving the Evolution 222 in the stand-by mode when it is not playing music.)

Channel Balance Adjustment

The balance function allows adjustment of the left and right balance. The options are: CENTER, L .5-5 dB <, R .5-5 dB >.

1. Press the preamplifier menu button (5), then use the level control knob, or the remote control up and down keys to select: BALANCE.
2. Press the enter button (6) or remote enter key. The display shows the default mode: CENTER.
3. Use the level control knob, or the up and down keys, to select the desired balance option from 0 to +5 dB in .5 dB increments, left or right.
4. Press the enter button or key to confirm the selection. The display reads: BALANCE.
5. Press the menu button to exit the menu.

Evolution 222 Preamplifier

MODEL

SERIAL NUMBER

Free Manuals Download Website

<http://myh66.com>

<http://usermanuals.us>

<http://www.somanuals.com>

<http://www.4manuals.cc>

<http://www.manual-lib.com>

<http://www.404manual.com>

<http://www.luxmanual.com>

<http://aubethermostatmanual.com>

Golf course search by state

<http://golfingnear.com>

Email search by domain

<http://emailbydomain.com>

Auto manuals search

<http://auto.somanuals.com>

TV manuals search

<http://tv.somanuals.com>