

OWNER'S MANUAL

C2-350x

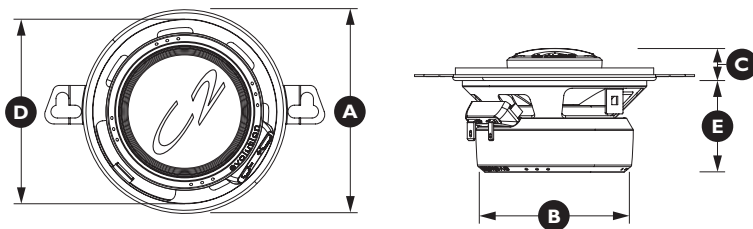
3.50-inch (90 mm) Coaxial Loudspeakers

*Thank you for choosing a JL Audio Evolution™ C2 Coaxial Speaker System
for your automotive sound system.*

These Evolution™ Speakers have been designed and manufactured to exacting standards in order to ensure years of musical enjoyment in your vehicle. For maximum performance, we highly recommend that you have your new speakers installed by an authorized JL Audio dealer. Your authorized dealer has the training, expertise and installation equipment to ensure optimum performance from this product. Should you decide to install the speakers yourself, please take the time to read this manual thoroughly so as to familiarize yourself with its installation requirements and setup procedures.

If you have any questions regarding the instructions in this manual or any aspect of your amplifier's operation, please contact your authorized JL Audio dealer for assistance. If you need further assistance, please call the JL Audio Technical Support Department at (954) 443-1100 during business hours.





Woofer Physical Dimensions

Woofer Physical Dimensions	
Frame Outer Diameter (A)	3.44 in. / 87.3 mm
Magnet Outer Diameter (B)	2.36 in. / 60.0 mm w/o cover
Frontal Tweeter Protrusion (C)	0.54 in / 13.8 mm
Mounting Hole Diameter (D)	3.19 in. / 81.0 mm
Mounting Depth (E)	1.50 in. / 38.1 mm w/o cover

Due to ongoing product development, all specifications are subject to change without notice.

C2-350x SPECIFICATIONS:

Woofer: Injection-molded, Mica-filled,
Polypropylene Cone, Polyether Foam Surround
0.75 in. Voice Coil on Kapton® Former, Symmetrical Roll Spider
Ferrite Magnet

Tweeter: 0.75 in. (19 mm) Silk Dome, Ferrofluid Cooling /
Damping Neodymium Magnet

Crossover: Natural Roll-Off Low-Pass, 1st Order High-Pass
Filter with Electrolytic Capacitor

Continuous Power Handling: 25 Watts

Recommended Amp Power: 10-40 Watts per channel (RMS)

Efficiency: 83.0 dB @ 1W/1m | 89.0 dB @ 1W/0.5m

Sensitivity: 86.0 dB @ 2.83V/1m

Nominal Impedance: 4 ohm

Frequency Response: 130 Hz - 22 KHz ± 3 dB

Included Components and Parts:

- Two C2-350x 3.5-inch (90mm) Coaxial loudspeakers
- Four #8 x 1 inch (25mm) sheet metal screws
- Four Mounting Clips
- Two 5.2 mm female crimpable connectors
- Two 2.8 mm female crimpable connectors

GETTING STARTED

- Turn off the audio system. It is also advisable to disconnect the negative (-) terminal of your vehicle's battery whenever performing installation work.
- Before cutting, drilling or inserting any screw, check clearances on both sides of the planned mounting surface. Also check for any potential obstacles, such as window tracks and motors, wiring harnesses, etc. Check both sides of the vehicle, many vehicles are not symmetrical!
- Always wear protective eyewear.

SPEAKER PLACEMENT CONSIDERATIONS

In most cases, your speakers will be placed into factory speaker locations. If you have some speaker mounting flexibility, keep the following in mind: Lower mounting locations, such as the lower front corner of a door or a kick-panel provide the greatest path length distances for the sound emitted by the speakers. For this reason, they are generally more desirable than higher mounting locations. Higher mounting locations will usually result in extreme near-side soundstage bias which compromises the stereo listening experience.

SPEAKER INSTALLATION

The speaker should be installed in one of the following ways depending on location:

Factory Location: If you will be using the factory speaker wires, it may be necessary to change the terminations. This may be accomplished by using an adaptor plug or simply by cutting the factory connector off and using the supplied crimp connectors to terminate the speaker wires. The large connector is for the positive terminal and the small connector is for the negative terminal of each C2-350x.

You may also choose to run new speaker wires... Run speaker wire to the desired mounting locations. If you are running wires into a door, use existing factory wiring boots whenever possible. If you are drilling new holes, file their edges and install rubber grommets into each hole. Wires should then be covered with a protective, flexible PVC sleeve and then run through the door jamb. Make sure that the wires will clear door hinges and other structures in the door. If you are unsure about any part of this process, please contact your JL Audio dealer for installation help.

!! WARNING

Double check the clearance for both speakers before proceeding. Many cars are different from one side to the other!

Your new speakers have been designed to install, without modifications, into most vehicles that accept a 3.5-inch (90 mm) speaker. Most factory 3.5-inch speakers use two mounting screws which will line up with the mounting holes on your C2-350x speakers.

It is absolutely vital that the speaker frame fits into the mounting hole cleanly. This must be checked prior to tightening the screws. Do not force the frame into a hole that is too small. Do not tighten the speaker onto an uneven surface. This will damage your speakers. The speaker should also fit so that air does not leak around the mounting flange. Air leaks will cause a severe degradation in sound quality. Seal any air leaks with an automotive-grade sealant material.

Install as shown in Diagram A (page 5). Use the supplied mounting clips unless the factory holes already feature threaded inserts. Hand-tighten the screws evenly to avoid bending the speaker frame!

Custom Location: Run speaker wire to the desired mounting location. If you are running wires into a door, use existing factory wiring boots whenever possible. If you are drilling new holes, file their edges and install rubber grommets into each hole. Then, cover the wires with a protective PVC sleeve and run them through the door jamb. Make sure that the wires will clear door hinges and other structures in the door. If you are unsure about any part of this process, please contact your JL AUDIO dealer for installation help.

!! WARNING

Double check the clearance for both speakers before proceeding. Many cars are different from one side to the other!

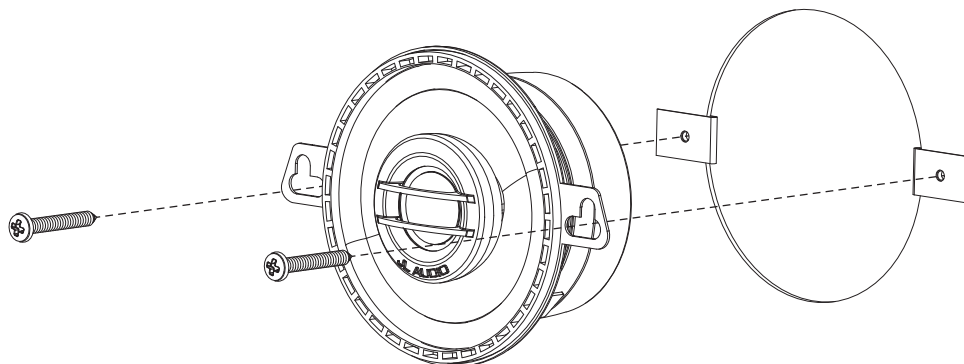
Select an even surface. Tightening a speaker onto an uneven surface can damage it. Use the supplied template to mark the desired mounting location. Mark the center and the outline of the mounting hole as well as the mounting screw positions. Before drilling or cutting on your interior panels, use a utility knife to cut any fabric, vinyl or leather from hole locations. These materials can easily be snagged by a drill or a saw, causing damage to the panel and possible bodily injury. Drill four 1/8-inch (3 mm) holes for the speaker's mounting screws at the positions you have marked. Also drill a pilot hole in the center of the speaker mounting hole at this time. Then, using a saber saw, make the circular cut out for the speaker. File any rough edges. Insert the mounting clips with the flat side towards the speaker as shown in Diagram A (page 5).

It is absolutely vital that the speaker frame fits into the mounting hole cleanly. This must be checked prior to tightening the screws. Do not force the frame into a hole that is too small. Do not tighten the speaker onto an uneven surface. This will damage your speakers. The speaker should also fit so that air does not leak around the mounting flange. Air leaks will cause a severe degradation in sound quality. Seal any air leaks with an automotive-grade sealant material.

Connect the speaker wires, observing correct polarity, and install the speaker as shown in Diagram A (page 5). Hand-tighten the screws evenly to avoid bending the speaker frame!

Because 3.5-inch speakers are rarely used for custom mounting, grilles are not supplied with the C2-350x speakers. Should you need them, you will need to purchase aftermarket grilles separately.

Diagram A:
Factory & Custom Location Woofer Installation



!! WARNING

Hand-tighten the screws evenly in a criss-cross pattern to avoid bending the speaker frame or stripping the mounting clips.

NOTES

LIMITED WARRANTY - AUTOMOTIVE SPEAKER SYSTEMS (USA)

JL AUDIO warrants these speakers (and crossover networks, where applicable) to be free of defects in materials and workmanship for a period of **one (1) year**.

This warranty is not transferable and applies only to the original purchaser from an authorized JL AUDIO dealer. Should service be necessary under this warranty for any reason due to manufacturing defect or malfunction, JL AUDIO will (at its discretion), repair or replace the defective product with new or remanufactured product at no charge. Damage caused by the following is not covered under warranty: accident, misuse, abuse, product modification or neglect, failure to follow installation instructions, unauthorized repair attempts, misrepresentations by the seller. This warranty does not cover incidental or consequential damages and does not cover the cost of removing or reinstalling the unit(s). Cosmetic damage due to accident or normal wear and tear is not covered under warranty.

Any applicable implied warranties are limited in duration to the period of the express warranty as provided herein beginning with the date of the original purchase at retail, and no warranties, whether express or implied, shall apply to this product thereafter. Some states do not allow limitations on implied warranties, therefore these exclusions may not apply to you. This warranty gives you specific legal rights, and you may also have other rights which vary from state to state.

If you need service on your JL AUDIO product:

All warranty returns should be sent to JL AUDIO freight prepaid through an authorized JL AUDIO dealer and must be accompanied by proof of purchase (a copy of the original sales receipt.) Direct returns from consumers or non-authorized dealers will be refused unless specifically authorized by JL AUDIO with a valid return authorization number. Warranty expiration on products returned without proof of purchase will be determined from the manufacturing date code. Coverage may be invalidated as this date is previous to purchase date. Return only defective components. If one speaker fails in a system, return only that speaker component, not the entire system. Non-defective items received will be returned freight-collect. Customer is responsible for shipping charges and insurance in sending the product to JL AUDIO. Freight damage on returns is not covered under warranty.

For Service Information in the U.S.A. please call

JL Audio Customer Service: (954) 443-1100

9:00 AM – 5:30 PM (Eastern Time Zone)

JL Audio, Inc

10369 North Commerce Pkwy.

Miramar, FL 33025

International Warranties:

Products purchased outside the United States of America are covered only by that country's distributor and not by JL Audio, Inc.

Free Manuals Download Website

<http://myh66.com>

<http://usermanuals.us>

<http://www.somanuals.com>

<http://www.4manuals.cc>

<http://www.manual-lib.com>

<http://www.404manual.com>

<http://www.luxmanual.com>

<http://aubethermostatmanual.com>

Golf course search by state

<http://golfingnear.com>

Email search by domain

<http://emailbydomain.com>

Auto manuals search

<http://auto.somanuals.com>

TV manuals search

<http://tv.somanuals.com>