

Stealthbox®

INSTALLATION GUIDE
for the

SB-T-TUNDCMAX/13TW5

SKU#94410

2007-Up Toyota Tundra CrewMax

This manual applies to both single and dual Stealthbox® installations.



Thank you for choosing a JL Audio Stealthbox® for your automotive sound system. With proper installation, your new vehicle-specific enclosed subwoofer system will deliver years of listening pleasure.

We strongly recommend that you have your new Stealthbox® installed by your authorized JL Audio dealer. The installation professionals employed by your dealer have the necessary tools and experience to disassemble and reassemble your vehicle properly. Also, keep in mind that your warranty coverage extends to 2 years if your system is installed or approved by your authorized JL Audio dealer. If you prefer to perform your own installation, please read this installation guide completely before beginning the process.

JL AUDIO®
Ahead of the Curve™

! IMPORTANT

If you choose to perform the installation yourself, it is absolutely vital that the Stealthbox® be properly mounted to the vehicle according to these instructions. Failure to mount the enclosure properly presents two problems:

- 1) The sub-bass performance will suffer due to the movement of the enclosure caused by the force exerted by the woofer(s).
- 2) A loose enclosure presents a serious safety hazard in the event of a collision or sudden deceleration.

INSTALLATION DIFFICULTY:

3 OUT OF **5**

ESTIMATED TIME:
2-3 HOURS



STEP 1

Remove anything stored behind the rear seats and fold both seats forward.

Test Stealthbox® for proper operation before continuing!

Using a Phillips head screwdriver remove the woofer(s) from the enclosure(s). **The grille(s) do not need to be removed from the woofer(s)!** They were removed in later pictures for this document but they do not need to be.



STEP 2

Along the outside of the plastic panel that covers the back of the cab on the drivers side, locate the seam between the back and, side panels. Line up the first (or only) enclosure with this seam.

If installing two enclosures, verify that there is adequate room between the first enclosure and the elevated part of the rear panel on the passengers side (as seen in the photo for **step (1)**) to fit the second enclosure.



STEP 3

Using a 1/8" drill, use the hole in the enclosure centered behind the woofer as a guide, to drill a hole through the plastic (**and only the plastic**) that covers the back of the cab.

CAUTION

Before drilling, always make sure that you are not going to be drilling into any gas lines, brake lines, transmission lines, electrical wiring, exhaust systems or anything else that might cause a reduction in your weekly pay. Always wear eye protection when drilling.

**STEP 4**

If installing two Stealthbox® enclosures, center the second enclosure between the first and the raised portion of the rear panel. Repeat **Step 3** for the second enclosure.

*****Please follow safe drilling procedures*****

After the guide hole is drilled, enlarge the hole in the Stealthbox® to 3/8", this hole will eventually mount the enclosure.

**STEP 5**

Remove the enclosure and ensure that the rear window of the truck is in the UP position. Using the hole that was drilled in **steps 3,4** as a guide, drill a 1/8" hole through the metal panel that is behind the interior plastic panel (make sure to drill a hole for each Stealthbox® installed). Use caution to drill only through the metal panel.

Repeat this step if installing second Stealthbox®.

*****Please follow safe drilling procedures*****



STEP 6 There are two anchors for cargo in the upper corners of the rear plastic trim panel. These two anchors need to be removed in order to remove the trim panel. To remove these, pull on the outside of the anchor top section it will pull out, allowing the anchor itself to collapse and be pulled out.

**STEP 6 (DETAIL)**

Remove the interior rear plastic trim panel. This panel is held in with push-in plastic fasteners that will pull out relatively easily when the panel itself is gently pulled from around the edges.

**STEP 7**

Enlarge the 1/8" holes previously drilled **step 3 and 4** in the plastic trim to 3/8".

**STEP 8**

Unplug the power harness from the rear window motor.

**STEP 9**

Remove metal rear cab panel (black panel) from the inside of the truck by removing all interior bolts from perimeter.

**STEP 10**

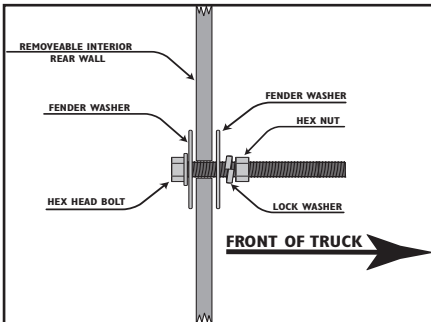
Now is an excellent opportunity to install some sound deadening material to the inside of the back of the cab of the truck. We also suggest covering the back of the metal panel that was just removed in **step 9** with a sound deadening material.

**STEP 11**

Enlarge 1/8" hole drilled in **step 5** through the metal panel to 3/8" as was done on the plastic panel. Repeat this step if installing second Stealthbox®.

**STEP 12**

Install included hardware as shown in the picture at left and the illustration below. Repeat this step if installing second Stealthbox®.

**STEP 12 (DETAIL)****STEP 13**

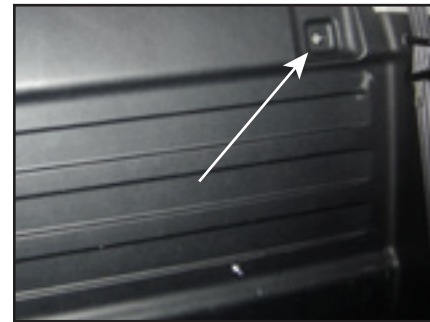
Tighten this hardware down using either a deep-well socket and a wrench (as shown) or two wrenches. You want to make sure that this hardware won't move, as this will be how the Stealthbox® is secured to the truck.

**STEP 14**

Reinstall rear interior metal panel, making sure the the bolt(s) that were installed in **Step 13** are facing forward. Use caution so that the cable that was un-plugged in **Step 8** does not get pinched between the removeable panel and the back of the cab. Plug the cable back in to where it was unplugged.

**STEP 15**

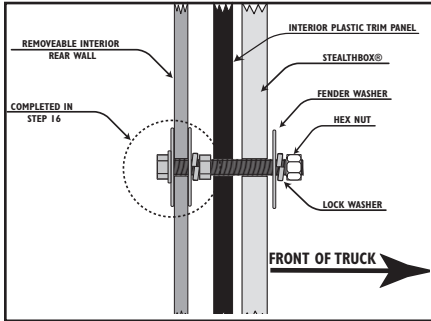
Re-install the rear plastic trim panel. We found that lining up the recently installed stud with the hole previously drilled in the panel to the outside (drivers side) made alignment easier. Ensure that all of the plastic plugs line up with their correct receptacles and press them in place. Continue towards the center of the truck. The rear panel can be installed in two pieces which may make alignment easier. Make sure that the second stud (for the second Stealthbox® if installed) and the rest of the plugs line up.

**STEP 16**

Re-install the two anchors that were removed in **Step 6**.

**STEP 17**

If installing two Stealthboxes®, install the driver side enclosure first. Align the enclosure so that the stud goes through the previously enlarged guide hole **Step 4**. Start the hardware on the stud using a large fender washer close to the fiberglass, a split lock washer then the nut (see **Step 18**). Be cautious not to overtighten the nut, it only needs to be snug.



STEP 18

This is a cross-sectional drawing showing the bolt from **step 13** also passing through the interior plastic trim panel and the Stealthbox®. The bolt then holds the Stealthbox® in place via the fender washer, split lock washer and nut. Again, be cautious not to overtighten the nut, it only needs to be snug.



STEP 19

We suggest wiring the enclosure at this point, it will be very hard (or impossible) to access the terminal cup if the second Stealthbox® is installed. Route the wire using a safe, secure method to the amplifier location. Always ensure that wires cannot be pinched or damaged along the path to the next component.

If installing two Stealthboxes®, we suggest wiring the second enclosure before mounting as the terminals will be much more accessible than after the enclosure is mounted. Repeat **steps 17-19** for the second Stealthbox®.



STEP 20

Place the bottom edge of the woofer on the enclosure, attach wires to the appropriate connectors. Lean the woofer back into location and make sure that wires do not get pinched either between the woofer and the enclosure or the securing hardware.



STEP 21

Use a sharp pointed object to align the woofer with the holes previously used to mount it, re-mount the woofer. Use a "crossing" pattern as if re-mounting a repaired flat tire. If installing two Stealthbox® enclosures, repeat this procedure in both enclosures. Again, the grilles did not need to be removed!

CONGRATULATIONS!

You have completed the installation for this model!

Enjoy your new Stealthbox®!
Please refer to the Power Recommendation section for an amplifier recommendation and basic set-up help.

INCLUDED HARDWARE PER STEALTHBOX®

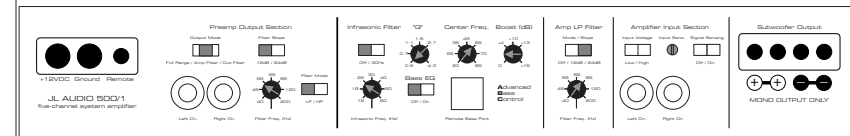
- (1) 3/8-16 X 1 1/2" Hex Head Bolt
- (3) 3/8 X 1 1/4" Fender Washer
- (2) 3/8" Split Lock Washer
- (2) 3/8 X 16 Hex Nut

SPECIFICATIONS

Enclosure Type: Acoustic Suspension (sealed)
Driver Type: 13TW5-3
Nominal Impedance: 3 ohms mono
Continuous Power Handling: 600 Watts

POWER RECOMMENDATION

JL Audio recommends using a high quality amplifiers such as the JL Audio 500/1v2. The 500/1v2 could be used for one or, two Stealthboxes. The ideal amplifier for two enclosures is the HD750/1. The diagram below shows the recommended crossover, infrasonic filter and equalizer settings for the 500/1v2 when being used to power your Stealthbox®.



The JL Audio 500/1v2 and the HD750/1 are very versatile audio components. Please consult the owner's manual for even more detailed information about installing and tuning these amplifiers.

MID/HIGH FREQUENCY DRIVER FITMENT

A variety of JL Audio coaxial and component systems will fit in the factory speaker locations of your vehicle.

Dash Speaker Size / JL Audio Model: 3.5" - TR350-CXi

Front Speaker Size / Location: 6"x 9" - Front Doors
Fits JL Audio Models: TR690-TXi, VR690-CXi

Rear Speaker Size / Location: 6.5" - Rear Door
Fits JL Audio Models: TR650-CXi, TR650-CSi, VR650-CXi, VR650-CSi, CS-650, C5-650x, ZR650-CSi



JL AUDIO®
Ahead of the Curve™

(954) 443-1100 www.jlaudio.com

All specifications are subject to change without notice. "JL Audio" and the JL Audio logo, "Stealthbox" and the Stealthbox logo are registered trademarks of JL Audio, Inc. "Ahead of the Curve" and its respective logo is a trademark of JL Audio, Inc.

JLA-SKU# 011266 8-12-2008 - Printed in USA - ©2007 JL Audio, Inc. - U.S. PATENTS: #5,734,734 #5,949,898 #6,118,884 #6,229,902 #6,243,479 #6,294,959 #6,501,844 #6,496,590 #6,441,685 #5,687,247 #6,219,431 #6,625,292 #D472,891 #D480,709 Other U.S. & Foreign patents pending.



Free Manuals Download Website

<http://myh66.com>

<http://usermanuals.us>

<http://www.somanuals.com>

<http://www.4manuals.cc>

<http://www.manual-lib.com>

<http://www.404manual.com>

<http://www.luxmanual.com>

<http://aubethermostatmanual.com>

Golf course search by state

<http://golfingnear.com>

Email search by domain

<http://emailbydomain.com>

Auto manuals search

<http://auto.somanuals.com>

TV manuals search

<http://tv.somanuals.com>