

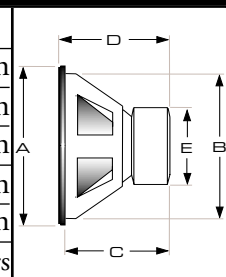
## Subwoofer Specifications

	8W6		10W6		12W6	
Fs (free-air resonance):	32.5 Hz		23.2 Hz		20.9 Hz	
Qts (total speaker "Q"):	0.466		0.432		0.433	
Qes (electrical "Q"):	0.511		0.463		0.462	
Qms (mechanical "Q"):	5.500		6.567		6.897	
Vas (equivalent compliance):	0.79 ft <sup>3</sup>	22.4 liters	2.30 ft <sup>3</sup>	65.1 liters	5.73 ft <sup>3</sup>	162.3 liters
Xmax (linear excursion one-way):	0.388 in.	9.9 mm	0.469 in.	11.9 mm	0.438 in.	11.1 mm
Efficiency (1W/1m)*:	83.6 dB		84.2 dB		86.9 dB	
Sd (effective piston surface area):	30.7 in <sup>2</sup>	0.0198 m <sup>2</sup>	53.6 in <sup>2</sup>	0.0346 m <sup>2</sup>	82.5 in <sup>2</sup>	0.0532 m <sup>2</sup>
Re (DC resistance):	10.6 Ω (in series)		10.8 Ω (in series)		10.8 Ω (in series)	
Znom (nominal impedance):	Dual 6 Ω		Dual 6 Ω		Dual 6 Ω	
Pt (continuous thermal power handling):	200 Watts		300 Watts		300 Watts	

\*Efficiency (1W/1m) is not an accurate indicator of a subwoofer's output capability and should not be used as a comparison to other subwoofers to determine which one is "louder"!

## Physical Dimensions

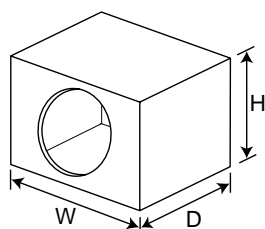
	8W6		10W6		12W6	
Frame Diameter (A):	8.25 in.	209.55 mm	10.125 in.	257.17 mm	12.25 in.	311.15 mm
Mounting Hole Diameter (B):	7 in.	177.8 mm	9.125 in.	231.77 mm	11.0625 in.	280.98 mm
Mounting Depth (C):	4.25 in.	107.95 mm	4.875 in.	123.82 mm	5.625 in.	142.87 mm
Overall Depth (D):	4.6875 in.	119.06 mm	5.5 in.	139.7 mm	6.5 in.	165.1 mm
Magnet Diameter (E):	4.875 in.	123.82 mm	6.5 in.	165.1 mm	6.5 in.	165.1 mm
Displacement:	0.035 ft <sup>3</sup>	0.989 liters	0.06 ft <sup>3</sup>	1.696 liters	0.085 ft <sup>3</sup>	2.403 liters



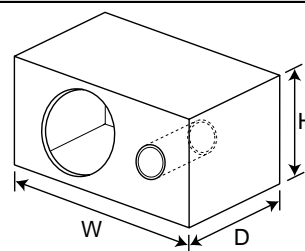
Be sure to allow 0.75 inches (19mm) for pole vent clearance on this driver.

## Normal Recommended Enclosures (single driver)

Model	8W6		10W6		12W6	
	Volume (Net Int.)	width X height X depth	Volume (Net Int.)	width X height X depth	Volume (Net Int.)	width X height X depth
Sealed Enclosure	0.375 ft <sup>3</sup>	16" x 9" x 8"	0.625 ft <sup>3</sup>	18" x 11" x 9"	1.25 ft <sup>3</sup>	18" x 13" x 13.75"
	10.61	406mm x 229mm x 203mm	17.71	457mm x 279mm x 229mm	35.41	457mm x 330mm x 349mm
Ported Enclosure	0.625 ft <sup>3</sup>	15" x 10" x 12.25"	1.00 ft <sup>3</sup>	17" x 12" x 13.75"	2.25 ft <sup>3</sup>	20" x 14" x 17.75"
	17.71	381mm x 254mm x 311mm	28.31	432mm x 305mm x 349mm	63.71	508mm x 356mm x 451mm
Port (inside dia. X length)	2.5" X 15.4" 64mm X 391mm		3" X 18.6" 76mm X 472mm		TWO 2.5" X 13.6" TWO 64mm X 345mm	

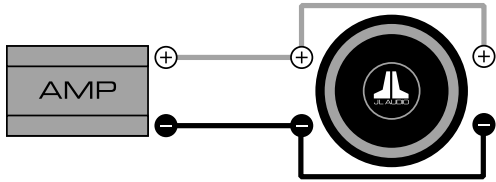


Sealed Enclosure

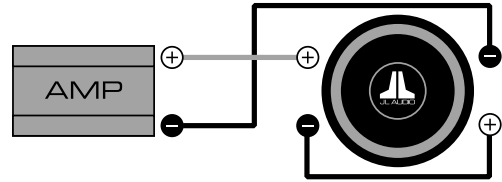


Ported Enclosure

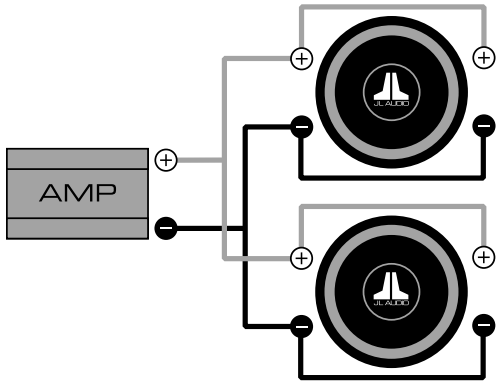
- Enclosure dimensions listed are external dimensions which assume the use of 0.75 inch (19mm) thick material. If you are using 0.625 inch (16mm) thick material, subtract 0.25 inches (6.5mm) from each dimension. Do not use material with a thickness of less than 0.625 inches (16mm).
- Enclosure volumes listed are NET internal volumes. Driver displacement, port displacement and brace displacement must be added to obtain the final gross volume. The dimensions listed have already taken this into account.
- When using two subwoofers in a common enclosure simply double the required volumes and use two of the recommended ports (when needed). Likewise, when using three subwoofers in a common enclosure simply triple the required volume and number of ports (when needed).



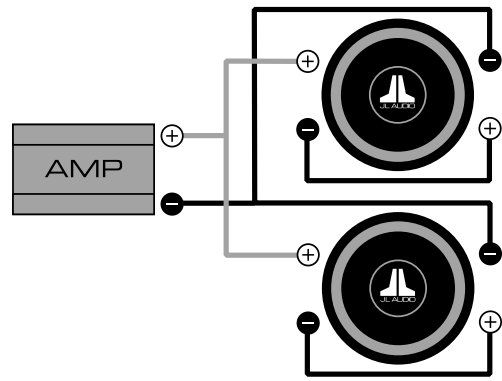
With coils wired in parallel, a dual 6Ω speaker will present a 3Ω load.



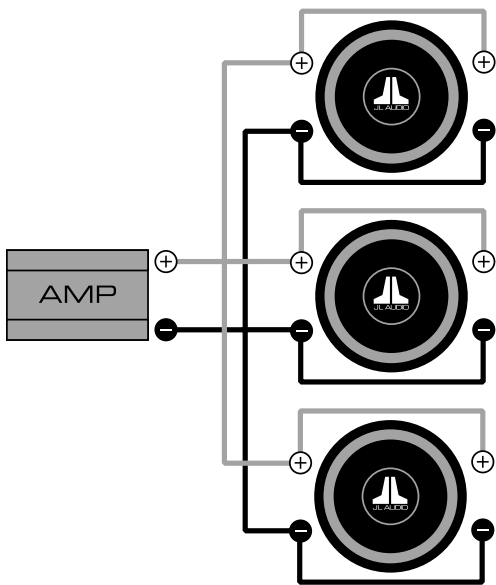
With coils wired in series, a dual 6Ω speaker will present a 12Ω load.



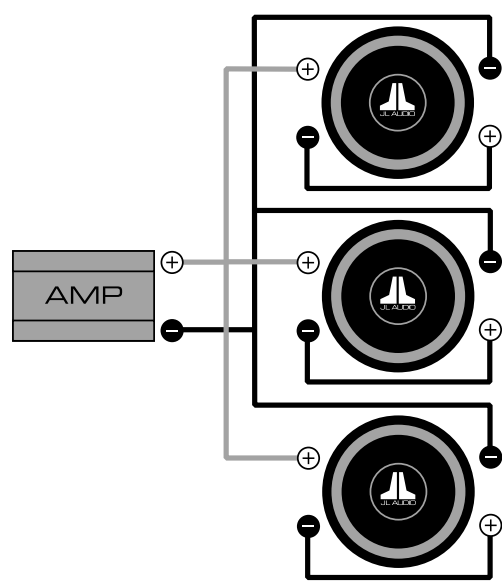
With coils AND speakers wired in parallel:  
2 dual 6Ω speakers (D6) will present a 1.5Ω load.



With the coils wired in series and the speakers wired in parallel:  
2 dual 6Ω speakers (D6) will present a 6Ω load.



With coils AND speakers wired in parallel:  
3 dual 6Ω speakers (D6) will present a 1Ω load.



With the coils wired in series and the speakers wired in parallel:  
3 dual 6Ω speakers (D6) will present a 4Ω load.

- Do NOT use different impedance speakers when using multiple subwoofers!
- JL Audio recommends using subwoofers as part of a bi-amplified system using high quality satellite speakers like our Evolution line of coaxial and component speakers. We do not recommend the use of passive crossover components (coils) on subwoofers. These components may adversely affect the performance of a subwoofer.
- When dealing with exceedingly long port lengths, we recommend the use of JL Audio's Flex-Port System. The Flex-Port tubing is flexible, allowing it to fit in otherwise tight locations. The Port mouths provide not only a convenient method of securing the port, but a smooth, rounded edge for the port termination as well.

## Free Manuals Download Website

<http://myh66.com>

<http://usermanuals.us>

<http://www.somanuals.com>

<http://www.4manuals.cc>

<http://www.manual-lib.com>

<http://www.404manual.com>

<http://www.luxmanual.com>

<http://aubethermostatmanual.com>

Golf course search by state

<http://golfingnear.com>

Email search by domain

<http://emailbydomain.com>

Auto manuals search

<http://auto.somanuals.com>

TV manuals search

<http://tv.somanuals.com>