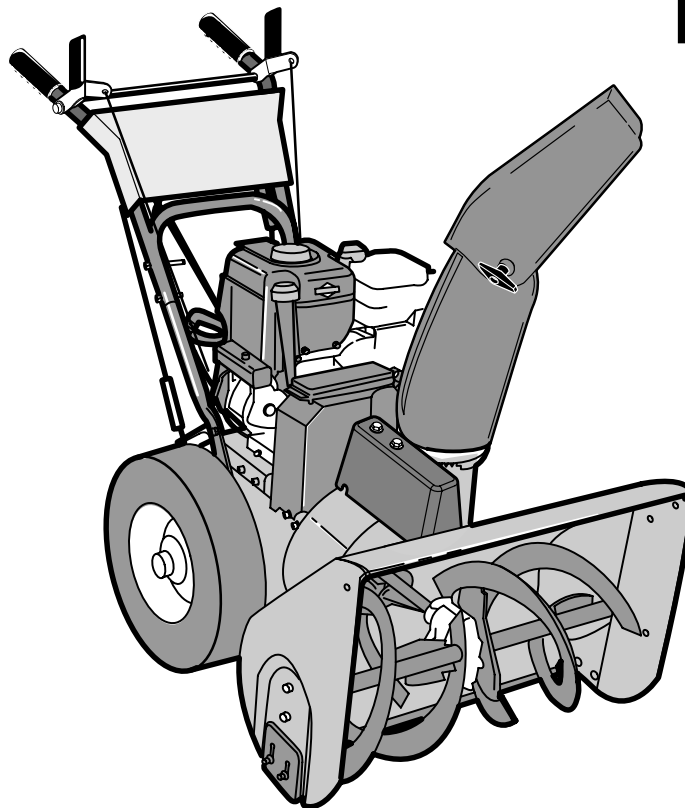


ST0726 Snow Thrower

OPERATOR'S MANUAL



MTF-031071L

F FRONTIER
EQUIPMENT™

INTRODUCTION

Congratulations on your purchase of a Frontier Snowthrower. It has been designed, engineered and manufactured to give you the best possible dependability and performance. However, like all mechanical products, your machine will occasionally require adjustment and maintenance. This handbook should be read before operating or performing adjustments on your machine.

The instructions in this Owner's Manual are written for a person with some mechanical ability. Like most service books, not all the steps are described. Steps on how to loosen or tighten fasteners are steps anyone can follow with some mechanical ability. Read and follow these instructions before you use the unit.

Know your product:: If you understand the unit and how the unit operates, you will get the best performance. As you read this manual, compare the illustrations to the unit. Learn the location and the function of the controls. To help prevent an accident, follow the operating instructions and the safety rules. Keep this manual for future reference.

IMPORTANT: Many units are not assembled and are sold in cartons. It is the responsibility of the owner to make sure the assembly instructions in this manual are exactly followed. Other units are purchased in an assembled condition. On assembled units, it is the responsibility of the owner to make sure the unit is correctly assembled. The owner must carefully check the unit according to the instructions in this manual before it is first used.

The warranty, found in this manual, details the coverage and limitations of this product. **Registration of the warranty is necessary and must be preformed by the dealer within sixty (60) days from the date of retail sale or delivery.** The Warranty Registration Form is located on the Frontier website.

RESPONSIBILITY OF THE OWNER

The responsibility of the owners to follow the instructions below.

1. Carefully read and follow the rules for safe operation.
2. Follow all the assembly instructions.
3. Inspect the unit.
4. Make sure that the operator of the unit knows how to correctly use all standard and accessory equipment.
5. Operate the unit only with guards, shields, and other safety items in place and working correctly.
6. Correctly adjust the unit.
7. Service the unit only with authorized or approved replacement parts.
8. Complete all maintenance on the unit.

PRODUCT INFORMATION

The owner must be certain that all the product information is included with this unit.

This information includes the *INSTRUCTION BOOKS*, the *REPLACEMENT PARTS* and the *WARRANTIES*. This information must be included to make sure state laws and other laws are followed.

**Read And Keep This Book For
Future Reference. This Book Contains Important Information On:
*SAFETY, ASSEMBLY, OPERATION AND MAINTENANCE.***

RULES FOR SAFE OPERATION

IMPORTANT



WARNING: Always disconnect the spark plug wire and place it where it cannot make contact with spark plug to prevent accidental starting during: Preparation, Maintenance, or Storage of your snowthrower.



Safe Operation Practices for Snowthrowers As Recommended By: American National Standards Institute.



WARNING:



Engine Exhaust, some of its constituents, and certain vehicle components contain or emit chemicals known to the State of California to cause cancer and birth defects or other reproductive harm.

Battery posts, terminals and related accessories contain lead and lead compounds, chemicals known to the State of California to cause cancer and birth defects or other reproductive harm. WASH HANDS AFTER HANDLING.

IMPORTANT: Safety standards require operator presence controls to minimize the risk of injury. Your snowthrower is equipped with such controls. Do not attempt to defeat the function of the operator presence control under any circumstances.

Training

1. Read the operating and service instruction manual carefully. Be thoroughly familiar with the controls and the proper use of the equipment. Know how to stop the unit and disengage the controls quickly.
2. Never allow children to operate the equipment. Never allow adults to operate the equipment without proper instruction.
3. Keep the area of operation clear of all persons, particularly small children and pets.
4. Exercise caution to avoid slipping or falling especially when operating in reverse.

Preparation

1. Thoroughly inspect the area where the equipment is to be used and remove all doormats, sleds, boards, wires, and other foreign objects.
2. Disengage all clutches before starting the engine (motor).
3. Do not operate the equipment without wearing adequate winter outer garments. Wear footwear that will improve footing on slippery surfaces.
4. Handle fuel with care; it is highly flammable.

- a. Use an approved fuel container.
 - b. Never remove fuel tank cap or add fuel to a running engine (motor) or hot engine (motor).
 - c. Fill fuel tank outdoors with extreme care. Never fill fuel tank indoors.
 - d. Replace fuel cap securely and wipe up spilled fuel.
 - e. Never store fuel or snowthrower with fuel in the tank inside of a building where fumes may reach an open flame or spark.
 - f. Check fuel supply before each use, allowing space for expansion as the heat of the engine (motor) and/or sun can cause fuel to expand.
5. For all units with electric starting motors use electric starting extension cords certified CSA/UL. Use only with a receptacle that has been installed in accordance with local inspection authorities.
 6. Adjust the snowthrower height to clear gravel or crushed rock surface.
 7. Never attempt to make any adjustments while the engine (motor) is running (except when specifically recommended by manufacturer).
 8. Let engine (motor) and snowthrower adjust to outdoor temperatures before starting to clear snow.
 9. Always wear safety glasses or eye shields during operation or while performing an adjustment or repair to protect eyes from foreign objects that may be thrown from the snowthrower.

Operation

1. Do not operate this machine if you are taking drugs or other medication which can cause drowsiness or affect your ability to operate this machine.
2. Do not use this machine if you are mentally or physically unable to operate this machine safely.
3. Do not put hands or feet near or under rotating parts. Keep clear of the discharge opening at all times.
4. Exercise extreme caution when operating on or crossing gravel drives, walks or roads. Stay alert for hidden hazards or traffic.
5. After striking a foreign object, stop the engine (motor), remove the wire from the spark plug, thoroughly inspect snowthrower for any damage, and repair the damage before restarting and operating the snowthrower.
6. If the unit should start to vibrate abnormally, stop the engine (motor) and check immediately for the cause. Vibration is generally a warning of trouble.

RULES FOR SAFE OPERATION

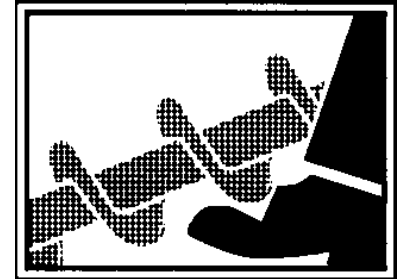
7. Stop the engine (motor) whenever you leave the operating position, before unclogging the auger/impeller housing or discharge chute and when making any repairs, adjustments, or inspections.
8. When cleaning, repairing, or inspecting, make certain the auger/impeller and all moving parts have stopped and all controls are disengaged. Disconnect the spark plug wire and keep the wire away from the spark plug to prevent accidental starting.
9. Take all possible precautions when leaving the snowthrower unattended. Disengage the auger/ impeller, stop engine (motor), and remove key.
10. Do not run the engine (motor) indoors, except when starting the engine (motor) and for transporting the snowthrower in or out of the building. Open the outside doors; exhaust fumes are dangerous (containing CARBON MONOXIDE, an ODORLESS and DEADLY GAS).
11. Do not clear snow across the face of slopes. Exercise extreme caution when changing direction on slopes. Do not attempt to clear steep slopes.
12. Never operate the snowthrower without proper guards, plates or other safety protective devices in place.
13. Never operate the snowthrower near enclosures, automobiles, window wells, drop-offs, and the like without proper adjustment of the snow discharge angle. Keep children and pets away.
14. Do not overload the machine capacity by attempting to clear snow at too fast a rate.
15. Never operate the machine at high transport speeds on slippery surfaces. Look behind and use care when backing up.
16. Never direct discharge at bystanders or allow anyone in front of the unit.
17. Disengage power to the collector/impeller when snowthrower is transported or not in use.
18. Use only attachments and accessories approved by the manufacturer of the snowthrower (such as tire chains, electric start kits, ect.).
19. Never operate the snowthrower without good visibility or light. Always be sure of your footing and keep a firm hold on the handles. Walk; never run.
20. Do not over- reach. Keep proper footing and balance at all times.
21. Exercise caution if operating on steep sloping surfaces.
22. This snowthrower is for use on sidewalks, driveways and other ground level surfaces.
23. Do not use the snowthrower on surfaces above ground level such as roofs of residences, garages, porches or other such structures or buildings.

Maintenance And Storage

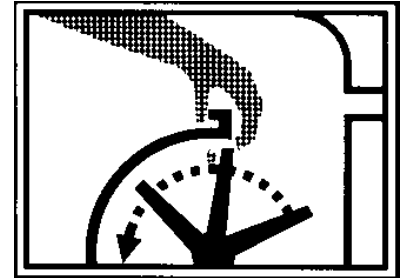
1. Check shear bolts and other bolts at frequent intervals for proper tightness to be sure the equipment is in safe working condition.
2. Never store the snowthrower with fuel in the tank inside a building where ignition sources are present such as hot water and space heaters, clothes dryers, and the like. Allow the engine (motor) to cool before storing in any enclosure.
3. Always refer to operator's guide instructions for important details if the snowthrower is to be stored for an extended period.
4. Maintain or replace safety and instruction labels, as necessary.
5. Run the snowthrower a few minutes after throwing snow to prevent freeze-up of the auger/impeller.



WARNING: Avoid injury from rotating auger- keep hands, feet, and clothing away.



WARNING: Do not use hands to unclog discharge chute.





- Stop engine/motor before removing debris.
- Do not walk in front of running machine.
- Do not discharge at bystanders.
- Keep people and pets a safe distance from the machine.
- Before leaving machine, shut off engine/ motor and remove key.

TABLE OF CONTENTS

| | |
|---|-----------|
| SAFETY DECALS | 6 |
| WARRANTY | 7 |
| OWNER'S INFORMATION | 7 |
| ASSEMBLY | 8 |
| TOOLS REQUIRED FOR ASSEMBLY | 8 |
| CONTENTS OF SHIPPING CARTON | 8 |
| PARTS BAGS CONTENTS | 8 |
| UNPACKING | 9 |
| UPPER HANDLE AND CRANK ASSEMBLY | 10 |
| CHECK THE CABLES | 10 |
| HOW TO SET THE LENGTH OF THE CABLES | 10 |
| SNOW CHUTE ASSEMBLY | 11 |
| SHIFTER LEVER KNOB ASSEMBLY | 11 |
| IMPORTANT! BEFORE YOU START OPERATING | 11 |
| OPERATION | 12 |
| ENGINE AND SNOWTHROWER CONTROLS | 12 |
| SNOWTHROWER OPERATION | 13 |
| WHEEL LOCK OUT PIN | 14 |
| HOW TO REMOVE SNOW FROM AUGER | 15 |
| HOW TO SET THE DRIFT CUTTERS | 15 |
| BEFORE STARTING ENGINE | 16 |
| TO START ENGINE | 17 |
| OPERATING TIPS | 18 |
| SERVICE RECOMMENDATIONS | 19 |
| MAINTENANCE | 20 |
| LUBRICATION | 20 |
| ENGINE | 22 |
| AUGER HOUSING HEIGHT ADJUSTMENT | 23 |
| BELT ADJUSTMENT | 24 |
| HOW TO REPLACE THE BELTS | 25 |
| BELT GUIDE ADJUSTMENT | 27 |
| TRACTION DRIVE CABLE ADJUSTMENT | 28 |
| HOW TO ADJUST OR REPLACE THE FRICTION WHEEL | 29 |
| HOW TO REMOVE THE SNOW HOOD | 32 |
| AUGER SHEAR BOLT REPLACEMENT | 33 |
| TO ADJUST OR REPLACE THE SPARK PLUG | 33 |
| STORAGE | 34 |
| TROUBLE SHOOTING CHART | 35 |
| REPLACEMENT PARTS | 36 |
| PARTS SCHEMATICS | 37 |
| SPECIFICATIONS | 56 |

SAFETY DECALS

 **WARNING:** If safety decals are damaged or missing, replace immediately. 

 **Look for this symbol to indicate important safety precautions. This symbol indicates: "Attention! Become Alert! Your Safety Is At Risk."**

Before operation of your snowthrower, read the safety decals as shown on your snowthrower. The cautions and warnings are for your safety. To avoid a personal injury or damage to your snowthrower, understand and follow all safety decals. If you have any questions regarding the meaning or how to comply with the instructions, do not operate until you understand the purpose for the warning or danger given in the safety decal. If you do not understand

the meaning, then thoroughly read all safety and operation instructions in this Owner's Manual or contact your local dealer.

If any safety decals become worn or damaged and cannot be read, order replacement decals from your local dealer.

Identifying Your Snowthrower

The snowthrower has two (2) identifying numbers: (1) unit model number: (2) unit serial number. The two preceding numbers are required to insure that the proper replacement parts are obtained when required. If you have any questions concerning parts, service, or technical data, contact the dealer where the unit was purchased. For complete warranty information refer to the warranty in the Owner's Information section of this manual.

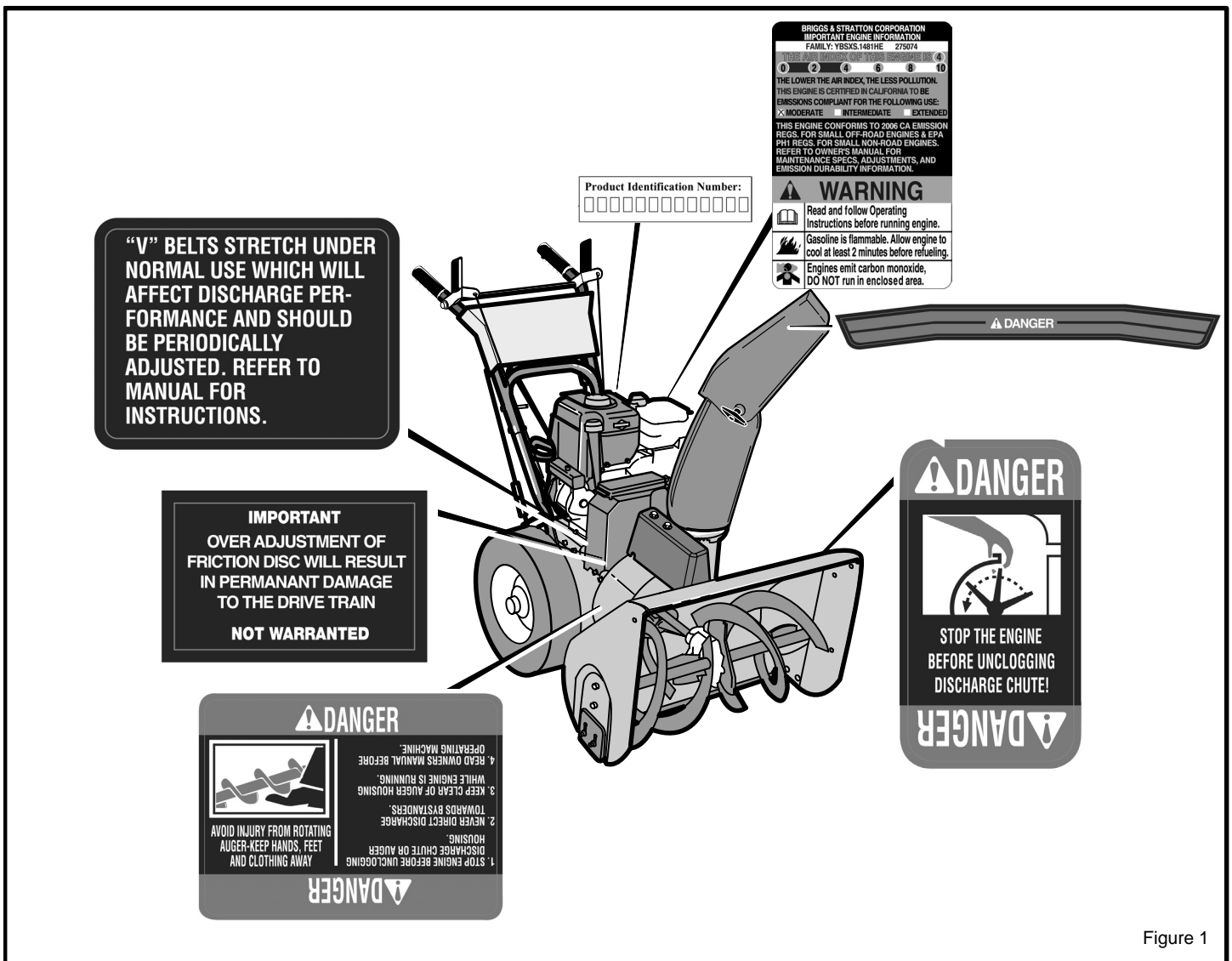


Figure 1

OWNER'S INFORMATION

THREE YEAR LIMITED WARRANTY

Murray warrants to the original purchaser of this Frontier Branded Snowthrower that this unit shall be free from defects in material and workmanship under normal use and service for a period of **Three (3) Year** from the date of purchase; however, this warranty does not cover accessories (such as electric starters) and Normal Wear Parts (except as noted below) as the companies that manufacture these items furnish their own warranties and provide service through their authorized field service facilities. For additional information, see the warranties covering these particular parts. If you are uncertain whether your unit contains or is equipped with one or more of these parts, consult your dealer prior to purchase. Subject to the terms and conditions noted in this Limited Warranty, we shall, at our option, repair or replace at no cost to the original purchaser any part covered by this Limited Warranty during the applicable warranty period.

Normal Wear Parts are defined as drive belts, augers, shear pins, tires and headlights. These parts are warranted to be free from defects in material and workmanship as delivered with the product. Any claim for repair or replacement of Normal Wear Parts must be made within thirty (30) days of the date of purchase. No claims involving damage caused from material use, abuse or misuse will be honored.

This Murray **Three (3) Year Limited Warranty** for your Frontier Branded Snowthrower is your exclusive remedy; however, this warranty is void or does not apply to any unit that has been tampered with, altered, misused, abused. If used for commercial and/or professional (non-homeowner) uses, the duration of this warranty is ninety (90) days after the date of purchase. Your warranty does not cover minor mechanical adjustments which are not due to any defect in material or workmanship. For assistance in making such adjustments, consult your Operator's Manual.

The engine on this Frontier Branded Snowthrower is warranted to the original purchaser for a **Three (3) Year Limited Warranty** by the equipment manufacturer. See your engine manual for information regarding the warranty policy and items covered under warranty. See your authorized John Deere/Frontier Dealer for service or replacement parts. **MB**

To make a claim under this Murray **Three (3) Year Limited Warranty** for your Frontier Branded Snowthrower, return the unit (or if authorized in advance, the defective part) along with your proof of purchase to an Authorized John Deere/Frontier Dealer near you. To locate the nearest Authorized John Deere/Frontier Dealer, check the Yellow Page listings in your local telephone directory. If you return the entire unit, John Deere/Frontier will repair all warranty items. If authorize to return the defective part only, John Deere/Frontier will either replace or repair the part. This Murray **Three (3) Year Limited Warranty** for your Frontier Branded Snowthrower gives you specific legal rights, and you may also have other rights which vary from state to state. **This Limited Warranty is given in lieu of all other expressed and implied warranties including the implied warranty of merchantability and warranty of fitness for a particular purpose.** If you need additional information on this written warranty or assistance in obtaining service, contact you local John Deere/Frontier Dealer.

FOR YOUR RECORDS

DATE PURCHASED: _____

MODEL NO: _____

SERIAL NO: _____

STORE WHERE PURCHASED: _____

ADDRESS: _____

CITY: _____ STATE: _____

TELEPHONE : _____

Record this information about your unit so that you will be able to provide it in case of loss or theft.

ASSEMBLY

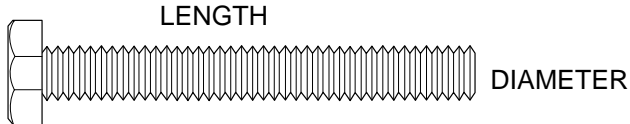
TOOLS REQUIRED FOR ASSEMBLY

- 1 - Knife
- 2 - 1/2" wrenches (or adjustable wrenches)
- 2 - 9/16" wrenches (or adjustable wrenches)
- 2 - 3/4" wrenches (or adjustable wrenches)
- 1 - 3/8" wrenches (or adjustable wrenches)
- 1 - Pair pliers or screw driver (to spread cotter pin)

CONTENTS OF SHIPPING CARTON

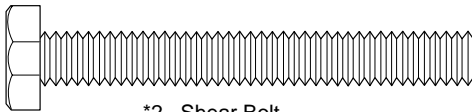
- 1- Snowthrower
- 1- Container of Fuel Stabilizer (Located in Parts Bag)
- 1- Snow Chute Assembly
- 1- Crank Assembly
- 1- Parts Bag

HOW TO MEASURE SCREW SIZE

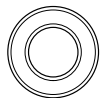


WARNING: Always wear safety glasses or eye shields while assembling snowthrower.

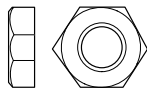
PARTS BAGS CONTENTS:



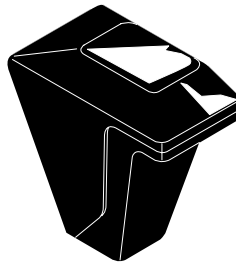
*2- Shear Bolt



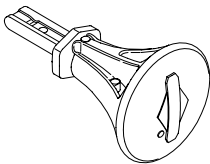
* 2-Spacer



*2- Nut



1 - Shift Lever Knob
(not actual size)



1 - Ignition Keys

* Non Assembly parts are found in toolbox located on top of belt cover.

ASSEMBLY

Figure 2 shows the snowthrower in the shipping position.

Figure 3 shows the snowthrower completely assembled.

Reference to right and left hand side of the snowthrower is from the operator's position at the handle.

UNPACKING

1. Locate the two tear tabs at the bottom of the carton.
2. Pull the tear tape no more than twelve inches (30.48cm.) at a time. Re-grasp tape next to the carton and pull again. Repeat until all the tape is torn off.
3. After the tape has been completely removed from the carton, remove the carton from the base. Cut all four corners and fold the sides toward the center for easy disposal.
4. Remove the plastic bag that covers the unit.
5. Locate and remove the parts bag.

NOTE: Set the fuel stabilizer aside until adding gasoline to the fuel tank. We recommend that fuel stabilizer is added to the fuel each time that gasoline is added to the fuel tank.

6. For shipping purposes, the **height adjust skids** are attached to the pallet. Remove the **screw** that secures each **height adjust skid** to the pallet. (See Figure 2).
7. Roll the snowthrower off the carton by pulling on the lower handle.

CAUTION: DO NOT back over cables.

8. Remove the packing material from the handle assembly.
9. Cut ties securing the clutch control cables to the lower handle.

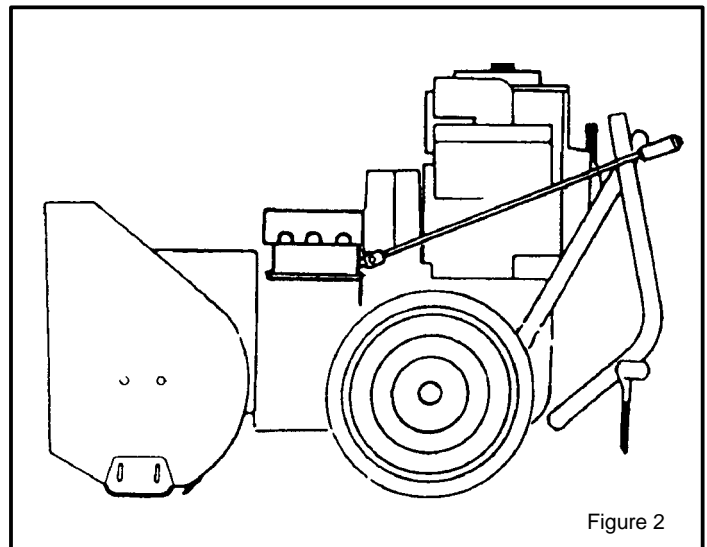


Figure 2

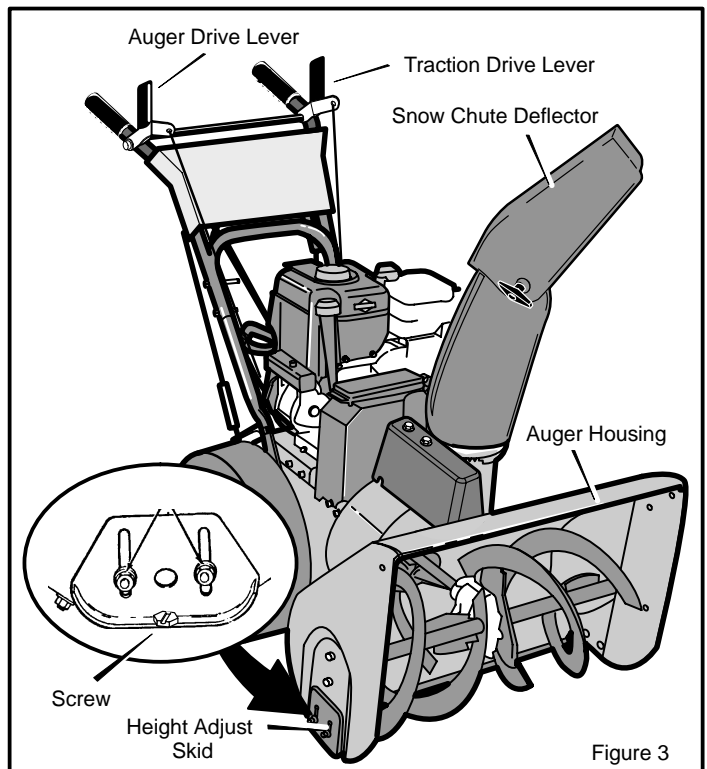


Figure 3

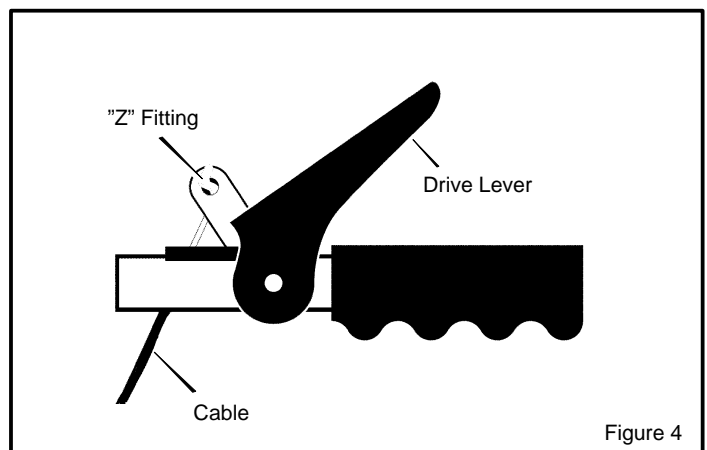


Figure 4

ASSEMBLY

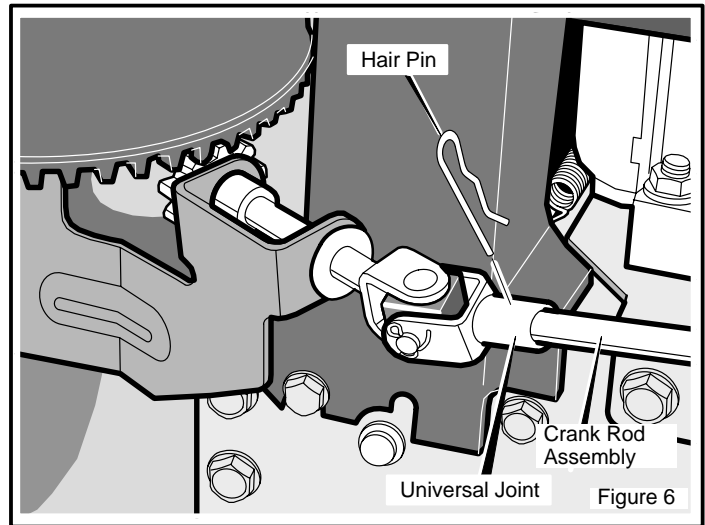
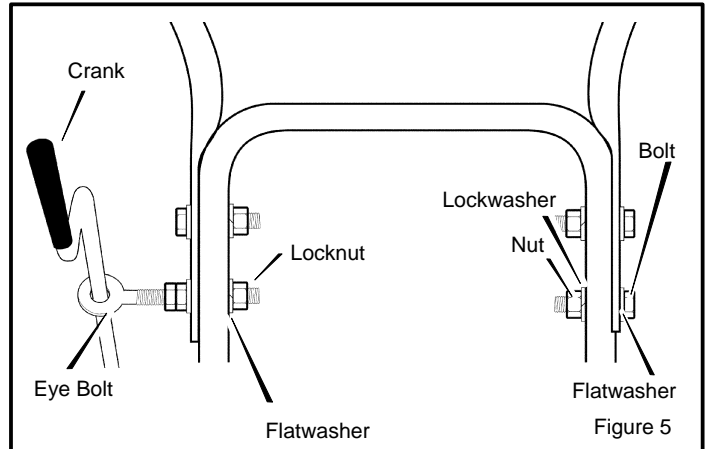
UPPER HANDLE AND CRANK ASSEMBLY

1. Loosen, but do not remove the screws, flatwashers, lockwashers and hex nuts in the upper holes of the lower handle.
2. Remove the fasteners and the crank assembly eyebolt from the lower holes of the lower handle.
3. Raise upper handle into operating position. Upper handle should be to the outside of the lower handle.

NOTE: Make sure the cables are not caught between the upper and lower handle.

4. Install the fasteners and the crank assembly eyebolt that were removed in step 2. DO NOT tighten until all fasteners are in place.
5. Attach the crank rod to the universal joint assembly with the hair pin (see Figure 6).
6. Tighten nut on eye bolt. Make sure eye bolt is properly aligned and the crank can freely rotate.
7. Tighten all handle bolts.

NOTE: Make sure crank does not touch carburetor cover.

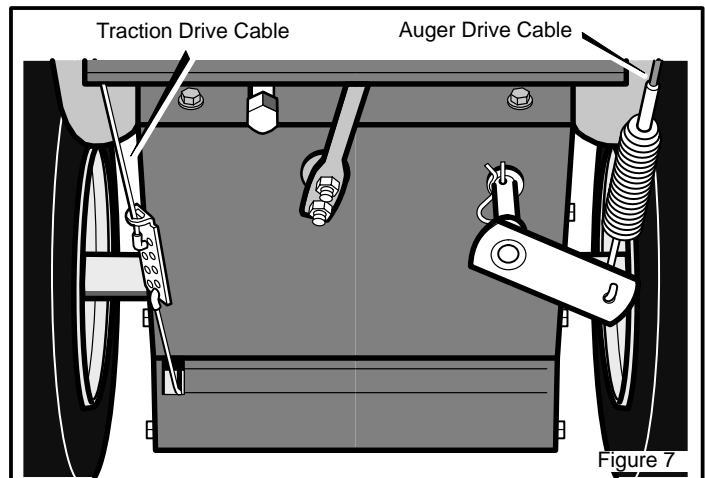


CHECK THE CABLES

1. If control cables have become unattached from motor mount frame, reconnect cables as shown in Figure 7.
2. For cable adjustments, see "How To Check And Adjust The Cables" in the MAINTENANCE section.

HOW TO SET THE LENGTH OF THE CABLES

The cables were adjusted at the factory and no adjustments should be necessary. However, after the handles are put in the operating position, the cables can be too tight or too loose. If an adjustment is necessary, see "How To Check And Adjust The Cables" in the MAINTENANCE section.

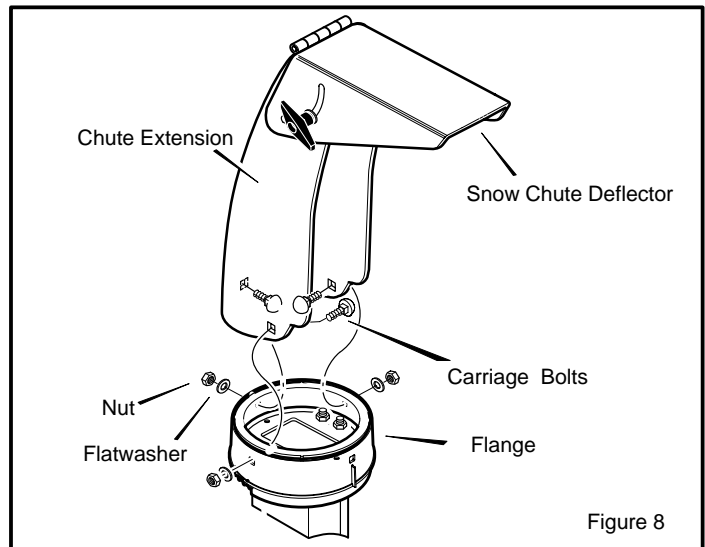


ASSEMBLY

SNOW CHUTE ASSEMBLY

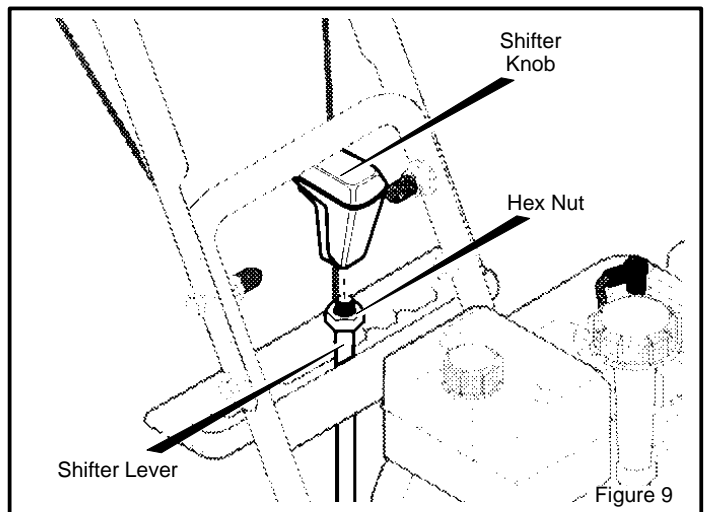
1. Position the snow chute onto the snow chute flange. Align the three holes in the snow chute with holes in snow chute flange. (See Figure 8)
2. Place three 5/16-18 carriage bolts from inside of chute as shown in Figure 8. (hardware is found in parts bag)
3. Place three 5/16-18 flatwashers and three 5/16-18 nuts on outside of flange.
4. Tighten all carriage bolts securely.

NOTE: DO NOT overtighten carriage bolts.



SHIFTER LEVER KNOB ASSEMBLY

1. Thread the **shifter knob** onto the threaded end of the shifter lever until it is snug against the hex nut and the lip is pointed away from the engine (See Figure 9). On some models, the **shifter knob** is attached.
2. Tighten hex nut against the bottom of the shifter lever knob.



CHECK THE TIRES

The tires were over inflated for shipment. Check the tire pressure in the tires. See the sidewall of the tire for the proper inflation.

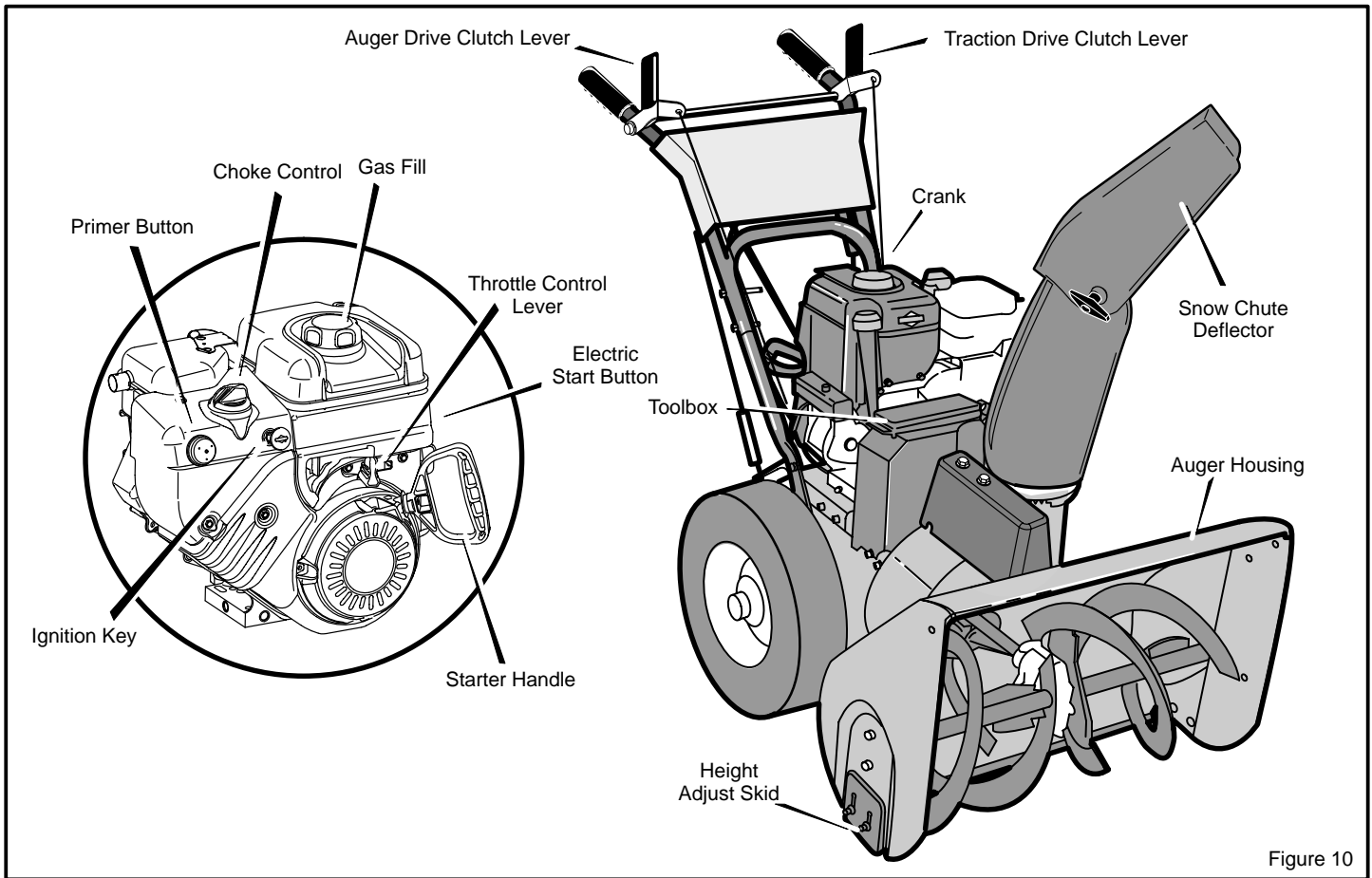
IMPORTANT! BEFORE YOU START OPERATING

- Check the fasteners. Make sure all fasteners are tight.
- On electric start models, the unit was shipped with the starter cord plugged into the engine. Before operating, unplug the starter cord from the engine.

NOTE: This snowthrower was shipped WITH OIL in the engine. See "Before Starting Engine" instructions in the Operation section of this manual before starting engine.

OPERATION

READ THIS OWNER'S MANUAL AND SAFETY RULES BEFORE OPERATING YOUR SNOWTHROWER. Compare the illustrations with your SNOWTHROWER to familiarize yourself with the location of various controls and adjustments. Save this manual for future reference.



ENGINE AND SNOWTHROWER CONTROLS

ENGINE CONTROLS

Throttle Control Lever - Controls the engine speed.

Choke Control- Use to start a cold engine.

Electric Start Button - Used to start the engine using the 120 volt electric starter.

Prime Button - Used to inject fuel directly into carburetor manifold to insure fast starts in cool weather.

Ignition Key - Must be inserted to start engine. Pull out to stop. Do not turn ignition key.

Starter Handle - Starts the engine manually.

SNOWTHROWER CONTROLS

Speed Select Lever - Allows the operator to use one of six (6) forward and two (2) reverse speeds. To shift, move speed select lever to desired position.

NOTE: Do not move speed select lever while Traction Drive Clutch is engaged. This may result in severe damage to drive system.

Auger Drive Clutch Lever - Used to engage and disengage the auger and impeller. To engage push down, to disengage release.

Traction Drive Clutch Lever - Used to propel snowthrower forward or reverse. Push down to engage, release to disengage.

Snow Chute Deflector - Changes the direction the snow is blown.

Crank - Used to change direction of the snow discharge. Turn handle clockwise to turn chute to right. Turn handle counter clockwise to turn chute to left.

Height Adjust Skid - Used to adjust ground clearance of auger housing.

Toolbox - Spare shear pins, shear bolt wrenches and spacers are located in toolbox.

OPERATION



The operation of any snowthrower can result in foreign objects being thrown into the eyes, which can result in severe eye damage. Always wear safety glasses or eye shields before beginning snowthrower operation. We recommend standard safety glasses or Wide Vision Safety Mask for over spectacles.

SNOWTHROWER OPERATION

The most effective use of the snowthrower will be established by experience, taking into consideration the terrain, wind conditions and building location which will determine the direction of the discharge chute.

NOTE: Do not blow snow toward a building as hidden objects could be blown with sufficient force to cause damage.

TO STOP YOUR SNOWTHROWER

1. To stop throwing snow, release the **auger drive lever**. (see Figure 11).
2. To stop the wheels, release the **traction drive lever**.
3. To stop the engine, push the **throttle control lever** to off and pull out the **ignition key**.

TO CONTROL SNOW DISCHARGE

1. Rotate the **crank** to set the direction (left to right) of the discharge chute (see Figure 10).
2. Adjust the **snow chute deflector**. Loosen the **wing nut** on the side of the **snow chute deflector**. Raise the **snow chute deflector** for more distance or lower for less distance. Tighten **wing nut**. (see Figure 12).

HOW TO MOVE FORWARD AND BACKWARD

1. Start the engine. See "To Start Engine" in the Operation section.

NOTE: Always release the traction drive lever before moving the speed select lever.

2. Ground speed is determined by snow conditions. Set the **speed select lever** (see Figure 13) in one of the following positions.

- | | |
|-----|--------------------------------|
| 1-2 | Wet, Heavy, Slushy, Extra Deep |
| 3 | Moderate |
| 4-5 | Very Light |
| 6 | Transport Only |

IMPORTANT: Before operating, make sure the area in front of snowthrower is clear of bystanders or obstacles.

3. Engage the **traction drive lever** (see Figure 11). As the snowthrower starts to move, maintain a firm hold on the handles and guide the snowthrower along the cutting path. Do not attempt to push the snowthrower.

4. To stop forward motion, release the **traction drive lever**.
5. To move the snowthrower backwards, move the **speed select lever** into either first or second reverse position and engage the **traction drive lever**.

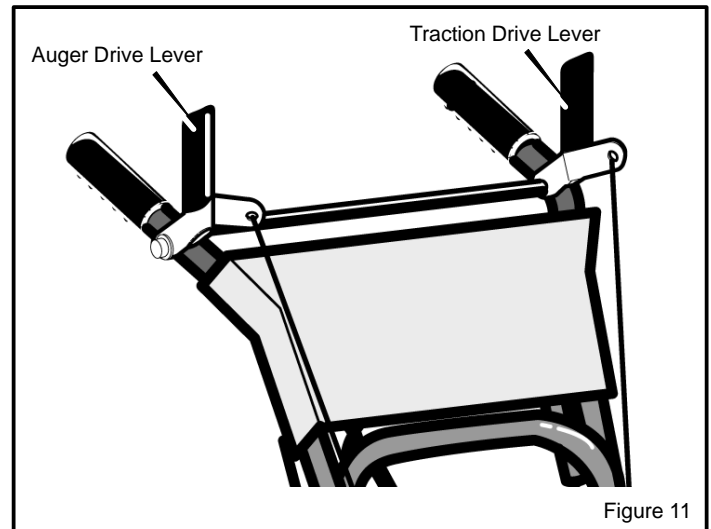


Figure 11

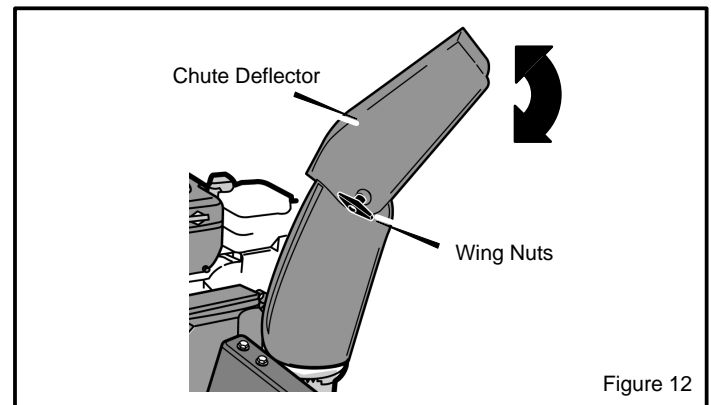


Figure 12

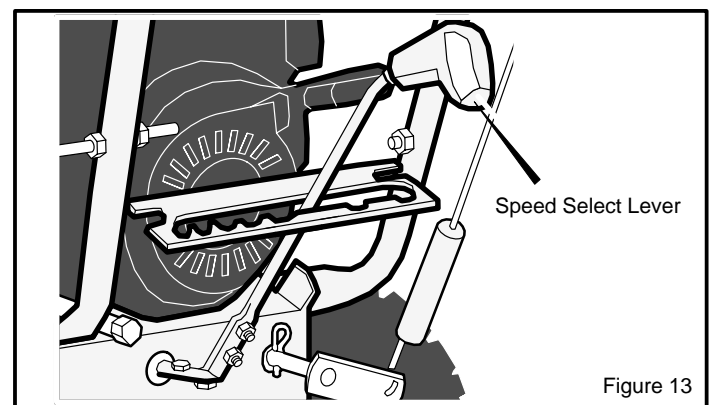


Figure 13

OPERATION

TO THROW SNOW

1. Push down the auger driver lever (right hand). See Figure 11.
2. To stop throwing snowl, release the auger drive lever.

NOTE: When clearing wet, heavy snow, it is recommended that the ground speed of the unit be reduced, maintain full throttle and do not attempt to clear the full width of the unit.

For additional operating instructions see "Operating Tips" in the Operation section.



WARNING: Read Owner's Manual before operating machine. This machine can be dangerous if used carelessly.

Never operate the snowthrower without all guards, covers, and shields in place.

Never direct discharge towards windows or allow bystanders near machine while engine is running.

Stop the engine whenever leaving the operating position.

Disconnect spark plug before unclogging the impeller housing or the discharge chute and before making repairs or adjustments.

When leaving the machine, remove the ignition key.

To reduce the risk of fire, keep the machine clean and free from spilled gas, oil and debris.



WARNING: Never run engine indoors or in an enclosed, poor ventilated area. Engine exhaust contains CARBON MONOXIDE, an ORDERLESS and DEADLY GAS.

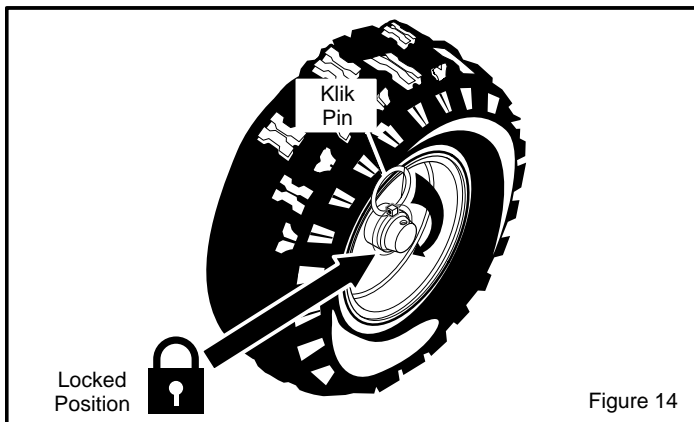
Keep hands, feet, hair and loose clothing away from any moving parts on engine and snowthrower.

Temperature of muffler and nearby areas can exceed 150° F (66° C). Avoid these areas.

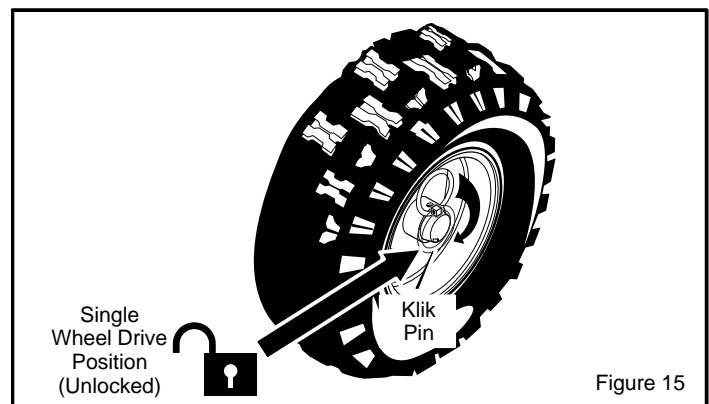
DO NOT allow children or young teenagers to operate or be near snowthrower while it is operating.

WHEEL LOCK OUT PIN

1. The right wheel is secured to the axle with a klik pin. This unit was shipped with this klik pin in the locked position. (Figure 14).



2. For ease of maneuverability when lighter conditions prevail, remove klik pin from wheel locked position and insert into single wheel drive (unlocked) position (Figure 15). Make sure that the klik pin is in the single wheel drive position of the axle only and not through the locked position.



NOTE: Check tire pressure. See side of tire for maximum inflation. Do not exceed listed maximum pressure.

OPERATION

HOW TO REMOVE SNOW FROM AUGER



WARNING: Do not attempt to remove snow or debris that may become lodged in auger without taking the following precautions:

A cleaning stick is attached to the top of the auger housing. Use the cleaning stick to remove snow from the auger housing.

- Release auger drive lever.
- Move throttle lever to stop position.
- Remove (do not turn) ignition key.
- Disconnect spark plug wire.
- Do not place your hands in the auger or discharge chute. Use the cleaning stick to remove snow.

HOW TO SET THE DRIFT CUTTERS

(OPTIONAL ACCESSORY ON SOME MODELS)

Drift cutters are used to cut a path through snow deeper than the auger housing.

1. Loosen the **wingnuts** that secure the **drift cutters** to the auger housing (see Figure 16).
2. Raise the **drift cutters** to the desired height.
3. Tighten the **wingnuts**.

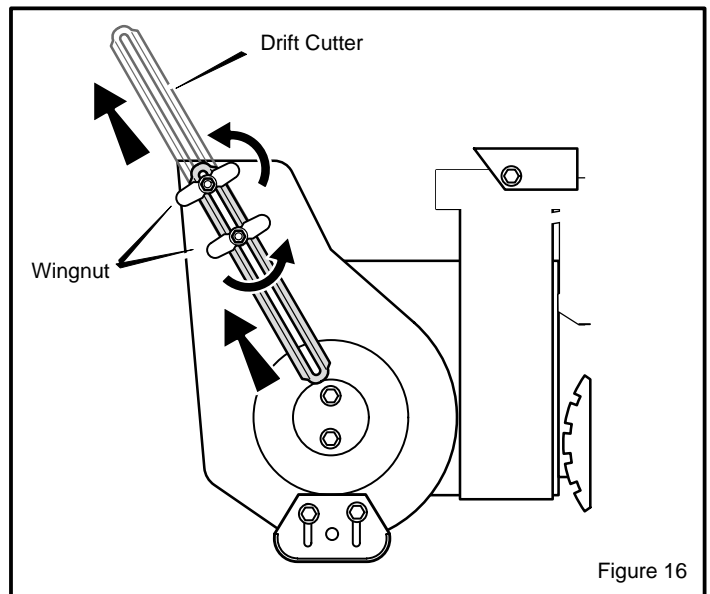


Figure 16

OPERATION

BEFORE STARTING ENGINE

Check the oil

NOTE: The engine was shipped from the factory filled with oil. Check the level of the oil. Add oil as needed.

1. Make sure the unit is level.
2. Remove the oil fill cap/dipstick. Check the oil.

NOTE: Do not check the level of the oil while the engine runs.

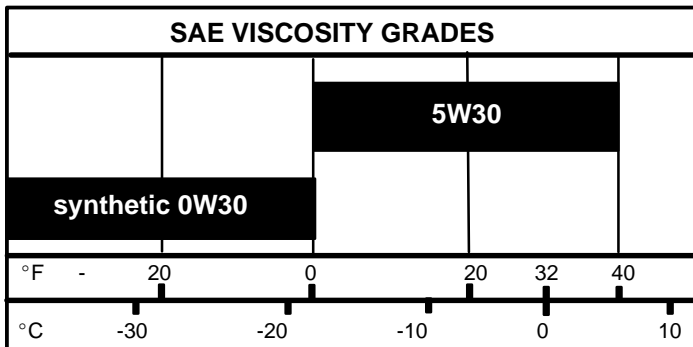
3. If necessary, add oil until the oil reaches the FULL mark on the oil fill/cap dipstick (see Figure 17). Do not add too much oil.

NOTE: For extreme cold operating conditions of 0°F (-18°C) and below, use a synthetic 0W30 motor oil for easier starting.

NOTE: S.A.E. 5W30 motor oil may be used to make starting easier in areas where the temperature is 20°F (-7°C) to 0°F (-18°C).

NOTE: SEE CHART FOR OIL RECOMMENDATION

| TEMPERATURE | TYPE OF OIL |
|-----------------------|----------------|
| 0°F (-18°C) and above | S.A.E. 5W30 |
| 0°F (-18°C) and below | synthetic 0W30 |



FILL GAS

1. Fill the fuel tank with fresh, clean, unleaded regular, unleaded premium, or reformulated automotive gasoline along with a fuel stabilizer (follow instructions on fuel stabilizer package). **DO NOT** use leaded gasoline. We recommend that fuel stabilizer be added to the fuel each time that gasoline is added to the fuel tank.

NOTE: Winter grade gasoline has higher volatility to improve starting. Be certain container is clean and free from rust or other foreign particles. Never use gasoline that may be stale from long periods of storage in the container.

CAUTION: DO NOT use gasoline containing any amount of alcohol as it can cause serious damage to the engine or significantly reduce the performance.

2. Check to make sure that spark plug is tightened securely into engine and spark plug wire is attached to spark plug. If torque wrench is available, torque plug to 18-23 ft-lbs.



WARNING: Gasoline is flammable. Always use caution when handling or storing gasoline. Do not add gasoline to the fuel tank while snowthrower is running, hot, or when snowthrower is in an enclosed area. Keep away from open flame, electrical sparks and **DO NOT SMOKE** while filling the fuel tank. Never fill the fuel tank completely; but fill the fuel tank to within 1/4-1/2 inch (6.5-12.5 mm) from the top to provide space for the expansion of the fuel. Always fill fuel tank outdoors and use a funnel or spout to prevent spilling. Make sure to wipe up any spilled fuel before starting the engine.

Store gasoline in a clean, approved container, and keep the cap in place on the container. Keep gasoline in a cool well ventilated place; never in the house. Never buy more than a 30 day supply of gasoline to assure volatility. Gasoline is intended to be used as a fuel for internal combustion engines; therefore, do not use gasoline for any other purpose. Since many children like the smell of gasoline, keep it out of their reach because the fumes are dangerous to inhale, as well as being explosive.

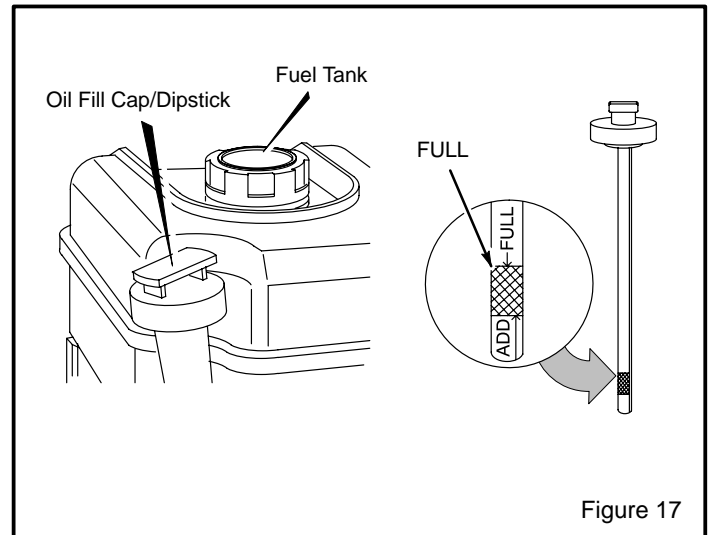


Figure 17

BEFORE STOPPING THE ENGINE

Run the engine for a few minutes to help dry off any moisture on the engine.

To help avoid possible freeze-up of the starter, proceed as follows:

Recoil Starter

With the engine running, pull the starter rope with a rapid continuous full arm stroke three or four times.

NOTE: The normal sound made by pulling the starter rope will not harm the engine or the starter.

Electric Starter

1. Connect the power cord to the switchbox and then to a wall outlet.

OPERATION

2. With the engine running, push the starter button and spin the starter for several seconds.

NOTE: The normal sound made by spinning the starter will not harm the engine or the starter.

3. Disconnect the power cord from the receptacle first and then from the switchbox.

TO START ENGINE

Be sure that engine has sufficient oil.

The snowthrower engine is equipped with a recoil starter and also an electric starter.



WARNING: The electric starter is equipped with a three-wire power cord and plug designed to operate on 120 volt AC house hold current. The power cord must be properly grounded at all times to avoid the possibility of electric shock which can cause injury to the operator. Follow all instructions carefully as set forth below:

Make sure your house has a three-wire grounded system. If you are not sure, ask a licensed electrician. If your house does not have a three-wire grounded system, do not use this electric starter under any condition.

If your house has a three-wire grounded system but a three hole receptacle is not available to connect the electric starter, have a three-hole receptacle installed by a licensed electrician.



WARNING: To connect a 120 volt power cord, always connect the power cord first to the switch box located on the engine and then plug the other end into a three-hole grounded receptacle.



WARNING: To disconnect the power cord, always unplug the end connected to the three-hole grounded receptacle first.

COLD ENGINE START

(Engine has not been run recently.)

1. Be sure auger drive clutch lever and traction drive clutch lever are in the disengaged (RELEASED) position.
2. IN TEMPERATURES ABOVE 0°F (-18°C)
Move throttle control to "FAST" position.
IN TEMPERATURES BELOW 0°F (-18°C)
Move throttle control to "1/2 THROTTLE" position. Before engaging auger drive clutch lever allow engine to idle for five minutes to allow engine oil to warm. Failure to allow engine oil to warm can cause damage to engine.
3. Insert key into ignition slot. Make sure it snaps into place (Figure 18). Do not turn key.
4. Rotate choke knob to the CHOKE position.

MTF-031071L

5. Push the primer button as follows:
Above 50° F (10° C), DO NOT PRIME.
From 50° F (10° C) to 15°F (-10° C), PUSH TWO TIMES.
Below 15° F (-10° C), PUSH FOUR TIMES.

NOTE: Cover the vent hole when as you push the primer. Remove your finger from the primer vent hole between pushes.

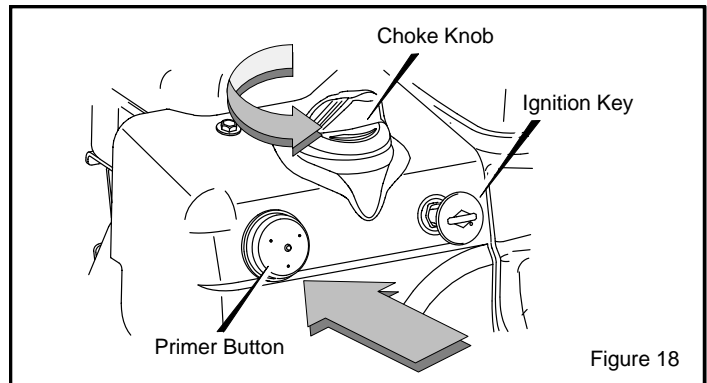


Figure 18

6. (**RECOIL START**) Pull starter handle (Figure 19) rapidly, and allow to rewind slowly while maintaining firm grip on handle.

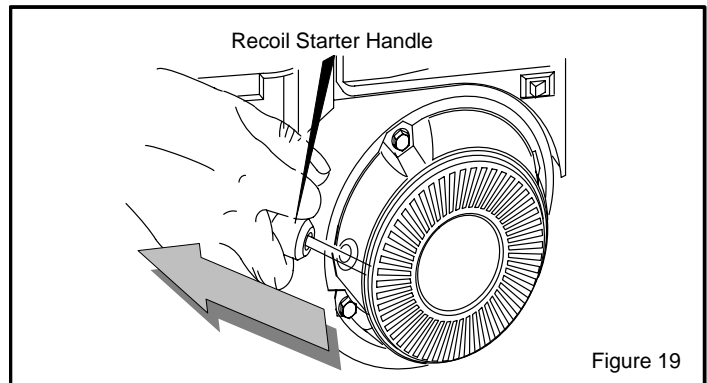


Figure 19

7. (**ELECTRIC START**) Connect the power cord to the engine and depress the starter button.

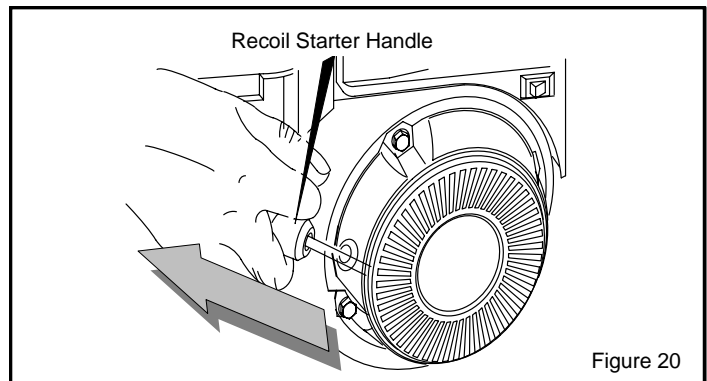


Figure 20

8. As engine warms up move choke lever to "1/2 choke" position. When engine does not run smoothly, move choke lever to the off position.

NOTE: Allow the engine to warm up for several minutes before blowing snow in temperatures below 0°F (-18° C).

9. Run engine at or near top speed.

OPERATION

10. To stop engine, move throttle control lever to STOP position. Remove key. Do not turn key.

WARM ENGINE START (RECOIL STARTER)

If restarting a warm engine after a short shutdown, leave choke at "OFF" and do not push the primer button. If the engine fails to start, follow the Cold Start instructions.

FROZEN STARTER

If the starter is frozen and will not turn engine:

1. Pull as much rope out of the starter as possible.
2. Release the starter handle and let it snap back against the starter. Repeat until the engine starts.

To help prevent possible freeze-up of recoil starter and engine controls, proceed as follows after each snow removal job.

Recoil Starter:

1. With engine running, pull starter rope hard with a continuous full arm stroke three or four times.

NOTE: The unusual sound made by pulling the starter rope will not harm the engine or the starter.

Electric Starter:

1. Connect the "POWER CORD" to the "SWITCH BOX" and then to a 120 volt AC receptacle.

2. With engine running, push the "STARTER BUTTON" and spin the starter for several seconds.

NOTE: The unusual sound made by spinning the starter will not harm the engine or the starter.

3. Disconnect the "POWER CORD" from the receptacle first and then from the "SWITCH BOX".

With engine not running, wipe all snow and moisture from carburetor cover in area of control levers. Also move control levers backward and forward several times.

IMPORTANT: After each use of the snowthrower, stop the engine, remove the ignition key, remove all accumulated snow from the snowthrower and wipe clean. Store the snowthrower in a protected area.

NOTE: Never cover snowthrower while engine and exhaust area are still warm.

If after following the preceding instructions, your engine fails to start, have the engine checked by a John Deere/Frontier dealer.

NOTE: Do not lose the ignition key. Key the ignition key is a safe place. The engine will not start without the ignition key.

OPERATING TIPS

1. For optimum snowthrower efficiency, adjust ground speed, not the throttle. REMEMBER - if the wheels slip, forward speed will be reduced. The engine is designed to deliver optimum performance at full throttle and must be run at this power setting at all times.
2. Most efficient snowblowing is accomplished when snow is removed immediately after it falls.
3. For complete snow removal, slightly overlap each swath previously taken.
4. Snow should be discharged downwind whenever possible.
5. For normal usage, set the skids one-eighth inch (3 mm) below the scraper bar. For extremely hard-packed snow surfaces, the skids may be adjusted upward to insure cleaning efficiency.

6. On gravel or crushed rock surfaces, the skids should be set at 1-1/4 inch (32 mm) below the scraper bar (see To Adjust Skid Height, in the MAINTENANCE section in this manual). Rocks and gravel must not be picked up and thrown by the machine.
7. After the snowblowing job has been completed, allow the engine to idle for a few minutes, to melt snow and ice accumulated on the engine.
8. Remove ice and snow accumulation from the entire snowthrower to prevent obstructions and possible damage when snowthrower is subsequently operated.
9. Before starting snowthrower, always inspect augers and impeller for ice accumulation and/or debris, which could result in snowthrower damage.
10. Check oil level before every start. fill to "SAFE" indication prior to operating snowthrower.

SERVICE RECOMMENDATIONS

| SERVICE RECOMMENDATIONS | | | | | | | | | |
|---|---|--------------------|-----------------------|-------|---------------------|----------------------|----------------------|-----------------------------|-------------------|
| PROCEDURE | | FIRST 2 HOUR | BEFORE EACH USE | OFTEN | EVERY 5 HOURS | EVERY 10 HOURS | EVERY 25 HOURS | BEGINNING EACH SEASON | BEFORE STORAGE |
| S N O W T H R O W E R | Tighten all screws and nuts | √ | | √ | | | | √ | |
| | Check Traction Clutch Cable Adjustment (See Cable Adjustment) | √ | | | | | | √ | |
| | Check Auger clutch Cable Adjustment (See Cable Adjustment) | √ | | | | | | √ | |
| | Lubricate Chains and Hex Shaft | | | | | | | √ | √ |
| E N G I N E | Oil, Check | | √ | | √ | | | √ | |
| | Oil, Change | √ | | | | | √ | √ | |

The warranty on this snowthrower does not cover items that have been subjected to operator abuse or negligence. To receive full value from the warranty, operator must maintain snowthrower as instructed in this manual. The following **Service Recommendations** are supplied to assist operator to properly maintain snowthrower. This is a check list only. Adjustment referred to will be found in the MAINTENANCE section of this manual.

AFTER EACH USE

1. Check for any loose or damaged parts.
2. Tighten any loose fasteners.
3. Check and maintain the auger.
4. After each use, remove all snow and slush off the snowthrower to prevent freezing of auger or controls.
5. Check controls to make sure they are functioning properly.
6. If any parts are worn or damaged, replace immediately.

MAINTENANCE

Some adjustments will need to be made periodically to properly maintain your snowthrower.

All adjustments in the MAINTENANCE section of this manual should be checked at least once each season.

SNOWTHROWER

Auger and Traction Drive Belts should be adjusted after the first 2 to 4 hours of use, again about mid-season and twice each season thereafter (See To Adjust Belts paragraph in the MAINTENANCE section).

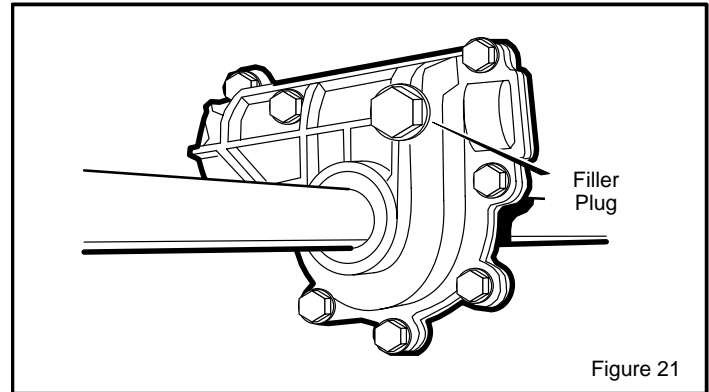
AS REQUIRED

Auger Gear Box

The auger gear box is lubricated at the factory and should not require additional lubrication.

If for some reason the lubricant should leak out, or if the auger gear box has been serviced, add Lubriplate GR132 Grease or equivalent. Maximum 3-1/4 ounces, (92 grams) should be used.

Remove filler plug (Figure 21), once a year. If grease is visible, do not add. If grease is not visible, use a piece of fine wire, like a dipstick to check if there is grease in the gear box. Mobilux EP1 and Shell Aldania EP1 are suitable equivalents.



LUBRICATION

Bearings and bushings

All bearings and bushings are lifetime lubricated and require no maintenance.

Hex shaft and chains

For storage, the hex shaft should be wiped with a cloth lightly moistened with motor oil to prevent rusting (see Figure 23).

For storage, the chains should be lubricated with a chain type lube. (see Figure 23).

NOTE: Any greasing or oiling of the above mentioned components can cause contamination of the rubber friction wheel. If the disc drive plate or friction wheel come in contact with grease or oil damage to rubber friction wheel will result .

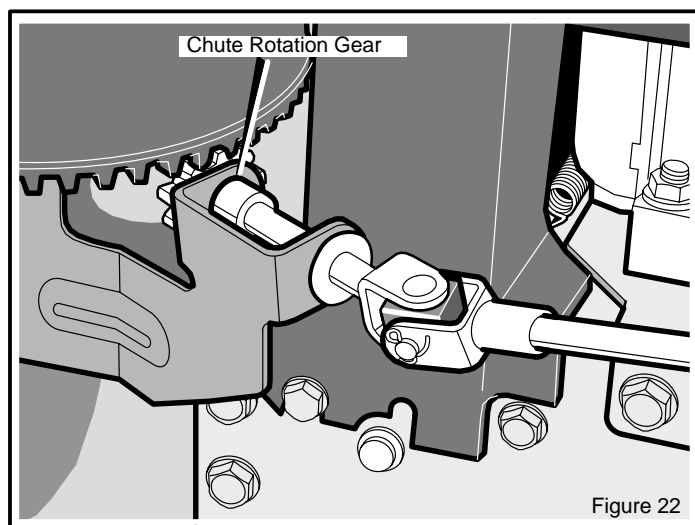
If grease or oil comes into contact with the disc drive plate or friction wheel, make sure to clean plate and wheel thoroughly with a alcohol base solvent.

MAINTENANCE

LUBRICATION - EVERY 25 HOURS

Chute Rotation Gear

Lubricate the **chute rotation gear** with automotive type oil. (see Figure 22).



Chains

1. Position speed selector lever in first (1) forward gear.
2. Stand the snowthrower up on the auger housing end.

NOTE: When the crank case is filled with oil, do not leave the snowthrower standing up on the auger housing for an extended period of time.

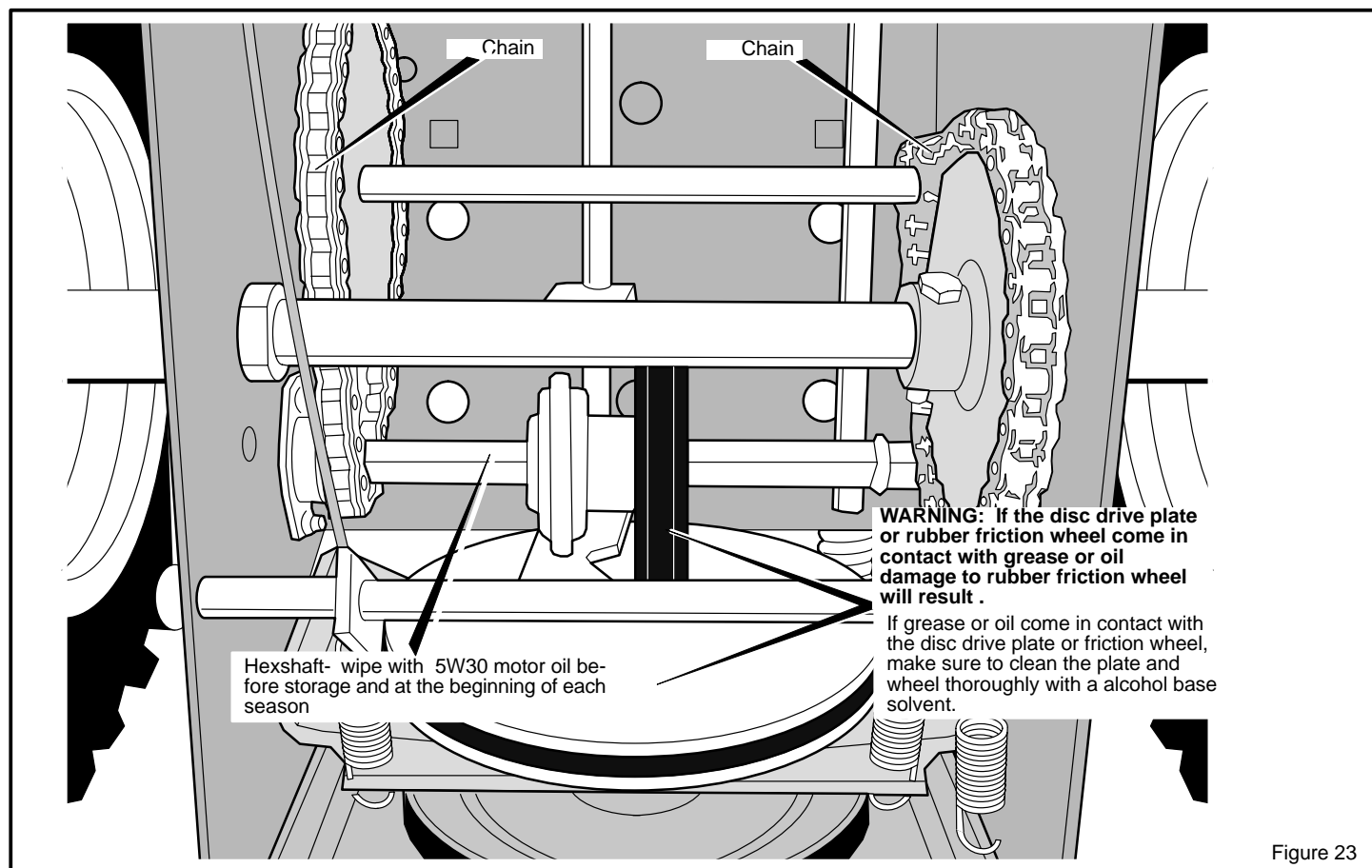
3. Remove the bottom panel.

4. Lubricate the **chains** with a chain type lubricant.
5. Wipe the **hexshaft and sprockets** with 5W30 motor oil.

NOTE: Clean all excess grease or oil found on the rubber friction wheel or the disc drive plate.

CAUTION: Do not allow grease or oil to contact the rubber friction wheel or the disc drive plate.

6. Install the bottom panel.



MAINTENANCE

ENGINE

Check Crankcase Oil Level before starting engine and after each 5 hours of continuous use (see Figure 24). Add proper motor oil as required.

NOTE: Overfilling the engine can affect performance. Tighten the oil fill cap securely to prevent leakage.

Change Oil every 25 hours of operation or at least once a year, even if the snowthrower is not used for twenty-five hours. Use a clean, high quality detergent oil. Fill the crank case to FULL line on dipstick (see Figure 24). Be sure original container is marked: A.P.I. service "SF" or higher. Do not use SAE10W40 oil (as it may not provide proper lubrication). See Chart for oil recommendations.

To Drain Oil - Position snowthrower so that the oil drain plug is lowest point on engine. Remove oil drain plug and oil fill cap and drain oil into a suitable container (Figure 25).

NOTE: Oil will drain more freely when warm.

Replace oil drain plug and tighten securely. Refill crank case with proper motor oil or as indicated in the preceding paragraphs of this section.

| TEMPERATURE | TYPE OF OIL |
|------------------------|----------------|
| 0°F (-18° C) and above | S.A.E. 5W30 |
| 0°F (-18° C) and below | synthetic 0W30 |

| SAE VISCOSITY GRADES | |
|----------------------|--|
| 5W30 | |
| synthetic 0W30 | |
| °F - 20 0 20 32 40 | |
| °C -30 -20 -10 0 10 | |

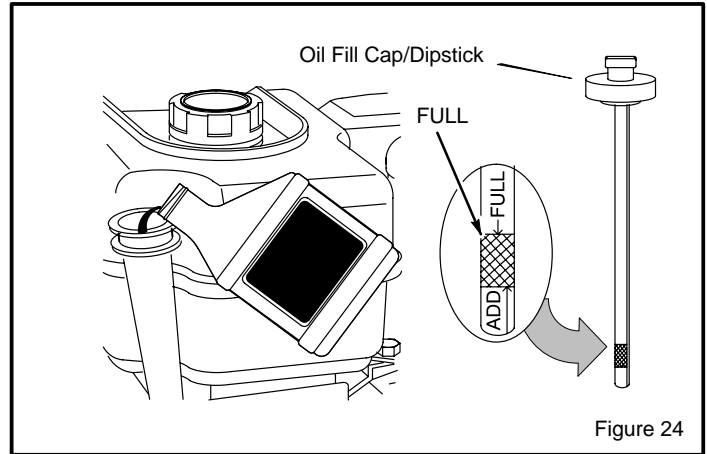


Figure 24

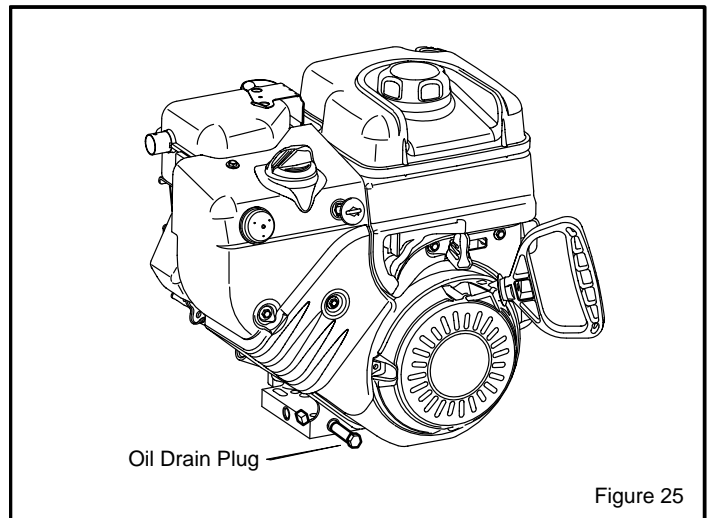


Figure 25

MAINTENANCE



WARNING: Always turn unit off, remove ignition key and disconnect the spark plug wire before making any repairs or adjustments.

AUGER HOUSING HEIGHT ADJUSTMENT

TO ADJUST SCRAPER BAR

After considerable use, the metal scraper bar will have a definite wear pattern. The scraper bar in conjunction with the skids should always be adjusted to allow one-eighth of an inch (3 mm) between the scraper bar and the sidewalk or area to be cleaned.

To adjust the scraper bar, proceed as follows:

1. Position the snowthrower on a level surface.
2. Loosen the carriage bolts and nuts securing the scraper bar to the auger housing.
3. Adjust the scraper bar to the proper position. Tighten the carriage bolts and nuts, insuring that the scraper bar is parallel with the working surface.
4. For extended operation, the scraper bar may be reversed. If the scraper bar must be replaced because of wear, remove the carriage bolts and nuts and install a new scraper bar.

TO ADJUST SKID HEIGHT

This snowthrower is equipped with two height adjust skids, secured to the outside of the auger housing. These elevate the front of the snowthrower.

When removing snow from a hard surface area such as a paved driveway or walk, adjust the skids up to bring the front of the snowthrower down.

When removing snow from rock or uneven construction, raise the front of the snowthrower by moving the skids down. This will help to prevent rocks and other debris from being picked up and thrown by the augers.

To adjust skids, proceed as follows:

1. Place a block (equal to height from ground desired) under scraper bar near but not under skid.
2. Loosen skid mounting nuts (Figure 26) and push the skid down until it touches the ground. Retighten mounting nuts.
3. Set skid on other side at same height.

NOTE: Make sure that snowthrower is set at same height on both sides.



WARNING: Be certain to maintain proper ground clearance for your particular area to be cleared. Objects such as gravel, rocks or other debris, if struck by the impeller, may be thrown with sufficient force to cause personal injury, property damage or damage to the snowthrower.

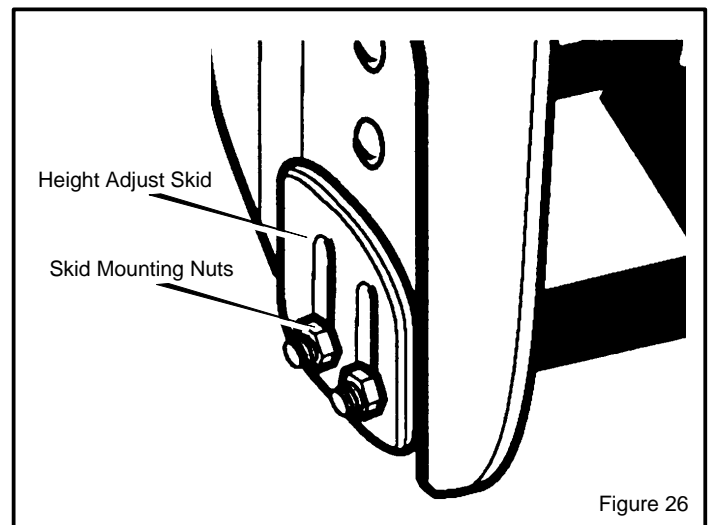


Figure 26

MAINTENANCE

BELT ADJUSTMENT

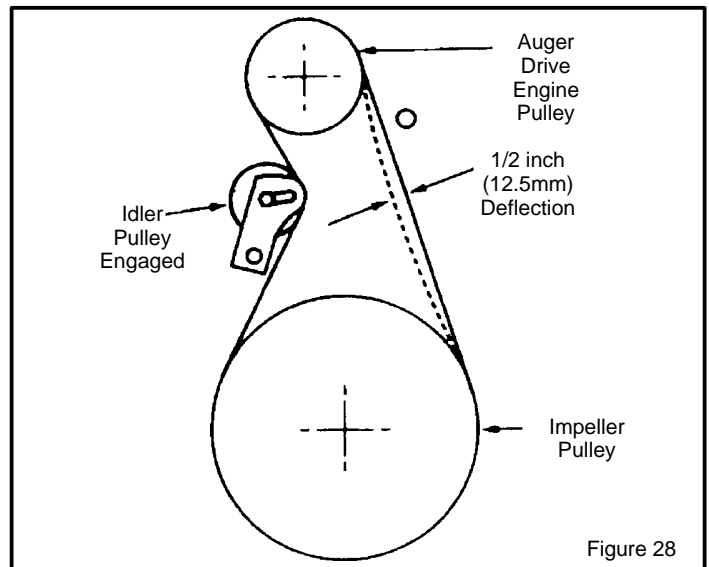
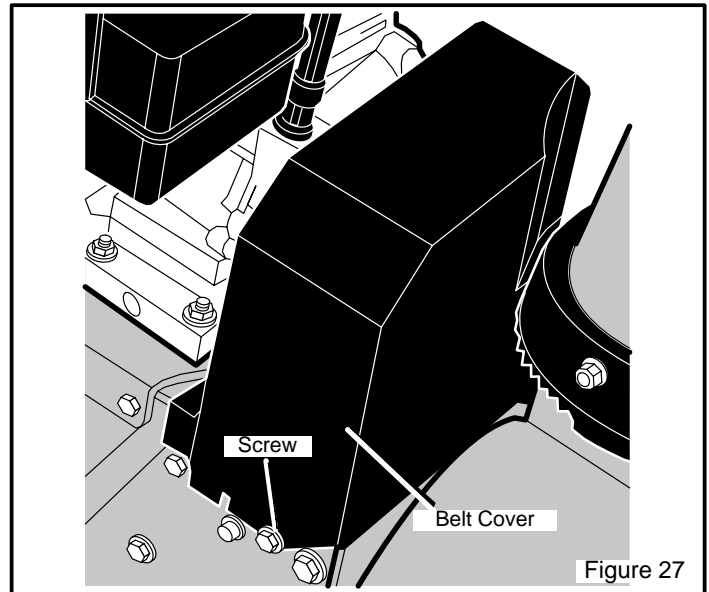
Traction Drive Belt

The traction drive belt has constant spring pressure and does not require an adjustment. If the traction drive belt is slipping, replace the belt. See "How To Replace The Belts" in the Maintenance section.

Auger Drive Belt

If your snowthrower will not discharge snow, check the control cable adjustment. If it is correct, then check the condition of the auger drive belt. If it is damaged or loose, replace it (see Belt Replacement in this section of the manual).

1. Disconnect spark plug wire.
2. Remove **screw** from **belt cover**. Remove **belt cover** (see Figure 27).
3. Loosen nut on auger idler pulley and move auger idler pulley towards belt about 1/8 inch (3 mm) (see Figure 30).
4. Tighten nut.
5. Have someone engage auger drive clutch. Check tension on belt (opposite idler pulley). Belt should deflect about 1/2 inch (12.5 mm) with moderate pressure (Figure 28). You may have to move idler pulley more than once to obtain the correct tension.
6. Reinstall belt cover.
7. Whenever belts are adjusted or replaced, the cables will need to be adjusted. (See Cable Adjustment in this section of the manual).
8. Attach the spark plug wire.



MAINTENANCE

HOW TO REPLACE THE BELTS

The drive belts are of special construction and must be replaced with original factory replacement belts available from your nearest authorized service center.

Some steps require the assistance of a second person.

How To Remove the Auger Drive Belt

If the auger drive belt is damaged, the snow thrower will not discharge snow. Replace the damaged belt as follows.

1. Disconnect the spark plug wire.
2. Loosen the **bolts** on each side of the **bottom panel** (see Figure 29).
3. Remove the **bottom panel**.
4. Remove **screw** from **belt cover**. Remove the **belt cover** (see Figure 27).
5. Loosen the **belt guide**. Pull the **belt guide** away from the **auger drive pulley** (see Figure 30).
6. Pull the **idler pulley** away from the **auger drive belt**.
7. Remove the old **auger drive belt** from the **auger drive pulley** and from the **engine pulley**. Replace the **auger drive belt** with an original factory replacement belt available from an authorized service center.
8. Install the new **auger drive belt** onto the **auger drive pulley** and onto **pulley**.
9. Adjust the **auger drive belt**. See "How To Adjust The Auger Drive Belt" in the Maintenance section.
10. Adjust the **belt guide**. See "How To Adjust The Belt Guide" in the Maintenance section.
11. Install the **belt cover**. Tighten **screw** (See Figure 27).
12. Check the adjustment of the cables. See "How To Check And Adjust The Cables" in the Maintenance section.
13. Install the **bottom panel** (see Figure 29).
14. Tighten the **bolts** on each side of the **bottom panel**.
15. Connect the spark plug wire.

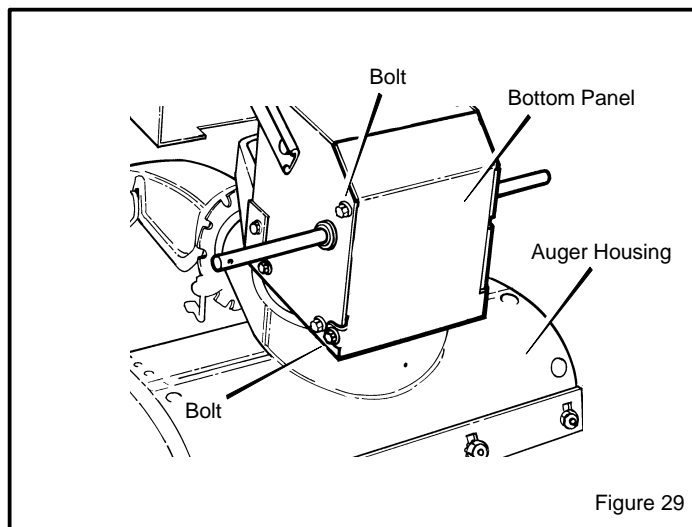


Figure 29

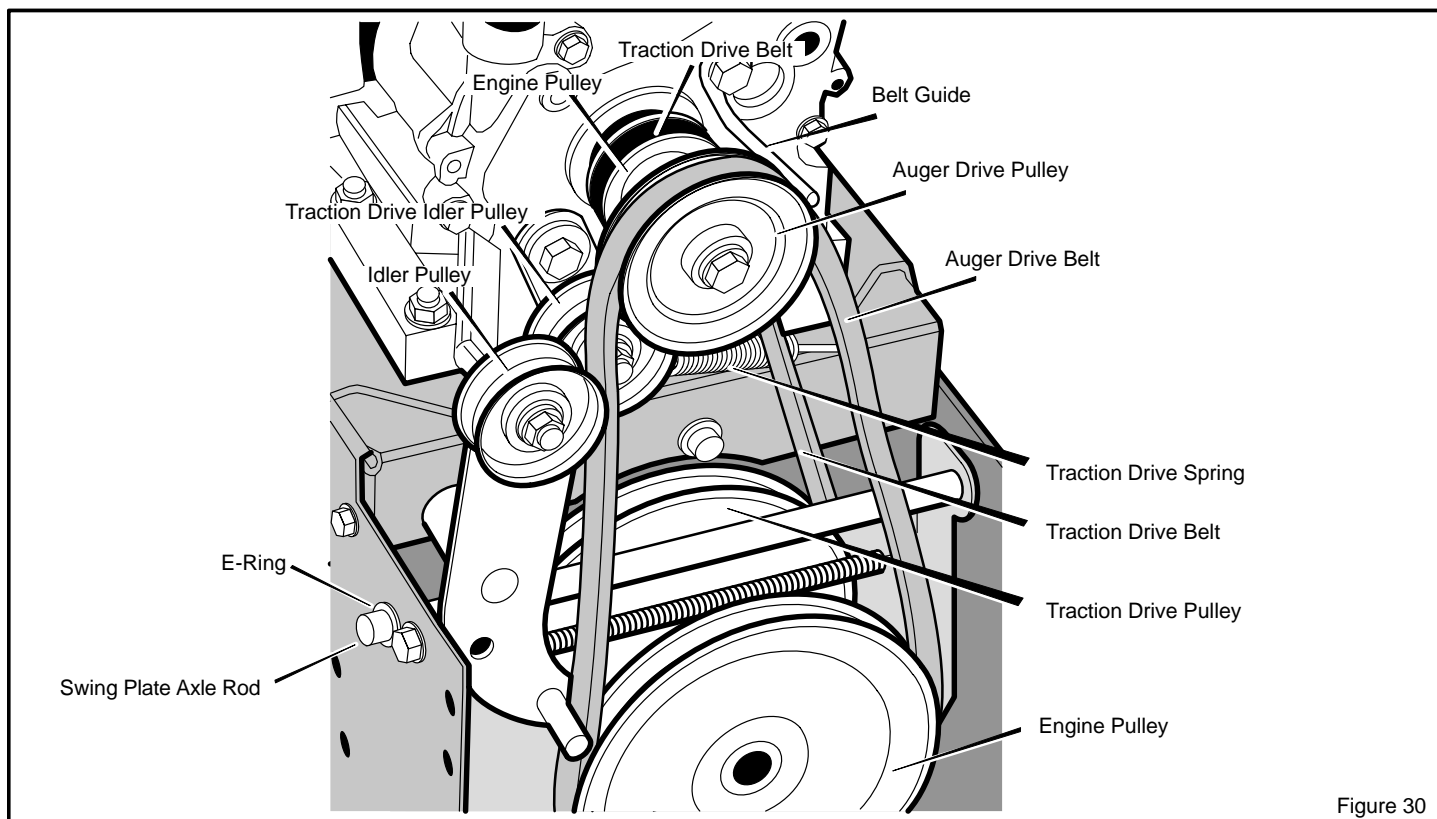


Figure 30

MAINTENANCE

How To Remove the Traction Drive Belt

If the snow thrower will not move forward, check the traction drive belt for wear or damage. If the traction drive belt is worn or damaged, replace the belt as follows.

1. Disconnect the spark plug wire.
2. Remove the auger drive belt. See "How To Remove The Auger Drive Belt" in the Maintenance section.
3. Remove the **e-ring** from one end of the **swing plate axle rod**. Remove the **swing plate axle rod** to allow the swing plate to pivot forward (see Figure 30).
4. Remove the **traction drive spring**.
5. Remove the old **traction drive belt** from the **traction drive pulley** and from the **engine pulley**. Replace the **traction drive belt** with an original factory replacement belt available from an authorized service center.
6. Install the new **traction drive belt** onto the **traction drive pulley** and onto **engine pulley**.
7. Make sure the **traction drive idler pulley** is properly aligned with the **traction drive belt**.
8. Attach the **traction drive spring**.
9. Install the **swing plate axle rod** and secure with the **e-ring** removed earlier.
10. The bottom of the **swing plate** must be positioned between the **alignment tabs**. Make sure the **swing plate** is properly secured (see Figure 31).
11. Install and adjust the **auger drive belt**. See "How To Remove The Auger Drive Belt" in the Maintenance section.
12. Adjust the **belt guide**. See "How To Adjust The Belt Guide" in the Maintenance section.
13. Install the **bottom panel** (see Figure 29).
14. Tighten the **bolts** on each side of the **bottom panel**.
15. Install the **belt cover**. Tighten **screw** (see Figure 27).
16. Check the adjustment of the cables. See "How To Check And Adjust The Cables" in the Maintenance section.
17. Connect the spark plug wire.

NOTE: If the drive will not engage after the traction drive belt has been replaced, then check to make sure that the swing plate is positioned between the alignment tabs.

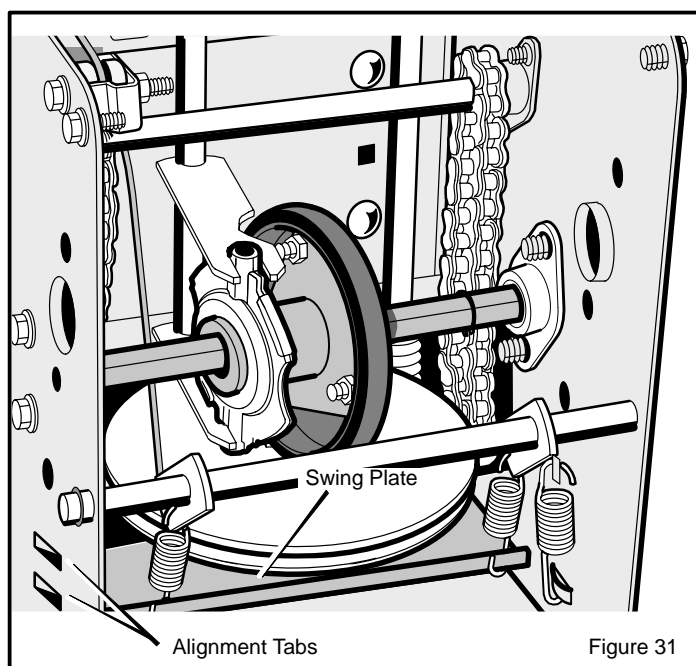
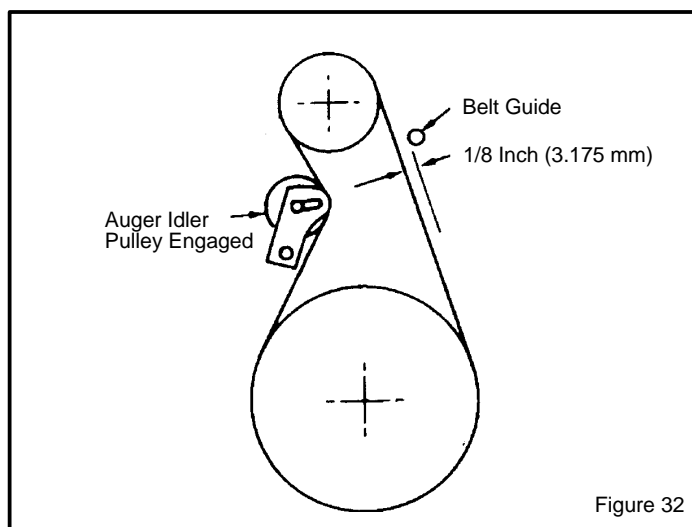


Figure 31

MAINTENANCE

BELT GUIDE ADJUSTMENT

1. Remove spark plug wire.
2. Have someone engage auger drive.
3. Measure the distance between the belt guide and belt. The distance should be 1/8 inch (3.175 mm) for guide. See Figure 32.
4. If adjustment is necessary, loosen belt guide mounting bolt. Move belt guide to the correct position. Tighten mounting bolt.
5. Reinstall belt cover.
6. Reconnect spark plug wire.



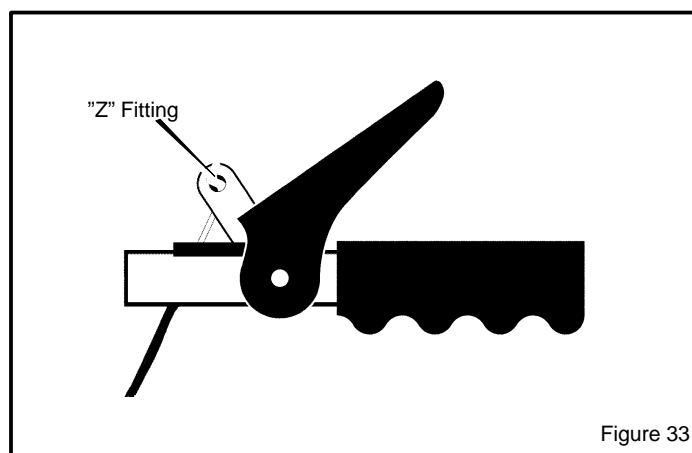
HOW TO CHECK AND ADJUST THE CABLES

The cables are adjusted at the factory and no adjustment should be necessary. If the cables have become stretched or are sagging adjustment will be necessary.

Whenever belts are adjusted or replaced, the cables will need to be adjusted.

To check for correct adjustment, unhook "Z" fitting at clutch lever (see Figure 33)

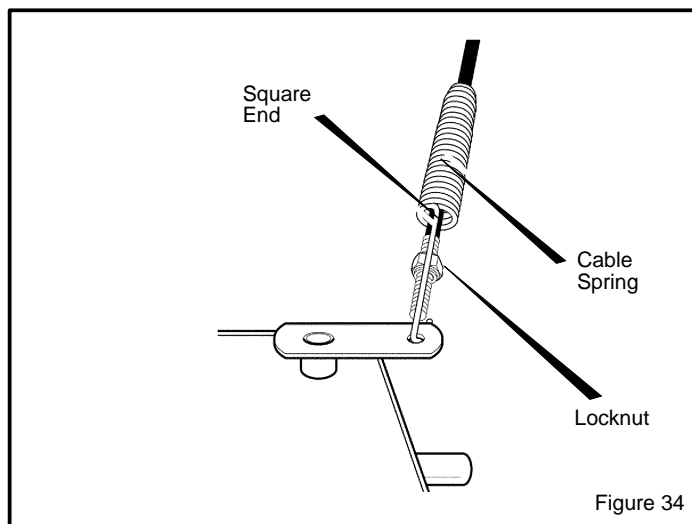
1. Move clutch lever to the full forward position (just contacting plastic bumper). Holding cable tight, note position of fitting to hole in clutch lever.
2. The center of the "Z" fitting should be between the centre and top of the hole in the clutch lever. Adjust either the auger drive cable or the traction drive cable as follows.



Auger Drive Cable Adjustment

WARNING: Drain the gasoline outdoors, away from fire or flame.

1. Remove the gas from the gas tank. Stand the snow thrower up on the front end of the auger housing.
2. Push cable through spring to expose the threaded portion of the cable (see Figure 34).
3. Hold square end of threaded portion with pliers and adjust locknut in or out until correct adjustment is reached. Pull cable back through spring and connect cable.



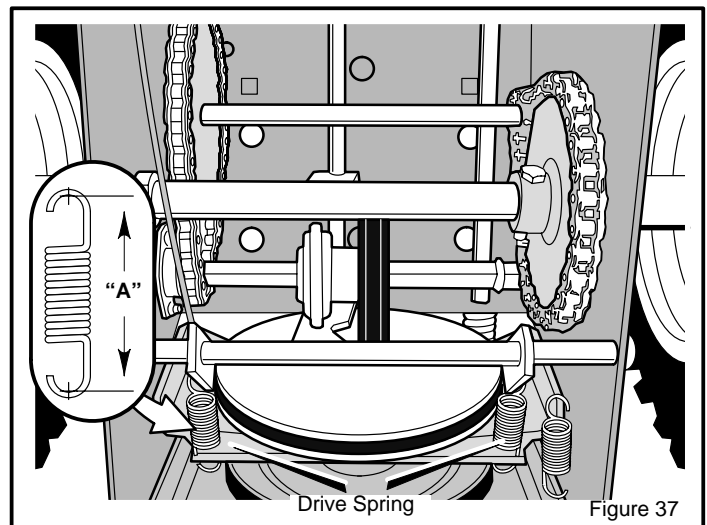
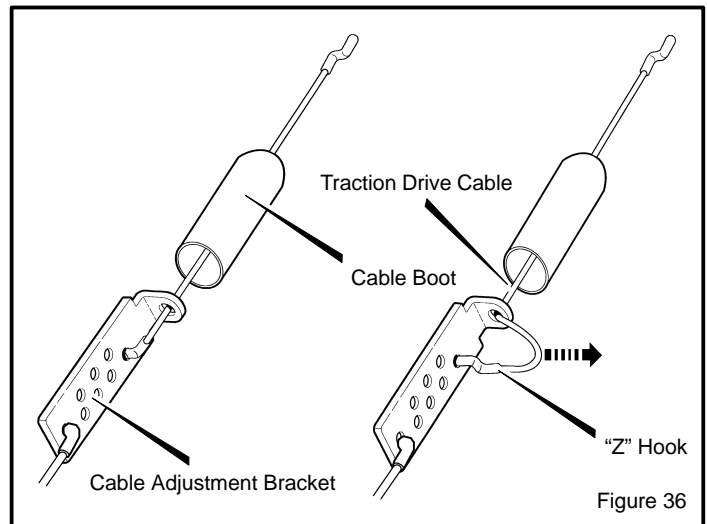
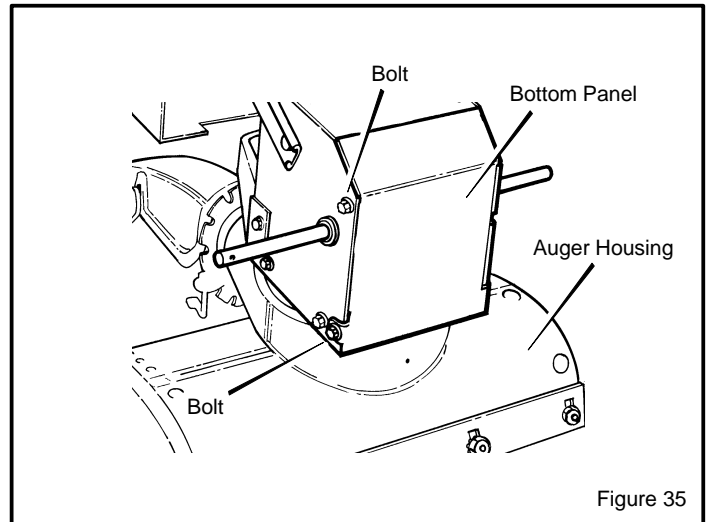
MAINTENANCE

Traction Drive Cable Adjustment



WARNING: Drain the gasoline outdoors, away from fire or flame.

1. Remove the gas from the gas tank. Stand the snow thrower up on the front end of the auger housing.
2. Loosen the **bolts** on each side of the **bottom panel** (see Figure 35).
3. Remove the **bottom panel**.
4. Disconnect the **“Z” fitting** from the **drive lever** (see Figure 33).
5. Slide the **cable boot** off the **cable adjustment bracket** (see Figure 36).
6. Push the bottom of the **traction drive cable** through the **cable adjustment bracket** until the **“Z” hook** can be removed.
7. Remove the **“Z” hook** from the **cable adjustment bracket**. Move the **“Z” hook** down to the next adjustment hole.
8. Pull the **traction drive cable** up through the **cable adjustment bracket**.
9. Put the **cable boot** over the **cable adjustment bracket**.
10. Install the **“Z” hook** to the **traction drive lever** (see Figure 33).
11. To check the adjustment, depress the drive lever and check the length of the **drive spring** (see Figure 37). In correct adjustment, the length of the **drive spring** is
minimum 3 inches (76 mm.)
maximum 3-3/8 inches (85 mm.).
12. Install the **bottom panel** (see Figure 35).
13. Tighten the **bolts** on each side of the **bottom panel**.



MAINTENANCE

HOW TO ADJUST OR REPLACE THE FRICTION WHEEL

How To Check The Friction Wheel

If the snow thrower will not move forward, check the traction drive belt, the traction drive cable or the friction wheel. If the friction wheel is worn or damaged, it must be replaced. See "How To Replace the Friction Wheel" in this section. If the friction wheel is not worn or damaged, check as follows.

1. Remove the gas from the gas tank. Stand the snow thrower up on the front end of the **auger housing** (see Figure 38).



WARNING: Drain the gasoline outdoors, away from fire or flame.

2. Disconnect the spark plug wire.
3. Loosen the **bolts** on each side of the **bottom panel** (see Figure 38).
4. Remove the **bottom panel**.
5. Position the **shift speed lever** in the lowest forward speed.
6. Note the position of the **friction wheel** (see Figure 39). The correct distance "A" from the right side of the **friction wheel** to the outside of the motorbox is as follows:

| Tire Size | Distance "A" |
|----------------|---------------------|
| 12 and 13 inch | 4-1/8" (10.5 cm.) |
| 16 inch | 4-5/16" (10.95 cm.) |

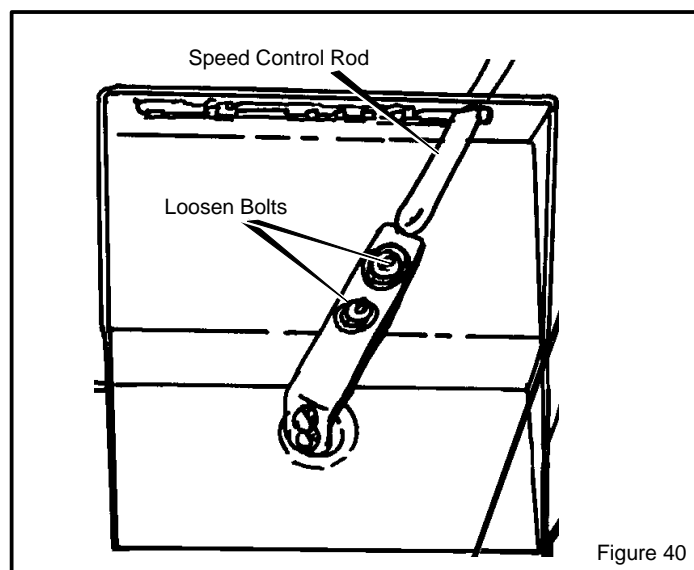
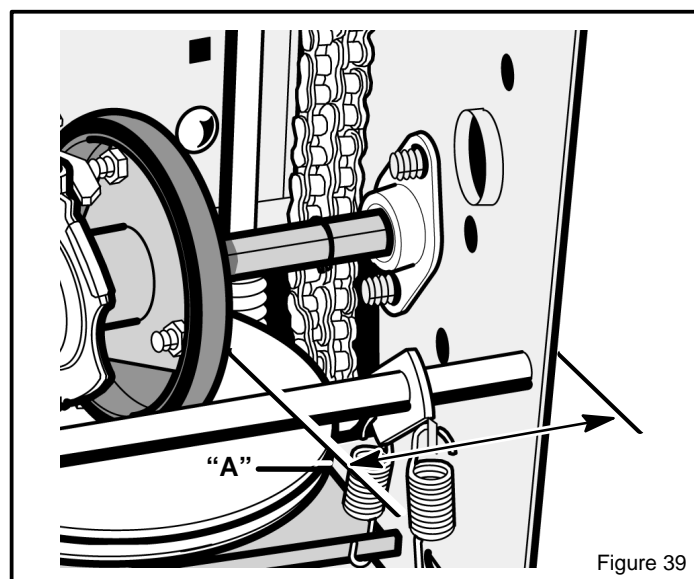
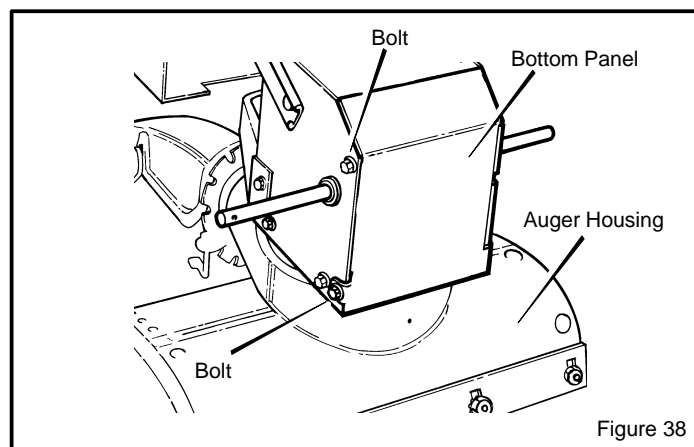
If the **friction wheel** is not in the correct position, adjust as follows.

How To Adjust The Friction Wheel

1. Position the **shift speed lever** in the lowest forward speed.
2. Loosen the **bolts** on the **speed control rod** (see Figure 40).
3. Move the **friction wheel** to the correct position (see Figure 39).
4. Tighten the **bolts** on the **speed control rod** (see Figure 40).

5. Install the **bottom panel** (see Figure 38).

6. Tighten the **bolts** on each side of the **bottom panel**.



MAINTENANCE

How To Replace The Friction Wheel

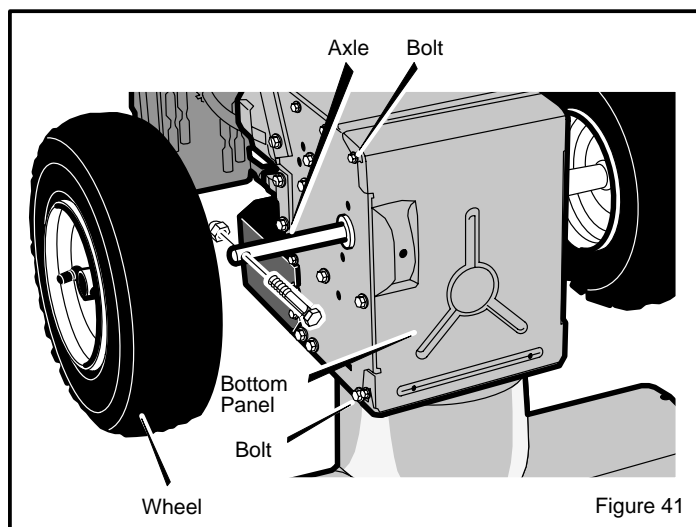
If the friction wheel is worn or damaged, the snow thrower will not move forward. The friction wheel must be replaced as follows.

1. Remove the gas from the gas tank. Stand the snow thrower up on the front end of the **auger housing (4)**. (see Figure 38).

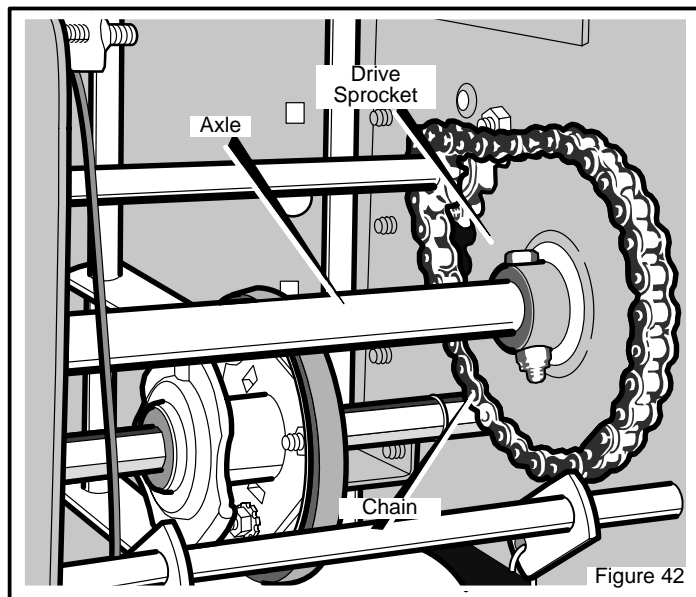


WARNING: Drain the gasoline outdoors, away from fire or flame.

2. Disconnect the spark plug wire.
3. Remove the fasteners that secure the left **wheel**. Remove the **left wheel** from the **axle** (see Figure 41)
4. Loosen the **bolts** on each side of the **bottom panel**.
5. Remove the **bottom panel**.

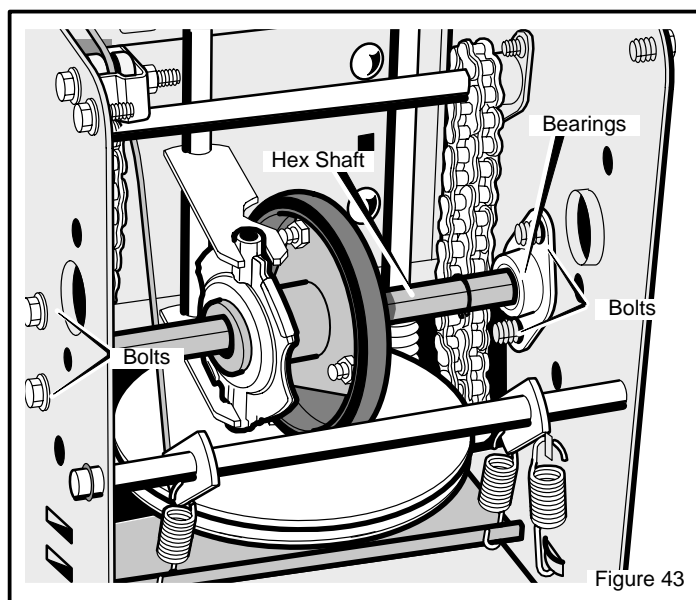


6. Remove the fasteners that secure the **drive sprocket** to the **axle** (see Figure 42).
7. Remove the right wheel, **axle**, and **drive sprocket**.



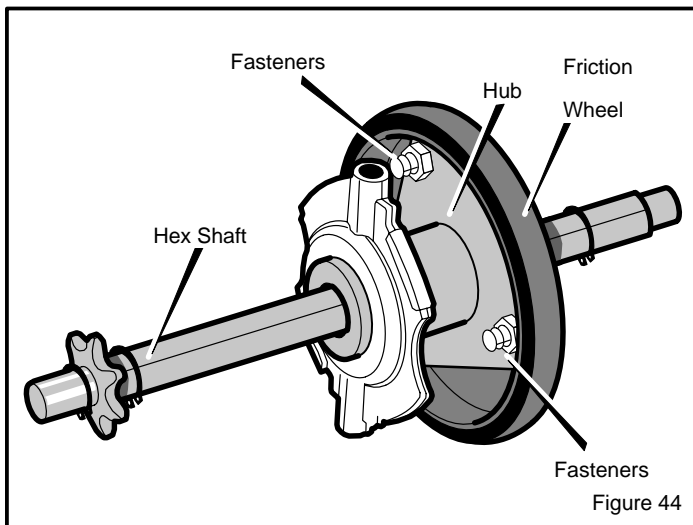
8. Remove the four **bolts** that hold the **bearings** on each side of the **hex shaft** (see Figure 43).
9. Remove the **hex shaft** and **bearings**.

NOTE: Take special note of the position of the washers on the hex shaft.



MAINTENANCE

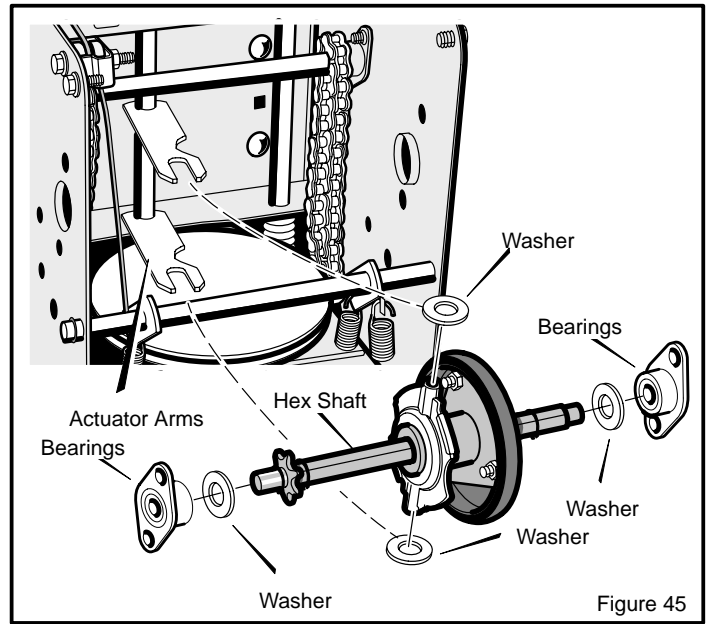
10. Remove the three **fasteners** that hold the **friction wheel** to the **hub** (see Figure 44).
11. Remove the **friction wheel** from the **hub**. Slip the **friction wheel** off the **hex shaft**.
12. Assemble the new **friction wheel** onto **hub** with the fasteners removed earlier.



13. Install the **hex shaft** and **bearings** with the four bolts removed earlier (see Figure 45).

Make sure the washers are properly installed in the original position. Also, make sure the two washers are properly aligned with the actuator arms.

14. Make sure the **hex shaft** turns freely.



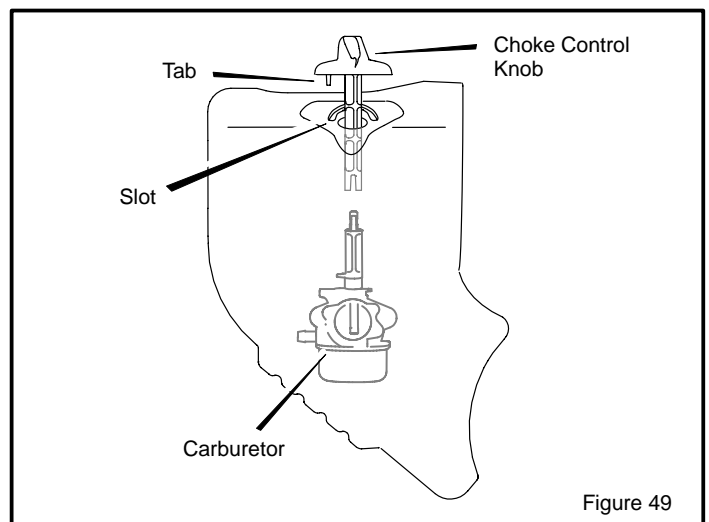
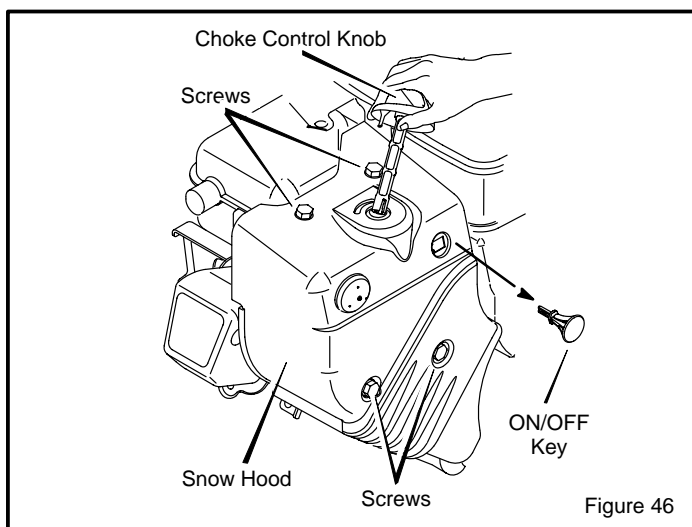
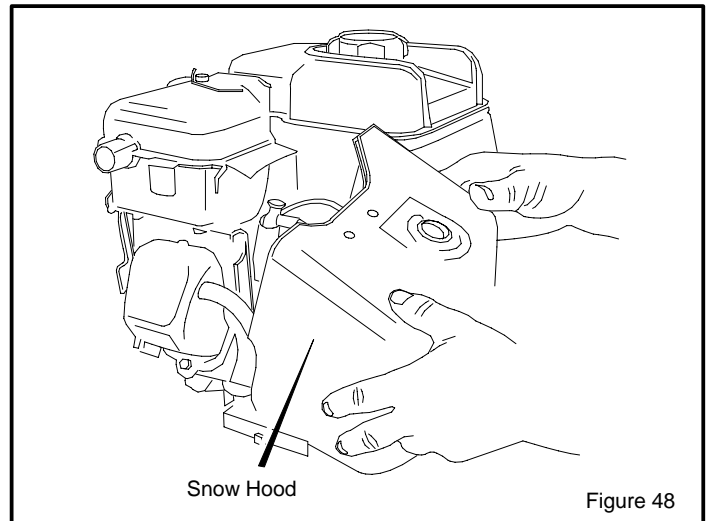
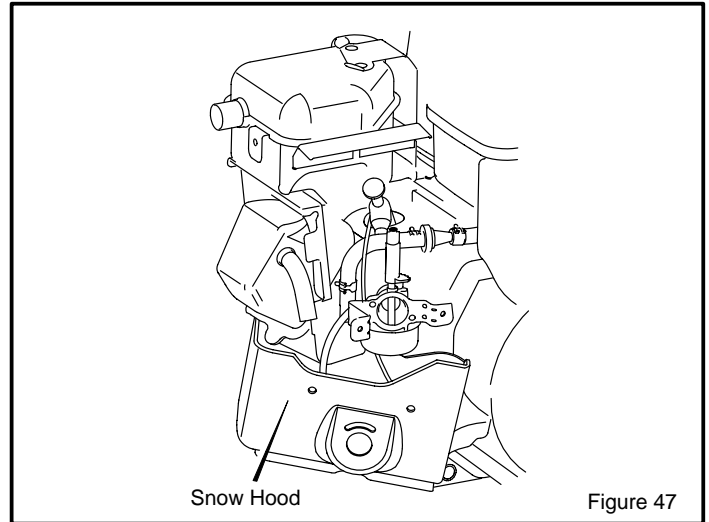
15. Install the right wheel, **axle**, and **drive sprocket** with the fasteners removed earlier. Install the **chain** onto the **drive sprocket** (see Figure 42).
16. Check the adjustment of the friction wheel. See "How To Adjust The Friction Wheel" in this section.
17. Make sure the friction wheel and the disc drive plate are free from grease or oil.
18. Install the **bottom panel** (see Figure 41).
19. Tighten the **bolts** on each side of the **bottom panel**.
20. Install the **left wheel** to the **axle** with the fasteners removed earlier.
21. Connect the spark plug wire.

MAINTENANCE

HOW TO REMOVE THE SNOW HOOD

To access the spark plug, the snow hood must be removed as follows:

1. Remove the choke control knob (see Figure 46).
2. Remove the ON/OFF key.
3. Remove the four mounting screws.
4. Slowly remove the snow hood (see Figure 47). Make sure that the primer button hose and the ignition wire are not disconnected.
5. To install the snow hood, first make sure that the primer button hose and the ignition wire are connected.
6. Mount the snow hood to the engine and secure with the four mounting screws (see Figure 48).
7. Align the tab on the choke control knob with the slot in the snow hood (see Figure 49).
8. Connect the choke control knob with the choke shaft. Make sure the choke control knob is properly installed. If the choke control knob is not installed correctly, the choke will not operate.



MAINTENANCE

AUGER SHEAR BOLT REPLACEMENT

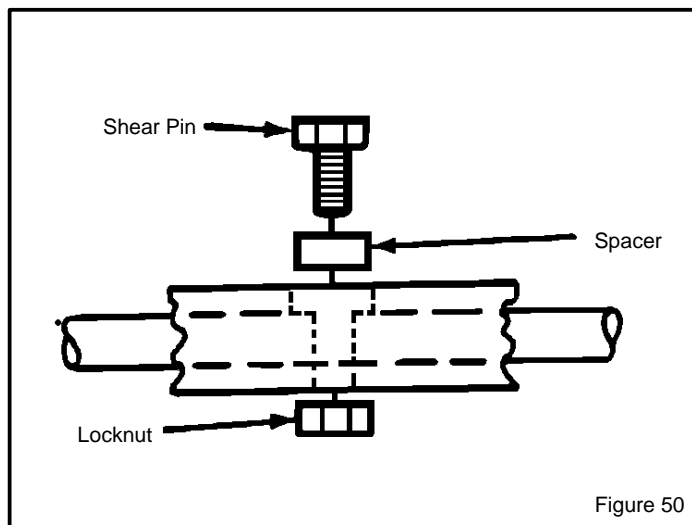
The augers are secured to the auger shaft with special bolts that are designed to break if an object becomes lodged in the auger housing. Use of a harder bolt will reduce the protection provided by the shear bolt. To replace a broken shear bolt, proceed as follows:



WARNING: To insure safety and performance levels, only original replacement shear bolts should be used.

1. Move throttle to STOP, disengage all controls, disconnect the spark plug lead wire, and insure all moving parts have stopped.
2. Align the hole in the auger with the hole in the auger shaft. Install new shear bolt, spacer and locknut found in the toolbox located on the belt cover (See Figure 50).

NOTE: The spacer fits into the larger hole in the auger tube.

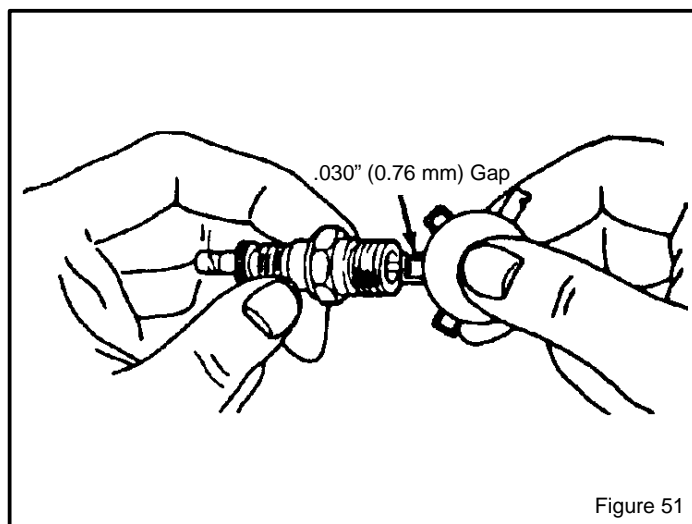


TO ADJUST OR REPLACE THE SPARK PLUG

Check the **spark plug** every twenty-five (25) hours. Replace the **spark plug** if the electrodes are pitted or burned or if the porcelain is cracked.

1. Clean spark plug and reset gap periodically.
2. Clean area around spark plug base before removal, to prevent dirt from entering engine.
3. Replace spark plug if electrodes are pitted or burned or if porcelain is cracked.
4. Clean spark plug by carefully scraping electrodes (do not sandblast or use wire brush).
5. Be sure spark plug is clean and free of foreign material. Check electrodes gap with a wire feeler gauge and reset gap to 0.030" (0.76 mm) if necessary. If a new spark plug is needed, refer to Engine Repair Parts section of this manual for proper replacement spark plug.
6. Before installing spark plug, coat threads lightly with graphite grease to insure easy removal.

7. Tighten plug firmly into engine. If torque wrench is available, torque plug to 18-23 ft-lbs.



STORAGE

OFF SEASON STORAGE



WARNING: Never store the engine, with fuel in the tank, indoors or in a poor ventilated enclosure where fuel fumes could reach an open flame, spark or pilot light as on a furnace, water heater, clothes dryer, etc.

Handle gasoline carefully. It is highly flammable and careless use could result in serious fire damage to your person and/or property.

Drain fuel into approved containers outdoors, away from open flame.

If the snowthrower is to be stored for thirty (30) days or more at the end of the snow season, the following steps are recommended to prepare your snowthrower for storage.

NOTE: Gasoline must be removed or treated to prevent gum deposits from forming in the tank, filter, hose, and carburetor during storage.

1. To remove gasoline, run engine until tank is empty and engine stops.

If you do not want to remove the gasoline, add fuel stabilizer to any gasoline left in the tank to minimize gum deposits and acids. If the tank is almost empty, mix stabilizer with fresh gasoline in a separate container and add some to the tank. ALWAYS FOLLOW INSTRUCTIONS ON STABILIZER CONTAINER. THEN RUN ENGINE AT LEAST 10 MINUTES AFTER STABILIZER IS ADDED TO ALLOW MIXTURE TO REACH CARBURETOR. STORE SNOWTHROWER IN SAFE PLACE.

2. You can help keep your engine (4-cycles only) in good operating condition by changing oil before storage.
3. Lubricating the piston/cylinder area. This can be done by first removing the spark plug and squirting clean engine oil into the spark plug hole. Then cover the spark plug hole with a rag to absorb oil spray. Next, rotate the engine by pulling the starter two or three times. Finally, reinstall spark plug and attach spark plug wire.

4. Thoroughly clean the snowthrower.
5. Lubricate all lubrication points (see "Lubrication" in the Maintenance section).
6. Insure that all nuts, bolts, and screws are securely fastened. Inspect all visible moving parts for damage, breakage, and wear. Replace if necessary.
7. Touch up all rusted or chipped paint surfaces; sand lightly before painting.
8. Cover the bare metal parts of the snowthrower housing auger, and the impeller with rust preventative.
9. If possible, store your snowthrower indoors and cover it to give protection from dust and dirt.
10. On models with folding handles, loosen the knobs that secure the upper handle. Rotate the upper handle back.
11. If the machine must be stored outdoors, block up the snowthrower and insure the entire machine is off the ground. Cover the snowthrower with a heavy tarpaulin.

REMOVING THE SNOWTHROWER FROM STORAGE

When removing the snowthrower from storage, follow the steps below.

1. Put the upper handle in the operating position, tighten the knobs that secure the upper handle.
2. Fill the fuel tank with a fresh fuel.
3. Check the spark plug. Make sure the gap is correct. If the spark plug is worn or damaged, replace before using.
4. Make sure all fasteners are tight.
5. Make sure all guards, shields, and covers are in place.
6. Make sure all adjustments are correct.

TROUBLE SHOOTING CHART

| PROBLEM | LOOK FOR | REMEDY |
|-------------------------------------|---|--|
| Difficult starting | Defective spark plug. | Replace defective spark plug. |
| Engine runs erratically | Blocked fuel line. | Clean fuel line. |
| | Empty gas tank. | Check fuel supply, |
| | Stale gasoline. | Add fresh gasoline with fuel stabilizer. |
| | Water or dirt in fuel system. | Remove carburetor bowl to drain fuel tank. Refill with fresh fuel. CAUTION: Do not remove carburetor bowl when the engine is hot. |
| Engine stalls | Unit running on CHOKE. | Set choke lever to RUN position. |
| Loss of power | Gas cap vent hole is plugged. | Remove ice and snow from cap. Be sure vent hole is clear. |
| Excessive vibration | Loose parts or damaged impeller. | Stop engine immediately and remove spark plug wire. Tighten all bolts and make all necessary repairs. If vibration continues, have the unit serviced by a competent repairman. |
| Unit fails to propel itself | Drive belt loose or damaged. | Replace drive belt. Refer to Drive Belt Replacement in the Maintenance section of this manual. |
| | Incorrect adjustment of traction drive cable. | Adjust traction drive cable. Refer to Cable Adjustment in the Maintenance section of this manual. |
| | Worn or damaged friction disc. | Replace friction disc. Refer to Friction Wheel Replacement in the Maintenance section of this manual. |
| Unit fails to discharge snow | Auger drive belt loose or damaged. | Replace or adjust auger drive belt. Refer to Drive Belt Replacement and Drive Belt Adjustment in the Maintenance section of this manual. |
| | Auger control cable not adjusted correctly. | Adjust auger control cable. Refer to Cable Adjustment in the Maintenance section of this manual. |
| | Broken shear bolt. | Replace shear bolt. Refer to Auger Shear Bolt Replacement in the Maintenance section of this manual. |
| | Discharge chute clogged. | Stop engine immediately and disconnect spark plug wire. Refer to the first Warning in Snowthrower Operation in the Operation section of this manual. Clean discharge chute and inside of auger housing. |
| | Foreign object lodged in auger. | Stop engine immediately and disconnect spark plug wire. Refer to the third Warning in Snowthrower Operation in the Operation section of this manual. Remove object from auger. |

Identifying Your Snowthrower

Your new Snow blower has two (2) identifying numbers: (1) unit model number: (2) unit serial number. The two preceding numbers are required to insure that the proper replacement parts are obtained when required. If you have any questions concerning parts, service, or technical data, contact your nearest John Deere/Frontier dealer.

For complete warranty information refer to the warranty in the Owner's Information section of this manual.

REPLACEMENT PARTS

WE RECOMMEND JOHN DEERE/FRONTIER quality parts and lubricants available at your John Deere/Frontier dealer.

PART NUMBERS MAY CHANGE. When you order replacement parts, use the part numbers listed below and on the following pages. If a part number changes, your John Deere/Frontier dealer will have the latest part number.

WHEN YOU ORDER PARTS, your John Deere/Frontier dealer must have your snowthrower model and serial number and your engine model number. This is the model and serial number that you recorded in the "Owner's Information" section of this Owner's Manual.

QUICK REFERENCE PART NUMBERS

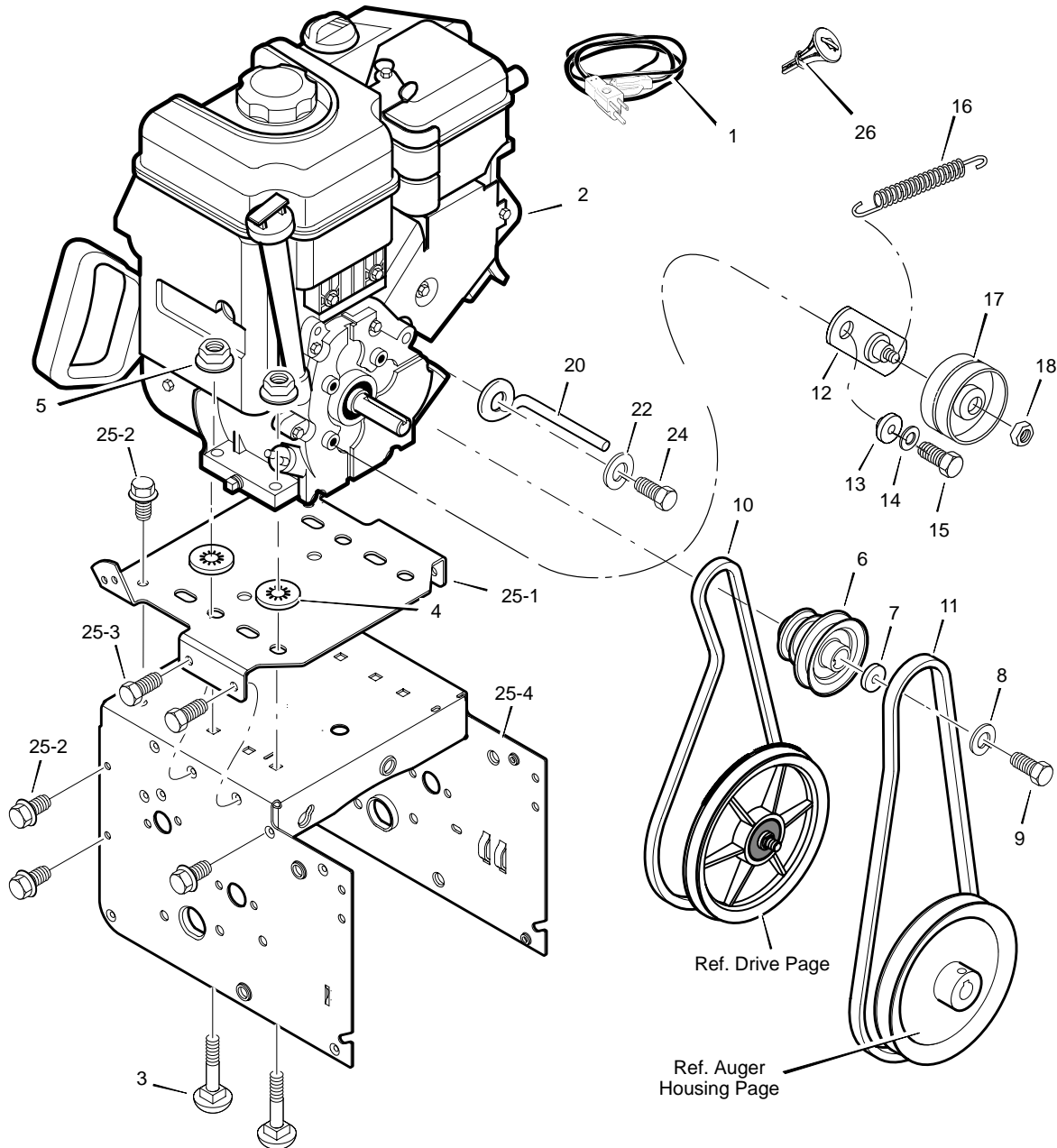
The following is a list of replacement parts that you may need for routine service and maintenance. If you do not see the replacement part you need in the following chart, then check the full list of replacement part illustrations following this page.

| ITEM | PART NUMBER * |
|---------------|-----------------|
| Belt, Drive | MT579932 |
| Belt, Auger | MT37x120 |
| Scraper Blade | MT581399E701 |
| Spark Plug | Champion RC12YC |

* **Part Numbers are subject to change without notice.**

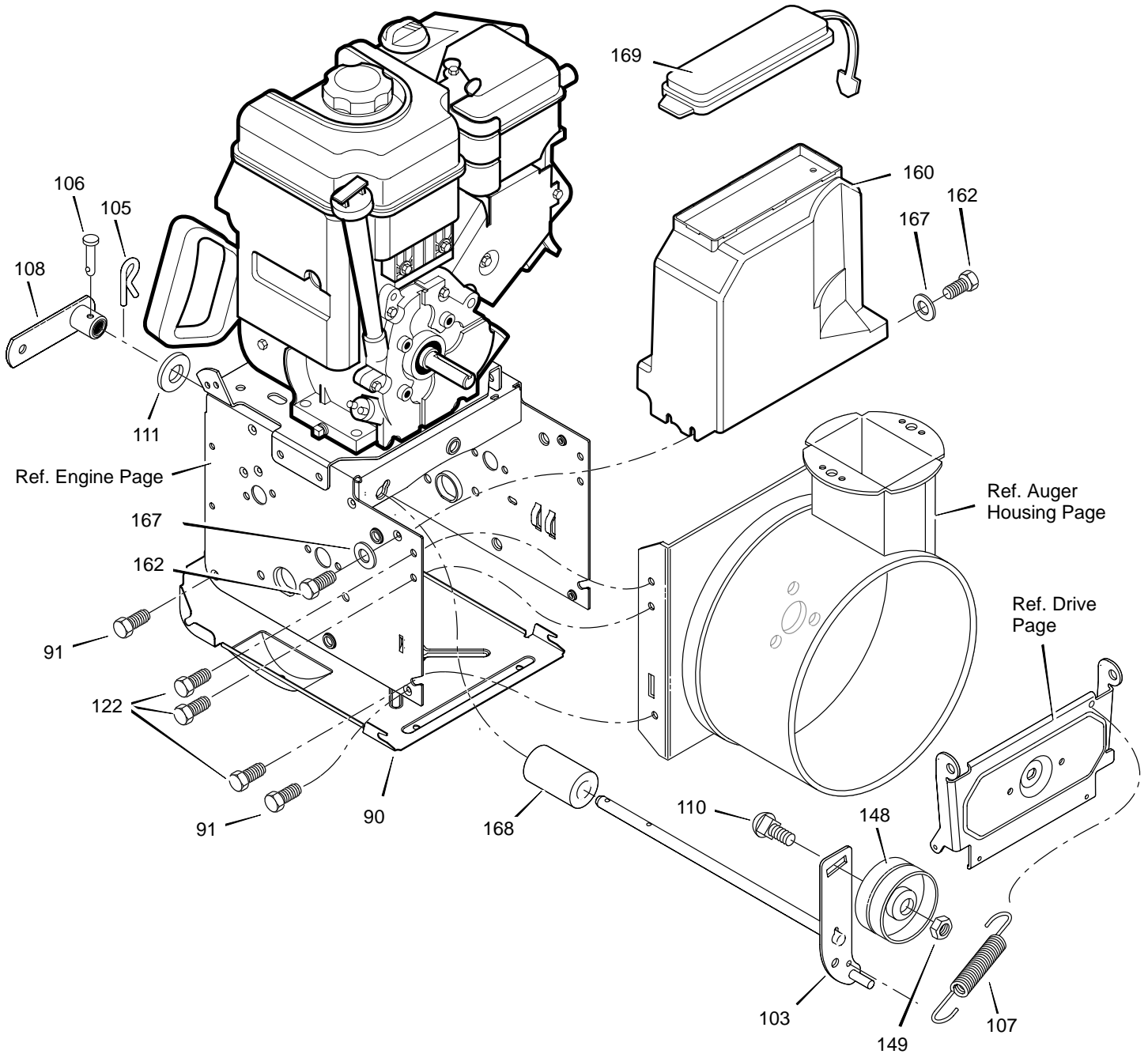
FRONTIER MODEL ST0726

FACTORY MODEL 626750x16A ENGINE



| Key No. | Part No. | Description |
|---------|--------------|-------------------------|
| 1 | MT6219 | CORD, STARTER |
| 2 | - - - - - | ENGINE |
| 3 | MT002x97 | BOLT, CARRIAGE |
| 4 | MT028x76 | RETAINER, PUSH |
| 5 | MT710026 | NUT |
| 6 | MT1501109 | PULLEY, ENGINE |
| 7 | MT710247 | WASHER |
| 8 | MT71063 | WASHER |
| 9 | MT71015 | SCREW |
| 10 | MT579932 | BELT, DRIVE V 3L |
| 11 | MT37X120 | BELT, AUGER V 4L |
| 12 | MT1501112 YZ | BRACKET ASSEMBLY, IDLER |
| 13 | MT1501065 | BUSHING, IDLER BRACKET |
| 14 | MT71060 | WASHER, SPLIT |

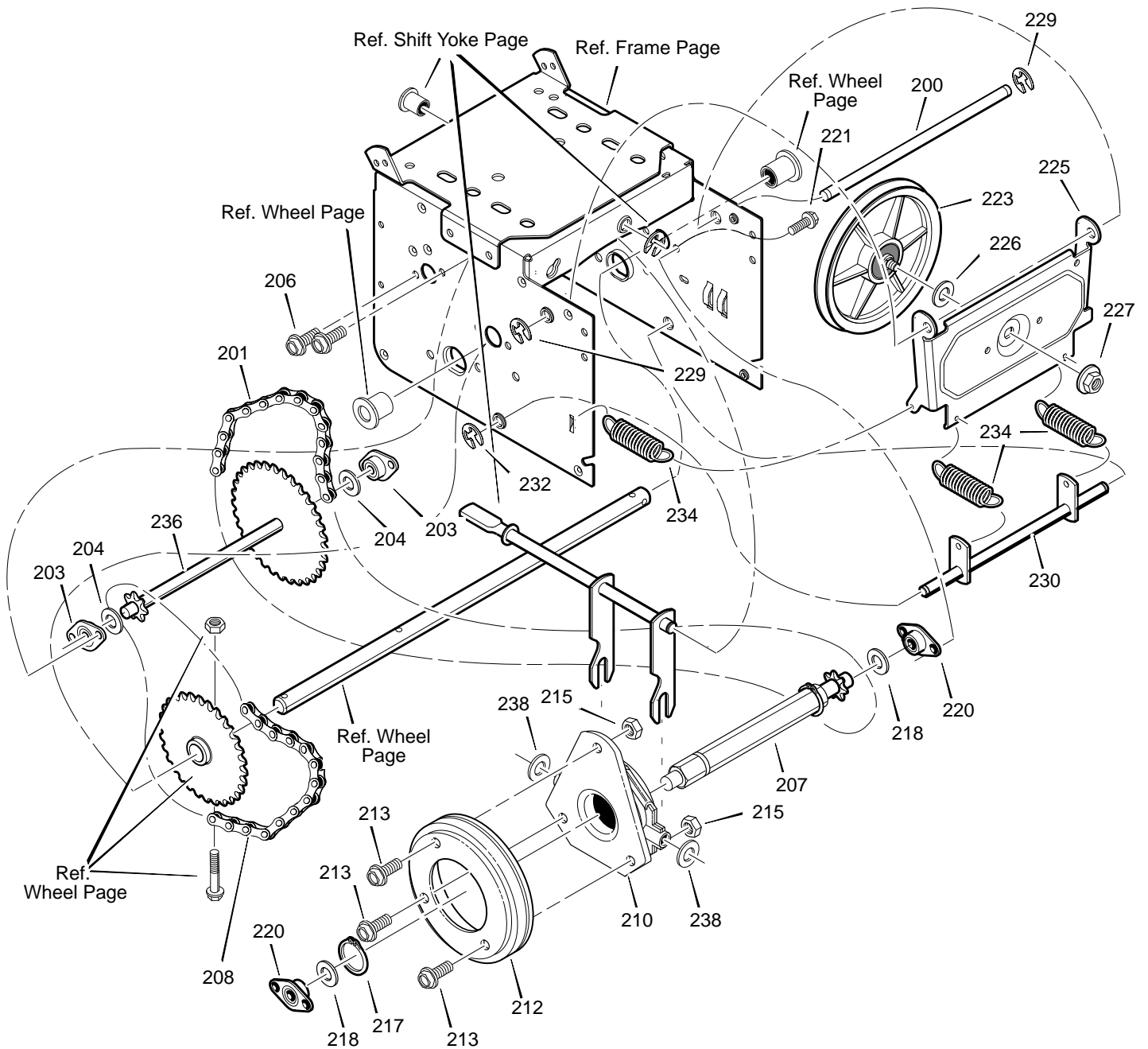
| Key No. | Part No. | Description |
|---------|---------------|------------------------------|
| 15 | MT710097 | SCREW 5/16-24 X 1.00 |
| 16 | MT53704 | SPRING, IDLER TRACTION DRIVE |
| 17 | MT50793 | PULLEY, IDLER |
| 18 | MT590 | NUT, JAM 3/8-16 |
| 20 | MT1501201 | GUIDE, ROD BELT |
| 22 | MT71060 | WASHER |
| 24 | MT710097 | SCREW |
| 25 | - - - - - | FRAME ASSEMBLY |
| 25-1 | MT1501062E511 | PLATE, ENGINE |
| 25-2 | MT310169 | SCREW |
| 25-3 | MT25x020 | SCREW |
| 25-4 | MT1501050E511 | MOTOR BOX |
| 26 | MT1501214 | KEY, BRIGGS ENGINE |
| -- | MTF-031071L | OWNER'S MANUAL |



FRONTIER MODEL ST0726

FACTORY MODEL 626750x16A FRAME

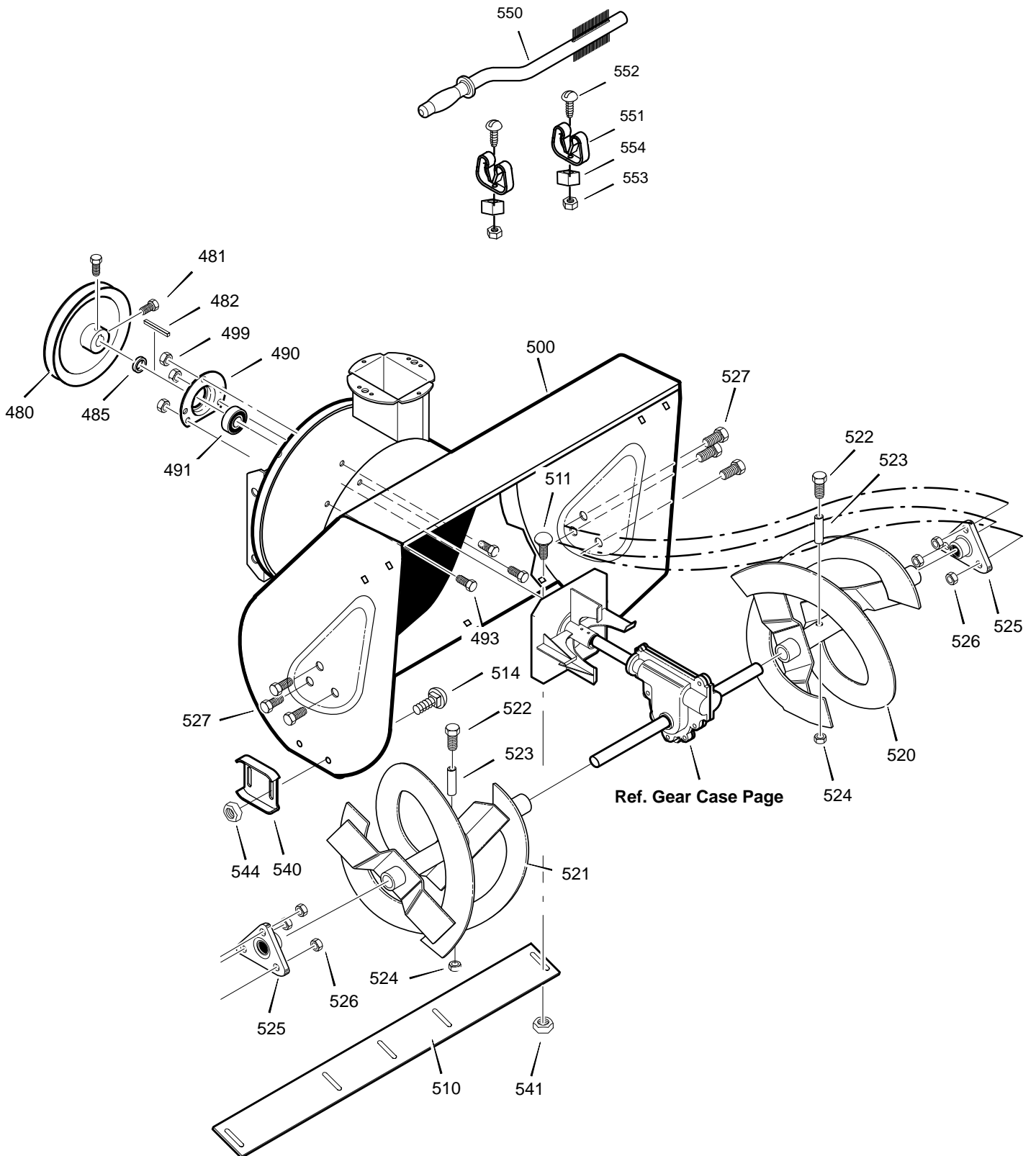
| Key No. | Part No. | Description |
|----------------|-----------------|--------------------------|
| 90 | MT1501055E701 | COVER, BOTTOM |
| 91 | MT310169 | SCREW, 1/4-20X .63 |
| 103 | MT1501111 YZ | IDLER ASSEMBLY, AUGER |
| 105 | MT711682 | PIN, HAIR .38DIAx1.64LG |
| 106 | MT761761 | PIN, CLEVIS 3/16" DIA |
| 107 | MT165x160 | SPRING, TENSION |
| 108 | MT761675 YZ | ASSY., SPRING ATTACH |
| 110 | MT585781 | BOLT, 3/8-16x1.25 CARR. |
| 111 | MT711617 | WASHER, FLAT |
| 122 | MT780055 | SCREW, TAP 5/16-18 X .50 |
| 148 | MT50793 | PULLEY, IDLER |
| 149 | MT590 | NUT, JAM 3/8-16 |
| 160 | MT1501052 | COVER, BELT |
| 162 | MT26x306 | SCREW, TAP |
| 167 | MT71067 | WASHER, FLAT |
| 168 | MT1501200 | SPACER, AUGER BRACKET |
| 169 | MT760539 | LID, TOOL BOX |



FRONTIER MODEL ST0726

FACTORY MODEL 626750x16A DRIVE

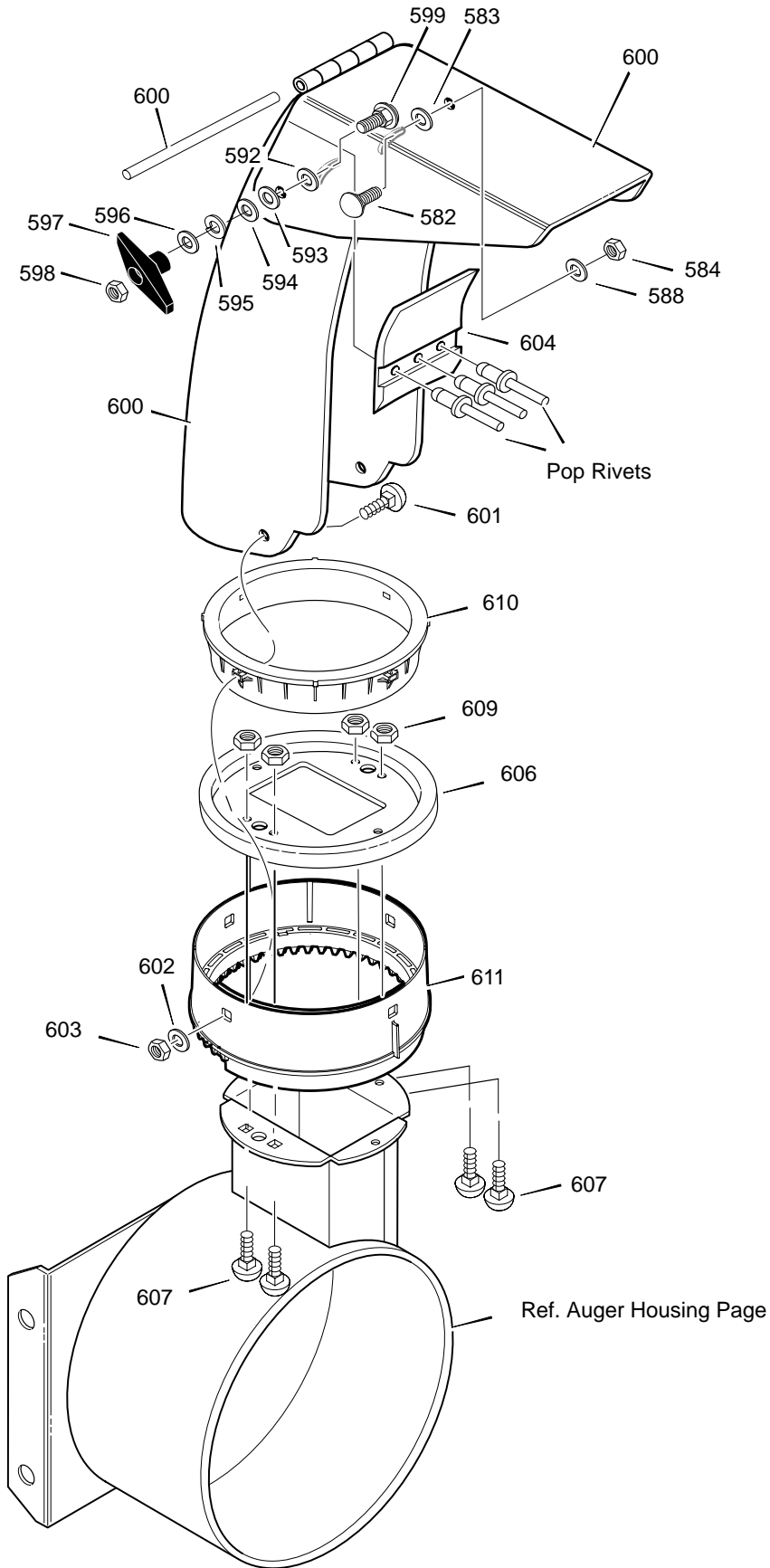
| Key No. | Part No. | Description |
|---------|--------------|-----------------------------|
| 200 | MT1501092 YZ | LF AXLE, SWING PLATE YZ |
| 201 | MT579851 | CHAIN, ROLLER #420x19.00 |
| 203 | MT334163 | BEARING AND RETAINER, ASSY |
| 204 | MT579858 | WASHER |
| 206 | MT780055 | SCREW, TAP 5/16-18x0.5 |
| 207 | MT1501100 | ASSY, HEX SHAFT |
| 208 | MT579868 | CHAIN, ROLLER #420x18.00 LG |
| 210 | MT337029 | BEARING, TRUNION CLUTCH R |
| 212 | MT1501435 | WHEEL, FRICTION DISC |
| 213 | MT001x38 | BOLT |
| 215 | MT303008 | NUT, KEPS HEX 1/4-20 |
| 217 | MT579859 | RING, RETEXT |
| 218 | MT579858 | WASHER |
| 220 | MT334163 | BEARING AND RETAINER, ASSY |
| 221 | MT780055 | SCREW, TAP 5/16-18 x .5 |
| 223 | MT1501115 | FRICTION PULLY |
| 225 | MT1501057 YZ | LF PLATE, SWINGING YZ |
| 226 | MT1501158 | SPACER, FRICTION PULLEY |
| 227 | MT15X114 | NUT, FLANGE LOCK 3/8-24 |
| 229 | MT11X30 | RETAINER, RING |
| 230 | MT1501107 YZ | LF ASSY, SPRING LINK YZ |
| 232 | MT11X30 | RETAINER, RING |
| 234 | MT165X112 | SPRING, EXTENSION |
| 236 | MT1501090 | SPROCKET 33/7 |
| 238 | MT71074 | WASHER, FLAT |



FRONTIER MODEL ST0726

FACTORY MODEL 626750x16A AUGER HOUSING

| Key No. | Part No. | Description |
|---------|---------------|-------------------------|
| 480 | MT762146 | PULLEY, 4L 6.12X .67 |
| 481 | MT577400 | SCREW, 5/16-18X.63 |
| 482 | MT2001022 | KEY, SQUARE 3/16 X 3/4 |
| 485 | MT1501158 | SPACER, FRICTION PULLEY |
| 490 | MT582957 YZ | RETAINER, BALL BRNG |
| 491 | MT43846 | BEARING, BALL |
| 493 | MT001X92 | BOLT, HEX 5/16-18X .50 |
| 499 | MT710026 | NUT, 5/16-18 HEXWDFLLK |
| 500 | MT1501586E511 | HOUSING, ASSY |
| 510 | MT581399E701 | BLADE, SCRAPER |
| 511 | MT340714 | BOLT, 1/4-20X.75 |
| 514 | MT780285 | NUT, 1/4-20 |
| 520 | MT1501737E701 | AUGER, ASSY, LH |
| 521 | MT1501736E701 | AUGER, ASSY, RH |
| 522 | MT9524 | SCREW, 1/4-20X1.75 |
| 523 | MT3943 | SPACER, SLEEVE |
| 524 | MT73826 | NUT, 1/4-20 |
| 525 | MT9517 | BEARING, FLANGE |
| 526 | MT711862 | NUT, 5/16-18 |
| 527 | MT9357 | SCREW, 5/16-18X .75 |
| 540 | MT1501609E701 | SKID, HEIGHT ADJUST |
| 541 | MT340720 | BOLT, 5/16-18 X .75 |
| 544 | MT710026 | NUT, 5/16-18 |
| 550 | MT1501576 | BRUSH, CLEANOUT |
| 551 | MT1501672 | CLIP, RETAINER |
| 552 | MT06x115 | SCREW |
| 553 | MT15x146 | NUT |
| 554 | MT578063 | BLOCK |
| - - | MT1501216 | Kit, Shear Bolt |



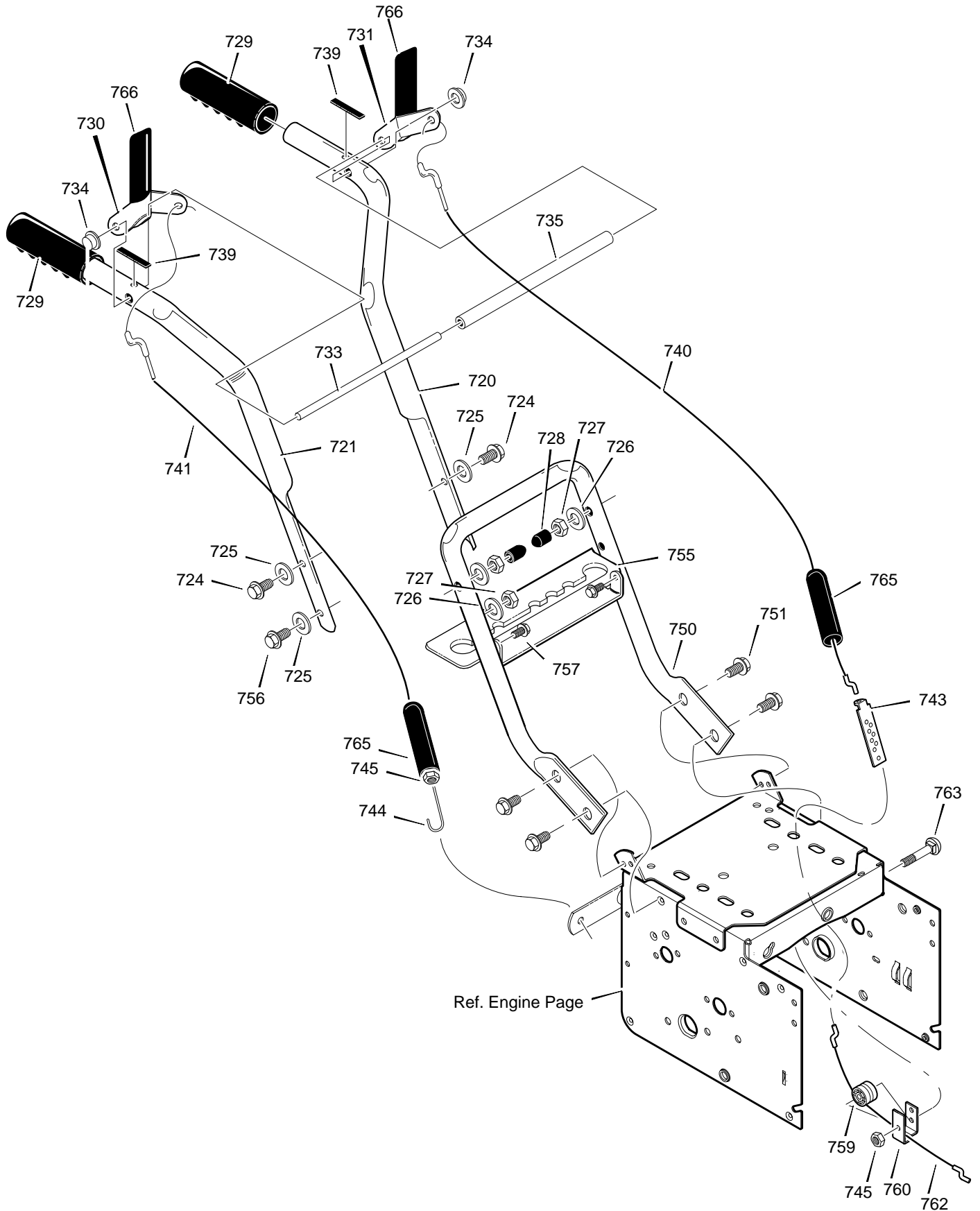
FRONTIER MODEL ST0726

FACTORY MODEL 626750x16A DISCHARGE CHUTE

| Key No. | Part No. | Description |
|---------|--------------|-----------------------------|
| 582 | MT340720 | BOLT, CARRIAGE 5/16-18 X.75 |
| 583 | MT12021 | WASHER, PLASTIC |
| 584 | MT71038 | NUT, 5/16-18 REGHEX NYLOCK |
| 588 | MT6711 | WASHER, PLASTIC |
| 592 | MT12021 | WASHER, PLASTIC |
| 593 | MT6711 | WASHER, PLASTIC |
| 594 | MT71071 | WASHER, FLAT |
| 595 | MT71060 | WASHER, SPLIT |
| 596 | MT71071 | WASHER, FLAT |
| 597 | MT57171 | KNOB, T 3.00 |
| 598 | MT15x144 | NUT, 5/16-18 REGHEX |
| 599 | MT3316 | BOLT, 5/16-18X1.00 |
| 600 | MT760990E701 | CHUTE ASSEMBLY |
| 601 | MT2x100 | BOLT, 5/16-18 X1.00 |
| 602 | MT71071 | WASHER, FLAT |
| 603 | MT71038 | NUT, 5/16-18 HEXNYL |
| 604 | MT760268 | FLAP, CHUTE |
| 606 | MT585214 YZ | CHUTE COLLAR |
| 607 | MT02x101 | SCREW, 1/4-20 X 0.75 |
| 609 | MT15x145 | NUT, 1/4-20 HEX NYLOCK |
| 610 | MT337227 | RETAINER RING INNER |
| 611 | MT1501282 | RETAINER RING OUTER |

FRONTIER MODEL ST0726

FACTORY MODEL 626750x16A HANDLE



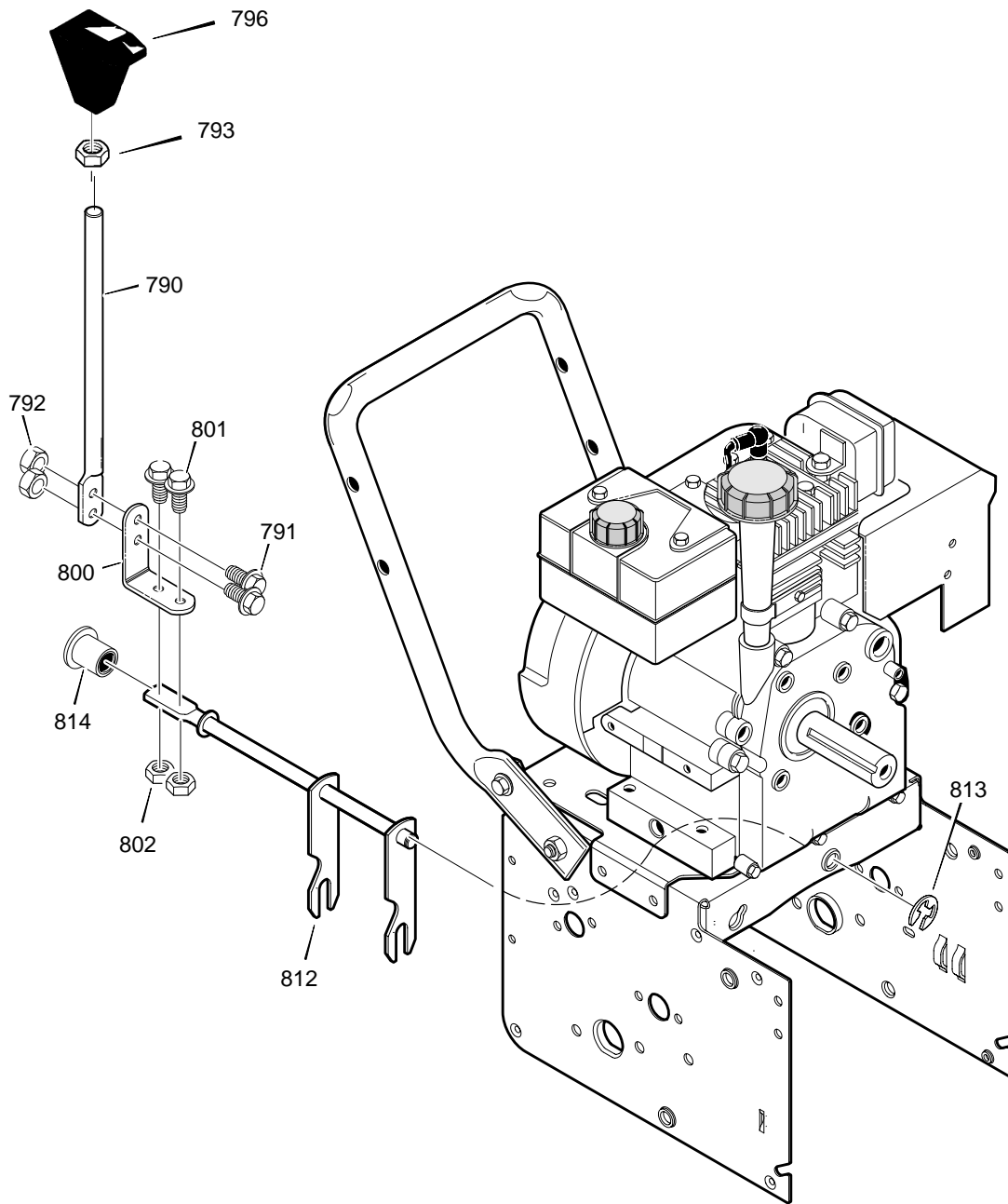
FRONTIER MODEL ST0726

FACTORY MODEL 626750x16A HANDLE

| Key No. | Part No. | Description |
|---------|---------------|-----------------------------|
| 720 | MT1501205E701 | HANDLE, UPPER LH |
| 721 | MT1501206E701 | HANDLE, UPPER RH |
| 724 | MT11234 | SCREW, 5/16-18X2.75 |
| 725 | MT71071 | WASHER, FLAT |
| 726 | MT71060 | WASHER, SPTLK .31X.58X.08 |
| 727 | MT15X144 | NUT, 5/16-18 REGHEX |
| 728 | MT11261 | STOP, RED PLASTIC |
| 729 | MT337399 | GRIP-HANDLE FINGER |
| 730 | MT337816E701 | LEVER, ASSY CLUTCH DRIVE RH |
| 731 | MT337815E701 | LEVER, ASSY CLUTCH DRIVE LH |
| 733 | MT337381 | ROD, PIVOT CLUTCH |
| 734 | MT761105 | NUT, PUSH ON CAP |
| 735 | MT337373 | SPACER-HANDLE |
| 739 | MT4049 | BUMPER, RECTANGLE |
| 740 | MT1501123 | CABLE, CLUTCH 28.44L |
| 741 | MT761872 | CABLE, AUGER CLUTCH |
| 743 | MT313441 | BRACKET, CABLE ADJUSTER |
| 744 | MT1673 | SPRING, AUGER CLUTCH |
| 745 | MT15x145 | NUT, 1/4-20 |
| 750 | MT339541E701 | HANDLE, LOWER |
| 751 | MT25x021 | SCREW |
| 755 | MT337407E701 | BRKT, GEAR SELECTOR |
| 756 | MT6751 | SCREW, 5/16-18X2.00 |
| 757 | MT310169 | SCREW, 1/4-20 X 0.63 |
| 759 | MT579860 | SPOOL-CABLE, AUGER CLUTCH |
| 760 | MT1501059 YZ | BRACKET, CABLE SPOOL YZ |
| 762 | MT1501122 | CABLE, LOWER DRIVE 12" |
| 763 | MT001798 | BOLT, HEX 1/4-20 X 1.50 YZ |
| 765 | MT308146 | BOOT, CLUTCH SPRING |
| 766 | MT337380 | GRIP |

FRONTIER MODEL ST0726

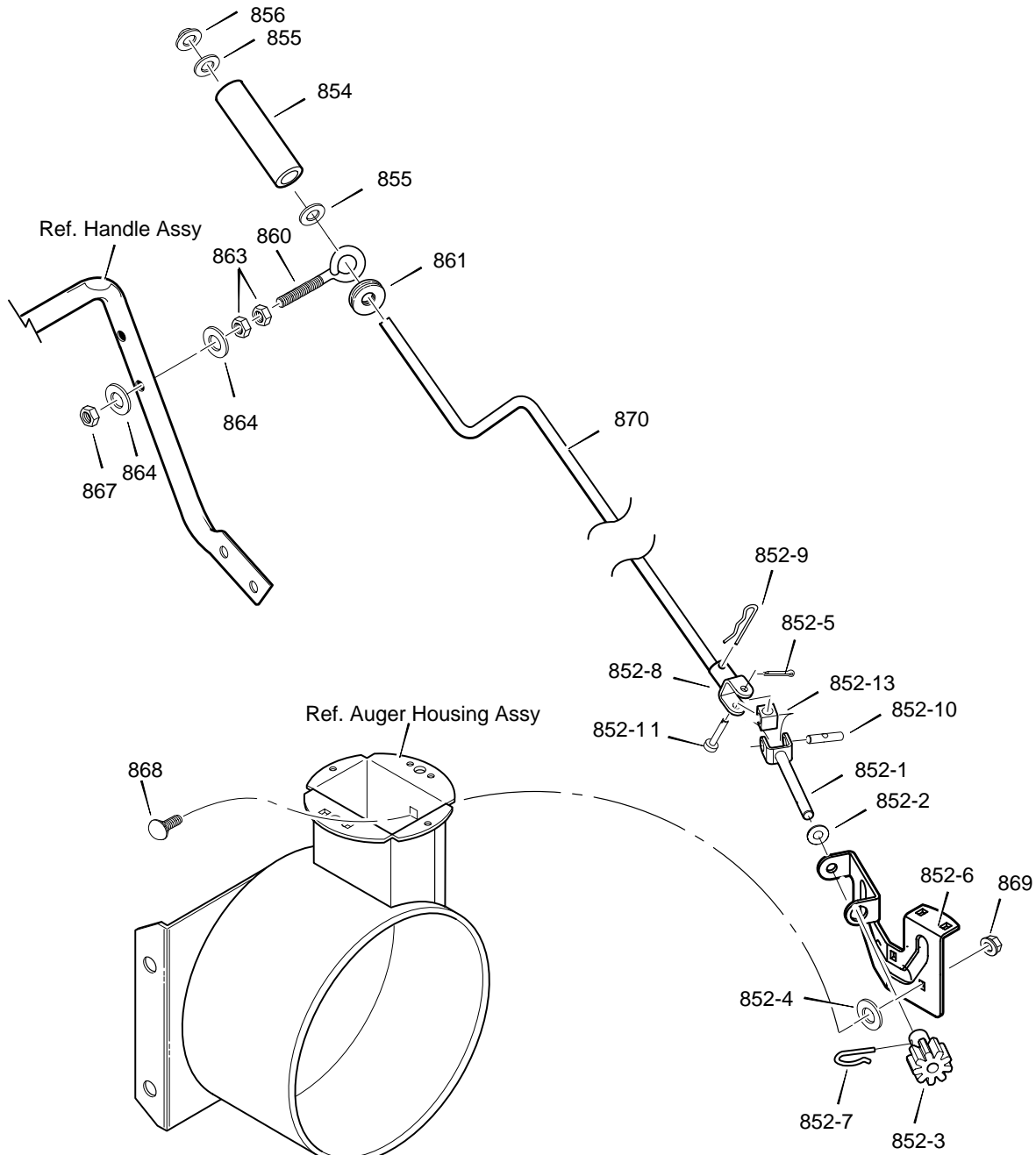
FACTORY MODEL 626750x16A SHIFT YOKE



| Key No. | Part No. | Description |
|---------|--------------|-------------------------|
| 790 | MT581631E701 | ROD, SHIFT |
| 791 | MT302628 | SCREW, 1/4-20X.75 |
| 792 | MT73826 | NUT, 1/4-20 |
| 793 | MT318486 | NUT, JAM |
| 796 | MT304438 | KNOB |
| 800 | MT760564 | LEVER, SPRING |
| 801 | MT302628 | SCREW, 1/4-20X.75 |
| 802 | MT73826 | NUT, 1/4-20 |
| 811 | MT579944 | BEARING, FLANGED |
| 812 | MT1501085 YZ | ROD ASSY., SPEED SELECT |
| 813 | MT11x30 | RETAINER, RING |

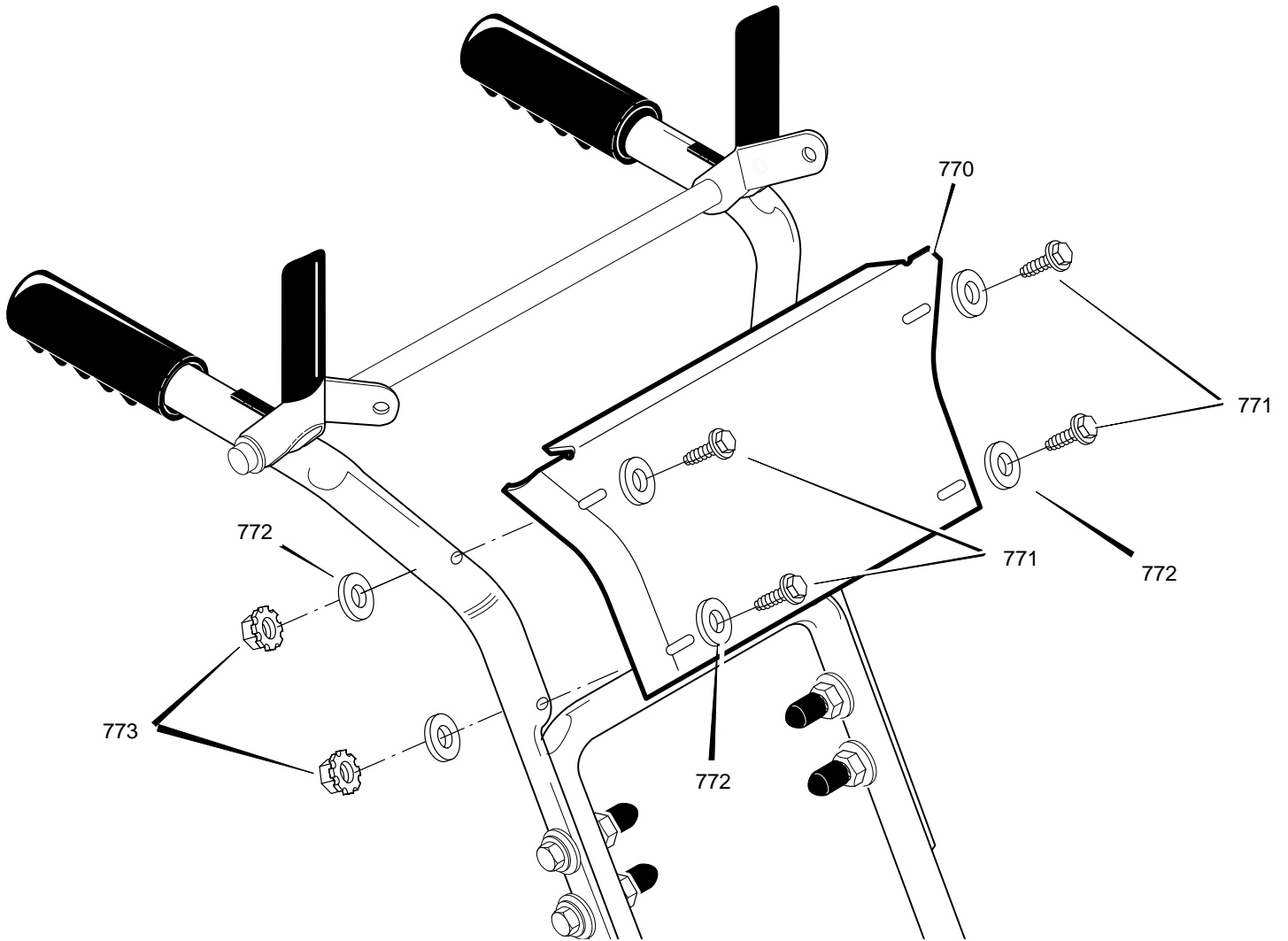
FRONTIER MODEL ST0726

FACTORY MODEL 626750x16A CHUTE ROD



| Key No. | Part No. | Description |
|---------|---------------|---------------------------|
| 852-1 | MT1501309 YZ | ASSEMBLY, YOKE & ROD |
| 852-2 | MT313431 | WASHER, CURVED SPRING |
| 852-3 | MT1501067 | GEAR, CHUTE ROTATION 9T |
| 852-4 | MT17X170 | WASHER |
| 852-5 | MT579493 | PIN, COTTER |
| 852-6 | MT1501306E701 | BRACKET, GEAR MOUNT |
| 852-7 | MT1501293 | PIN, HAIR |
| 852-8 | MT1501075 YZ | ASSEMBLY, YOKE ADAPTER YZ |
| 852-9 | MT711682 | PIN, HAIR |
| 852-10 | MT578060 | PIN, UNIVERSAL JOINT |
| 852-11 | MT578309 | PIN, CLEVIS |
| 852-13 | MT578063 | HOUSING, UNIVERSAL |

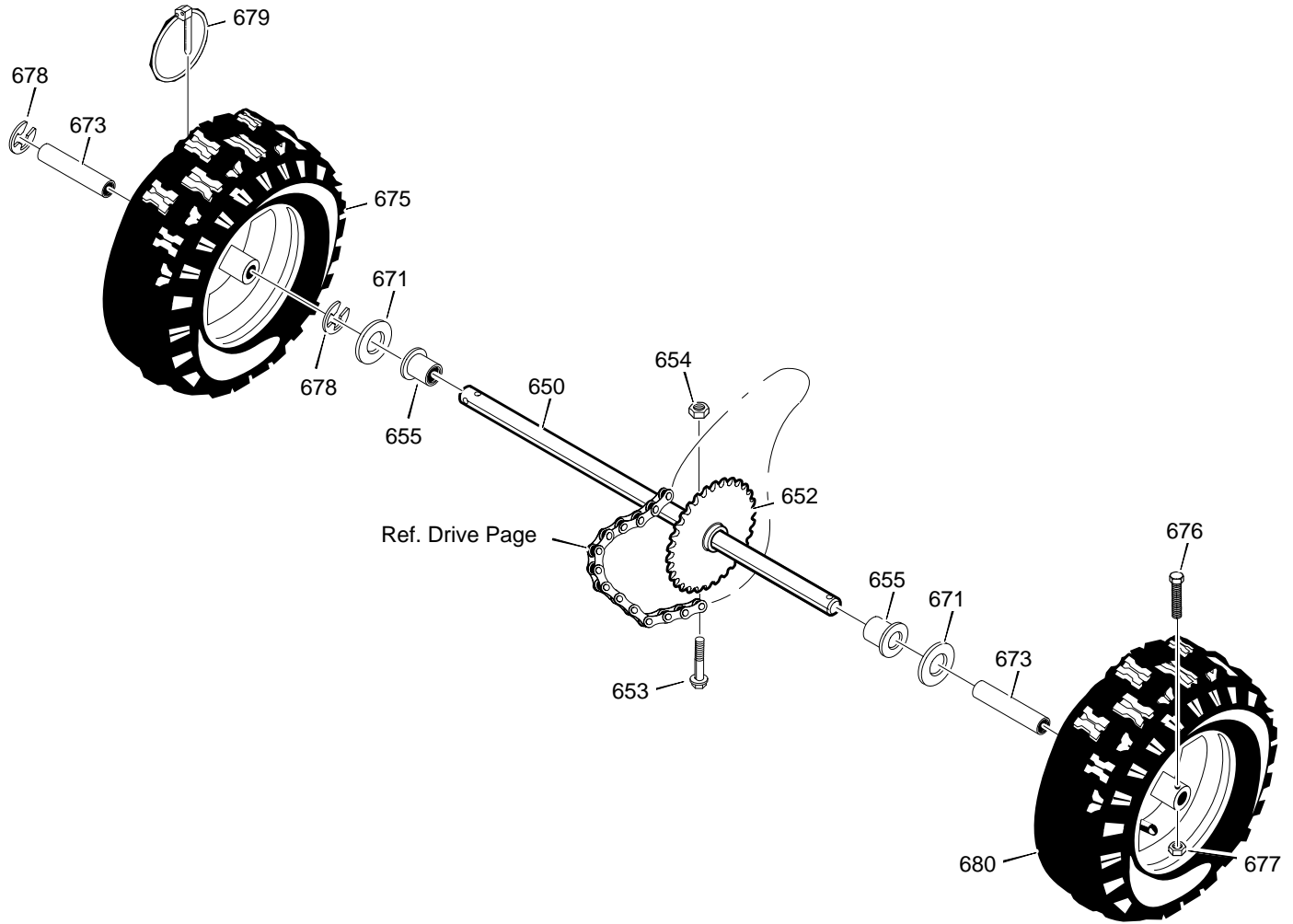
| Key No. | Part No. | Description |
|---------|--------------|------------------------------|
| 854 | MT51443 | KNOB, SLEEVE |
| 855 | MT309312 | FLATWASHER |
| 856 | MT73664 | NUT, PUSH ON 3/8" |
| 860 | MT581618 | EYE BOLT 3/8-16X6.00 |
| 861 | MT148 | GROMMET, EYE BOLT |
| 863 | MT71045 | NUT, 3/8-16 HEXJAM |
| 864 | MT71072 | FLATWASHER .406X.81X.066 |
| 867 | MT71046 | NUT, 3/8-16 HEXNYL |
| 868 | MT002X98 | BOLT, CARRIAGE 1/4-20 X 1.00 |
| 869 | MT15X145 | NUT |
| 870 | MT1501074 YZ | CRANK, ASSY CHUTE |



| Key No. | Part No. | Description |
|---------|---------------|----------------|
| 770 | MT1501203E701 | PANEL |
| 771 | MT002x99 | BOLT, CARRIAGE |
| 772 | MT71067 | WASHER |
| 773 | MT15x145 | NUT |

FRONTIER MODEL ST0726

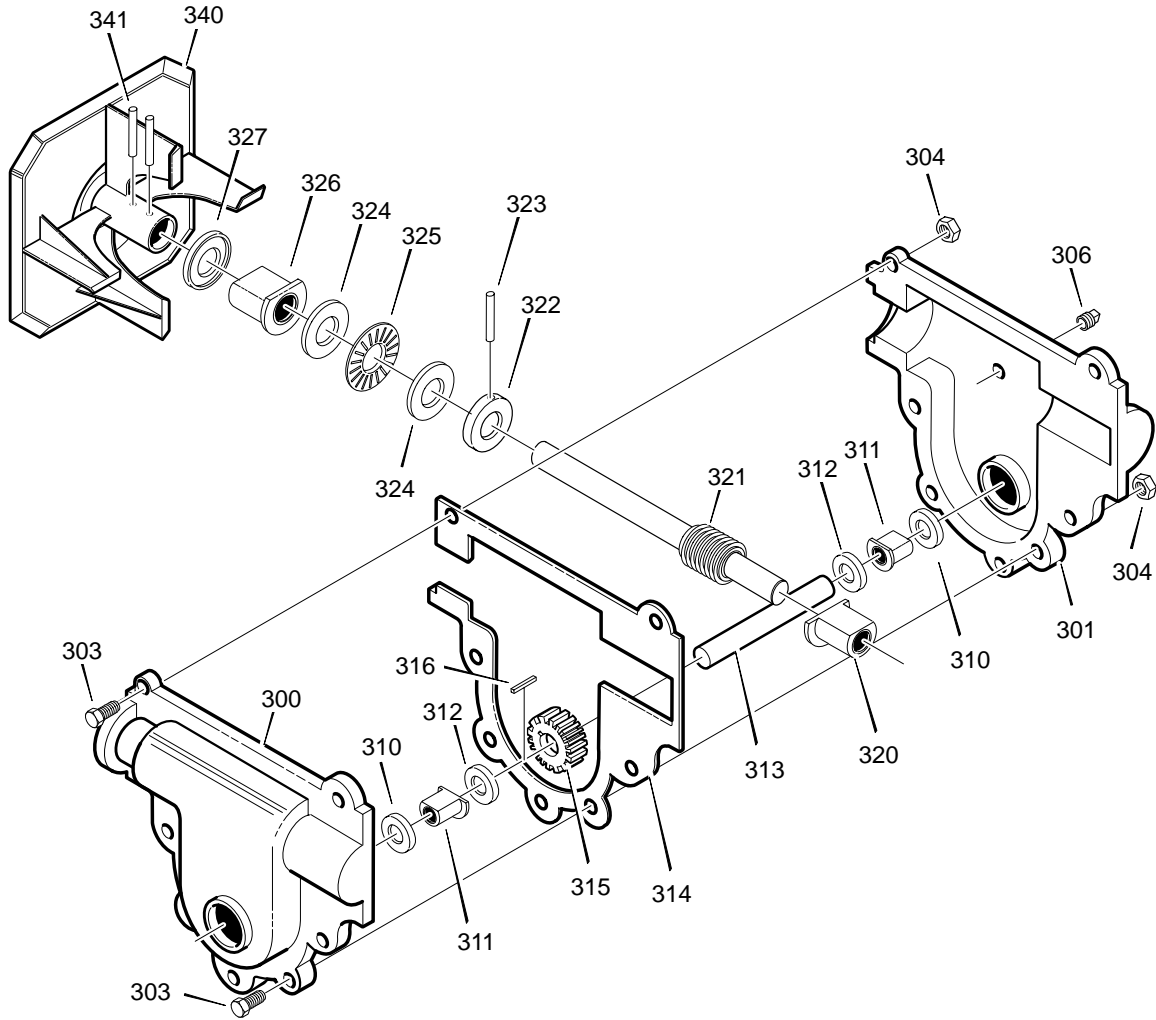
FACTORY MODEL 626750x16A WHEELS



| Key No. | Part No. | Description |
|---------|-----------|--------------------------|
| 650 | MT1501562 | SHAFT, AXLE |
| 652 | MT1501089 | SPRKT & HUB |
| 653 | MT01x193 | SCREW, 1/4-20 x 1.75 |
| 654 | MT15x145 | NUT, 1/4-20 HEX NYLOCK |
| 655 | MT1501114 | BEARING, AXLE |
| 671 | MT712120 | FLATWASHER |
| 673 | MT1501139 | BUSHING, WHEEL |
| 675 | MT1501656 | TIRE & RIM, RIGHT |
| 676 | MT577015 | SCREW, 1/4-20X1.75 HH |
| 677 | MT15X145 | NUT, 1/4-20 HEX NYLOCK |
| 678 | MT239 | RING, RET |
| 679 | MT73842 | PIN, KLIK .25 X 1.38 DIA |
| 680 | MT1501656 | TIRE & RIM, LEFT |

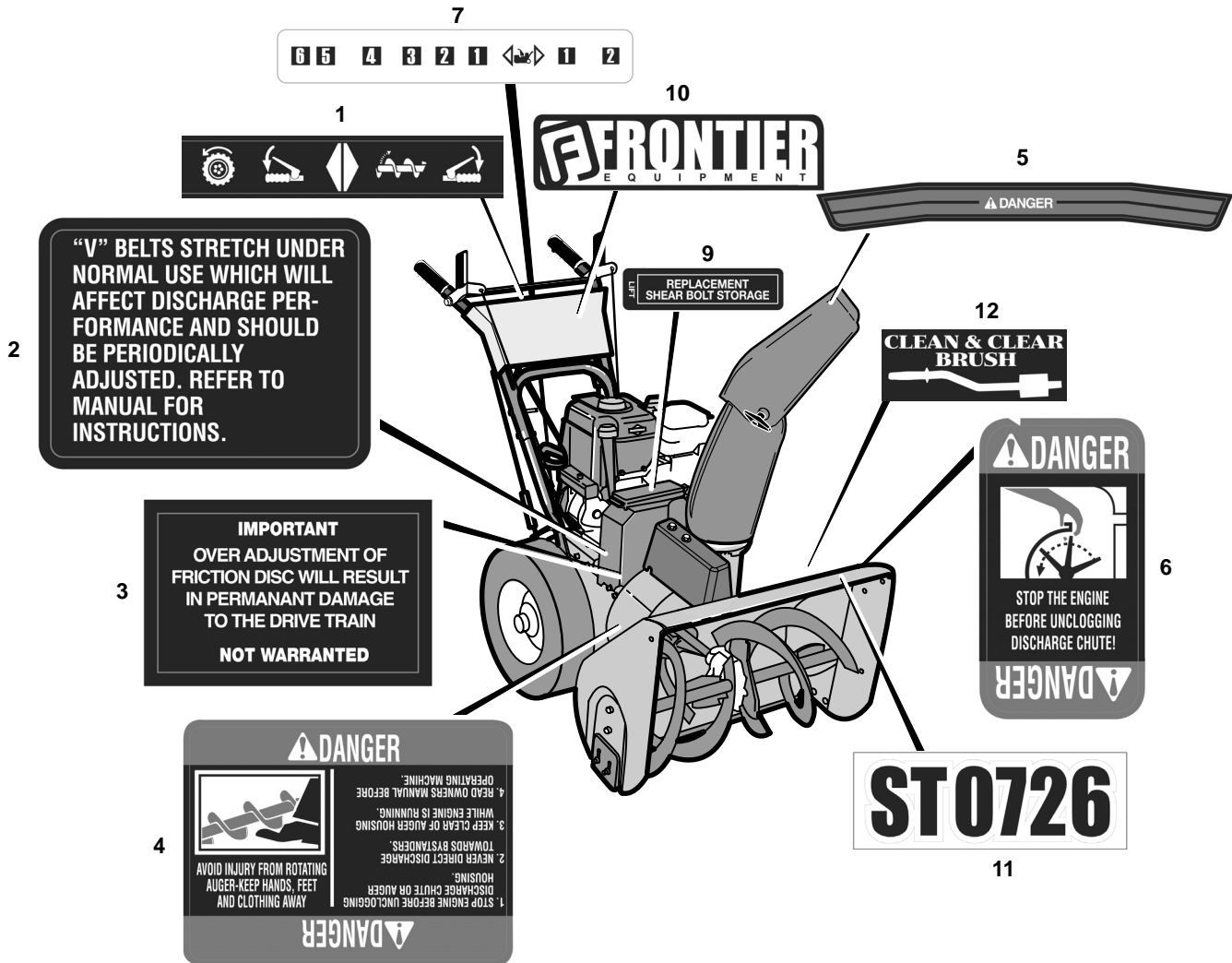
FRONTIER MODEL ST0726

FACTORY MODEL 626750x16A GEAR CASE



| Key No. | Part No. | Description |
|---------|----------|---|
| | 300 | MT10577 CASE, GEAR, RH |
| | 301 | MT10576 CASE, GEAR, LH |
| | 303 | MT710025 SCREW, 1/4-20X.75 |
| | 304 | MT15X143 NUT, 1/4-20 |
| | 306 | MT9344 SCREW, 3/8-16X.50 |
| | 310 | MT9566 SEAL, OIL |
| | 311 | MT50304 BEARING, FL |
| | 312 | MT48275 WASHER, FLAT |
| | 313 | MT340284 SHAFT, AUGER OUTPUT |
| | 314 | MT51279 GASKET, GEAR BOX |
| | 315 | MT51405 GEAR, WORM |
| | 316 | MT431787 KEY, WOODRUFF #61 |
| | 320 | MT50221 BRNG, FL |
| | 321 | MT1501128 SHAFT, AUGER INPUT (IMPELLER) |
| | 322 | MT580295 COLLAR, THRUST |
| | 323 | MT454565 PIN, SPRING |
| | 324 | MT48275 WASHER, FLAT |
| | 325 | MT50684 BRNG, ROLL |
| | 326 | MT50304 BRNG, FL |
| | 327 | MT9566 SEAL, OIL |
| | 340 | MT760194E701 IMPELLER |
| | 341 | MT454565 PIN, SPRING |
| | * | MT333431 10oz TUBE LUBRIPLATE |

* (NOT ILLUSTRATED)



| Key No. | Part No. | Description |
|---------|-------------|----------------------------|
| 1 | MT48x5289 | DECAL, HAND CONTROL |
| 2 | MT7390 | DECAL, V-BELTS |
| 3 | MT7859 | DECAL, OVER ADJUSTMENT |
| 4 | MT48x5286 | DECAL, ROTATING AUGER |
| 5 | MT761079 | DECAL, DANGER |
| 6 | MT48x5285 | DECAL, UNCLOGGING CHUTE |
| 7 | MT48x5284 | DECAL, SPEED CONTROL |
| 9 | MT760983 | DECAL, SHEAR BOLTS |
| 10 | MT1501548 | LOGO NAMEPLATE, FRONTIER |
| 11 | MT48x5290 | DECAL, ST0726 |
| 12 | MT48x5254 | DECAL, CLEAN & CLEAR BRUSH |
| -- | MTF-031071L | OPERATOR'S MANUAL |

NOTES

NOTES

SPECIFICATIONS ST0726

| | |
|-----------------------------|----------------------------------|
| Engine | Briggs & Stratton Intek Snow OHV |
| Horsepower | 7.5 hp |
| Starter | Electric / Recoil |
| Fuel Capacity | 4 quarts |
| Drive System | Friction Disc |
| Speeds | 6 Forward / 2 Reverse |
| Tire Diameter | 13" |
| Traction Control | Pin Lock |
| Clearing Width | 26" |
| Housing Height | 17.5" |
| Auger Diameter | 10" |
| Auger Type | Steel / Notched |
| Impeller Diameter | 9" |
| Chute Rotation | Remote |
| Chute Turning Radius | 190° |
| Deflector Control | Manual |
| Weight | N/A |
| Warranty - Engine | 3 years |
| Warranty - Machine | 3 years |



Free Manuals Download Website

<http://myh66.com>

<http://usermanuals.us>

<http://www.somanuals.com>

<http://www.4manuals.cc>

<http://www.manual-lib.com>

<http://www.404manual.com>

<http://www.luxmanual.com>

<http://aubethermostatmanual.com>

Golf course search by state

<http://golfingnear.com>

Email search by domain

<http://emailbydomain.com>

Auto manuals search

<http://auto.somanuals.com>

TV manuals search

<http://tv.somanuals.com>