

**Snowblower for Lawn Tractors  
42-Inch**

---

**OPERATOR'S MANUAL**

**OMGX10742 J9**

North American Version  
Litho in U.S.A.

# INTRODUCTION

---

## Thank You for Purchasing a John Deere Product

We appreciate your business and wish you many years of safe and satisfied use of your machine.

## Using Your Operator's Manual

This manual is an important part of your machine and should remain with the machine when you sell it.

Reading your operator's manual will help you and others avoid personal injury or damage to the machine. Information given in this manual will provide the operator with the safest and most effective use of the machine. Knowing how to operate this machine safely and correctly will allow you to train others who may operate this machine.

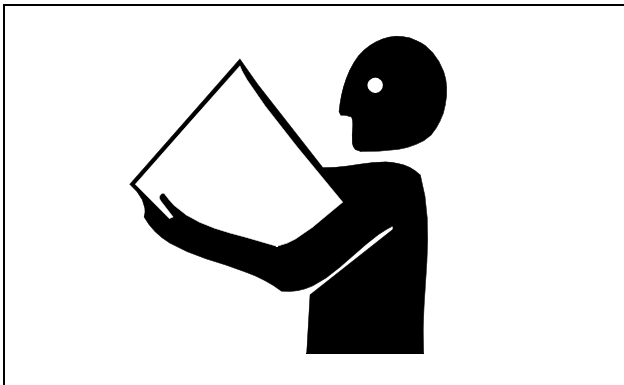
Sections in your operator's manual are placed in a specific order to help you understand all the safety messages and learn the controls so you can operate this machine safely. You can also use this manual to answer any specific operating or servicing questions. A convenient index located at the end of this book will help you to find needed information quickly.

The machine shown in this manual may differ slightly from your machine, but will be similar enough to help you understand our instructions.

RIGHT-HAND and LEFT-HAND sides are determined by facing in the direction the machine will travel when going forward. When you see a broken line arrow (----->), the item referred to is hidden from view.

## Special Messages

Your manual contains special messages to bring attention to potential safety concerns, machine damage as well as helpful operating and servicing information. Please read all the information carefully to avoid injury and machine damage.



**CAUTION: Avoid injury!**

This symbol and text highlight potential hazards or death to the operator or bystanders that may occur if the hazards or procedures are ignored.

**IMPORTANT: Avoid damage! This text is used to tell the operator of actions or conditions that might result in damage to the machine.**

***NOTE: General information is given throughout the manual that may help the operator in the operation or service of the machine.***

# PRODUCT IDENTIFICATION

---

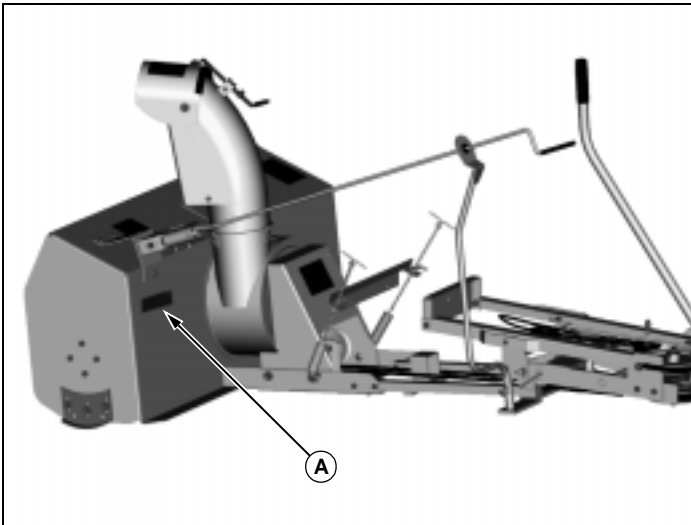
## Record Identification Numbers

### 42-Inch Snowblower

Serial No. (010001-)

If you need to contact an Authorized Service Center for information on servicing, always provide the product model and serial number.

You will need to locate the model and serial number for the machine and for the engine of your machine and record the information in the spaces provided below.



DATE OF PURCHASE:

\_\_\_\_\_

DEALER NAME:

\_\_\_\_\_

DEALER PHONE:

\_\_\_\_\_

PRODUCT IDENTIFICATION NUMBER (A):

-----

# TABLE OF CONTENTS

---

---

## Contents

|                         |    |
|-------------------------|----|
| Safety .....            | 1  |
| Assembly .....          | 4  |
| Preparing Vehicle ..... | 8  |
| Installing .....        | 11 |
| Removing .....          | 14 |
| Operating .....         | 16 |
| Replacement Parts ..... | 22 |
| Service .....           | 23 |
| Troubleshooting .....   | 27 |
| Storage .....           | 28 |
| Index .....             | 29 |

All information, illustrations and specifications in this manual are based on the latest information at the time of publication. The right is reserved to make changes at any time without notice.

COPYRIGHT© 1999

Deere & Co.

John Deere Worldwide Commercial and

Consumer Equipment Division

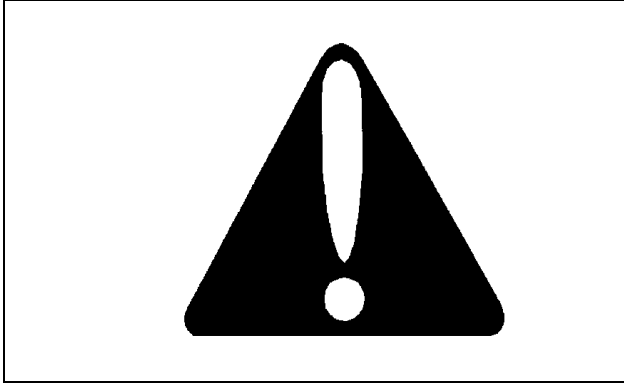
Horicon, WI

All rights reserved

OMGX10742 J9 - English

# SAFETY

## Understanding The Machine Safety Labels

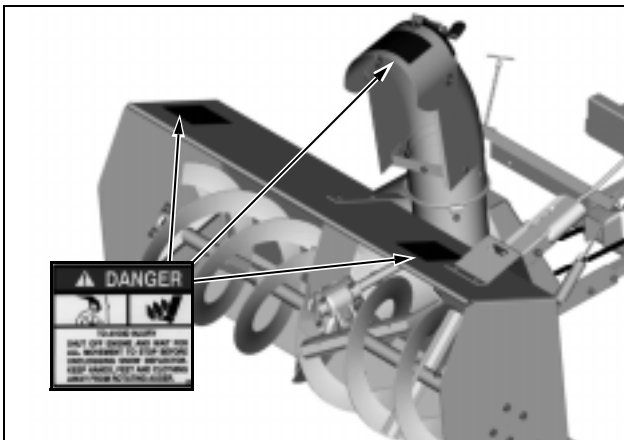


The machine safety labels shown in this section are placed in important areas on your machine to draw attention to potential safety hazards.

On your machine safety labels, the words DANGER, WARNING, and CAUTION are used with this safety-alert symbol, (▲). DANGER identifies the most serious hazards.

The operator's manual also explains any potential safety hazards whenever necessary in special safety messages that are identified with the word, CAUTION, and the safety-alert symbol, (▲).

## DANGER

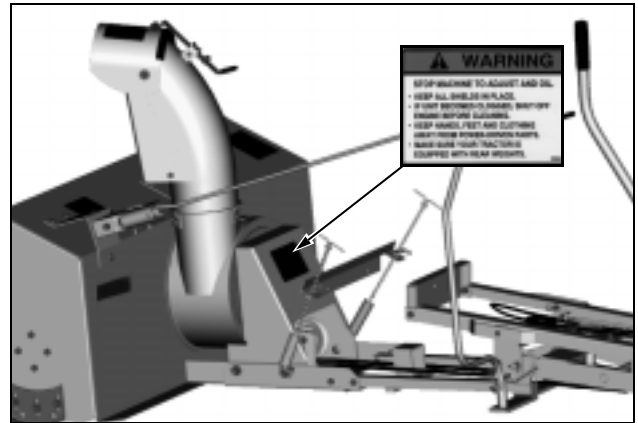


**Picture Note: One decal located on chute spout and two on top surface of snowblower housing.**

To avoid injury

- Shut off engine and wait for all movement to stop before unclogging snow deflector.
- Keep hands, feet and clothing away from rotating auger.

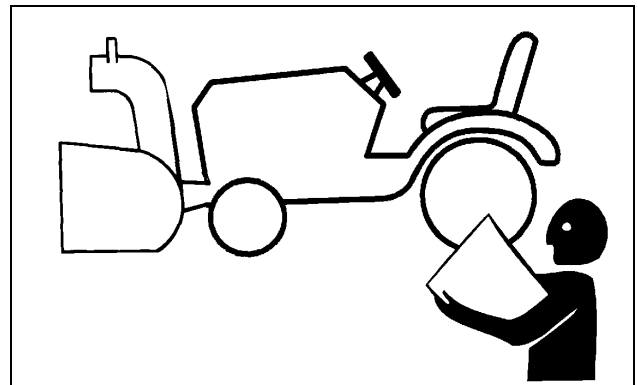
## WARNING



**Picture Note: Decal located on pulley cover of snowblower housing.**

- Stop machine to adjust and oil.
- Keep all shields in place.
- If unit becomes clogged, shut off engine before cleaning.
- Keep hands, feet and clothing away from power-driven parts.
- Make sure your tractor is equipped with rear weights.

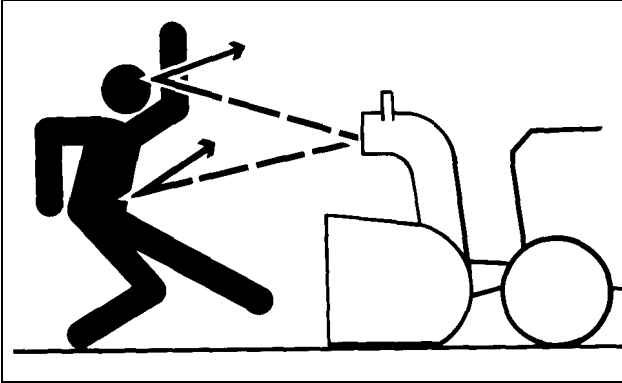
## Operate Safely



- Read the Tractor and Snowblower Operator's Manual carefully. Be thoroughly familiar with the controls and the proper use of the equipment. Know how to stop the tractor and disengage the controls quickly.
- Check vehicle brake action before you operate. Adjust or service brakes as necessary.
- Inspect machine before you operate. Be sure hardware is tight. Repair or replace damaged badly worn, or missing parts. Be sure guards and shields are in good condition and fastened in place. Make any necessary adjustments

# SAFETY

before you operate.



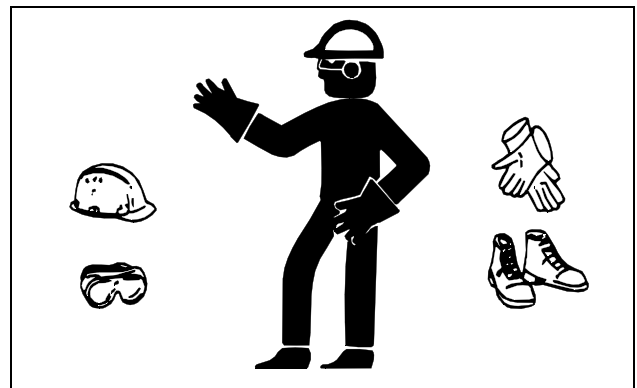
- Clear work area of objects that might be thrown. Keep people and pets out of the work area. Keep children indoors when blowing snow. Turn the machine off if anyone enters the area.
- If you hit an object, stop the machine and inspect it. Make repairs before you operate. Keep machine properly maintained and in good working order.
- DO NOT leave machine unattended when it is running.
- Only operate during daylight or with good artificial light.
- Look carefully behind tractor before you back up.
- DO NOT let anyone, especially children, ride on machine or attachment. Riders are subject to injury such as being struck by foreign objects and being thrown off. Riders may also obstruct the operator's view, resulting in the machine being operated in an unsafe manner.
- Do not wear radio or music headphones while operating the machine. Safe operation requires your full attention.
- DO NOT let children or an untrained person operate machine.
- Be alert for traffic when crossing or working near roadways.
- Be alert. DO NOT operate snowblower when you are tired or ill or under the influence of drugs or alcohol.
- Keep clear of the discharge opening at all times.
- DO NOT operate tractor at high speeds. Operate snowblower at full throttle and a safe, slow travel speed.
- Do not throw snow toward bystanders, buildings, or automobiles.
- Throw snow downwind, if possible.
- Clean snowblower after you use it.
- Be extremely careful if you must clear snow from a gravel surface.
- Operate slowly and carefully on slopes and in sharp turns.

- Drive up and down-not across slopes.
- DO NOT operate near edge of ditch or bank. Avoid holes, rocks, and roots. Be alert for hidden hazards.
- Older adults are involved in a large percentage of riding mower accidents involving injury. These operators should evaluate their ability to operate a mower and a snowblower safely enough to protect the operator and others from serious injury.

## Parking Safely

1. Stop machine on a level surface, not on a slope.
2. Disengage mower blades.
3. Lower attachments to the ground.
4. Lock the park brake.
5. Stop the engine.
6. Remove the key.
7. Wait for engine and all moving parts to stop before you leave the operator's seat.

## Wear Appropriate Clothing



- Always wear safety glasses or eye shields during operation to protect eyes from foreign objects that may be thrown from the machine.
- Wear adequate winter outer garments and footwear that will improve footing on slippery surfaces.
- Wear close fitting clothing and safety equipment appropriate for the job.
- Loud noise can cause impairment or loss of hearing, wear a suitable protective device such as earplugs.

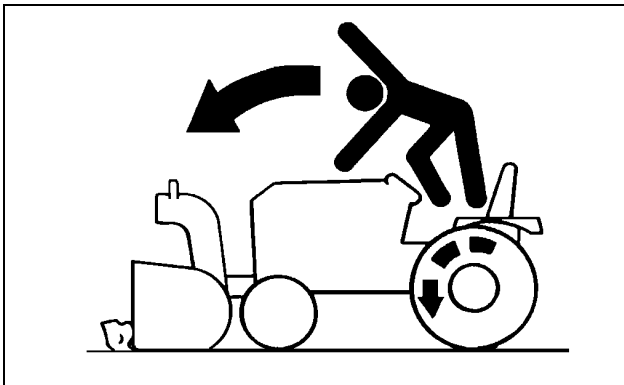
# SAFETY

## Avoid Injury from Moving Parts



- Keep hands, feet and clothing away from snowblower and discharge chute when auger is turning.
- Stop auger when you are not throwing snow.
- Stop vehicle engine before you unplug, repair, or adjust snowblower.

## Avoid Injury from Hitting Obstructions



- Raise snowblower when you drive between jobs.
- Slow down when you remove snow. Be cautious on slopes, when you make turns or when close to buildings or trees.

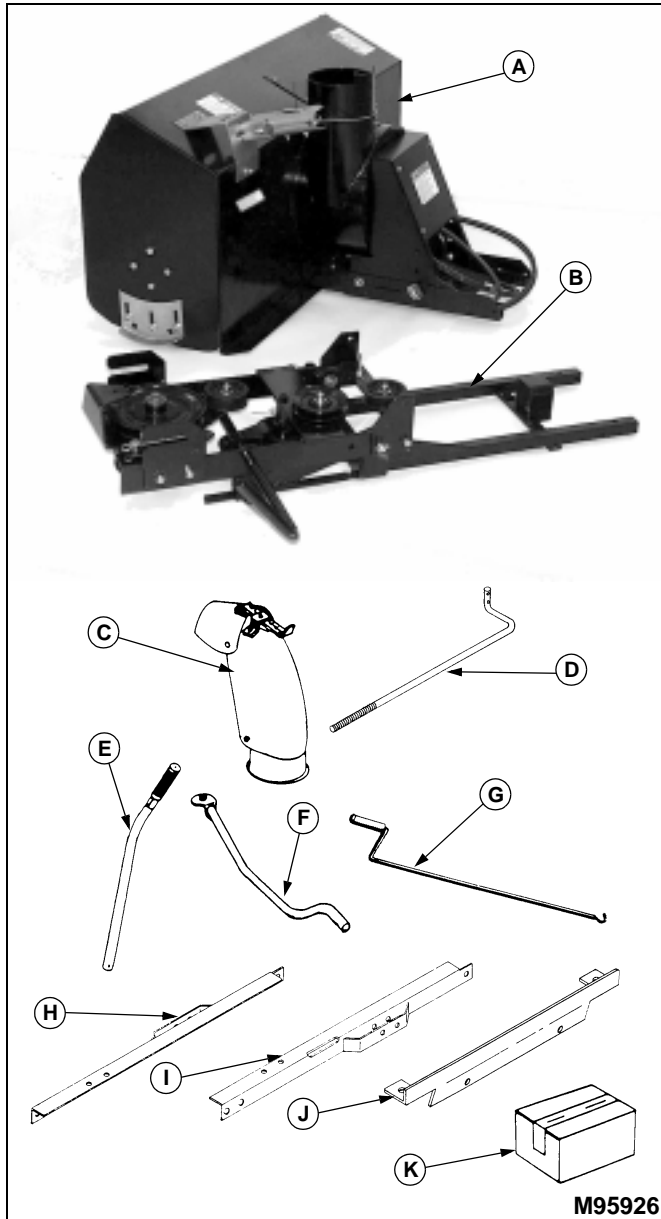
## Practice Safe Maintenance



- Understand service procedure before doing work. Keep area clean and dry.
- Never lubricate, service, or adjust machine while it is moving. Keep safety devices in place and in working condition. Keep hardware tight.
- Keep hands, feet, clothing, jewelry, and long hair away from any moving parts, to prevent them from getting caught.
- Lower attachments to the ground before servicing machine. Disengage all power and stop the engine. Lock park brake and remove the key. Let machine cool.
- Securely support any machine elements that must be raised for service work.
- Never run engine unless park brake is locked.
- Keep all parts in good condition and properly installed. Fix damage immediately. Replace worn or broken parts. Remove any buildup of grease, oil, or debris.
- Disconnect battery negative (-) cable before making adjustments on electrical systems or welding on machine.
- Do not modify machine. Unauthorized modifications may impair its function and safety.
- Do not wear radio or music headphones while servicing the machine. Safe service requires your full attention.

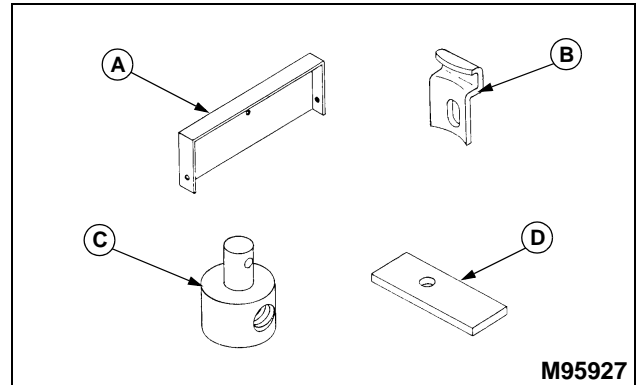
# ASSEMBLY

## Identify Parts



- A - Snowblower Assembly**
- B - Mounting Frame Assembly**
- C - Discharge Chute Assembly**
- D - Clutch Link Rod**
- E - Lift Handle**
- F - Chute Control Support Rod**
- G - Chute Control Rod**
- H - Left-Hand Mounting Angle**
- I - Right-Hand Mounting Angle**
- J - Lift Spring Anchor Bracket**
- K - Box of Parts**

## Box of Parts

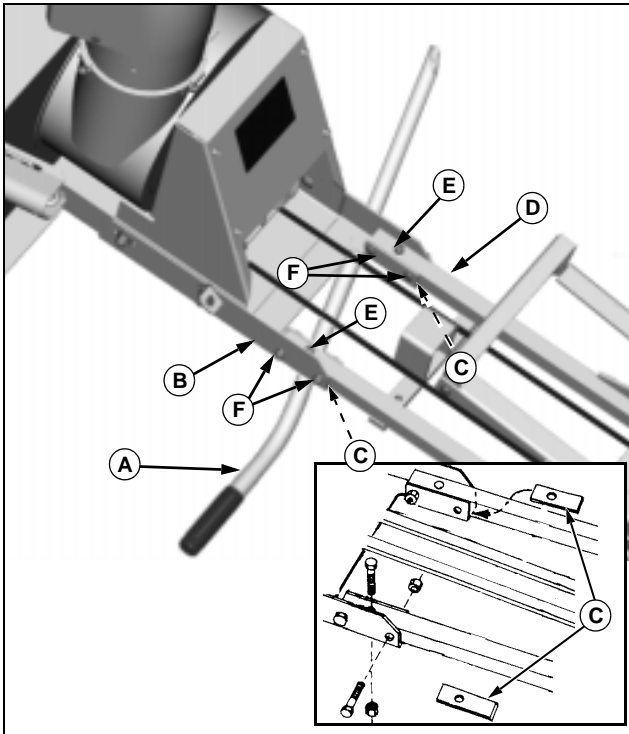


| Qty | Description                       | Size            |
|-----|-----------------------------------|-----------------|
| 1   | (A) Front Axle Bracket            |                 |
| 3   | (B) Anchor Stacks                 |                 |
| 1   | (C) Adjustable Control Rod Anchor |                 |
| 2   | (D) Spacer Shims                  |                 |
| 1   | V-Belt, Upper                     |                 |
| 2   | Lift Assist Springs               |                 |
| 2   | Chain and Toggle Assembly         |                 |
| 2   | Tail Reflectors                   |                 |
| 2   | Clevis Pins                       |                 |
| 1   | Handle Grip                       |                 |
| 2   | Hair Cotter Pins                  | 2-7/8 Lg        |
| 4   | Hair Cotter Pins                  | 1-5/8 Lg        |
| 1   | Cotter Pin                        | 1/8 x 1 1/4     |
| 2   | Hex Nuts                          | 1/2-13          |
| 6   | Hex Head Bolts                    | 5/16-18 x 1 3/4 |
| 2   | Hex Head Bolts                    | 3/8-16 x 1      |
| 2   | Hex Head Bolts                    | 1/2-13 x 2      |
| 9   | Hex Nylock Nuts                   | 5/16-18         |
| 4   | Hex Nylock Nuts                   | 3/18-16         |
| 2   | Hex Lock Nuts                     | 1/2-13          |
| 2   | Hex Head Bolts                    | 3/8-16 x 1 1/4  |
| 2   | Hex Jam Nuts                      | 7/16-14         |
| 3   | Carriage Bolts                    | 5/16-18 x 3/4   |

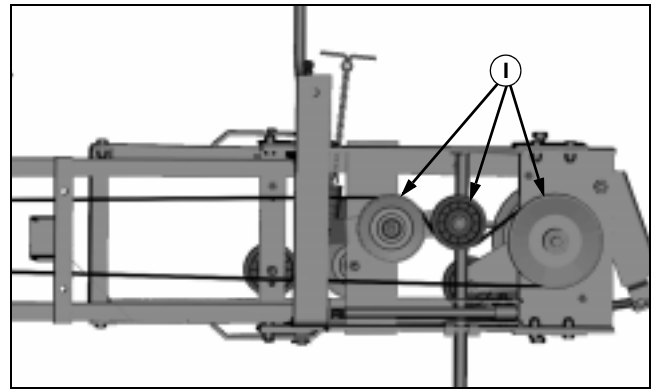


# ASSEMBLY

## Assembling Snowblower



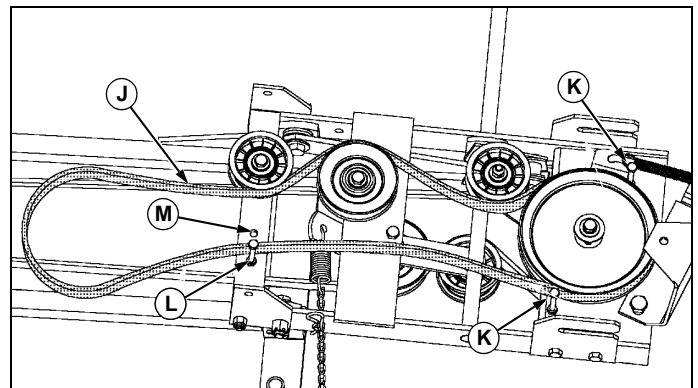
1. Raise the rear of the snowblower and slide the lift handle (A) under the channel bracket (B).
2. Place spacer shims (C) inside the rear of the mounting channel with the short end toward the front of the snowblower and align holes.
3. Slide mounting frame (D) inside channel bracket.
4. Check that holes in spacer shims are aligned with holes in lower frame bar.
5. Insert 5/16 x 1 3/4-Inch bolts (E), one on each side, through vertical hole of the lower mounting frame bar, spacer shim, and channel bracket and secure with 5/16-Inch Nylock nuts. Do not tighten at this time.
6. Insert 5/16 x 1 3/4-Inch bolts (F), two on each side, through horizontal holes of channel bracket and lower frame bar and secure with 5/16-Inch Nylock nuts. Tighten nuts.
7. Tighten nuts on vertical bolts.
8. Raise the rear of the snowblower and remove the lift handle from under it.



**Picture Note:** Underside of mounting frame shown to illustrate correct routing of lower V-belt.

9. Install lower V-belt around mounting bracket idlers and pulley (I) as shown.

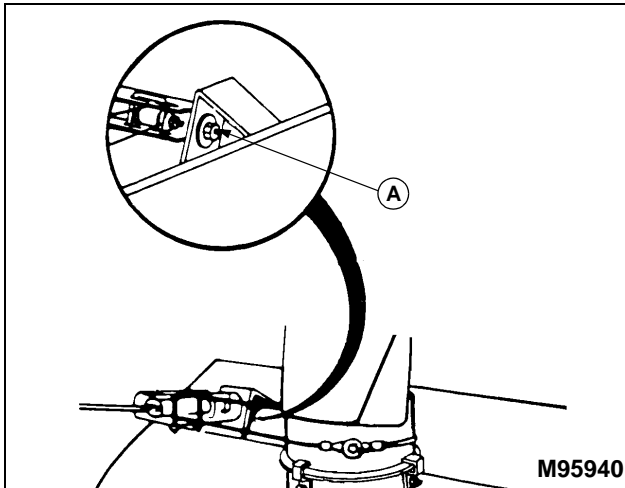
**IMPORTANT:** Avoid damage! Route upper V-belt **INSIDE** three belt guides. Routing belt incorrectly can cause belt damage.



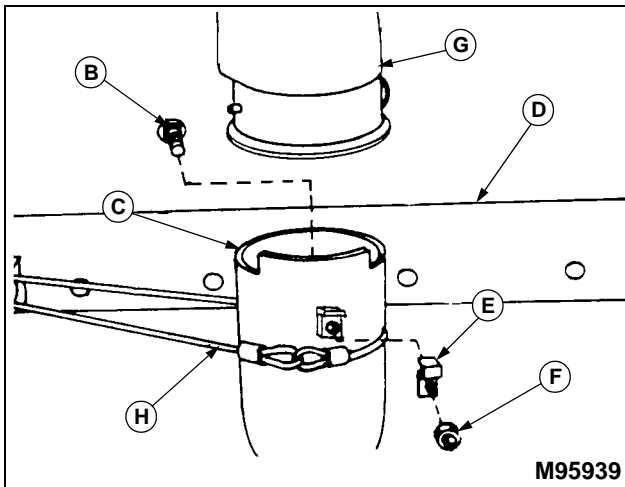
10. Install upper V-belt (J) to idlers as shown.
11. Check belt routing. Make sure upper V-belt is routed **INSIDE** two belt guides (K) and belt guide (L).
12. Check position of belt guide (L).
  - Tractors with V-Twin engines and 46-Inch mower deck: Belt guide (L) should remain in outer hole as shown.
  - All other tractors: Move belt guide (L) to inner hole (M).

# ASSEMBLY

## Assemble Discharge Chute to Auger Housing



1. Loosen 3/8-Inch nut and lock washer (A) that holds chute control cable assembly to the auger housing and move cable down away from anchor mounts.

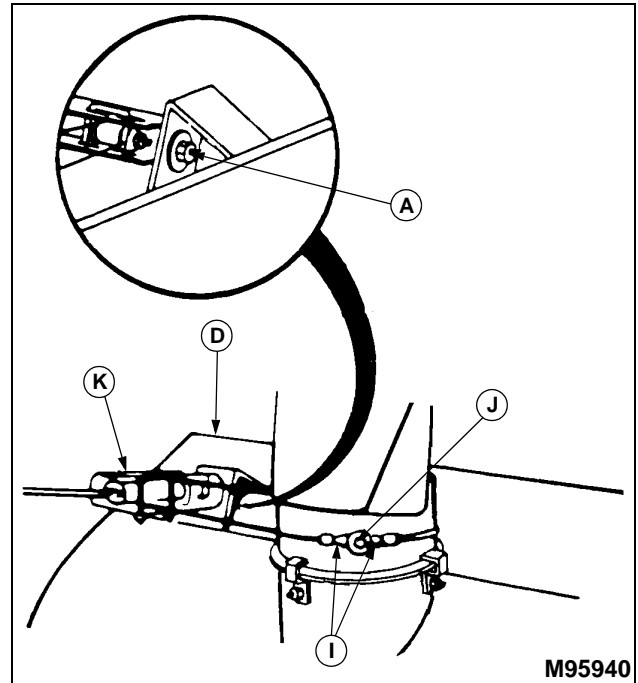


2. Insert 5/16 x 3/4-Inch carriage bolt (B) through one of the holes in the stack (C) of the auger housing (D) with the head of the bolt to the inside of the stack.
3. Place one stack anchor (E) onto the bolt.
4. Install 5/16-18 Nylock hex nut (F) finger tight onto bolt.
5. Install, finger tight, two other carriage bolts, stack anchors, and Nylock nuts to the remaining two holes of the stack.
6. Lubricate the outside of the auger housing stack (C) and the inside of the discharge chute (G) with WD-40 or an equivalent.
7. Install discharge chute onto the stack of the auger housing with the discharge opening facing forward.
8. Place hook of stack anchors over the lip of the discharge chute, push stack anchors up, pull out to seat square of carriage bolt in hole and tighten Nylock nut at all three

stack anchors.

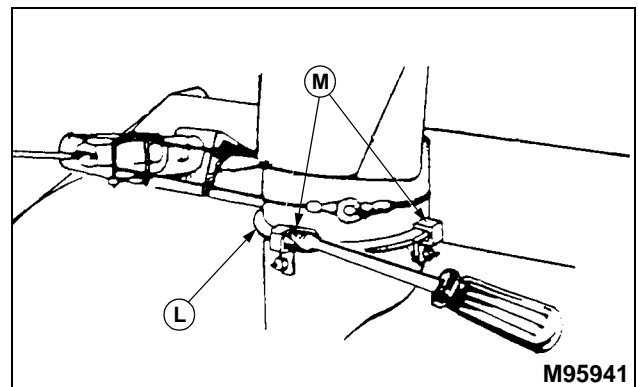
**NOTE:** Make sure top strand coming off chute control cable assembly goes around front of discharge chute.

9. Move the chute control cable (H) up from the stack of the auger housing onto the bottom of the discharge chute.



10. Place both loops (I) of the chute control cable over the 1/4-Inch hex bolt and flat washer (J) on the right hand side of the discharge chute.

11. While keeping tight pressure to the left on the chute control cable assembly (K), remove cable tie from the cable, slide the chute control cable assembly to the left until cable is taut and retighten 3/8-Inch nut and lock washer (A) assembly to secure chute control cable assembly.



12. To obtain optimum clearance and chute rotation proceed as follows:

- Make sure discharge chute is lubricated. (See Lubricating Discharge Chute in Service section.)

# ASSEMBLY

---

- If rotation difficulty continues use a screwdriver to pry out carefully on all three of the chute clips to obtain a 1/16 to 1/8-Inch gap between base (L) and chute clips (M) or until chute rotates freely.

# PREPARING VEHICLE

## Install Tractor Weights and Chains



**CAUTION:** Avoid injury!

The machine may become unstable when operating with snowblower.

Use wheel weights to improve stability when operating with snowblower.

Remove weights from tractor after snowblower is removed.

**NOTE:** Before you attach snowblower, REMOVE MOWER DECK from tractor. (See Removing and Storing Mower section in your Tractor Operator's Manual.)

Rear Wheel Weights and Rear Tire Chains are recommended for stability and traction.

- Rear Wheel Weights - Kit Part Number BG10189
- Rear Tire Chains - Kit Part Number BG10188

## Check Tire Pressure

**IMPORTANT:** Avoid damage! To prevent tire damage, DO NOT use more than maximum tire pressure shown on sidewall of tire.

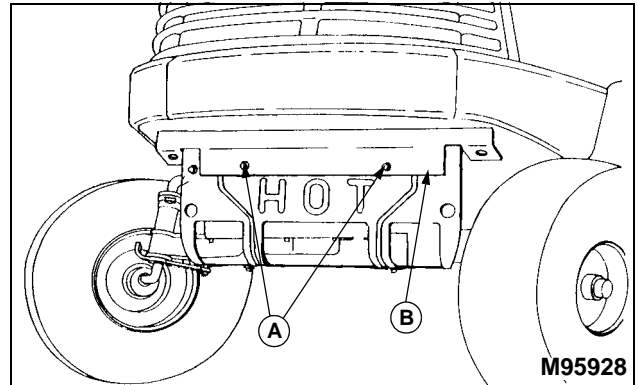
Check tire pressure with an accurate gauge.  
Add or remove air, if necessary.

| Front Tire       | Rear Tire       |
|------------------|-----------------|
| 100 kPa (14 psi) | 70 kPa (10 psi) |

## Check Tractor Engine Oil and Battery

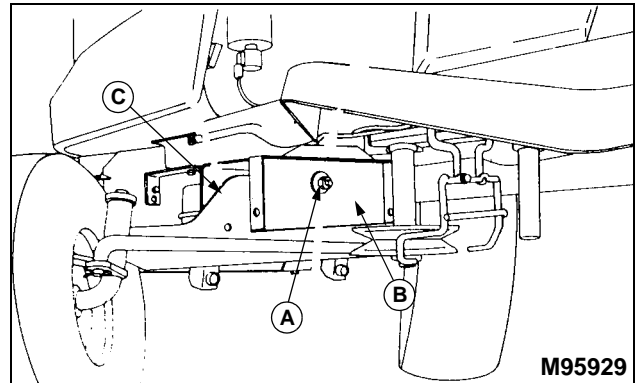
Refer to your Tractor Operator's Manual for Cold Weather Starting procedures.

## Install Spring Anchor Bracket to Front of Tractor



1. Remove two screws (A) from the front of the tractor.
2. Align holes of the spring anchor bracket (B) with the holes of the tractor and reinstall two metric screws to secure the spring anchor bracket.

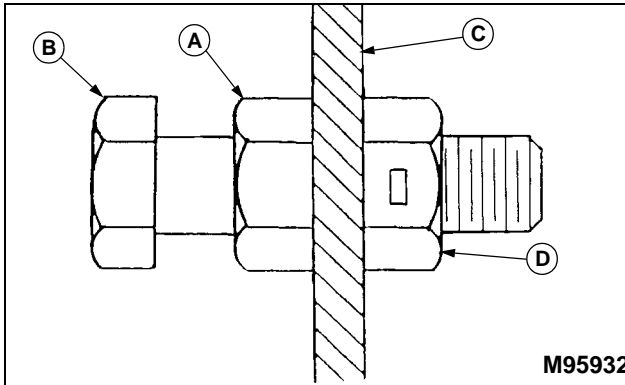
## Install Front Axle Bracket to Rear Side of Front Axle



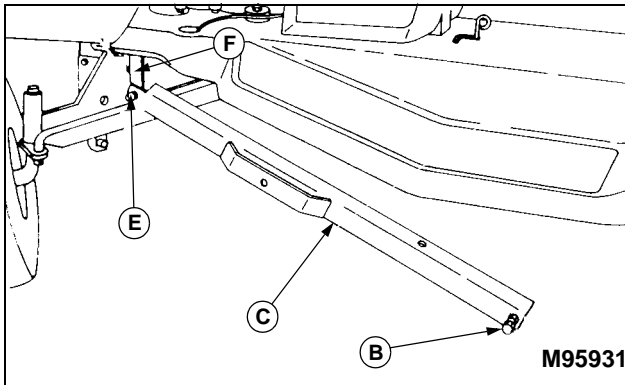
1. Remove 10mm nut and washer (A) from the rear of the tractor front axle.
2. Position the front axle bracket (B) over the exposed bolt with the flanged edges toward the rear of the tractor.
3. Secure the front axle bracket to the front axle (C) with the 10mm nut and washer.

# PREPARING VEHICLE

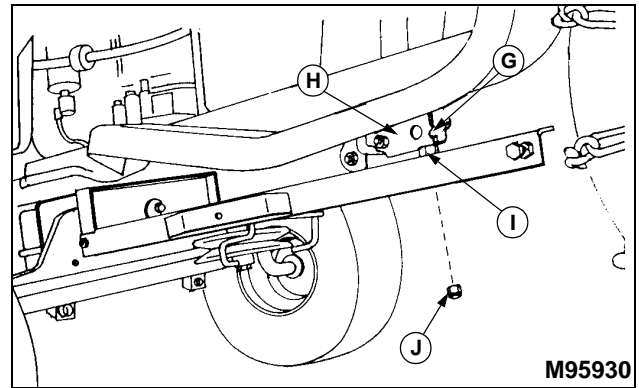
## Install Mounting Angles



1. Assemble 1/2-Inch standard nut (A) onto 1/2 x 2-Inch hex bolt (B) and run it down to the end of the treads.
2. Lock the nut in place with two wrenches.

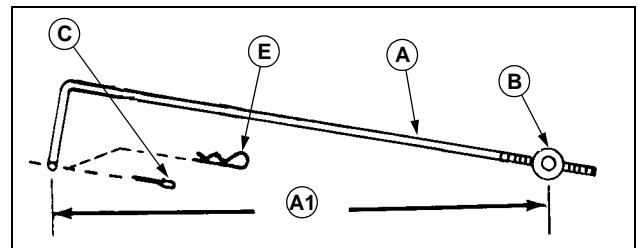


3. At the rear end of one mounting angle (C) insert 1/2 x 2-Inch bolt into hole.
4. Secure with 1/2-Inch lock nut (D).
5. Install 1/2 x 2-Inch bolt with 1/2-Inch standard nut and 1/2-Inch lock nut into same hole of other mounting angle using same procedure as above.
6. Insert 3/8 x 1-Inch bolt (E) through from the inside of the front axle bracket (F).
7. Place mounting angle over end of 3/8 x 1-Inch bolt and secure finger tight with 3/8-Inch Nylock nut.

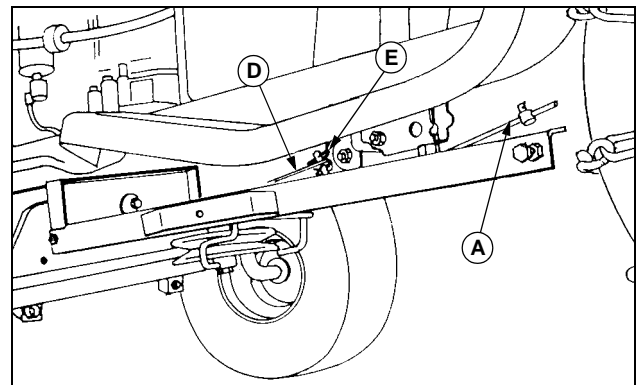


8. Insert 3/8 x 1 1/4-Inch bolt (G) down through mower mounting bracket of tractor (H), through 7/16-Inch jam nut (I) used as spacer, through mounting angle, then secure with 3/8-Inch Nylock nut (J).
9. Install a mounting angle to the other side of the tractor using the same procedure as first mounting angle.
10. Tighten securely the finger tight bolt and nut at each side of the front axle bracket.

## Install Clutch Link Rod to Tractor



1. Pre-adjust clutch link rod (A) to approximately 384 mm (15 in.) (A1) from the center of the bent end of the clutch rod to the center of the adjustable anchor (B).
2. Insert 1/8 x 1 1/4-Inch cotter pin (C) into hole nearest the bend of the clutch rod and spread ends to secure.



3. Insert bent end of clutch link rod up into the hole in the tractor attachment engagement lever (D). Secure with hair

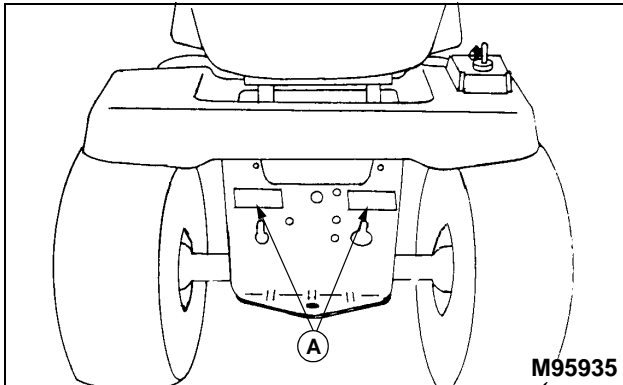
# PREPARING VEHICLE

---

cotter pin (E).

4. Temporarily lay adjustable end of clutch link rod on top of the left side mounting angles until you are ready to attach to the snowblower.

## Install Reflective Tape



Apply two reflectors (A), one on each side of rear hitch plate and a minimum of 305 mm (12 in.) from the ground.

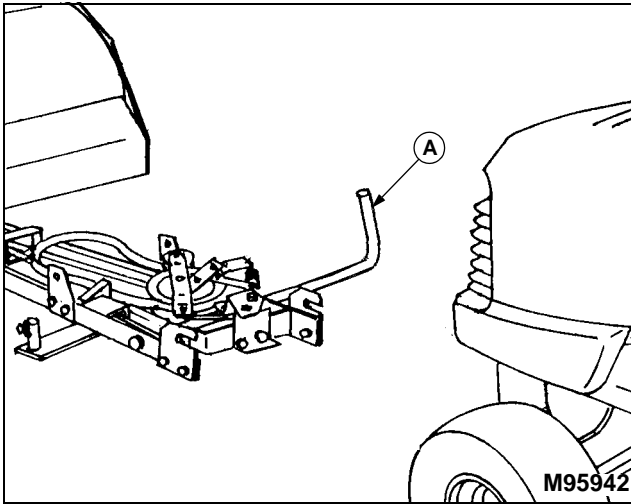
# INSTALLING

## Place Tractor Over Snowblower Frame



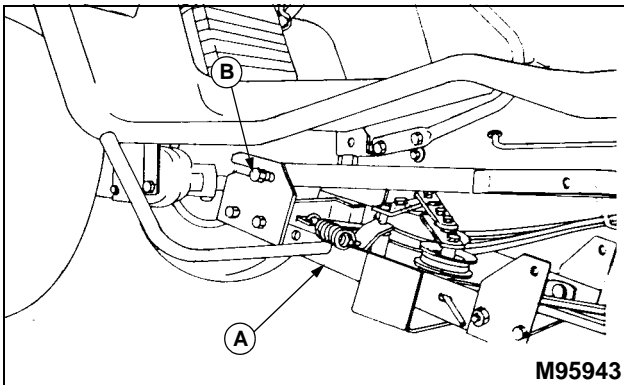
**CAUTION: Avoid injury! Attachment is heavy. Keep hands and feet out from under attachment when removing or installing.**

1. Park machine safely. (See Parking Safely in the Safety Section).
2. Move the tractor mower lift handle to the raised position.
3. Position snowblower directly in front of the tractor.



4. Roll tractor forward until right front tire makes contact with the lift bar (A).
5. Roll right front tire by hand forward over lift bar.

## Attach Upper Mounting Frame



1. Position upper mounting frame (A) in line with tractor frame.
2. Move snowblower lift bar rearward to the raised position.
3. Lift rear of upper mounting frame and roll tractor forward

sliding rear slots of upper mounting frame onto 1/2 x 2-Inch bolts (B) protruding from mounting angles of tractor.

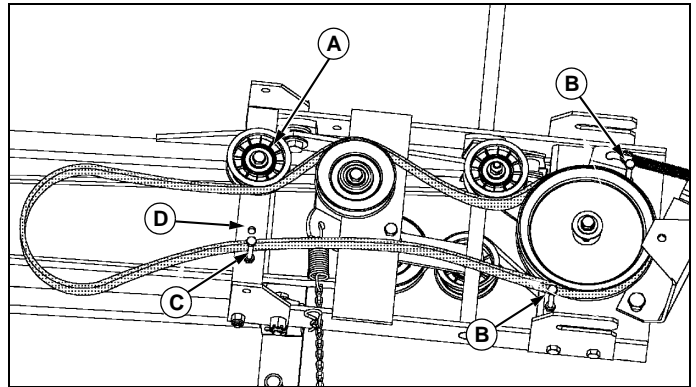
## Install Upper V-Belt



**CAUTION: Avoid injury! The engine may accidentally start while servicing the machine. Remove the key and disconnect any spark plug wires before servicing.**

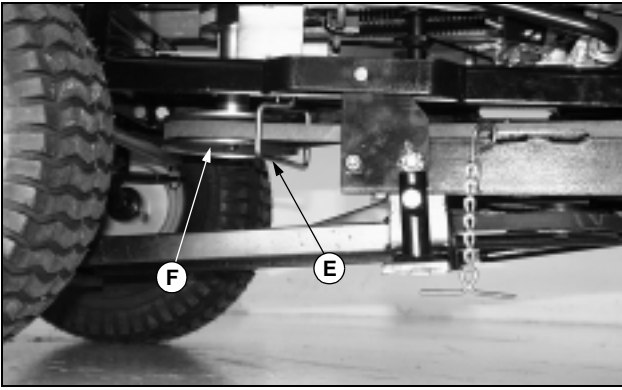
**IMPORTANT: Avoid damage! Route upper V-belt INSIDE three belt guides. Routing belt incorrectly can cause belt damage.**

1. Move tractor attachment lever into disengaged (OFF) position.



2. Check belt routing. Make sure that upper V-belt is routed INSIDE the clutch idler pulley (A), two belt guides (B) and belt guide (C).
3. Check position of belt guide (C).
  - Tractors with V-Twin engines and 46-Inch mower deck: Belt guide (C) should remain in outer hole as shown.
  - All other tractors: Move belt guide (D) to inner hole (M).

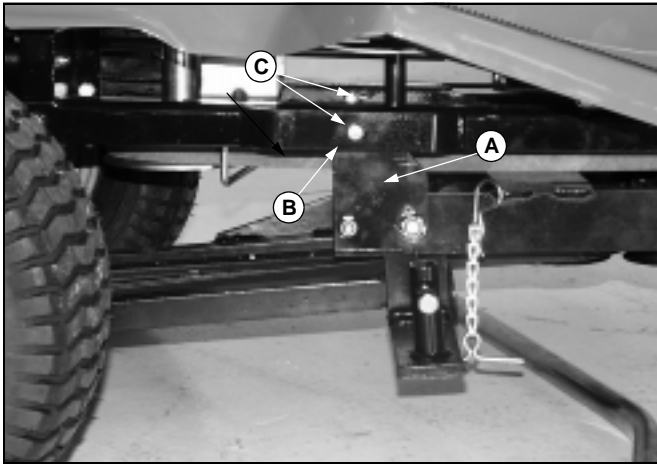
# INSTALLING



4. Move belt guide (E) and roll upper V-belt around tractor engine drive pulley (F).

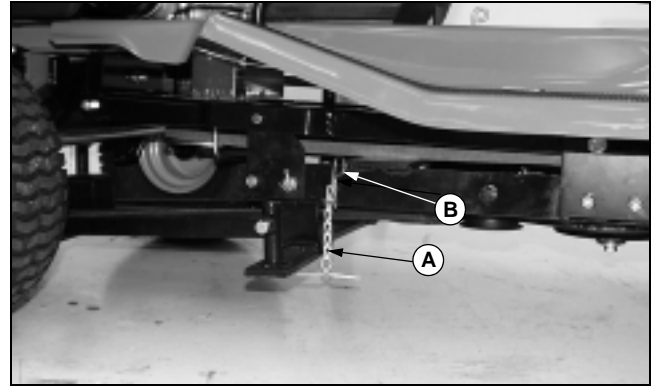
## Attach Lower Mounting Frame to Tractor

1. Move snowblower lift bar forward to the lowered position.
2. Slide snowblower lift handle under rear of lower mounting frame and lift up to raise front mounting brackets into clevises of mounting angles.



3. Align the hole in the front mounting brackets (A) with hole in mounting angle clevis (B) and secure with clevis pin and hair cotter pins (C).
4. Remove the lift handle from under the snowblower.

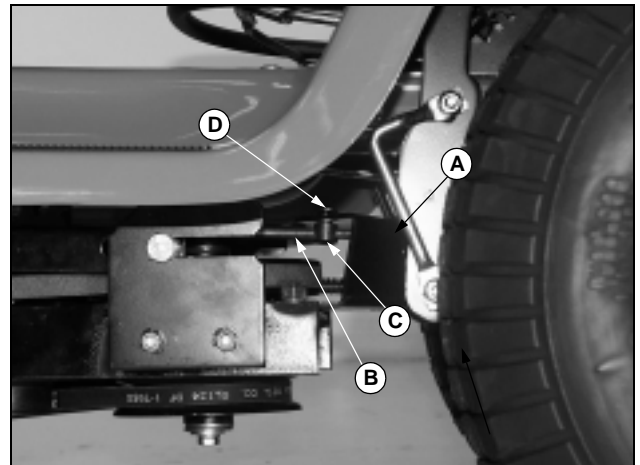
## Set Lower V-Belt Tension



- Pull tensioning chain (A) to tighten lower V-belt and secure with hair cotter pin (B).

## Install Clutch Link Rod

1. Place the tractor attachment lever in the disengaged (OFF) position.

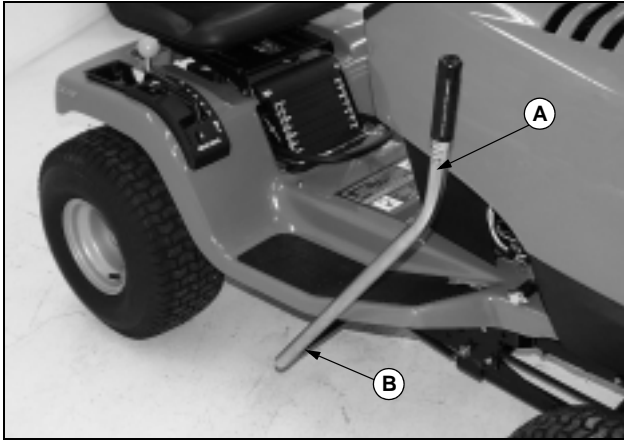


2. Move idler arm (A) to the left side of the snowblower frame and hold against the stop.
3. Adjust the length of the clutch link rod (B) until the mounting anchor (C) can be assembled into the clutch bell crank.
4. Attach clutch rod link with hair cotter pin (D).



# INSTALLING

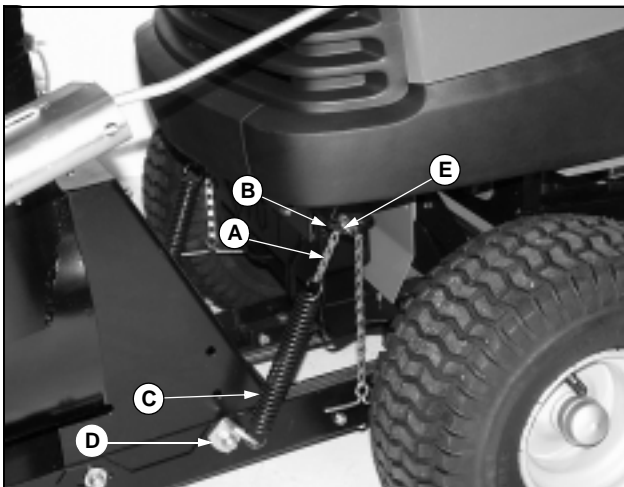
## Install Lift Handle



1. Slide the lift handle (A) over the end of the lift bar (B) with the grip offset toward the operator's position of the tractor.
2. Adjust lift height.

## Install Lift Assist Springs

1. Pull lift handle back to place snowblower in the raised position.

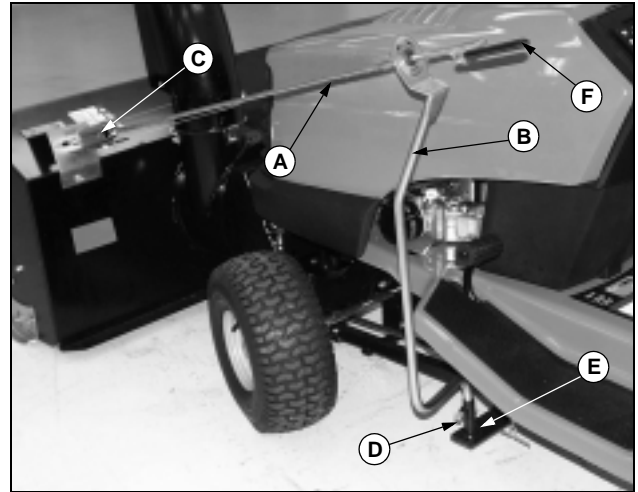


2. Thread the chain and toggle assembly (A) through the spring anchor bracket (B) mounted on the front of the tractor.
3. Hook one end of the lift assist spring (C) into the hole of the channel box bracket (D) and the other end into the last link of the chain and toggle.
4. Pull the toggle end of the chain and toggle, exerting slight pressure on lift assist spring.
5. Insert large hair cotter pin (E) through chain just above the spring anchor bracket.

6. If chain and spring are not taunt, remove the hair cotter pin, apply a little more pressure and reinstall the hair cotter pin.

7. Assemble lift assist spring on other side of tractor using the same procedure.

## Install Chute Control Support



1. Assemble chute control rod (A) crank handle through hole in chute control support (B) from the back side of the decal plate.
2. Hook the loop of the chute control rod into the eyebolt of the chute level wind assembly (C).
3. Loosen chute control support bolt (D).
4. Place chute control support over post on chute control support bracket (E).
5. Tighten chute control support bolt into hole in post.
6. Slide plastic handle grip (F) onto handle of chute control rod.

# REMOVING

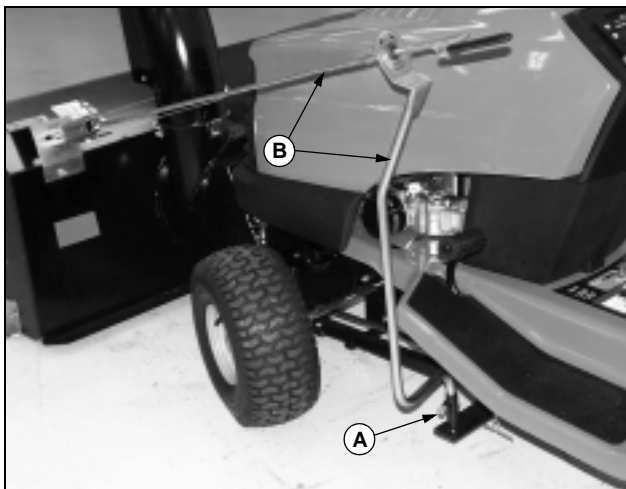
## Removing Snowblower



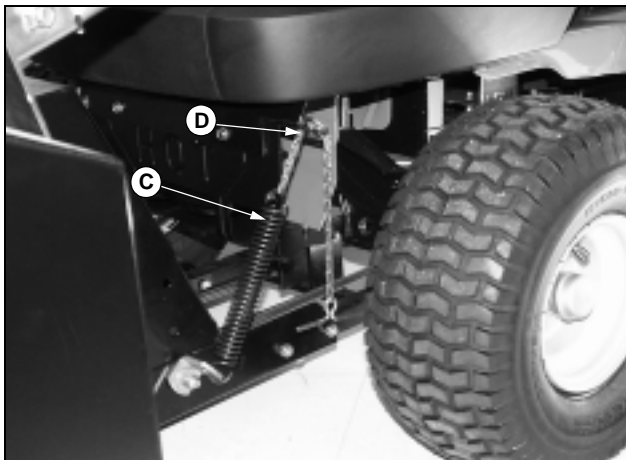
**CAUTION:** Avoid injury! Attachment is heavy.  
Keep hands and feet out from under attachment  
when removing or installing.

**NOTE:** Store all hair cotter pins and clevis pins in snowblower assembly for storage.

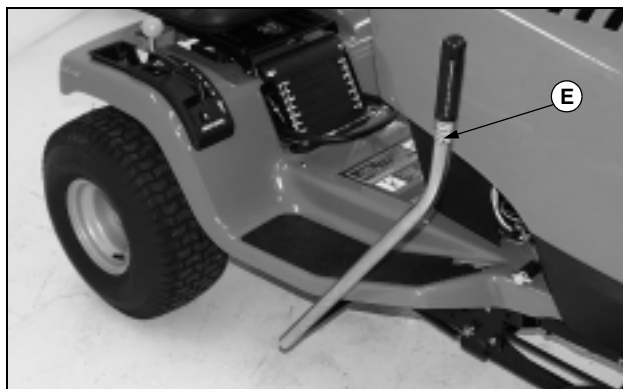
1. Park machine safely. (See Parking Safely in the Safety Section).



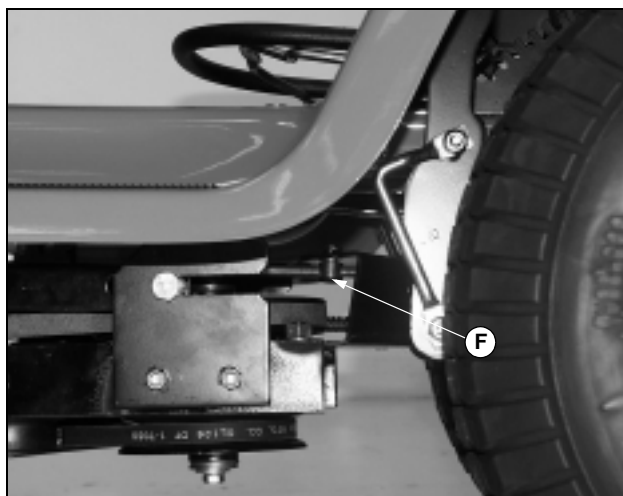
2. Loosen chute control support bolt (A) then remove chute control support and chute control rod (B) as one assembly.



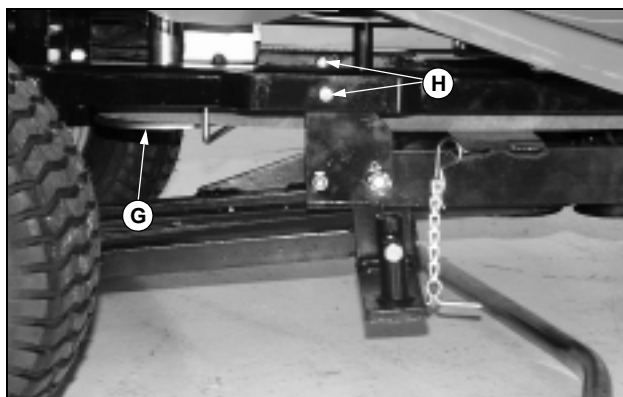
3. Raise snowblower and remove lift assist spring (C) along with chain and toggle (D) from each side of unit.



4. Lower snowblower and remove lift handle (E).



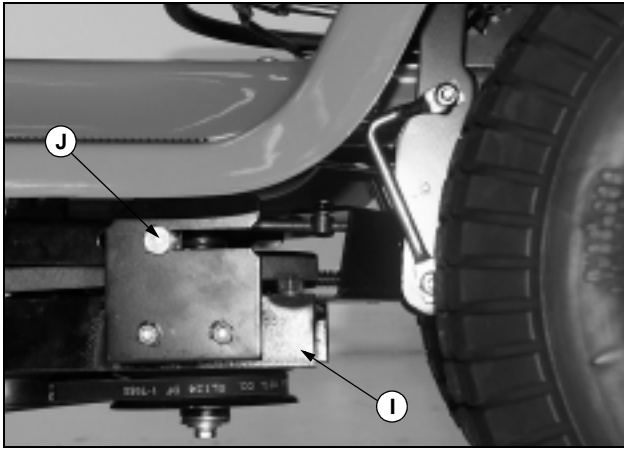
5. Disconnect clutch link rod (F) from tractor attachment engagement lever.



6. Remove upper V-belt from engine drive pulley (G).

7. Use lift handle to relieve weight from clevis pins (H) and remove hair cotter pins and clevis pins from front mounting brackets. Lower upper mounting frame to ground.

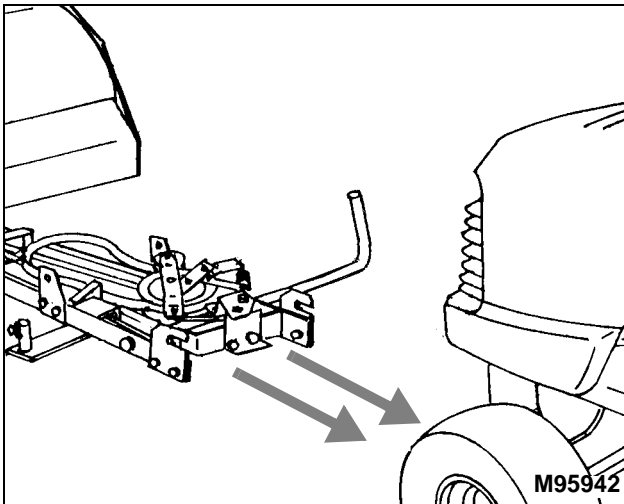
# REMOVING



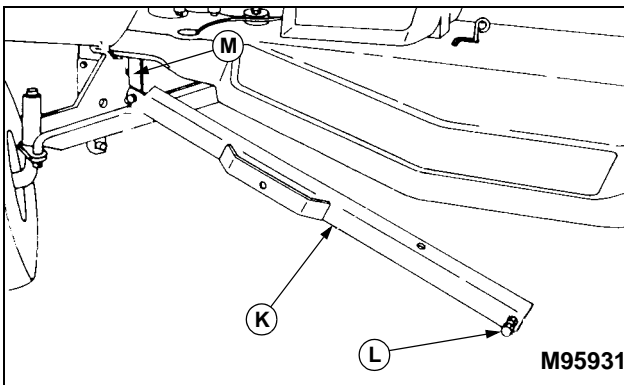
**CAUTION:** Avoid injury! When the snowblower is removed, remove any weights that were added to the tractor.

12. Remove any weights that were installed when preparing the tractor.

8. Roll tractor forward carefully until rear of upper mounting frame (I) can be lowered from 1/2 x 2-Inch bolts (J) in mounting angles.



9. Roll tractor backward off of the snowblower.



10. Remove both left hand and right hand mounting angles (K) from tractor. Replace hardware (L) into holes of mounting angles for storage.

11. Front axle bracket (M) and spring anchor bracket may be left mounted to tractor if desired.

# OPERATING

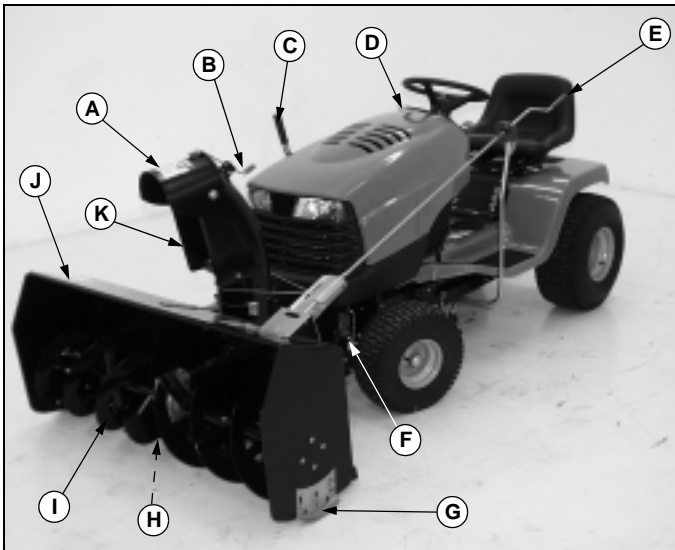
## Before Operating Snowblower

- Learn all controls and how they work. Read your Tractor's Operator Manual, if necessary.
- STOP engine.
- LOCK park brake.
- Remove key.
- Make operating adjustments as necessary.
- Tighten loose hardware.

## Daily Operating Checklist

- Check snowblower for loose fasteners.
- Lubricate discharge chute.

## Controls and Adjustment Levers



- A - Snow Deflector**
- B - Snow Deflector Control Handle**
- C - Snowblower Lift Handle**
- D - Attachment Clutch Lever**
- E - Chute Control Rod**
- F - Lift Assist Springs**
- G - Skid Shoes**
- H - Scraper**
- I - Snow Augers**
- J - Auger Housing**
- K - Discharge Chute**

## Snowblowing Tips

Install tire chains and rear weights on tractor.

Adjust runners before you clear snow.

Operate snowblower at full throttle.

Operate snowblower at safe, SLOW travel speed.

Slow down:

- On slopes.
- When you make turns.
- When you throw snow close to buildings or trees.

Always transport with the snowblower in the RAISED position and the attachment clutch lever DISENGAGED.

Throw snow downwind, if possible.

If you hit an object:

- STOP snowblower immediately.
- Fix damage before you use snowblower again.

Before you clean or unplug snowblower:

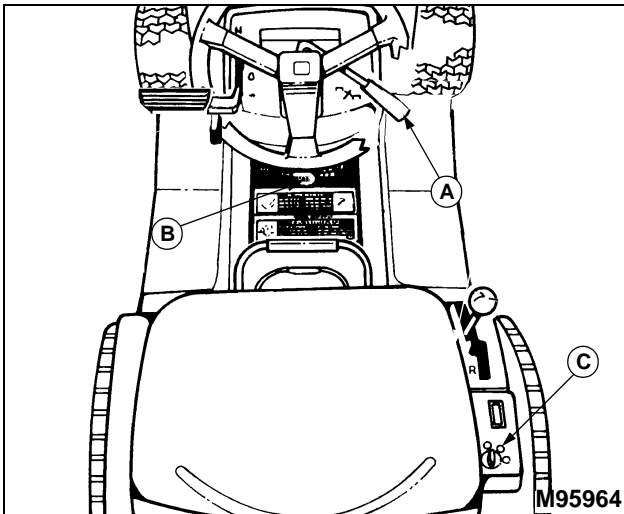
- Move attachment clutch lever to the DISENGAGED position.
- STOP engine.
- Remove key.
- LOCK park brake.
- Wait for ALL moving parts to STOP.
- Lower snowblower to the ground.
- Remove spark plug wires.
- Clean snowblower after you use it.

## Stopping Tractor and Snowblower

When stopping tractor, do the following:

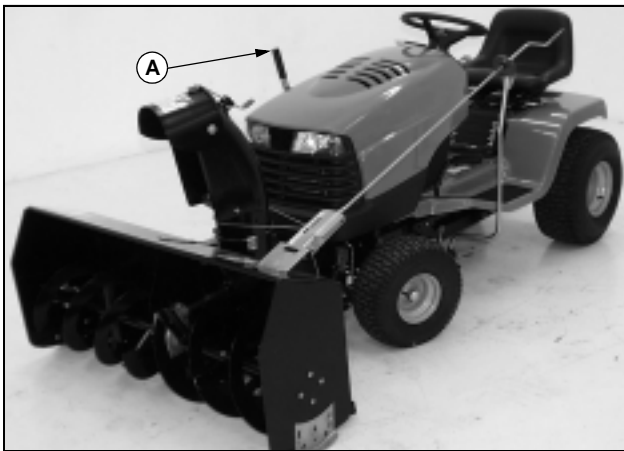
1. Depress clutch/brake pedal fully.
2. Put transmission in NEUTRAL position.

# OPERATING



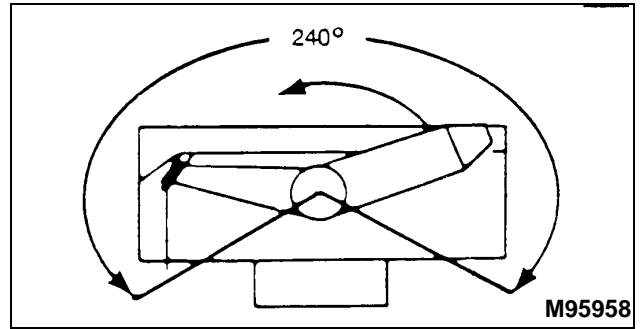
3. Pull back on attachment clutch lever (A) to DISENGAGE auger.
4. Lower snowblower to ground.
5. STOP engine.
6. LOCK park brake (B).
7. Remove key (C).

## Raising and Lowering Snowblower



To RAISE snowblower: Pull lift handle (A) all the way back.  
To LOWER snowblower: Push lift handle (A) all the way forward and lower snowblower to ground level.

## Adjusting Chute

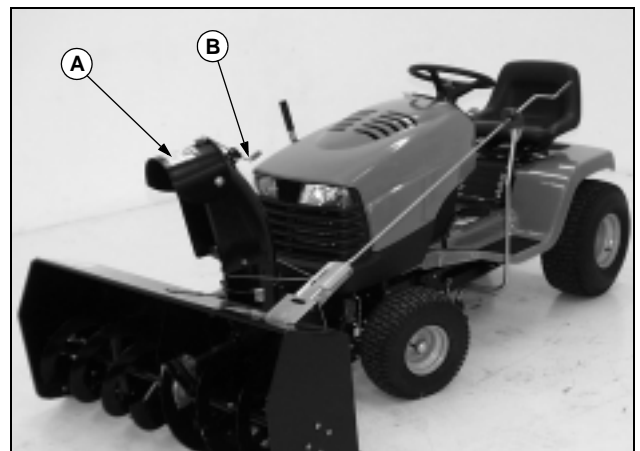


The snowblower has a discharge radius of 240 degrees and is controlled by the chute control rod. The discharge chute stop bolt will prohibit rotation beyond this point.



Turn chute control rod (A) to the right to direct snow to the right side of the tractor and to the left for the opposite effect.  
To adjust chute rotation see Adjusting Discharge Chute Drive Tube in Service section.

## Adjusting Distance of Snow Discharge



The distance snow will be discharged can be adjusted by

# OPERATING

moving the snow deflector (A).

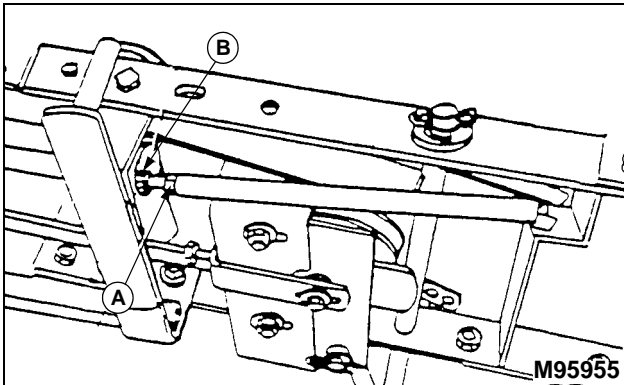
To increase distance snow is discharged, pull down on snow deflector control handle (B) and lock in position.

## Adjusting Lift Height

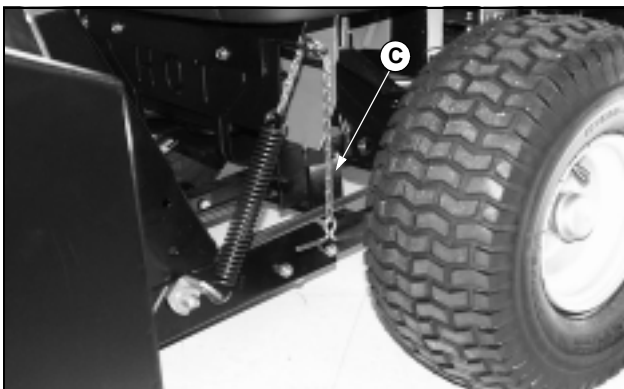
**CAUTION: Avoid injury! Rotating auger is dangerous.**

**Before making adjustment:**

- Park the machine safely and lock the park brake before getting off the seat.
- Turn the snowblower off.
- Stop the engine.
- Wait for all moving parts to stop.



1. Place snowblower on ground level.
2. Loosen jam nut (A) and turn lift height adjustment bolt (B):
  - RIGHT to INCREASE lift height
  - LEFT to DECREASE lift height
3. Raise snowblower and recheck lift height.



4. If up stop (C) hits front tractor axle retighten jam nut. If

not, repeat process.

## Adjusting Lift Assist Springs

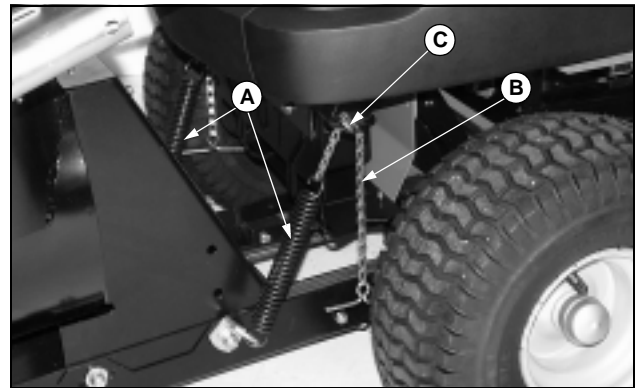
**CAUTION: Avoid injury! Rotating auger is dangerous.**

**Before making adjustment:**

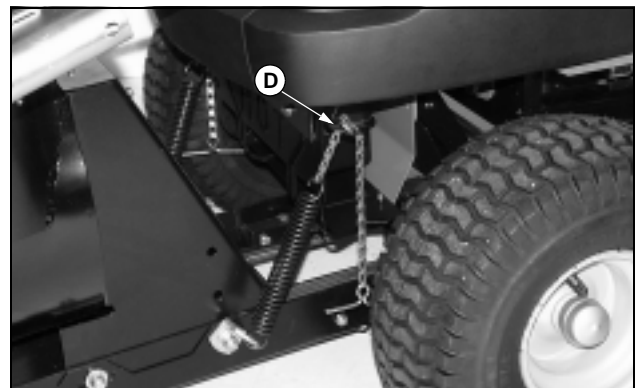
- Park the machine safely and lock the park brake before getting off the seat.
- Turn the snowblower off.
- Stop the engine.
- Wait for all moving parts to stop.

The lift assist springs (A) help in carrying the weight of the snowblower.

For extra scraping ability in packed or hardened snow, reduce tension of lift assist springs.



1. Put snowblower in the raised position and pull up on chain and toggle (B) and remove hair cotter pin (C).



2. Allow several links of chain to pass down through hole in the spring anchor bracket (D) and replace hair cotter pin just above the spring anchor bracket.

- To decrease scraping action when snowblower is

# OPERATING

used on rough surfaces, increase tension on lift assist spring by removing hair cotter pin and pulling several links up through hole in spring anchor bracket and replacing hair cotter pin.

3. Adjust chain and toggles evenly.

## Adjusting Skid Shoes



**CAUTION: Avoid injury! Rotating auger is dangerous.**

**Before making adjustment:**

- Park the machine safely and lock the park brake before getting off the seat.
- Turn the snowblower off.
- Stop the engine.
- Wait for all moving parts to stop.

**IMPORTANT: Avoid damage! Both the scraper and skid shoes are subject to wear and are designed for easy replacement. Replace before wear is excessive to prevent damage to the auger housing or snow auger.**

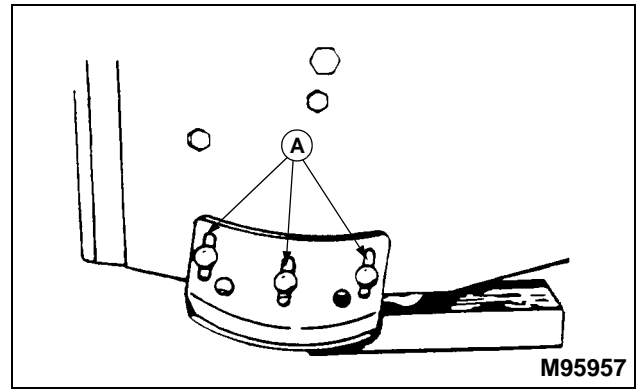
The skid shoe mounted on each side of the header housing adjusts the distance the scraper blade is raised above the surface.

- When removing snow from an uneven surface or a gravel driveway, it is advisable raising scraper as high above the surface as possible to prevent possible damage to the snow auger and to help prevent stones from being thrown with snow.
- On blacktop or concrete, keep the scraper as close to the scraping surface as possible.

### Adjusting Skid Shoes for Use on Gravel Driveways or Uneven Surfaces

**NOTE: Make sure both skid shoes are adjusted to keep scraper level even with scraping surface.**

1. Place snowblower in raised position.
2. Place 2 x 4 blocks under both ends of the scraper.
3. Lower snowblower scraper onto blocks.



4. Loosen six nuts (A) on the inside of the auger housing which secure the skid shoes.
5. Allow skid shoes to drop to the ground.
6. Retighten six nuts securing skid shoes.
7. Lower snowblower to the ground.

### Adjusting Skid Shoes for Use on Concrete or Even Surfaces

1. Place snowblower in raised position.
2. Loosen six nuts (A) on the inside of auger housing which secure the skid shoes.
3. Lower snowblower to ground level.
4. Retighten six nuts to secure skid shoes.

## Unplugging Discharge Chute

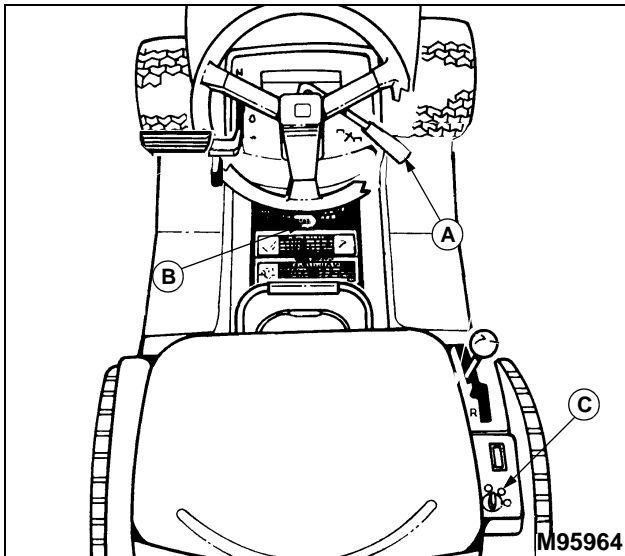


**CAUTION: Avoid injury! Rotating auger is dangerous.**

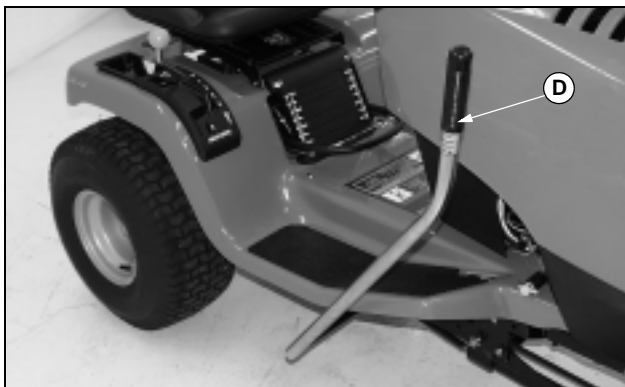
- Park the machine safely and lock the park brake before getting off the seat.
- Turn the snowblower off.
- Stop the engine.
- Wait for all moving parts to stop.
- Disconnect spark plug wire(s) to prevent engine from starting accidentally.

If snowblower becomes plugged with snow or jammed due to hitting an obstruction, proceed as follows:

# OPERATING



1. STOP tractor.
2. Pull back on attachment clutch lever (A) to DISENGAGE.
3. STOP the engine.
4. LOCK the park brake (B).
5. Remove the key (C).
6. Wait for auger to STOP.
7. Lower snowblower to the ground.
8. Remove spark plug wires.

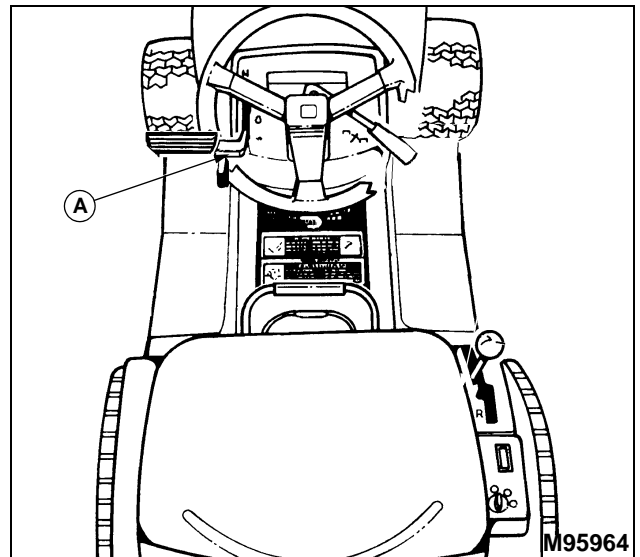


9. Remove lift handle (D) and use it to push snow back down into auger housing.
10. Reassemble lift handle.
11. Replace spark plug wires.
12. Resume snow removal.

## Operating Snowblower

**CAUTION:** Avoid injury! Thrown objects can be dangerous. Before you operate snowblower: Clear area of bystanders and pick up objects which may be thrown by snowblower.

1. Turn discharge chute control rod to desired direction of discharge.
2. Move snow deflector to desired discharge distance.
3. Start engine.



4. Put throttle lever (A) to FAST (r) position.
5. Move attachment clutch lever forward to ENGAGED position.
6. Push forward on lift handle and lower snowblower to the ground.

**IMPORTANT:** Avoid damage! For best snowblower and engine performance, operate engine at FULL THROTTLE when blowing snow.

7. Select lowest tractor ground speed at tractor full throttle and engage tractor ground drive.

## Transporting

**IMPORTANT:** Avoid damage! Always lower snowblower to trailer deck when transporting.

1. Drive tractor and snowblower onto heavy-duty trailer.



# OPERATING

---

2. LOWER snowblower to trailer deck.
3. STOP engine.
4. LOCK park brake.
5. Fasten tractor and snowblower to deck with straps, chains, or cables.
6. Trailer must have lights and signs required by law.

# REPLACEMENT PARTS

---

## Service Literature

If you would like a copy of the Parts Catalog or Technical Manual for this machine call:

- **U.S. & Canada:** 1-800-522-7448.
- **All Other Regions:** Your John Deere dealer.

## Parts

WE RECOMMEND quality parts and lubricants, available at your Authorized Service Center.

PART NUMBERS MAY CHANGE, use part numbers listed below when you order. If a number changes, your service center will have the latest number.

WHEN YOU ORDER PARTS, your service center needs your machine serial number and engine serial number. These are the numbers that you have recorded on the inside front cover of this manual.

| ITEM          | PART NUMBER |
|---------------|-------------|
| Upper V-Belt  | GXH24570    |
| Lower V-Belt  | GXH24522    |
| Skid Shoes    | GXH3045     |
| Scraper Blade | GXH24499    |

(Part numbers are subject to change without notice. Part Numbers may be different outside the U.S.A.)

# SERVICE

## Service Intervals

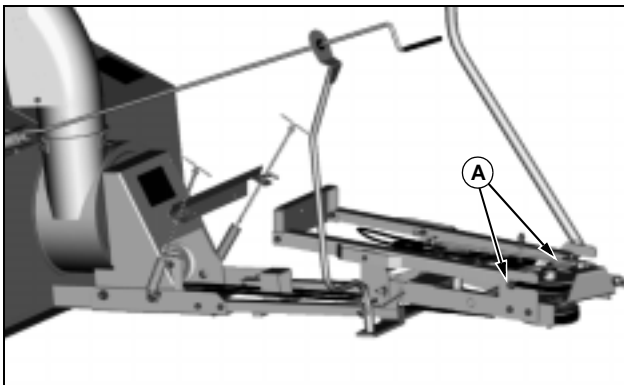
|                                    |  |
|------------------------------------|--|
| <b>Before Each Use</b>             | Check unit for loose fasteners.                              |
|                                    | Lubricate discharge chute.                                   |
| <b>Every 10 Hours or Each Year</b> | Lubricate all zerks.   |
|                                    | Lubricate auger bearings.                                    |
|                                    | Lubricate discharge chute.                                   |
|                                    | Lubricate lift bar.  |
|                                    | Check and adjust lift height.                                |
|                                    | Check skid shoes and scraper blade and replace if necessary. |
|                                    | Check V-belts and replace if worn.                           |
|                                    | Check snow auger and straighten if necessary.                |
| <b>As Required</b>                 | Check discharge chute drive tube.                            |
|                                    | Check lift assist springs.                                   |
|                                    | Check skid shoes.  |

## Lubricants

The following lubricants are preferred:

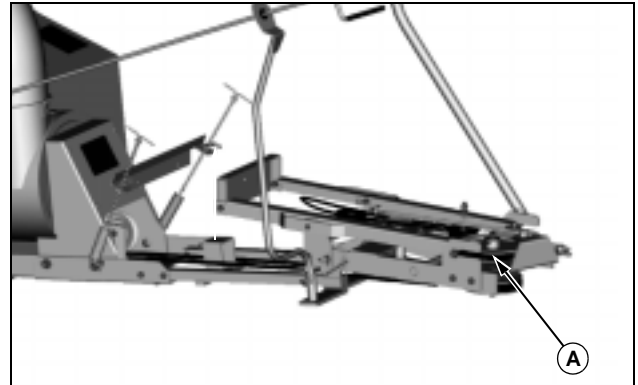
- Light Machine Oil (SAE30 API-S6)
- General Purpose Grease
- WD-40 or equal

## Lubricate Lift Bars



Lubricate lift bars (A) with Light Machine Oil (SAE30 APIS6).

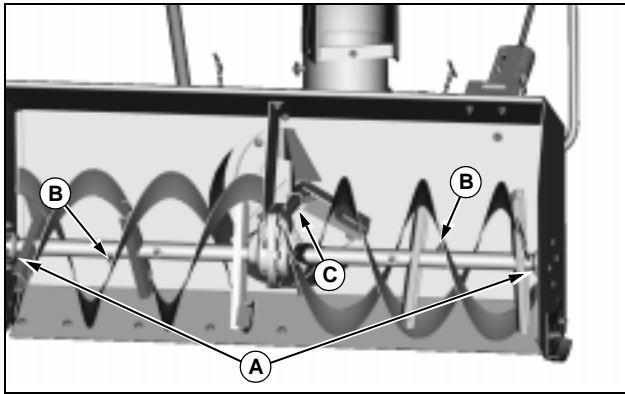
## Lubricate Vertical Jack Shaft



Lubricate vertical jack shaft zerk (A) with General Purpose Grease.

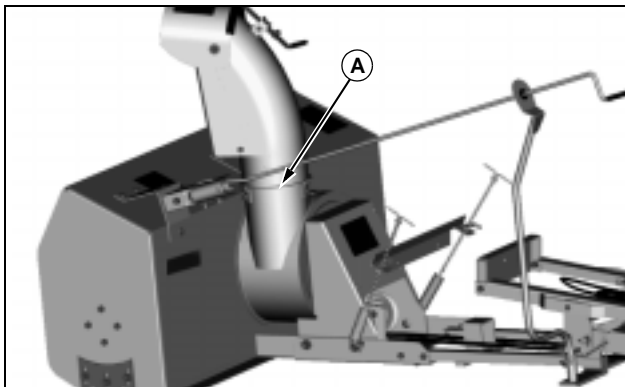
# SERVICE

## Lubricate Auger



Lubricate auger bearings (A), auger tubes (B), and discharge fan (C) with General Purpose Grease.

## Lubricate Discharge Chute



Lubricate discharge chute (A) with WD-40 or equivalent.

## Adjusting Discharge Chute Drive Tube

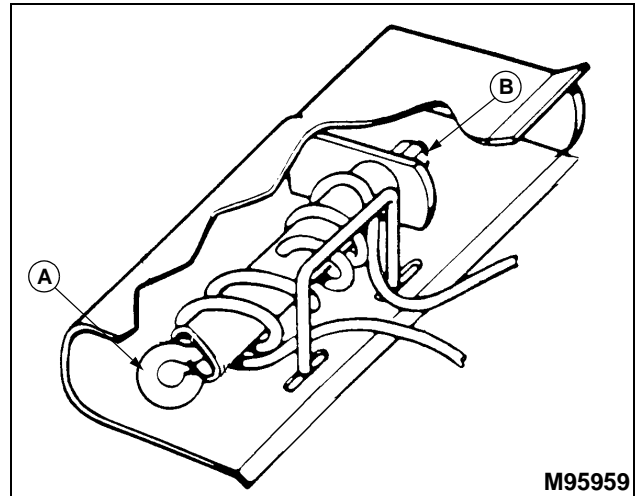


**CAUTION: Avoid injury! Rotating auger is dangerous.**

- Park the machine safely and lock the park brake before getting off the seat.
- Turn the snowblower off.
- Stop the engine.
- Wait for all moving parts to stop.
- Disconnect spark plug wire(s) to prevent engine from starting accidentally.

If discharge chute will not hold its position and tends to rotate, adjust lock nut on end of discharge chute tube eye

bolt (A).



M95959

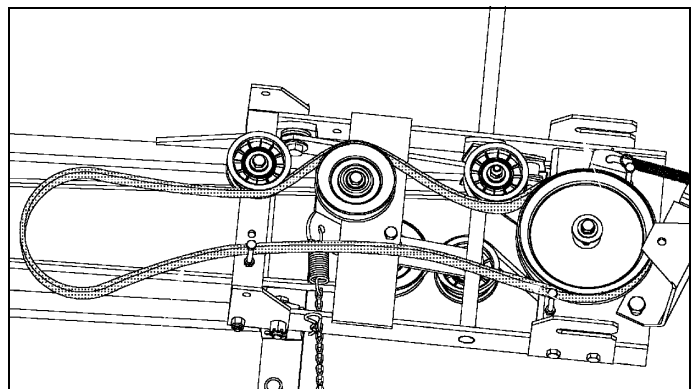
- Tighten lock nut (B) 1/8 turn and check rotation of discharge chute drive tube by turning chute control rod.
- A small amount of resistance should be encountered. DO NOT overtighten. Tighten until discharge chute holds its position.

## Chute Control Cable Hook-Up

Chute control cable is wound around discharge chute drive tube 2 1/2 turns each way; both ends of equal length. This will allow equal angle of discharge chute in both directions.

## Replacing Upper V-Belt

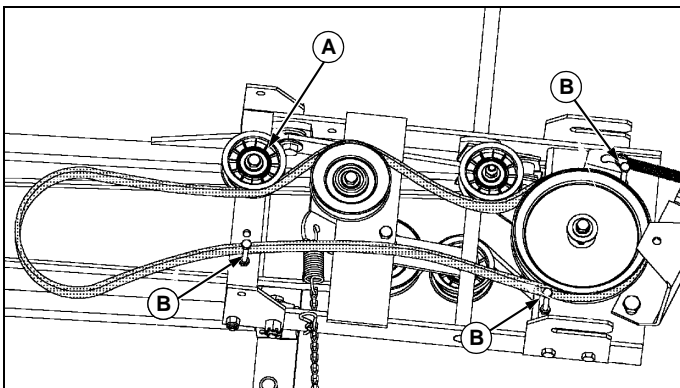
1. Remove the snowblower from the tractor, if necessary.
2. Remove damaged V-belt.



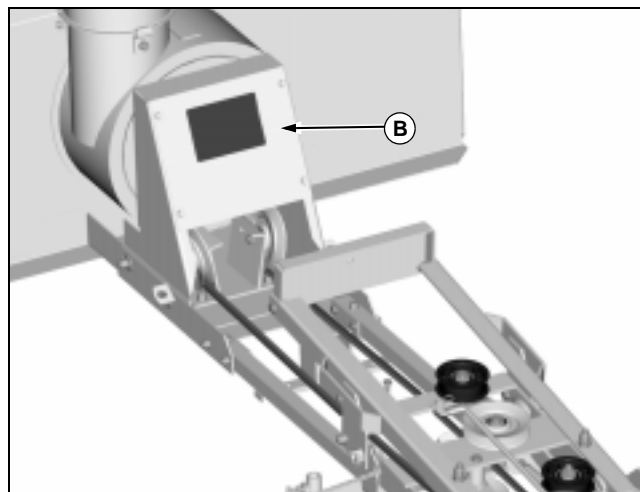
3. Install new V-belt on upper idlers as shown.

# SERVICE

**IMPORTANT: Avoid damage! Route upper V-belt INSIDE three belt guides. Routing belt incorrectly can cause belt damage.**



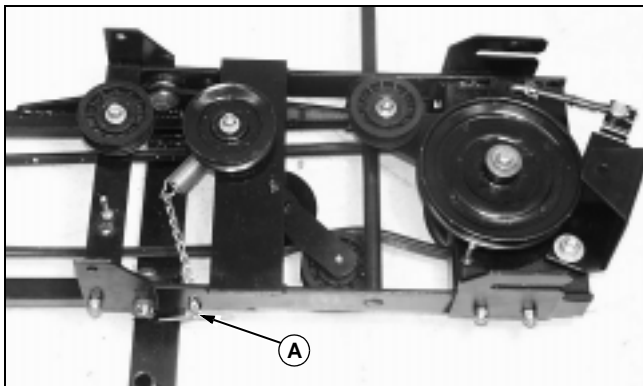
4. Check belt routing. Make sure that upper V-belt is routed INSIDE the clutch idler pulley (A) and three belt guides (B).
5. Reassemble snowblower to the tractor.



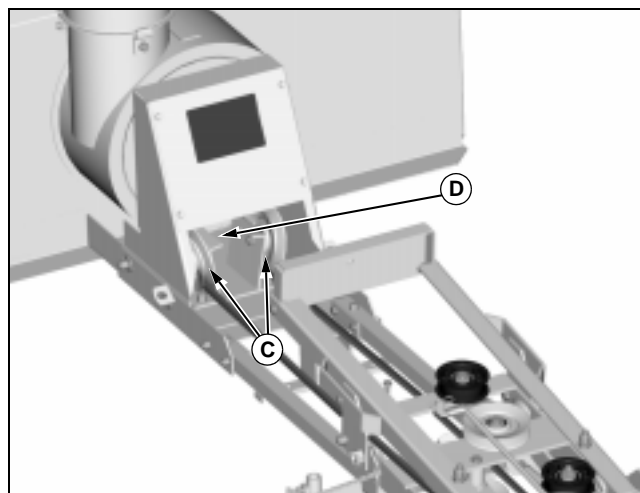
2. Remove the drive pulley guard (B) from the auger housing.
3. Roll lower V-belt off of jack shaft pulley, idlers and mounting bracket pulley and remove it from the snowblower.

## Replacing Lower V-Belt

**NOTE: It is not necessary to remove the snowblower for this procedure. The snowblower was removed for illustration only.**



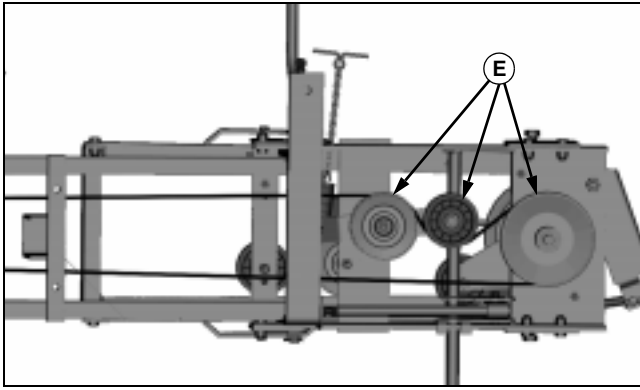
1. Remove hair cotter pin from belt tensioner (A) and loosen lower V-belt tension.



4. Install new V-belt under two idler pulleys (C) and roll it around the jack shaft pulley (D) inside the auger housing.

# SERVICE

---



**Picture Note: Underside of mounting frame shown to illustrate correct routing of lower V-belt.**

5. Assemble new lower V-belt around mounting bracket pulley and idlers (E) as shown.
6. Install the drive pulley guard to the rear of the auger housing.
7. Set lower V-belt tension.

# TROUBLESHOOTING

## Using Troubleshooting Chart

If you are experiencing a problem that is not listed in this chart, see your authorized service center dealer for service.

When you have checked all the possible causes listed and you are still experiencing the problem, see your authorized service center.

| IF   | CHECK   |
|--|---|
| Auger Housing Vibration  | Failed bearing. (See your Authorized Service Center.) |
| Lower V-Belt Fluttering  | Lower V-belt too loose.                               |
|  | No grease on J-shaft housing zerk.                    |
| Clogged Discharge Chute  | Tractor ground speed too fast.                        |
|  | Not operating with tractor at FULL throttle.          |
|  | Snow too deep.  |
| Discharge Chute is Difficult to Rotate or Will Not Hold Position | Discharge chute drive tube nut too loose.             |
|  | Chute control cable too loose.                        |
|  | Discharge chute and stack ring are dry.               |
| Snowblower Does Not Operate                                      | Upper or lower V-belt not in pulley grooves.          |
|  | Worn or broken V-belt.                                |
|  | Broken shear bolt.                                    |
| Burned Rubber Smell  | Worn or broken V-belt.                                |
|  | Upper V-belt outside of belt retainers.               |
|  | V-belts not in pulley grooves.                        |
|  | Object jammed in snow auger or discharge fan.         |
| Snowblower Will Not Lift   | Adjusting bolt in too far.                            |
|  | Object jammed between upper and lower mounting frame. |
| Snowblower Kills Tractor Engine                                  | Object jammed in snow auger or discharge fan.         |
|  | Very hard or heavy snow.                              |
|  | Very wet snow.  |

# STORAGE

---

## Storing Snowblower

Remove snowblower from tractor.

Clean the snowblower with standard garden hose.

Check V-belts, snow auger chain, scraper blade, and skid shoes and replace if worn. Do not install new belts until you take snowblower out of storage.

If possible, store snowblower indoors on hard, level surface.

If you store snowblower outside:

- Put blocks or a board under snowblower.
- Cover snowblower with a waterproof cover.

Inspect snowblower. Repair or replace badly worn or damaged parts.

Apply touch-up paint where needed to prevent rust.

Lubricate snowblower.



# INDEX

|  |        |  |
|--|--------|--|
| A  |        |  |
| Angles, Install Mounting .....   | 9      |  |
| Auger, Lubricate .....   | 24     |  |
| B  |        |  |
| Battery, Check Tractor Engine Oil and .....                                    | 8      |  |
| Bell Crank, Install Clutch Link Rod to Clutch .....                            | 12     |  |
| Belt, Install Upper .....  | 11     |  |
| Belt, Replacing Lower .....  | 25     |  |
| Belt, Replacing Upper .....  | 24     |  |
| Belt, Set Lower V-belt Tension .....   | 12     |  |
| Bracket to Front of Tractor, Install Spring Anchor .....                       | 8      |  |
| Bracket to Rear Side of Front Axle, Install Front Axle .....                   | 8      |  |
| C  |        |  |
| Chains, Install Tractor Weights .....  | 8      |  |
| Chains, Install Tractor Weights and .....                                      | 8      |  |
| Chute Control Support to Frame, Install .....                                  | 13     |  |
| Chute Drive Tube, Adjusting Discharge .....                                    | 24     |  |
| Chute to Auger Housing, Assemble Discharge .....                               | 6      |  |
| Chute, Adjusting .....   | 17     |  |
| Chute, Lubricating Discharge .....   | 24     |  |
| Chute, Unplugging Discharge .....  | 19     |  |
| Clutch Link Rod to Clutch Bell Crank, Install .....                            | 12     |  |
| Clutch Link Rod to Tractor, Install .....                                      | 9      |  |
| Controls and Adjustment Levers .....   | 16     |  |
| D  |        |  |
| Discharge Chute, Unplugging .....  | 19     |  |
| Discharge, Adjusting Distance of Snow .....                                    | 17     |  |
| F  |        |  |
| Frame to Tractor, Attach Lower Mounting .....                                  | 12     |  |
| Frame to Tractor, Attach Upper Mounting .....                                  | 11     |  |
| H  |        |  |
| Handle, Install Lift .....   | 13     |  |
| Height, Adjusting Lift .....   | 18     |  |
| L  |        |  |
| Labels, Safety .....   | 1      |  |
| Levers at Operator Station .....   | 16     |  |
| Lift Assist Springs, Adjusting .....   | 18     |  |
| Lift Bars, Lubricate .....   | 23     |  |
| Lift Handle, Install .....   | 13     |  |
| Lift Height, Adjusting .....   | 18     |  |
| Lubricants .....   | 23     |  |
| Lubricate Auger .....  | 24     |  |
| Lubricate Lift Bars .....  | 23     |  |
| Lubricate Vertical Jack Shaft Zerk .....                                       | 23     |  |
| Lubricating Discharge Chute .....  | 24     |  |
| M  |        |  |
| Mounting Angles, Install .....   | 9      |  |
| O  |        |  |
| Oil and Battery, Check Tractor Engine .....                                    | 8      |  |
| Operating Checklist, Daily .....   | 16     |  |
| Operating Safety .....   | 1      |  |
| Operating Snowblower .....   | 16, 20 |  |
| P  |        |  |
| Parts for Assembly .....   | 4      |  |
| Parts, Replacement .....   | 22     |  |
| R  |        |  |
| Raising and Lowering Snowblower .....  | 17     |  |
| Reflective Tape, Install .....   | 10     |  |
| Rod to Clutch Bell Crank, Install Clutch Link .....                            | 12     |  |
| Rod to Tractor, Install Clutch Link .....                                      | 9      |  |
| S  |        |  |
| Safety Decals .....  | 1      |  |
| Safety, Operating .....  | 1      |  |
| Safety, Service Machine .....  | 3      |  |
| Safety-Alert Symbol; Labels, Safety .....                                      | 1      |  |
| Service Intervals .....  | 23     |  |
| Service Literature; Literature, Service; Parts Catalog; Technical Manual ..... | 22     |  |
| Service Parts .....  | 22     |  |
| Shaft Zerk, Lubricate .....  | 23     |  |
| Shoes, Adjusting Skid .....  | 19     |  |
| Skid Shoes, Adjusting .....  | 19     |  |
| Snowblower Assembly .....  | 5      |  |
| Snowblower Frame, Installing .....   | 11     |  |
| Snowblower, Before Operating .....   | 16     |  |
| Snowblower, Operating .....  | 20     |  |
| Snowblower, Raising and Lowering .....   | 17     |  |
| Snowblower, Removing .....   | 14     |  |
| Snowblower, Stopping Tractor and .....   | 16     |  |
| Snowblower, Storing .....  | 28     |  |
| Snowblowing Tips .....   | 16     |  |
| Spring Anchor Bracket to Front of Tractor, Install .....                       | 8      |  |
| Springs, Adjusting Lift Assist .....   | 18     |  |
| Springs, Install Lift Assist .....   | 13     |  |
| Stopping Tractor and Snowblower .....  | 16     |  |
| Storing Snowblower .....   | 28     |  |

# INDEX

---

---

## T

|                                |    |
|--------------------------------|----|
| Tape, Install Reflective ..... | 10 |
| Tire Pressure, Check .....     | 8  |
| Transporting .....             | 20 |
| Troubleshooting Chart .....    | 27 |

## W

|   |   |
|---|---|
| Weights and Chains, Install Tractor ..... | 8 |
|---|---|

# QUALITY STATEMENT

---

Your product, designed and built by John Deere, is more than just a purchase, it's an investment in quality. That quality goes beyond our equipment to your dealer's parts and service support.

That's why John Deere has initiated a process to handle your questions or problems, should they arise. If you have questions or problems with your new product, please follow the steps below.

To locate your nearest authorized servicing dealer, please call the toll free number listed in your Tractor Operator's Manual.

## Step 1

### Refer to your operator's manual

- A. It has many illustrations and detailed information on the safe and proper operation of your equipment.
- B. It gives troubleshooting procedures, and specification information.
- C. It gives ordering information for parts catalogs, service and technical manuals.
- D. If your questions are not answered in the operator's manual, then go to Step 2.

## Step 2

### Contact your dealer

- A. Your authorized servicing dealer has the responsibility, authority, and ability to answer questions, resolve problems, and fulfill your parts and service needs.
- B. First, discuss your questions or problems with your dealer's trained parts and service staff.
- C. If the parts and service people are unable to resolve your problem, see the dealership manager or owner.
- D. If your questions or problems are not resolved by the dealer, then go to Step 3.

## Step 3

### Call the Customer Communications Center

- A. Your authorized servicing dealer is the most efficient source in addressing any concern, but if you are not able to resolve your problem after checking your operator's manual and contacting your dealer, call the Customer Communications Center.
- B. For prompt, effective service, please have the following ready before you call:
  - The name of the dealer with whom you've been working.
  - Your equipment model number.
  - Number of hours on machine (if applicable).
  - Your 13-digit serial number which you recorded on the inside front cover of this manual.
  - If the problem is with an attachment, your attachment identification number.
- C. Then refer to your Tractor Operator's Manual to locate the Customer Communications Center toll free number and call our advisor who will work with your dealer to investigate your concern.

## Free Manuals Download Website

<http://myh66.com>

<http://usermanuals.us>

<http://www.somanuals.com>

<http://www.4manuals.cc>

<http://www.manual-lib.com>

<http://www.404manual.com>

<http://www.luxmanual.com>

<http://aubethermostatmanual.com>

Golf course search by state

<http://golfingnear.com>

Email search by domain

<http://emailbydomain.com>

Auto manuals search

<http://auto.somanuals.com>

TV manuals search

<http://tv.somanuals.com>