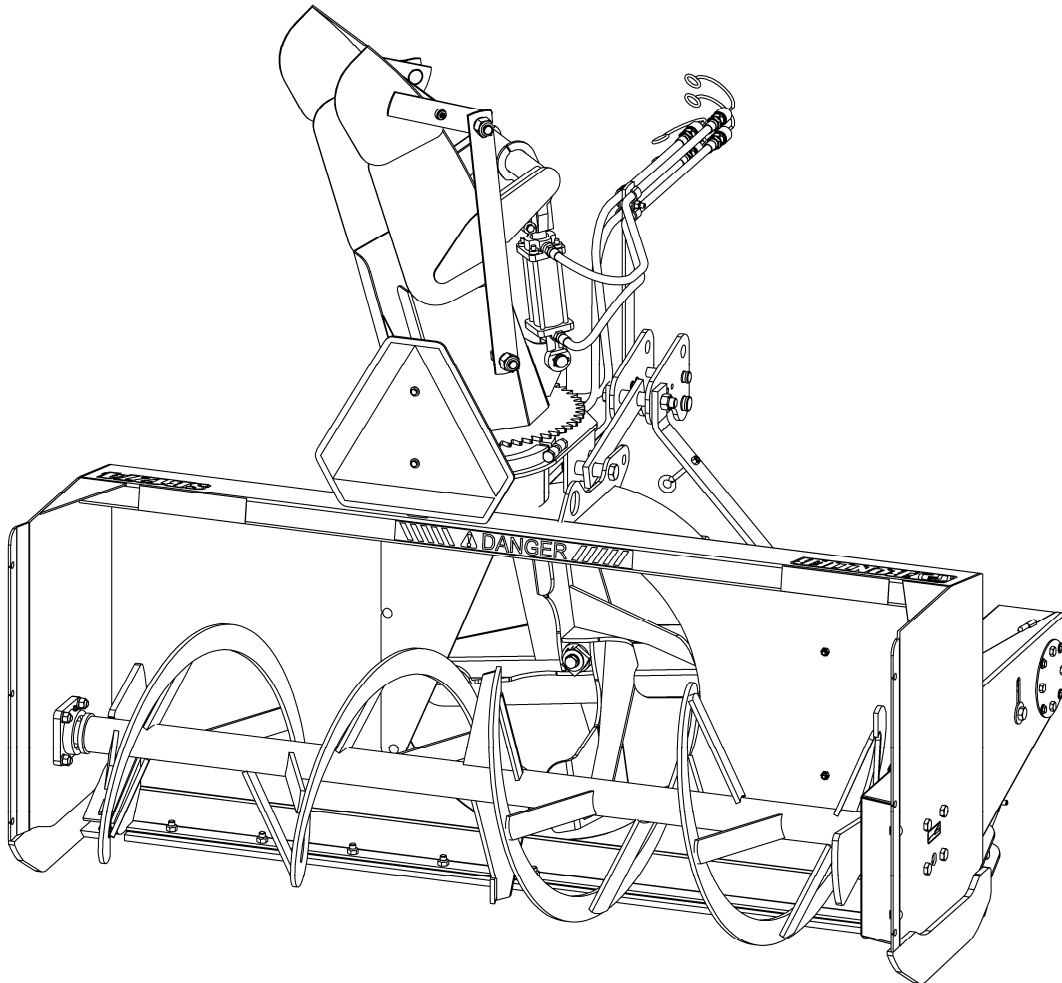


OPERATOR'S MANUAL

# SNOWBLOWERS

SB1274 SB1280

Serial #: 1XFSB12X\_B011 0001 & up



OM0391SB1274-A  
06/11



---

# TABLE OF CONTENT

---

SPECIFICATIONS.....	3
INTRODUCTION – TO THE PURCHASER.....	4
SAFETY PRECAUTIONS .....	5
General Information.....	5
Before Operation .....	6
Notice.....	6
The Snowblower.....	6
Before Operation.....	6
Snowblower operation .....	7
The Tractor .....	7
General Information .....	7
Maintenance .....	8
Transporting.....	9
Storage .....	9
SAFETY DECALS .....	10
ASSEMBLY.....	12
Snowblower Assembly .....	12
Installation of the Three Point Hitch .....	12
Installation of the Chute and the Hydraulic Rotation .....	14
Installation of the Snowblower with a Three Point Hitch .....	17
Installation of the Snowblower with Quick Hitch .....	19
How to Determine Driveline Angles .....	20
Angles at Each End of Driveline.....	21
Determining Driveline Length .....	21
Installation of the Driveline .....	23
Removing Snowblower from Tractor .....	23
OPERATION .....	24
General Preparation .....	24
Operating Controls .....	24
Raising and Lowering the Snowblower.....	24
Work and Travel Speed .....	24
PTO Operation .....	24
Adjustments .....	24
Skid Shoes Adjustment .....	24
Chain Idler Adjustment .....	25
Snow Removal Methods .....	26

---

# TABLE OF CONTENT

---

MAINTENANCE .....	27
Shearbolts .....	27
Drive Shaft.....	27
Driveline .....	27
LUBRICATION.....	28
DRIVELINE TROUBLESHOOTING .....	29
PARTS .....	32
Introduction .....	32
Chain Idler .....	33
Snowblowers – SB1274 & SB1280 -Part 1 .....	34
Snowblowers – SB1274 & SB1280 -Part 2 .....	36
Three Point Hitch .....	38
Three Part Chute – 5RDF0024 .....	39
Hydraulic Rotation .....	40
Gearbox – 5RD662195 .....	41
Driveline – 5RD662194 .....	42
TORQUE SPECIFICATION TABLE .....	43

# SPECIFICATIONS

Features and Specifications	SB1274	SB1280
Working Width	74"	80"
Transport Width	74 1/2"	80 1/2"
Working Height	30"	30"
Length	49" min. – 52" max.	49" min. – 52" max.
Single/Dual Auger	Single	Single
Auger Diameter	20"	20"
Auger Flighting Thickness	3/8"	3/8"
Impeller Diameter	26"	26"
Impeller Width	10 1/2"	10 1/2"
Impeller Shaft Diameter	1 9/16"	1 9/16"
Number of Impeller blades	4	4
Roller Chain	60	60
Drive sprocket (# of teeth)	10	10
Driven sprocket (# of teeth)	32	32
Chain idler	Twin sprocket	Twin sprocket
Gearbox Manufacturer	Comer	Comer
Gearbox Description	Model T27D	Model T27D
Tractor RPM	540	540
Impeller RPM	540	540
Auger RPM	169	169
PTO Manufacturer	Comer	Comer
PTO Description	50	50
Skid Shoe	Adjustable & replaceable	Adjustable & replaceable
Skid Shoe Material	High Carbon steel	High Carbon steel
End Plate Thickness	.1196"	.1196"
Back Plate Thickness	3/16"	3/16"
Impeller Housing Thickness	3/16" CHT100	3/16" CHT100
Impeller Blade Thickness	5/16"	5/16"
Side Panel Bottom Thickness	1/2"	1/2"
Cutting Edge	High Carbon steel Replaceable & reversible	High Carbon steel Replaceable & reversible
Cutting Edge Dimension	1/2" x 3"	1/2" x 3"
Parking Stand	Standard	Standard
Hitch Category	Cat. 1 & 2	Cat. 1 & 2
Quick Hitch Compatibility	ASABE Compatible	ASABE Compatible
HP Requirements - min-max (hp)	30-80	30-80
Operating Weight (lbs)-hyd. rot. & defl.	1013	1051
Shipping Weight (lbs)	973	1011
Approx. Set-up Time (min.)	35	35
Chute Deflector Adjustment	Hydraulic cylinder (2" x 4") including hoses and tips	Hydraulic cylinder (2" x 4") including hoses and tips
Chute Rotation (standard)	Hydraulic with motor	Hydraulic with motor
Chute option	3 part with hydraulic deflector	3 part with hydraulic deflector

---

# INTRODUCTION

---

## **To THE PURCHASER**

All products are designed to give safe, dependable service if they are operated and maintained according to instructions. **Read and understand this manual before operation.**

This manual has been prepared to assist the owner and operators in the safe operation and suitable maintenance of the implements. The information was applicable to products at the time of manufacture and does not include modifications made afterwards.

Read and understand this operator's manual before attempting to put an implement into service. Familiarize yourself with the operating instructions and all the safety recommendations contained in this manual and those labeled on the implements and on the tractor. Follow the safety recommendations and make sure that those with whom you work follow them.

## **Illustrations**

The illustrations may not necessarily reproduce the full detail and the exact shape of the parts or depict the actual models, but are intended for reference only

## **Direction Reference**

Right Hand and Left Hand are determined by those seen by the conductor standing behind the equipment.

*The Dealer is responsible for warranty registration of the unit you have purchased. To assist your dealer in handling your needs, please record hereafter the model number and serial number of your implement and tractor. It is also advisable to supply them to your insurance company. It will be helpful in the event that an implement or tractor is lost or stolen.*

MODEL :

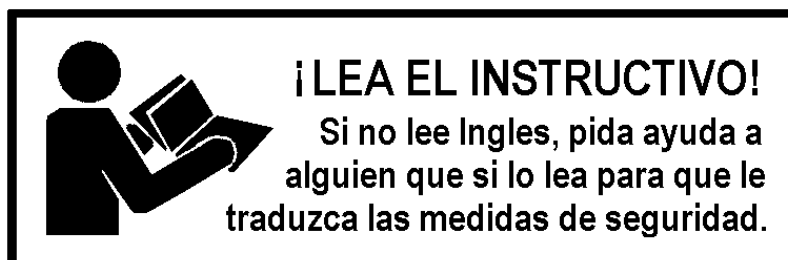
---

SERIAL NUMBER :

---

DATE OF PURCHASE :

---



---

# SAFETY PRECAUTIONS

---



## SAFETY FIRST

This symbol, the industry's "Safety Alert Symbol", is used throughout this manual and on labels on the machine itself to warn of the possibility of personal injury. Read these instructions carefully. It is essential that you read the instructions and safety regulations before you attempt to assemble or use this unit.



**DANGER :** Indicates an imminently hazardous situation which, if not avoided, will result in death or serious injury.



**WARNING :** Indicates a potentially hazardous situation which, if not avoided, could result in death or serious injury.



**CAUTION :** Indicates a potentially hazardous situation which, if not avoided, may result in minor or moderate injury.

**IMPORTANT :** Indicates that equipment or property damage could result if instructions are not followed.

**NOTE :** Gives helpful information.

All products are designed to give safe, dependable service if they are operated and maintained according to instructions. **Read and understand this manual before operation.** It is the owner's responsibility to be certain anyone operating this product reads this manual, and all other applicable manuals, to become familiar with this equipment and all safety precautions. Failure to do so could result in serious personal injury or equipment damage. If you have any questions, consult your dealer.

## **BEFORE OPERATION**

### **Children and Bystanders**

Tragic accidents can occur if the operator is not alert to the presence of children. Children are generally attracted to machines and the work being done. Never assume children will remain where you last saw them.

1. Keep children out of the operating area and under the watchful eye of another responsible adult.
2. Be alert and turn machine off if children enter the work area.
3. Before and when backing, look behind and look for small children.
4. Never carry children while operating the machine. They may fall off and be seriously injured or interfere with safe operation of the machine.
5. Never allow children to play on the machine or attachment even when turned off.
6. Never allow children to operate the machine even under adult supervision.
7. Use extra care when approaching blind corners, shrubs, trees, or other obstructions that might hide children from sight.

---

# SAFETY PRECAUTIONS - continued

---

## **NOTICE**

A safe operator is the best insurance against accidents. All operators, no matter how experienced they may be, should read this Operator's Manual and all other related manuals before attempting to operate an implement. Please read the following section and pay particular attention to all safety recommendations contained in this manual and those labeled on the implements and on the tractor.

## **THE SNOWBLOWER**

### **Before Operation**

1. Read and understand this operator's manual and tractor operator's manual. Know how to operate all controls and how to stop the unit and disengage the controls quickly.
2. Never wear loose, torn, or bulky clothing around the tractor and implement. It may catch on moving parts or controls, leading to the risk of accident.
3. Before the snow season, thoroughly inspect the area where the equipment is to be used and remove all doormats, sleds, boards and other foreign objects.
4. Disengage clutch and shift into neutral before starting the engine.
5. Do not operate equipment in wintertime without wearing adequate winter garments.
6. Never attempt to make any adjustments while engine is running. Read this manual carefully to acquaint yourself with the equipment as well as the tractor operator's manual. Working with unfamiliar equipment can lead to accidents. Be thoroughly familiar with the controls and proper use of the equipment. Know how to stop the unit and disengage the controls quickly.
7. Keep all shields in place and properly tighten all mounting hardware.
8. Periodically, inspect all moving parts for wear and replace with authorized service parts if an excessive amount of wear is present.
9. Replace all missing, illegible, or damaged safety and warning decals. See list of decals in the operator's manual.
10. Do not modify or alter this equipment or any of its components, or any equipment function without first consulting your dealer.
11. Keep safety decals clean of dirt and grime.



---

# SAFETY PRECAUTIONS - continued

---

## **Snowblower Operation**

1. Before leaving the tractor unattended, take all possible precautions. Disengage the PTO, stop the engine and remove the ignition key. Lower the implement to the ground.
2. Before starting the snowblower, remove any ice that has accumulated in the auger/impeller.
3. Watch carefully for foreign objects that could enter the blower while operating.
4. Be sure the clutch switch/lever is in OFF position before starting engine.
5. Do not put hands or feet near rotation parts. Keep clear of discharge opening at all times.
6. Exercise extreme caution when operating on or crossing a gravel drive, walks, or roads. Stay alert for hidden hazards or traffic. Do not carry passengers.
7. Adjust collector housing height to clear gravel or crushed rock surface.
8. Stop the engine, remove the key, and allow the rotating parts to stop before unclogging the collector/impeller housing or chute, and making any repairs, adjustments or inspections. Use only a 36" long piece of wood to unclog blower.
9. If the snowblower starts to vibrate abnormally, stop the engine immediately and check for cause. Excessive vibration is generally a sign of trouble.
10. Do not run the engine indoors except when starting engine and transporting attachment in or out of building. Carbon monoxide gas is colorless, odourless and deadly.
11. Exercise extreme caution when changing direction on slopes. Do not attempt to operate on steep slopes.
12. Never operate snowblower without guards, and other safety protective devices in place.
13. Never operate snowblower near glass enclosures, automobiles, window wells, embankments, etc., without proper adjustment of snow discharge angle.
14. Never operate machine at high transport speeds on a slippery surface.
15. Use extra caution when backing up.
16. Do not direct discharge at bystanders or animals. Ejected objects may cause injury.
17. Disengage power to auger/impeller when transporting or when not in use.
18. Never operate the snowblower without good visibility and lighting.
19. Prolonged exposure to loud noise can cause impairment or loss of hearing. Wear a suitable hearing protective device such as earmuffs or earplugs to protect against objectionable or uncomfortable noises

---

# SAFETY PRECAUTIONS - continued

---

## **THE TRACTOR**

### **General Information**

1. Read the operator's manual carefully before using tractor. Lack of operating knowledge can lead to accidents.
2. Do not allow anyone but the operator to ride on the tractor. There is no safe place for extra riders

### **Operating the Tractor**

1. Never run the tractor engine in a closed building without adequate ventilation, as the exhaust fumes are very dangerous.
2. Never allow an open flame near the fuel tank or battery.
3. Make sure the shield is installed when using a PTO-driven equipment and always replace the shield if damaged.
4. Always bring the tractor to a complete stop, shut off the engine, lower the implement to the ground and remove the ignition key before leaving the tractor.
5. Never park the tractor on a steep slope.
6. Do not attempt to operate on steep slopes.
7. Use of tire chains for better traction and stability is recommended.
8. Always drive the tractor at speeds compatible with safety, especially when operating over rough ground, crossing ditches, or when turning.
9. Handle fuel with care, as it is highly flammable.
10. Use approved fuel container.
11. Never add fuel to a running engine or a hot engine.
12. Fill fuel tank outdoors with extreme care. Never fill fuel tank indoors. Replace fuel cap securely and wipe up spilled fuel.
13. Never allow anyone to operate the snowblower until they are thoroughly familiar with basic tractor and snowblower operation.
14. A minimum 20% of tractor and equipment weight must be on the tractor front wheels when attachments are in transport position. Without this weight, tractor could tip over, causing personal injury or death. The weight may be attained with a loader, front wheel weights, ballast in tires or front tractor weights. Weigh the tractor and equipment. Do not estimate.
15. Always make sure all snowblower components are properly installed and securely fastened BEFORE operation.

### **During Operation**

1. Do not allow anyone to ride on the tractor/snowblower at any time. There is no safe place for passengers on this equipment. The operator MUST sit in the tractor seat.
2. Eye and hearing protection is recommended when operating the snowblower.
3. Operate only during daylight hours, or when the area is well lit with bright artificial light.
4. Disengage the PTO (turn to "OFF"), place the transmission in neutral, set the parking brake, shut off the engine and remove the key, and make sure rotating components have stopped BEFORE leaving the operator's seat.
5. Inspect the snowblower after striking any foreign object to assure that all snowblower parts are safe and secure and not damaged.

---

# SAFETY PRECAUTIONS- continued

---

## **MAINTENANCE**

1. Park the tractor/snowblower on level ground, set the parking brake, disengage the PTO, shut off the engine, remove the key, and lower the implement to the ground **BEFORE** making any snowblower adjustments.
2. To avoid injury, do not adjust, unclog or service the snowblower with the tractor engine running. Making sure rotating components have completely stopped before leaving the operator's seat
3. Keep the tractor/snowblower clean. Snow and ice build-up can lead to malfunction or personal injury from thawing and refreezing in garage.
4. Always wear eye protection when cleaning or servicing the snowblower.
5. Do not work under any part of the tractor or snowblower, unless it is securely supported by safety stands.
6. Make sure all shields and guards are securely in place following all service, cleaning, or repair work.
7. Do not modify or alter this equipment or any of its components or operating functions. If you have questions concerning modifications, consult with your dealer.

## **TRANSPORTATION**

1. If the tractor/snowblower is to be driven on public roads, it must be equipped with an SMV (Slow Moving Vehicle) sign. Check local traffic codes that may apply to unit usage on public roads and highways in your area.
2. Be alert for all other traffic when driving the tractor/snowblower on public roads or highways.


## **STORAGE**

1. Before storing the snowblower, certain precautions should be taken to protect it from deterioration.
2. Clean the snowblower thoroughly.
3. Make all the necessary repairs.
4. Replace all Safety Signs that are damaged, lost, or otherwise become illegible. If a part to be replaced has a sign on it, obtain a new safety sign from your dealer and install it in the same place as on the removed part.
5. Repaint all parts from which paint has worn or peeled.
6. Lubricate the snowblower as instructed under "**Lubrication**" section.
7. When the snowblower is dry, oil all moving parts. Apply oil liberally to all surfaces to protect against rust.
8. Attach driveline shield safety chain around driveline by passing it over the upper hitch
9. Store in a dry place.

# DECALS

**Replace Immediately If Damaged**

**▲ DANGER**



**To Avoid Serious Injury:**

- Keep hands out of discharge chute while engine is running.
- Shut off engine before unclogging discharge chute.

**Pour Éviter Des Blessures Graves:**

- Garder les mains éloignées de la chute lorsque le moteur est en marche.
- Arrêter le moteur avant de débloquent la chute.

645

**▲ DANGER**



**Avoid injury from rotating gears:**

- Keep hands and clothing away.
- Stop engine and remove ignition key before coming near rotating gears.
- Do not attempt to install or remove rotating gears without reading operator's manual.

**Évitez les blessures par les engrenages :**

- Garder mains et vêtements éloignés.
- Arrêtez le moteur et enlevez la clé de contact avant de vous approcher des engrenages.
- Ne tentez pas d'installer ou d'enlever les engrenages sans lire le manuel d'opérateur.

679



**▲ DANGER ▲**



**ROTATING DRIVELINE CONTACT CAN CAUSE DEATH. KEEP AWAY!**

**DO NOT OPERATE WITHOUT ALL DRIVELINE, TRACTOR AND EQUIPMENT PROTECTORS IN PLACE. DRIVELINE SECURELY AT TRACTOR AT BOTH ENDS.**

**ARRÊTEZ LE MOTEUR AVANT D'ENLEVER LES PROTECTEURS TOUJOURS LIÉS À UN VÉHICULE DE TRACTEUR.**

**ARRÊTEZ LE MOTEUR AVANT D'ENLEVER LES PROTECTEURS TOUJOURS LIÉS À UN VÉHICULE DE TRACTEUR.**

16h 8h 16h 8h 16h

MADE IN ITALY

5RD2500782

SB1274 - 5RD2500777  
SB1280 - 5RD2500778

5RD2500833

5RD2500813



5RD2500616

**▲ DANGER**

5RD664383

075-0025



5RD664391

# DECALS

## Replace Immediately If Damaged

**⚠ DANGER**



**Avoid Injury From Rotating Auger:**

- Keep hands, feet and clothing away.
- Shut off engine before servicing.

**Pour Éviter Des Blessures Graves:**

- Garder les mains, les pieds et les vêtements éloignés des vis sans fin.
- Arrêter le moteur avant de faire l'entretien.

646

5RD2500783

**⚠ WARNING**

FALLING OFF CAN RESULT IN BEING RUN OVER.



**Falling Off Or Going Underneath Implement Can Result In Serious Injury Or Death.**

- Tractor must be equipped with ROPS (or ROPS CAB) and seat belt. Keep foldable ROPS systems in "locked up" position at all times.
- Buckle up! Keep seat belt securely fastened.
- Allow no riders

**Raised Implement Can Drop And Crush.**

- Never go underneath raised implement which can drop from equipment or tractor 3-point hitch hydraulic leak down, hydraulic system failures, movement of control levers, or mechanical linkage failures.
- Service work does not require going underneath implement. Read manual instructions.

654

5RD2500794

**⚠ ATTENTION**

**Pour Éviter Des Blessures Sérieuses:**

- Lire le Manuel de l'Opérateur avant de manoeuvrer, d'effectuer l'entretien ou de réparer l'équipement. Suivre toutes les consignes de sécurité. Les manuels sont disponibles chez votre concessionnaire.
- Ne jamais laisser des passagers monter sur l'équipement.
- Garder les spectateurs loin de l'équipement pendant les opérations.
- Toujours manoeuvrer l'équipement à partir du siège du tracteur.
- Maintenir les gardes en place en tout temps et en bonne condition.
- Abaisser l'équipement au sol, couper le contact, retirer la clé et appliquer le frein avant de quitter le tracteur.
- Ne jamais laisser un enfant ou une personne non formée manoeuvrer l'équipement.

649

5RD2500786

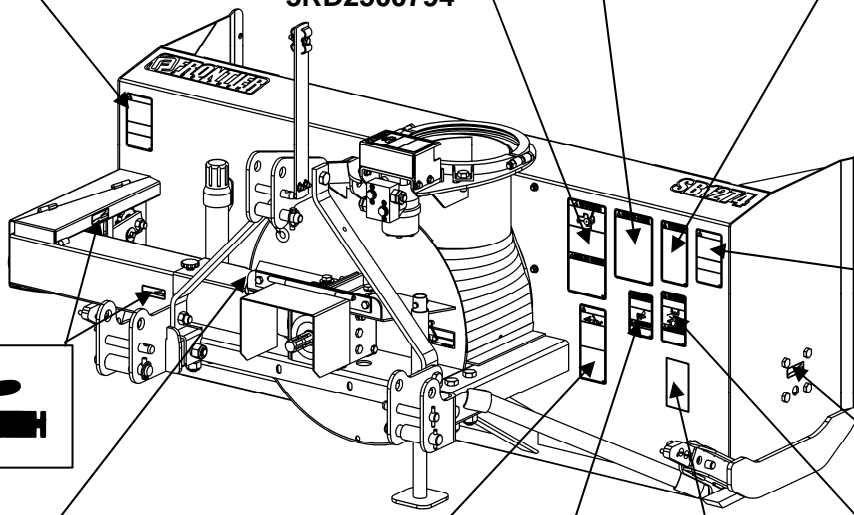
**⚠ CAUTION**

**To Avoid Serious Injury:**

- Read operator's manual before operating, servicing or repairing equipment. Follow all safety rules and instructions. (manuals are available from your selling dealer.)
- Never allow riders.
- Keep bystanders away from equipment during operation.
- Operate from tractor seat only.
- Keep all shields in place and in good condition.
- Lower equipment to ground, stop engine, remove key and set brake before dismounting tractor.
- Never allow children or untrained persons to operate equipment.

648

5RD2500785



**⚠ DANGER**



**AVOID INJURY FROM ROTATING AUGER:**

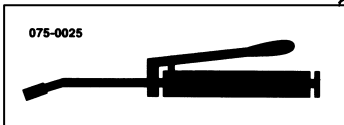
- KEEP HANDS, FEET AND CLOTHING AWAY.
- SHUT OFF ENGINE BEFORE SERVICING.

**POUR ÉVITER DES BLESSURES GRAVES:**

- GARDER LES MAINS, LES PIEDS ET LES VÊTEMENTS ÉLOIGNÉS DES VIS SANS FIN.
- ARRÊTER LE MOTEUR AVANT DE FAIRE L'ENTRETIEN.

574

5RD2500606



5RD664391



5RD664391

**IMPORTANT**

Before using:

- Oil level must be checked
- Fill with SAE 80W90, "AGMA 5 EP" extreme pressure oil or equivalent
- Read instructions manual

**IMPORTANT**

Avant usage:

- Vérifier le niveau d'huile
- Remplir avec de l'huile SAE 80W90, "AGMA 5EP" pression extrême ou équivalent
- Lire manuel d'instructions

21

5RD655834

**⚠ MISE EN GARDE**

**TOMBER PEUT OCCASIONNER DE SE FAIRE PASSER DESSUS.**



**Tomber Du Tracteur Ou Se Placer Sous L'équipement Peut Occasionner Des Blessures Graves Ou La Mort.**

- Le tracteur doit être muni d'un arc de sécurité "ROPS" ou d'une cabine ("ROPS" CAB) et d'une ceinture de sécurité. Garder l'arc ou la ceinture en position verrouillée en tout temps.
- Attachez-vous! Garder la ceinture de sécurité attachée en tout temps.
- Ne jamais faire monter de passagers.


**Un Équipement En Position Soulevé Peut Tomber Et Ecraser**

- Ne jamais se placer sous l'équipement soulevé puisqu'il pourrait tomber soudainement du véhicule ou de l'attache 3 points du tracteur suite à une défaillance hydraulique, une fuite d'huile, un mouvement des leviers de contrôle ou un bris mécanique du système d'attache.
- Les travaux d'entretien ne nécessitent pas d'aller sous l'équipements. Lire les instructions du manuel.

659

5RD2500795

**⚠ DANGER**



**Rotating Driveline Contact Can Cause Death. Keep People And Clothing Away. Do not operate without:**

- All driveline, tractor and equipment shields in place.
- Driveline securely attached at both ends.
- Driveline shield turning freely on driveline.

**Transmission Rotative A Cardan.**

**Tout Contact Peut Causer La Mort. Tenir Les Vêtements Et Personnes À L'écart Ne pas opérer sans:**

- Que tous les protecteurs du tracteur, de l'équipement et de l'arbre à cardan soient en place.
- L'arbre à cardan fixé solidement à chaque bout.
- Que les protecteurs tournent librement sur l'arbre à cardan.

652

5RD2500792

**⚠ WARNING**

**Hydraulic fluid under pressure can penetrate the skin causing serious injury.**



**⚠ ATTENTION**

**Un liquide hydraulique sous pression peut pénétrer la peau et causer des blessures sérieuses.**

651

5RD2500791

**⚠ WARNING**

**Thrown Objects Hazard**

- Keep hands, feet and face away from opening.



**⚠ ATTENTION**

**Risque De Projection D'objets**

- Garder les mains, les pieds et le visage à l'écart de l'ouverture.

647

5RD2500784

---

# ASSEMBLY

---

## **SNOWBLOWER ASSEMBLY**

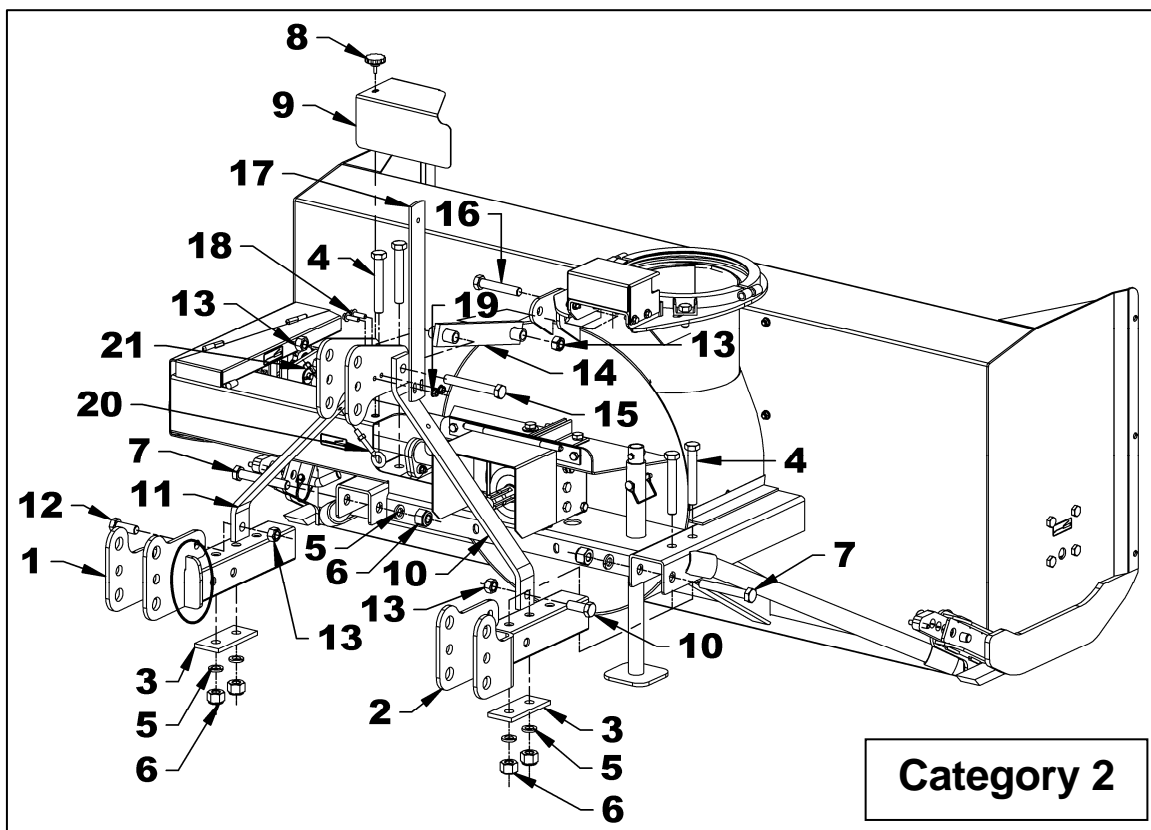
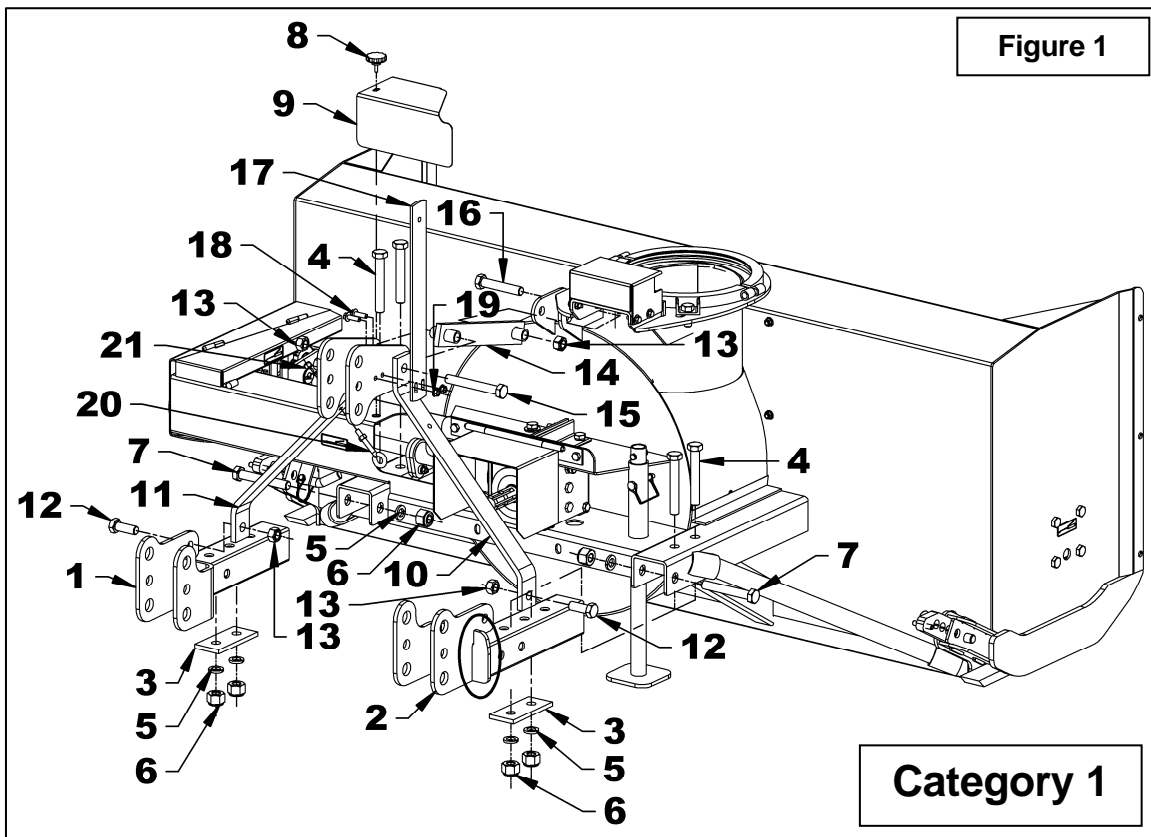
The snowblower is assembled at the factory; however, certain components must be assembled. Use the present manual and lay out all parts for assembly. Separate bolts and nuts into various sizes. After assembly, torque all the bolts according to the Torque Specification Table enclosed at the end of the manual.

### **Installation of the Three Point Hitch** **(Figures 1-2)**

**NOTE:** Pay particular attention to the position of the lower hitches. The overhang of the bent section must be **on the outside for Cat. 1** and **on the inside for Cat. 2** as illustrated.

1. Remove the knob (item 8) and the rear guard (item 9).
2. Attach the lower hitches (items 1-2) to the snowblower with two 3/4"NC x 5" hex. bolts (item 7), 3/4" lockwashers and 3/4" nylon insert nuts (items 5-6). Place the two reinforcement plates (item 3) under the lower hitches and secure with four 3/4"NC x 5" bolts (item 4), two 3/4"NC x 5 1/2" bolts (item 3), 3/4" lockwashers and 3/4" nylon insert locknuts (items 5-6).
3. Attach the hitches (items 10-11) to the lower hitches (items 1-2) as illustrated with two 3/4"NC x 2" bolts (item 12) and 3/4" Stover nuts (item 13).
4. Fasten each hitch (items 10-11) to the upper hitch (item 14) with a 3/4"NC x 5 1/2" bolt and a 3/4" Stover nut (item 13). Attach the upper hitch (item 14) to the snowblower with a 3/4"NC x 4" bolt (item 16) and a 3/4" Stover nut (item 13).
5. Attach the hose support (item 17) to the upper hitch (item 10) in the position shown with two 3/8" NC x 1 1/4" serrated flange bolts and two 3/8" serrated flange nuts (items 24-25).
6. Reinstall the rear guard (item 9) with the knob (item 8).
7. Install the eyebolt (item 20) in the upper hole of the left or right side of the three point hitch by screwing the eyebolt nut to the top and locking eyebolt in place with a 3/8" serrated flange nut (item 21).
8. Tighten all bolts according to the "***Torque Specification Table***" at the end of the manual.

# ASSEMBLY



# ASSEMBLY

## Installation of the Chute and the Hydraulic Rotation (Figures 3-4-5-6-7-8)

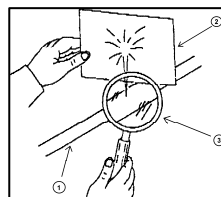
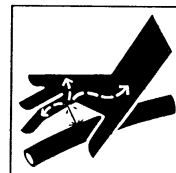
- Figures 3:** Remove the retaining plate (item 1) by removing the two 5/8" x 1 1/2 bolts (item 2) and 5/8" serrated flange nuts (item 3).
- Figures 3:** Remove the rotation ring (item 4) and the gear shield (item 5) by removing the four 5/16" x 1" serrated flange nuts (item 6) and the 5/16" serrated flange nuts (item 7).
- Figure 4:** Take off the motor gear (item 1) by removing the bolt, the lockwasher and the flat washer (items 2-3-4).
- Figure 4:** Remove the four bolts, lockwashers and flat washers (items 5-6-7) the remove the hydraulic motor (item 8) making sure the key (item 9) remains in the motor shaft.
- Figure 4:** Remove the anchoring plate (item 10) and the anchoring flat bar (item 11).



**CAUTION**

**To avoid serious personal injury. Escaping hydraulic/ diesel fluid under pressure can penetrate the skin causing serious injury.**

- Do not use your hands to check for leaks. Use a piece of cardboard or paper to search for leaks.



1. Hydraulic hose
2. Cardboard
3. Magnifying glass

- Stop engine and relieve pressure before connecting or disconnecting lines.
- Tighten all connections before starting engine or pressurizing lines.

If any fluid is injected into the skin, obtain medical attention immediately or gangrene may result

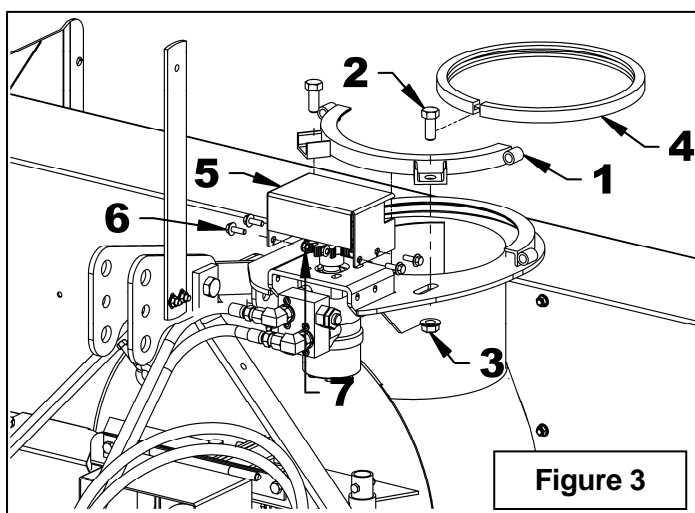


Figure 3

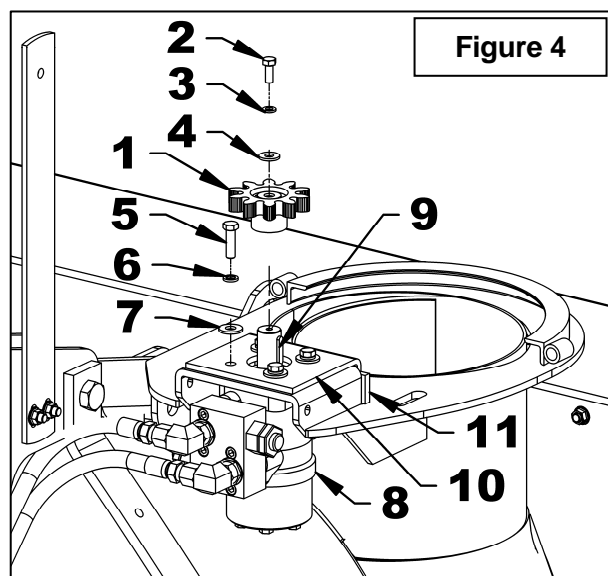
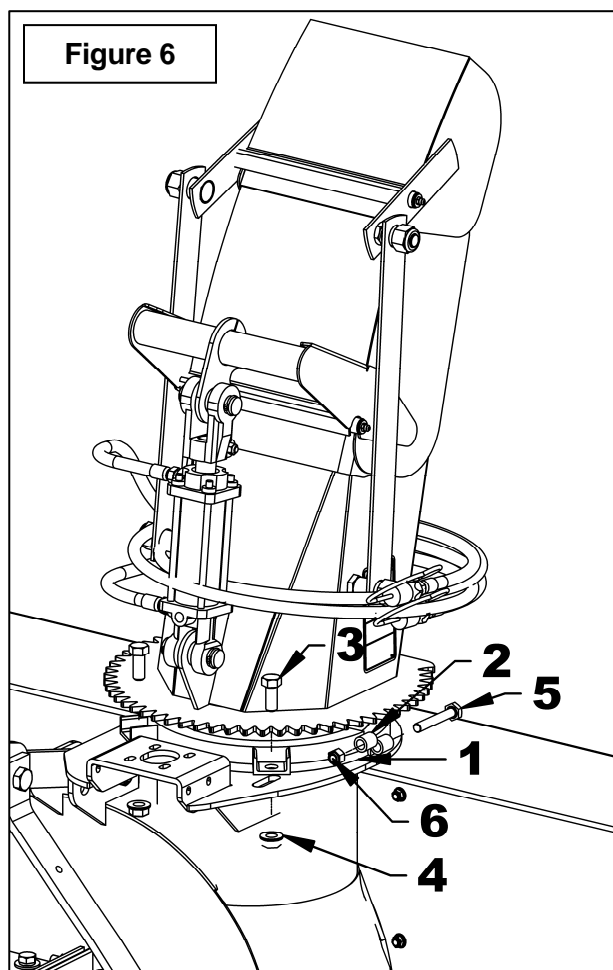
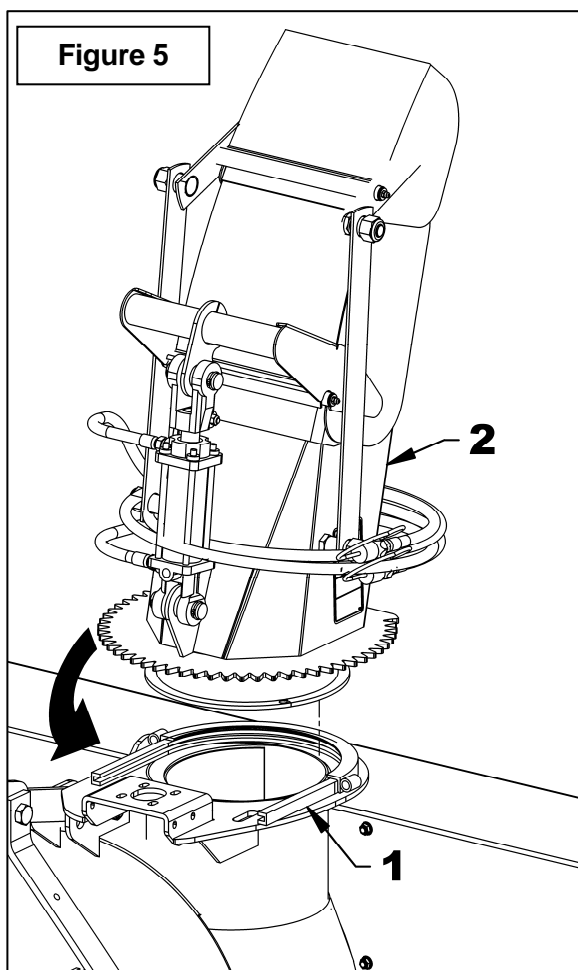


Figure 4



# ASSEMBLY

6. **Figure 5:** Insert the rotation bushing (item 1) in the snowblower's welded retaining plate. Place the chute (item 2) on the plate of the snowblower head and push the chute towards the front to insert it in the rotation bushing.
7. **Figure 6:** Install the retaining plate (item 2) on the snowblower by bending each bushing end (item 1) inside the retaining plate. Align the vertical holes of the retaining plate (item 2) with the oblong holes of the snowblower. Secure in place with the two 5/8" x 1 1/2" bolts (item 3) and 5/8" serrated flange nuts (item 4) previously removed. Do not tighten.
8. **Figure 6:** Insert two 1/2" x 3 1/4" bolts (item 5) to join together the two retaining plates. Bring the two retaining plates closer. When enough threads of the 1/2" x 3 1/4" bolts (item 5) exceed the holes, screw in the 5/8" x 1 1/2" bolts (item 3) slightly. When the bolt ends (item 5) exceed sufficiently, secure with two 1/2" nylon insert nuts (item 6) until the two retaining plates are approximately 1/4" apart.
9. **Figure 6:** Tighten the 1/2" x 3 1/4" bolts (item 5) to reduce the gap between the retaining plates until chute turns with a slight resistance.
10. **Figure 6:** Tighten the two 5/8" x 1 1/2" bolts (item 3) according to the "**Torque Specification Table**" at the end of the manual.



# ASSEMBLY

11. **Figure 7:** Install the motor (item 1) placing the anchor plate on top (item 2) as shown on figure. Attach with four 3/8"NC x 1 1/4" (item 3) hex. bolts, lockwashers and flat washers (items 4-5). Tighten manually.

12. **Figure 7:** Grease the inside of the motor gear (item 6) and install with the key, 8mm x 20mm bolt (item 7), lockwasher and flat washer (items 8-9). Tighten according to the "**Torque Specification Table**" at the end of the manual.

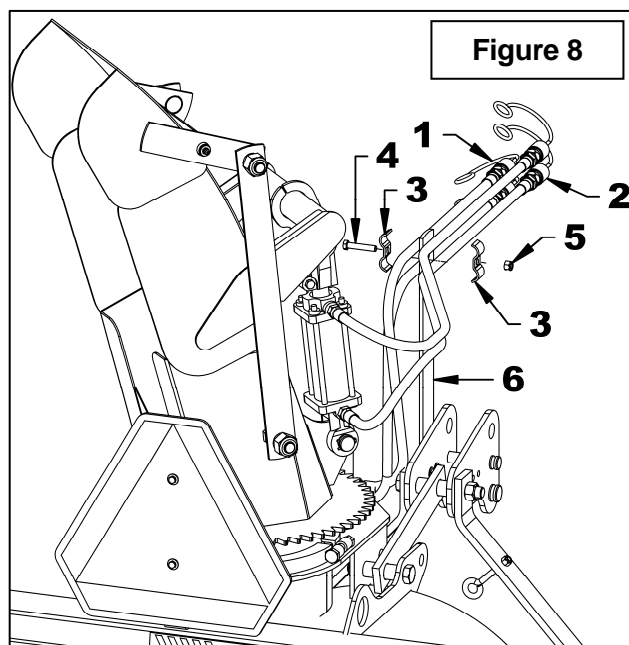
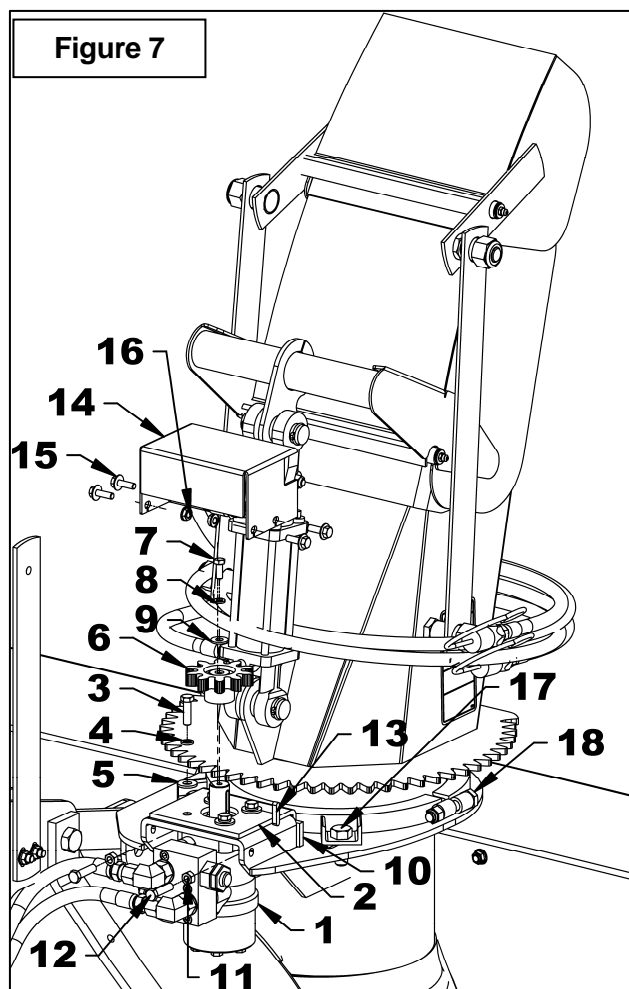
13. **Figure 7:** Insert the anchoring flat bar (item 10) between the anchor plate (item 2) and the motor support as shown on figure. Screw the 3/8"NC nuts (item 11) at maximum on the two 3/8"NC x 1 1/2" lg bolts (item 12). Install those two bolts (item 12) by screwing them in the anchoring flat bar (item 10).

14. **Figure 7:** Adjust the distance between the chute gear and the motor gear according to the following step:

- A. Slightly unscrew the two bolts (item 17) that hold the retaining plate.
- B. Screw the two nuts (item 18) simultaneously until the distance between the retaining plates and the chute base is leveled.
- C. Retighten the bolts (item 17) according to the "**Torque Specification Table**". at the end of the manual.
- D. Adjust the gears to a distance between 1/32" and 1/16" by screwing the two bolts (item 12). Secure with the nuts (item 11) moving them against the anchoring flat bar (item 10). Tighten the four bolts (item 3) at 30 lbs-ft (41 N-M).
- E. Run a test at low speed. If the gears have an irregular sound while testing, it means the adjustment is incorrect. Bring parts closer to each other until the sound becomes regular and even.

15. **Figure 7:** Reinstall the gear and the cover (item 13) with four 5/16" x 1" bolts (item 14), 3/8" flat washers (item 15) on the outside and 5/16" serrated flange nuts (item 16) on the inside. Tighten according to the "**Torque Specification Table**" at the end of the manual.

16. **Figure 8:** Attach the motor and cylinder hoses (items 1-2) on each side of the hose support (item 6) with two hose clamps (item 3), a 3/8"NC x 2" hex. bolt (item 4) and a 3/8"NC nylon insert nut (item 5).



---

# ASSEMBLY

---

## Installation of the Snowblower with a Three Point Hitch

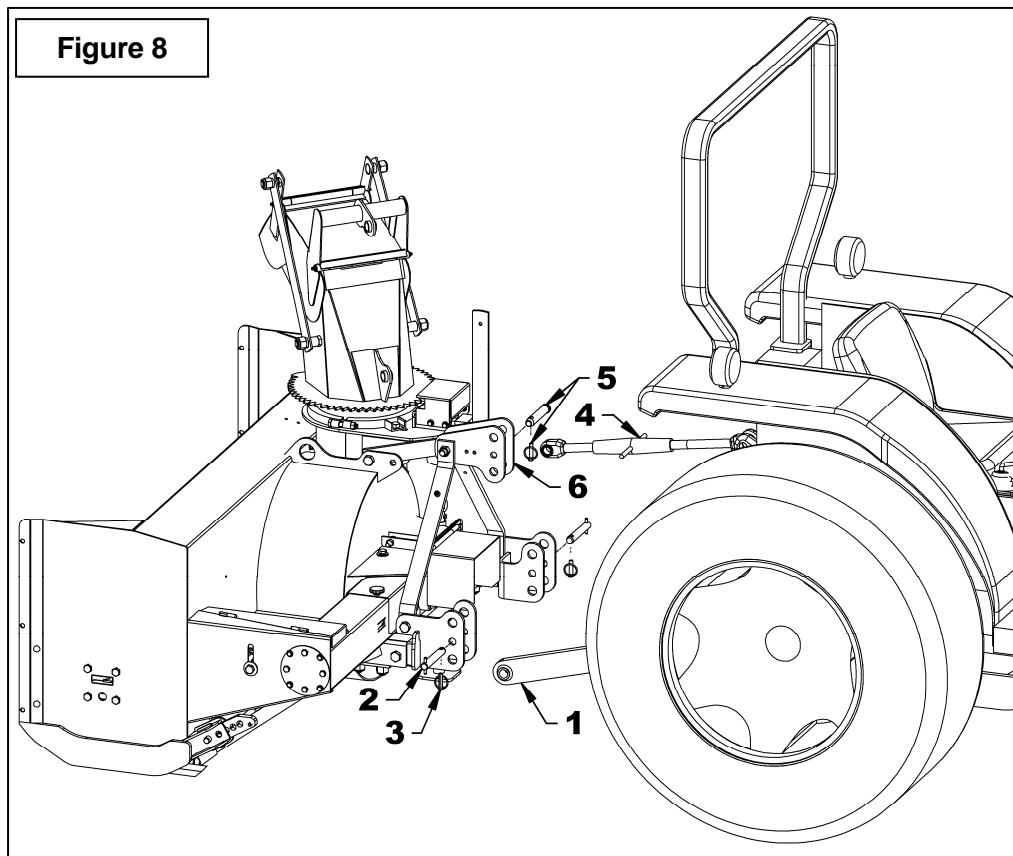
(Figures 8-9)

### CATEGORY 1

(Figure 8)

1. Attach the lower hitches (item 1) by inserting the  $\text{\O}7/8$ " Cat. 1 pins (item 2) in the middle holes of the lower hitches as shown and secure with  $7/16$ " linchpins (item 3).
2. Attach the upper hitch (item 4) between the upper plates (item 6) with the  $5\ 7/16$ " lg. cat. 1 pin and a  $7/16$ " linchpin (item 5).
3. Level the snowblower with the upper hitch (item 4) so that it runs parallel to the ground.
4. Set the tractor anti-sway turnbuckles so the snowblower does not sway. Be sure the turnbuckles clear the tractor tires.

**IMPORTANT:** Before connecting the snowblower driveline to the tractor drive shaft, make sure the driveline is not too long in raised, lowered or middle position. If the driveline is too long it must be shortened, to avoid damaged to the tractor. See procedure on pages 20 to 22.



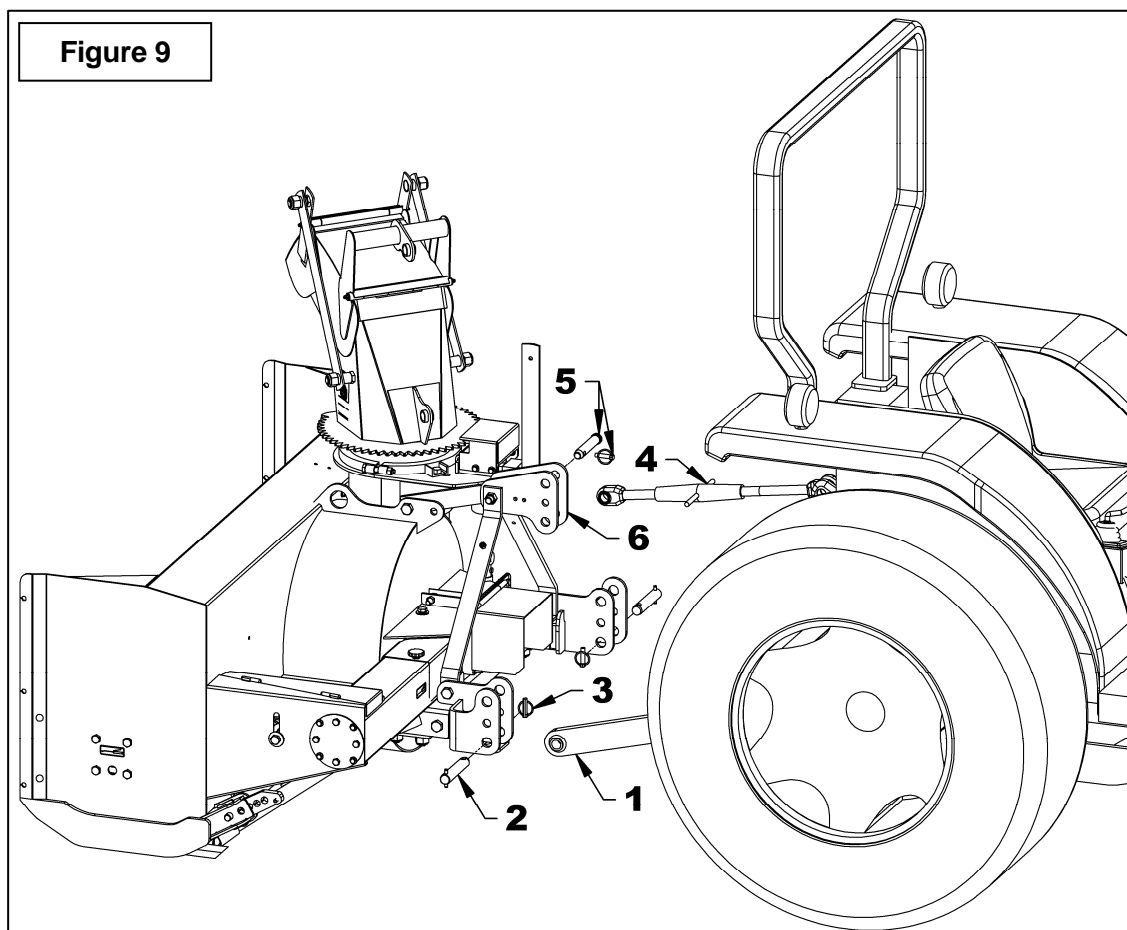
# ASSEMBLY

## CATEGORY 2

(Figure 9)

1. Attach the lower hitches (item 1) by inserting the  $\text{\O}1\ 1/8"$  Cat. 2 pins (item 2) in the lower holes of the lower hitches as shown and secure with the  $7/16"$  linchpins (item 3).
2. Attach the upper hitch (item 4) between the upper plates (item 6) with the  $6\ 1/16"$  lg. cat. 2 pin and a  $7/16"$  linchpin (item 5).
3. Level the snowblower with the upper hitch (item 4) so that it runs parallel to the ground.
4. Set the tractor anti-sway turnbuckles so the snowblower does not sway. Be sure the turnbuckles clear the tractor tires.

**IMPORTANT:** Before connecting the snowblower driveline to the tractor drive shaft, make sure the driveline is not too long in raised, lowered or middle position. If the driveline is too long it must be shortened, to avoid damaged to the tractor. See procedure on pages 20 to 22.



# ASSEMBLY

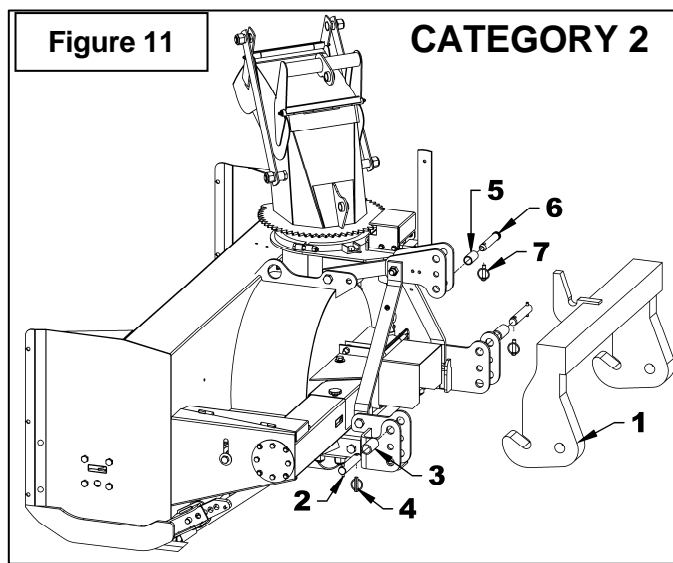
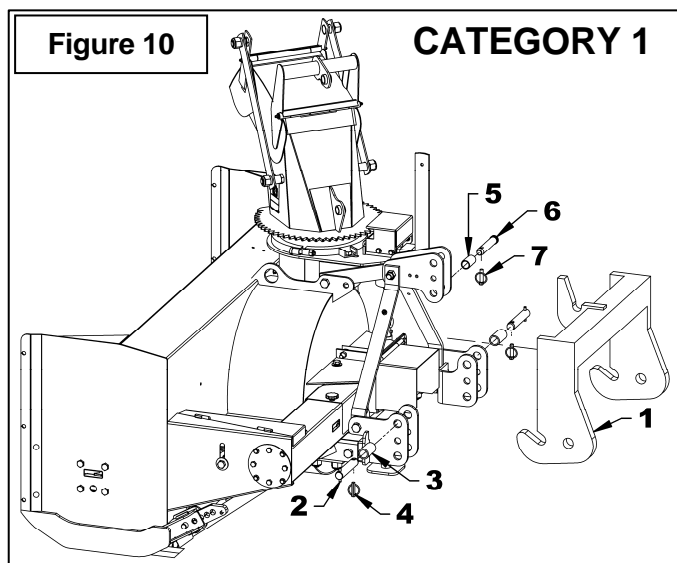
## Installation of the Snowblower with a Quick Hitch (Figures 4-5)

**IMPORTANT:** Make sure the lower hitches are in the right position according to the category. The overhang of the bent section must be **on the outside for Cat. 1** and **on the inside for Cat. 2** as illustrated.

1. Place two  $\text{\O}1\ 1/2$ " ext. bushings (item 3) between the two upper holes of the lower hitches, insert the  $\text{\O}1\ 1/8$ " x  $6\ 1/4$ " lg cat. 2 pins (item 2) and lock in place with  $7/16$ " linchpins (items 4).
2. Insert a  $\text{\O}1\ 1/4$ " ext. bushing (item 5) between the lower holes of the upper plates and lock in place with  $\text{\O}3/4$ " x  $5\ 7/16$ " cat. 1 pin and  $7/16$ " linchpin (items 6-7)
3. Unlock the quick hitch lower locks (item 1).

4. Lower the quick hitch as much as possible, back up the tractor while aligning the lower and upper quick hitch sockets with the pins of the three point hitch.
5. Slowly raise the tractor hitch until the snowblower is securely settled on the quick hitch (item 1).
6. Lock the quick hitch lower locks (item 1).

**IMPORTANT:** Before connecting the snowblower driveline to the tractor drive shaft, make sure the driveline is not too long in raised, lowered or middle position. If the driveline is too long it must be shortened, to avoid damaged to the tractor. See procedure on pages 20 to 22.



---

# ASSEMBLY

---

## **IMPORTANT:**

A proper initial installation will give you years of satisfactory service on your equipment. Please read carefully following instructions that have been specially included to help you and ensure you are satisfied with your purchase.

**WARNING:** Unfortunately, snowblowers will be faced with forgotten or hidden objects under the snow, such as : chain, tires, stones, pieces of wood, etc. In spite of all our efforts, machines are not built to resist all those conditions.

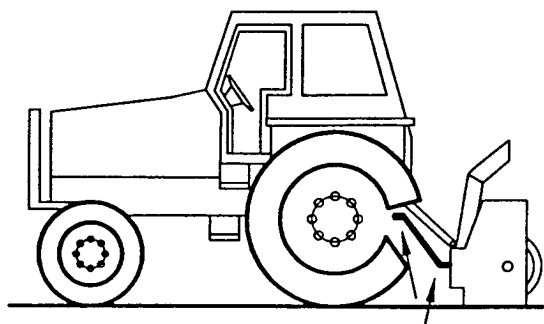
## **How to Determine Driveline Angles**

**IMPORTANT:** To obtain the proper universal joint angles, it is recommended to adjust the three point hitch at the furthest point from the tractor recommended by the manufacturer

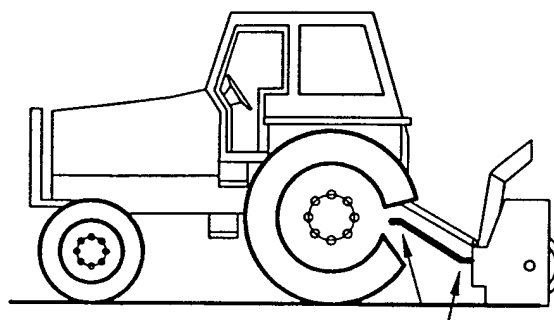
## **Danger: Tractors Too Big**

It is dangerous to use a tractor that is too big and powerful. The tractor will always be able to overload the blower, even if the machine is already at maximum capacity. Furthermore, tractors being very high, the driveline angles will be excessive which means the universal joints will be very vulnerable and the life of the driveline will be dramatically reduced.

The universal joint angle is directly related with the life of driveline. In order to reduce the angle, it is necessary to increase the distance between the snowblower and the tractor.

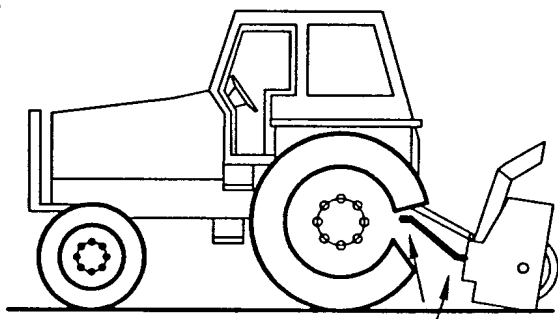


**Angles of Driveline Joints Too Large**  
**Avoid**

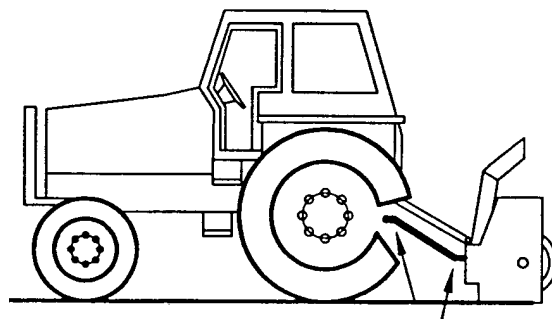


**Reasonable Angles of Driveline Joints**  
**Acceptable**

# ASSEMBLY



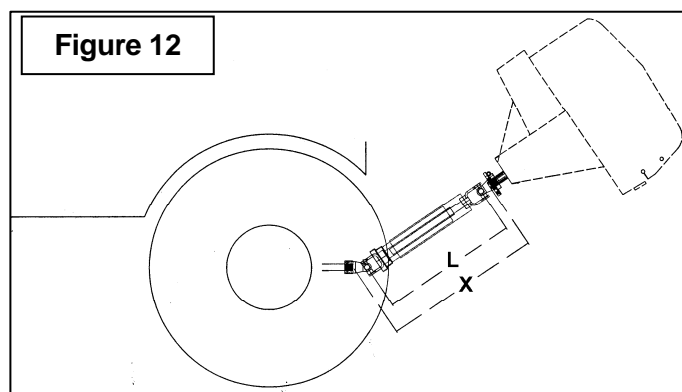
**Unequal Angles at Driveline Joints**  
**Avoid**



**Equal Angles at Driveline Joints**  
**Recommended**

## **Angles at Each End of Driveline**

A popular habit is to change the snowblower angle in order to obtain a better scraping effect. This practice can become harmful to the driveline since the angle at each end is unequal. This results in a fan speed variation as well as a drastic increase of load on cross and bearings. To be avoided: It is recommended to always keep tractor driveline and snowblower input shaft parallel.



## **Determining Driveline Length**

**IMPORTANT:** Before using the equipment, make sure the driveline is not too long. At working position, the two half drivelines must intersect each other sufficiently to insure maximum efficiency but there must not be any interference.

1. To determine the "L" length for your tractor model first find the "X" factor by measuring the horizontal distance between the end of the tractor's drive shaft and the end of the snowblower's driven shaft when the snowblower is in transport position as shown on **Figure 12**.
2. Choose in the table below the "Y" factor according to the tractor category and deduct that number from "X" to determine "L" which is the center-to-center length between the universal joints.

<b>L = X - Y</b>	
<b>3 PTS HITCH CATEGORY</b>	<b>Y</b>
Cat. 1	4 1/2"
Cat. 2	5 1/2"

# ASSEMBLY

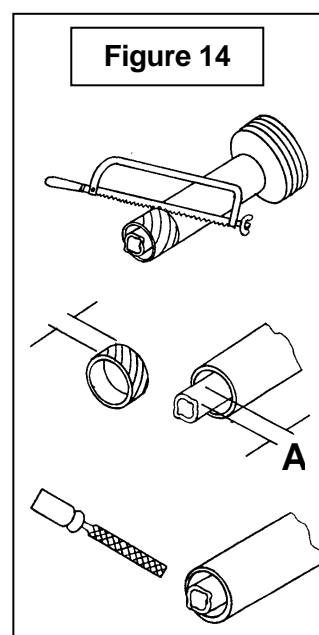
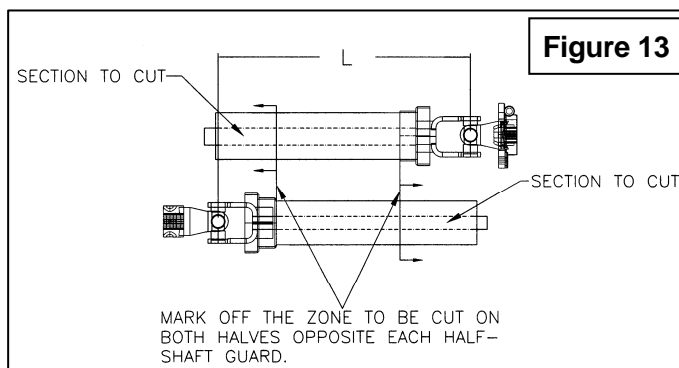
**NOTE:** Before cutting, make sure the two shafts intersect by at least 7 3/4" when in working position that is when the snowblower rests on the ground.

3. Hold the two half-shaft side by side and locate the "L" length between the two center-to-center half-shaft universal joints. Mark off the zone to be cut on both halves opposite each half-shaft guard as shown on **Figure 13**.
4. Cut off inner and outer guard tubes as well as the inner and outer telescopic sections.
5. Cut the guard a second time leaving the same distance between the end of the guard and the end of the shaft as existed before. To obtain the proper distance "A" shown on **Figure 14**, cut the guard according to the following table:

DISTANCE A	
Male PTO	Female PTO
2"	1 1/2"

6. File down tubes and remove chips.
7. Apply grease to inside of outer telescopic section.

**IMPORTANT:** Work with fully guarded shafts only!





# ASSEMBLY

## Installation of the Driveline

(Figure 15)

1. Raise the driveline shield (item 1).
2. Remove the paint from the gearbox shaft (item 3).
3. Grease the sliding sections of the driveline as well as the yoke.
4. Remove the two bolts (item 4) and the two nuts (item 5) from the yoke (item 3) and connect the driveline to the snowblower. Make sure the driveline is secure on the shaft by reinstalling the bolts and nuts (items 4-5) in the order shown and tighten according to the **Torque Specification Table** at the end of the manual.
5. Lower the driveline shield (item 1).
6. Attach the driveline chain to the eyebolt
7. Before operating the snowblower, raise the parking stand from the ground.

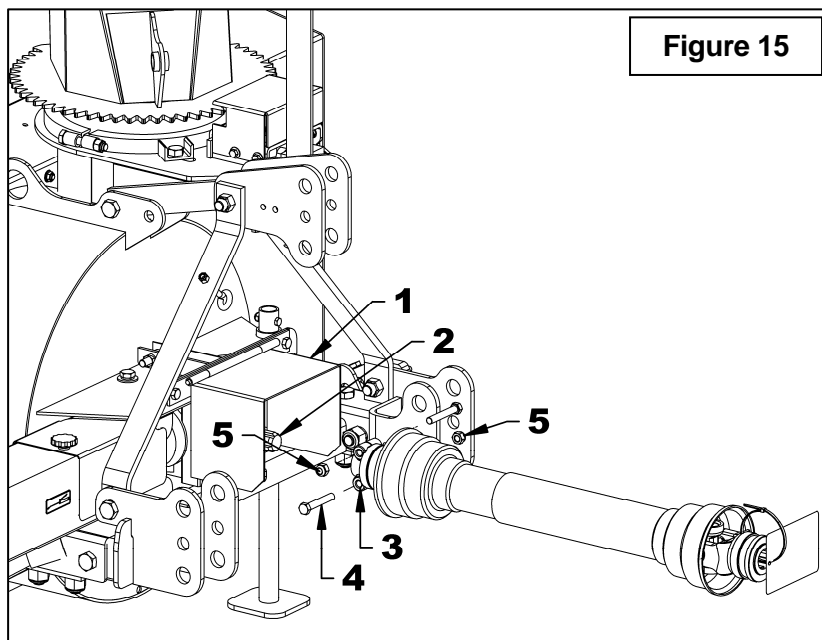
**NOTE:** Depending on tractor used, it may be necessary to install front tractor weights to maintain front-end stability.

**IMPORTANT:** To avoid damage to the snowblower, retorque all bolts after the first 10 hours of operation.

## Removing Snowblower from Tractor

Find a level surface. Lower the parking stand. Remove the driveline from the tractor PTO. Detach the top link. Detach the right lower link then detach the left lower link.

**NOTE:** We recommend using the driveline chain when storing the snowblower.



---

# OPERATION

---

## GENERAL PREPARATION

1. Read the operator's manual carefully before using the tractor and snowblower. Be thoroughly familiar with the controls and proper use of the equipment. Know how to stop the unit and disengage the controls quickly.
2. Wear adequate winter outer garments while operating equipment.
3. Make sure the snowblower is clear of snow before engaging the driveline.
4. Make sure the auger and fan operate freely.
5. Check the oil level in the worm gear box and if necessary, add SAE 80W90 gear oil, AGMA 5EP oil or equivalent.
6. Check the two shear bolts, one on the drive shaft and one on the PTO shaft for proper tightness.
7. Adjust so that the snowblower skid shoes run level.

## OPERATING CONTROLS

### Raising and Lowering Snowblower

Move the three point lever down or forward to lower, and up or rearward to raise.

### Work and Travel Speed

Working ground speed will depend on the depth and density of the snow to be cleared. Normally, ground speed will range from 4 to 7 MPH for light, dry snowfalls 3 to 6 inches, and 1 to 3 MPH for heavy, wet or drifted snow. To transport, disengage the drive shaft and raise the snowblower to full transport height.

### PTO Operation

The driveline is activated by pulling up the driveline lever on left side of seat. Push down to disengage.

## ADJUSTMENTS

 **WARNING**

**To avoid personal injury, be sure the tractor engine is off, the drive shaft disengaged, and all movement has stopped before making any adjustments.**

### Skid Shoe Adjustment

Adjust the snowblower so that the skid shoes run level. Adjust the skid shoes according to the surface conditions so that stones are not thrown with the snow, and adjust upwards for smooth surfaces. Adjust both skid shoes to the same height to keep the cutting edge level.

To adjust skid shoes, remove the pins and reinsert in the hole appropriate to the surface conditions:

#### **Clearance between cutting edge and surface:**

**.Level paved surface: Adjust to 1/16" to 1/8"**

**.Uneven or gravel surface: Adjust to 1/2" and more according to size of gravel.**

# OPERATION

## ***Chain Idler Adjustment (Figure below)***

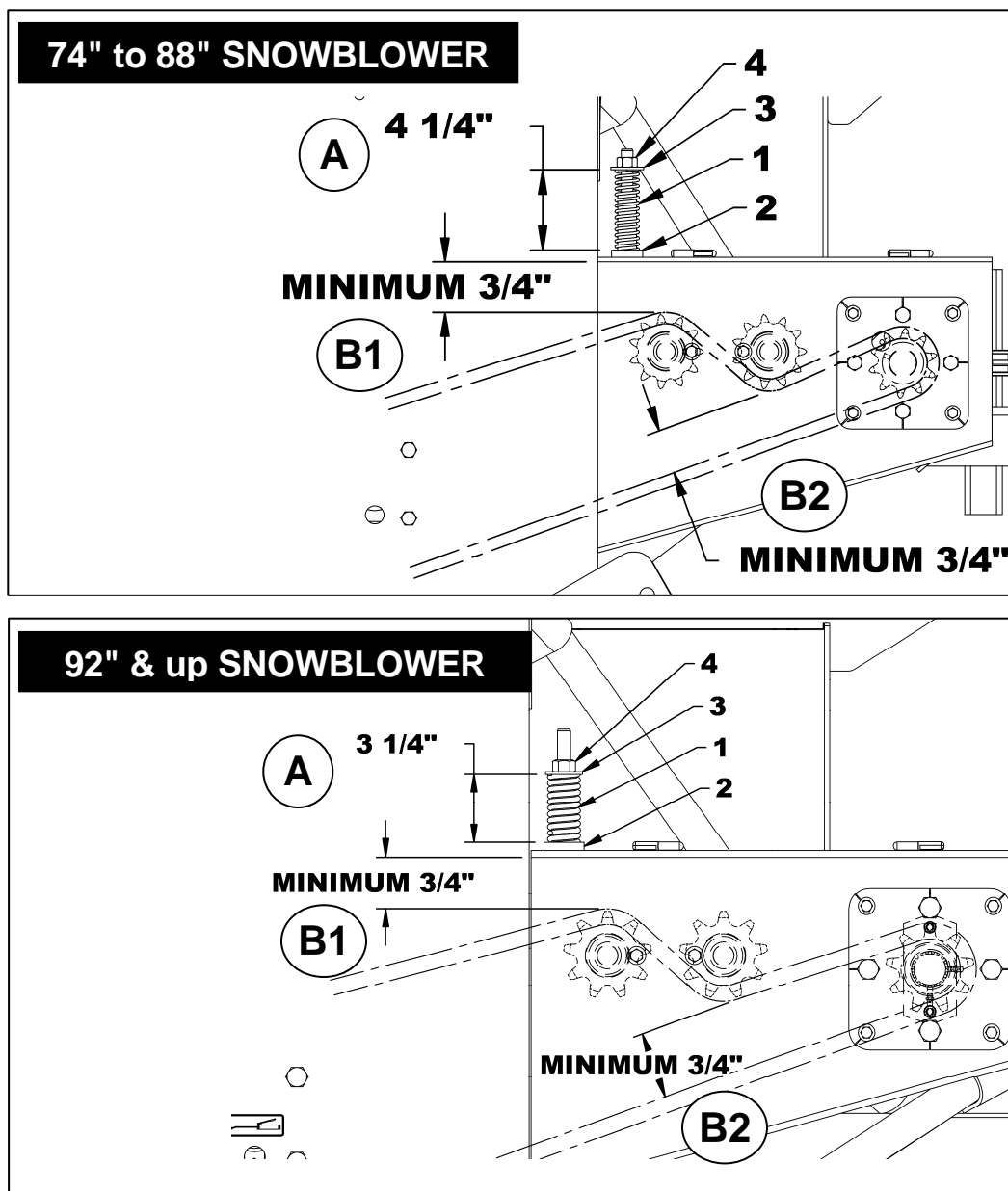
### **A - COMPRESSION SPRING:**

1. Every ten operating hours check the height of the compression spring (item 1), to have chain idler maximal efficiency.
2. Adjust the distance from the top of the welded bushing (item 2) to the bottom of the flat washer (item 3) by tightening the nut (item 4), to obtain **A**:

- 4 1/4"** for 74" to 88" snowblower  
**3 1/4"** for 92" and up snowblower

### **B - DRIVING CHAIN:**

1. At the end of the operating season, check the chain elongation by measuring the distances **B1** from top of the sprocket to underneath the side plate, and **B2** the gap between the chain, as shown on figures.
2. Those distances must be of 3/4" minimum, if not less than 3/4"; the chain is too much stretched and may caused premature wear of the sprockets. It needs to be changed.



---

# OPERATION

---

## SNOW REMOVAL METHODS

When removing snow, do not use the snowblower as a dozer blade to push snow. Let the snowblower work its way through deep drifts. If the speed of your tractor is too fast, the snowblower may become overloaded and clog. For best results, raise the snowblower and remove a top layer of snow. A second pass with the snowblower will remove the remaining snow.

**IMPORTANT** : Use full RPM power when removing wet, sticky snow. Low RPM power will tend to clog the chute.

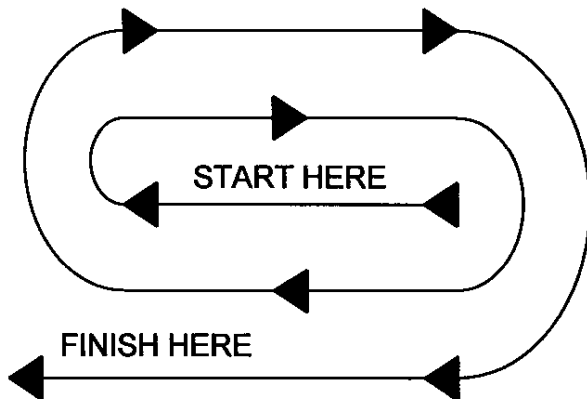


**WARNING:** Do not use hands or feet to unclog chute. Do not attempt to clear clogged chute of snow while tractor engine is running. If the chute clogs, disengage the drive shaft, shut off the tractor engine, remove the ignition key, wait for all movement to stop, and then clear the snow from the chute.

A definite pattern of operation is required to thoroughly clean the snow area. These patterns will avoid throwing snow in unwanted places as well as eliminating a second removal of snow.

### PATTERN 1

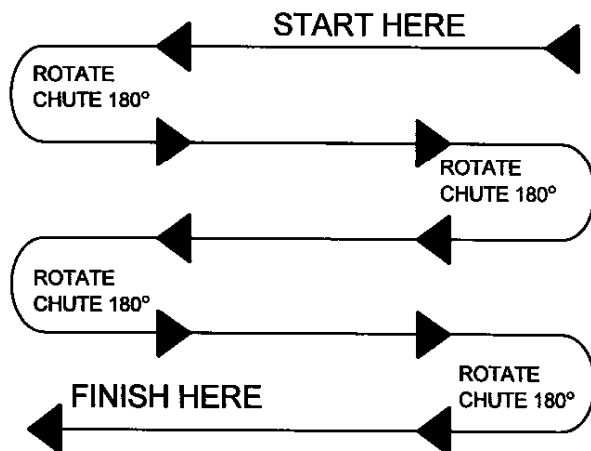
DISCHARGE SNOW BOTH SIDES



DISCHARGE SNOW BOTH SIDES

Where it is possible to throw the snow to the left and right (above), as on a long driveway, it is advantageous to start in the middle. Plow from one end to the other, throwing snow to both sides without changing the direction of the discharge guide

### PATTERN 2



DISCHARGE SNOW THIS SIDE ONLY

If the snow can only be thrown to one side of the driveway or sidewalk (above), start on the opposite side. At the end of the first pass, rotate the discharge guide 180 degrees for the return pass. At the end of each succeeding pass, rotate the discharge guide 180 degrees to maintain direction of throw in the same area.

---

# MAINTENANCE

---

## **MAINTENANCE**

### **Shearbolts**

Check the shearbolts indicated on the figure below at frequent intervals for proper tightness to be sure the blower is in safe working condition. If the shearbolts need replacement, use the following parts only:

#### **Drive Shaft:**

Serial # XFSB12X090054 & less =  
shearbolt 5/16"NC x 1 3/4" gr. 5 and nut,  
part# 5RD665547

Serial # XFSB12X100001 & up =  
shearbolt 5/16"NC x 1 1/4" gr. 2,  
lockwasher and nut, part# 5RD669345

#### **Driveline:**

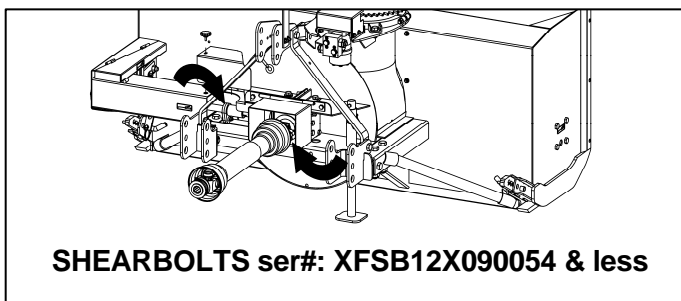
Bolt M10 x 1.50mm x 55mm long gr.8.8 PTD  
including nut. Part # 5RD657199.



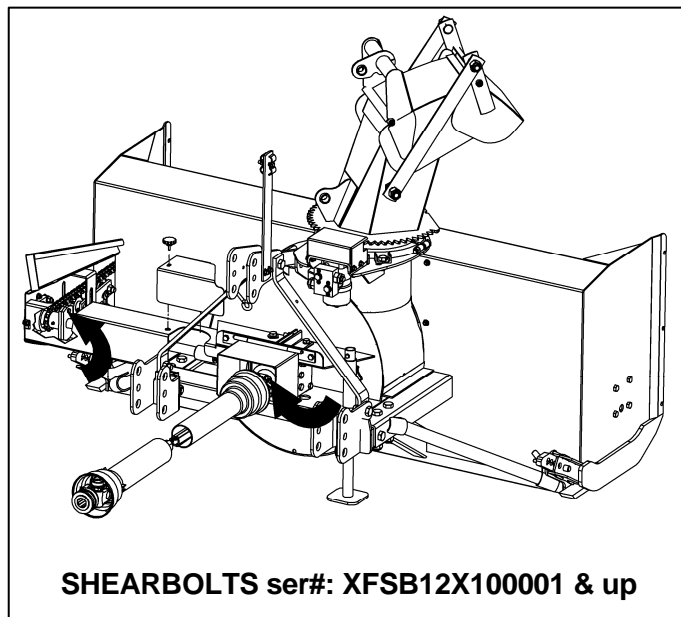
**WARNING:** Provide adequate blocking before working under the snowblower when in the raised position.

#### **Driveline**

**IMPORTANT:** When the snowblower is not used for more than two weeks, perform driveline maintenance and always store it in a dry place, away from bad weather conditions.



**SHEARBOLTS ser#: XFSB12X090054 & less**

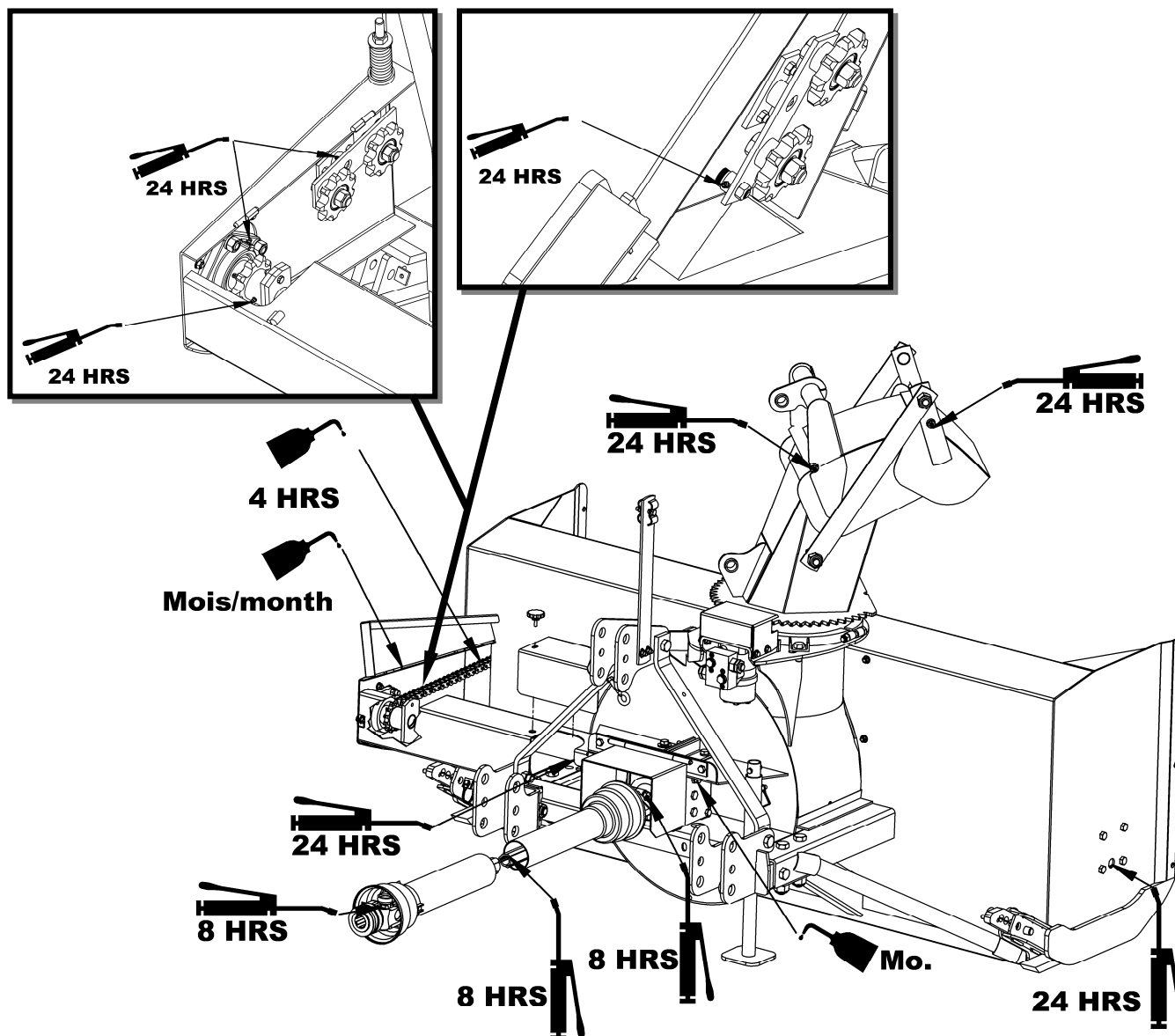


**SHEARBOLTS ser#: XFSB12X100001 & up**

# MAINTENANCE

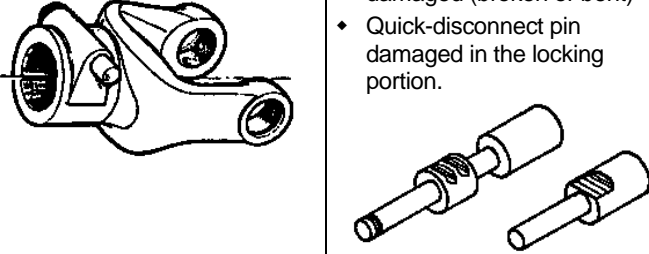
**LUBRICATION** Use oil or a grease gun and lubricate as follows :

DESCRIPTION	INTERVAL	LUBRICATION REQUIRED
Driveline	8 hours	Grease each universal joint. Separate the sliding parts and cover each one of them with grease
	16 hours	Oil the push pins
Chain	4 hours and after each operation	Lubricate with chain lube
	24 hours	Grease chain idler
Drive Shaft	24 hours of operation	Grease fitting on shear plate
Gearbox	Every month	Check oil level. If needed, add AGMA 5EP extreme pressure oil, SAE 80W90 gear oil or equivalent.
	Once a year	Replace oil
Bearing	24 hours of operation	Grease each auger bearing

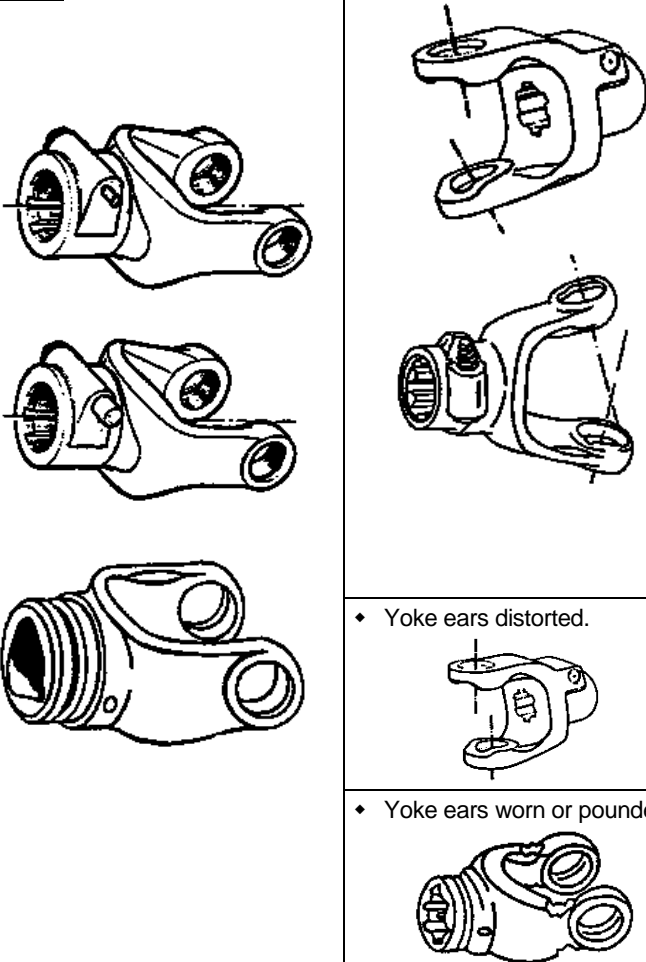


# MAINTENANCE

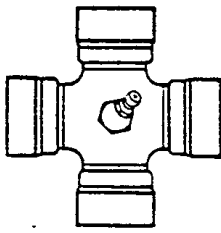
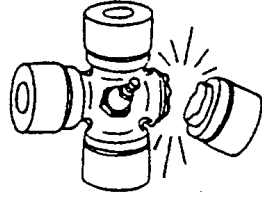
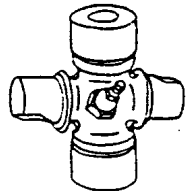
## DRIVELINE TROUBLESHOOTING

	AVOIDABLE DAMAGES	POSSIBLE CAUSES	CORRECTIVE ACTIONS
<p><u>QUICK-DISCONNECT YOKE</u></p> 	<ul style="list-style-type: none"> <li>Quick-disconnect pin tight or completely seized.</li> <li>Quick-disconnect pin damaged (broken or bent)</li> <li>Quick-disconnect pin damaged in the locking portion.</li> </ul>	<ul style="list-style-type: none"> <li>Quick-disconnect pin dirty (insufficient maintenance).</li> <li>Quick-disconnect pin defective (forced engagement, incorrect handling)</li> <li>Excessive shaft length.</li> <li>Axial loads too high.</li> </ul>	<ul style="list-style-type: none"> <li>Clean, oil and follow service instructions.</li> <li>Replace quick-disconnect pin.</li> <li>Shorten shaft length (cut both telescopic tubes as well as shield and remove burrs).</li> <li>Replace quick-disconnect pin.</li> <li>Clean and grease telescopic tubes, and replace both tubes, if necessary.</li> <li>Replace quick-disconnect pin.</li> </ul>

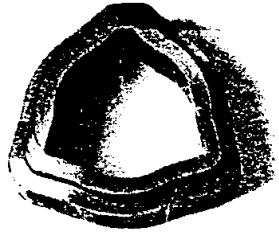
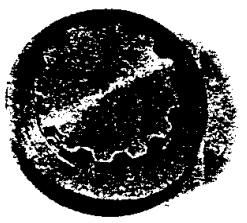
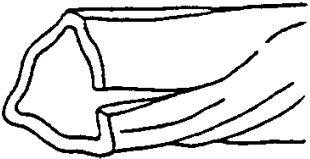

**Note: Quick-disconnect pins must be cleaned and greased every 16 hours.**

	AVOIDABLE DAMAGES	POSSIBLE CAUSES	CORRECTIVE ACTIONS
<p><u>YOKE</u></p> 	<ul style="list-style-type: none"> <li>Yoke ears deformation</li> </ul>	<ul style="list-style-type: none"> <li>Excessive shaft length.</li> <li>Axial loads too high.</li> <li>Excessive working angle and torque.</li> </ul>	<ul style="list-style-type: none"> <li>Shorten shaft length (cut both telescopic tubes as well as shields and remove burrs).</li> <li>Replace defective yokes.</li> <li>Clean and grease telescopic tubes, and replace both tubes, if necessary.</li> <li>Replace defective yokes.</li> <li>Verify compatibility between shaft and working conditions (torque vs. angle).</li> <li>Disengage tractor driveline during cornering or when lifting or lowering the implement.</li> <li>Change to a larger driveline size.</li> <li>Replace defective yokes.</li> </ul>
	<ul style="list-style-type: none"> <li>Yoke ears distorted.</li> </ul>	<ul style="list-style-type: none"> <li>Overload caused by high starting and peak torques.</li> </ul>	<ul style="list-style-type: none"> <li>Engage driveline more carefully.</li> <li>Use appropriate safety devices.</li> <li>Replace defective yokes.</li> </ul>
	<ul style="list-style-type: none"> <li>Yoke ears worn or pounded.</li> </ul>	<ul style="list-style-type: none"> <li>Excessive working angle.</li> </ul>	<ul style="list-style-type: none"> <li>Avoid excessive working angle.</li> <li>Disengage tractor driveline during cornering.</li> <li>Replace defective yokes.</li> </ul>

# MAINTENANCE

	AVOIDABLE DAMAGES	POSSIBLE CAUSES	CORRECTIVE ACTIONS
<p><u>CROSS KIT</u></p> 	<ul style="list-style-type: none"> <li>◆ Cross arms broken.</li> </ul> 	<ul style="list-style-type: none"> <li>◆ Extreme torque peak or shock load.</li> <li>◆ Axial loads too high.</li> </ul>	<ul style="list-style-type: none"> <li>◆ Use appropriate safety device.</li> <li>◆ Change to a larger driveline size.</li> <li>◆ Shorten driveline shaft.</li> <li>◆ Replace defective cross bearings.</li> </ul>
	<ul style="list-style-type: none"> <li>◆ Bearing caps turning in their cross journal.</li> <li>◆ Overheated bearing caps.</li> </ul>	<ul style="list-style-type: none"> <li>◆ Excessive continuous torque and/or excessive working angle.</li> <li>◆ Inadequate greasing.</li> </ul>	<ul style="list-style-type: none"> <li>◆ Verify compatibility between shaft and working conditions.</li> <li>◆ Carefully follow greasing instructions.</li> <li>◆ Replace defective cross bearings.</li> </ul>
	<ul style="list-style-type: none"> <li>◆ Accelerated wear of cross kit.</li> </ul> 	<ul style="list-style-type: none"> <li>◆ Excessive continuous torque and/or excessive working angle.</li> <li>◆ Inadequate greasing.</li> </ul>	<ul style="list-style-type: none"> <li>◆ Verify compatibility between shaft and working conditions.</li> <li>◆ Carefully follow greasing instructions.</li> <li>◆ Replace defective cross bearings.</li> </ul>

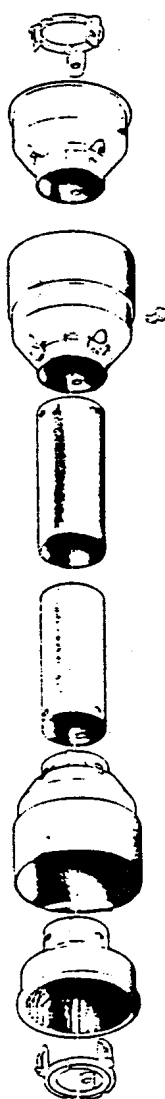
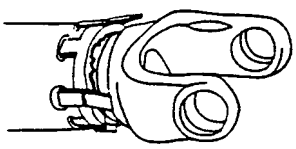
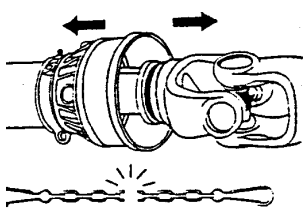
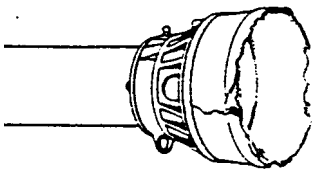
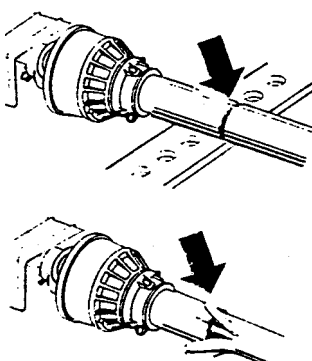
**Note: Cross bearings must be greased every 8 working hours.**

	AVOIDABLE DAMAGES	POSSIBLE CAUSES	CORRECTIVE ACTIONS
<p><u>TELESCOPIC TUBES</u></p>  	<ul style="list-style-type: none"> <li>◆ Telescopic tubes failure or twisting.</li> </ul> 	<ul style="list-style-type: none"> <li>◆ Extreme torque peak or shock load.</li> <li>◆ Short tube engagement.</li> </ul>	<ul style="list-style-type: none"> <li>◆ Use appropriate safety device.</li> <li>◆ Change to a larger driveline size.</li> <li>◆ Replace the driveline drive shaft with one having adequate length.</li> <li>◆ Replace defective tubes.</li> </ul>
	<ul style="list-style-type: none"> <li>◆ Accelerated wear of telescopic tubes.</li> </ul> 	<ul style="list-style-type: none"> <li>◆ Extreme load when sliding.</li> <li>◆ Short tube engagement.</li> <li>◆ Inadequate greasing.</li> <li>◆ Dirt</li> </ul>	<ul style="list-style-type: none"> <li>◆ Change to a driveline with rilsan coated inner tube.</li> <li>◆ Replace the driveline with one having adequate length.</li> <li>◆ Carefully follow greasing instructions.</li> <li>◆ Replace defective tubes.</li> </ul>

**Note: Telescopic tubes must be cleaned and greased every 8 working hours.**



# MAINTENANCE

SHIELD	AVOIDABLE DAMAGES	POSSIBLE CAUSES	CORRECTIVE ACTIONS
	<ul style="list-style-type: none"> <li>Excessive wear of shield bearings.</li> </ul> 	<ul style="list-style-type: none"> <li>Insufficient lubrication.</li> <li>Incorrect chain mounting.</li> <li>Shield interfering with implement.</li> </ul>	<ul style="list-style-type: none"> <li>Follow lubrication instructions.</li> <li>Mount chain to allow maximum angularity.</li> <li>Avoid contact of the shields with fixed parts of the machine or tractor.</li> <li>Replace shield bearings.</li> </ul>
	<ul style="list-style-type: none"> <li>Chain moving or failure.</li> </ul> 	<ul style="list-style-type: none"> <li>Shield interfering with implement.</li> <li>Incorrect chain mounting.</li> </ul>	<ul style="list-style-type: none"> <li>Avoid contact of the shields with fixed parts of the machine or tractor.</li> <li>Mount chain to allow maximum angularity.</li> <li>Replace defective parts.</li> </ul>
	<ul style="list-style-type: none"> <li>Shield cone damaged.</li> </ul> 	<ul style="list-style-type: none"> <li>Shield cone in contact with components on the tractor and/or implement.</li> <li>Excessive angularity.</li> </ul>	<ul style="list-style-type: none"> <li>Eliminate interference between Shield cones and any part on the tractor and/or implement.</li> <li>Avoid excessive angle during cornering or when lifting or lowering the implement.</li> <li>Replace damaged Shield cones.</li> </ul>
	<ul style="list-style-type: none"> <li>Shield tubes damaged (deformed and split at one side).</li> </ul> 	<ul style="list-style-type: none"> <li>Shields in contact with components on the tractor and/or implement.</li> <li>Shield tubes overlap too short or no overlap at all with extended driveline.</li> </ul>	<ul style="list-style-type: none"> <li>Eliminate interference between Shield cones and any part on the tractor and/or implement.</li> <li>Replace damaged tubes.</li> <li>Adjust Shield tubes length with longer tubes.</li> </ul>

**Note: Shield bearings must be greased every 8 working hours.**

---

# PARTS

---

## INTRODUCTION

All parts are illustrated in "exploded views" which show the individual parts in their normal relationship to each other. Reference numbers are used in the illustrations. These numbers correspond to those in the "Reference Number" (REF) column, and are followed by the description and quantity required.

Right Hand and Left Hand are determined by those seen by the conductor standing behind the equipment.

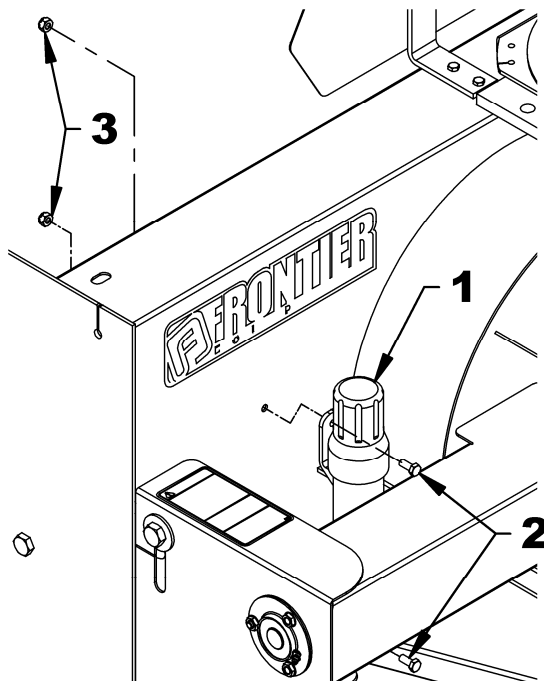
The manufacturer reserves the rights to change, modify, or eliminate from time to time, for technical or other reasons, certain or all data, specifications, or the product or products themselves, without any liability or obligation.

The parts listed here are available through your local dealer.

---

## MANUAL HOLDER – ALL MODELS

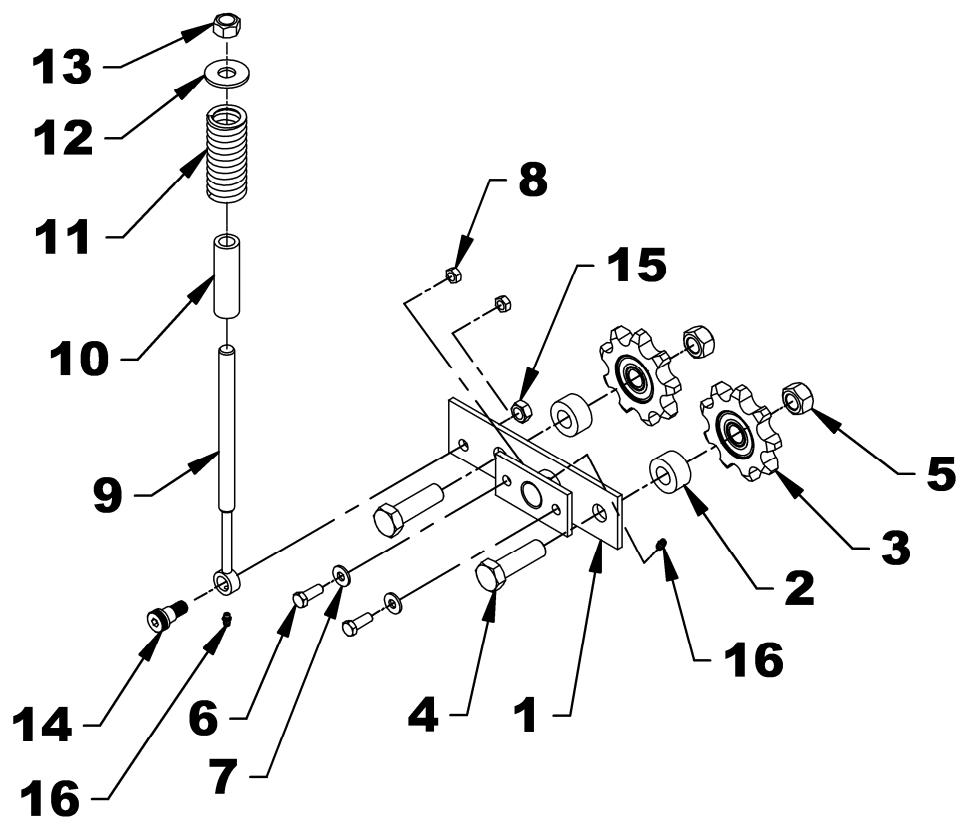
REF.	DESCRIPTION	QTY	PART #
1	Manual holder	1	5RD4200030
2	Bolt hex. 5/16" NC x 3/4" lg gr. 5, PTD	2	5RD0100018
3	Nut nylon insert 5/16" NC, PTD	2	5RD1000005



# PARTS

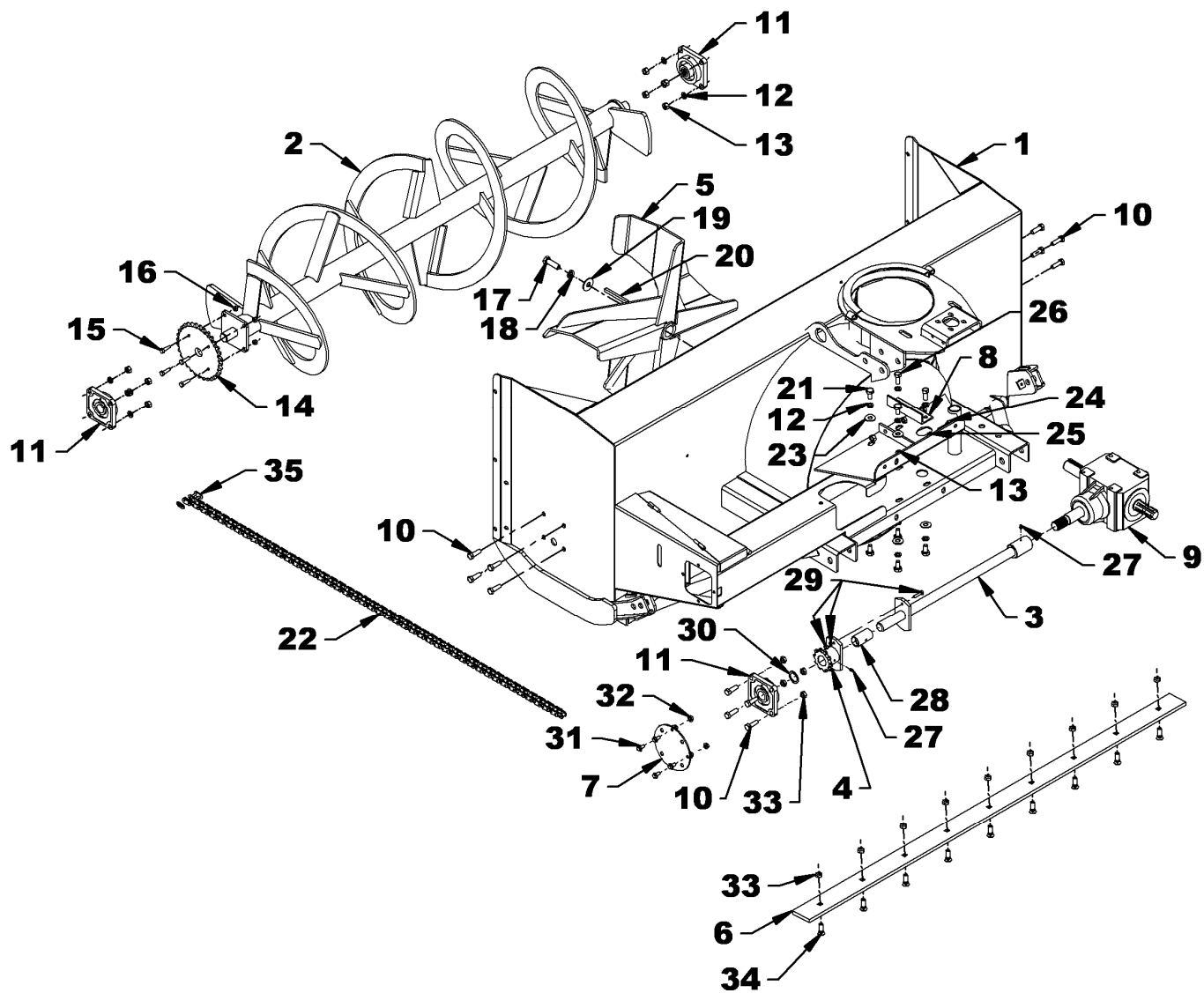
## CHAIN IDLER - SB1274 & SB1280

REF.	DESCRIPTION	QTY	PART #
1	Chain Idler	1	5RD669406
2	Idler Spacer	2	5RD669407
3	Idler sprocket 60A12	2	5RD3300022
4	Bolt hex. 5/8" NC X 2" gr.5, PTD	2	5RD0100095
5	Stover nut 5/8", PTD	2	5RD1100007
6	Bolt hex. 3/8" NC X 1" gr.5, PTD	2	5RD0100038
7	Flat washer 5/16" (3/8" hole), PTD	2	5RD1400003
8	Stover nut 3/8", PTD	2	5RD1100003
9	Idler Lever	1	5RD669401
10	Spring guide PTD	1	5RD669396
11	Compression spring	1	5RD664876
12	Flat washer 5/8" (11/16" hole), PTD	2	5RD1400008
13	Nylon insert locknut 5/8", PTD	1	5RD1000012
14	Shoulder screw 5/8" x 1/2" lg x 1/2	1	5RD3200023
15	Stover nut 1/2", PTD	1	5RD1100006
16	Grease fitting 1/4" NF	1	5RD654106



# PARTS

## SNOWBLOWERS SB1274 & SB1280 - PART 1



# PARTS

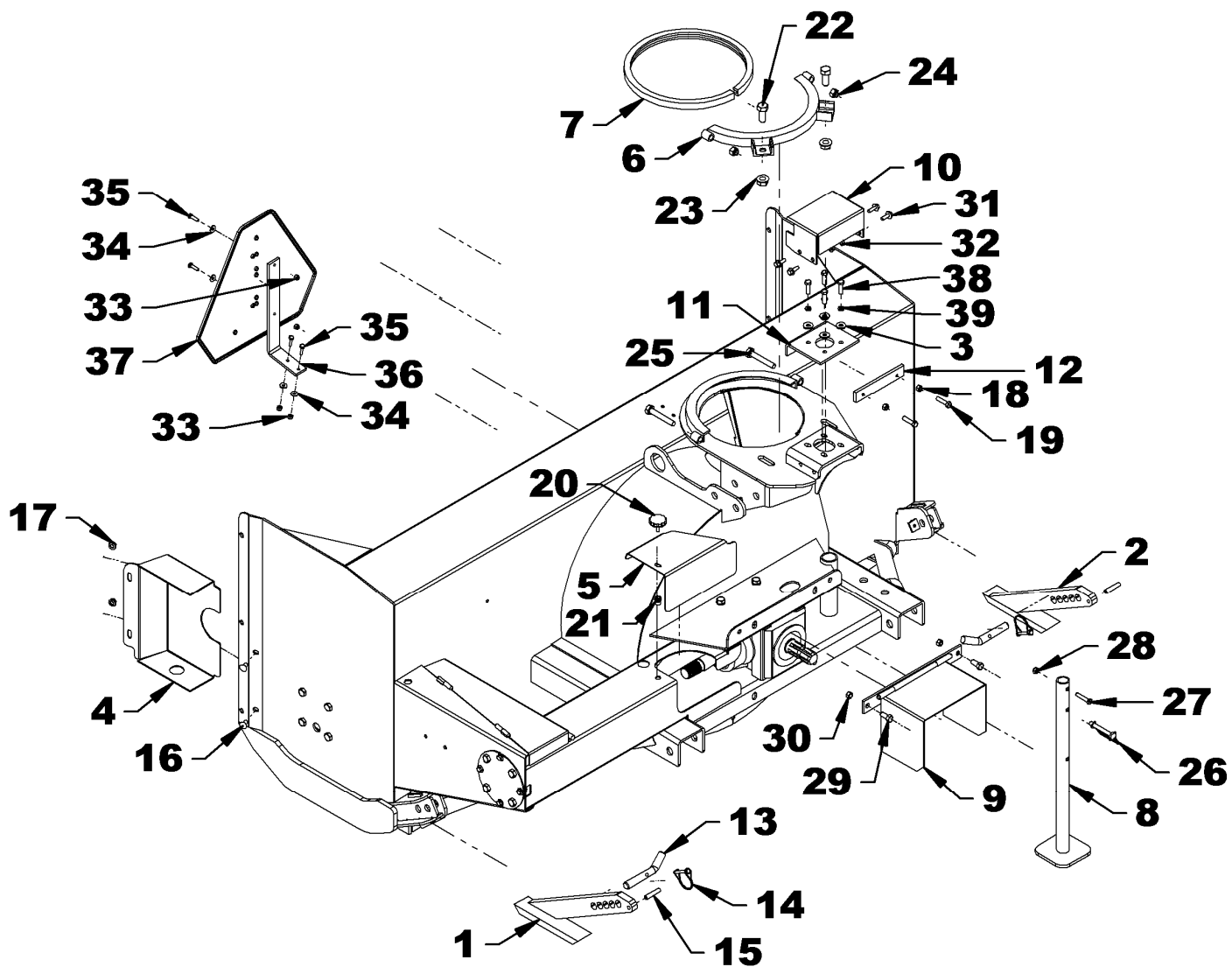
## SNOWBLOWERS SB1274 & SB1280 - PART 1

### - XFSB12X100001 & UP

REF. DESCRIPTION	SB1274		SB1280	
	QTE	# DE PIECE	QTE	# DE PIECE
1 Housing	---	---	---	---
2 Auger	1	5RD669004	1	5RD669007
3 Driving shaft	1	5RD669346	1	5RD669347
4 Shear plate	1	5RD669344	1	5RD669344
5 Fan	1	5RD669014	1	5RD669014
6 Cutting edge	1	5RD669012	1	5RD669013
7 Driving shaft support	1	5RD669356	1	5RD669356
8 Gearbox idler	1	5RD669032	1	5RD669032
9 Gearbox	1	5RD662195	1	5RD662195
10 Bolt, hex. $\varnothing$ 1/2"NC x 1 1/2", gr.5, PTD	12	5RD0100070	12	5RD0100070
11 Bearing $\varnothing$ 1 1/4", 4 holes with 2 grease fittings	3	5RD4300001	3	5RD4300001
12 Lockwasher $\varnothing$ 1/2" PTD	16	5RD1200006	16	5RD1200006
13 Nut, hex 1/2"NC PTD	10	5RD0900006	10	5RD0900006
14 Sprocket #60A32, $\varnothing$ 1 1/4" hole	1	5RD654167	1	5RD654167
15 Bolt, hex. $\varnothing$ 3/8"NC X 1 1/4" gr.5, PTD	4	5RD0100039	4	5RD0100039
16 Stover nut $\varnothing$ 3/8" NC PTD	4	5RD1100003	4	5RD1100003
17 Bolt, hex. 5/8"NC X 2", gr.5, PTD	1	5RD0100095	1	5RD0100095
18 Lockwasher $\varnothing$ 5/8" PTD	1	5RD1200007	1	5RD1200007
19 Flat washer 5/8" ( $\varnothing$ 11/16" int.) PTD	1	5RD1400008	1	5RD1400008
20 Key 3/8" X 3/8" X 4" lg.	1	5RD4500075	1	5RD4500075
21 Bolt, hex. 1/2"NC x 1" gr.5, PTD.	6	5RD0100068	6	5RD0100068
22 Chain #60H X 94 links (inc. connecting link.)	1	5RD655788	1	5RD655788
23 Flat washer 1/2" ( $\varnothing$ 9/16" int.) PTD	6	5RD1400006	6	5RD1400006
24 Bolt, hex. 1/2"NC x 1 3/4" lg gr.5, PTD	2	5RD0100071	2	5RD0100071
25 Nut, jam hex. $\varnothing$ 1/2"NC PTD.	2	5RD0900038	2	5RD0900038
26 Bolt, hex. $\varnothing$ 1/2"NC x 1 1/4" gr.5, PTD	2	5RD0100069	2	5RD0100069
27 Grease fitting 1/4"NF	2	5RD654106	2	5RD654106
28 Oilite bushing	1	5RD4300072	1	5RD4300072
29 Shearbolt 5/16"NC X 1 1/4"lg gr.2, inc. lock.& nut PTD	1	5RD669345	1	5RD669345
30 Spacer ring 1/8" lg	1	5RD669256	1	5RD669256
31 Bolt, hex. serrated flange 3/8" NC X 3/4" lg PTD.	4	5RD0200066	4	5RD0200066
32 Nut, serrated flange $\varnothing$ 3/8"NC PTD	4	5RD0900035	4	5RD0900035
33 Nut, Stover $\varnothing$ 1/2" NC PTD	13	5RD1100006	15	5RD1100006
34 Bolt, plow 1/2"NC x 1 1/2" gr.5, PTD	9	5RD0400006	11	5RD0400006
35 Connecting link #60	1	5RD654839	1	5RD654839

# PARTS

## SNOWBLOWERS SB1274 & SB1280 - PART 2



# PARTS

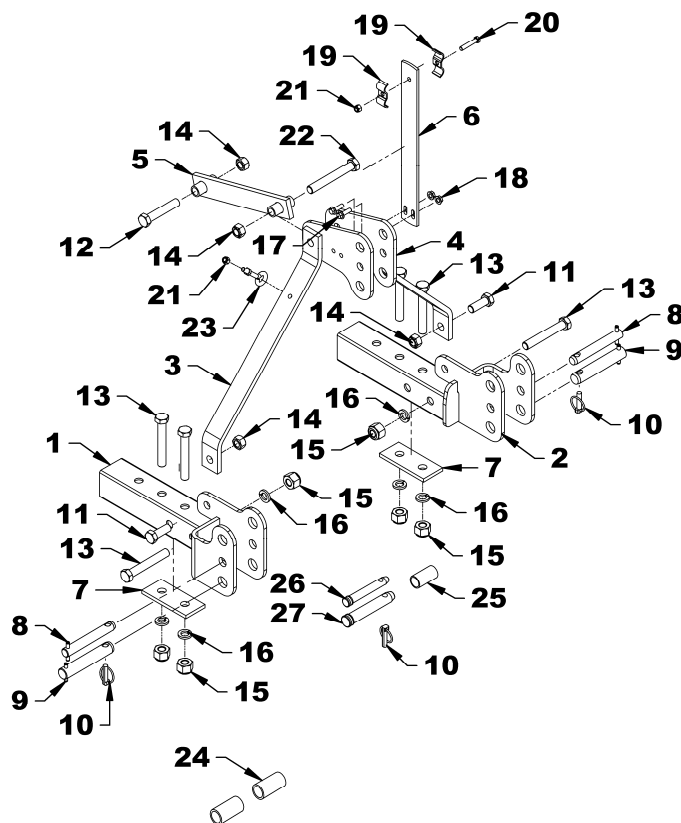
## SNOWBLOWERS SB1274 & SB1280 - PART 2

REF.	DESCRIPTION	SB1274		SB1280	
		QTY	PART #	QTY	PART #
1	Skid shoe - LH	1	5RD669020	1	5RD669020
2	Skid shoe - RH	1	5RD669021	1	5RD669021
3	Flat washer 3/8" (Ø 7/16" int.) PTD	4	5RD1400004	4	5RD1400004
4	Chain guard	1	5RD669024	1	5RD669024
5	Rear guard	1	5RD669026	1	5RD669026
6	Retaining plate	1	5RD669030	1	5RD669030
7	Rotation bushing 5/8" x 3/4"	1	5RD669042	1	5RD669042
8	Parking stand	1	5RD668091	1	5RD668091
9	Driveline shield	1	5RD663675	1	5RD663675
10	Gear shield	1	5RD667929	1	5RD667929
11	Anchoring plate	1	5RD667338	1	5RD667338
12	Anchoring flat bar	1	5RD667339	1	5RD667339
13	Pin 3/4" x 3 13/16" lg. bent, PTD	2	5RD667899	2	5RD667899
14	Wire lock pin 1/4" X 1 3/4" round	2	5RD1900006	2	5RD1900006
15	Spring pin ø3/8" X 2" lg., black	2	5RD1600024	2	5RD1600024
16	Bolt, carriage 3/8" NC x 3/4" lg, PTD	2	5RD0300007	6	5RD0300007
17	Nut, serrated flange. ø3/8"NC PTD	2	5RD0900035	6	5RD0900035
18	Nut, hex. ø3/8"NC PTD.	2	5RD0900003	2	5RD0900003
19	Bolt, hex. ø3/8"NC x 1 1/2" gr. 5 PTD	2	5RD0100040	2	5RD0100040
20	Knob 5/16"NC	1	5RD661832	1	5RD661832
21	Nut, knurled Ø5/16 NC X .690 lg	1	5RD2401012	1	5RD2401012
22	Bolt hex. ø5/8"NC x 1 1/2", gr. 5 PTD	2	5RD0100093	2	5RD0100093
23	Nut, serrated flange ø5/8"NC PTD	2	5RD0900073	2	5RD0900073
24	Nut, nylon insert ø1/2" NC, PTD	2	5RD1000011	2	5RD1000011
25	Bolt hex. 1/2"NC x 3 1/4", Gr.5, PTD	2	5RD0100078	2	5RD0100078
26	Wire lock pin 3/8" X 2 1/2", square	1	5RD1900008	1	5RD1900008
27	Bolt hex. 5/16" NC X 1 3/4" lg PTD	1	5RD0100022	1	5RD0100022
28	Nut, nylon insert ø5/16"NC PTD	1	5RD1000005	1	5RD1000005
29	Bolt, hex. ø7/16"NC x 1", gr. 5 PTD	2	5RD0100056	2	5RD0100056
30	Nut, nylon insert 7/16"NC, PTD	2	5RD1000009	2	5RD1000009
31	Bolt, serrated flange ø5/16"NC x 1" lg PTD	4	5RD0200091	4	5RD0200091
32	Nut, serrated flange ø5/16"NC PTD	4	5RD0900036	4	5RD0900036
33	Nut, nylon insert 1/4"NC, PTD	4	5RD1000003	4	5RD1000003
34	Flat washer 1/4", PTD	4	5RD1400002	4	5RD1400002
35	Bolt, hex. 1/4"NC x 1", gr. 5, PTD	4	5RD0100004	4	5RD0100004
36	S.M.V. sign support	1	5RD669064	1	5RD669064
37	S.M.V. reflective sign	1	5RD4200029	1	5RD4200029
38	Bolt hex. ø3/8"NC X 1 1/4" gr. 5 PTD	4	5RD0100039	4	5RD0100039
39	Lockwasher3/8", PTD.	4	5RD1200004	4	5RD1200004

# PARTS

## THREE POINT HITCH

REF.	DESCRIPTION	QTY	PART#
1	Lower hitch - LH Cat. 1 & 2	1	5RD669015
2	Lower hitch - RH Cat. 1 & 2	1	5RD669016
3	Hitch - LH	1	5RD669018
4	Hitch - RH	1	5RD669017
5	Upper hitch	1	5RD669019
6	Hose support	1	5RD669031
7	Reinforcement plate	2	5RD668117
8	Pin Cat. 1	2	5RD4600043
9	Pin Cat. 2	2	5RD4600042
10	Linchpin 7/16" PTD	3	5RD1900003
11	Bolt, hex. 3/4"NC x 2", gr.5, PTD	2	5RD100117
12	Bolt, hex. 3/4"NC x 4", gr. 5, PTD	1	5RD0100124
13	Bolt, hex. 3/4"NC x 5", gr. 5 PTD	6	5RD0100126
14	Nut, Stover 3/4"NC PTD	4	5RD1100008
15	Nut, nylon insert ø3/4"NC PTD	6	5RD1000013
16	Lockwasher ø3/4" PTD	6	5RD1200008
17	Bolt, serrated flange 3/8"NC x 1 1/4" lg. PTD.	2	5RD0200079
18	Nut, serrated flange. Ø3/8"nc PTD	2	5RD0900035
19	Hose clamp, double	2	5RD666583
20	Bolt, hex. 3/8"NC x 2", gr.5 PTD	1	5RD0100042
21	Nut, nylon insert ø3/8"NC PTD	2	5RD1000006
22	Bolt, hex. 3/4"NC x 5 1/2", gr.5, PTD	1	5RD0100127
23	Eyebolt 3/8"NC x 4" PTD	1	5RD0400027
24	Lower bushing ø1 1/2" ext. x 2 7/8" lg PTD	2	5RD668608
25	Upper bushing ø 1 1/4 Ø ext. x 2 3/8" lg PTD	1	5RD668607
26	Pin 3/4" x 5 7/16" lg Cat.1 PTD	1	5RD4600051
27	Pin 1" x 6 1/16" lg Cat.2 PTD	1	5RD4600052

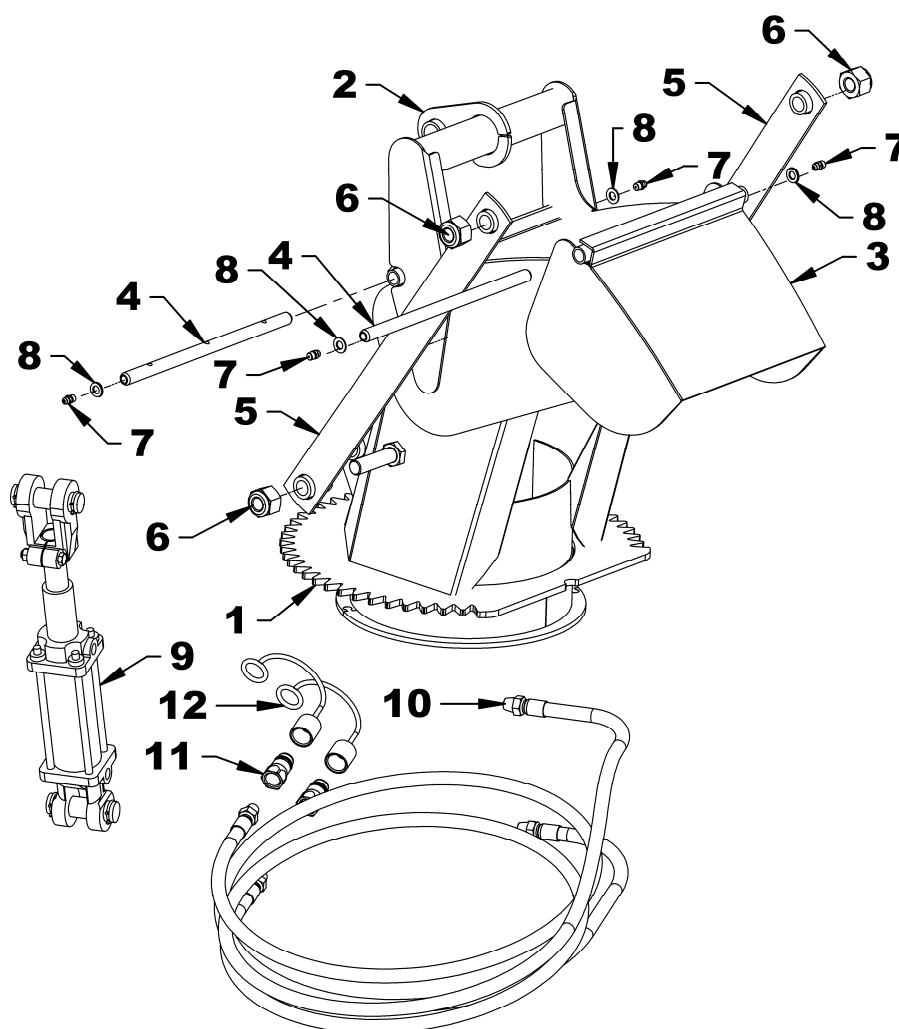




# PARTS

## THREE PART CHUTE - 5RDF0024

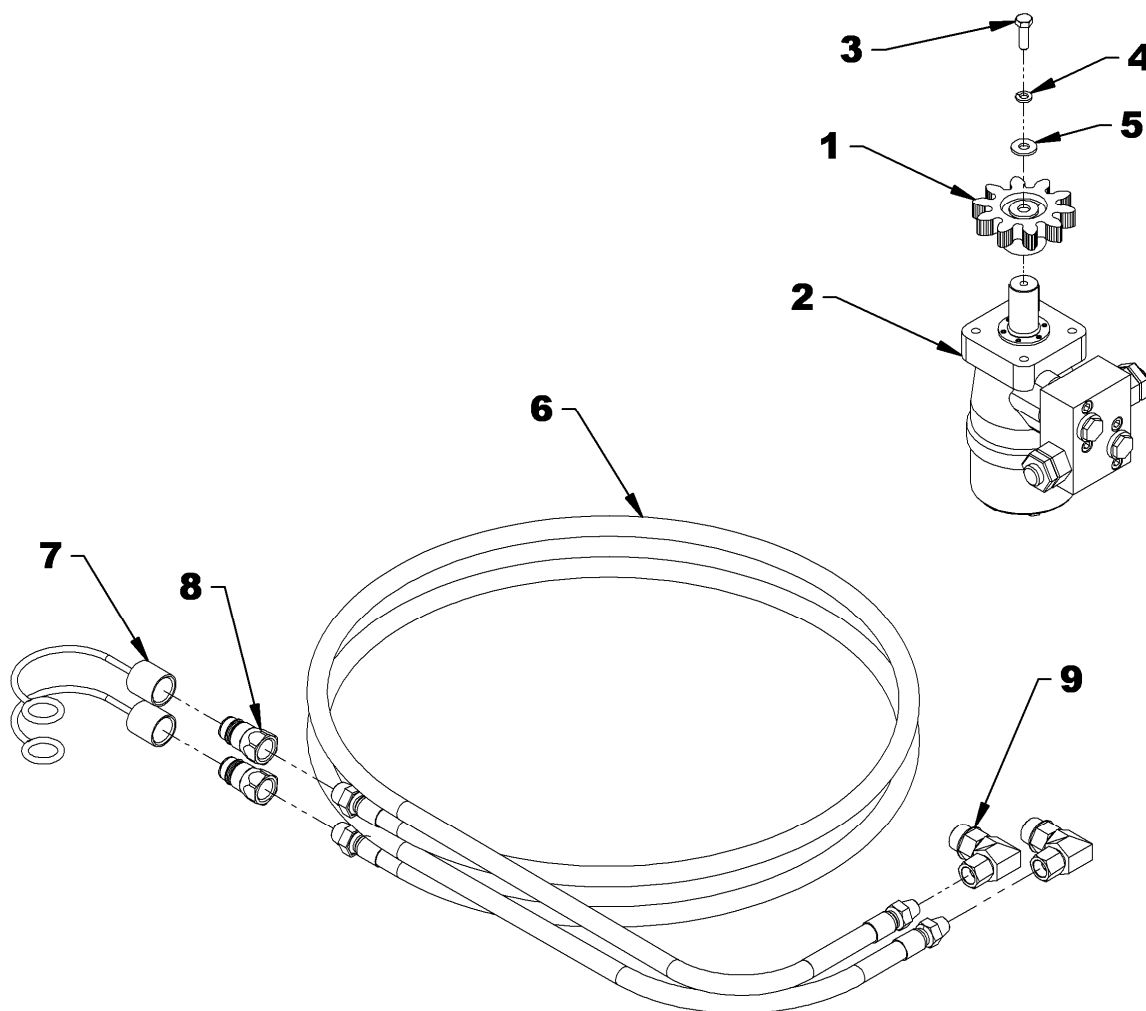
REF.	DESCRIPTION	QTY	PART #
1	Chute base	1	5RD669036
2	Middle deflector	1	5RD669037
3	Upper deflector	1	5RD669038
4	Hinge pin	2	5RD669039
5	Flat bar	2	5RD669040
6	Nut, nylon insert $\varnothing 3/4$ " PQE	4	5RD1000013
7	Flat washer 10mm PTD	4	5RD1400019
8	Grease fitting 1/8" NPT straight	4	5RD656493
9	Cylinder 2" x 4"	1	5RD3900447
	Seal kit	1	5RD3900205
10	Hose 3/8" x 108", 3/8" NPT male x 1/2" NPT male	2	5RD3700145
11	Quick coupler 1/2" NPT male	2	5RD656480
12	Dust cap	2	5RD664898



# PARTS

## HYDRAULIC CHUTE ROTATION

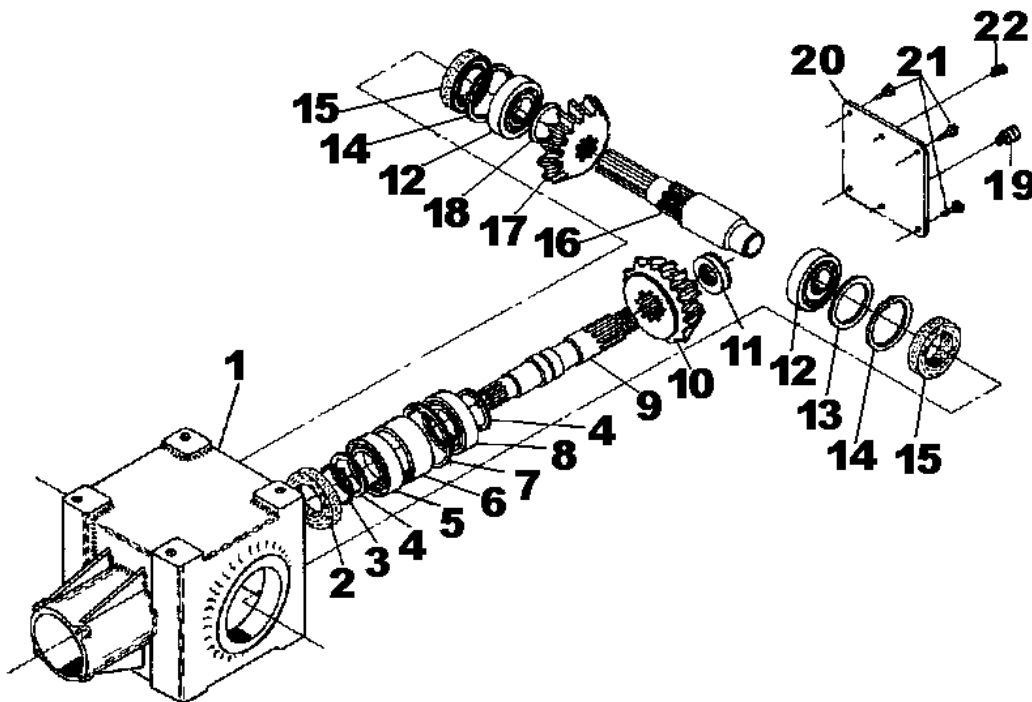
REF.	DESCRIPTION	QTY	PART #
1	Motor gear	1	5RD665930
2	Hydraulic motor	1	5RD3910012
	- Seal kit, relief valve o-rings incl.		5RD3910013
	- Key 1/4"x 1/4"x 3/4"lg (not illustrated)	1	5RD654686
3	Bolt M8 x 1.25 x 25 mm lg, PTD	1	5RD0200007
4	Lockwasher 5/16", PTD	1	5RD1200003
5	Flat washer 5/16" (3/8" hole), PTD	1	5RD1400003
6	Hose 3/8" x 82" lg 3/8" NPT RM x 1/2" NPT RM	2	5RD3700142
7	Dust cap	2	5RD664898
8	Quick coupler 1/2" NPT male	2	5RD656480
9	Elbow 90° - 7/8-14 ORB male x 3/8-18 NPT SWF	2	5RD2600185



# PARTS

## WORM GEAR BOX – 5RD662195

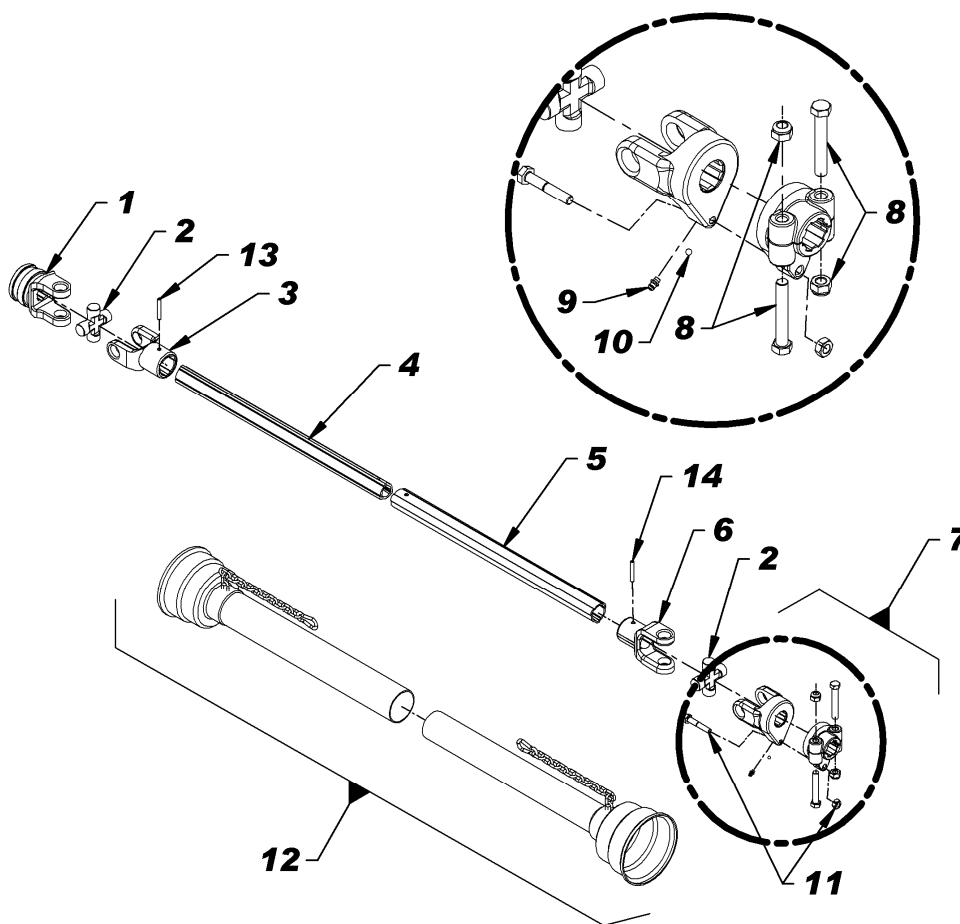
REF.	DESCRIPTION	QTY	PART #
1	Casing	1	5RD656640
2	Seal kit 35 x 72 x 10	1	5RD659845
3	External retaining ring	1	5RD656652
4	Spacer	2	5RD656649
5	Bearing flange	1	5RD659844
6	Spacer	1	5RD656648
7	Internal retaining ring	1	5RD656654
8	Bearing flange	1	5RD656647
9	Shaft	1	5RD656651
10	Gear	1	5RD656645
11	External retaining ring	1	5RD656646
12	Bearing flange	2	5RD656641
13	Spacer	1	5RD656644
14	Internal retaining ring	2	5RD656642
15	Seal kit 40 x 80 x 12	2	5RD656643
16	Shaft	1	5RD662212
17	Gear	1	5RD656657
18	Spacer	1	5RD661146
19	Plug	1	5RD656662
20	Cover	1	5RD656660
21	Bolt hex. M10 x 14 gr.8.8	4	5RD656659
22	Plug 3/8" NPT	2	5RD655259



# PARTS

## DRIVELINE 5RD662194

REF.	DESCRIPTION	QTY.	PART #
1	Push pin yoke assembly	1	5RD657209
2	Journal cross	2	5RD657200
3	Outer yoke	1	5RD663119
4	Outer tube	1	5RD663123
5	Inner tube	1	5RD663124
6	Inner yoke	1	5RD663126
7	Yoke and hub assembly	1	5RD662198
8	Bolt and nut	2	5RD662199
9	Grease fitting	1	5RD663129
10	Ball Ø14"	23	5RD663163
11	Shear bolt M10 x 1.5 x 55mm gr. 8.8 PTD and nut	1	5RD657199
12	Shields with safety chain	1	5RD657221
13	Pin for male tube	1	5RD663125
14	Pin for female tube	1	5RD663120










# TORQUE SPECIFICATION TABLE




## GENERAL SPECIFICATION TABLE

Use the following torques when special torques are not given

**NOTE:** These values apply to fasteners as received from supplier, dry, or when lubricated with normal engine oil. They do not apply if special graphited or moly disulphide greases or other extreme pressure lubricants are used. This applies to both UNF and UNC threads.

SEE Grade No.		2				5				8			
BOLT HEAD IDENTIFICATION MARKS AS PER GRADE NOTE: MANUFACTURING MARKS WILL VARY.						  				  			
		Torque		Torque		Torque		Torque		Torque		Torque	
BOLT SIZES		Pounds-Foot		Newtons-Meter		Pounds-Foot		Newtons-Meter		Pounds-Foot		Newtons-Meter	
Inches	Millimeters	MIN.	MAX.	MIN.	MAX.	MIN.	MAX.	MIN.	MAX.	MIN.	MAX.	MIN.	MAX.
1/4	6.35	5	6	6.8	8.13	9	11.0	12.2	14.9	12	15	16.3	30.3
5/16	7.94	10	12	13.6	16.3	17	20.5	23.1	27.8	24	29	32.5	39.3
3/8	9.53	20	23	27.1	31.2	35	42.0	47.5	57.0	45	54	61.0	73.2
7/16	11.11	25	30	40.7	47.4	54	64.0	73.2	86.8	70	84	94.9	113.9
1/2	12.70	45	52	61.0	70.5	80	96.0	108.5	130.2	110	132	149.2	179.0
9/16	14.29	65	75	88.1	101.6	110	132.0	149.2	179.0	160	192	217.0	260.4
5/8	15.88	95	105	128.7	142.3	150	180	203.4	244.1	220	264	298.3	358.0
3/4	19.05	150	185	203.3	250.7	270	324	366.1	439.3	380	456	515.3	618.3
7/8	22.23	160	200	216.8	271.0	400	480	542.4	650.9	600	720	813.6	976.3
1	25.40	250	300	338.8	406.5	580	696	786.5	943.8	900	1080	1220.4	1464.5
1 1/8	25.58	-	-	-	-	800	880	1084.8	1193.3	1280	1440	1735.7	1952.6
1 1/4	31.75	-	-	-	-	1120	1240	1518.7	1681.4	1820	2000	2467.9	2712.0
1 3/8	34.93	-	-	-	-	1460	1680	1979.8	2278.1	2380	2720	3227.3	3688.3
1 1/2	38.10	-	-	-	-	1940	2200	2630.6	2983.2	3160	3560	4285.0	4827.4

## METRIC BOLT TORQUE SPECIFICATIONS

Size of screw	Grade No.	Pitch mm	Coarse thread				Fine Thread				
			Pounds-Foot		Newtons-Meter		Pitch mm	Pounds-Foot		Newtons-Meter	
			MIN.	MAX.	MIN.	MAX.		MIN.	MAX.	MIN.	MAX.
M6	4T 	1.0	3.6	5.8	4.9	7.9	-	-	-	-	
	7T 		5.8	9.4	7.9	12.7	-	-	-	-	
	8T 		7.2	10	9.8	13.6	-	-	-	-	
M8	4T	1.25	7.2	14	9.8	19.0	1.0	12	17	16.3	23.0
	7T		17	22	23	29.8		19	27	25.7	36.6
	8T		20	26	27.1	35.2		22	31	29.8	42
M10	4T	1.5	20	25	27.1	33.9	1.25	20	29	27.1	39.3
	7T		34	40	46.1	54.2		35	47	47.4	63.7
	8T		38	46	51.5	62.3		40	52	54.2	70.5
M12	4T	1.75	28	34	37.9	46.1	1.25	31	41	42	55.6
	7T		51	59	69.1	79.9		56	68	75.9	92.1
	8T		57	66	77.2	89.4		62	75	84	101.6
M14	4T	2.0	49	56	66.4	75.9	1.5	52	64	70.5	86.7
	7T		81	93	109.8	126		90	106	122	143.6
	8T		96	109	130.1	147.7		107	124	145	168
M16	4T	2.0	67	77	90.8	104.3	1.5	69	83	93.5	112.5
	7T		116	130	157.2	176.2		120	138	162.6	187
	8T		129	145	174.8	196.5		140	158	189.7	214.1
M18	4T	2.0	88	100	119.2	136	1.5	100	117	136	158.5
	7T		150	168	203.3	227.6		177	199	239.8	269.6
	8T		175	194	237.1	262.9		202	231	273.7	313
M20	4T	2.5	108	130	146.3	176.2	1.5	132	150	178.9	203.3
	7T		186	205	252	277.8		206	242	279.1	327.9
	8T		213	249	288.6	337.4		246	289	333.3	391.6





**PART NO.  
5RDSB1274A**



All Rights Reserved



## Free Manuals Download Website

<http://myh66.com>

<http://usermanuals.us>

<http://www.somanuals.com>

<http://www.4manuals.cc>

<http://www.manual-lib.com>

<http://www.404manual.com>

<http://www.luxmanual.com>

<http://aubethermostatmanual.com>

Golf course search by state

<http://golfingnear.com>

Email search by domain

<http://emailbydomain.com>

Auto manuals search

<http://auto.somanuals.com>

TV manuals search

<http://tv.somanuals.com>