



Kenwood Limited, New Lane, Havant, Hampshire PO9 2NH, UK
www.kenwoodworld.com

57660/1

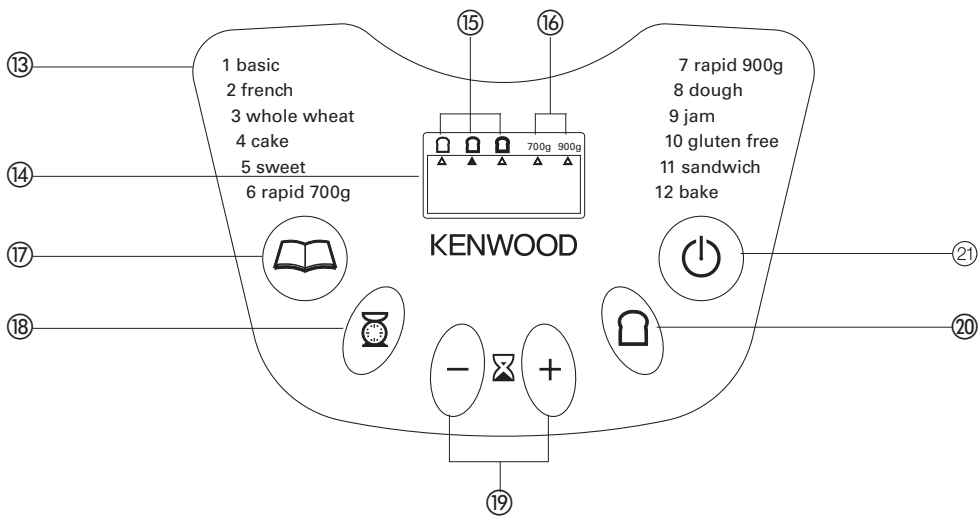
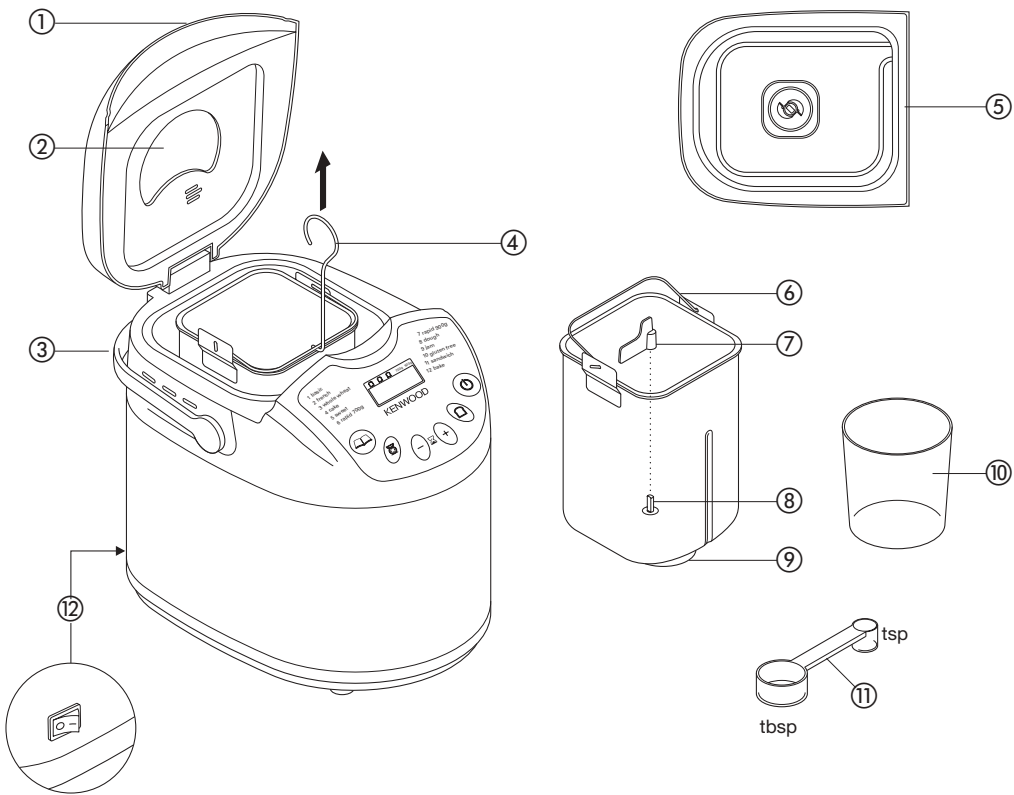
KENWOOD

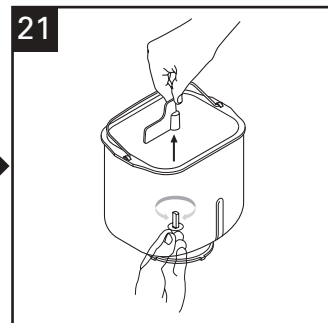
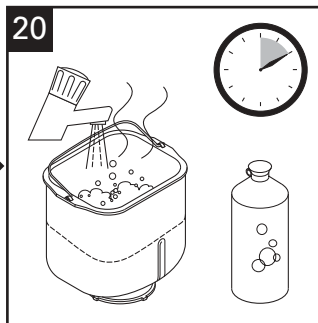
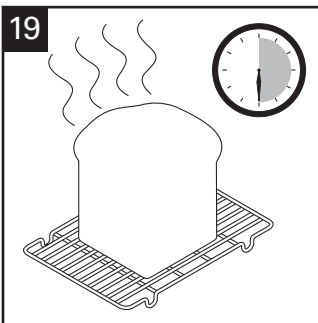
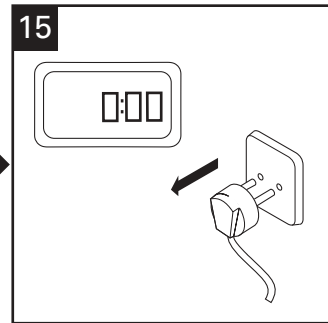
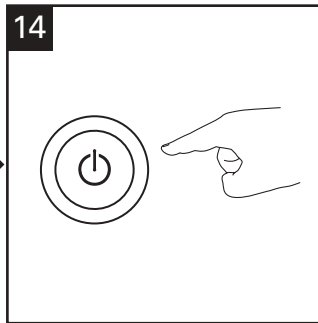
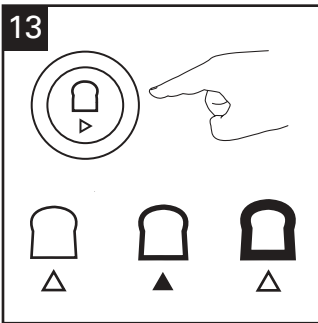
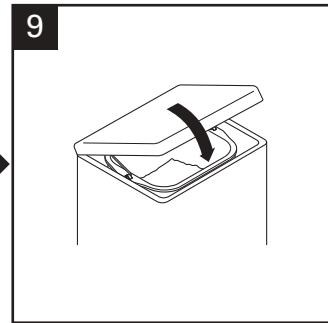
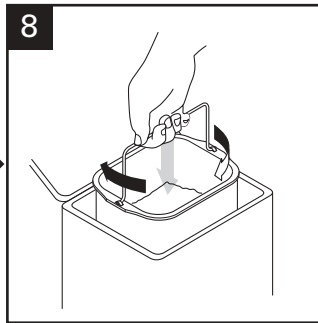
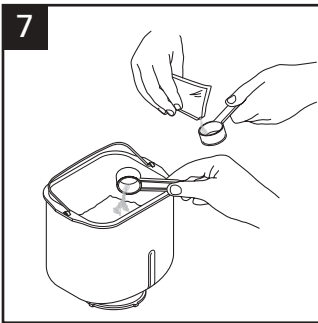
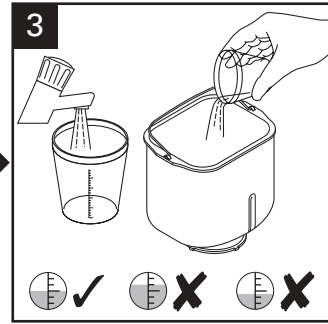
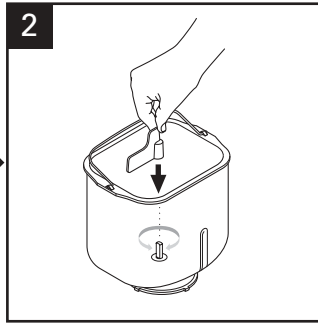
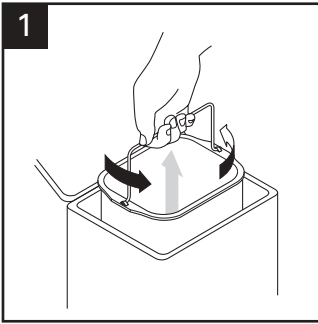
Rapid▷▷bake

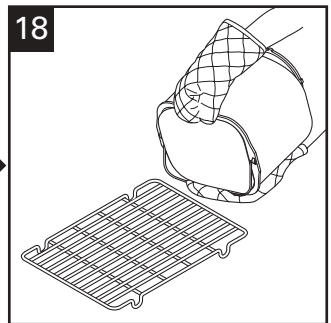
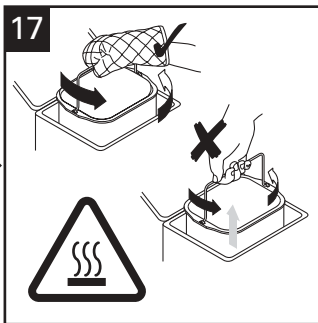
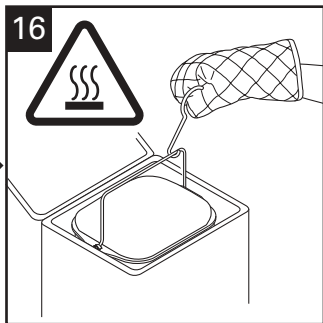
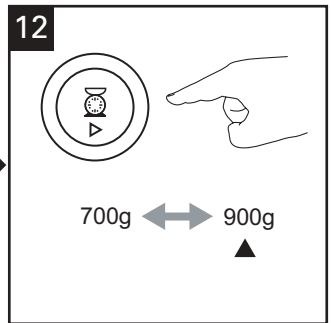
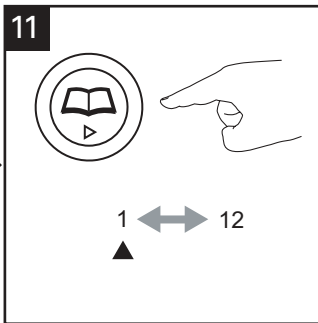
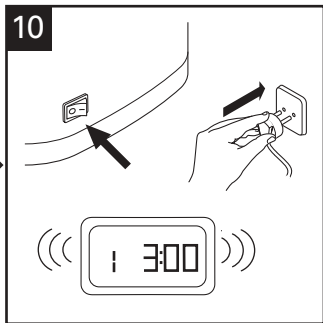
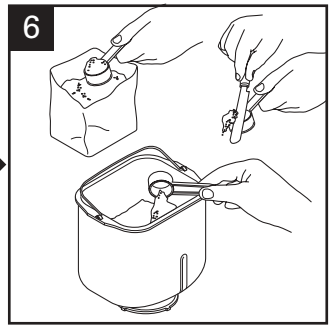
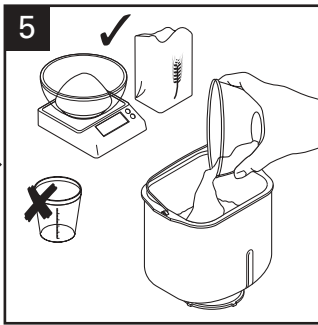
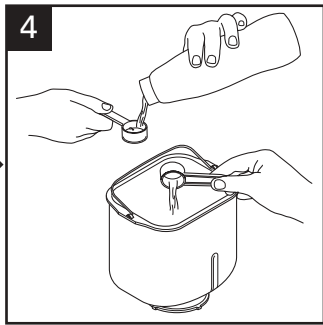


BM210

English	2 - 9
Nederlands	10 - 18
French	19 - 28
Deutsch	29 - 37
Italiano	38 - 46
Danish	47 - 54
Svenska	55 - 63
Norsk	64 - 71
Suomi	72 - 79







English

before using your Kenwood appliance

- Read these instructions carefully and retain for future reference.
- Remove all packaging and any labels, including the cardboard support inside the baking chamber.

safety

- Do not touch hot surfaces. Accessible surfaces are liable to get hot during use. Always use oven gloves to remove the hot bread pan.
- To prevent spillages inside the oven chamber, always remove the bread pan from the machine before adding the ingredients. Ingredients that splash onto the heating element can burn and cause smoke.
- Do not use this appliance if there is any visible sign of damage to the supply cord or if it has been accidentally dropped.
- Do not immerse this appliance, the supply cord or the plug in water or any other liquid.
- Always unplug this appliance after use, before fitting or removing parts or before cleaning.
- Do not let the electrical supply cord hang over the edge of a work surface or allow it to touch hot surfaces such as a gas or electric hob.
- This appliance should only be used on a flat heat resistant surface.
- Do not place your hand inside the oven chamber after the bread pan has been removed as it will be very hot.
- Do not touch moving parts within the Bread Maker.
- Do not exceed the maximum capacities stated as this could result in over-loading the Bread Maker.
- Do not place the Bread Maker in direct sun light, near hot appliances or in a draught. All these things can affect the internal temperature of the oven, which could spoil the results.
- In the unfortunate event of a power cut occurring after the ingredients have been partly processed, you will have to start again.
- Do not use this appliance outdoors.
- Do not operate the Bread Maker when it is empty as this could cause it serious damage.
- Do not use the oven chamber for any type of storage.
- Do not cover the steam vents in the lid and ensure there is adequate ventilation around the bread maker during operation.

- Do not let infirm people use the appliance without supervision.
- Do not let children use or play with the appliance.
- Only use the appliance for its intended domestic use. Kenwood will not accept any liability if the appliance is subject to improper use, or failure to comply with these instructions.

before plugging in

- Make sure your electricity supply is the same as the one shown on the underside of your Bread Maker.
- This machine complies with European Economic Community Directive 89/336/EEC

before using your bread maker for the first time

- Wash all parts (see cleaning).

key

- ① lid handle
- ② viewing window
- ③ carrying handle
- ④ pan hook
- ⑤ heating element
- ⑥ bread pan handle
- ⑦ kneader
- ⑧ drive shaft
- ⑨ drive coupling
- ⑩ measuring cup
- ⑪ dual measuring spoon 1tsp & 1tbsp
- ⑫ on/off switch

- ⑬ control panel
- ⑭ display window
- ⑮ crust colour indicators (light, medium, dark)
- ⑯ loaf size indicators
- ⑰ menu pad
- ⑱ loaf size pad
- ⑲ delay timer pads
- ⑳ crust colour pad
- ㉑ start/stop pad

how to measure ingredients (refer to illustrations 3 to 7)

It is extremely important to use the exact measure of ingredients for best results.

- Always measure liquid ingredients in the see-through measuring cup with graduated markings provided. Liquid should just reach marking on cup at eye level, not above or below (see 3).
- Always use liquids at room temperature, 20°C/68°F, unless making bread using the rapid 1 hour cycle. Follow the instructions given in the recipe section.
- Always use the measuring spoon provided to measure smaller quantities of dry and liquid ingredients. For 1 tsp or 1 tbsp, fill to the top and level off the spoon (see 6).

on/off switch

Your Kenwood breadmaker is fitted with an ON/OFF switch and will not operate until the “on” switch is pressed.

- Plug in and press the ON/OFF switch ⑫ situated at the back of the breadmaker - 3:00 will appear in the display window.
- Always switch off and unplug your breadmaker after use.

using your Bread Maker

(refer to illustration panel)

- 1 Remove the bread pan by holding the handle and turning the pan to the back of the machine.
- 2 Fit the kneader.
- 3 Pour the water into the bread pan.
- 4 Add the rest of the ingredients to the pan in the order listed in the recipes.
- 5 Ensure that all the ingredients are weighed accurately as incorrect measures will produce poor results.
- 6 Insert the bread pan into the oven chamber by positioning the bread pan at an angle towards the back of the machine. Then lock the pan by turning it towards the front.
- 7 Lower the handle and close the lid.
- 8 Plug in and switch on - the unit will beep and default to setting 1 (3:00).
- 9 Press the MENU pad ⑰ until the required program is selected. The breadmaker will default to 900g & medium crust colour.
- 10 Select the loaf size by pressing the LOAF SIZE pad ⑱ until the indicator moves to the required loaf size.
- 11 Select the crust colour by pressing the CRUST pad ⑳ until the indicator moves to the required crust colour (light, medium or dark).
- 12 Press the START pad ㉑. To stop or cancel the program press the START/STOP pad for 2 – 3 seconds.
- 13 At the end of the baking cycle unplug the breadmaker.
- 14 Use the hook supplied to lift up the pan handle.
- 15 Remove the bread pan by holding the handle and turning the pan to the back of the machine. **Always use oven gloves as the pan handle will be hot.**
- 16 Then turn out onto a wire rack to cool.
- 17 Leave the bread to cool for at least 30 minutes before slicing, to allow the steam to escape. The bread will be difficult to slice if hot.
- 18 Clean the bread pan and kneader immediately after use (see care and cleaning).

bread/dough program chart

program		Total Program Time		Alert For Adding Ingredients *		Keep Warm **
		900g	700g	900g	700g	
1 basic	White or Brown Bread Flour recipes	3:00	2:53	2:20	2:15	60
2 french	Produces a crisper crust and suited to loaves low in fat and sugar	3:50	3:40	2:35	2:30	60
3 whole wheat	Whole wheat or wholemeal flour recipes	3:40	3:32	-		60
4 cake	Non – yeast batter breads & cakes	1:40		-		60
5 sweet	High sugar bread recipes	2:55	2:50	2:30	2:25	60
6 rapid 700g	Produces loaves of bread in under 1 hour. Loaves require warm water, extra yeast and less salt.	0:58		-		60
7 rapid 900g		0:58		-		60
8 dough	Dough for hand shaping and baking in your own oven.	1:30		-		-
9 jam	For making jams	1:20		-		-
10 gluten free	For use with gluten free flours and gluten free bread mixes.	2:50		-		60
11 sandwich	Softer crust and closer texture loaves	3:00	2:55	2:04	1:59	60
12 bake	Bake only feature. Can also be used to rewarm or crisp loaves already baked and cooled.	1:00		-		60

★ **An alert will sound before the end of the 2nd kneading cycle to add ingredients if the recipe recommends doing so.**


★★ **The Bread maker will automatically go in to the keep warm mode at the end of the baking cycle. It will stay in the keep warm mode for up to 1hour or until the machine is turned off, which ever is soonest.**

delay timer

The Delay timer allows you to delay the bread making process up to 13 hours. The delayed start is not recommended for use with the dough, jam, gluten-free or rapid settings.

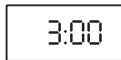
IMPORTANT: When using this delayed start function you must not use perishable ingredients – things that 'go off' easily at room temperature or above, such as milk, egg, cheese and yoghurt etc.

To use the DELAY TIMER simply place the ingredients in the bread pan and lock the pan into the bread maker. Then:

- Press the MENU pad  to choose the required program – the program cycle time is displayed.
- Select the crust colour and size required.
- Then set the delay timer.
- Press the (+) TIMER pad and keep pressing until the total time required is displayed. If you go past the required time press the (-) TIMER pad to go back. The timer pad when pressed, moves in 10 minute increments. You do not need to work out the difference between the program time selected and the total hours required as the bread maker will automatically include the setting cycle time.

Example: Finished loaf required at 7am. If the breadmaker is set up with the required recipe ingredients at 10pm the evening before, total time to be set on the delayed timer is 9 hours.

- Press the MENU pad to choose your program e.g. 1 and use the (+) timer pad to scroll the time in 10 minute increments to display '9:00'. If you go past '9:00', simply press the (-) timer pad until you return to '9:00'.
- Press the start pad and the display colon (:) will flash. The timer will start to count down.
- If you make a mistake or wish to change the time set, press the START/STOP pad until it beeps. You can then reset the time.



power interruption protection

Your breadmaker has a 15 mins power interruption protection in case the unit is accidentally unplugged during operation. The unit will continue the program if plugged back in straight away.

care and cleaning

IMPORTANT: unplug the Bread Maker and allow to cool before cleaning.

- Do not immerse either the Bread Maker body or the outside base of the bread pan in water.
- Do not use a dishwasher to clean bread pan. Dishwashing can damage the non-stick properties of the bread pan allowing bread to stick during baking.
- Do not use abrasive scouring pads or metal implements.
- Clean the bread pan and the kneader **immediately** after each use by partially filling the pan with warm soapy water. Leave to soak for 5 to 10 minutes. To remove the kneader, turn clockwise and lift off. Finish cleaning with a soft cloth, rinse and dry.

If the kneader cannot be removed after 10 minutes, hold the shaft from underneath the pan and twist back and forth until the kneader is released.

- Use a soft damp cloth to clean the outside and inside surfaces of the Bread Maker if necessary.

service and customer care

- If the cord is damaged it must, for safety reasons, be replaced by KENWOOD or an authorised KENWOOD repairer.

If you need help with:

- using your bread maker
 - servicing or repairs
- Contact the shop where you bought your bread maker.

Recipes (add the ingredients to the pan in the order listed in the recipes)

Basic White Bread

Program 1

Ingredients	900g	700g
Water	320ml	270ml
Vegetable oil	1½tbsp	1tbsp
Unbleached white bread flour	500g	400g
Skimmed milk powder	5tsp	1tbsp
Salt	1½tsp	1tsp
Sugar	1tbsp	2tsp
Easy blend dried yeast	7g (2¼tsp)	1½tsp

tsp = 5 ml teaspoon

tbsp = 15ml tablespoon

Wholemeal Seeded Bread **Program 3**

Ingredients	900g	700g
Water	310mls	250mls
Vegetable Oil	1½tbsp	1tbsp
Wholemeal bread flour	450g	370g
Unbleached white bread flour	50g	30g
Skimmed milk powder	5tsp	3tsp
Salt	1tsp	1tsp
Sugar	4tsp	3tsp
Easy blend dried yeast	1tsp	1tsp
Pumpkin Seeds	1tbsp	2tsp
Sunflower seeds	1tbsp	2tsp
Poppy seeds	2tsp	2tsp
Lightly toasted sesame seeds	2tsp	2tsp

1. Add the seeds when the machine makes an audible sound during the 2nd kneading cycle.

Brioche Bread

Program 5

Ingredients	900g	700g
Milk	200ml	160ml
Eggs	2	1
Butter, melted	140g	80g
Unbleached white bread flour	500g	400g
Salt	1½tsp	1tsp
Sugar	60g	40g
Easy blend dried yeast	2tsp	1½tsp

Rapid White Bread

Program 6-7

Ingredients	900g	700g
Water, lukewarm (32-35°C)	320ml	250ml
Unbleached white bread flour	500g	400g
Skimmed milk powder	5tsp	4tsp
Salt	1tsp	1tsp
Sugar	4tsp	3tsp
Butter	25g	15g
Easy blend dried yeast	4tsp	3tsp

Bread rolls

Program 8

Ingredients	Makes 12
Water	240ml
Egg	1
Unbleached white bread flour	450g
Salt	1tsp
Sugar	2tsp
Butter	25g
Easy blend dried yeast	1½tsp
For the topping:	
Egg yolk beaten with 15ml (1tbsp) water	1
Sesame seeds and poppy seeds, for sprinkling, optional	

1. At the end of the cycle, turn the dough out onto a lightly floured surface. Gently knock back the dough and divide into 12 equal pieces and hand shape.
2. After shaping, leave the dough for a final proving then bake in your conventional oven.

troubleshooting guide


Following are some typical problems that can occur when making bread in your bread maker. Please review the problems, their possible cause and the corrective action that should be taken to ensure successful bread making.

PROBLEM	POSSIBLE CAUSE	SOLUTION
LOAF SIZE AND SHAPE		
1. Bread does not rise enough	<ul style="list-style-type: none"> Wholemeal breads will be lower than white breads due to less gluten forming protein in whole wheat flour. Not enough liquid. Sugar omitted or not enough added. Wrong type of flour used. Wrong type of yeast used. Not enough yeast added or too old. Rapid bread cycle chosen. Yeast and sugar came into contact with each other before kneading cycle. 	<ul style="list-style-type: none"> Normal situation, no solution. Increase liquid by 15ml/3tsp. Assemble ingredients as listed in recipe. You may have used plain white flour instead of strong bread flour which has a higher gluten content. Do not use all-purpose flour. For best results use only fast action "easy blend" yeast. Measure amount recommended and check expiry date on package. This cycle produces shorter loaves. This is normal. Make sure they remain separate when added to the bread pan.
2. Flat loaves, no rising.	<ul style="list-style-type: none"> Yeast omitted. Yeast too old. Liquid too hot. Too much salt added. If using timer, yeast got wet before bread making process started. 	<ul style="list-style-type: none"> Assemble ingredients as listed in recipe. Check expiry date. Use liquid at correct temperature for bread setting being used. Use amount recommended. Place dry ingredients into corners of pan and make slight well in centre of dry ingredients for yeast to protect it from liquids.
3. Top inflated - mushroom-like in appearance.	<ul style="list-style-type: none"> Too much yeast. Too much sugar. Too much flour. Not enough salt. Warm, humid weather. 	<ul style="list-style-type: none"> Reduce yeast by 1/4tsp. Reduce sugar by 1tsp. Reduce flour by 6 to 9tsp. Use amount of salt recommended in recipe. Reduce liquid by 15ml/3 tsp and yeast by 1/4 tsp.
4. Top and sides cave in.	<ul style="list-style-type: none"> Too much liquid. Too much yeast. High humidity and warm weather may have caused the dough to rise too fast. 	<ul style="list-style-type: none"> Reduce liquid by 15ml/3tsp next time or add a little extra flour. Use amount recommended in recipe or try a quicker cycle next time. Chill the water or add milk straight from the fridge
5. Gnarly, knotted top - not smooth.	<ul style="list-style-type: none"> Not enough liquid. Too much flour. Tops of loaves may not all be perfectly shaped, however, this does not affect wonderful flavour of bread. 	<ul style="list-style-type: none"> Increase liquid by 15ml/3tsp. Measure flour accurately. Make sure dough is made under the best possible conditions.

troubleshooting guide *(continued)*

PROBLEM	POSSIBLE CAUSE	SOLUTION
LOAF SIZE AND SHAPE		
6. Collapsed while baking.	<ul style="list-style-type: none"> Machine was placed in a draught or may have been knocked or jolted during rising. Exceeding capacity of bread pan. Not enough salt used or omitted. (salt helps prevent the dough over proving) Too much yeast. Warm, humid weather. 	<ul style="list-style-type: none"> Reposition bread maker. Do not use more ingredients than recommended for large loaf (max. 900g). Use amount of salt recommended in recipe. Measure yeast accurately. Reduce liquid by 15ml/3tsp and reduce yeast by 1/4tsp.
7. Loaves uneven shorter on one end.	<ul style="list-style-type: none"> Dough too dry and not allowed to rise evenly in pan. 	<ul style="list-style-type: none"> Increase liquid by 15ml/3 tsp.
BREAD TEXTURE		
8. Heavy dense texture.	<ul style="list-style-type: none"> Too much flour. Not enough yeast. Not enough sugar. 	<ul style="list-style-type: none"> Measure accurately. Measure right amount of recommended yeast. Measure accurately.
9. Open, course, holey texture.	<ul style="list-style-type: none"> Salt omitted. Too much yeast. Too much liquid. 	<ul style="list-style-type: none"> Assemble ingredients as listed in recipe. Measure right amount of recommended yeast. Reduce liquid by 15ml/3tsp.
10. Centre of loaf is raw, not baked enough.	<ul style="list-style-type: none"> Too much liquid. Power cut during operation. Quantities were too large and machine could not cope. 	<ul style="list-style-type: none"> Reduce liquid by 15ml/3tsp. If power is cut during operation, the bread maker will remain off when power is restored. You will need to remove unbaked loaf from pan and start again with fresh ingredients. Reduce amounts to maximum quantities allowed.
11. Bread doesn't slice well, very sticky.	<ul style="list-style-type: none"> Sliced while too hot. Not using proper knife. 	<ul style="list-style-type: none"> Allow bread to cool on rack at least 30 minutes to release steam, before slicing. Use a good bread knife.
CRUST COLOUR AND THICKNESS		
12. Dark crust colour/ too thick.	<ul style="list-style-type: none"> DARK crust setting used. 	<ul style="list-style-type: none"> Use medium of light setting the next time.
13. Loaf of bread is burnt.	<ul style="list-style-type: none"> Bread maker malfunctioning. 	<ul style="list-style-type: none"> Refer to "Service and customer care" section.
14. Crust too light.	<ul style="list-style-type: none"> Bread not baked long enough. No milk powder or fresh milk in recipe. 	<ul style="list-style-type: none"> Extend baking time. Add 15ml/3tsp skimmed milk powder or replace 50% of water with milk to encourage browning.

troubleshooting guide (continued)

PROBLEM	POSSIBLE CAUSE	SOLUTION
PAN PROBLEMS		
15. Kneader cannot be removed.	<ul style="list-style-type: none"> You must add water to bread pan and allow kneader to soak before it can be removed. 	<ul style="list-style-type: none"> Follow cleaning instructions after use. You may need to twist kneader slightly after soaking to loosen.
16. Bread sticks to pan/ difficult to shake out.	<ul style="list-style-type: none"> Can happen over prolonged use. 	<ul style="list-style-type: none"> Lightly wipe the inside of bread pan with vegetable oil. Refer to "Service and customer care" section.
MACHINE MECHANICS		
17. Breadmaker not operating/Kneader not moving.	<ul style="list-style-type: none"> Breadmaker not switched on Pan not correctly located. Delay timer selected. 	<ul style="list-style-type: none"> Check on/off switch  is in the ON position. Check the pan is locked in place. Breadmaker will not start until the countdown reaches the program start time.
18. Ingredients not mixed.	<ul style="list-style-type: none"> Did not start bread maker. Forgot to put kneader in pan. 	<ul style="list-style-type: none"> After programming control panel, press start button to turn bread maker on. Always make sure kneader is on shaft in bottom of pan before adding ingredients.
19. Burning odour noted during operation.	<ul style="list-style-type: none"> Ingredients spilled inside oven. Pan leaks. Exceeding capacity of bread pan. 	<ul style="list-style-type: none"> Be careful not to spill ingredients when adding to pan. Ingredients can burn on heating unit and cause smoke. See "Service and Customer care" section. Do not use more ingredients than recommended in recipe and always measure ingredients accurately.
20. Machine unplugged by mistake or power lost during use. How can I save the bread?.	<ul style="list-style-type: none"> If machine is in knead cycle, discard ingredients and start again. If machine is in rise cycle, remove dough from bread pan, shape and place in greased 23 x 12.5cm/9 x 5 in. loaf tin, cover and allow to rise until doubled in size. Use bake only setting 12 or bake in pre-heated conventional oven at 200°C/400°F/Gas mark 6 for 30-35 minutes or until golden brown. If machine is in bake cycle, use the bake only setting 12 or bake in pre-heated conventional oven at 200°C/400°F/Gas mark 6 and remove top rack. Carefully remove pan from machine and place on bottom rack in oven. Bake until golden brown. 	
21. H:HH appears on display and machine cannot be turned on.	<ul style="list-style-type: none"> Oven chamber too hot. 	<ul style="list-style-type: none"> Unplug and allow to cool down for 30 minutes.
22. E:EE appears in display and machine does not operate.	<ul style="list-style-type: none"> Bread machine is malfunctioning. Temperature sensor error 	<ul style="list-style-type: none"> See "Service and Customer care" section.

Nederlands

Vouw voor het lezen a.u.b. de voorpagina met illustraties uit

voordat u uw Kenwood-apparaat gebruikt:

- Lees deze instructies zorgvuldig door en bewaar ze voor toekomstig gebruik.
- Verwijder de verpakking en etiketten, inclusief de kartonnen steun in het bakgedeelte.

veiligheid

- De hete oppervlakken nooit aanraken. De toegankelijke oppervlakken kunnen tijdens het gebruik erg warm worden. Gebruik altijd ovenhandschoenen om de hete broodpan te verwijderen.
- Om te voorkomen dat er gemorst wordt in de oven, dient u het brood altijd uit het broodblik te verwijderen voor u ingrediënten toevoegt. Ingrediënten die op het verhittingselement komen, kunnen verbranden en rook veroorzaken.
- Gebruik dit apparaat niet, als het snoer zichtbaar beschadigd is of als hij per ongeluk op de grond is gevallen.
- Dompel dit apparaat, het snoer of de stekker nooit in water of in een andere vloeistof.
- Haal de stekker van het apparaat na gebruik uit het stopcontact, en ook voor u onderdelen monteert of verwijdert of voordat u het apparaat reinigt.
- Laat het snoer nooit over de rand van een werkoppervlak hangen en zorg dat het niet in aanraking komt met hete oppervlakken zoals een gasfornuis of elektrische kookplaat.
- Dit apparaat dient uitsluitend op een vlak hittebestendig oppervlak gebruikt te worden.
- Steek geen hand in de ovenkamer, nadat de broodpan is verwijderd.
- Raak geen bewegende delen in de broodbakmachine aan.
- Overschrijd niet de aangegeven maximale capaciteit, omdat de broodbakmachine anders overbelast zou kunnen raken.
- Plaats de broodbakmachine niet in direct zonlicht, in de buurt van hete apparaten of op een tochtige plaats. Al deze dingen kunnen invloed hebben op de oventemperatuur en daardoor slechte resultaten opleveren.
- Mocht de stroom uitvallen nadat de ingrediënten gedeeltelijk zijn verwerkt, dan zult u weer van voren af aan moeten beginnen.
- Zet de broodbakmachine nooit aan als hij leeg is, omdat dit tot ernstige schade zou kunnen leiden.
- Gebruik de ovenkamer nooit om er iets in te bewaren.

- Bedek nooit de ventilatiegaten voor stoom in het deksel en zorg voor voldoende ventilatie rond de broodbakmachine, als deze in bedrijf is.
- Waarschuwing: Gebruik geen harde ingrediënten of suikerklontjes bij de bereiding van het brood.
- Lichamelijk of verstandelijk zwakke personen mogen dit apparaat nooit zonder toezicht gebruiken.
- Laat kinderen nooit het apparaat bedienen of er mee spelen.
- Gebruik het apparaat alleen voor het huishoudelijke gebruik waarvoor het is bedoeld. Kenwood kan niet aansprakelijk worden gesteld in het geval dat het apparaat niet correct is gebruikt, of waar deze instructies niet worden opgevolgd.

voordat de stekker in het stopcontact wordt gestoken

- Controleer of de netspanning overeenkomt met de waarde vermeld op de onderzijde van de broodbakmachine.
- Dit apparaat voldoet aan EG-richtlijn 89/336/EEG.

voordat u de broodbakmachine voor het eerst gebruikt

- Was alle onderdelen (zie reiniging).

legenda

- ① handvat van het deksel
- ② kijkvenster
- ③ hengsel
- ④ blikhaak
- ⑤ verhittingselement
- ⑥ handvat broodblik
- ⑦ kneder
- ⑧ aandrijfjas
- ⑨ aandrijfkoppel
- ⑩ maatbeker
- ⑪ dubbele maatlepel 1 theelepel & 1 eetlepel
- ⑫ aan/uitschakelaar
- ⑬ bedieningspaneel
- ⑭ weergavevenster
- ⑮ indicatoren voor korstkleur (licht, medium, donker)
- ⑯ indicator broodafmeting
- ⑰ menu-toets
- ⑱ toets voor broodafmeting
- ⑲ programmeerbare timertoets
- ⑳ korstkleurtoets
- ㉑ start/stop-toets


Ingrediënten afwegen (zie illustratie 3 tot en met 7)

Voor de beste resultaten is het erg belangrijk dat u de exacte hoeveelheid ingrediënten afweegt.

- Meet vloeibare ingrediënten altijd af in de meegeleverde doorzichtige maatbeker met maatstrepen. Het niveau van vloeistoffen moet op ooghoogte van een maatstreep zijn, niet erboven of eronder (zie 3).
- Gebruik altijd vloeistoffen op kamertemperatuur (20°C), tenzij brood wordt gebakken met een snelle 1-uurscyclus. Volg de aanwijzingen in het receptenboek.
- Meet de vloeibare ingrediënten altijd af in de doorzichtige gekalibreerde maatbeker. Vul voor het afmeten van 1 theelepel de lepel tot de rand en strijk hem dan af. Vul voor het afmeten van een halve theelepel de lepel tot de maatstreep (zie 6).

aan/uitschakelaar

Uw Kenwood-broodmachine is uitgerust met een AAN/UIT-schakelaar en werkt pas wanneer de schakelaar op Aan staat.

- Steek de stekker in het stopcontact en druk op de AAN/UIT-schakelaar  die zich aan de achterkant van de broodmachine bevindt - 3:00 wordt nu in het venster weergegeven
- Schakel de broodmachine na gebruik altijd uit en haal de stekker uit het stopcontact.

gebruik van uw broodmachine (zie de illustraties)

- 1 Verwijder het broodblik door het handvat vast te pakken en het blik in de richting van de achterkant van de machine te draaien.
- 2 Zet de kneder in de machine.
- 3 Giet het water in het broodblik
- 4 Voeg de rest van de ingrediënten aan het blik toe in de volgorde die in het recept wordt aangegeven. Zorg dat alle ingrediënten nauwkeurig zijn afgewogen; onnauwkeurige hoeveelheden leiden tot slechte resultaten.
- 5     
- 7
- 8 Zet het broodblik in de oven en plaats het achterover gekanteld in de machine. Vergrendel het blik vervolgens door het naar voren te draaien.
- 9 Duw het handvat naar beneden en sluit het deksel.
- 10 Steek de stekker in het stopcontact; het apparaat geeft een pieptoon en wordt standaard op stand 1 gezet (3:00).
- 11 Druk op de MENU-toets  tot het gewenste programma geselecteerd is. De broodmachine wordt standaard ingesteld op 900 gram en een medium korstkleur.
- 12 Selecteer de broodafmeting door op de toets BROODAFMETING  te drukken tot de indicator op de gewenste broodafmeting staat.
- 13 Selecteer de korstkleur door op de toets KORSTKLEUR  te drukken tot de indicator op de gewenste korstkleur staat (licht, medium, donker).
- 14 Druk op de START-toets . Om het programma te stoppen of te annuleren, drukt u gedurende 2 à 3 seconden op de START/STOP-toets.
- 15 Na afloop van de bakcyclus dient u de stekker van de broodmachine uit het stopcontact te halen.
- 16 Gebruik de bijgeleverde haak om het handvat van het blik op te tillen.
- 17 Verwijder het broodblik door het handvat vast te pakken en het blik in de richting van de achterkant van de machine te draaien. **Het handvat van het blik is heet: gebruik dus altijd ovenhandschoenen.**
- 18 Keer het blik om en leg het brood op een rooster om af te koelen.
- 19 Laat het brood ten minste 30 minuten afkoelen voor u het snijdt, zodat de stoom kan ontsnappen. Het brood is moeilijk te snijden wanneer het warm is.
- 20 Het broodblik en de kneder onmiddellijk na gebruik reinigen (zie Onderhoud en verzorging)

brood/deeg-programmakaart

programma		Totale programmatijd		Waarschuwing voor het toevoegen van ingrediënten ☆		Warm houden ☆☆
		900g	700g	900g	700g	
1 normaal	Recepten voor wit- of bruinbrood	3:00	2:53	2:20	2:15	60
2 stokbrood	Voor een knapperiger korst en voor broden met een laag vet- en suikergehalte	3:50	3:40	2:35	2:30	60
3 tarwe	Recepten voor tarwe- of volkorenmeel	3:40	3:32	-		60
4 cake	Broden en cakes zonder gist	1:40		-		60
5 zoet	Recepten voor broden met een hoog suikergehalte	2:55	2:50	2:30	2:25	60
6 snel 700 g	Bakt een brood in minder dan een uur. Hiervoor gebruikt u warm water, extra gist en minder zout.	0:58		-		60
7 snel 900 g		0:58		-		60
8 deeg	Deeg voor handvormen en bakken in uw eigen oven.	1:30		-		-
9 jam	Voor het maken van jam	1:20		-		-
10 glutenvrij	Voor gebruik met glutenvrij meel en glutenvrije broodmix.	2:50		-		60
11 sandwich	Zachtere korst en dichtere textuur	3:00	2:55	2:04	1:59	60
12 bakken	Uitsluitend bakken. Kan ook gebruikt worden om reeds gebakken brood op te warmen of een knapperige korst te geven.	1:00		-		60

- ☆ **Voor het eind van de tweede kneedcyclus klinkt een alarm dat aangeeft dat ingrediënten toegevoegd moeten worden, als het recept dit aangeeft.**
- ☆☆ **De broodmachine schakelt aan het eind van de bakcyclus automatisch naar de warmhoudmodus. De machine blijft maximaal 1 uur in de warmhoudmodus of tot de machine wordt uitgeschakeld,**

vertragingstimer ⌚

Met de programmeerbare timer kunt u het broodproces maximaal 13 uur uitstellen. De uitgestelde start wordt niet aanbevolen voor gebruik in de stand deeg, jam, glutenvrij of snel.

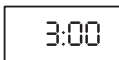
BELANGRIJK: Wanneer u deze functie voor een uitgestelde start gebruikt, dient u geen ingrediënten te gebruiken die op kamertemperatuur of hoger gemakkelijk bederven, zoals melk, eieren, kaas, yoghurt, enz.

Als u de VERTRAGINGSTIMER wilt gebruiken, doet u alle de ingrediënten in de broodpan. Zet de broodpan in de machine vast. Dan:

- Kies de MENU-knop  om de gewenste stand te kiezen.
- Kies de gewenste korstkleur en het gewenste gewicht.
- Stel de vertragingstimer in.
- Druk op (+) TIMER-toets en blijf drukken tot de totaal benodigde tijd wordt weergegeven. Als u te ver gaat, kunt u op de (-) TIMER-toets drukken om terug te gaan. De timertoets zet de tijd in stappen van 10 minuten. U hoeft niet het verschil te berekenen tussen de geselecteerde programmatijd en de totaal benodigde tijd; de broodmachine neemt de cyclustijd automatisch in aanmerking.

Voorbeeld: U wilt dat er om 7 uur 's morgens een vers gebakken brood voor u klaar ligt. Als de broodmachine om 10 uur de avond ervoor wordt voorbereid met alle benodigde ingrediënten, moet vertragingstimer ingesteld worden op 9 uren.

- Druk op de MENU-toets om uw programma te selecteren, bv. 1 en gebruik de (+) timertoets om de tijd in stappen van 10 minuten in te stellen op 9:00. Als u 9:00 voorbijgaat, kunt u op de (-) toets drukken tot u weer bij 9:00 bent.
- Druk op de starttoets en de weergegeven dubbele punt (:) gaat knipperen. De timer telt nu naar beneden af.
- Als u een fout maakt of de ingestelde tijd wilt veranderen, drukt u op de START/STOP-toets tot u een pieptoon hoort. U kunt nu de tijd opnieuw instellen.



bescherming tegen stroomuitval

Uw broodmachine beschikt over een stroomonderbrekingsbescherming van 15 minuten voor het geval de stekker van het apparaat per ongeluk uit het stopcontact gehaald wordt, terwijl het apparaat in bedrijf is. Het apparaat werkt het programma normaal af, wanneer het onmiddellijk weer op het stopcontact wordt aangesloten.

verzorging en reiniging

BELANGRIJK: trek de stekker uit het stopcontact en laat de machine vóór reiniging afkoelen.

- Dompel het hoofddeel van de broodbakmachine of de voet van de broodpan NOOIT onder in water.
- U mag het broodblik niet in de afwasmachine reinigen. De afwasmachine kan de anti-aanbakeigenschappen van het broodblik beschadigen, waardoor het brood aan de het blik kan blijven plakken tijdens het bakken.
- Gebruik NOOIT schuurponsjes of metalen gereedschappen.
- Reinig de broodpan en deeghaak na elk gebruik door de pan gedeeltelijk met warm zeepwater te vullen. Laat het 5-10 minuten weken. Om de deeghaak te verwijderen moet deze met de klok mee worden gedraaid en vervolgens van de as worden getrokken. Reinig de pan ten slotte met een zachte doek, spoel de pan en droog hem dan.

Als u de kneder na 10 minuten niet kunt verwijderen, houdt u de as aan de onderkant van de pan vast en draait u hem heen en weer, totdat de kneder los komt.

- Reinig de inwendige en uitwendige oppervlakken van de broodbakmachine zo nodig met een zachte, vochtige doek.

onderhoud en klantenservice

- Als het snoer van uw broodbakmachine is beschadigd, moet het om veiligheidsredenen worden vervangen door Kenwood of een bevoegde Kenwood-monteur.

Indien u hulp nodig heeft bij:

- het gebruik van uw machine
 - service of reparaties (binnen of buiten de garantieperiode)
- neem dan contact op met de zaak waar u de broodbakmachine heeft gekocht.

recepten (voeg de ingrediënten aan het blik toe in de volgorde die in het recept wordt aangegeven)

Gewoon witbrood

Programma 1

Ingrediënten	900 g	700 g
Water	320 ml	270 ml
Plant aardige olie	1½ el	1 el
Ongebleekt meel voor witbrood	500 g	400 g
Magere melkpoeder	5 theel	1 el
Zout	1½ theel	1 theel
Suiker	1 el	2 theel
Gemakkelijk mengbare droge gist	7g (2½ theel)	1½ theel

theel = theelepel van 5 ml

el = eetelepel van 15 ml

Volkoren brood met zaden **Programma 3**

Ingrediënten	900 g	700 g
Water	310 ml	250 ml
Plant aardige olie	1½ el	1 el
Volkoren broodmeel	450 g	370 g
Ongebleekte witte bloem	50 g	30 g
Magere melkpoeder	5 tl	3 tl
Zout	1 tl	1 tl
Suiker	4 tl	3 tl
Gedroogde gist	1 tl	1 tl
Pompepit	1 el	2 tl
Zonnebloempitten	1 el	2 tl
Blauwmaanzaad	2 tl	2 tl
Licht geroosterde sesamzaadjes	2 tl	2 tl

1 Voeg de zaden of pitten toe wanneer de machine een hoorbaar geluid maakt tijdens de tweede kneedcyclus.

Brioche

Programma 5

Ingrediënten	900 g	700 g
Melk	200 ml	160 ml
Eieren	2	1
Boter, gesmolten	140 g	80 g
Ongebleekte witte bloem	500 g	400 g
Zout	1½ tl	1 tl
Suiker	60 g	40 g
Gedroogde gist	2 tl	1½ tl

Snel witbrood

Programma 6-7

Ingrediënten	900g	700g
Lauw water (32-35°C)	320 ml	250 ml
Ongebleekt meel voor witbrood	500 g	400 g
Magere melkpoeder	5 eetl	4 eetl
Zout	1 theel	1 theel
Suiker	4 theel	3 theel
Boter	25 g	15 g
Gemakkelijk mengbare droge gist	4 theel	3 theel

Rolvormige baksels

Programma 8

Ingrediënten	maakt u 12
Water	240ml
Ei	1
Ongebleekte bloem	450g
Zout	1 theel
Suiker	2 theel
Boter	25g
Gemakkelijk te mengen, gedroogde gist	1½ theel
Voor het glazuur:	
1 eidooier geklutst met 15 ml (3 tl.) water	1
facultatief: sesamzaad en papaverzaad om de baksels mee te bestrooien	

- Breng aan het einde van de cyclus het deeg over op een licht met bloem bestrooid oppervlak. Tik het deeg voorzichtig terug en verdeel het in 12 gelijke stukken.
- Laat het deeg na het vormen nog een laatste keer rijzen en bak het vervolgens in uw conventionele oven.

Het opsporen en oplossen van problemen

Hier volgen enige gebruikelijke problemen die bij broodbakken in de broodbakmachine kunnen optreden. Bestudeer de problemen, hun mogelijke oorzaak en de maatregel die moet worden genomen om brood met succes te bakken.

PROBLEEM	MOGELIJKE OORZAAK	OPLOSSING
GROOTTE EN VORM VAN BRODEN		
1. Brood rijst niet voldoende.	<ul style="list-style-type: none"> • Volkorenbrood rijst minder dan wittebrood, omdat volkorenmeel een lager gehalte aan glutenvormende eiwitten heeft. • Onvoldoende vloeistof. • Geen of te weinig suiker toegevoegd. • Verkeerde soort meel gebruikt • Verkeerde soort gist gebruikt. • Onvoldoende gist toegevoegd of gist is te oud. • De snelle cyclus is geselecteerd. • Gist en suiker zijn vóór het kneden al met elkaar in contact gekomen. 	<ul style="list-style-type: none"> • Normale situatie, geen oplossing. • Verhoog de hoeveelheid vloeistof met 15ml/3 tl. • Verzamel de in het recept genoemde ingrediënten. • Mogelijk heeft u pure bloem gebruikt in plaats van stevig meel, dat een hoger glutengehalte heeft. • Gebruik geen universeel toepasbaar meel. • Voor het beste resultaat wordt gemakkelijk mengbare zeer actieve gist aanbevolen. • Meet de aanbevolen hoeveelheid af en controleer de uiterste gebruiksdatum op de verpakking. • Bij deze cyclus ontstaan kortere broden. Dit is normaal. • Zorg dat de ingrediënten bij het in de broodpan doen gescheiden blijven.
2. Platte broden; rijzen niet.	<ul style="list-style-type: none"> • Geen gist toegevoegd. • Gist is te oud. • Vloeistof is te warm. • Te veel zout toegevoegd. • Als de tijd klok is gebruikt, is de gist vóór het bakken nat geworden. 	<ul style="list-style-type: none"> • Verzamel de in het recept genoemde ingrediënten. • Controleer de uiterste gebruiksdatum. • Gebruik vloeistof op de juiste temperatuur voor de gebruikte instelling. • Gebruik de aanbevolen hoeveelheid. • Plaats droge ingrediënten in de hoeken van de pan en maak een kuiltje in het midden van de droge ingrediënten voor de gist om deze gescheiden van de vloeistoffen te houden.
3. Bovenkant opgezwollen - brood ziet eruit als een paddestoel.	<ul style="list-style-type: none"> • Te veel gist. • Te veel suiker. • Te veel meel. • Onvoldoende zout. • Warm, vochtig weer. 	<ul style="list-style-type: none"> • Verlaag de hoeveelheid gist met ¼ tl. • Verlaag de hoeveelheid suiker met 1 tl. • Verlaag de hoeveelheid meel met 6-9 tl. • Gebruik de in het recept aanbevolen hoeveelheid zout. • Verlaag de hoeveelheid vloeistof met 15ml/3 tl. en de hoeveelheid gist met ¼ tl.


Het opsporen en oplossen van problemen (vervolg)

PROBLEEM	MOGELIJKE OORZAAK	OPLOSSING
4. Bovenkant en zijkanten zakken in.	<ul style="list-style-type: none"> • Te veel vloeistof. • Te veel gist. • Het deeg is mogelijk te snel gerezen als gevolg van een hoge luchtvochtigheid en warm weer. 	<ul style="list-style-type: none"> • Verlaag de volgende keer de hoeveelheid vloeistof met 15 ml/3 tl. of voeg wat extra meel toe. • Gebruik de in het recept aanbevolen hoeveelheid of probeer de volgende keer een snellere cyclus. • Koel het water af of voeg melk toe rechtstreeks uit de koelkast.
5. Misvormde, knoetige bovenkant - niet glad.	<ul style="list-style-type: none"> • Onvoldoende vloeistof. • Te veel meel. • Ook al zijn broden lelijk van boven, hun verrukkelijke smaak lijdt daar niet onder. 	<ul style="list-style-type: none"> • Verhoog de hoeveelheid vloeistof met 15 ml/3 tl. • Meet het meel nauwkeurig af. • Zorg dat het deeg onder optimale omstandigheden wordt gemaakt.
6. In elkaar gezakt tijdens het bakken.	<ul style="list-style-type: none"> • De machine is op een tochtige plaats gezet of tijdens het rijzen is ertegen gestoten. • De capaciteit van de broodpan is overschreden. • Er is onvoldoende of geen zout gebruikt. (zout helpt te voorkomen dat het deeg te sterk rijst) • Te veel gist. • Warm, vochtig weer. 	<ul style="list-style-type: none"> • Zet de broodbakmachine op een andere plaats. • Gebruik niet meer ingrediënten dan aanbevolen wordt voor een groot brood (max. 900 g). • Gebruik de in het recept aanbevolen hoeveelheid zout. • Meet de gist nauwkeurig af. • Verlaag de hoeveelheid vloeistof met 15 ml/3 tl. en verlaag de hoeveelheid gist met ¼ tl.
7. Broden zijn oneffen en korter aan één kant.	<ul style="list-style-type: none"> • Het deeg is te droog en kon in de pan niet gelijkmatig rijzen. 	<ul style="list-style-type: none"> • Verhoog de hoeveelheid vloeistof met 15 ml/3 tl.

Het opsporen en oplossen van problemen (vervolg)

PROBLEEM	MOGELIJKE OORZAAK	OPLOSSING
BROODTEXTUUR		
8. Dichte textuur.	<ul style="list-style-type: none"> • Te veel deeg. • Onvoldoende gist. • Onvoldoende suiker. 	<ul style="list-style-type: none"> • Nauwkeurig afmeten. • De juiste hoeveelheid aanbevolen gist afmeten. • Nauwkeurig afmeten.
9. Open, grove, sponsachtige structuur.	<ul style="list-style-type: none"> • Geen zout toegevoegd. • Te veel gist. • Te veel vloeistof. 	<ul style="list-style-type: none"> • Verzamel de in het recept genoemde ingrediënten. • Meet de juiste hoeveelheid aanbevolen gist af. • Verlaag de hoeveelheid vloeistof met 15 ml/3 tl.
10. Het midden van het brood is onvoldoende gebakken.	<ul style="list-style-type: none"> • Te veel vloeistof. • Stroomstoring tijdens het bakken. • Te grote hoeveelheden; de machine kon het niet aan. 	<ul style="list-style-type: none"> • Verlaag de hoeveelheid vloeistof met 15 ml/3 tl. • Als tijdens het bakken de stroom is uitgevallen, blijft de broodbakmachine uit wanneer de stroom is opgeheven. U moet het ongebakken brood dan uit de pan halen en van voren af aan beginnen met nieuwe ingrediënten. • Verlaag de hoeveelheden tot de maximaal toegestane hoeveelheden.
11. Het brood is niet gemakkelijk in sneetjes te snijden en is erg kleverig.	<ul style="list-style-type: none"> • Sneetjes zijn gesneden terwijl het brood te warm was. • Er is geen goed mes gebruikt. 	<ul style="list-style-type: none"> • Laat brood minimaal 30 minuten op een rooster afkoelen om stoom eruit te laten ontsnappen, voordat u het in sneetjes snijdt. • Gebruik een goed broodmes.
KORSTKLEUR- EN DIKTE		
12. Donkere korst/korst te dik.	<ul style="list-style-type: none"> • De instelling voor een donkere korst is gebruikt. 	<ul style="list-style-type: none"> • Gebruik de volgende keer een medium of lage stand.
13. Het brood is aangebrand.	<ul style="list-style-type: none"> • De broodbakmachine is defect. 	<ul style="list-style-type: none"> • Zie paragraaf "Onderhoud en klantenservice".
14. De korst is te licht.	<ul style="list-style-type: none"> • Het brood is niet lang genoeg gebakken. • Het recept bevat geen melkpoeder of verse melk. 	<ul style="list-style-type: none"> • Verleng de baktijd. • Voeg 15 ml/3 tl. magere melkpoeder toe of vervang 50% van het water door melk ter bevordering van het bruin worden.
PROBLEMEN MET PAN		
15. De deeghaak kan niet worden verwijderd.	<ul style="list-style-type: none"> • U moet water in de broodpan gieten en de deeghaak vóór verwijdering laten weken. 	<ul style="list-style-type: none"> • Volg na gebruik de reinigingsinstructies. Mogelijk moet u de deeghaak na het inweken iets draaien om hem los te krijgen.
16. Het brood kleeft aan de pan/is moeilijk door schudden eruit te krijgen.	<ul style="list-style-type: none"> • Kan gebeuren bij langdurig gebruik. 	<ul style="list-style-type: none"> • Smeer de binnenkant van de broodpan licht in met plantaardige olie. • Zie paragraaf "Onderhoud en klantenservice"

Het opsporen en oplossen van problemen (vervolg)

PROBLEEM	MOGELIJKE OORZAAK	OPLOSSING
MECHANISCHE ASPECTEN VAN DE MACHINE		
17. De broodmachine functioneert niet/De kneder beweegt niet.	<ul style="list-style-type: none"> • Broodmachine staat niet aan • De broodpan is niet goed in de machine geplaatst. • De vertragingstimer werd ingesteld. 	<ul style="list-style-type: none"> • Controleer of de aan/uitschakelaar  in de AAN-stand staat. • Controleer of de pan goed vergrendeld is. • De broodmachine begint pas te werken wanneer de timer klaar is met aftellen en de begintijd van het programma is bereikt.
18. De ingrediënten zijn niet gemengd.	<ul style="list-style-type: none"> • De broodbakmachine is niet aangezet. • Er is vergeten de deeghaak in de pan aan te brengen. 	<ul style="list-style-type: none"> • Druk na het programmeren van het bedieningspaneel op de starttoets om de broodbakmachine aan te zetten. • Controleer vóór het toevoegen van ingrediënten altijd of de deeghaak zich op de as onder in de pan bevindt.
19. Tijdens bedrijf wordt een brandlucht opgemerkt.	<ul style="list-style-type: none"> • In de oven is met ingrediënten gemorst. • De pan lekt. • De capaciteit van de broodpan is overschreden. 	<ul style="list-style-type: none"> • Pas ervoor op tijdens het toevoegen van ingrediënten niet te morsen, want ingrediënten kunnen op het verwarmingselement verbranden en rook veroorzaken. • Zie het hoofdstuk "Onderhoud en klantenservice" • Gebruik van de ingrediënten niet meer dan in het recept is aanbevolen en meet ingrediënten altijd nauwkeurig af.
20. Tijdens gebruik is per ongeluk de stekker uit het stopcontact getrokken of is de stroom uitgevallen. Hoe kan ik het brood redden?	<ul style="list-style-type: none"> • Als de machine in de kneedfase uit gaat, gooit u alle ingrediënten weg, en begint u opnieuw. • Als de machine in de rijfsfase uit gaat, haalt u het deeg uit de broodpan, vormt u het opnieuw en legt u het in een ingevet broodblik van 23 x 12,5 cm. Bedek het blik en laat het deeg rijzen, totdat het twee keer zo hoog is. • Gebruik de alleen bakken-stand 12 of bak het brood in een voorverwarmde conventionele oven 30-35 minuten lang op 200°C of tot goudbruin van kleur. • Als de machine in de bakfase uit gaat, gebruikt u de alleen bakken-stand 12 of bakt u het brood in een voorverwarmde conventionele oven op 200°C en verwijdert u het bovenste rooster. Verwijder de pan voorzichtig uit de broodmachine en plaats hem op het onderste rooster in de oven. Bak het brood totdat het goudbruin van kleur is. 	
21. H:HH wordt weergegeven en de machine kan niet ingeschakeld worden.	<ul style="list-style-type: none"> • De ovenkamer is te heet. 	<ul style="list-style-type: none"> • Trek de stekker uit het stopcontact en laat de machine 30 minuten afkoelen.
22. E:EE wordt weergegeven en de machine werkt niet.	<ul style="list-style-type: none"> • Broodmachine vertoont een storing. Fout temperatuursensor 	<ul style="list-style-type: none"> • Zie het hoofdstuk "Onderhoud en klantenservice"

Français

Avant de lire, dépliez la première page pour voir les illustrations

avant d'utiliser votre appareil Kenwood

- Lisez et conservez soigneusement ces instructions pour pouvoir vous y référer ultérieurement.
- Enlevez tous les emballages et étiquettes, y compris le support en carton se trouvant à l'intérieur de la chambre de cuisson.

sécurité

- Ne pas toucher les surfaces chaudes. Les surfaces accessibles sont susceptibles de devenir très chaudes en cours d'utilisation. Utilisez toujours un gant pour sortir le bol à pain chaud.
- Pour éviter tout déversement à l'intérieur de l'enceinte du four, toujours retirer le moule à pain de la machine avant d'ajouter les ingrédients. Les projections d'ingrédient sur l'élément chauffant peuvent brûler et causer alors un dégagement de fumée.
- N'utilisez pas cet appareil s'il y a un quelconque signe visible de dommage au cordon fourni ou s'il est accidentellement tombé.
- Ne mettez jamais l'appareil dans l'eau et ne laissez jamais le cordon d'alimentation ou la prise électrique se mouiller.
- Toujours débrancher la prise de courant de l'appareil après l'utilisation, avant la mise en place ou le retrait d'accessoires et avant le nettoyage.
- Ne laissez pas le cordon d'alimentation pendre du plan de travail et ne le laissez pas toucher des surfaces chaudes comme une plaque électrique ou à gaz.
- Cet appareil doit uniquement être utilisé sur une surface plane résistant au feu.
- Ne mettez pas votre main à l'intérieur du four après avoir enlevé le bol à pain.
- Ne touchez pas les pièces mobiles dans la machine à pain.
- Ne dépassez pas les capacités maximales de charge établies car cela pourrait provoquer une surcharge de la machine à pain.
- Ne placez pas la machine à pain directement au soleil, près d'appareils chauds ou dans un courant d'air. Toutes ces choses peuvent affecter la température interne du four, et les résultats pourraient être voués à l'échec.
- Dans la malheureuse éventualité d'une coupure de courant après que les ingrédients aient été partiellement traités, vous devrez recommencer à zéro.
- N'utilisez pas cet appareil dehors.
- Ne faites pas fonctionner la machine à pain à vide car cela pourrait l'endommager sérieusement.

- N'utilisez pas l'intérieur de la machine comme lieu de stockage quelconque.
- Ne couvrez pas les trous d'échappement de la vapeur situés sur le couvercle et assurez-vous que la ventilation est adéquate autour de la machine à pain lorsqu'elle fonctionne.
- Ne laissez pas les personnes handicapées se servir de l'appareil sans surveillance.
- Ne laissez pas les enfants jouer avec l'appareil ni l'utiliser.
- N'employez l'appareil qu'à la fin domestique prévue. Kenwood décline toute responsabilité dans les cas où l'appareil est utilisé incorrectement ou que les présentes instructions ne sont pas respectées.

avant de brancher l'appareil, assurez-vous que

- Assurez-vous que le courant électrique que vous utilisez est le même que celui indiqué sous votre appareil.
- Cet appareil est conforme à la directive 89/336 de la C.E.

avant d'utiliser votre machine à pain pour la première fois :

- Lavez tous les éléments de l'appareil (voir "Nettoyage").

légende

- ① poignée du couvercle
- ② hublot de surveillance
- ③ poignée de transport
- ④ crochet du moule
- ⑤ élément chauffant
- ⑥ poignée du moule à pain
- ⑦ bras pétrisseur
- ⑧ arbre de transmission
- ⑨ accouplement entre bras pétrisseur et moteur
- ⑩ tasse graduée
- ⑪ double cuillère à mesurer : 1 cuillère à café & 1 cuillère à soupe
- ⑫ interrupteur marche / arrêt
- ⑬ panneau de contrôle
- ⑭ fenêtre d'affichage
- ⑮ témoins de couleur de la croûte (claire, moyennement dorée, dorée)
- ⑯ témoins du poids du pain
- ⑰ bouton menu
- ⑱ bouton poids du pain
- ⑲ boutons du programmateur
- ⑳ bouton de couleur de la croûte
- ㉑ bouton marche/arrêt

comment mesurer les ingrédients (veuillez vous référer aux tableaux 3 à 7)

Il est très important d'utiliser les quantités d'ingrédients exactes afin d'obtenir les meilleurs résultats possibles.

- Mesurez toujours les ingrédients liquides avec le gobelet doseur transparent gradué fourni. Le liquide doit atteindre juste le repère sur le godet au niveau des yeux, non en-dessous ou en-dessus de celui-ci (voir le 3).
- Utilisez toujours des liquides qui sont à la température ambiante, soit 20°C, à moins que le pain ne soit préparé avec le cycle rapide d'une heure. Suivez les instructions données dans le livre de recettes.
- Mesurez toujours les ingrédients liquides dans le gobelet doseur transparent avec les repères gradués fourni. Pour 1 cuillerée à café, remplir au ras et aplanir le dessus. Pour 1/2 cuillerée à café, mesurez jusqu'à la ligne (voir le 6).

interrupteur marche / arrêt

Votre machine à pain de Kenwood est équipée d'un interrupteur MARCHE / ARRÊT et ne fonctionne pas tant que l'interrupteur n'est pas actionné en position de « marche ».

- Brancher l'appareil et presser l'interrupteur MARCHE / ARRÊT (12) situé au dos de la machine à pain - 3:00 apparaît alors dans la fenêtre d'affichage.
- Toujours éteindre et débrancher votre machine à pain après l'utilisation.

utilisation de votre machine à pain (veuillez vous référer aux grilles d'illustrations)

- 1 Otez le moule à pain en tenant la poignée et en tournant le moule vers l'arrière de l'appareil.
- 2 Mettez le bras pétrisseur en place.
- 3 Versez l'eau dans le moule à pain.
- 4 Ajoutez le reste des ingrédients dans le moule en respectant l'ordre indiqué dans les recettes. Assurez-vous que tous les ingrédients ont été pesés avec précision.
- 5 Des quantités incorrectes risquent de donner de mauvais résultats.
- 6
- 7
- 8 Insérez le moule dans la chambre de cuisson en le plaçant en biais, orienté vers l'arrière de l'appareil. Verrouillez ensuite le moule en le tournant vers l'avant de la machine.
- 9 Abaissez la poignée et fermer le couvercle.
- 10 Brancher et mettre en marche l'unité qui émet alors un bip et prend implicitement la valeur de réglage 1 (3:00).
- 11 Appuyez sur le bouton MENU (17) jusqu'à ce que le programme désiré soit sélectionné. Par défaut, la machine à pain est réglée sur 900 g & croûte moyennement dorée.
- 12 Sélectionnez le poids du pain en appuyant sur le bouton POIDS DU PAIN (18) jusqu'à ce que le témoin se place sur le poids désiré.
- 13 Sélectionnez la couleur de la croûte en appuyant sur le bouton CROUTE (20) jusqu'à ce que le témoin se place sur la couleur désirée (claire, moyennement dorée ou dorée).
- 14 Appuyez sur le bouton MARCHE (21). Pour arrêter ou annuler le programme, appuyez sur le bouton MARCHE/ARRÊT pendant 2 à 3 secondes.
- 15 A la fin du programme de cuisson, débranchez la machine à pain.
- 16 Utilisez le crochet fourni pour soulever la poignée du moule.
- 17 Otez le moule à pain en tenant la poignée et en tournant le moule vers l'arrière de l'appareil.
Toujours utiliser des gants de cuisine car la poignée du moule peut être très chaude.
- 18 Démoulez le pain sur une grille.
- 19 Laissez le pain refroidir pendant 30 minutes au minimum, pour permettre à la vapeur de s'échapper, avant de le trancher. Le pain sera difficile à couper s'il est encore chaud.
- 20 Nettoyez le moule et le bras pétrisseur immédiatement après l'utilisation (voir le paragraphe entretien et nettoyage).

Programme		Durée totale du programme		Signal d'ajout d'ingrédients *		Maintien au chaud **
		900g	700g	900g	700g	
1 Pain normal	Recettes à base de farine blanche ou de farine de blé entier	3:00	2:53	2:20	2:15	60
2 Pain français	Produit une croûte plus croustillante, adapté pour les pains allégés en sucres et en graisses	3:50	3:40	2:35	2:30	60
3 Blé entier	Recettes à base de farine de blé entier ou de farine complète	3:40	3:32	-		60
4 Gâteaux	Pâtes à frire & gâteaux sans levure	1:40		-		60
5 Pain sucré	Recette de pain très concentré en sucre	2:55	2:50	2:30	2:25	60
6 Rapide 700g	Produit des pains en moins d'une heure. Les pains nécessitent de l'eau chaude, plus de levure et moins de sel.	0:58		-		60
7 Rapide 900g		0:58		-		60
8 Pâtes	Pâtes à travailler à la main et à cuire dans votre four.	1:30		-		-
9 Confitures	Pour confectionner des confitures.	1:20		-		-
10 Sans gluten	Pour l'utilisation de farines et de mélanges à pain sans gluten.	2:50		-		60
11 Sandwich	Croûte plus molle et texture plus dense.	3:00	2:55	2:04	1:59	60
12 Cuisson	Fonction de cuisson uniquement. Peut être également utilisé pour réchauffer ou rendre croustillants des pains déjà cuits et refroidis.	1:00		-		60

★ **Un signal retentit avant la fin du deuxième cycle de pétrissage pour permettre d'ajouter des ingrédients, si la recette le nécessite.**


★★ **La machine à pain se met automatiquement en mode maintien au chaud à la fin du cycle de cuisson. Elle reste sur ce mode pendant 1 heure environ, ou, jusqu'à ce que l'appareil soit éteint.**

programmateur

Le programmateur vous permet de différer le processus de fabrication du pain de 13 heures au maximum. La fabrication différée n'est pas recommandée pour les réglages 'pâtes', 'confitures', 'sans gluten' et 'rapide'.

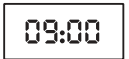
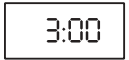
IMPORTANT : lorsque vous employez cette fonction de départ retardé, n'utilisez pas d'ingrédients périssables – des aliments qui se gâtent à température ambiante ou à une température supérieure, comme le lait, les œufs, le fromage, le yaourt, etc.

Pour utiliser le PROGRAMMATEUR, placez simplement les ingrédients dans la cuve à pain et verrouillez la cuve dans la machine à pain. Puis :

- Appuyez sur la touche MENU  pour choisir le programme requis.
- Sélectionnez la couleur de croûte et la taille souhaitées.
- Réglez ensuite le minuteur.
- Appuyez sur le bouton PROGRAMMATEUR (+) et maintenez-le enfoncé jusqu'à ce que la durée totale désirée s'affiche. Si vous dépassez la durée désirée, appuyez sur le bouton PROGRAMMATEUR (-) pour revenir en arrière. Lorsque vous appuyez sur le bouton du programmateur, celui-ci se déplace par incréments de 10 minutes. Vous n'avez pas besoin de calculer la différence entre la durée du programme sélectionné et le nombre total d'heures requises, puisque la machine à pain inclut automatiquement la durée du cycle réglé.

Exemple : pain fini souhaité à 7 h 00. Si la machine à pain est programmée avec les ingrédients de la recette requise à 22 h 00 la veille, la durée totale à définir sur le minuteur est de 9 heures.

- Appuyez sur MENU pour choisir votre programme, par exemple 1, et utilisez le bouton (+) du programmateur pour faire défiler par tranches de 10 minutes, afin d'afficher '9:00'. Si vous dépassez '9:00', appuyez simplement sur le bouton (-) du programmateur jusqu'à ce que vous reveniez à '9:00'.
- Appuyez sur le bouton marche et les deux points de l'affichage (:) clignotent. Le programmateur commence alors le décompte.
- Si vous faites une erreur ou si vous désirez changer la durée programmée, appuyez sur le bouton MARCHE/ARRET jusqu'à ce qu'un bip soit émis. Vous pouvez alors régler la durée.



protection en cas de coupure de courant

Votre machine à pain est équipée d'une protection contre les coupures de courant de 15 minutes, en cas de débranchement accidentel de l'appareil en cours de fonctionnement. L'appareil continue le programme s'il est rebranché immédiatement.

entretien et nettoyage

IMPORTANT : débranchez toujours l'appareil et laissez-le refroidir avant de le nettoyer.

- N'immergez pas le corps de l'appareil ou la base externe du bol à pain dans de l'eau.
- Ne pas nettoyer le moule dans un lave-vaisselle. Cela risque d'altérer ses propriétés anti-adhésives.
- N'utilisez pas des tampons à récurer abrasifs ou des objets en métal.
- Nettoyez le bol à pain et le pétrin après chaque usage en remplissant en partie le bol d'eau savonneuse tiède. Laissez tremper pendant 5 à 10 minutes. Pour sortir le pétrin, tournez dans le sens des aiguilles d'une montre et soulevez. Finissez de nettoyer avec un chiffon propre, rincez et séchez.

Si pétrin ne peut pas être retiré au bout de 10 minutes, soulevez l'axe depuis le dessous de la cuve et effectuez un mouvement de va-et-vient jusqu'à ce qu'il se débloque.

- Utilisez un chiffon humide doux pour nettoyer les surfaces externes et internes de la machine, si besoin est.

service après-vente

- Si le cordon de votre machine à pain est endommagé, il doit être remplacé pour des raisons de sécurité par Kenwood ou par un Réparateur agréé de Kenwood.

Si vous avez besoin d'aide pour :

- Utiliser votre machine
 - Entretien ou réparer votre machine
- Contactez le magasin où vous avez acheté votre machine à pain.

Recettes (ajoutez les ingrédients dans le moule en respectant l'ordre indiqué dans les recettes)

Pain blanc basique

Programme 1

Ingrédients	900g	700g
Eau	320ml	270ml
Huile végétale	1½ c à soupe	1 c à soupe
Farine à pain blanc	500g	400g
Lait en poudre écrémé	5 c à café	1 c à soupe
Sel	1½ c à café	1 c à café
Sucre	1 c à soupe	2 c à café
Levure déshydratée facile à mélanger	7g (2¼ café)	1½ c à café

c à café = cuillère à café de 5 ml

c à soupe = cuillère à soupe de 15 ml

Pain complet aux graines Programme 3

Ingrédients	900g	700g
Eau	310ml	250ml
Huile végétale	1½ c à soupe	1 c à soupe
Farine de blé entier panifiable	450g	370g
Farine blanche panifiable non blanchie	50g	30g
Lait écrémé en poudre	5 c à café	3 c à café
Sel	1 c à café	1 c à café
Sucre	4 c à café	3 c à café
Levure sèche	1 c à café	1 c à café
Graines de citrouille	1 c à soupe	2 c à café
Graines de tournesols	1 c à soupe	2 c à café
Graines de pavot	2 c à café	2 c à café
Graines de sésame légèrement grillées	2 c à café	2 c à café

1. Ajoutez les graines lorsque l'appareil émet un signal au cours du second cycle de pétrissage.

Brioche

Programme 5

Ingrédients	900g	700g
Lait	200ml	160ml
Oeufs	2	1
Beurre fondu	140g	80g
Farine blanche panifiable non blanchie	500g	400g
Sel	1½ c à café	1 c à café
Sucre	60g	40g
Levure sèche	2 c à café	1½ c à café

Pain blanc rapide

Programme 6-7

Ingrédients	900g	700g
Eau tiède (32-35°C)	320ml	250ml
Farine à pain blanc	500 g	400g
Lait en poudre écrémé	5 c à café	4 c à café
Sel	1 c à café	1 c à café
Sucre	4 c à café	3 c à café
Beurre	25g	15g
Levure déshydratée facile à mélanger	4 c à café	3 c à café

Petits pains

Programme 8

Ingrédients	Pour 12 petits pains
Eau	240ml
Oeuf	1
Farine pour pain blanc	450g
Sel	1 c à café
Sucre	2 c à café
Beurre	25g
Levure déshydratée facile à mélanger	1½ c à café
Pour la garniture	
Un jaune d'oeuf battu avec 15 ml (1 cuillerées à soupe) d'eau	1
Quelques graines de sésame et de pavot, pour saupoudrer (facultatif)	

- 1 A la fin du cycle, placez la pâte sur une surface légèrement farinée. Rabattez doucement la pâte et divisez-la en 12 morceaux identiques.
- 2 Après l'avoir façonnée, laissez la pâte reposer une dernière fois avant de la cuire dans votre four.

guide de dépannage


Voici quelques exemples de problèmes types que vous risquez de rencontrer lorsque vous faites du pain dans votre machine à pain. Lisez bien tous ces problèmes, leur cause possible et l'action à entreprendre pour y remédier et réussir vos recettes.

PROBLEME	POSSIBLE CAUSE	SOLUTION
TAILLE ET FORME DU PAIN		
1. Le pain ne lève pas assez	<ul style="list-style-type: none"> • Les pains complets ne lèveront pas autant que les pains blancs car la farine complète contient moins des protéines qui forment du gluten. • Il n'y a pas assez de liquide. • Il manque le sucre ou il n'y en a pas assez • Vous avez utilisé une farine qui ne convient pas. • Vous avez utilisé une levure qui ne convient pas. • Il n'y a pas assez de levure ou bien la levure est trop vieille. • Le cycle rapide pour le pain a été choisi • La levure et le sucre sont entrés en contact avant le cycle de pétrissage. 	<ul style="list-style-type: none"> • Situation normale, sans solution. • Ajoutez 15 ml/3 cuillerées à café de liquide • Assemblez les ingrédients dans l'ordre indiqué dans la recette. • Il se peut que vous ayez utilisé de la farine blanche au lieu de la farine forte spéciale pour pain qui a une plus forte teneur en gluten. • N'utilisez pas de la farine à tout faire. • Pour de meilleurs résultats, utilisez uniquement de la levure à action rapide « facile à mélanger ». • Mesurez la quantité recommandée et vérifiez la date limite d'utilisation sur l'emballage. • Ce cycle produit des pains plus courts. Cela est normal. • Assurez-vous qu'ils restent séparés quand vous les placez dans le bol à pain.
2. Les pains sont plats et ne lèvent pas.	<ul style="list-style-type: none"> • La levure a été oubliée. • La levure est trop vieille. • Le liquide est trop chaud. • Vous avez ajouté trop de sel. • Si vous utilisez la minuterie, la levure s'est mouillée avant que le procédé de fabrication du pain n'ait commencé. 	<ul style="list-style-type: none"> • Ajoutez les ingrédients dans l'ordre indiqué dans la recette. • Vérifiez la date limite d'utilisation. • Utilisez du liquide à la température correspondant à la sélection du pain choisi • Utilisez la quantité recommandée. • Placez les ingrédients secs dans les coins du bol à pain et faites un petit creux au milieu des ingrédients secs pour la levure afin de la protéger des liquides.
3. Le haut est gonflé - le pain ressemble à un champignon.	<ul style="list-style-type: none"> • Il y a trop de levure. • Il y a trop de sucre. • Il y a trop de farine. • Il n'y a pas assez de sel. • Le temps est tiède et humide. 	<ul style="list-style-type: none"> • Réduisez la levure de ¼ de cuillerée à café. • Réduisez le sucre de 1 cuillerée à café. • Réduisez la farine de 6 à 9 cuillerées à café. • Utilisez la quantité de sel recommandée dans la recette. • Réduisez le liquide de 15 ml/3 cuillerées à café, et la levure de ¼ de cuillerée à café.
4. Le haut et les côtés sont enfoncés.	<ul style="list-style-type: none"> • Il y a trop de liquide. • Il y a trop de levure. • Il est possible que la pâte ait levé trop rapidement à cause d'une forte humidité et d'un temps chaud. 	<ul style="list-style-type: none"> • Utilisez 15 ml/3 cuillerées à café de liquide en moins ou bien ajoutez un petit peu plus de farine. • Utilisez la quantité recommandée dans la recette ou essayez avec un cycle plus rapide. • Refroidissez l'eau ou ajoutez du lait sortant juste du réfrigérateur.

guide de depannage

PROBLEM	POSSIBLE CAUSE	SOLUTION
5. Le dessus est bosselé et noueux - il n'est pas lisse.	<ul style="list-style-type: none"> • Il n'y a pas assez de liquide. • Il y a trop de farine. • Le dessus des pains n'est pas toujours parfaitement formé mais cela n'affecte pas le goût très savoureux du pain. 	<ul style="list-style-type: none"> • Ajoutez 15ml/3 cuillerées à café de liquide • Mesurez la farine avec exactitude. • Assurez-vous que la pâte est préparée dans les meilleures conditions possibles.
6. Le pain s'est affaissé durant la cuisson.	<ul style="list-style-type: none"> • La machine était placée dans un courant d'air ou bien elle a été cognée ou secouée pendant que la pâte levait. • Le pain est plus gros que le bol à pain • Vous n'avez pas utilisé assez de sel ou vous l'avez oublié (le sel aide la pâte à ne pas trop lever). • Il y a trop de levure. • Le temps est tiède et humide. 	<ul style="list-style-type: none"> • Repositionnez le four à pain. • N'utilisez pas plus d'ingrédients que ce qui est indiqué pour les gros pains (max. 900g). • Utilisez la quantité de sel recommandée dans la recette. • Mesurez la levure avec exactitude. • Réduisez le liquide de 15ml/3 cuillerées à café et réduisez la levure de ¼ de cuillère à café.
7. Les pains sont irrégulièrement plus courts à une extrémité.	<ul style="list-style-type: none"> • La pâte est trop sèche et elle n'a pas pu lever régulièrement dans le bol à pain. 	<ul style="list-style-type: none"> • Ajoutez 15ml/3 cuillerées à café de liquide.
TEXTURE DU PAIN		
8. La texture est dense et lourde.	<ul style="list-style-type: none"> • Il y a trop de farine. • Il n'y a pas assez de levure. • Il n'y a pas assez de sucre. 	<ul style="list-style-type: none"> • Mesurez la farine avec exactitude. • Mesurez la quantité correcte de levure recommandée. • Mesurez le sucre avec exactitude.
9. La texture est aérée, grossière et à trous.	<ul style="list-style-type: none"> • Le sel a été omis. • Il y a trop de levure. • Il y a trop de liquide. 	<ul style="list-style-type: none"> • Ajoutez les ingrédients dans l'ordre indiqué dans la recette. • Mesurez la quantité correcte de levure recommandée. • Réduisez le liquide de 15 ml/ 3 cuillerées à café.
10. Le centre du pain est cru, il n'est pas assez cuit.	<ul style="list-style-type: none"> • Il y a trop de liquide. • Il y a eu une panne de courant pendant la cuisson. • Les quantités étaient trop grandes et la machine n'a pas pu les faire cuire. 	<ul style="list-style-type: none"> • Réduisez le liquide de 15 ml/ 3 cuillerées à café. • S'il y a une panne de courant pendant la cuisson, la machine ne se rallumera pas quand le courant revient. Il vous faudra sortir le pain encore cru du bol à pain et recommencer avec des ingrédients frais. • Réduisez les quantités jusqu'à obtention des quantités maximales permises.
11. Il est difficile de couper le pain en tranches, le pain colle.	<ul style="list-style-type: none"> • Le pain a été coupé en tranches quand il était encore trop chaud. • Le couteau utilisé n'est pas adapté pour le pain. 	<ul style="list-style-type: none"> • Laissez le pain refroidir sur une grille pendant au moins 30 minutes pour dégager la vapeur avant de le couper en tranches. • Utilisez un bon couteau à pain.

guide de dépannage

PROBLEME	POSSIBLE CAUSE	SOLUTION
COULEUR ET EPAISSEUR DE LA CROUTE		
12. La croûte est trop foncée/trop épaisse.	<ul style="list-style-type: none"> • Vous avez utilisé le réglage pour pain à croûte BIEN CUITE. 	<ul style="list-style-type: none"> • Utilisez un réglage Pâle ou Moyenne la prochaine fois.
13. Le pain est brûlé.	<ul style="list-style-type: none"> • La machine ne fonctionne pas bien. 	<ul style="list-style-type: none"> • Référez-vous à la section "Service Après-Vente"
14. La croûte est trop pâle.	<ul style="list-style-type: none"> • Le pain n'a pas cuit assez longtemps. • Il n'y a pas de lait en poudre ou de lait frais dans la recette. 	<ul style="list-style-type: none"> • Prolongez le temps de cuisson. • Ajoutez 15 ml/3 cuillères à café de lait en poudre ou remplacez 50 % de l'eau avec du lait pour que la croûte soit plus bronzée.
PROBLEMES AVEC LE BOL A PAIN		
15. Le pétrin ne peut pas être sorti de la machine.	<ul style="list-style-type: none"> • Vous devez ajouter de l'eau dans le bol à pain et laisser tremper le pétrisseur avant de pouvoir le sortir. 	<ul style="list-style-type: none"> • Suivez les instructions de lavage après l'usage. Il vous faudra parfois faire tourner légèrement le pétrin après l'avoir laissé tremper pour le dégager.
16. Le pain colle au bol/ est difficile à sortir.	<ul style="list-style-type: none"> • Cela peut se produire après un usage prolongé. 	<ul style="list-style-type: none"> • Frottez légèrement l'intérieur du bol à pain avec de l'huile végétale. • Référez-vous à la section "Service Après-Vente"
PROBLEMES MECANIKES		
17. La machine à pain ne fonctionne pas/le pétrin reste immobile.	<ul style="list-style-type: none"> • Machine à pain non mise en marche. • La cuve n'est pas correctement placée. • Le minuteur est sélectionné. 	<ul style="list-style-type: none"> • Vérifier que l'interrupteur marche / arrêt  est bien réglé en position de MARCHÉ. • Vérifiez que la cuve est verrouillée en bonne position. • La machine à pain ne se met en marche qu'une fois que le compte à rebours atteint l'heure de début du programme.
18. Les ingrédients ne sont pas mélangés.	<ul style="list-style-type: none"> • Vous n'avez pas mis la machine en marche. • Vous avez oublié de mettre le pétrin dans la cuve. 	<ul style="list-style-type: none"> • Après avoir programmé le panneau de commande, appuyez sur le bouton de démarrage pour mettre la machine en marche. • Assurez-vous toujours que le pétrin est sur son axe au fond de la cuve avant d'ajouter les ingrédients.
19. Il y a une odeur de brûlé quand la machine est en marche.	<ul style="list-style-type: none"> • Les ingrédients se sont renversés dans la machine. • La cuve a des fuites. • Les ingrédients dépassent la capacité de la cuve. 	<ul style="list-style-type: none"> • Faites attention de ne pas renverser les ingrédients quand vous les ajoutez dans la cuve. Les ingrédients peuvent brûler sur les éléments et provoquer la fumée. • Voir la section « Entretien et service après-vente » • N'utilisez pas plus d'ingrédients que les quantités recommandées dans la recette, et mesurez toujours les ingrédients avec exactitude.

guide de depannage

PROBLEM	POSSIBLE CAUSE	SOLUTION
20. La machine est débranchée par accident pendant le fonctionnement. Comment puis-je sauver le pain ?	<ul style="list-style-type: none"> • Si la machine est en cycle de pétrissage, retirez les ingrédients et recommencez. • Si la machine est en cycle de levée, retirez la pâte de la cuve, mettez-la en ou il n'y a plus de courant forme et placez-la dans un moule à pain graissé de 23 x 12,5 cm, couvrez et laissez-la lever jusqu'à ce qu'elle ait doublé de taille. Utilisez le programme Cuisson uniquement 12 ou faites cuire dans un four conventionnel préchauffé à 200 °/ repère 6 pendant 30 à 35 minutes ou jusqu'à l'obtention d'une couleur dorée. • Si la machine est en cycle de cuisson, utilisez le programme Cuisson uniquement 12 ou faites cuire dans un four conventionnel préchauffé à 200 °/repère 6 et retirez la grille supérieure. Retirez la cuve de la machine avec précaution et placez-la sur la grille inférieure dans le four. Faites cuire jusqu'à l'obtention d'une couleur dorée. 	
21. H:HH s'affiche et l'appareil ne s'allume pas.	<ul style="list-style-type: none"> • La chambre de la machine est trop chaude. 	<ul style="list-style-type: none"> • Débranchez la machine et laissez-la refroidir pendant 30 minutes.
22. E:EE s'affiche et l'appareil ne fonctionne pas.	<ul style="list-style-type: none"> • La machine à pain présente un dysfonctionnement. Erreur du capteur de température. 	<ul style="list-style-type: none"> • Voir la section « Entretien et service après-vente »

Deutsch

Bevor Sie die Bedienungsanleitung lesen, bitte Deckblatt mit Illustrationen auseinander klappen

vor Gebrauch Ihres Kenwood-Gerätes

- Lesen Sie diese Anleitung sorgfältig durch und bewahren Sie diese zur späteren Benutzung auf.
- Entfernen Sie alle Verpackungsteile und Etiketten, einschließlich des Kartons in der Backkammer.

Sicherheitshinweise

- Heiße Fläche nicht berühren. Die zugänglichen Flächen können im Gebrauch heiß werden. Zur Herausnehmen der Brotwanne immer Backhandschuhe tragen.
- Zum Verhindern von Ölsammlungen im Innern der Kammer, entfernen Sie den Broteinsatz immer aus der Maschine, bevor Sie die Zutaten hinzufügen. Zutaten die auf die Heizelemente spritzen können verbrennen und zu Rauchentwicklung führen.
- Dieses Gerät nicht verwenden, wenn Anzeichen von Schäden am Netzkabel sichtbar sind und wenn es fallengelassen wurde.
- Dieses Gerät, das Netzkabel oder den Netzstecker nicht in Wasser oder andere Flüssigkeiten tauchen.
- Nach Gebrauch und bevor Sie Teile einsetzen oder entfernen und vor dem Reinigen, immer Netzstecker ziehen.
- Das Netzkabel nicht über die Kante der Arbeitsfläche hängen oder heiße Flächen wie Gas- oder Elektroplatten berühren lassen.
- Benutzen Sie das Gerät nur auf einer flachen, hitzebeständigen Oberfläche
- Nach Herausnehmen der Backwanne die Hand nicht in den Backraum stecken.
- Keine sich bewegenden Teile im Brotbackautomat berühren.
- Die angegebenen Maximalmengen nicht überschreiten - dadurch kann der Brotbackautomat überlastet werden.
- Den Brotbackautomaten nicht in direktes Sonnenlicht, in die Nähe heißer Geräte oder in Zugluft stellen. Dies kann die Innentemperatur des Ofens und dadurch die Qualität der Ergebnisse beeinflussen.
- Wenn es zu einem Stromausfall kommt, nachdem die Zutaten bereits halb verarbeitet wurden, müssen Sie leider wieder von vorn anfangen.
- Dieses Gerät nicht im Freien verwenden.
- Den Brotbackautomaten nicht leer verwenden - dies kann das Gerät beschädigen.
- Die Backkammer nicht zur Aufbewahrung von Gegenständen oder Nahrungsmitteln benutzen.

- Die Dampfaustrittsöffnungen im Deckel NICHT abdecken; immer darauf achten, dass während des Betriebs der Brotbackautomat ausreichend belüftet ist.
- Gebrechliche Personen dürfen die Maschine nicht ohne Aufsicht benutzen.
- Kinder dürfen das Gerät weder benutzen, noch damit spielen.
- Verwenden Sie das Gerät nur für seinen vorgesehenen Zweck im Haushalt. Bei unsachgemäßer Benutzung oder Nichteinhaltung dieser Anweisungen übernimmt Kenwood keinerlei Haftung.

Vor dem Einschalten:

- Prüfen Sie, dass die auf dem Typenschild (auf der Unterseite des Backautomaten befindlich) angegebene Netzspannung mit der Spannung im Stromnetz übereinstimmt.
- Der Entsafter entspricht der EU-Richtlinie 89/336/EEC.

Vor der erstmaligen Verwendung des Brotbackautomaten:

- Alle Teile spülen (siehe Reinigung).

Legende

- ① Deckelgriff
- ② Sichtfenster
- ③ Tragegriff
- ④ Backeinsatz-Haken
- ⑤ Heizstab
- ⑥ Handgriff Innenbehälter
- ⑦ Kneter
- ⑧ Antriebswelle
- ⑨ Antriebskupplung
- ⑩ Messbecher
- ⑪ Doppelmesslöffel – 1 TL (tsp) & 1 EL (tbsp)
- ⑫ ein/aus Taste
- ⑬ Bedienfeld (Control Panel)
- ⑭ Anzeigefenster
- ⑮ Anzeige Krustenfarbe (hell, mittel, dunkel)
- ⑯ Anzeige Laibgröße
- ⑰ Menü-Wahltaste
- ⑱ Brotlaib-Wahltaste
- ⑲ Verzögerungs-Timer-Wahltaste
- ⑳ Krustenfarben-Wahltaste
- ㉑ Start/Stopp-Wahltaste

Zum Abmessen der Zutaten (siehe Abbildungen 3 bis 7)

Beste Ergebnisse erzielen Sie mit präzise abgemessenen Zutaten.



- Flüssige Zutaten Immer im mitgelieferten durchsichtigen Meßbecher mit Skalenteilung abmessen. Flüssigkeiten sollten gerade die Markierung am Becher erreichen, nicht darüber und nicht darunter (siehe 3).
- Flüssige Zutaten sollten immer Zimmertemperatur haben + 20°C , sofern Sie nicht den Schnellbackzyklus von 1 Stunde verwenden. Befolgen Sie die Anweisungen im Rezeptbuch.
- Messen Sie flüssige Zutaten immer mit dem mitgelieferten durchsichtigen Messbecher, der Markierungslinien aufweist. 1 Teelöffel entspricht einem gestrichenen Meßlöffel voll, für 1/2 Teelöffel füllen Sie den Meßlöffel bis zur Markierung (siehe 6).

ein/aus Taste

Ihr Kenwood Brotbackautomat ist mit einer Taste EIN/AUS ausgestattet und funktioniert erst nach Drücken der Taste „ein“.

- Nach Einstecken des Netzsteckers drücken Sie die Taste ON/OFF (17) auf der Rückseite des Brotbackautomaten – auf dem Display wird 3:00 angezeigt.
- Nach Verwendung Ihres Brotbackautomaten immer Netzstecker ziehen.

Gebrauchsanweisung für Ihren Brotbackautomaten (siehe Abbildungen)

- 1 Zum Herausnehmen des Backeinsatzes, heben Sie den Griff und drehen den Backeinsatz Richtung Automaten-Rückseite.
- 2 Setzen Sie den Kneteur ein.
- 3 Gießen Sie Wasser in den Backeinsatz.
- 4 Fügen Sie die restlichen Zutaten, in der auf dem Rezept angegebenen Reihenfolge, hinzu. Achten Sie darauf, dass alle Zutaten präzise abgewogen wurden, weil ungenaues Abmessen zu schlechten Ergebnissen führt.
- 5  
- 6 Zum Einsetzen des Backeinsatzes in den Ofen, richten Sie diesen im Winkel verdreht in Richtung Rückseite des Automaten. Verriegeln Sie den Backeinsatz, durch eine leichte Drehung nach vorne.
- 7 Senken Sie den Griff ab und schließen Sie den Deckel.
- 8 Nachdem der Netzstecker eingesteckt und der Brotbackautomat eingeschaltet ist – ertönt ein Piepton und die Standardeinstellung 1 (3:00) wird angezeigt.
- 9 Wählen Sie die MENÜ-Wahltaste (17) solange bis das gewünschte Programm angezeigt wird wurde. Der Brotbackautomat ist standardmäßig auf 900 g & und mittlere Krustenfarbe eingestellt.
- 10 Wählen Sie die Laibgröße durch Drücken der Wahl taste LAIBGRÖSSE (18) solange bis die Anzeige auf der gewünschten Laibgröße steht.
- 11 Wählen Sie die Krustenfarbe durch Drücken der Wahl taste KRUSTE (20) solange bis die Anzeige auf der gewünschten Farbe (hell, mittel, dunkel) steht.
- 12 Drücken Sie Wahl taste START (21). Zum Stoppen oder Abbrechen des Programms drücken Sie die Wahl taste START/STOPP für etwa 2 - 3 Sekunden.
- 13 Ziehen Sie den Netzstecker, sobald der der Backvorgang abgeschlossen ist
- 14 Verwenden Sie den mitgelieferten Haken zum Anheben des Griffes.
- 15 Um den Backeinsatz heraus zu nehmen, heben Sie den Griff und drehen Sie den Backeinsatz nach hinten. **Verwenden Sie stets Topflappen, da der Griff heiß ist.**
- 16 Kippen Sie das Brot aus dem Einsatz auf einen Rahmen und lassen es abkühlen.
- 17 Vor dem Aufschneiden, lassen Sie das Brot mindestens 30 Minuten, damit Dampf entweichen kann, abkühlen. Heißes Brot ist schwer zu schneiden.
- 18 Reinigen Sie den Backeinsatz und Kneteur sofort nach Gebrauch (siehe Pflege und Reinigung).

Programmübersicht Brot/Teig

Programm		Gesamt Programm- dauer		Alarm zum Hinzufügen von Zutaten *		Warm halten **
		900g	700g	900g	700g	
1 Basic	Rezepte für Weiß- oder Schwarzbrot	3:00	2:53	2:20	2:15	60
2 französisch	Ergibt eine knusprigere Kruste und eignet sich für Brote mit niedrigem Fett- und Zuckeranteil	3:50	3:40	2:35	2:30	60
3 Vollkorn	Vollkorn- bzw. Vollkornmehl-Rezepte	3:40	3:32	-	-	60
4 Kuchen	Brote und Kuchen ohne Hefe	1:40		-		60
5 süß	Brote mit hohem Zuckeranteil	2:55	2:50	2:30	2:25	60
6 schnell 700g	Bäckt Brote in weniger als 1 Stunde. Brote benötigen Warmwasser, extra Hefe und weniger Salz.	0:58		-		60
7 schnell 900g		0:58		-		60
8 Teig	Teig zum selber formen und backen im eigenen Ofen.	1:30		-		-
9 Marmelade	Zur Herstellung von Marmelade	1:20		-		-
10 glutenfrei	Für glutenfreies Mehl und glutenfreie Brotmischungen.	2:50		-		60
11 Sandwich	Weichere Kruste und härtere Brote (schwerer Teig)	3:00	2:55	2:04	1:59	60
12 backen	Nur backen. Kann aber auch zum Aufwärmen oder Auffrischen bereits gebackener und abgekühlter Brote verwendet werden.	1:00		-		60

★ **Wenn vor dem zweiten Knetvorgang weitere Zutaten hinzugefügt werden müssen, ertönt ein akustisches Signal.**


★★ **Nach Beendigung des Backzyklus schaltet der Brotbackautomat automatisch in den Warmhaltemodus. Er bleibt bis zu einer Stunde in diesem Modus oder bis der Automat ausgeschaltet wird, welches eher eintritt.**

Verzögerungs-Timer

Der Verzögerungs-Timer ermöglicht ein Vorprogrammieren des Backprozesses von bis zu 13 Stunden. Vorprogrammierung wird zum Backen für Hefebrote, Marmelade, glutenfreies Brot oder Schnellbackstufe nicht empfohlen.

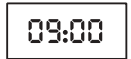
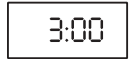
WICHTIG: Für diese Timer-Funktion dürfen Sie keine verderblichen Zutaten verwenden, d.h. keine Zutaten, die bei Raumtemperatur oder höheren Temperaturen leicht schlecht werden, wie z.B. Milch, Eier, Käse und Joghurt usw.

Für die VERZÖGERUNGS-TIMER geben Sie die Zutaten einfach in den Brotbackbehälter und arretieren den Behälter im Brotbackautomaten. Dann:

- Drücken Sie die MENÜ Taste  , um die gewünschte Einstellung zu wählen.
- Wählen Sie die Krustenfarbe und die gewünschte Brotgröße.
- Stellen Sie den Timer ein.
- Drücken Sie die TIMER -Wahltaste (+) und halten diese solange gedrückt, bis die gewünschte Gesamtzeit angezeigt wird. Springen Sie aus Versehen mal über die gewünschte Backzeit hinaus, drücken Sie die TIMER-Wahltaste (-). Beim Drücken bewegt sich die Timertaste im Zehnerschritt. Der Brotbackautomat errechnet für Sie die Differenz zwischen der ausgewählten Programmzeit und der benötigten Gesamtbackdauer und fügt den Backzyklus automatisch ein.

Beispiel: Das fertige Brot wird um 7 Uhr benötigt. Wenn der Brotbackautomat mit den erforderlichen Zutaten um 22 Uhr am Vorabend vorbereitet wird, muss auf dem Timer eine Gesamtzeit von 9 Stunden eingestellt werden.

- Zur Auswahl des gewünschten Programmes, drücken Sie die Wahl taste MENU, z.B. 1 und Drücken die Timer-Wahltaste (+), welche im 10-er Schritt durchscrollt bis die ‚9:00‘ angezeigt wird. Sollten Sie die ‚9:00‘ versehentlich überspringen, drücken Sie die Timer-Wahltaste (-) bis die ‚9:00‘ erneut angezeigt wird.
- Drücken Sie die Start-Taste. Das (:) blinkt auf. Der Timer beginnt mit dem Countdown.
- Haben Sie sich vertan oder möchten Sie die Einstellungen korrigieren, drücken Sie die START/STOPP-Taste solange bis ein Piepton erklingt. Dann können Sie die Zeit zurücksetzen.



Unterbrechung der Stromzufuhr

Ihr Brotbackautomat hat einen 15-minütigen Stromunterbrechungs-Schutz, falls versehentlich der Netzstecker während des Betriebs herausgezogen wird. Der Automat setzt den Programmablauf sofort nach Einstecken wieder fort.

Reinigung und Pflege

WICHTIG: Vor dem Reinigen den Netzstecker ziehen und den Brotbackautomaten auskühlen lassen.

- Den Backautomaten oder die Außenseite des Backbehälters nicht in Wasser tauchen.
- Reinigen Sie den Backeinsatz niemals in einer Spülmaschine. Die Antihafbeschichtung des Backeinsatzes könnte beschädigt werden und Brot kann beim Backen festkleben.
- Keine Scheuermittel oder Metallkissen verwenden.
- Nach jeder Verwendung den Backbehälter und das Knetwerk reinigen. Dazu den Backbehälter teilweise mit warmer Seifenlauge füllen und 5 - 10 Minuten einweichen. Das Knetwerk im Uhrzeigersinn drehen und herausnehmen. Mit einem weichen Tuch reinigen, ausspülen und anschließend abtrocknen.

Wenn der Knethaken nach 10 Minuten nicht entfernt werden kann, drehen Sie den Schaft an der Unterseite des Behälters vor und zurück, bis der Knethaken frei ist.

- Wenn nötig, den Backautomaten mit einem weichen feuchten Tuch außen und innen abwischen.

Kundendienst

- Wenn das Netzkabel Ihres Brotbackautomaten beschädigt ist, darf es aus Sicherheitsgründen nur von Kenwood oder einer autorisierten Werkstatt ausgewechselt werden.
- Bei allen Fragen und Problemen wenden Sie sich bitte an den Händler, bei dem Sie den Brotbackautomaten gekauft haben.

Rezepte (fügen Sie die Zutaten in der auf dem Rezept angegebenen Reihenfolge hinzu).

Weißbrot-Grundrezept **Programm 1**

Zutaten	900g	700g
Wasser	320ml	270ml
Pflanzliches Öl	1½ EL	1EL
Weizenmehl	500g	400g
Milchpulver	5 EL	1 TL
Salz	1½ TL	1½TL
Zucker	1 TL	2 EL
Trockenhefe	7g (2¼ TL)	1½ TL

TL = 5 ml Teelöffel

EL = 15 ml Esslöffel

Vollkornbrot **Programm 3**

Zutaten	900g	700g
Wasser	310 ml	250 ml
Pflanzliches Öl	1½ EL	1EL
Vollkornmehl	450g	370g
Ungebleichtes Weizen-Weißmehl	50g	30g
Milchpulver aus entrahmter Milch	5TL	3TL
Salz	1TL	1TL
Zucker	4TL	3TL
getrocknete Hefe	1TL	1TL
Kürbiskerne	1EL	2TL
Sonnenblumenkerne	1EL	2TL
Mohn(samen)	2TL	2TL
Leicht geröstete Sesamsamen	2TL	2TL

1 Sobald ein akustisches Signal vor dem zweiten Knetvorgangs ertönt, fügen Sie die Körner hinzu.

Brioche (Brot) **Programm 5**

Zutaten	900g	700g
Milch	200ml	160ml
Eier	2	1
Butter, geschmolzen	140g	80g
Ungebleichtes Weizen-Weißmehl	500g	400g
Salz	1½ TL	1 TL
Zucker	60g	40g
Trockenhefe	2 TL	1½ TL

Schnelles Weißbrot **Programm 6-7**

Zutaten	900g	700g
Wasser, lauwarm (32-35°C)	320ml	250ml
Weizenmehl	500g	400g
Milchpulver	5 TL	4 TL
Salz	1 TL	1 TL
Zucker	4 TL	3 TL
Butter	25g	15g
Trockenhefe	4 TL	3 TL

Brötchen **Programm 8**

Zutaten	Ergibt 12 Brötchen
Wasser	240ml
Ei	1
Weizenmehl	450g
Salz	1 TL
Zucker	2 TL
Butter	25g
Trockenhefe	1½ TL
Für die Glasur:	
Eigelb, mit 3 TL (15 ml) Wasser verquirt	1
Sesam und Mohn nach Geschmack	

- 1 Am Ende des Zyklus den Teig auf eine leicht bemehlte Fläche geben, etwas zurückklopfen und in 12 gleich große Stücke teilen.
- 2 Nach dem Formen, lassen Sie den Teig noch ein letztes Mal gehen und backen ihn dann im Backofen.

Fehlersuchanleitung

Nachfolgend finden Sie einige typische Probleme, die beim Backen von Brot in Ihrem Brotbackautomaten auftreten können. Die Tabelle enthält die Fehler und die möglichen Ursachen, sowie für jede Ursache eine Maßnahme zur Behebung.

PROBLEM	MÖGLICHE URSACHE	LÖSUNG
GRÖSSE UND FORM DES LAIBS		
1. Brot geht nicht genug	<ul style="list-style-type: none"> • Vollkornbrote sind niedriger als Weizenbrote, weil sie weniger Gluten enthalten. • Nicht genug Flüssigkeit. • Kein oder zu wenig Zucker. • Falsches Mehl verwendet • Falsche Hefe verwendet • Nicht genug oder zu alte Hefe • Schnellprogramm gewählt • Hefe und Zucker kamen in Kontakt, bevor das Kneten begann. 	<ul style="list-style-type: none"> • Normal, keine Lösung • Flüssigkeitsmenge um 15 ml erhöhen. • Zutaten laut Rezept bereit stellen. • Einfaches Weizenmehl mit höheren Glutengehalt verwendet. • Für beste Ergebnisse sollten Sie Trockenhefe verwenden. • Empfohlene Menge abmessen, vorher Verfallsdatum überprüfen. • Normal - dieser Zyklus ergibt kürzere Laibe. • Darauf achten, daß Sie bei Zugabe in den Backbehälter getrennt bleiben.
2. Flache Laibe, nicht gegangen	<ul style="list-style-type: none"> • Hefe vergessen. • Hefe zu alt. • Flüssigkeit zu heiß. • Zuviel Salz zugegeben. • Bei Verwendung des Timers: Hefe wurde feucht, bevor der Knetprozess begann. 	<ul style="list-style-type: none"> • Zutaten laut Rezept bereit stellen. • Auf Verfallsdatum achten. • Flüssigkeit mit der für das gewählte Programm richtigen Temperatur verwenden. • Empfohlene Menge verwenden. • Trockene Zutaten in die Ecken des Backbehälters geben und für die Hefe eine Mulde in die mitte der trockenen Zutaten drücken, um sie vor Flüssigkeiten zu schützen.
3. Oberfläche eingefallen, pilzförmiges Aussehen.	<ul style="list-style-type: none"> • Zuviel Hefe. • Zuviel Zucker. • Zuviel Mehl. • Nicht genug Salz. • Warmes, feuchtes Wetter. 	<ul style="list-style-type: none"> • 1/4 TL weniger Hefe nehmen. • 1 TL weniger Zucker nehmen. • 6-9 TL weniger Mehl nehmen. • Die im Rezept empfohlene Menge Salz verwenden. • 3 TL (15 ml) weniger Flüssigkeit und 1/4 TL weniger Hefe nehmen.
4. Oberseite und Seiten eingefallen	<ul style="list-style-type: none"> • Zuviel Flüssigkeit. • Zuviel Hefe. • Durch warmes Wetter und hohe Luftfeuchtigkeit kann der Teig zu schnell gegangen sein. 	<ul style="list-style-type: none"> • Beim nächsten Mal 3 TL (15 ml) weniger Flüssigkeit oder etwas mehr Mehl. • Menge laut Rezept verwenden, oder das nächste Mal ein kürzeres Backprogramm wählen. • Kaltes Wasser oder Milch direkt aus dem Kühlschrank verwenden.
5. Oberfläche nicht glatt	<ul style="list-style-type: none"> • Zuwenig Flüssigkeit. • Zuviel Mehl. • Die Oberfläche ist vielleicht nicht immer perfekt, dies hat jedoch keinen Einfluß auf den Geschmack. 	<ul style="list-style-type: none"> • 3 TL (15 ml) mehr Flüssigkeit. • Mehlmenge genau abmessen. • Den Teig unter bestmöglichen Bedingungen ansetzen.

Fehlersuchanleitung

PROBLEM	MÖGLICHE URSACHE	LÖSUNG
6. Fällt beim Backen zusammen.	<ul style="list-style-type: none"> •Während des Gehens stand die Maschine im Zug oder wurde geschubst oder gestoßen. •Kapazität des Backbehälters überschritten. •Nicht genug oder kein Salz (Salz hilft, damit der Teig nicht zu stark geht). •Zu viel Hefe. •Warmes, feuchtes Wetter. 	<ul style="list-style-type: none"> •Backautomaten an anderer Stelle aufstellen. •Verwenden Sie für große Brote (max. 900g) nicht mehr Zutaten als vorgegeben. •Salzmenge nach Rezept. •Hefe genau abmessen. •3 TL (15 ml) weniger Flüssigkeit und 1/4 TL weniger Hefe nehmen.
7. Laib an einem Ende ungleichmäßig kürzer.	•Teig zu trocken und konnte in der Wanne nicht gleichmäßig aufgehen.	•3 TL (15 ml) mehr Flüssigkeit nehmen.
STRUKTUR DES BROTLAIS		
8. Schwer und fest.	<ul style="list-style-type: none"> •Zuviel Mehl. •Zuwenig Hefe. •Zuwenig Zucker. 	<ul style="list-style-type: none"> •Mengen genau abmessen. •Richtige Menge der empfohlenen Hefe abmessen. •Genau abmessen.
9. Offene, grobe Krume, löchrig.	<ul style="list-style-type: none"> •Salz vergessen. •Zuviel Hefe. •Zuviel Flüssigkeit. 	<ul style="list-style-type: none"> •Zutaten nach Rezept bereitstellen. •Richtige Menge der empfohlenen Hefe abmessen. •3 TL (15 ml) weniger Flüssigkeit.
10. Klitsch, nicht durchgebacken.	<ul style="list-style-type: none"> •Zuviel Flüssigkeit. •Stromausfall während des Backens. •Mengen waren zu groß für die Maschine. 	<ul style="list-style-type: none"> •3 TL (15 ml) weniger Flüssigkeit. •Bei einem Stromausfall während des Backens bleibt der Backautomat auch Wiederkehr des Stroms ausgeschaltet. Sie müssen das ungebackene Brot aus den Backbehälter nehmen und mit frischen Zutaten neu beginnen. •Mengen auf die maximal zulässigen Mengen reduzieren.
11. Brot ist sehr klebrig, läßt sich schlecht schneiden.	<ul style="list-style-type: none"> •Beim Schneiden noch zu heiß. •Falsches Messer. 	<ul style="list-style-type: none"> •Vor dem Schneiden das Brot auf einem Gitterrost mindestens 30 Minuten abkühlen und ausdampfen lassen. •Ein gutes Brotmesser verwenden.
FARBE UND DICKE DER KRUSTE		
12. Kruste zu dunkel/zu dick.	•Krusteneinstellung DUNKEL verwendet.	•Verwenden Sie beim nächsten Mal die Einstellung hell oder mittel.
13. Laib ist verbrannt.	•Brotbackautomat defekt.	•Siehe "Kundendienst".
14. Kruste zu hell.	<ul style="list-style-type: none"> •Brot wurde nicht lange genug gebacken. •Rezept enthält kein Milchpulver oder Milch. 	<ul style="list-style-type: none"> •Backzeit verlängern. •Für bessere Bräunung 15 ml (3 TL) Milchpulver zugeben, oder 50% des Wassers durch Milch ersetzen.
15. Knethaken läßt sich nicht herausnehmen.	•Wasser in den Backbehälter geben und einweichen lassen, dann läßt sich Knethaken herausnehmen.	•Nach der Verwendung nach Vorschrift reinigen. Eventuell nach dem Einweichen das Knetwerk etwas drehen.
16. Brot klebt in dem Brotbackbehälter /läßt sich nur schwer herausnehmen.	•Kann bei längerer Verwendung passieren.	<ul style="list-style-type: none"> •Die Innenseite des Behälters mit etwas Pflanzenöl einpinseln. •Siehe "Kundendienst".

guide de depannage

PROBLEME	MÖGLICHE URSACHE	LÖSUNG
MASCHINENMECHANIK		
17. Brotbackgerät nicht in Betrieb / Knethaken bewegt sich nicht.	<ul style="list-style-type: none"> • Brotbackautomat ist nicht eingeschaltet • Brotbackbehälter nicht korrekt positioniert. • Timer-Funktion gewählt. 	<ul style="list-style-type: none"> • Überprüfen Sie, ob die Taste ein/aus @ auf EIN steht. • Prüfen Sie, dass der Brotbackbehälter eingerastet ist. • Der Brotbackautomat beginnt erst dann, wenn der Countdown die Startzeit des Programms erreicht hat.
18. Zutaten wurden nicht vermischt.	<ul style="list-style-type: none"> • Backautomat wurde nicht gestartet. • Vergessen, den Knethaken einzusetzen. 	<ul style="list-style-type: none"> • Nach der Programmauswahl mit der START-Taste den Backautomaten ein schalten. • Darauf achten, dass der Knethaken auf der Welle im Boden des Backbehälters sitzt, bevor die Zutaten zugegeben werden.
19. Während des Betriebs riecht es verbrannt.	<ul style="list-style-type: none"> • Zutaten sind in den Backraum übergelaufen • Backwanne undicht. • Fassungsvermögen der Backwanne überschritten. 	<ul style="list-style-type: none"> • Beim Einfüllen in die Backwanne die Zutaten nicht verschütten. Die Zutaten können auf dem Heizelement verbrennen. • Siehe Abschnitt "Service und Kundendienst". • Die in den Rezepten angegebenen Mengen genau abmessen und verwenden.
20. Während des Betriebs wurde die Maschine versehentlich ausgeschaltet, oder der Strom fiel aus. Wie kann ich das Brot retten?.	<ul style="list-style-type: none"> • Wenn sich der Automat im Knetzyklus befindet, werfen Sie die Zutaten weg und beginnen erneut. • Wenn sich der Automat im Gehzyklus befindet, nehmen Sie den Teig aus dem Brotbackbehälter, formen Sie ihn und legen Sie ihn in eine gefettete Kastenform (23 x 12,5 cm). Decken Sie die Form ab und lassen Sie den Teig aufgehen. Verwenden Sie die Einstellung Backzyklus 12 oder backen Sie das Brot in einem vorgeheizten konventionellen Ofen bei 200°C/400°F/Gasstufe 6 für 30-35 Minuten oder bis das Brot goldbraun ist. • Wenn sich der Automat im Backzyklus befindet, verwenden Sie die Einstellung Backzyklus 12 oder backen Sie das Brot in einem vorgeheizten konventionellen Ofen bei 200°C/400°F/Gasstufe 6 und nehmen Sie das obere Gitter heraus. Nehmen Sie den Brotbackbehälter vorsichtig aus dem Brotbackautomaten und stellen Sie ihn auf das untere Gitter im Ofen. Backen Sie das Brot, bis es goldbraun ist. 	
PROBLEME MIT DER BACKWANNE		
21. H:HH erscheint auf dem Display und der Automat kann nicht eingeschaltet werden.	<ul style="list-style-type: none"> • Backraum zu heiß. 	<ul style="list-style-type: none"> • Netzstecker ziehen und 30 Minuten abkühlen lassen.
22. E:EE erscheint auf dem Display und der Automat funktioniert nicht.	<ul style="list-style-type: none"> • Brotbackautomat funktioniert fehlerhaft. Temperatursensor-Fehler 	<ul style="list-style-type: none"> • Siehe Abschnitt "Service und Kundendienst".

Prima di leggere questo manuale si prega di aprire la prima pagina, al cui interno troverete le illustrazioni

prima di utilizzare la vostra apparecchiatura Kenwood

- Leggere attentamente le presenti istruzioni e conservarle come futuro riferimento.
- Rimuovere tutto il materiale di imballaggio e le etichette, incluso il sostegno in cartone all'interno del forno di cottura.

sicurezza

- Non toccare le superfici calde. Le superfici accessibili potrebbero riscaldarsi durante l'uso. Usare sempre guanti da forno per estrarre la teglia calda.
- Per evitare fuoriuscite nel forno di cottura dell'apparecchio, estrarre sempre la teglia prima di aggiungere gli ingredienti. Gli ingredienti che vanno a depositarsi sull'elemento termico possono bruciare e sprigionare fumo.
- Non usare questo elettrodomestico in presenza di qualsiasi danno visibile sul cavo elettrico, oppure se lo si è fatto cadere accidentalmente.
- Non immergere questo elettrodomestico, il cavo elettrico o la spina elettrica in acqua o in altri liquidi.
- Disinserire sempre la spina di questo apparecchio dalla presa elettrica prima di montare o smontare i componenti e prima di procedere alla pulizia.
- Non lasciare che il cavo elettrico penda dal bordo di un piano di lavoro e non lasciare che venga a contatto con superfici molto calde, come un fornello a gas o elettrico.
- Utilizzare questo apparecchio solo su una superficie piana e resistente al calore.
- Non mettere la mano all'interno dell'elettrodomestico dopo aver estratto la teglia.
- Non toccare i componenti in movimento del Piccolo Forno.
- Non superare le capacità massime indicate, altrimenti si potrebbe sovraccaricare il Piccolo Forno.
- Non esporre il Piccolo Forno alla luce solare diretta e non collocarlo vicino ad elettrodomestici caldi o esposto a spifferi. Tutti questi fattori possono infatti influire sulla temperatura all'interno dell'elettrodomestico, con possibili effetti negativi sui risultati ottenibili.
- Nel caso sfortunato in cui manchi la corrente dopo che gli ingredienti sono stati parzialmente processati, sarà necessario iniziare da capo.
- Non usare questo elettrodomestico all'aperto.

- Non operare a vuoto il Piccolo Forno, altrimenti si rischia di danneggiarlo seriamente.
- Non usare l'elettrodomestico per conservare nulla al suo interno.
- Non coprire le bocchette del vapore sul coperchio e garantire un'adeguata ventilazione attorno al Piccolo Forno durante il funzionamento.
- Non lasciare che persone incapaci utilizzino l'apparecchiatura senza
- Non consentire a bambini di utilizzare o giocare con l'apparecchio.
- Utilizzare l'apparecchio solo per l'uso domestico per cui è stato realizzato. Kenwood non si assumerà alcuna responsabilità se l'apparecchio viene utilizzato in modo improprio o senza seguire le presenti istruzioni.

prima di inserire la spina nella presa elettrica

- Accertarsi che la tensione della vostra rete sia la stessa di quella indicata sulla base del Piccolo Forno.
- Questo apparecchio è conforme alla Direttiva Comunitaria 89/336/EEC.

prima di usare per la prima volta il Piccolo Forno

- Lavare tutti i componenti (vedi: pulizia).

legenda

- ① manico del coperchio
- ② finestrella di ispezione
- ③ manico di trasporto
- ④ gancio della teglia
- ⑤ elemento termico
- ⑥ manico della teglia
- ⑦ impastatore
- ⑧ albero motore
- ⑨ accoppiamento motore
- ⑩ misurino
- ⑪ doppio misuratore – 1 cucchiaino & 1 cucchiaio
- ⑫ interruttore acceso/spento

- ⑬ pannello di controllo
- ⑭ display
- ⑮ indicatori di doratura (crosta chiara, media, scura)
- ⑯ indicatori del formato pagnotta
- ⑰ tasto menu
- ⑱ tasto formato pagnotta
- ⑲ tasto timer ritardo
- ⑳ tasto doratura
- ㉑ tasto avvio/stop

come misurare gli ingredienti (vedi illustrazioni 3 – 7)

Per ottenere i migliori risultati è molto importante usare le esatte quantità di ingredienti indicate.

- Misurare sempre gli ingredienti liquidi usando il misurino trasparente e graduato. Il liquido dovrebbe raggiungere appena il contrassegno del misurino (vedi 3).
- Usare sempre E liquidi a temperatura ambiente (20°C), a meno che non si desideri cuocere il pane con il ciclo rapido di 1 ora. Seguire le istruzioni date nel ricettario.
- Misurare sempre gli ingredienti liquidi nel misurino trasparente con i contrassegni graduati fornito. Per 1 cucchiaino, usare un dosatore pieno e poi livellarlo a raso. Per 1/2 cucchiaino, riempire il dosatore fino alla linea (vedi 6).

interruttore acceso/spento

Questo apparecchio Kenwood è provvisto di un interruttore di accensione/spengimento e non entra in funzione a meno che si selezioni "on" (acceso).

- Inserire la spina nella presa elettrica e premere l'interruttore acceso/spento ⑫ che si trova sul retro dell'apparecchio – ora nel display appaiono le cifre 3:00.
- Dopo l'uso, spegnere l'apparecchio e disinserire sempre la spina dalla presa elettrica.

come usare il Piccolo Fornoio (vedi il pannello illustrativo)

- 1 Estrarre la teglia tenendola dal manico e ruotandola verso la parte posteriore dell'apparecchio.
- 2 Inserire l'impastatore.
- 3 Versare l'acqua nella teglia.
- 4 Aggiungere il resto degli ingredienti nella teglia, nell'ordine specificato nelle ricette.
↑
↓
7 Verificare che tutti gli ingredienti siano pesati con precisione: in caso di misure incorrette si avranno risultati scadenti.
- 8 Inserire la teglia nel forno di cottura, inclinandola verso la parte posteriore dell'apparecchio. In seguito, bloccare la teglia in posizione ruotandola verso la parte anteriore dell'apparecchio.
- 9 Abbassare il manico e chiudere il coperchio.
- 10 Inserire la spina nella presa elettrica e accendere l'apparecchio – ora si sente un tono acustico e il display si ripristina sull'impostazione predefinita 1 (3:00).
- 11 Premere il tasto MENU ⑰ fino a selezionare il programma desiderato. L'apparecchio si imposta automaticamente su 900g & su doratura media.
- 12 Selezionare il formato desiderato per I pagnotta, premendo il tasto LOAF SIZE ⑱ fino a quando l'indicatore non passa al formato desiderato.
- 13 Selezionare il grado di doratura della crosta premendo il tasto CRUST ⑳ fino a quando l'indicatore non passa al livello desiderato (chiara, media o scura).
- 14 Ora premere il tasto di avvio START ㉑. Per fermare o cancellare il programma, premere START/STOP per 2-3 secondi.
- 15 Al termine della cottura, disinserire la spina dell'apparecchio dalla presa elettrica.
- 16 Usare il gancio fornito per sollevare il manico della teglia.
- 17 Estrarre la teglia tenendola dal manico e ruotandola verso la parte posteriore dell'apparecchio. Usare sempre guanti da forno: il manico scotterà.
- 18 Estrarre il pane capovolgendo la teglia e lasciarlo raffreddare su una griglia.
- 19 Lasciare che il pane si raffreddi per almeno 30 minuti prima di affettarlo, per far fuoriuscire tutto il vapore. Se il pane è troppo caldo, affettarlo sarà difficoltoso.
- 20 Pulire immediatamente la teglia e l'impastatore (vedi la sezione Cura e pulizia).

grafico dei programmi di cottura per pane/impasto

programma		Durata totale programma		Avvertimento per l'aggiunta degli ingredienti ☆		Riscaldamento ☆☆
		900g	700g	900g	700g	
1 pane base	Ricette per farina bianca o integrale	3:00	2:53	2:20	2:15	60
2 pane francese	Per una crosta più croccante – idoneo per pane a basso tenore di grassi e zucchero	3:50	3:40	2:35	2:30	60
3 pane integrale	Ricette per farina integrale o di frumento intero	3:40	3:32	-		60
4 torte	Per pane & torte senza lievito	1:40		-		60
5 dolci	Ricette per pane con molto zucchero	2:55	2:50	2:30	2:25	60
6 rapido 700g	Produce pane in meno di 1 ora. Occorrono acqua tiepida, più lievito e meno sale.	0:58		-		60
7 rapido 900g		0:58		-		60
8 impasto	Impasto da lavorare a mano e da cuocere in forni tradizionali.	1:30		-		-
9 marmellate	Per fare la marmellata	1:20		-		-
10 senza glutine	Per farine e miscele per pane senza glutine.	2:50		-		60
11 sandwich	Crosta più morbida e pane a pasta più densa	3:00	2:55	2:04	1:59	60
12 solo forno	Funzione per solo forno. Utilizzabile anche per riscaldare o rendere più croccante pane già cotto e raffreddato.	1:00		-		60

☆ **Un tono di avvertimento al termine del 2° ciclo di impasto informa della necessità di aggiungere ingredienti, se previsto dalla ricetta.**


☆☆ **Il Piccolo Forno passa automaticamente al modo Riscaldamento al termine del ciclo di cottura e vi rimane fino a un massimo di 1 ora, oppure fino a quando si spegne l'apparecchio, se questo avviene prima.**

timer ritardo

Il Timer ritardo consente di ritardare di fino a 13 ore la panificazione. Non si consiglia di utilizzare questa funzione per le impostazioni di impasto, marmellate, pane senza glutine o rapide.

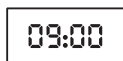
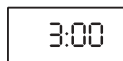
IMPORTANTE: quando si utilizza l'opzione inizio ritardato non si devono utilizzare ingredienti che "vanno a male" facilmente a temperatura ambiente quali latte, uova, formaggio, yogurt, ecc.

Per utilizzare il TIMER basta collocare gli ingredienti nella teglia e chiudere la teglia all'interno del Piccolo Forno. Quindi:

- Premere il tasto **MENÙ**  per selezionare il programma desiderato.
- Selezionare il colore della crosta e le dimensioni desiderate.
- Impostare il timer.
- Premere il tasto (+) **TIMER** e continuare a premerlo fino a visualizzare il tempo totale desiderato. Se si oltrepassa il tempo da impostare, premere il tasto (-) **TIMER** per retrocedere. Con ogni pressione del tasto il timer avanza o retrocede di 10 minuti. Non occorre calcolare la differenza fra la durata del programma selezionato e le ore totali necessarie: l'apparecchio includerà automaticamente il tempo di impostazione del ciclo.

Esempio: si richiede una pagnotta pronta per le 7 del mattino. Se il Piccolo Forno è impostato con gli ingredienti corretti alle 10 della sera prima, il tempo totale da programmare nel timer è di 9 ore.

- Premere il tasto **MENU** per selezionare il programma, es.1, poi usare il tasto (+) timer per avanzare di 10 minuti alla volta, fino a visualizzare '9:00'. Se di oltrepassa accidentalmente '9:00' basta premere il tasto (-) timer fino a tornare a '9:00'.
- Premere il tasto di avvio: ora i due punti (:) lampeggiano sul display. Il timer avvia il conto alla rovescia.
- In caso di errore, o se si desidera variare il tempo impostato, premere il tasto **START/STOP** fino a quando si sente un tono acustico. A questo punto è possibile reimpostare il tempo.



protezione contro l'interruzione della corrente

L'apparecchio include un dispositivo di protezione per fino a 15 minuti di interruzione di corrente, se durante il funzionamento si disinserisce accidentalmente la spina dalla presa elettrica. Tuttavia, se la spina viene ricollegata immediatamente l'apparecchio continua a funzionare secondo il programma impostato.

manutenzione e pulizia

IMPORTANTE: prima di pulire il Piccolo Fornaio, togliere la spina dalla presa elettrica e lasciarlo raffreddare.

- Non immergere in acqua il Piccolo Fornaio o la base esterna della teglia.
- Non pulire la teglia in lavastoviglie, altrimenti si rischia di danneggiarne le proprietà antiaderenti e il pane potrà aderire durante la cottura.
- Non usare pagliette abrasive oppure utensili metallici per la pulizia.
- Pulire la teglia e il braccio impastatore dopo ciascun uso, riempiendo parzialmente la teglia con acqua saponata tiepida. Lasciare immersa per 5-10 minuti. Per togliere il braccio impastatore, girarlo in senso orario e sollevarlo. Terminare la pulizia con un panno morbido, sciacquare e asciugare. Se dopo 10 minuti non si riesce a togliere il braccio impastatore, tenere l'alberino da sotto la teglia e girare avanti ed indietro finché non si riesce a sganciare il braccio impastatore.
- Usare un morbido panno umido per pulire le superfici interne ed esterne del Piccolo Fornaio, se necessario.

manutenzione e assistenza tecnica

- In caso il cavo sia danneggiato, per ragioni di sicurezza deve essere sostituito solo dal fabbricante oppure da un addetto KENWOOD autorizzato alle riparazioni. Ciò eviterà possibili situazioni di pericolo.

Se si ha bisogno di assistenza riguardo:

- l'utilizzo dell'apparecchio
 - assistenza tecnica o riparazioni
- Contattare il negozio dove si è acquistato l'apparecchio.

Ricette (aggiungere gli ingredienti nella teglia nell'ordine indicato dalle ricette)

Pane bianco standard **Programma 1**

Ingredienti	900g	700g
Acqua	320ml	270ml
Olio vegetale	1½ C	1 C
Farina per pane bianco non sbiancata	500g	400g
Latte scremato in polvere	5 c	1 C
Sale	1½ c	1 c
Zucchero	1 C	2 c
Lievito in polvere facilmente miscelabile	7g (2¼ c)	1½ c

c = cucchiaino = 5ml

C = cucchiaio = 15 ml

Pane integrale con semi **Programma 3**

Ingredienti	900g	700g
Acqua	310ml	250ml
Olio vegetale	1½ C	1 C
Farina per pane integrale	450g	370g
Farina bianca per pane, non sbiancata	50g	30g
Latte scremato in polvere	5 c	3 c
Sale	1 c	1 c
Zucchero	4 c	3 c
Lievito in polvere a facile miscelazione	1 c	1 c
Semi di zucca	1 C	2 c
Semi di girasole	1 C	2 c
Semi di papavero	2 c	2 c
Semi di sesamo leggermente tostati	2 c	2 c

1 Aggiungere i semi quando l'apparecchio emette un tono acustico durante il 2° ciclo di impasto.

Pane per brioche **Programma 5**

Ingredienti	900g	700g
Latte	200ml	160ml
Uova	2	1
Burro, fuso	140g	80g
Farina bianca per pane, non sbiancata	500g	400g
Sale	1½ c	1 c
Zucchero	60g	40g
Lievito in polvere a facile miscelazione	2 c	1½ c

Pane bianco rapido **Programma 6-7**

Ingredienti	900g	700g
Acqua, tiepida (32-35°C)	320ml	250ml
Farina per pane bianco non sbiancata	500g	400g
Latte scremato in polvere	5 c	4 c
Sale	1 c	1 c
Zucchero	4 c	3 c
Burro	25g	15g
Lievito in polvere facilmente miscelabile	4 c	3 c

Bread rolls **Programma 8**

Ingredienti	Per 12 panini
Acqua	240ml
Uovo	1
Farina per pane bianco non sbiancata	450g
Sale	1 c
Zucchero	2 c
Burro	25g
Lievito in polvere a facile miscelazione	1½ c
Per la crosta:	
Tuorlo d'uovo sbattuto con 15 ml (3 cucchiaini) di acqua	1
Semi di sesamo e semi di papavero, facoltativi	

- 1 Al termine del ciclo, capovolgere l'impasto su un piano di lavoro leggermente spolverizzato con farina. Lavorare piano l'impasto e dividerlo in 12 pezzi uguali.
- 2 Dopo averli formati, basterà lasciare lievitare definitivamente l'impasto e poi cuocere i panini in un forno tradizionale.

Guida alla ricerca e soluzione dei problemi


Si elencano di seguito alcuni problemi tipici che possono verificarsi quando si fa il pane con il Piccolo Forno. Si prega di analizzare i problemi, la loro possibile causa e l'azione correttiva da prendersi a garanzia di ottimi risultati.

PROBLEMA	POSSIBILE CAUSA	SOLUZIONE
DIMENSIONI E FORMA DEL PANE		
1. La lievitazione del pane è insufficiente	<ul style="list-style-type: none"> • Il pane integrale lievita meno del pane bianco, per via del minore contenuto di glutine. • Non c'è sufficiente liquido. • Non si è messo zucchero, oppure è troppo poco. • Si è usato il tipo sbagliato di farina. • Si è usato il tipo sbagliato di lievito. • Non si è aggiunto sufficiente lievito oppure il lievito è troppo vecchio. • Si è scelto il ciclo di panificazione rapida. • Lievito e zucchero sono venuti a contatto fra loro prima del ciclo di impasto. 	<ul style="list-style-type: none"> • Situazione normale, nessuna soluzione. • Aggiungere altri 15ml/3 cucchiaini di liquido. • Aggiungere gli ingredienti come spiegato nella ricetta. • Forse avete usato farina bianca semplice invece di farina forte, che contiene più glutine. • Non usare farina per usi generali. • Per ottenere i risultati migliori, usare solo lievito a rapida azione e di facile miscelazione. • Misurare la quantità consigliata e controllare la data di scadenza sulla confezione. • Questo ciclo produce pagnotte più corte. Questo è normale. • Controllare che rimangano separati quando sono aggiunti nella teglia.
2. Pagnotte piatte, non lievitano.	<ul style="list-style-type: none"> • Non si è aggiunto il lievito. • Il lievito è troppo vecchio. • Il liquido è troppo caldo. • Si è aggiunto troppo sale. • Se si usa il timer, il lievito si è bagnato prima dell'inizio della panificazione. 	<ul style="list-style-type: none"> • Aggiungere gli ingredienti come spiegato dalla ricetta. • Controllare la data di scadenza. • Usare i liquidi alla corretta temperatura per la regolazione selezionata. • Usare le quantità consigliate. • Versare gli ingredienti secchi negli angoli della teglia e fare un piccolo incavo al centro degli ingredienti secchi per il lievito, per proteggerlo dai liquidi.
3. Pane gonfio in cima – simile a un fungo.	<ul style="list-style-type: none"> • Troppo lievito. • Troppo zucchero. • Troppa farina. • Non abbastanza sale. • Condizioni atmosferiche calde e umide. 	<ul style="list-style-type: none"> • Ridurre di ¼ di cucchiaino il lievito. • Ridurre di 1 cucchiaino lo zucchero. • Ridurre di 6 - 9 cucchiaini la farina. • Usare la quantità di sale consigliata nella ricetta. • Ridurre di 15ml/3 cucchiaini il liquido e di ¼ di cucchiaino il lievito.
4. Il pane si affossa in cima e ai lati.	<ul style="list-style-type: none"> • Troppo liquido. • Troppo lievito. • Il tempo caldo e molto umido può aver causato una lievitazione troppo rapida. 	<ul style="list-style-type: none"> • Ridurre di 15ml/3 cucchiaini il liquido la prossima volta, oppure aggiungere un po' più di farina. • Usare la quantità di sale consigliata nella ricetta oppure la prossima volta provare con un ciclo più rapido. • Raffreddare l'acqua oppure aggiungere latte direttamente dal frigorifero.
5. Pane grumoso in alto – non liscio.	<ul style="list-style-type: none"> • Non abbastanza liquido. • Troppa farina. • Non sempre il pane assumerà una forma perfetta, ma questo non compromette il delizioso sapore del pane. 	<ul style="list-style-type: none"> • Aumentare di 15ml/3 cucchiaini il liquido. • Misurare con precisione la farina. • Controllare che l'impasto avvenga nelle migliori condizioni possibili.

Guida alla ricerca e soluzione dei problemi

PROBLEMA	POSSIBILE CAUSA	SOLUZIONE
DIMENSIONI E FORMA DEL PANE		
6. Il pane si affossa durante la cottura.	<ul style="list-style-type: none"> • L'elettrodomestico è stato collocato in una posizione esposta a spifferi, oppure è stato urtato o capovolto durante la lievitazione. • Si è superata la capacità della teglia. • Non si è usato abbastanza sale o lo si è ommesso (il sale aiuta a prevenire l'eccessiva lievitazione dell'impasto). • Troppo lievito. • Condizioni atmosferiche calde e umide. 	<ul style="list-style-type: none"> • Riposizionare il Piccolo Fornaio. • Non usare più ingredienti di quanto consigliato per la pagnotta grande (max. 900g). • Usare la quantità di sale consigliata nella ricetta. • Misurare con precisione il lievito. • Ridurre di 15ml/3 cucchiaini il liquido e ridurre di ¼ di cucchiaino il lievito.
7. Le pagnotte sono poco uniformi e più corte da un lato.	<ul style="list-style-type: none"> • Impasto troppo asciutto e non lasciato lievitare uniformemente nella teglia. 	<ul style="list-style-type: none"> • Aumentare di 15ml/3 cucchiaini il liquido.
CONSISTENZA DEL PANE		
8. Consistenza densa e pesante.	<ul style="list-style-type: none"> • Troppa farina • Troppo poco lievito. • Troppo poco zucchero. 	<ul style="list-style-type: none"> • Misurare con precisione. • Misurare la giusta quantità consigliata di lievito. • Misurare con precisione
9. Consistenza aperta, grossa, a forellini..	<ul style="list-style-type: none"> • Si è ommesso il sale. • Troppo lievito. • Troppo liquido. 	<ul style="list-style-type: none"> • Aggiungere gli ingredienti nell'ordine dato dalla ricetta. • Misurare la giusta quantità consigliata di lievito. • Ridurre di 15ml/3 cucchiaini il liquido.
10. Il pane è crudo al centro.	<ul style="list-style-type: none"> • Troppo liquido. • È mancata la corrente durante il funzionamento. • Eccessive quantità e l'elettrodomestico non ha potuto accomodarle. 	<ul style="list-style-type: none"> • Ridurre di 15ml/3 cucchiaini il liquido. • Se manca la corrente durante il funzionamento, il Piccolo Fornaio rimane spento quando torna la corrente. Occorrerà togliere dalla teglia il pane non cotto e ricominciare usando ingredienti freschi. • Ridurre le quantità ai massimi livelli consentiti.
11. Il pane si affetta a fatica; molto appiccicoso.	<ul style="list-style-type: none"> • Lo si affetta quando è ancora troppo caldo. • Non si usa un coltello giusto. 	<ul style="list-style-type: none"> • Lasciare raffreddare per almeno 30 minuti il pane sulla griglia, per dissipare il vapore, quindi affettarlo. • Usare un buon coltello per affettare il pane.
COLORE E SPESSORE DELLA CROSTA		
12. Crosta scura/troppo spessa.	<ul style="list-style-type: none"> • Si è usata la regolazione DARK (scura) per la crosta. 	<ul style="list-style-type: none"> • Utilizzare un'impostazione bassa o media la prossima volta.
13. La pagnotta è bruciata.	<ul style="list-style-type: none"> • Il Piccolo Fornaio funziona male. 	<ul style="list-style-type: none"> • Vedi la sezione "Manutenzione e assistenza tecnica"
14. La crosta è troppo leggera.	<ul style="list-style-type: none"> • Il pane non è cotto a sufficienza. • La ricetta non prevedeva latte in polvere o fresco. 	<ul style="list-style-type: none"> • Prolungare il tempo di cottura. • Aggiungere 15ml/3 cucchiaini di latte scremato in polvere oppure sostituire il 50% dell'acqua con del latte, per favorire la doratura.

Guida alla ricerca e soluzione dei problemi

PROBLEMA	POSSIBILE CAUSA	SOLUZIONE
PROBLEMI CON LA TEGLIA		
15. Non è possibile estrarre il braccio impastatore.	<ul style="list-style-type: none"> • Occorre aggiungere acqua nella teglia e lasciare immerso il braccio impastatore prima di poterlo estrarre. 	<ul style="list-style-type: none"> • Seguire le istruzioni per la pulizia dopo l'uso. Potrebbe essere necessario ruotare leggermente il braccio impastatore dopo averlo lasciato in acqua, per allentarlo.
16. Il pane si attacca alla teglia/è difficile staccarlo.	<ul style="list-style-type: none"> • Questo può accadere con l'uso prolungato. 	<ul style="list-style-type: none"> • Ungere leggermente l'interno della teglia con olio vegetale. • Vedi la sezione 'Manutenzione e assistenza tecnica'.
ASPETTI MECCANICI DELL'ELETTRODOMESTICO		
17. Il Piccolo Fornaio non è in funzione/Il braccio impastatore non è in movimento.	<ul style="list-style-type: none"> • L'apparecchio non è acceso • La teglia non è stata inserita correttamente. • Selezionato inizio ritardato. 	<ul style="list-style-type: none"> • Controllare che l'interruttore  sia nella posizione "ON" (accesso). • Controllare che la teglia sia ben fissata. • Il Piccolo Fornaio non si attiverà fino a quando il conto alla rovescia non avrà raggiunto l'ora di inizio del programma.
18. Gli ingredienti non si miscelano.	<ul style="list-style-type: none"> • Non si è avviato il Piccolo Fornaio. • Non si è messo il braccio impastatore nella teglia. 	<ul style="list-style-type: none"> • Dopo aver programmato il pannello di controllo, premere il tasto Start di avvio per accendere il Piccolo Fornaio. • Controllare sempre che il braccio impastatore sia sull'alberino sul fondo della teglia, prima di aggiungere gli ingredienti.
19. Durante il funzionamento si avverte odore di bruciato.	<ul style="list-style-type: none"> • Si ha una fuoriuscita di ingredienti nel forno. • La teglia perde. • Si è superata la capacità della teglia. 	<ul style="list-style-type: none"> • Attenzione a non rovesciare gli ingredienti quando li si aggiunge nella teglia. Essi possono bruciare quando si riscalda l'elettrodomestico e generare fumo. • Vedi la sezione "Manutenzione ed assistenza post-vendita". • Non usare più ingredienti di quelli consigliati nella ricetta e misurare sempre con precisione gli ingredienti.
20. Si è staccata per errore la spina dell'elettrodomestico o è mancata la corrente. Come posso salvare il pane?	<ul style="list-style-type: none"> • Se l'apparecchio è nel ciclo di lavorazione buttare via gli ingredienti e ricominciare. • Se l'apparecchio è nel ciclo di lievitazione, togliere l'impasto dalla teglia, modellare e collocare in una forma per il pane unta che misuri 23 x 12,5cm. Coprire e lasciare che lieviti fino a quando raddoppia. Utilizzare solo il programma di cottura 12 oppure far cuocere in un forno tradizionale pre-riscaldato a 200°C per 30-35 minuti oppure fino a quando è dorato. • Se l'apparecchio è nel ciclo di cottura, utilizzare il programma di solo cottura 12 oppure far cuocere in un forno tradizionale pre-riscaldato a 200°C e togliere il ripiano superiore. Estrarre la teglia dall'apparecchio con cura e collocarla sul ripiano basso del forno. Cuocere finché non è dorata. 	
21. H:HH appare in display e non è possibile accendere l'apparecchio.	<ul style="list-style-type: none"> • Il forno è troppo caldo. 	<ul style="list-style-type: none"> • Staccare la spina elettrica e lasciare raffreddare per 30 minuti.
22. E:EE appare in display e l'apparecchio non funziona.	<ul style="list-style-type: none"> • L'apparecchio è guasto. Errore del sensore della temperatura 	<ul style="list-style-type: none"> • Vedi la sezione "Manutenzione ed assistenza post-vendita".

Fold forsiden med illustrationerne ud.

før Kenwood-apparatet tages i brug

- Læs denne brugervejledning nøje og opbevar den i tilfælde af, at du får brug for at slå noget op i den.
- Fjern al emballagen og alle etiketter, inklusiv pappet i selve bagekammeret.

sikkerhed

- Rør ikke ved varme overflader. Tilgængelige overflader er tilbøjelige til at blive varme ved brug. Anvend altid grydelapper til at tage den varme bageform ud.
- Tag altid bageformen ud af maskinen inden de forskellige ingredienser tilføjes, for at forhindre at der spildes i ovnkammeret. Ingredienser der spildes ud over varmelegemet kan brænde fast og forårsage udvikling af røg.
- Anvend ikke maskinen hvis der er synlige tegn på skade på strømforsyningen, eller hvis maskinen uheldigvis er blevet tabt.
- Kom ikke dette apparat, strømforsyningen eller stikket i vand eller anden væske.
- Tag altid apparatet ud af stikkontakten efter brug, før montering eller når dele fjernes, samt før rengøring.
- Lad ikke den elektriske ledning hænge ud over køkkenbordet, og sørg for, at den ikke berører varme overflader som f.eks. gas- eller elektriske kogeplader.
- Dette apparat bør kun anvendes på en flad overflade, der ikke er varmefølsom.
- Anbring ikke din hånd inden i ovnkammeret efter at bageformen er taget ud, da denne er meget varm.
- Rør ikke ved de bevægelige dele i brødbageren.
- Overstig ikke de angivne maksimum kapaciteter, da dette kan resultere i overbelastning af brødbageren.
- Anbring ikke brødbageren i direkte sollys, i nærheden af varme apparater eller i træk. Ovenstående kan påvirke ovnens indvendige temperatur, hvilket kan ødelægge det endelige resultat.
- Hvis der forekommer strømsvigt, efter at ingredienserne er delvist forarbejdede, er det nødvendigt at begynde forfra.
- Anvend ikke dette apparat udendørs.
- Betjen ikke brødbageren når den er tom, da dette kan forårsage alvorlige skader.
- Anvend ikke ovnkammeret til opbevaring af nogen art.
- Tildæk ikke udluftningen i låget og sørg for, at der er tilstrækkelig ventilation rundt om brødbageren ved betjening.
- Lad aldrig svagelige personer anvende maskinen uden opsyn.

- Lad ikke børn anvende eller lege med apparatet.
- Anvend kun apparatet til husholdningsbrug. Kenwood påtager sig ikke erstatningsansvar, hvis apparatet ikke anvendes korrekt eller disse instruktioner ikke følges.

før du tilslutter apparatet

- Kontroller at din strømforsyning svarer til den, der er vist på undersiden af din brødbager.
- Denne maskine efterkommer EU direktiv 89/336/EEC

før du anvender brødbageren første gang

- Vask alle dele (se rengøring).

oversigt

- ① håndtag på låget
- ② vindue til ovnkammer
- ③ bærehåndtag
- ④ krog til bageform
- ⑤ varmeelement
- ⑥ bageformens håndtag
- ⑦ dejkrog
- ⑧ kørselsakse
- ⑨ kørselskobling
- ⑩ målekop
- ⑪ dobbelt måleske 1tsk. & 1spsk.
- ⑫ 'tænd/sluk'-knappen
- ⑬ kontrolpanel
- ⑭ vis vindue
- ⑮ indikator for skorpefarve (lys, medium, mørk)
- ⑯ indikation for brødstørrelse
- ⑰ menufunktion
- ⑱ brødstørrelsesfunktion
- ⑲ delay-timer-funktion
- ⑳ skorpefarvefunktion
- ㉑ start/stop-funktion

sådan afmåles ingredienserne (se illustrationerne 3 til 7)

Det er yderst vigtigt at afmåle ingredienserne korrekt for at opnå det bedste resultat.

- Afmål altid de flydende ingredienser i et gennemsnitligt målebæger med decilitermarkering. Væsken bør kun lige akkurat røre markeringen på målebægeret, hverken mere eller mindre (se 3).
- Anvend altid væsker der har stuetemperatur, 20°C/68°F, med mindre der bages med det hurtige 1 times-program. Følg vejledningen, som findes i afsnittet om opskrifter.
- Anvend altid den medfølgende måleske til at afmåle små mængder tørre og flydende ingredienser. 1 tsk. eller 1 spsk. svarer til en skefuld uden top (se 6).

tænd/sluk-knappen

Din Kenwood brødmaskine har en TÆND/SLUK-knap og virker ikke før du har trykket på 'tænd'-knappen

- Sæt den til i kontakten og tryk på TÆND/SLUK-knappen (12), som er bag på brødmaskinen. Der står '3:00' i displayet.
- Husk altid at slukke for din brødmaskine efter brug og tag stikket ud igen.

sådan anvendes din brødbager (Se illustrationerne)

- 1 Tag bageformen ud ved at holde i håndtaget og dreje formen mod bagsiden af maskinen.
- 2 Sæt dejkrogen i.
- 3 Hæld vandet i bageformen.
- 4 Tilføj resten af ingredienserne i den rækkefølge de forekommer i opskriften. Kontroller at alle ingredienserne er korrekt afvejet/afmålt.
- 7 Unøjagtigt afmålte ingredienser gør det endelige resultat ringere.
- 8 Indsæt bageformen i ovnkammeret ved at anbringe bageformen i en vinkel mod bagsiden af maskinen. Lås derefter formen ved at dreje den mod forsiden.
- 9 Tryk håndtaget ned og luk låget.
- 10 Sæt stikket i kontakten og tænd; der lyder nu et bip fra maskinen, der indstiller på standardindstilling 1 (3:00).
- 11 Tryk på MENU-funktionen (17) indtil det ønskede program er valgt. Brødbageren indstilles automatisk til 900g & medium skorpefarve.
- 12 Vælg størrelse på brødet ved at trykke på funktionen LOAF SIZE (18) indtil indikatoren rykker hen til den ønskede brødstørrelse.
- 13 Vælg skorpefarve ved at trykke på funktionen CRUST (19) indtil indikatoren rykker hen til den ønskede skorpefarve (lys, medium eller mørk).
- 14 Tryk på funktionen START (20). For at stoppe eller annullere valg af program, tryk på funktionen START/STOP i 2-3 sekunder.
- 15 Tag brødbageren ud af stikkontakten, når denne når til afslutningen på bagecyklussen.
- 16 Anvend den medfølgende krog til at løfte formens håndtag op.
- 17 Tag bageformen ud ved at holde i håndtaget og drej formen mod bagsiden af maskinen. **Anvend altid grydelapper da formens håndtag vil være varmt.**
- 18 Vend brødet ud på en bagerist og lad det afkøle.
- 19 Lad brødet afkøle i mindst 30 minutter. Det er svært at skære skiver af brødet, hvis det er for varmt.
- 20 Rengør bageformen og dejkrogen øjeblikkeligt efter brug (se afsnittet vedligeholdelse og rengøring).

brød/dej programdiagram

program		Samlet programtid		Alarm til tilføjning af ingredienser*		Hold varm**
		900g	700g	900g	700g	
1 almindeligt	Opskrifter til hvede- eller fuldkornsbrød	3:00	2:53	2:20	2:15	60
2 fransk	Giver en sprødere skorpe og er særligt egnet til brød med lavt indhold af fedt og sukker.	3:50	3:40	2:35	2:30	60
3 fuldkornsmel	Opskrifter med fuldkornsmel og brød af tungere kornsorter	3:40	3:32	-	-	60
4 kage	Dej uden gær til brød & kager	1:40		-		60
5 sødt	Brødsopskrifter med højt sukkerindhold	2:55	2:50	2:30	2:25	60
6 hurtig 700g	Laver brød på under 1 time. Brød kræver varmt vand, ekstra gær samt mindre salt.	0:58		-		60
7 hurtig 900g		0:58		-		60
8 dej	Ælter dej, sådan at det kan formes i hænderne og bages i din egen ovn.	1:30		-		-
9 syltetøj	Til at lave syltetøj	1:20		-		-
10 glutenfri	Til brug ved glutenfrit mel samt glutenfri brødblandinger.	2:50		-		60
11 sandwich	Blødere skorpe og tættere brødstruktur.	3:00	2:55	2:04	1:59	60
12 bage	Bag kun-funktion. Denne funktion kan også anvendes til at genvarme eller gøre allerede bagte og nedkølede brød sprøde.	1:00		-		60


- ★ **En alarm lyder før afslutningen af den anden æltningscyklus, således at man, hvis opskriften anbefaler det, husker at tilføje alle ingredienser.**
- ★★ **Brødmaskinen vil automatisk gå i "holde varm"-funktion, når bagecyklussen er afsluttet. Den bliver i "holde varm"-funktion i op til 1 time, hvis ikke maskinen slukkes forinden.**

delay-timer

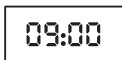
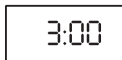
Med Delay-timeren kan du udskyde brødbagningsprocessen i op til 13 timer. Den forsinkede start anbefales ikke til brug for dej-, syltetøj-, glutenfri- eller hurtige-indstillinger.

VIGTIGT: Når du anvender denne forsinkede startfunktion, må du ikke anvende let fordærvelige ingredienser – ingredienser der hurtigt bliver "dårlige" ved stuetemperatur eller over, som f.eks. mælk, æg, ost eller yoghurt.

Alt du skal gøre for at anvende DELAY-TIMER er, at anbringe alle ingredienserne i bageformen og låse den fast i brødmaskinen. Derefter:

- Tryk på MENU-funktionen  for at vælge det ønskede program – tiden for programcyklussen vises derefter.
 - Vælg den skorpefarve og størrelse som du ønsker.
 - Indstil derefter delay-timeren.
 - Tryk på (+) TIMER-funktionen og bliv ved med at trykke indtil den samlede påkrævede tid vises. Hvis du overskrider den ønskede tid, kan du trykke på (-) TIMER-funktionen for at gå tilbage. Timer-funktionen øges med 10 minutter for hvert tryk. Du behøver ikke at regne forskellen mellem den valgte programtid og det samlede antal påkrævede timer ud, da brødbageren automatisk inkluderer indstillingens cyklostid.
- Eksempel:* Brødet skal være færdigbagt kl. 7. Hvis brødbageren er klar aftenen før kl. 22 med alle ingredienserne i, så er det samlede antal timer, som delay-timeren skal indstilles til 9 timer.

- Tryk på MENU-funktionen for at vælge program f.eks. 1 og anvend (+) timer-funktionen til at rykke tiden frem, med en forøgelse på 10 minutter ad gangen, indtil den viser '9:00'. Hvis du kommer forbi '9:00', kan du bare trykke på (-) timer-funktionen, indtil du kommer tilbage til '9:00'.
- Tryk på startfunktionen og displaykolon (:) vil begynde at blinke. Timeren vil påbegynde nedtælling.
- Hvis du har lavet en fejl eller ønsker at ændre tidsindstillingen, kan du trykke på START/STOP-funktionen, indtil den bipper. Derefter kan du nulstille tiden.



beskyttelse mod strømafbrydelse

Brødbageren har 15 min. beskyttelse mod strømafbrydelse, i tilfælde af, at apparatet tilfældigvis tages ud af stikkontakten under betjening. Apparatet vil fortsætte med at køre programmet, hvis denne sættes i stikkontakten øjeblikkeligt.

vedligeholdelse og rengøring

VIGTIGT: Tag brødbageren ud af stikkontakten og lad den køle af før rengøring.

- Nedsænk ikkebrødmaskinens motor eller bageformens ydre side i vand.
- Rengør ikke bageformen i en opvaskemaskine. Vask i en opvaskemaskine kan beskadige sliplet-laget på bageformens dele, og forårsage at brød klæber ved bagning.
- Anvend aldrig aggressive rengøringsmidler eller redskaber lavet af metal.
- Rengør bageformen og dejkrogen **øjeblikkeligt** efter brug, ved delvist at fylde formen med varmt sæbevand. Lad formen ligge i blød i 5 til 10 minutter. Fjern dejkrogen ved at dreje den med uret og løft af. Afslut rengøringen med en blød klud, rens og tør efter. Hvis dejkrogen ikke kan fjernes efter 10 minutter, kan du tage fat i akse fra undersiden af formen og dreje frem og tilbage, indtil dejkrogen frigives.
- Hvis nødvendigt, anvend en blød og fugtig klud til at rengøre brødbagerens ydre og indre overflader.

service og kundeservice

- Hvis ledningen er beskadiget skal den, af sikkerhedsmæssige årsager, udskiftes enten af KENWOOD eller af en autoriseret KENWOOD reparatør. Hvis du har behov for hjælp til:
 - at anvende din brødbager
 - betjening eller vedligeholdelse
- Kontakt da butikken hvor du købte din brødbager.

Opskrifter (tilføj resten af ingredienserne i den rækkefølge de forekommer i opskriften)

Almindeligt hvidt brød

Program 1

Ingredienser	900g.	700g.
Vand	320ml.	270ml..
Vegetabilsk olie	1½spsk	spsk.
Ubleget hvedemel	500g.	400g.
Mælkepulver	5tsk.	1spsk.
Salt	1½tsk.	1tsk.
Sukker	1spsk.	2tsk.
Tørret eller alm.gær	7g.(2¼tsk.)	1½tsk.

tsk. = 5 ml. teske

spsk. = 15ml. spiseske

Fuldkornsbrød med kerner Program 3

Ingredienser	900g.	700g.
Vand	310ml	250ml.
Vegetabilsk olie	1½spsk.	1spsk.
Fuldkornshvedemel	450g.	370g.
Ubleget hvedemel	50g.	30g.
Mælkepulver	5tsk.	3tsk.
Salt	1tsk.	1tsk.
Sukker	4tsk.	3tsk.
Tørret eller alm. gær	1tsk.	1tsk.
Græskarkerner	1spsk.	2tsk.
Solsikkefrø	1spsk.	2tsk.
Valmuefrø	2tsk.	2tsk.
Let ristede sesamfrø	2tsk.	2tsk.

1. Tilføj kernerne og frøene til dejen når maskinen laver en tydelig lyd under anden æltningscyklus.

Briochebrød

Program 5

Ingredienser	900g.	700g.
Mælk	200ml.	160ml.
Æg	2	1
Smeltet smør	140g.	80g.
Ubleget hvedemel	500g.	400g.
Salt	1½tsk.	1tsk.
Sukker	60g.	40g.
Tørret eller alm. gær	2tsk	1½tsk.

Hurtigbagt hvidt brød

Program 6-7

Ingredienser	900g.	700g.
Vand, håndvarmt (32-35°C)	320ml.	250ml.
Ubleget hvedemel	500g.	400g.
Mælkepulver	5tsk.	4tsk.
Salt	1tsk.	1tsk.
Sukker	4tsk.	3tsk.
Smør	25g.	15g.
Tørret eller alm.gær	4tsk.	3tsk.

Boller

Program 8

Ingredienser	Til ca. 12 stk.
Vand	240ml.
Æg	1
Ubleget hvedemel	450g.
Salt	1tsk.
Sukker	2tsk.
Smør	25g.
Tørret eller alm. gær	1½tsk.
Smøres og pyntes med:	
Æggeblomme pisket sammen med 15 ml.vand	1
Sesamfrø og valmuefrø, som drys - valgfrit	

- 1 Sidst i cyklussen skal dejen vendes ud på køkkenbordet, som er strøet let med mel. Ælt derefter dejen forsigtigt, del den op i 12 dejklumper og form bollerne.
- 2 Efter at dejen er formet til boller, efterlades disse til efterhævning og bages derefter i din almindelige ovn.

vejledning til fejlafhjælpning


Følgende er en beskrivelse af nogle af de problemer der muligvis kan opstå, når du anvender din brødbager til at bage brød. Gennemgå venligst problemerne, deres mulige årsag og den korrigerende handling du bør foretage, for at sikre at din bagning bliver vellykket.

PROBLEM	MULIG ÅRSAG	LØSNING
BRØDETS STØRRELSE OG FORM		
1. Brødet hæver ikke nok tilføres	<ul style="list-style-type: none"> • Brød lavet af fuldkornshvedemel bliver tungere (lavere) end brød lavet af hvedemel, pga. mindre gluten proteinstoffer i rent hvedemel. • Ikke nok væske. • Enten er der for lidt sukker i dejen, eller det er helt udeladt. • Der er anvendt en forkert type mel. • Der er anvendt en forkert type gær. • Der er ikke tilsat nok gær, eller dette har været for gammelt. • Der er valgt en hurtig brødcyklus • Gær og sukker kom i berøring før æltningscyklussen. 	<ul style="list-style-type: none"> • Normal situation, ingen løsning. • Tilføj mere væske 15ml./3tsk. • Saml ingredienserne som beskrevet i opskriften. • Måske har du anvendt almindeligt hvedemel i stedet for stærkere brødmel, som har et højere glutenindhold. • Anvend ikke almindeligt mel. • Anvend hurtigvirkende gær, for bedste resultat. • Afrmål den anbefalede mængde og kontroller udløbsdatoen på pakken. • Denne cyklus giver et sprødere brød. Dette er normalt. • Sørg for at de forbliver adskilte, når de bageformen.
2. Brødet hæver ikke.	<ul style="list-style-type: none"> • Gær udeladt. • Gær for gammelt. • Væske for varmt. • Der er tilsat for meget salt. • Hvis timeren blev anvendt, blev gæren våd før selve brødlavningsprocessen gik igang. 	<ul style="list-style-type: none"> • Saml ingredienserne som beskrevet i opskriften. • Kontroller udløbsdato. • Anvend væske ved den korrekte temperatur for den brødstilling der anvendes . • Anvend den anbefalede mængde. • Anbring de tørre ingredienser i formens hjørner og lav en lille fordybning til gæret i midten af de tørre ingredienser, for at beskytte dette mod de våde ingredienser.
3. Der er lufthuller i brødet – det forekommer svampet.	<ul style="list-style-type: none"> • For meget gær tilsat. • For meget sukker tilsat. • For meget mel tilsat. • Ikke nok salt. • Varmt, fugtigt vejr. 	<ul style="list-style-type: none"> • Reducer gæren med 1/4tsk. • Reducer sukker med 1tsk. • Reducer mel med 6 til 9tsk. • Anvend den mængde salt som anbefales i opskriften. • Reducer væske med 15ml./3 tsk. og gær med 1/4 tsk.
4. Brødet synker sammen.	<ul style="list-style-type: none"> • For meget væske tilsat. • For meget gær tilsat. • Høj luftfugtighed og varmt vejr kan forårsage at dejen hæver for hurtigt. 	<ul style="list-style-type: none"> • Reducer væske med 15ml./3tsk. næste gang eller tilføj en smule mere mel. • Anvend den anbefalede mængde eller prøv en hurtigere cyklus næste gang. • Anvend koldt vand eller mælk direkte fra køleskabet.
5. Brødet ligner et månelandskab – det har ikke en galt overfalde.	<ul style="list-style-type: none"> • Ikke nok væske tilsat. • For meget mel tilsat. • Selv om overfladen på brødet ikke er formet perfekt, påvirker dette dog ikke brødets gode smag. 	<ul style="list-style-type: none"> • Tilføj mere væske 15ml./3tsk. • Afrmål melet præcist. • Sørg for at dejen forberedes under de bedste mulige forhold.

vejledning til fejlafhjælpning (fortsat)

PROBLEM	MULIG ÅRSAG	LØSNING
BRØDETS STØRRELSE OG FORM		
6. Sunket sammen under bagning.	<ul style="list-style-type: none"> • Maskinen blev anbragt i træk eller kan være blevet skubbet eller stødt under hævnning. • Overstiger bageformens kapacitet. • Enten er der for lidt salt i dejen, eller det er helt udeladt. (salt forhindrer dejen i at hæve for meget) • For meget gær tilsat. • Varmt, fugtigt vejr. 	<ul style="list-style-type: none"> • Genindstil brødbageren. • Anvend ikke større mængder ingredienser end anbefalet (maks. 900g.). • Anvend den mængde salt som anbefales i opskriften. • Afmål gæret præcist. • Reducer væske med 15ml./3 tsk. og gær med 1/4 tsk.
7. Brød er ujævne – mindre i den ene ende.	<ul style="list-style-type: none"> • Dejen er for tør og har ikke fået lov til at hæve ens i formen.. 	<ul style="list-style-type: none"> • Tilføj mere væske 15ml./3tsk.
BRØDETS STRUKTUR		
8. Tung, kompakt struktur. gær.	<ul style="list-style-type: none"> • For meget mel tilsat. • Ikke nok gær tilsat. • Ikke nok sukker tilsat. 	<ul style="list-style-type: none"> • Afmål nøjagtigt. • Afmål den korrekte, anbefalede mængde • Afmål nøjagtigt.
9. Åben, smuldret og hullet struktur. gær.	<ul style="list-style-type: none"> • Salt udeladt. • For meget gær tilsat. • For meget væske tilsat. 	<ul style="list-style-type: none"> • Saml ingredienserne som beskrevet i opskriften. • Afmål den korrekte, anbefalede mængde • Tilføj mere væske 15ml./3tsk.
10. Midten af brødet er ubagt.	<ul style="list-style-type: none"> • For meget væske tilsat. • Strømsvigt ved betjening. • Mængden var for stor, så maskinene kunne ikke klare det. 	<ul style="list-style-type: none"> • Reducer væske med 15ml./3tsk. • Hvis der er strømsvigt under betjening, vil brødbageren forblive slukket, når strømforsyningen genoprettes. Det er nødvendigt at fjerne det ubagte brød og begynde forfra med nye ingredienser. • Reducer mængden til den maks. mængde, der er tilladt.
11. Brødet er svært at skære – meget klistret.	<ul style="list-style-type: none"> • Skåret mens det var for varmt. • Skåret med en forkert kniv. 	<ul style="list-style-type: none"> • Lad brødet afkøle på en bagerist i mindst 30 min. før der skæres af det. • Anvend en god brødkniv.
SKORPEN FARVE OG TYKKELSE		
12. Mørk skorpefarve/ for tyk.	<ul style="list-style-type: none"> • MØRK skorpeindstilling anvendt. 	<ul style="list-style-type: none"> • Anvend medium eller lys indstilling næste gang .
13. Brødet er brændt.	<ul style="list-style-type: none"> • Brødbageren har en funktionsfejl. 	<ul style="list-style-type: none"> • Se afsnittet "Service og kundeservice".
14. Skorpen er for lys.	<ul style="list-style-type: none"> • Brødet er bagt for lidt. • Ingen mælkepulver eller frisk mælk i opskriften. 	<ul style="list-style-type: none"> • Forlæng bagetiden. • Tilføj 15ml./3tsk. mælkepulver eller erstæt 50% af vandet med mælk, således at brødet får mere farve.

vejledning til fejlfhjælpning (fortsat)

PROBLEM	MULIG ÅRSAG	LØSNING
PROBLEMER MED BAGEFORMEN		
15. Dejkrogen kan ikke tages ud.	<ul style="list-style-type: none"> Du skal komme vand i bageformen og lade dejkrogen ligge i blød, før den kan tages ud. 	<ul style="list-style-type: none"> Følg rengøringsvejledningen efter brug. For at løse den, kan det være nødvendigt at dreje dejkrogen let efter opblødning .
16. Brødet hænger fast i formen/ vanskeligt at ryste ud.	<ul style="list-style-type: none"> Kan forekomme ved vedvarende brug. 	<ul style="list-style-type: none"> Tør indersiden af bageformen let med vegetabilsk olie. se afsnittet "Service og kundeservice".
MASKINENS MEKANIK		
17. Brødbageren fungerer ikke/ Dejkrogen bevæger sig ikke.	<ul style="list-style-type: none"> Brødmaskinen er ikke tændt Formen er ikke anbragt korrekt. Delay-timer valgt. 	<ul style="list-style-type: none"> Kontroller at 'tænd/sluk'-knappen  står på T/ÆND. Kontroller at formen er låst på plads. Brødbageren starter ikke før nedtællingen når programmets starttid.
18. Ingredienserne er ikke blandet sammen.	<ul style="list-style-type: none"> Startede ikke brødbager. Glemte at anbringe dejkrogen i formen. 	<ul style="list-style-type: none"> Efter at have programmeret kontrolpanelet, skal du trykke på start knappen for at tænde for brødbageren. Kontroller altid at dejkrogen sidder fast på akslen i bunden af formen, før ingredienserne tilsættes.
19. Der lugter brændt under betjening.	<ul style="list-style-type: none"> Ingredienserne er løbet ud inden i ovnen. Formen lækker. Overstiger bageformens kapacitet. 	<ul style="list-style-type: none"> Vær forsigtig med ikke at spilde ingredienserne, når de tilføres formen. Ingredienserne kan brænde fast på varmelegemet og forårsage udvikling af røg. Se afsnittet "Service og kundeservice". Anvend ikke større mængder ingredienser end det anbefales i opskriften, og afmål altid ingredienserne nøje.
20. Maskinen blev ved en fejltagelse taget ud af stikkontakten eller mistede strømforsyning under brug. Hvordan kan jeg redde brødet?	<ul style="list-style-type: none"> Hvis maskinen er i æltningscyklus, kasseres ingredienserne og der begyndes forfra. Hvis maskinen er i hævecyklus, fjernes dejen fra bageformen, og den formes og anbringes i en smurt 23 x 12.5cm/9 x 5 in. Bageform. Dæk den til og lad den hæve til dobbelt størrelse. Anvend indstilling 12 (bag kun) eller bag i en almindelig forvarmet ovn ved 200°C/400°F/Gasmærke 6 i 30-35 minutter, eller til brødet er gyldenbrunt. Hvis maskinen er i bagecyklus, skal du anvende indstilling 12 (bag kun) eller bag i en almindelig forvarmet ovn ved 200°C/400°F/Gasmærke 6 og fjern den øverste rist. Tag forsigtigt formen ud af maskinen og anbring den på den nederste rille i ovnen. Bag indtil det er gyldenbrunt. 	
21. H:HH vises på displayet, og maskinen kan ikke tændes.	<ul style="list-style-type: none"> Ovnkammeret er for varmt. 	<ul style="list-style-type: none"> Tag maskinen ud af stikkontakten og lad den afkøle i 30 minutter.
22. E:EE vises på displayet og maskinen virker ikke.	<ul style="list-style-type: none"> Brødbageren har en funktionsfejl. Temperatursensoren har en funktionsfejl. 	<ul style="list-style-type: none"> Se afsnittet "Service og kundeservice".

Svenska

Vik ut främre omslaget med bilderna.

innan du använder din Kenwood-apparat

- Läs bruksanvisningen noggrant och spara den för framtida bruk.
- Avlägsna allt emballage och alla etiketter, inklusive masonitstödet inne i bakugnen.

säkerheten

- Vidrör inga heta ytor. De åtkomliga ytorna kan bli heta under användning. Använd alltid grytlappar /grillvantar för att ta ut det varma tråget.
- Ta alltid ut tråget ur maskinen innan du tillsätter ingredienser, för att undvika spill inne i ugnen. Ingredienser, som stänker på värmarelementet, kan brännas och ge upphov till rök.
- Använd inte maskinen, om det finns synliga tecken på skador på nätsladden eller om den av misstag har tappats i golvet.
- Du får varken sänka ned maskinen, nätsladden eller kontakten i vatten eller någon annan vätska.
- Dra alltid ut kontakten ur uttaget efter användning, innan du sätter dit eller tar bort delar samt före rengöring.
- Låt inte nätsladden hänga ned över kanten på en arbetsyta eller komma i kontakt med heta ytor, t ex en spisplatta.
- Denna maskin får enbart användas på en plan, värmebeständig yta.
- Stick inte in handen i ugnen sedan du tagit ut tråget, eftersom det är mycket varmt där inne.
- Vidrör inte rörliga delar inuti bakmaskinen.
- Överskrid inte angivna maximikapaciteter, eftersom detta kan leda till att bakmaskinen överbelastas.
- Placera inte bakmaskinen i direkt solljus, nära heta föremål eller i drag. Alla dessa faktorer kan påverka temperaturen inne i ugnen och förstöra resultatet av ditt arbete.
- Skulle oturen vara framme och du råkar ut för ett strömbrott när ingredienserna har bearbetats delvis, måste du starta om på nytt.
- Använd inte denna maskin utomhus.
- Kör inte bakmaskinen när den är tom, eftersom detta skulle kunna skada den allvarligt.
- Använd inte ugnen för någon form av förvaring.
- Täck inte över ångutsläppen i luckan och se till att ventilationen är fullgod kring maskinen när den används
- Låt inte förståndshandikappade använda produkten utan tillsyn.
- Låt inte barn använda eller leka med apparaten.

- Använd apparaten endast för avsett ändamål i hemmet. Kenwood tar inte på sig något ansvar om apparaten används på felaktigt sätt eller om dessa instruktioner inte följs.

innan du ansluter maskinen till eluttaget:

- Förvissa dig om att nätspänningen är densamma som anges på skylten på maskinens undersida.
- Denna maskin uppfyller direktiv 89/336/EEG.

innan du använder bakmaskinen första gången:

- Tvätta av alla delar (se "Rengöring").

delar

- ① handtag till lucka
- ② insynsfönster
- ③ bärhandtag
- ④ tråggrok
- ⑤ värmeelement
- ⑥ handtag till tråg
- ⑦ degblandare
- ⑧ drivaxel
- ⑨ drivkoppling
- ⑩ mätkopp
- ⑪ dubbel mätsked, 1 tsk & 1 msk
- ⑫ på/av-knapp
- ⑬ manöverpanel
- ⑭ displayfönster
- ⑮ färgindikatorer för skorpan (ljus, medel, mörk)
- ⑯ storleksindikatorer för limpör
- ⑰ menytagent
- ⑱ tangent för limpstorlek
- ⑲ tangenter för fördröjningstidur
- ⑳ tangent för färg på skorpan
- ㉑ start- /stopptangent

så här mäter du ingredienser (se bilderna 3 till 7)

För bästa resultat är det synnerligen viktigt att du mäter upp ingredienserna exakt.

- Mät alltid upp flytande ingredienser i den genomskinliga mätkoppen med hjälp av koppens markeringar. Vätskan ska nå precis till markeringen på koppen i ögonhöjd, varken över eller under (se 3).
- ▲ Använd alltid vätskor vid rumstemperatur (20°C), om du ▼ inte snabbakar bröd med 1-timmessproceduren. Följ anvisningarna i receptavsnittet.
- Använd alltid den medlevererade mätskeden för att mäta upp mindre mängder av torra eller flytande ingredienser. För 1 tsk eller 1 msk ska skeden vara fylld upp till kanten och struken (se 6).

på/av-knapp

Kenwood-bakmaskinen har en PÅ/AV-knapp och fungerar inte förrän du tryckt på "PÅ"-knappen.

- Sätt i kontakten och tryck på PÅ/AV-knappen ⑫ som sitter på baksidan av bakmaskinen - 3:00 visas i teckenfönstret.
- Glöm inte att alltid stänga av bakmaskinen och dra ut kontakten efter användning.

programschema för bröd /deg

Program		Total programtid		Signal för tillsats av ingredienser★		Varmhållning ★★
		900g	700g	900g	700g	
1 Grundrecept	Brödrecept på vetemjöl eller rågsikt	3:00	2:53	2:20	2:15	60
2 Fransnbröd	Ger en krispigare skorpa och passar för limpor med låg fett- och sockerhalt	3:50	3:40	2:35	2:30	60
3 Fullvetebröd	Recept med fullvete- eller fullkornsmjöl	3:40	3:32	-	-	60
4 Mjuk kaka	Tunna bröd- & mjuka kakor utan jäst	1:40		-		60
5 Sött bröd	Brödrecept med hög sockerhalt	2:55	2:50	2:30	2:25	60
6 Snabbröd 700g	Ger limpor på mindre än en timme.	0:58		-		60
7 Snabbröd 900g	Till limporna behövs varmt vatten, extra jäst och mindre salt	0:58		-		60
8 Deg	Deg för manuell formning och gräddning i din egen ugn	1:30		-		-
9 Marmelad	För marmeladframställning	1:20		-		-
10 Glutenfritt	För användning med glutenfritt mjöl och glutenfria brödmixer	2:50		-		60
11 Sandwich	Limpor med mjukare skorpa och tätare struktur	3:00	2:55	2:04	1:59	60
12 Gräddning	Läge för enbart gräddning. Kan också användas för att värma eller göra redan gräddade och avsvalnade limpor krispiga	1:00		-		60

★ **En signal kommer att ljuda före den andra knådningen för tillsats av ingredienser, om detta rekommenderas i receptet**


★★ **Bakmaskinen kommer att automatiskt gå över i varmhållnings-läget i slutet av gräddningsförloppet. Den kommer att stå kvar i detta läge i upp till en timme eller till dess att maskinen stängs av, beroende på vilket som inträffar först.**

fördröjningstidur

Fördröjningstiduret gör det möjligt för dig att fördröja bakningen med upp till 13 timmar. Fördröjd start bör inte användas i kombination med deg, marmelad, glutenfritt eller snabbak.

OBS! När du utnyttjar denna fördröjda startfunktion får du inte använda ömtåliga ingredienser, d v s sådant som lätt blir förstört vid rums- eller högre temperatur, t ex mjölk, ägg, ost och yoghurt.

För att använda fördröjningstiduret behöver du bara fylla ingredienserna i tråget och låsa fast detta i maskinen samt:

- Trycka på MENY-tangenten  för att välja önskat program – den tid som behövs för programmet visas på displayen.
- Välja önskad färg på skorpan och storlek.
- Sedan ställa in fördröjningstiduret.
- Trycka på tidurets (+)-tangent upprepade gånger till dess att den önskade totala tiden visas. Skulle du gå förbi den önskade tiden, trycker du på (-)-tangenten för att backa. En tryckning på tidurstangenterna ger en stegning med 10 minuter. Du behöver inte räkna ut skillnaden mellan den valda programtiden och det totala antal timmar som behövs, eftersom bakmaskinen automatiskt räknar in tiden för det inställda programmet.

Exempel: Du vill ha en färdig limpa klockan 7 på morgonen. Om du gör iordning bakmaskinen med de erforderliga ingredienserna klockan 22 kvällen före, så blir den totala tid du ska ställa in på fördröjningstiduret 9 timmar.

- Tryck på MENY-tangenten för att välja program, t ex 1, och använd tidurets (+)-tangent för att stega dig fram i steg om 10 minuter tills displayen visar 9:00. Skulle du gå förbi detta läge trycker du bara på (-)-tangenten tills du kommer tillbaka dit.
- Tryck på starttangenten, så börjar displayens kolon (:) att blinka och tiduret börjar nedräkningen.
- Skulle du göra något misstag eller vill ändra tidsinställningen ska du trycka på START-/STOPP-tangenten tills du hör ett pip. Då kan du ställa om tiden.



3:00



09:00



09:00

strömavbrottsskydd

Bakmaskinen har ett 15 minuters strömavbrottsskydd för det fall kontakten av misstag dras ut ur uttaget när maskinen är igång. Den fortsätter programmet, om den ansluts igen omgående.

skötsel och rengöring

OBS! Dra ut bakmaskinens kontakt ur uttaget och låt den svalna före rengöring.

- Du får varken doppa bakmaskinen eller utsidan på trågets sockel i vatten.
- Använd inte diskmaskin för rengöring av tråget, eftersom detta kan skada dess vidhäftningsskydd, så att brödet fastnar vid gräddningen.
- Använd inte slipande eller metallredskap för rengöringen.
- Rengör tråg och degblandare omedelbart efter varje användning genom att delvis fylla tråget med varmt tvålatten. Låt stå i 5-10 minuter. Degblandaren ska vridas medurs och lyftas upp för att tas bort. Avsluta rengöringen med en mjuk trasa, skölj och torka. Skulle det inte gå att få bort degblandaren efter 10 minuter, ska du ta tag i axeln under tråget och vrida fram och tillbaka till dess degblandaren lossar.
- Använd en mjuk, fuktad trasa för att vid behov rengöra bakmaskinens ut- och invändiga ytor.

service och kundtjänst

- Skulle sladden skadas måste den av säkerhetsskäl bytas ut av tillverkaren eller av denne auktoriserad verkstad.

Behöver du hjälp med:

- användningen av bakmaskinen
 - service eller reparationer
- kontakta då den butik, där du har köpt bakmaskinen.

Recept (tillsätt ingredienserna i tråget i den ordning de räknas upp i recepten)

Grundrecept vitt bröd

Program 1

Ingreienser	900 g	700 g
Vatten	320 ml	270 ml
Vegetabilisk olja	1½ msk	1 msk
Vetemjöl	500 g	400 g
Skummjölkspulver	5 tsk	1 msk
Salt	1½ tsk	1 tsk
Socket	1 msk	2 tsk
Torrjäst	7 g (2¼ tsk)	1½ tsk

tsk = 5 ml tesked

msk = 15 ml matsked

Fullkornsbörd med frön

Program 3

Ingreienser	900 g	700 g
Vatten	310 ml	250 ml
Vegetabilisk olja	1½ msk	1 msk
Fullkornsmjöl	450 g	370 g
Vetemjöl	50 g	30 g
Skummjölkspulver	5 tsk	3 tsk
Salt	1 tsk	1 tsk
Socket	4 tsk	3 tsk
Torrjäst	1 tsk	1 tsk
Pumpafrön	1 msk	2 tsk
Solrosfrön	1 msk	2 tsk
Vallmofrön	2 tsk	2 tsk
Lättröstade sesamfrön	2 tsk	2 tsk

1. Tillsätt alla frön när maskinen avger en ljudsignal under den andra knådningen.

Sött bröd

Program 5

Ingreienser	900 g	700 g
Mjök	200 ml	160 ml
Ägg	2	1
Smält smör	140 g	80 g
Vetemjöl	500 g	400 g
Salt	1½ tsk	1 tsk
Socket	60 g	40 g
Torrjäst	2 tsk	1½ tsk

Vitt snabbbröd

Program 6-7

Ingreienser	900 g	700 g
Ljummet vatten (32-35°C)	320 ml	250 ml
Vetemjöl	500 g	400 g
Skummjölkspulver	5 tsk	4 tsk
Salt	1 tsk	1 tsk
Socket	4 tsk	3 tsk
Smör	25 g	15 g
Torrjäst	4 tsk	3 tsk

Brödrullar

Program 8

Ingreienser	Ger 12 st
Vatten	240 ml
Ägg	1
Vetemjöl	450 g
Salt	1 tsk
Socket	2 tsk
Smör	25 g
Torrjäst	1½ tsk
För pensling:	
Äggula vispad med 15 ml (1 msk) vatten	1
Om så önskas kan sesam- och vallmofrön strös över	

1. Efter avslutad blandning ska degen stjälpas upp på lätt mjölad yta. Platta försiktigt ut degen, dela upp den i 12 lika delar och forma för hand.
2. Låt degen jäsa färdigt efter formningen och grädda sedan i din vanliga ugn.

felsökningsschema


Här nedan beskrivs några av de vanligaste problem, som kan uppstå när du bakar bröd i bakmaskinen. Läs igenom dessa exempel, de troliga orsakerna och vilka åtgärder du då ska vidta för att lyckas med din bakning.

PROBLEM	TROLIGA ORSAKER	ÅTGÄRD
LIMPANS STORLEK OCH FORM		
1. Brödet jäser inte tillräckligt	<ul style="list-style-type: none"> • Fullkornslimpor blir inte lika höga som vitt bröd p g a att det finns mindre glutenbildande protein i fullkornsmjöl • Inte tillräckligt med vätska • Sockret bortglömt eller inte nog mycket tillsatt • Fel typ av mjöl har använts • Fel typ av jäst har använts • Inte tillräckligt med jäst tillsatt eller jästen för gammal • Snabbbakningsförloppet har valts • Jäst och socker kom i kontakt med varandra före blandningen 	<ul style="list-style-type: none"> • Normal situation, ingen åtgärd • Öka vätskemängden med 15 ml / 3 tsk • Blanda ingredienserna i den ordning de räknas upp i receptet • Du kanske har använt fel typ av vetemjöl med för låg glutenhalt • Använd inte universalmjöl • För bästa resultat ska du enbart använda torrjäst • Mät upp rekommenderad mängd och kontrollera förpackningens bäst-före-datum • Denna procedur ger kortare limpor – detta är normalt • Se till att hålla isär dem när de tillsätts i tråget
2. Platta limpor, ingen jänsning	<ul style="list-style-type: none"> • Jästen bortglömd • Jästen för gammal • Vätskan för varm • För mycket salt tillsatt • Om du använder tiduret: jästen blev blöt innan bakningen startade 	<ul style="list-style-type: none"> • Blanda ingredienserna i den ordning de räknas upp i receptet • Kontrollera bäst-före-datum • Använd vätska med rätt temperatur för det valda programmet • Använd rekommenderad mängd • Placera de torra ingredienserna i tråghörnen och gör en liten fördjupning i mitten av dessa för jästen, för att skydda den från vätskor
3. Ovansidan "uppumpad" – svamplikt utseende	<ul style="list-style-type: none"> • För mycket jäst • För mycket socker • För mycket mjöl • Inte tillräckligt med salt • Varm, fuktig väderlek 	<ul style="list-style-type: none"> • Minska jästmängden med ¼ tsk • Minska sockermängden med 1 tsk • Minska mjölmängden med 6 till 9 tsk • Använd den mängd salt som rekommenderas i receptet • Minska vätskemängden med 15 ml / 3 tsk och jästen med ¼ tsk
4. Urgröpningsar upptill och på sidorna	<ul style="list-style-type: none"> • För mycket vätska • För mycket jäst • Hög luftfuktighet och varmt väder kan ha lett till att degen jaste för snabbt 	<ul style="list-style-type: none"> • Minska vätskemängden med 15 ml / 3 tsk nästa gång eller tillsätt lite mera mjöl • Använd den mängd som rekommenderas i receptet eller försök ett snabbare program nästa gång • Kyl vattnet eller tillsätt mjölk direkt från kylan
5. Knölig, knottrig och ojämn översida	<ul style="list-style-type: none"> • Inte tillräckligt med vätska • För mycket mjöl • Limpornas ovansidor kanske inte alla är perfekt formade men detta påverkar inte brödets underbara smak 	<ul style="list-style-type: none"> • Öka vätskemängden med 15 ml / 3 tsk • Mät upp mjölmängden exakt • Se till att degen framställs under bästa tänkbara förhållanden

felsökningsschema (forts)

PROBLEM	TROLIGA ORSAKER	ÅTGÄRD
LIMPANS STORLEK OCH FORM		
6. Brödet föll ihop under gräddningen	<ul style="list-style-type: none"> • Maskinen stod i drag eller har varit utsatt för stötar eller rubbningar under jäsnigen • Trågets kapacitet överskriden • Inte tillräckligt med salt eller bortglömt (saltet hjälper till att hindra degen från överjäsning) • För mycket jäst • Varm. Fuktig väderlek 	<ul style="list-style-type: none"> • Flytta maskinen • Använd inte mer ingredienser än vad som rekommenderats för stora limpor (max 900 g) • Använd den i receptet rekommenderade saltmängden • Mät upp jästen noggrant • Minska vätskemängden med 15 ml/3 tsk och jästen med ¼ tsk
7. Limporna ojämnt kortare i ena änden	<ul style="list-style-type: none"> • Degen alltför torr, så att den inte kan jäsa jämnt i tråget 	<ul style="list-style-type: none"> • Öka vätskemängden med 15 ml / 3 tsk
BRÖDETS STRUKTUR		
8. Tung, tät struktur	<ul style="list-style-type: none"> • För mycket mjöl • Inte tillräckligt med jäst • Inte tillräckligt med socker 	<ul style="list-style-type: none"> • Mät upp noggrant • Mät upp rätt mängd rekommenderad jäst • Mät upp noggrant
9. Öppen, skiktad, hålig struktur	<ul style="list-style-type: none"> • Salt bortglömt • För mycket jäst • För mycket vätska 	<ul style="list-style-type: none"> • Blanda ingredienserna i den ordning de räknas upp i receptet • Mät upp rätt mängd rekommenderad jäst • Minska vätskemängden med 15 ml / 3 tsk
10. Limpan är degig i mitten, inte tillräckligt gräddad	<ul style="list-style-type: none"> • För mycket vätska • Strömavbrott under drift • Mängderna var för stora för att maskinen skulle klara dessa 	<ul style="list-style-type: none"> • Minska vätskemängden med 15 ml / 3 tsk • Vid ett ev strömavbrott förblir bakmaskinen frånslagen till dess strömmen återvänder. Då måste du ta bort den ogräddade limpan ur tråget och börja om med nya ingredienser • Minska mängderna till tillåtna maximimängder
11. Det blir inga fina skivor av brödet, skivorna "klibbar ihop"	<ul style="list-style-type: none"> • Brödet skivat när det är för varmt • Du använder fel typ av kniv 	<ul style="list-style-type: none"> • Låt brödet svalna på galler minst 30 minuter för att ångan ska hinna dunsta innan du skivar det • Använd en ordentlig brödkniv
SKORPANS FÄRG OCH TJOCKLEK		
12. Mörk färg på skorpan / för tjock	<ul style="list-style-type: none"> • Inställning för MÖRK skorpa har använts 	<ul style="list-style-type: none"> • Använd inställning "medel" eller "ljus" nästa gång
13. Limpan är bränd	<ul style="list-style-type: none"> • Bakmaskinen fungerar inte som den ska 	<ul style="list-style-type: none"> • Se avsnittet om "Service och kundtjänst"
14. Skorpan är för ljus	<ul style="list-style-type: none"> • Brödet inte gräddat tillräckligt länge • Inget mjölkpulver eller färsk mjölk i receptet 	<ul style="list-style-type: none"> • Öka på gräddningstiden • Tillsätt 15 ml / 3 tsk skummjörkspulver eller byt ut hälften av vattnet mot mjölk för att få brunare yta

felsökningsschema (forts)

PROBLEM	TÄNKBARA ORSAKER	ÅTGÄRD
TRÅGPROBLEM		
15. Det går inte få loss degblandaren	<ul style="list-style-type: none"> • Du måste hålla vatten i tråget och låta degblandaren ligga i blöt innan den går att lossa 	<ul style="list-style-type: none"> • Följ rengöringsanvisningarna efter användning. Du kanske behöver vrida degblandaren något efter blötläggningen för att lossa den • Torka av insidan av tråget försiktigt med vegetabilisk olja • Se avsnittet "Service och kundtjänst"
16. Brödet fastnar i tråget / svårt att stjäpla ut	<ul style="list-style-type: none"> • Kan inträffa efter långvarig användning 	<ul style="list-style-type: none"> • Torka av insidan av tråget försiktigt med vegetabilisk olja • Se avsnittet "Service och kundtjänst"
MASKINENS MEKANISKA DELAR		
17. Bakmaskinen fungerar inte / degblandaren rör sig inte	<ul style="list-style-type: none"> • Bakmaskinen är inte påslagen • Tråget är inte rätt insatt • Fördröjningstiduret är inkopplat 	<ul style="list-style-type: none"> • Kontrollera att på/av-knappen  är i läget PÅ. • Kontrollera att tråget är låst i läge • Maskinen startar inte förrän nedräkningen till start avslutats
18. Ingredienserna inte blandade	<ul style="list-style-type: none"> • Du har inte startat bakmaskinen • Du har glömt att sätta in degblandaren i tråget 	<ul style="list-style-type: none"> • Efter programmeringen ska du trycka på starttangentsen för att sätta igång maskinen • Se alltid till att degblandaren sitter på axeln i botten av tråget innan du tillsätter ingredienserna
19. Det luktar bränt när maskinen körs	<ul style="list-style-type: none"> • Ingredienser har spillts ut inne i ugnen • Tråget läcker • Trågets kapacitet har överskridits 	<ul style="list-style-type: none"> • Var försiktig, så att du inte spiller när du tillsätter ingredienser. De kan bränna fast på värmeelementet och ge upphov till rök • Se avsnittet "Service och kundtjänst" • Använd inte mer ingredienser än vad som rekommenderas i receptet och mät alltid upp dem exakt
20. Maskinkontakten har dragits ur av misstag eller strömavbrott under drift. Hur kan jag rädda brödet?	<ul style="list-style-type: none"> • Om maskinen håller på med blandningsförloppet ska du kassera ingredienserna och börja om på nytt • Om maskinen håller på med jäsningsen ska du tömma degen ur tråget, forma den och placera den i smord form 23 x 12,5 cm, täcka över och låta den jäsa till dubbel storlek. Använd gräddningsläget 12 eller grädda i förvärmad, vanlig ugn vid 200°C i 30-35 minuter eller tills brödet fått gyllenbrun färg • Om maskinen håller på med gräddningen ska du använda gräddningsläget 12 eller grädda i förvärmad, vanlig ugn vid 200°C. Lyft försiktigt bort tråget ur maskinen och placera det på gallret längst ned i ugnen. Grädda tills brödet fått gyllenbrun färg 	
21. H:HH visas på displayen och maskinen kan inte sättas igång	<ul style="list-style-type: none"> • Ugnen är för varm 	<ul style="list-style-type: none"> • Dra kontakten ur uttaget och låt svalna i 30 minuter
22. E:EE visas på displayen och maskinen går inte	<ul style="list-style-type: none"> • Bakmaskinen fungerar inte. Temperaturivarfel 	<ul style="list-style-type: none"> • Se avsnittet "Service och kundtjänst"

Norsk

Brett ut framsiden med illustrasjoner

før du tar Kenwood-apparatet i bruk

- Les nøye gjennom denne bruksanvisningen og ta vare på den slik at du kan slå opp i den senere.
- Fjern all emballasje og eventuelle etiketter, inkludert pappstøtten inni stekerrommet.

sikkerhet

- Ikke berør varme overflater. Tilgjengelige overflater kan bli varme ved bruk. Bruk alltid gryteklutur til å ta ut den varme brødformen.
- For å forhindre søl inni stekerrommet skal du alltid fjerne brødformen fra maskinen før du har i ingrediensene. Ingredienser som skvetter på varmeelementet kan brenne og føre til røyk.
- Ikke bruk denne maskinen dersom det er synlig tegn på skade på strømledningen, eller dersom den ved et uhell er blitt sluppet ned.
- Ikke legg maskinen, ledningen eller støpselet i vann eller annen væske.
- Trekk alltid støpselet ut av kontakten etter bruk, før du setter på eller fjerner deler, og før rengjøring.
- Ikke la den elektriske ledningen henge ut over kanten på benken, eller la den berøre varme overflater som f.eks. gass eller elektriske kokeplater.
- Maskinen skal bare brukes på en flat, varmebestandig overflate.
- Ikke ha hånden inni stekerrommet etter at brødformen er tatt ut, da det er svært varmt.
- Ikke berør bevegelige deler i brødmaskinen.
- Ikke overstig maksimumskapasitetene som er oppgitt, da dette kan føre til at brødmaskinen blir for full.
- Ikke sett brødmaskinen direkte i sollyset, nær varme apparater eller i trekk. Alt dette kan påvirke den innvendige temperaturen i ovnen, som kan ødelegge resultatet.
- Dersom det oppstår strømbrudd etter at ingrediensene er delvis prosessert, må du begynne på nytt igjen.
- Ikke bruk denne maskinen utendørs.
- Ikke bruk brødmaskinen når den er tom, da det kan påføre den alvorlig skade.
- Ikke bruk stekerrommet som oppbevaringssted.
- Ikke dekk til dampventilene i lokket, og sørg for at det er tilstrekkelig ventilasjon rundt brødmaskinen når den er i bruk.
- La ikke personer med bevegelsesbegrensning bruke apparatet uten tilsyn.
- Barn skal verken bruke eller leke med apparatet.

- Bruk bare apparatet til dets tiltenkte hjemlige bruk. Kenwood frasier seg ethvert ansvar ved feilaktig bruk eller dersom apparatet ikke er brukt i henhold til denne bruksanvisningen

før du setter i støpselet

- Forsikre deg om at nettspenningen er i overensstemmelse med det som står på undersiden av brødmaskinen.
- Denne maskinen er i overensstemmelse med EØS-direktiv 89/336/EEC

før du tar brødmaskinen i bruk for første gang

- Vask alle delene (se rengjøring)

deler

- ① lokkhåndtak
- ② vindu
- ③ bærehåndtak
- ④ formkrok
- ⑤ varmeelement
- ⑥ brødfornhåndtak
- ⑦ elteblad
- ⑧ drivaksel
- ⑨ drivkopling
- ⑩ målebeger
- ⑪ dobbel måleskje 1 ts og 1 ss
- ⑫ på/av-bryter
- ⑬ kontrollpanel
- ⑭ displayvindu
- ⑮ skorpefargeindikatorer (lys, middels, mørk)
- ⑯ brødstørrelseindikatorer
- ⑰ menyknapp
- ⑱ brødstørrelse-knapp
- ⑲ utsettelses-knapper
- ⑳ skorpefarge-knapp
- ㉑ start/stopp-knapp

slik måler du ingrediensene (se ill. 3 til 7)

Det er ytterst viktig å bruke nøyaktig oppmålte ingredienser for best resultater.

- Mål alltid væsker i det vedlagte gjennomsiktige begeret med graderingsmerker. Væsken skal knapt nå til merket på begeret i synshøyde, ikke over eller under (se 3)
- Bruk alltid væsker med romtemperatur, 20 °C, med mindre du lager brød ved hjelp av den raske 1 timerssyklusen. Følg bruksanvisningen i delen om oppskrifter.
- Bruk alltid den vedlagte måleskjeen til å måle mindre mengder tørre og våte ingredienser. For 1 ts eller 1 ss skal skjeen være strøken (se 6).

på/av-bryter

Kenwood brødmaskinen er utstyrt med en PÅ/AV-bryter, og fungerer ikke før du har trykket ned "på"-bryteren.

- Sett støpselet i kontakten og trykk på PÅ/AV-bryteren ⑫ som finnes bak på brødmaskinen - 3:00 kommer til syne på displayet.
- Slå alltid brødmaskinen av og trekk ut støpselet etter bruk.

bruke brødmaskinen

(se illustrasjonspanelet)

- 1 Ta ut brødformen ved å holde i håndtaket og dreie formen til baksiden av maskinen.
- 2 Sett på eltebladet.
- 3 Hell vannet i brødformen.
- 4 Ha resten av ingrediensene i formen, i rekkefølgen som er oppgitt i oppskriftene. Sørg for at alle ingrediensene veies nøye da feil mål gir dårlige resultater.
- 7
- 8 Sett brødformen i stekerommet ved å plassere den i vinkel mot maskinens bakside. Lås så formen ved å dreie den mot fronten.
- 9 Senk håndtaket og lukk lokket.
- 10 Sett støpselet i kontakten og slå maskinen på – enheten avgir en pipelyd og går til standardinnstillingen 1 (3:00).
- 11 Trykk inn MENU(meny)-knappen ⑰ til ønsket program er valgt. Brødmaskinen har 900 g og middels skorpefarge som standard.
- 12 Velg brødstørrelse ved å trykke inn LOAF SIZE(brødstørrelse)-knappen ⑱ til indikatoren flytter seg til ønsket brødstørrelse.
- 13 Velg skorpefarge ved å trykke inn CRUST(skorpe)-knappen ⑳ til indikatoren flytter seg til ønsket skorpefarge (lys, middels eller mørk).
- 14 Trykk inn START-knappen ㉑. Programmet avsluttes eller stanses ved å trykke inn START/STOP-knappen i 2 – 3 sekunder.
- 15 På slutten av stekesyklusen trekker du støpselet ut av kontakten.
- 16 Bruk kroken til å løfte opp formhåndtaket.
- 17 Ta ut brødformen ved å holde håndtaket og vri formen mot baksiden av maskinen. **Bruk alltid grytekluter da håndtaket er varmt.**
- 18 Ta brødet ut av formen og legg det til avkjøling på rist.
- 19 La brødet avkjøles i minst 30 minutter før du skjærer i det, slik at dampen slipper ut. Det er vanskelig å skjære brødet hvis det er varmt.
- 20 Rengjør brødformen og eltebladet umiddelbart etter bruk (se stell og rengjøring).

programtabell for brød/deig

program		Total programtid		Alarm for tilsetning av ingredienser*		Hold varm**
		900g	700g	900g	700g	
1 basis	Oppskrifter på loff eller kneip	3:00	2:53	2:20	2:15	60
2 fransk	Gir en sprøere skorpe og passer til brød med lite fett og sukker	3:50	3:40	2:35	2:30	60
3 grovbrød	Oppskrifter på grovbrød	3:40	3:32	-	-	60
4 kake	Brød uten gjær, og kaker	1:40		-		60
5 søtt	Brøduppskrifter med mye sukker	2:55	2:50	2:30	2:25	60
6 hurtig 700 g	Gir brød på under 1 time. Brødene må ha varmt vann, ekstra gjær og mindre salt.	0:58		-		60
7 hurtig 900 g		0:58		-		60
8 deig	Deig til forming for hånd og steking i vanlig ovn.	1:30		-		-
9 syltetøy	Til sylting	1:20		-		-
10 glutenfritt	Til bruk med glutenfritt mel og glutenfrie brødmikser.	2:50		-		60
11 smørbrød	Mykere skorpe og tettere brød	3:00	2:55	2:04	1:59	60
12 steking	Kun stekefunksjon. Kan dessuten brukes til å varme opp eller få sprø skorpe på brød som allerede er stekte og avkjølte.	1:00		-		60

☆ **Du hører en alarm før andre eltesyklus er avsluttet, slik at du kan tilsette ingredienser hvis oppskriften anbefaler det.**


☆☆ **Brødmaskinen går automatisk inn i hold varm-modus på slutten av stekesyklusen. Den forblir i denne hold varm-modusen i inntil én time eller til maskinen slås av, avhengig av hva som kommer først.**

utsettelsesfunksjon

Utsettelsesuret gjør at du kan utsette brødstekingsprosessen i inntil 13 timer. Den utsatte starten anbefales ikke til bruk med innstillingene deig, syltetøy, glutenfri eller hurtig.

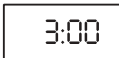
VIKTIG: Når du bruker utsettelsesfunksjonen må du ikke bruke lett bederfelige ingredienser – ting som lett blir "sure" ved romtemperatur eller over, f.eks. melk, egg, ost og yoghurt osv.

Bruk DELAY TIMER (utsettelsesfunksjonen) og ha ingrediensene i brødformen og lås formen inn i brødmaskinen. Deretter:

- Trykk på MENU-knappen  for å velge ønsket program – programsyklustiden vises.
- Velg ønsket skorpefarge og størrelse.
- Still så tidsuret.
- Trykk på (+) TIMER-knappen og trykk til du ser ønsket total tid. Hvis du går over ønsket tid trykker du på (-) TIMER-knappen for å gå tilbake. Når timer-knappen trykkes inn beveger den seg i trinn på 10 minutter. Du trenger ikke regne ut forskjellen mellom valgt programtid og nødvendig totale timer da brødmaskinen automatisk inkluderer innstillingstiden.

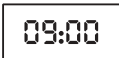
Eksempel: Ferdig brød kl 07.00. Hvis brødmaskinen er oppsatt med nødvendige oppskrifts ingredienser kl 22 kvelden før, er tiden som skal stilles inn på utsettelsesuret 9 timer.

- Trykk på MENU-knappen for å velge program f.eks. 1, og bruk (+) timer-knappen til å bla gjennom tiden i trinn på 10 minutter til det viser "9:00".



Hvis du går forbi "9:00", trykker du ganske enkelt på (-) timer-knappen til du kommer tilbake til "9:00".

- Trykk på startknappen og kolon (:) blinker. Klokken starter nedtellingen.



- Hvis du gjør en feil eller vil forandre den innstilte tiden, trykker du på START/STOP-knappen til det piper. Du kan nå stille tiden inn igjen.



beskyttelse mot strømbrudd

Brødmaskinen har en 15 min beskyttelse mot strømbrudd i tilfelle støpselet ved en feiltakelse blir trukket ut av kontakten når maskinen er i bruk. Maskinen fortsetter programmet dersom støpselet settes inn igjen med én gang.

stell og rengjøring

VIKTIG: trekk støpselet ut av kontakten og la brødmaskinen avkjøles før rengjøring.

- Ikke legg selve brødmaskinen eller det utvendige understellet på brødformen i vann.
- Ikke vask brødformen i oppvaskmaskin. Oppvaskmaskinen kan skade slippbelegget i brødformen, slik at brødet setter seg fast under steking.
- Ikke bruk skurekoster eller metallredskap.
- Rengjør brødformen og eltebladet umiddelbart etter hver bruk ved å fylle formen delvis med varmt såpevann. La det bløtes i 5 til 10 minutter. Eltebladet tas ut ved å vri den med urviserne og løft av. Avslutt rengjøringen med en myk klut, skyll og tørk.

Hvis eltebladet ikke kan fjernes etter 10 minutter skal du holde i akselen fra undersiden av formen og vri fram og tilbake til eltebladet frigjøres.

- Bruk en myk, fuktig klut til å rengjøre ut- og innsiden av brødmaskinen om nødvendig.

service og kundetjeneste

- Hvis ledningen er skadet må den av sikkerhetsmessige årsaker erstattes av KENWOOD eller en autorisert KENWOOD-reparatør.

Hvis du trenger hjelp med:

- å bruke brødmaskinen
 - service eller reparasjoner
- kontakt forhandleren der du kjøpte brødmaskinen.

Oppskrifter (ha ingrediensene i formen i samme rekkefølgen som de oppgis i oppskriftene)

Vanlig loff

Program 1

Ingridienser	900 g	700 g
Vann	320 ml	270 ml
Vegetabilsk olje	1½ ss	1 ss
Hvetemel	500 g	400 g
Skummet tørrmelk	5 ts	1 ss
Salt	1½ ts	1 ts
Sukker	1 ss	2 ts
Tørrgjær	7 g (2¼ ts)	1½ ts

ts = 5 ml teskje

ss = 15 ml spiseskje

Grovbrød med frø

Program 3

Ingridienser	900 g	700g
Vann	310 ml	250 ml
Vegetabilsk olje	1½ ss	1 ss
Grovt sammalt mel	450 g	370 g
Hvetemel	50 g	30 g
Skummet tørrmelk	5 ts	3 ts
Salt	1 ts	1 ts
Sukker	4 ts	3 ts
Tørrgjær	1ts	1 ts
Gresskarfrø	1 ss	2 ts
Solsikkefrø	1 ss	2 ts
Valmuefrø	2 ts	2 ts
Lett ristede sesamfrø	2 ts	2 ts

1. Ha i frøene når du hører en lyd fra maskinen i løpet av den andre eltesyklusen.

Brioche

Program 5

Ingridienser	900 g	700 g
Melk	200 ml	160 ml
Egg	2	1
Smør, smeltet	140 g	80 g
Hvetemel	500 g	400 g
Salt	1½ ts	1ts
Sukker	60 g	40 g
Tørrgjær	2tsp	1½ ts

Rask loff

Program 6-7

Ingridienser	900 g	700 g
Vann, lunkent (32-35 °C)	320 ml	250 ml
Hvetemel	500 g	400 g
Skummet tørrmelk	5 ts	4 ts
Salt	1 ts	1 ts
Sukker	4 ts	3 ts
Smør	25 g	15 g
Tørrgjær	4 ts	3 ts

Rundstykker

Program 8

Ingridienser	12 stk.
Vann	240 ml
Egg	1
Hvetemel	450 g
Salt	1 ts
Sukker	2 ts
Smør	25 g
Tørrgjær	1½ ts
Oppå:	
Eggeplomme vispet med 15 ml (1 ss) vann	1
Strø over sesamfrø og valmuefrø om ønskelig	

- 1 På slutten av syklusen skal du ha deigen på en lett melet overflate. Slå deigen forsiktig sammen og del den i 12 like deler og trill til rundstykker.
- 2 Etterpå lar du rundstykkene heve seg igjen, og deretter stekes de i vanlig ovn.

feilsøking


Nedenfor finner du noen typiske problemer som kan oppstå når du baker brød i brødmaskinen. Gå gjennom problemene, mulige årsaker og tiltak som bør treffes for å sikre vellykket brødsteking.

PROBLEM	MULIG ÅRSAK	LØSNING
BRØDSTØRRELSE OG FASONG		
1. Brødet hever seg ikke nok	<ul style="list-style-type: none"> Grovbrød er lavere enn loff pga at det er mindre glutendannende protein i sammalt mel. Ikke nok væske. Sukker utelatt eller ikke nok tilsatt. Brukt feil meltype. Brukt feil gjærtype. Ikke tilsatt nok gjær, eller den er for gammel. Du har valgt syklus for hurtigbaking. Gjær og sukker kom i kontakt med hverandre før eltesyklusen. 	<ul style="list-style-type: none"> Normal situasjon, ingen løsning. Øke væskemengden med 15 ml/3 ts. Ha i ingrediensene i samme rekkefølge som oppgitt i oppskriften. Du har kanskje brukt finsiktet hvetemel i stedet for spesialmel til brødbaking, som har høyere gluteninnhold. Ikke bruk vanlig mel. For best resultater skal du bare bruke tørrgjær. Mål mengden som er anbefalt og sjekk utløpsdatoen på pakken. Denne syklusen gir kortere brød. Dette er normalt. Pass på at de er atskilte når de tilsettes brødformen.
2. Flate brød, ikke hevet.	<ul style="list-style-type: none"> Gjæren er utelatt Gjæren er for gammel. Væsken er for varm. Tilsatt for mye salt. Hvis du bruker timeren ble gjæren våt før bakeprosessen startet. 	<ul style="list-style-type: none"> Ha i ingrediensene i samme rekkefølge som oppgitt i oppskriften. Sjekk utløpsdatoen. Bruk væske av riktig temperatur for brødnstillingen som benyttes. Bruk anbefalt mengde. Ha de tørre ingrediensene i hjørnene på formen og lag en liten fordypning i midten av de tørre ingrediensene til gjæren, slik at den beskyttes mot væsken.
3. Høy på toppen – ser ut som en sopp.	<ul style="list-style-type: none"> For mye gjær. For mye sukker. For mye mel. Ikke nok salt. Varmt, fuktig vær. 	<ul style="list-style-type: none"> Reduser gjær med ¼ ts. Reduser sukkeret med 1 ts. Reduser melmengden med 6 til 9 ts. Bruk saltmengden som anbefales i oppskriften. Reduser væsken med 15 ml/3 ts og gjær med ¼ ts.
4. Toppene og sidene faller sammen.	<ul style="list-style-type: none"> For mye væske. For mye gjær. Høy fuktighet og varmt vær kan ha ført til at deigen hever seg for raskt. 	<ul style="list-style-type: none"> Reduser væsken med 15 ml/3 ts neste gang eller sett til litt mer mel. Bruk mengden som anbefales i oppskriften, eller prøv en raskere syklus neste gang. Kjøøl vannet eller tilsett melk rett fra kjøleskapet
5. Brødet er ujevnt oppå.	<ul style="list-style-type: none"> Ikke nok væske. For mye mel. Toppene på alle brødene er ikke perfekte, men dette påvirker ikke den gode brødsmaken. 	<ul style="list-style-type: none"> Øk væskemengden med 1 ml/ 3 ts Mål melet nøyaktig. Sørg for at deigen lages ved de aller beste forholdene.

feilsøking (forts.)

PROBLEM	MULIG ÅRSÅK	LØSNING
BRØDSTØRRELSE OG FASONG		
6. Falt sammen under steking.	<ul style="list-style-type: none"> • Maskinen ble plassert i trekk eller kan ha blitt utsatt for støt eller dunk under hevingen. • For mye deig i brødformen. • Ikke nok salt eller utelatt salt (salt bidrar til å hindre at deigen hever seg for mye). • For mye gjær. • Varmt, fuktig vær. 	<ul style="list-style-type: none"> • Sett brødmaskinen på et annet sted. • Ikke bruk flere ingredienser enn det som er anbefalt for et stort brød (maks 900 g). • Bruk saltmengden som anbefales i oppskriften. • Mål gjæren nøyaktig. • Reduser væsken med 15 ml/3 ts og reduser gjæren med ¼ ts.
7. Brødene er ujevne, kortere i den ene enden.	<ul style="list-style-type: none"> • Deigen er for tørr og får ikke hevd seg jevnt i formen. 	<ul style="list-style-type: none"> • Øk væsken med 15 ml/3 ts.
BRØDKONSISTENS		
8. Tungt brød.	<ul style="list-style-type: none"> • For mye mel. • Ikke nok gjær. • Ikke nok sukker. 	<ul style="list-style-type: none"> • Mål nøyaktig. • Mål riktig mengde anbefalt gjær. • Mål nøyaktig.
9. Åpent, grovt, hullete brød.	<ul style="list-style-type: none"> • Salt utelatt. • For mye gjær. • For mye væske. 	<ul style="list-style-type: none"> • Ha i ingrediensene i samme rekkefølge som de er oppgitt i oppskriften. • Mål riktig mengde anbefalt gjær. • Reduser væsken med 15 ml/ 3 ts.
10. Brødet er rått i midten, ikke gjennomstekt.	<ul style="list-style-type: none"> • For mye væske. • Strøbrudd mens maskinen var i gang. • Mengdene var for store og maskinen kunne ikke takle det. 	<ul style="list-style-type: none"> • Reduser væsken med 15 ml/3 ts. • Hvis det oppstår strøbrudd når maskinen er i bruk, vil den fortsatt være av når strømmen kommer igjen. Du må ta det ustekte brødet ut av formen og begynne på nytt med ferske ingredienser. • Reduser mengdene til maksimalt tillatte mengder.
11. Det er vanskelig å skjære brødet, det er klissete.	<ul style="list-style-type: none"> • Skåret mens det er for varmt. • Bruker ikke riktig kniv. 	<ul style="list-style-type: none"> • La brødet avkjøles på rist i minst 30 minutter for å slippe ut damp, før du skjærer i det. • Bruk en god brødkniv.
SKORPEFARGE OG TYKKELSE		
12. Mørk skorpefarge/ for tykk.	<ul style="list-style-type: none"> • Innstilling for MØRK skorpe er brukt. 	<ul style="list-style-type: none"> • Bruk middels eller lys innstilling neste gang.
13. Brødet er brent.	<ul style="list-style-type: none"> • Brødmaskinen svikter. 	<ul style="list-style-type: none"> • Se delen om "Service og kundetjeneste" .
14. Skorpen er for lys.	<ul style="list-style-type: none"> • Brødet ikke stekt lenge nok. • Ikke tørmelk eller melk i oppskriften. 	<ul style="list-style-type: none"> • Forleng steketiden. • Tilsett 15 ml/3 ts skummet tørmelk eller erstatt 50 % av vannet med melk for å oppmuntre til brunig.

feilsøking (forts.)

PROBLEM	MULIG ÅRSÅK	LØSNING
PROBLEMER MED FORMEN		
15. Kan ikke ta ut eltebladet.	<ul style="list-style-type: none"> Du må ha vann i brødformen og la eltebladet ligge i bløt før det kan tas ut. 	<ul style="list-style-type: none"> Følg rengjøringsinstruksene etter bruk. Du må kanskje vri eltebladet litt etter bløtleggingen for å løse det.
16. Brødet henger ved formen/vanskelig å riste ut.	<ul style="list-style-type: none"> Kan skje ved langvarig bruk. 	<ul style="list-style-type: none"> Tørk innsiden av brødformen lett med vegetabilsk olje. Se delen om "Service og kundetjeneste".
TEKNISKE PROBLEMER		
17. Brødmaskinen virker ikke/eltebladet beveger seg ikke.	<ul style="list-style-type: none"> Brødmaskinen er ikke slått på Formen er ikke satt riktig i. Utsettelsesfunksjon er valgt. 	<ul style="list-style-type: none"> Sjekk at på/av-bryteren  står i AV-posisjonen. Sjekk at formen er låst på plass. Brødmaskinen starter ikke før nedtellingen når programmets starttid.
18. Ingrediensene er ikke blandet.	<ul style="list-style-type: none"> Startet ikke brødmaskinen. Glemte å sette eltebladet i formen. 	<ul style="list-style-type: none"> Etter at kontrollpanelet er programmert skal du trykke inn startknappen for å slå brødmaskinen på. Sørg alltid for at eltebladet sitter på akselen nederst i formen før du har i ingrediensene.
19. Det lukter svidd når maskinen går.	<ul style="list-style-type: none"> Solte ingredienser i stekerommet. Formen lekker. For mye deig i brødformen. 	<ul style="list-style-type: none"> Vær forsiktig slik at du ikke søler når du har ingrediensene i formen. Ingrediensene kan svis på varmeenheter og utvikle røyk. Se delen om "Service og kundetjeneste". Ikke bruk flere ingredienser enn anbefalt i oppskriften, og mål alltid ingrediensene nøyaktig.
20. Støpselet trekkes ut ved en feiltakelse, eller det er strøbrudd når maskinen går. Hvordan kan jeg redde brødet?	<ul style="list-style-type: none"> Hvis maskinen er i eltesyklus skal ingrediensene kastes og du må begynne på nytt. Hvis maskinen er i hevesyklus skal deigen tas ut av formen. Form den og ha i en smurt 23 x 12,5 cm brødform, dekk til og sett til heving til dobbelt størrelse. Bruk innstillingen kun for steking 12 eller stek i forvarmet vanlig ovn ved 200 °C/Gass 6 i 30-35 minutter, eller til det er gyllenbrunt. Hvis maskinen er i stekesyklus skal du bruke kun stekeinnsstillingen 12, eller steke i forvarmet vanlig ovn ved 200 °C/gass 6 og ta ut den øverste hyllen. Ta formen forsiktig ut av maskinen og sett den på den nederste hyllen i ovnen. Stekes til det er gyllenbrunt. 	
21. H:HH vises på displayet og maskinen kan ikke slås på.	<ul style="list-style-type: none"> Stekerommet er for varmt. 	<ul style="list-style-type: none"> Trekk ut støpselet og la maskinen avkjøles i 30 minutter.
22. E:EE vises på displayet og maskinen fungerer ikke.	<ul style="list-style-type: none"> Brødmaskinen svikter. Temperaturfølerfeil. 	<ul style="list-style-type: none"> Se delen om "Service og kundetjeneste".

Suomi

Taita auki etusivun kuvitukset

ennen kuin ryhdyt käyttämään tätä Kenwood-kodinkonetta

- Lue nämä ohjeet huolella ja säilytä ne myöhempiä tarvetta varten.
- Poista kaikki pakkaustarvikkeet ja tarrat, myös paistouunissa oleva pahvinen tuki.

turvallisuus

- Älä koske kuumiin pintoihin. Laitteen pinnat saattavat kuumentua käytön aikana. Käytä aina patakintaita poistaessasi kuuman leivän.
- Voit suojata paistouunia roiskeilta poistamalla leivonta-astian laitteesta ennen aineosien lisäämistä. Kuumennusvastuksiin osuvat roiskeet voivat palaa ja aiheuttaa savua.
- Älä käytä tätä laitetta, jos virtajohdossa on merkkejä vaurioitumisesta tai jos laite on vahingossa pudonnut.
- Älä upota tätä laitetta, virtajohtoa tai pistoketta veteen tai muihin nesteeseen.
- Irrota laitteen pistoke pistorasiasta aina käytön jälkeen sekä ennen osien kiinnittämistä tai irrottamista.
- Älä anna virtajohdon roikkua alas pöydän reunalta tai koskettaa kuumia pintoja, kuten liettä.
- Käytä laitetta vain tasaisella, kuumuutta kestäväällä alustalla.
- Älä työnnä kättä paistouuniin, kun leivonta-astia on poistettu. Paistouuni on hyvin kuuma.
- Älä koske leipäkoneen liikkuviin osiin.
- Älä ylitä ilmoitettua enimmäiskapasiteettia. Muutoin leipäkone voi ylikuormittua.
- Älä aseta leipäkoneita suoraan auringonpaisteeseen, lähelle kuumia laitteita tai vetoiseen paikkaan. Muutoin paistouunin lämpötila voi muuttua, jolloin lopputulos voi epäonnistua.
- Jos aineosien lisäämisen ja leivonnan aloittamisen jälkeen sattuu virtakatkos, joudut aloittamaan alusta.
- Älä käytä laitetta ulkona.
- Älä käytä leipäkoneita tyhjänä. Muutoin se voi vaurioitua.
- Älä varastoi mitään paistokammiossa.
- Älä tuki kannen höyryaukkoja. Varmista, että leipäkoneen ympärillä on riittävä ilmanvaihto käytön aikana.
- Älä anna lasten tai toimintarajoitteisten henkilöiden käyttää laitetta ilman valvontaa.
- Älä anna lasten käyttää leikkiä laitteella.

- Käytä laitetta ainoastaan sille tarkoitettuun kotitalouskäyttöön. Kenwood-yhtiö ei ole korvausvelvollinen, jos laitetta on käytetty väärin tai näitä ohjeita ei ole noudatettu.

ennen pistokkeen yhdistämistä pistorasiaan

- Varmista, että sähkövirta vastaa leipäkoneen pohjaan merkittyjä tietoja..
- Tämä laite täyttää direktiivin 89/336/EEC vaatimukset.

ennen leipäkoneen käyttämistä ensimmäistä kertaa

- Pese kaikki osat Puhdistaminen-kohdassa kuvatulla tavalla.

selitykset

- ① kannen kahva
- ② katseluikkuna
- ③ kantokahva
- ④ nostokoukku
- ⑤ lämpövastus
- ⑥ leivonta-astian kahva
- ⑦ vatkain
- ⑧ käyttöakseli
- ⑨ akselin liitos
- ⑩ mittakuppi
- ⑪ kaksoismittalusikka: 1 teelusikallinen ja 1 ruokalusikallinen
- ⑫ virtakytkin
- ⑬ ohjauspaneeli
- ⑭ näyttö
- ⑮ paistoasteen ilmaisin (vaalea, normaali, tumma)
- ⑯ koon ilmaisin
- ⑰ valikkopainike
- ⑱ koon valitsin
- ⑲ ajastinpainikkeet
- ⑳ paistoasteen valitsin
- ㉑ käynnistys- ja sammutuspainike

aineosien mittaaminen (lisätietoja on kuvissa 3–7)

Parhaan lopputuloksen saavuttamiseksi on erittäin tärkeää mitata aineosat tarkasti.

- Mittaa nestemäiset aineosat aina käyttämällä mitta-astiaa, jossa on tilavuusmerkinnät. Nesteen pinnan on oltava tarkalleen mittaviivan tasalla, ei sen ylä- eikä alapuolella. Katso kuvaa 3.
- Käytä aina huoneenlämpöisiä nesteitä (20 °C) paitsi valmistettaessa leipää nopean yhden tunnin ohjelman avulla. Noudata leivontaohjeita.
- Käytä aina laitteen mukana toimitettua mittalusikkaa, kun mittaat pieniä määriä kuivia ja nestemäisiä aineosia. Mitatessasi yhtä tee- tai ruokalusikallista täytä mitta ja tasoita pinta kuvassa 6 esitetyllä tavalla.

virtakytkin

Kenwood-leipäkoneessa on virtakytkin. Laite toimii vasta, kun siihen on kytketty virta.

- Työnnä pistoke pistorasiaan ja paina laitteen takana sijaitsevaa virtakytkintä (2). Näyttöön tulee 3:00.
- Katkaise leipäkoneesta virta ja irrota pistoke pistorasiasta käytön jälkeen.

Leipäkoneen käyttäminen (Lisätietoja on kuvituksessa.)

- 1 Irrota leivonta-astia tarttumalla kahvaan ja kääntämällä alustaa laitteen takaosaa kohden.
- 2 Aseta vatkein paikoilleen.
- 3 Kaada leivonta-astiaan vettä.
- 4 Lisää muut aineosat astiaan leivontaohjeessa mainitussa järjestyksessä.
- 5 Varmista, että kaikki aineosat punnitaan tarkasti.
- 6 Epätarkat mitat heikentävät tulosta.
- 7
- 8 Aseta leivonta-astia paistouuniin siten, että se on suorassa kulmassa laitteen takaosaan nähden. Lukitse astia paikoilleen kääntämällä sitä eteenpäin.
- 9 Laske kahva alas ja sulje kansi.
- 10 Työnnä pistoke sähköpistorasiaan ja kytke laitteeseen virta. Laitteesta kuuluu äänimerkki ja näkyviin tulee oletusasetus 1 (3:00).
- 11 Painele valikkopainiketta (17), kunnes haluamasi ohjelma on valittu. Taikinan koon oletusasetus on 900 g ja paistoasteen normaali.
- 12 Valitse taikinan koko painamalla painiketta (18), kunnes ilmaisin on oikean kokovaihtoehdon kohdalla.
- 13 Valitse paistoaste painamalla painiketta (20), kunnes ilmaisin on oikean paistoasteen kohdalla (vaalea, normaali tai tumma).
- 14 Paina käynnistyspainiketta (21). Voit pysäyttää tai peruuttaa ohjelman pitämällä käynnistys- ja pysäytyspainikkeen painettuna 2–3 sekunnin ajan.
- 15 Kun kaikki on valmista, irrota leipäkoneen pistoke pistorasiasta.
- 16 Nosta leivonta-astian kahva käyttämällä laitteen koukkua.
- 17 Irrota leivonta-astia tarttumalla kahvaan ja kääntämällä alustaa laitteen takaosaa kohden. **Käytä aina patakintaita, sillä astian kahva on kuuma.**
- 18 Nosta leipä ritilälle jäähtymään.
- 19 Anna leivän jäähtyä vähintään 30 minuuttia ennen viipaloimista, jotta höyry pääsee poistumaan. Viipaloiminen on hankalaa leivän ollessa kuuma.
- 20 Puhdista leivonta-astia ja vatkein heti käytön jälkeen. Hoito ja puhdistus -osassa kuvattavalla tavalla.

leivonta- ja taikinaohjelmat						
Ohjelma		Ohjelman kokonaisaika		Ilmoitus aineosien lisäämisestä*		Lämpimänäpito ☆☆
		900g	700g	900g	700g	
1 perusohjelma	Valkoisen tai kokojyväleivän leivontaohjeille	3:00	2:53	2:20	2:15	60
2 vaalea vehnäleipä	Rapeampi pinta, soveltuu vähän rasvaa ja sokeria sisältäville taikinoille	3:50	3:40	2:35	2:30	60
3 kokojyväleipä	Kokojyväleivän leivontaohjeille	3:40	3:32	-	-	60
4 kakku	Hiivaa sisältämättömät taikinat ja kakut	1:40		-		60
5 makea leipä	Paljon sokeria sisältäville leivontaohjeille	2:55	2:50	2:30	2:25	60
6 nopea, 700g	Leipä valmistuu alle tunnissa	0:58		-		60
7 nopea, 900g	Edellyttää lämmintä vettä, paljon hiivaa ja vähemmän suolaa.	0:58		-		60
8 taikina	Käsin viimeisteltäville ja erillisessä uunissa paistettaville taikinoille	1:30		-		-
9 hillo	Hillojen valmistukseen	1:20		-		-
10 gluteeniton	Käytettäessä gluteenittomia jauhoja tai valmiita leivontaseoksia	2:50		-		60
11 sandwich	Pehmeä pinta, tiivis rakenne	3:00	2:55	2:04	1:59	60
12 paistaminen	Pelkkä paistaminen. Voidaan käyttää myös lämmitettäessä uudelleen aiemmin paistettua, jäähtynyttä leipää.	1:00		-		60

☆ **Leipäkone antaa äänimerkin toisen vatkaisuvaiheen päätyttyä aineosien lisäämiseksi, jos leivontaohje edellyttää tätä.**


☆☆ **Leipäkone siirtyy automaattisesti lämpimänäpitystilaa kunkin paistovaiheen päätteeksi. Leipää pidetään lämpimänä enintään tunti tai kunnes laitteesta sammutetaan virta.**

ajastin

Ajastin mahdollistaa leivonnan ajastamisen enintään 13 tunnin päähän. Ajastamista ei suositella valmistettaessa taikinaa, hilloa tai gluteenitonta leipää tai käytettäessä pikatoimintoa.

TÄRKEÄÄ: Käytettäessä ajastinta taikinassa ei saa olla helposti huoneenlämmössä pilaantuvia aineosia, kuten maitoa, kananmunia, juustoa tai jogurtta.

Kun käytät ajastinta, lisää aineosat leivonta-astiaan ja kiinnitä astia leipäkoneeseen. Toimi sitten seuraavasti:

- Valitse haluamasi ohjelma painamalla valikkopainiketta . Ohjelman vaatima aika tulee näkyviin.
- Valitse haluamasi paistoaste ja taikinan koko.
- Aseta ajastin.
- Valitse haluamasi ajastus painamalla ajastinpainiketta (+). Kokonaisaika tulee näkyviin. Jos ohitat haluamasi ajan, voit palata takaisin painamalla ajastinpainiketta (-). Kun painat ajastinpainiketta, aika kasvaa 10 minuutin askelin. Valitun ohjelman aikaa ei tarvitse ottaa huomioon kokonaisaikaa laskettaessa. Leipäkone ottaa sen automaattisesti huomioon.

Esimerkki: Haluat valmista leipää aamulla kello 7.00. Jos lisäät aineosat leipäkoneeseen edellisenä iltana kello 10, ajaksi valitaan ajastimen avulla 9 tuntia.

- Valitse haluamasi ohjelma, esimerkiksi 1, painamalla valikkopainiketta. Lisää aikaa 10 minuutin askelin, kunnes näytössä näkyy 9.00. Jos ohitat haluamasi ajan 9.00, voit palata takaisin aikaan painamalla ajastinpainiketta (-).
- Paina aloituspainiketta. Näytössä vilkkuu kaksoispiste (:). Ajastin alkaa toimia.
- Jos teet virheen tai haluat muuttaa ajastusta, pidä käynnistys-/pysäytyspainiketta painettuna, kunnes kuuluu äänimerkki. Tämän jälkeen voit nollata ajan.



3:00



09:00



09:00

suojaus virrankatkaisulta

Leipäkoneessa on 15 minuutin suojaus virrankatkaisulta siltä varalta, että laitteen pistoke vahingossa irrotetaan pistorasiasta. Ohjelman suorittaminen jatkuu, jos pistoke työnnetään pistorasiaan tämän ajan kuluessa.

hoitaminen ja puhdistaminen

TÄRKEÄÄ: Irrota leipäkoneen sähköpistoke pistorasiasta ja anna laitteen jäähtyä ennen puhdistamista.

- Älä upota leipäkoneen runkoa tai leivonta-astialle varattua tilaa veteen.
- Älä pese leivonta-astia astianpesukoneessa. Muutoin leivonta-astian tarttumaton pinta voi vaurioitua, jolloin leipä tarttuu kiinni paistettaessa sitä.
- Älä käytä hankaavia puhdistusyynyjä tai metallisia puhdistusvälineitä.
- Puhdista leivonta-astia ja vatkein heti käytön jälkeen täyttämällä astia osittain lämpimällä vedellä ja astianpesuaineen seoksella. Anna liota 5–10 minuuttia. Voit irrottaa vatkaimeen kääntämällä sitä myötäpäivään ja nostamalla sen irti. Puhdista lopuksi pehmeällä kankaalla. Huuhtelee ja anna kuivua. Jos vatkaimeen ei voi irrottaa 10 minuutin liottamisen jälkeen, tartu akseliin astian alapuolelta ja kääntelee sitä edestakaisin, kunnes vatkaimeen voi irrottaa.
- Puhdista leipäkoneen ulko- ja sisäpinnat tarvittaessa kostealla sienellä.

huolto ja asiakastuki

- Jos virtajohto vaurioituu, se on turvallisuussyistä vaihdettava. Vaihdytyön saa tehdä KENWOOD tai KENWOODIN valtuuttama huoltoliike.
Jos tarvitset apua
- leipäkoneen käyttämisessä
- laitteen huolto- tai korjaustöissä ota yhteys laitteen ostopaikkaan.

Leivontaohjeet (lisää aineosat leivontaohjeessa mainitussa järjestyksessä)

Tavallinen vehnäleipä

Ohjelma 1

Aineosat	900 g	700 g
Vettä	320 ml	270 ml
Kasviöljyä	1,5 rkl	1 rkl
Vehnäjauhoja	500 g	400 g
Rasvatonta maitojauhetta	5 tl	1 rkl
Suolaa	1,5 tl	1 tl
Sokeria	1 rkl	2 tl
Kuivahiivaa	7 g (2,25 tl)	1,5 tl

tl = 5 ml:n teelusikallinen

rkl = 15 ml:n ruokalusikallinen

Kokojyväleipä

Ohjelma 3

Aineosat	900 g	700 g
Vettä	310 ml	250 ml
Kasviöljyä	1,5 rkl	1 rkl
Kokojyväjauhoja	450 g	370 g
Vehnäjauhoja	50 g	30 g
Rasvatonta maitojauhetta	5 tl	3 tl
Suolaa	1 tl	1 tl
Sokeria	4 tl	3 tl
Kuivahiivaa	1 tl	1 tl
Kurpitsansiemeniä	1 rkl	2 tl
Auringonkukansiemeniä	1 rkl	2 tl
Unikonsiemeniä	2 tl	2 tl
Kevyesti paistettuja seesaminsiemeniä	2 tl	2 tl

1. Lisää siemenet, kun koneesta kuuluu äänimerkki toisen vatkaamisvaiheen päätyttyä

Briossi

Ohjelma 5

Aineosat	900 g	700 g
Maitoa	200 ml	160 ml
Kananmunia	2	1
Sulatettua voita	140 g	80 g
Vehnäjauhoja	500 g	400 g
Suolaa	1,5 tl	1 tl
Sokeria	60 g	40 g
Kuivahiivaa	2 tl	1,5 tl

Nopeasti valmistuva vehnäleipä

Ohjelma 6-7

Aineosat	900 g	700 g
Kädenlämpöistä (32-35 °C) vettä	320 ml	250 ml
Vehnäjauhoja	500 g	400 g
Rasvatonta maitojauhetta	5 tl	4 tl
Suolaa	1 tl	1 tl
Sokeria	4 tl	3 tl
Voita	25 g	15 g
Kuivahiivaa	4 tl	3 tl

Sämpylät

Ohjelma 8

Aineosat	12 sämpylää
Vettä	240 ml
Kananmunia	1
Vehnäjauhoja	450 g
Suolaa	1 tl
Sokeria	2 tl
Voita	25 g
Kuivahiivaa	1,5 tl
Pinnalle:	
Kananmunankeltuainen ja 15 ml (1 rkl) vettä	1
Halutessasi voit koristella pinnan seesamin- ja unikonsiemenillä.	

- 1 Kun taikina on valmis, aseta se kevyesti jauhotetulle leivinpöydälle. Jaa taikina 12 samankokoiseksi palaksi. Muotoile niistä sämpylöitä.
- 2 Anna sämpylöiden kohota ja paista ne tavallisessa uunissa.

ongelmatilanteet

Seuraavissa taulukoissa on kuvattu tavallisimmin esiintyviä ongelmia, kun leipäkonetta käytetään. Pehdy ongelmiin, niiden mahdollisiin syihin ja korjaustoimiin, jotta leipäkoneen käyttäminen sujuu ongelmitta.

ONGELMA	MAHDOLLINEN SYY	RATKAISU
LEIVÄN KOKO JA MUOTO		
1. Leipä ei nouse riittävästi.	<ul style="list-style-type: none"> • Kokojyväleipä nousee vehnäleipää vähemmän, sillä kokojyväjauhoissa on vähemmän gluteenia muodostavaa proteiinia. • Liian vähän nestettä. • Sokeri on jäänyt pois tai sitä on liian vähän. • Vääräntyyppiset jauhot. • Vääräntyyppinen hiiva. • Hiivaa on liian vähän tai se on vanhaa. • Käytössä on nopea toiminto. • Hiiva ja sokeri ovat päässeet kosketukseen toistensa kanssa ennen taikinan vatkaamista. 	<ul style="list-style-type: none"> • Normaali tilanne, ei ratkaisuehdotusta. • Lisää nestettä 15 ml (3 tl). • Lisää aineosat leivontaohjeessa mainitussa järjestyksessä. • Jauhoissa on ehkä liian vähän gluteenia. • Älä käytä yleiskäyttöisiä jauhoja. • Saat parhaat tulokset käyttämällä vain nopeasti toimivaa, helposti sekoitettavaa hiivaa. • Varmista, että mittaat määrän oikein. Tarkista pakkauksen parasta ennen -päivämäärä. • Tämä ohjelma tuottaa lyhyempiä leipiä. Tämä on normaalia. • Varmista, että hiiva ja sokeri pysyvät erillään toisistaan, kun lisäät ne leivonta-astiaan.
2. Leipä jää täysin likilaskuiseksi.	<ul style="list-style-type: none"> • Hiiva on jäänyt pois. • Hiiva on liian vanhaa. • Neste oli liian kuumaa. • Liian paljon suolaa. • Käytettäessä ajastinta hiiva kastui ennen leipomisen aloittamista. 	<ul style="list-style-type: none"> • Lisää aineosat leivontaohjeessa mainitussa järjestyksessä. • Tarkista parasta ennen -päivämäärä. • Käytä oikeanlämpöistä nestettä. • Lisää aineita suositeltu määrä. • Aseta kuivat aineet leivonta-astian kulmiin. Tee niiden keskelle syvennys hiivaa varten, jotta se ei pääse kosketukseen nesteiden kanssa.
3. Leipävän yläosa pullistuu sienen muotoa muistuttavaksi.	<ul style="list-style-type: none"> • Liikaa hiivaa. • Liikaa sokeria. • Liikaa jauhoja. • Liian vähän suolaa. • Lämmin, kostea sää. 	<ul style="list-style-type: none"> • Vähennä hiivaa 0,25 tl. • Vähennä sokeria 1 tl. • Vähennä jauhoja 6–9 tl. • Käytä suolaa leivontaohjeessa suositeltu määrä. • Vähennä nestettä 15 ml (3 tl) ja hiivaa 0,25 tl.
4. Leipävän yläpinta ja sivut painuvat sisään.	<ul style="list-style-type: none"> • Liikaa nestettä. • Liikaa hiivaa. • Kostea ja kuuma sää on ehkä nostattanut taikinaa liian nopeasti. 	<ul style="list-style-type: none"> • Vähennä seuraavalla kerralla nestettä 15 ml (3 tl) tai lisää jauhoja hieman. • Käytä leivontaohjeessa suositeltu määrä aineosia tai valitse ensi kerralla nopeampi ohjelma. • Jäähdytä vesi tai lisää maito jääkaappilämpöisenä.
5. Leipävän yläpinta ei ole tasainen.	<ul style="list-style-type: none"> • Liian vähän nestettä. • Liikaa jauhoja. • Vaikka leivävän yläpinta ei ole täydellisen muotoinen, se ei vaikuta leivävän herkulliseen makuun. 	<ul style="list-style-type: none"> • Lisää nestettä 15 ml (3 tl). • Mittaa jauhot tarkasti. • Varmista, että olosuhteet soveltuvat leipomiseen.

Ongelmanratkaisu (jatkuu)

ONGELMA	MAHDOLLINEN SYY	RATKAISU
LEIVÄN KOKO JA MUOTO		
6. Leipä painuu kasaan.	<ul style="list-style-type: none"> • Laite on vetoisessa paikassa tai sitä on tönäisty taikinan noustessa. • Taikinaa on liikaa. • Liian vähän tai ei ollenkaan suolaa. (Suola auttaa estämään taikinaa nousemasta liikaa.) • Liikaa hiivaa. • Lämmin, kostea sää. 	<ul style="list-style-type: none"> • Aseta leipäkone toiseen paikkaan. • Älä käytä suositeltua enemmän aineosia leivottaessa suurta leipää (enintään 900 g). • Käytä suolaa leivontaohjeessa suositeltu määrä. • Mittaa hiiva tarkasti. • Vähennä nestettä 15 ml (3 tl) ja hiivaa 0,25 tl.
7. Leipän toinen pää on lyhyempi.	<ul style="list-style-type: none"> • Taikina on liian kuivaa, joten se ei voi nousta tasaisesti. 	<ul style="list-style-type: none"> • Lisää nestettä 15 ml (3 tl).
LEIVÄN RAKENNE		
8. Leipä on liian tiivistä.	<ul style="list-style-type: none"> • Liikaa jauhoja. • Liian vähän hiivaa. • Liian vähän sokeria. 	<ul style="list-style-type: none"> • Mittaa aineosat tarkasti. • Mittaa hiivaa suositeltu määrä. • Mittaa aineosat tarkasti.
9. Karkean reikäinen rakenne.	<ul style="list-style-type: none"> • Suola on jäänyt pois. • Liikaa hiivaa. • Liikaa nestettä. 	<ul style="list-style-type: none"> • Lisää aineosat leivontaohjeessa mainitussa järjestyksessä. • Mittaa hiivaa suositeltu määrä. • Vähennä nestettä 15 ml (3 tl).
10. Leipän sisäosa on jäänyt raakaksi.	<ul style="list-style-type: none"> • Liikaa nestettä. • Sähkökatko. • Aineosia on liian paljon. 	<ul style="list-style-type: none"> • Vähennä nestettä 15 ml (3 tl). • Leipäkone ei käynnistynyt uudelleen sähkökatkon jälkeen. Poista keskeneräinen leipä leivonta-astiasta ja aloita alusta. • Käytä aineosia enintään suurin suositeltu määrä.
11. Leipä ei viipaloitu helposti vaan tarttuu veitseen.	<ul style="list-style-type: none"> • Leipä on viipaloitu liian kuumana. • Käytä parempaa veistä. 	<ul style="list-style-type: none"> • Anna leivän jäähtyä vähintään 30 minuuttia ennen viipaloimista, jotta höyry pääsee poistumaan. • Käytä kunnon leipäveistä.
PINNAN VÄRI JA PAKSUUS		
12. Pinta on liian tumma tai paksu.	<ul style="list-style-type: none"> • Käytössä on tumma paistoaste. 	<ul style="list-style-type: none"> • Käytä seuraavalla kerralla normaalia tai vaaleaa paistoastetta.
13. Leipän pinta palaa.	<ul style="list-style-type: none"> • Leipäkoneessa on toimintahäiriö. 	<ul style="list-style-type: none"> • Lisätietoja on Huolto ja asiakastuki -jaksossa.
14. Pinta on liian ohut.	<ul style="list-style-type: none"> • Leipäin paisto-aika on liian lyhyt. • Leivontaohjeessa ei ole maitojauhetta tai maitoa. 	<ul style="list-style-type: none"> • Pidennä paisto-aikaa. • Lisää 15 ml (3 tl) rasvatonta maitojauhetta tai korvaa puolet vedestä maidolla ruskistumisen tehostamiseksi.

ongelmanratkaisu (jatkuu)

ONGELMA	MAHDOLLINEN SYY	RATKAISU
LEIVONTA-ASTIAN ONGELMAT		
15. Vatkainta ei voi poistaa.	<ul style="list-style-type: none"> •Kaada leivonta-astian vettä tai anna vatkaimen liota ennen sen irrottamista. 	<ul style="list-style-type: none"> •Noudata puhdistusohjeita käytön jälkeen. Vatkainta on ehkä liikuteltava hieman liotuksen jälkeen, jotta se irtoaisi.
16. Leipä tarttuu leivonta-astiaan tai sitä ei saa helposti ulos.	<ul style="list-style-type: none"> •Näin voi käydä, kun leipäkone on ollut kauan käytössä. 	<ul style="list-style-type: none"> •Sivele leivonta-astian sisäpintaan hieman kasviöljyä. •Lisätietoja on Huolto ja asiakastuki -jaksossa.
LAITTEEN MEKANIikka		
17. Leipäkone ei toimi tai vatkain ei liiku.	<ul style="list-style-type: none"> •Leipäkoneeseen ei ole kytketty virtaa. •Leivonta-astia ei ole oikein paikoillaan. •Ajastin on käytössä. 	<ul style="list-style-type: none"> •Varmista, että virtakytkin @ on ON-asennossa. •Tarkista, että leivonta-astia on lukittu paikoilleen. •Leipäkone käynnistyy vasta, kun ohjelman alkamisaika on saavutettu.
18. Aineosat eivät sekoitu.	<ul style="list-style-type: none"> •Leipäkonetta ei käynnistetty. •Vatkain unohtui leivonta-astiasta. 	<ul style="list-style-type: none"> •Kun olet tehnyt ohjelmoinnin ohjauspaneelin avulla, voit käynnistää leipäkoneen painamalla käynnistuspainiketta. •Ennen aineosien lisäämistä varmista aina, että vatkain on leivonta-astian pohjalla.
19. Palaneen hajua käytön aikana.	<ul style="list-style-type: none"> •Uunissa on aineosatarhoja. •Leivonta-astia vuotaa. •Taikinaa on liikaa. 	<ul style="list-style-type: none"> •Älä läikytä aineosia lisätessäsi niitä leivonta-astiaan. Kuumennusosaan osuvat roiskeet voivat palaa ja aiheuttaa savua. •Lisätietoja on Huolto ja asiakastuki -jaksossa. •Älä käytä suositeltua enemmän aineosia. Mittaa aineosat aina tarkasti.
20. Pistoke on vahingossa irrotettu pistorasiasta tai virta on katkennut. Kuinka leivän voi pelastaa?	<ul style="list-style-type: none"> •Jos vatkaiminen oli meneillään, heitä taikina pois ja aloita alusta. •Jos meneillään oli taikinan nostatusvaihe, poista taikina leivonta-astiasta, levitä se 23 x 12,5 cm:n kokoiseen vuokaan, peitä vuoka ja anna taikinan kohota kaksinkertaiseksi. Esilämmitä uuni lämpötilaan 200 °C ja paista noin 30–35 minuuttia, kunnes pinta on kullannuskeksi. •Jos meneillään oli paistovaihe, poista yläritilä ja esilämmitä uuni lämpötilaan 200 °C. Nosta leivonta-astia varovasti laitteesta ja aseta uunin alatasolle. Paista leipä kullannuskeaksi. 	
21. Näytössä näkyy H:HH eikä laite käynnisty. 22. Näytössä näkyy E:EE eikä laite toimi.	<ul style="list-style-type: none"> •Uuni on liian kuuma. •Leipäkoneessa on toimintahäiriö. Lämpötilan tunnistimessa on virhe. 	<ul style="list-style-type: none"> •Irrota pistoke pistorasiasta ja anna laitteen jäähtyä 30 minuuttia. •Lisätietoja on Huolto ja asiakastuki -jaksossa.

Free Manuals Download Website

<http://myh66.com>

<http://usermanuals.us>

<http://www.somanuals.com>

<http://www.4manuals.cc>

<http://www.manual-lib.com>

<http://www.404manual.com>

<http://www.luxmanual.com>

<http://aubethermostatmanual.com>

Golf course search by state

<http://golfingnear.com>

Email search by domain

<http://emailbydomain.com>

Auto manuals search

<http://auto.somanuals.com>

TV manuals search

<http://tv.somanuals.com>