

Troubleshooting Guide

What might appear to be a malfunction in your unit may just be the result of slight misoperation or miswiring. Before calling service, first check the following table for possible problems.

PROBLEM	POSSIBLE CAUSE	SOLUTION
No sound. (No sound from one side.)	<ul style="list-style-type: none"> Input (or output) cables are disconnected. Protection circuit may be activated. 	<ul style="list-style-type: none"> Connect the input (or output) cables. Check connections by referring to "Power indicator".
(Blown fuse.)	<ul style="list-style-type: none"> Volume is too high. The speaker cord is shorted. 	<ul style="list-style-type: none"> Replace the fuse and use lower volume. After check the speaker cord and fixing the cause of the short, replace the fuse.
The output level is too small (or too large).	The input sensitivity adjusting control is not set to the correct position.	Adjust the control correctly referring to "Controls".
The sound quality is bad. (The sound is distorted.)	<ul style="list-style-type: none"> The speakers wire are connected with wrong ⊕ / ⊖ polarity. A speaker wire is pinched by a screw in the car body. The switches may be set improperly. 	<ul style="list-style-type: none"> Connect them properly checking the ⊕ / ⊖ of the terminals and wires well. Connect the speaker wire again so that it is not pinched by anything. Set switches properly by referring to "System examples".

Specifications

Specifications subject to change without notice.

Audio Section

Max Power Output	
5 Channel Mode	80 W × 4 (4 Ω) + 240 W × 1 (4 Ω)
4 Channel Mode	80 W × 2 (4 Ω) + 240 W × 1 (4 Ω) + 240 W × 1 (4 Ω)
3 Channel Mode	240 W × 2 (4 Ω) + 320 W × 1 (2 Ω)
Rated Power Output (4 Ω)	
5 Channel Mode	40 W × 4 + 120 W × 1 (20 Hz ~ 20 kHz, less than 0.08 % THD) + (20 Hz ~ 200 Hz, less than 0.08 % THD)
4 Channel Mode	40 W × 4 + 120 W × 1 (DIN45324, +B=14.4 V) (20 Hz ~ 20 kHz, 0.08 % THD) + (1 kHz, 0.8 % THD) + (100 Hz, 0.08 % THD)
3 Channel Mode	120 W × 2 (1 kHz, 0.8 % THD) + 120 W × 1 (100 Hz, 0.08 % THD)
Rated Power Output (2 Ω)	
5 Channel Mode	60 W × 4 (1 kHz, 0.8 % THD) + 150 W × 1 (100 Hz, 0.8 % THD)
Frequency Response (+0, -3 dB)	5 Hz ~ 50 kHz
Signal to Noise Ratio	100 dB
Sensitivity (MAX)	0.2 V (rated output)
(MIN)	5.0 V (rated output)
Input Impedance	10 kΩ
High Pass Filter Frequency (12 dB/oct.) (A,B channel)	80 Hz, 150 Hz
Low Pass Filter Frequency (18 dB/oct.) (SUB channel)	50 ~ 200 Hz (Variable)
Infrasonic Filter Frequency (18 dB/oct.) (SUB channel)	15 Hz

General

Operating Voltage (11 ~ 16 V allowable)	14.4 V
Current Consumption (1 kHz, 10 % THD)	48 A
Dimensions (W × H × D)	290 × 56 × 320 mm (11-7/16 × 2-3/16 × 12-5/8 in.)
Weight	5.2 kg (11.4 lbs)

Safety precautions

▲WARNING

To prevent injury or fire, take the following precautions:

- When extending the ignition, battery, or ground wires, make sure to use automotive-grade wires or other wires with a 5mm² (AWG10) or more to prevent wire deterioration and damage to the wire coating.
- To prevent a short circuit, never put or leave any metallic objects (such as coins or metal tools) inside the unit.
- If the unit starts to emit smoke or strange smells, turn off the power immediately and consult your Kenwood dealer.
- Do not touch the unit during use because the surface of the unit becomes hot and may cause burns if touched.

▲CAUTION

To prevent damage to the machine, take the following precautions:

- Be sure the unit is connected to a 12V DC power supply with a negative ground connection.
- Do not open the top or bottom covers of the unit.
- Do not install the unit in a spot exposed to direct sunlight or excessive heat or humidity. Also avoid places with too much dust or the possibility of water splashing.
- When replacing a fuse, only use a new one with the prescribed rating. Using a fuse with the wrong rating may cause your unit to malfunction.
- To prevent a short circuit when replacing a fuse, first disconnect the wiring harness.

NOTE

- If you experience problems during installation, consult your Kenwood dealer.
- If the unit does not seem to be working right, consult your Kenwood dealer.

FCC WARNING

This equipment may generate or use radio frequency energy. Changes or modifications to this equipment may cause harmful interference unless the modifications are expressly approved in the instruction manual. The user could lose the authority to operate this equipment if an unauthorized change or modification is made.

■ Cleaning the unit

If the front panel gets dirty, turn off the power and wipe the panel with a dry silicon cloth or soft cloth.

▲CAUTION

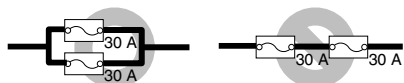
Do not wipe the panel with a hard cloth or a cloth dampened by volatile solvents such as paint thinner and alcohol. They can scratch the surface of the panel and/or cause the indicator letters to peel off.

■ Wiring

- If a buzzing noise is heard from the speakers when the engine is running, connect a line noise filter (optional) to each of the battery wire.
- Do not allow the wire to directly contact the edge of the iron plate by using Grommets.
- Connect the ground wire to a metal part of the car chassis that acts as an electrical ground passing electricity to the battery's negative ⊖ terminal. Do not turn the power on if the ground wire is not connected.
- Be sure to attach a protective fuse into the battery wire close to the battery. Use a protective fuse having a capacity that is about 10 A higher than the maximum current drawn by the amplifier.
- Use vehicle-type (fire-resistant) power supply wiring wire for the battery wire and the ground wire. The current capacity of the power supply wiring wire should be about 10 A higher than that of the protective fuse capacity (which means about 20 A higher than the maximum current drawn by the amplifier).
- When more than one power amplifier are going to be used, use a power supply wiring wire and protective fuse of greater current-handling capacity than the total maximum current drawn by each amplifier.

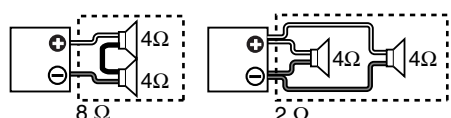
Example: One Power Amplifier Is Used

Maximum Current Drawn	48 A
Protective Fuse	60 A × 1 [30 A × 2]
Cross-sectional Area of Wiring Wire (AWG)	5 mm ² (AWG 10) or greater × 1



■ Speaker Selection

- The rated input power of the speakers that are going to be connected should be greater than the maximum output power (in Watts) of the amplifier. Use of speakers having input power ratings that are less than the output power of the amplifier will cause smoke to be emitted as well as damage.
- The impedance of the speakers that are going to be connected should be 2Ω or greater (for stereo connections), or 4Ω or greater (for bridged connections). When more than one set of speakers are going to be used, calculate the combined impedance of the speakers and then connect suitable speakers to the amplifier.



KENWOOD

KAC-959

5-CHANNEL POWER AMPLIFIER

INSTRUCTION MANUAL

KENWOOD CORPORATION



Take the time to read through this instruction manual. Familiarity with installation and operation procedures will help you obtain the best performance from your new power amplifier.

For your records

Record the serial number, found on the back of the unit, in the spaces designated on the warranty card, and in the space provided below. Refer to the model and serial numbers whenever you call upon your KENWOOD dealer for information or service on the product.

Model KAC-959 Serial number _____

© PRINTED IN USA B64-1980-00 (KM/EM)

Installation procedure

- Remove the ignition key and disconnect the negative ⊖ terminal of the battery to prevent short circuits.
- Set the unit according to the intended usage.
- Connect the input and output cables of the units.
- Connect the speaker wires.
- Connect the power wire, power control wire and grounding wire following this order.
- Install the unit in the car.
- Connect the negative ⊖ terminal of the battery.

▲WARNING

To prevent fire caused by a short in the wiring, connect a fusible link or breaker nearby the battery's positive terminal.

▲CAUTION

- Be sure to turn the power off before changing the setting of any switch.
- If the fuse blows, check wires for shorts, then replace the fuse with one of the same rating.
- Check that no unconnected cables or connectors are touching the car body. Do not remove caps from unconnected cables or connectors to prevent short circuits.
- Connect the speaker wires to appropriate speaker connectors separately. Sharing the negative wire of the speaker or grounding speaker wires to the metal body of the car can cause this unit to fail.
- After installation, check that the brake lamps, wipers, and wipers work properly.

■ Speaker level input terminals (7)

When the genuine-accessory car stereo power is turned ON/OFF, check that the power to this unit has followed suit.

In some cases, the power control is not correctly operated by the genuine-accessory car stereo. If this is the case, connect the ACC or power control signal to the P.CON terminal.

▲CAUTION

- The genuine-accessory car stereo shall have a maximum power output of no more than 40 W.
- Do not connect the speaker output leads from a power amplifier (Optional) to the speaker level input terminals of this unit, for this may cause malfunction or damage.
- Do not connect cables and leads to both RCA cable input jacks and the speaker level input terminals simultaneously, for this may cause malfunction or damage.
- Connect the power control lead to a power supply which can be turned ON/OFF by the ignition key switch (ACC line). With this connection, shock noise may be generated when the power of the genuine-accessory car stereo is switched ON/OFF.

■ Power terminal (2③④)

Connect to their respective terminals the power supply wire, and ground wire, all of which pass through the associated terminal cover. Once the connections are complete, place the cover on the terminal section.

■ Accessories

Part name	External View	Number of Items
Terminal cover (Power terminal)		1
Self-tapping screws (ø4 × 16 mm)		4

Installation

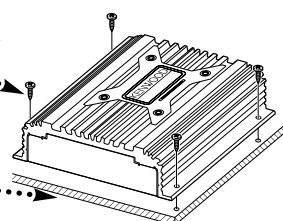
Since the power amplifier has no parts which require operation, it can be installed at a position away from the driver's seat without any hindrances. As generally accepted positions for its installation, places such as inside the trunk, etc. can be considered.

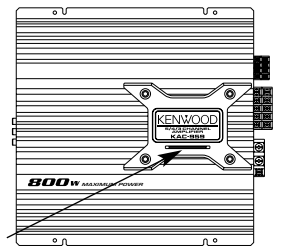
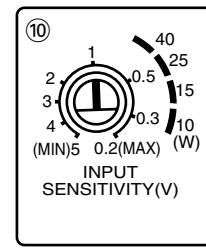
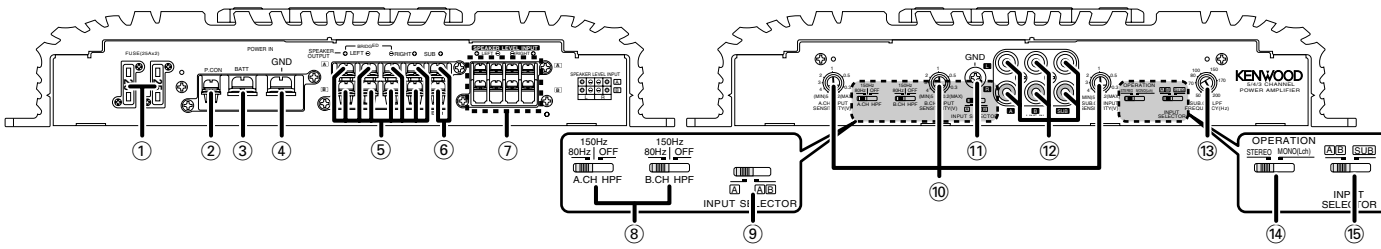
▲CAUTION

- Do not install the unit under the carpet. Otherwise heat build-up occurs and the unit may be damaged.
- Install this unit in a location which allows heat to easily dissipate. Once installed, do not place any object on top of the unit.
- The surface temperature of the amplifier will become hot during use. Install the amplifier in a place where people, resins, and other substances that are sensitive to heat will not come into contact with it.
- When making a hole under a seat, inside the trunk, or somewhere else in the vehicle, check that there is nothing hazardous on the opposite side such as a gasoline tank, brake pipe, or wiring harness, and be careful not to cause scratches or other damage.
- Do not install near the dashboard, rear tray, or air bag safety parts.
- The installation to the vehicle should securely fasten the unit to a place in which it will not obstruct driving. If the unit comes off due to a shock and hits a person or safety part, it may cause injury or an accident.
- After installing the unit, check to make sure that electrical equipment such as the brake lamps, turn signal lamps and windshield wipers operate normally.

Self-tapping screw (ø4 × 16 mm)

Installation board, etc. (thickness : 15 mm or more)





The unit is a 5-channel amplifier incorporating 2 stereo amplifiers and 1 monaural amplifier in a single body. The stereo amplifier on one side is called amplifier A, while the one on the other side is amplifier B. The monaural amplifier is called the amplifier SUB. This unit is compatible with a large variety of systems by combining the switches and functions described in the following.

- ① **Fuse (25 A × 2)**
- ② **Power control terminal**
- ③ **Battery terminal**
- ④ **Ground terminal**
- ⑤ **Amplifier A/B speaker output terminals**
 - **Stereo Connections:**
When you wish to use the unit as a stereo amplifier, stereo connections are used.
 - **Bridged Connections:**
When you wish to use the unit as a high-output monaural amplifier, bridged connections are used. (Make connections to the LEFT channel (+) and the RIGHT channel (-) SPEAKER OUTPUT terminals.)
- ⑥ **Amplifier SUB speaker output terminal**
As this unit accepts speakers with a minimum impedance of 2 ohms, connect speakers with 2-ohm or higher impedance to these terminals.
- ⑦ **Speaker level input terminals**
A center unit with no RCA output can still be

connected to the speaker output. Again, even without a power control signal, the power is switched ON/OFF automatically by the speaker signal.

- ⑧ **HPF(High-Pass Filter) switch**
When this switch is set to 80 Hz or 150 Hz, frequencies below the setting value will be cut.
- ⑨ **INPUT SELECTOR (A/AB) switch**
This switch toggles the input signal of amplifier B.
 - **A position:**
The input for terminal A is output from amplifiers A and B.
 - **AB position:**
The input for terminal A is output from amplifier A, while the input for terminal B is output from amplifier B.
- ⑩ **INPUT SENSITIVITY control**
Set this control according to the pre-output level of the center unit connected with this unit, or to the maximum power output of the genuine-accessory car stereo. Use the diagram on the right as a guide. The sensitivities of amplifiers A, B and SUB can be adjusted independently regardless of the position of the input selector switch.

NOTE
For the pre-output level or the maximum power output, refer to the "Specifications" in the instruction manual of the center unit.
- ⑪ **RCA cable ground lead terminal**

When using an RCA cable with a ground lead attached, connect the ground lead to this terminal.

- CAUTION**
Do not use this terminal for power source grounding. This unit will be damaged if the power source grounding wire is connected to this terminal.
- ⑫ **Amplifier A/B/SUB LINE IN terminal**
 - ⑬ **SUB.CH LPF(Low-Pass Filter) FREQUENCY control**
This control adjusts the frequency band output from this SUB channel.
 - ⑭ **OPERATION switch**
This switch is used to select the operation mode of the amplifier.
 - **STEREO position:**
The amplifier can be used as a stereo amplifier.
 - **MONO (Lch) position:**
Amplifies the signal input from the left side only. Set to this position and make bridged connections to use as a high-power monaural amplifier. (The input right signal is not output.)
 - ⑮ **INPUT SELECTOR (AB/SUB) switch**
This switch toggles the input signal of amplifier SUB.
 - **AB position:**
The input for terminals A and B input is mixed and output from amplifier SUB.

NOTE
The input signal varies according to the setting

of the INPUT SELECTOR (A/AB) switch and the OPERATION switch.

- **SUB position:**
The input for the SUB terminal is output by amplifier SUB.

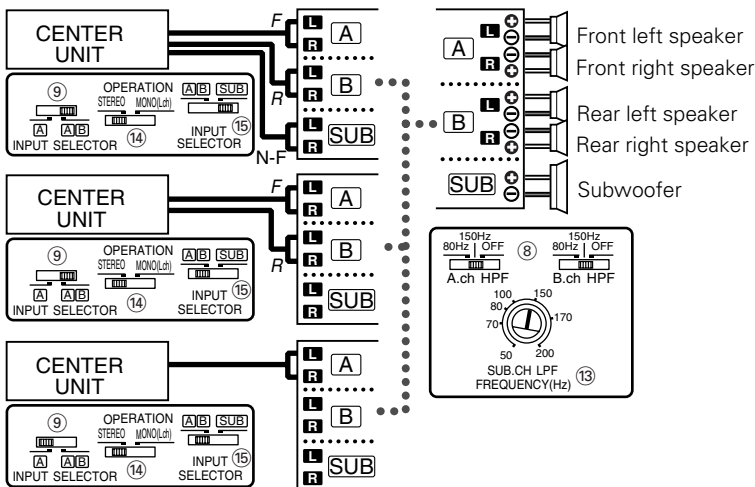
Power indicator

When the power is turned on, the Power indicator lights. If the Power indicator does not light when the power is turned on, the protection function may be activated. Check whether there is any indication of trouble.

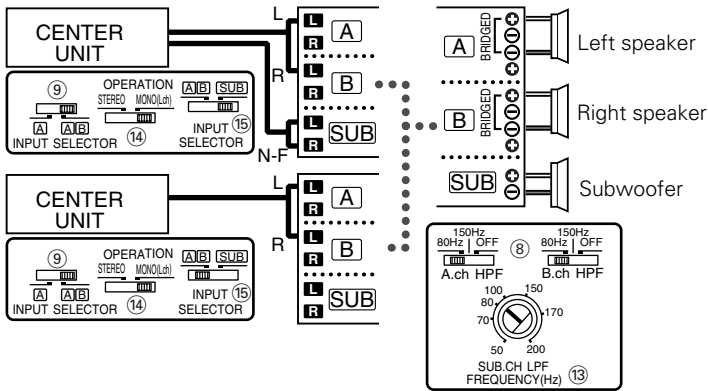
- **The protection function is activated in the following situations:**
This unit is equipped with a protection function for protecting this unit and your speakers from various accidents or problems that can occur. When the protection function is triggered, the Power indicator goes off and the amplifier stops operating.
 - When a speaker wire may be short-circuited.
 - When a speaker output contacts ground.
 - When the unit malfunctions and a DC signal is sent to the speaker output.
 - When the internal temperature is high and unit won't operate.
 - When a ground wire of the center unit (cassette receiver, CD receiver, etc.) or this unit is not connected to a metal part serving as an electrical ground passing electricity to the battery's negative ⊖ terminal.

System examples

5-channel system



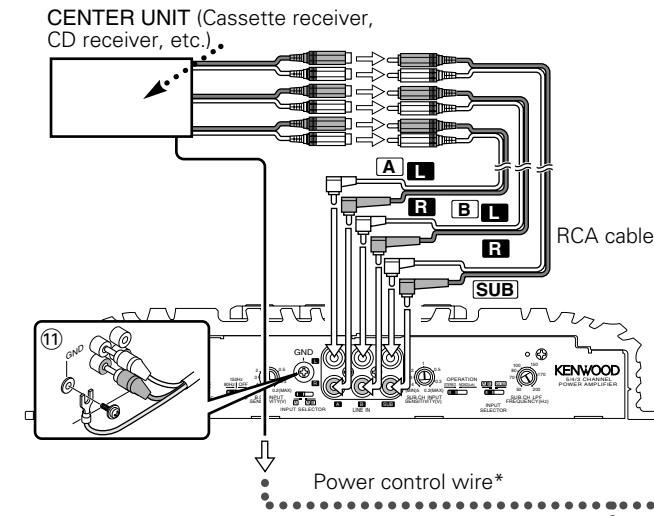
3-channel system



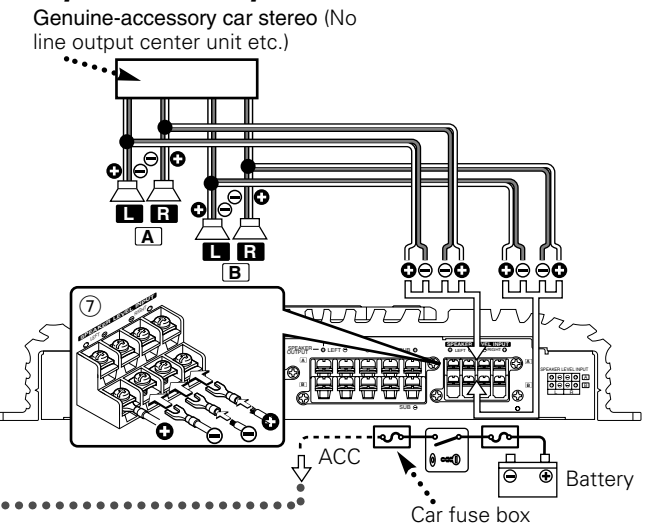
Connection

NOTE For safe installation, read "Installation procedure" before starting work.

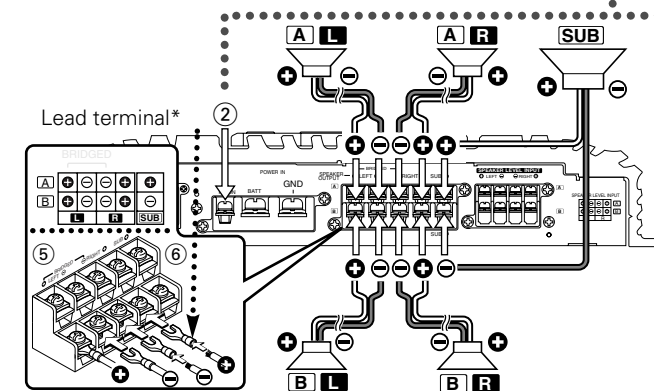
RCA cable connection



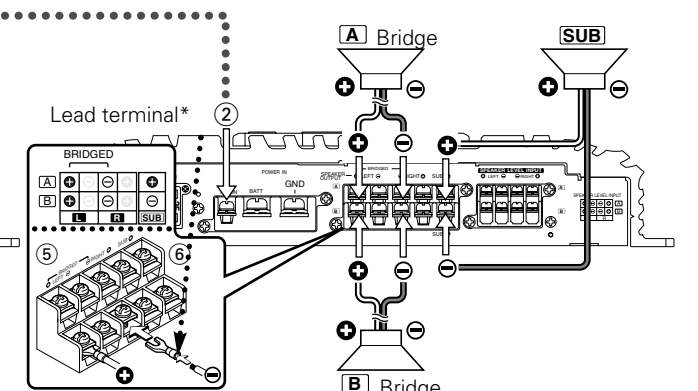
Speaker level input connection



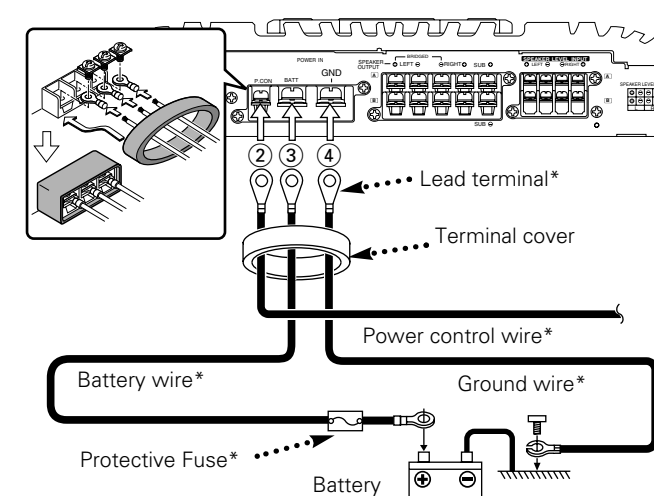
Speaker stereo connection



Speaker bridge connection



Power wire connection



Description of markings in the figure.

A / L	Left
A L	Front left
A R	Front right
B / R	Right
B L	Rear left
B R	Rear right
SUB	Subwoofer
F	Front
R	Rear
N-F	Non-fader
*	Commercially available parts

Free Manuals Download Website

<http://myh66.com>

<http://usermanuals.us>

<http://www.somanuals.com>

<http://www.4manuals.cc>

<http://www.manual-lib.com>

<http://www.404manual.com>

<http://www.luxmanual.com>

<http://aubethermostatmanual.com>

Golf course search by state

<http://golfingnear.com>

Email search by domain

<http://emailbydomain.com>

Auto manuals search

<http://auto.somanuals.com>

TV manuals search

<http://tv.somanuals.com>