

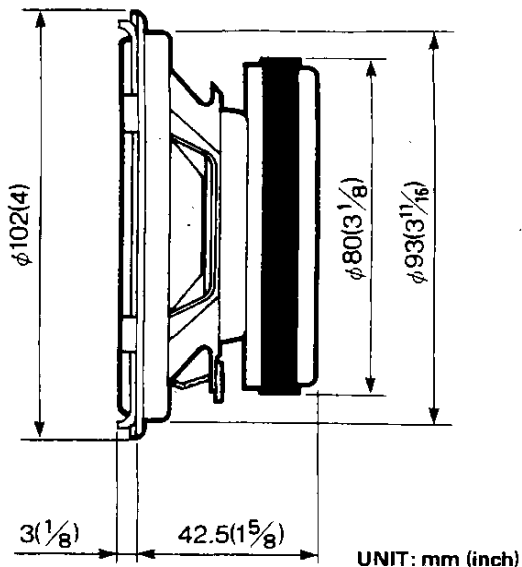
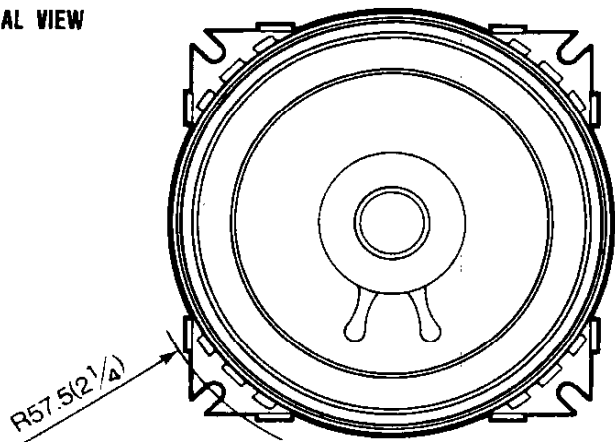
KFC-106E

SERVICE MANUAL

KENWOOD




©1988-12 PRINTED IN JAPAN
B51-3772-00(B)1107

EXTERNAL VIEW



O.C.
COPY

PARTS INCLUDED

-  3m(10ft)..... X2
-  φ4-20(3/16-13/16)..... X8
-  X8

SPECIFICATIONS

- Speaker.....10cm(4in) Water proof treatment
cone type
- Peak power.....45 Watts
- Frequency Response.....60Hz ~ 20,000Hz
- Sensitivity.....90dB/W at 1m
- Impedance.....4 ohms
- Weight per speaker with grille.....0.51kg(1lb 2oz)/pc

We follow a policy of advancements in development.
For this reason specifications may be changed without notice.

PARTS LIST

★ New parts
Parts without **Parts No.** are not supplied.
Les articles non mentionnés dans le **Parts No.** ne sont pas fournis.
Teile ohne **Parts No.** werden nicht geliefert.

Ref No.	New Parts	Parts No.	Description
		B46-0100-10	WARRANTY CARD
	★	E30-1238-08	CORD SET
	★	N99-1088-08	SCREW SET
	★	T07-0145-08	SPEAKER

Free Manuals Download Website

<http://myh66.com>

<http://usermanuals.us>

<http://www.somanuals.com>

<http://www.4manuals.cc>

<http://www.manual-lib.com>

<http://www.404manual.com>

<http://www.luxmanual.com>

<http://aubethermostatmanual.com>

Golf course search by state

<http://golfingnear.com>

Email search by domain

<http://emailbydomain.com>

Auto manuals search

<http://auto.somanuals.com>

TV manuals search

<http://tv.somanuals.com>