

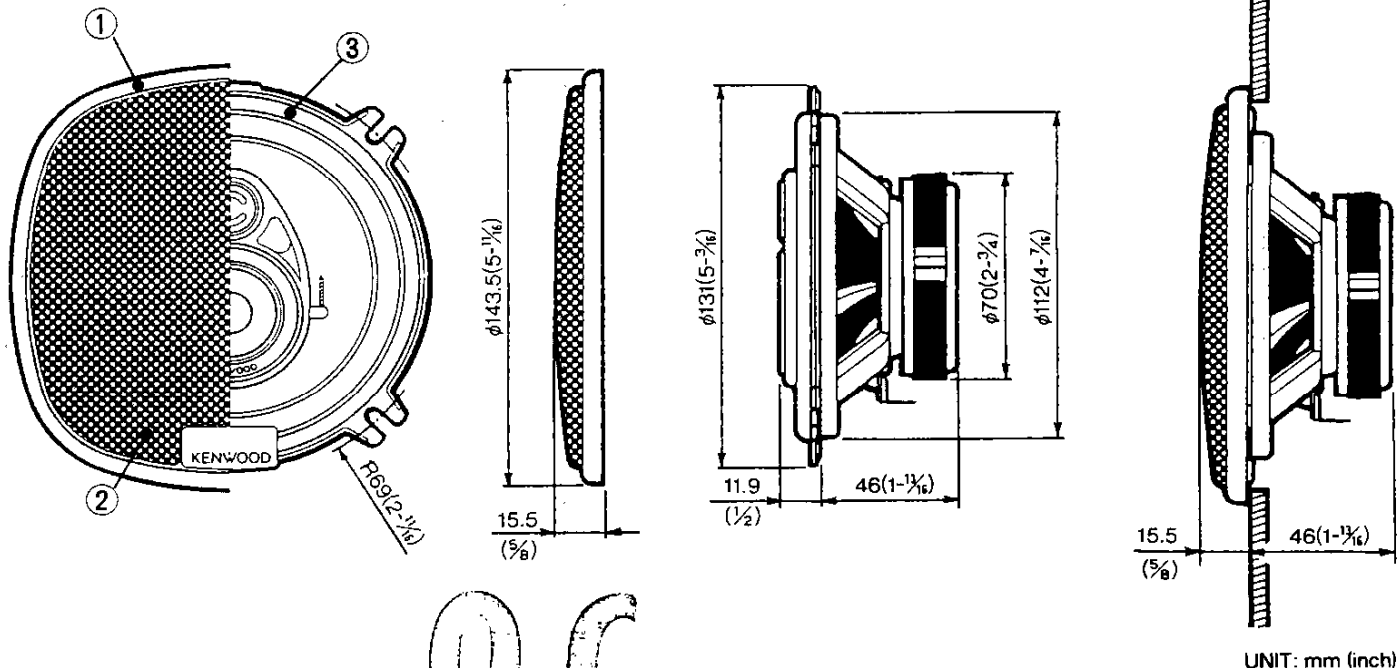
KFC-1383

SERVICE MANUAL

KENWOOD

©1990-10 PRINTED IN JAPAN
B51-6243-00(B)1430

EXTERNAL VIEW



UNIT: mm (inch)

Q.C.
COPY

SPECIFICATIOS

Speakers

Woofer	13cm(5-1/4in)	Water proof treatment
		Cone type 152g(5.4oz) Magnet
Mid-Range	4cm(1-9/16in)	Cone type
Tweeter	1.1cm(7/16in)	Ceramic
Peak power	60Watts	
Frequency Response	50Hz~21,000Hz	
Sensitivity	90dB/W at 1m	
Impedance	4 Ohms	
Weight per speaker with grille	0.56Kg(1lb 4oz)/pc	

We follow a policy of advancements in development.
For this reason specifications may be changed without notice.

PARTS LIST

*New parts

Parts without Parts No. are not supplied.

Les articles non mentionnés dans le Parts No. ne sont pas fournis.

Teile ohne Parts No. werden nicht geliefert.

Ref No.	New Parts	Parts No.	Description
①	*	B06-0443-08	GRILLE
		B46-0100-20	WARRANTY CARD
		E30-5058-08	CORD SET
②	*	F09-0991-08	PROTECTOR
		N99-1088-08	SCREW SET
③	*	T15-0171-08	SPEAKER

Free Manuals Download Website

<http://myh66.com>

<http://usermanuals.us>

<http://www.somanuals.com>

<http://www.4manuals.cc>

<http://www.manual-lib.com>

<http://www.404manual.com>

<http://www.luxmanual.com>

<http://aubethermostatmanual.com>

Golf course search by state

<http://golfingnear.com>

Email search by domain

<http://emailbydomain.com>

Auto manuals search

<http://auto.somanuals.com>

TV manuals search

<http://tv.somanuals.com>