

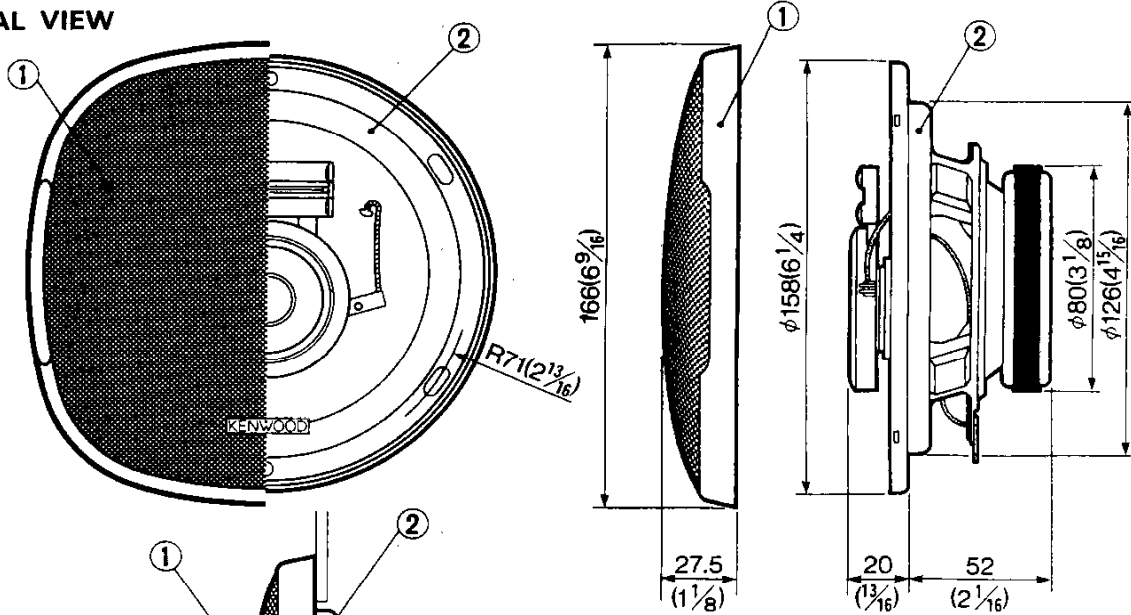
KFC-1682

SERVICE MANUAL

KENWOOD

©1989-1 PRINTED IN JAPAN
B51-3783-00(B)1314

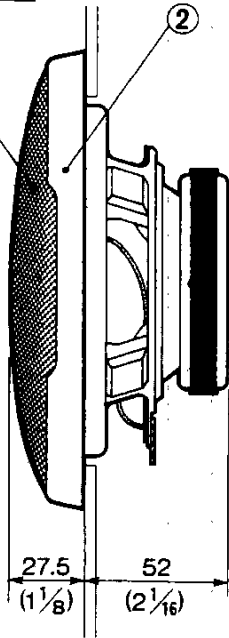
EXTERNAL VIEW



UNIT: mm (inch)



UNIT: mm (inch)






SPECIFICATIONS

- Speakers**
- Woofer ————— 16cm(6in) Water proof P-P cone type
190g(6.7oz) Magnet
 - Mid-Range ————— 5cm(1 15/16in) cone type
 - Tweeter ————— Ceramic
 - Peak power ————— 110 Watts
 - Frequency Response — 45Hz - 21,000Hz
 - Sensitivity ————— 90dB/W at 1m
 - Impedance ————— 4 ohms
 - Weight per speaker with grille — 0.83g(1 lb 13oz)/pc

We follow a policy of advancements in development.
For this reason specifications may be changed without notice

PARTS INCLUDED

-  4.5m(15ft)..... × 2
-  φ4-30(3/16-1-3/16)..... × 6
-  × 6

PARTS LIST

★ New parts
Parts without **Parts No.** are not supplied.
Les articles non mentionnés dans le **Parts No.** ne sont pas fournis.
Teile ohne **Parts No.** werden nicht geliefert.

Ref No.	New Parts	Parts No.	Description
①	★	B06-0316-08	FRONT GRILLE
		B46-0100-10	WARRANTY CARD
	★	E30-1181-08	CORD SET
②	★	N99-1086-08	SCREW SET
	★	T15-0123-08	SPEAKER

Free Manuals Download Website

<http://myh66.com>

<http://usermanuals.us>

<http://www.somanuals.com>

<http://www.4manuals.cc>

<http://www.manual-lib.com>

<http://www.404manual.com>

<http://www.luxmanual.com>

<http://aubethermostatmanual.com>

Golf course search by state

<http://golfingnear.com>

Email search by domain

<http://emailbydomain.com>

Auto manuals search

<http://auto.somanuals.com>

TV manuals search

<http://tv.somanuals.com>