

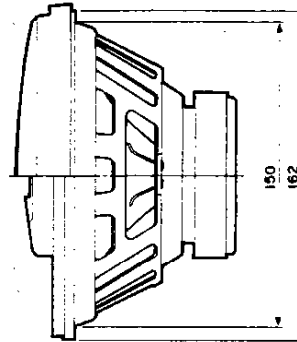
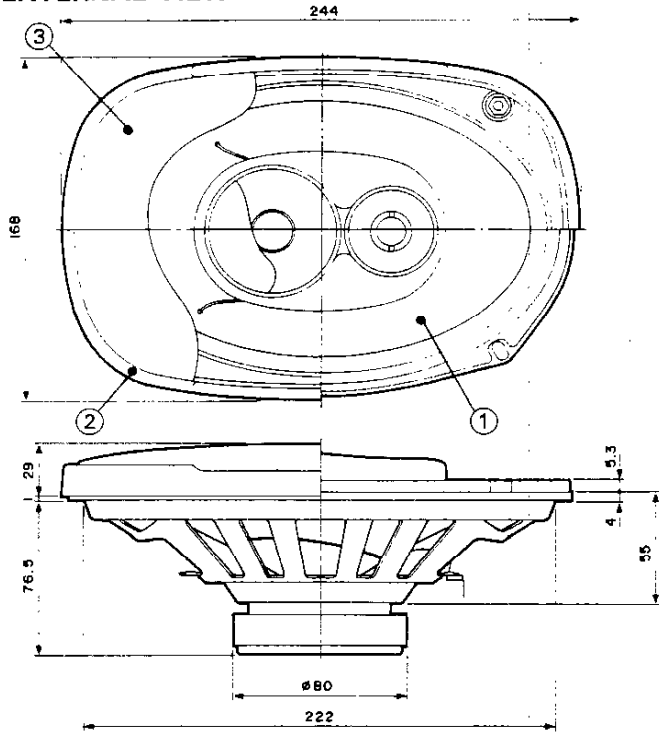
KFC-6972

SERVICE MANUAL

KENWOOD

©1989-10 PRINTED IN JAPAN
B51-6093-00(T) 533

EXTERNAL VIEW

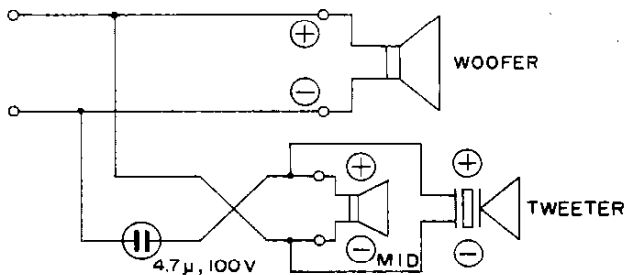


UNIT: mm

PARTS INCLUDED

- (M4-70mm) x8
- (φ4-40) x8
- M4 x8
- x8
- M4 x8
- φ4 x8
- M4 x8
- 5m(16.4ft) x2
- x1

SCHEMATIC DIAGRAM



SPECIFICATIONS

- Woofer 6 x 9 in cone type,
10 oz magnet
- Mid-Range 2-1/2 in cone type,
2.2 oz magnet
- Tweeter Piezo type
- Peak power 100 W
- Sensitivity 91 dB/w at 1 m
- Impedance 4 ohms
- Weight per speaker with grille 1.32 kg (2.9 lb)/pc.

PARTS LIST

★ New parts
Parts without Parts No. are not supplied.
Les articles non mentionnés dans le Parts No. ne sont pas fournis.
Teile ohne Parts No. werden nicht geliefert.

Ref No.	New Parts	Parts No.	Description
②	★	B06-0376-08	FRONT GRILLE
		E30-1457-08	SPEAKER CORD
③	★	F09-0937-08	PROTECTOR
		N99-0218-08	SCREW SET
①	★	T15-0146-08	SPEAKER



(KENWOOD follows a policy of continuous advancements in development.
For this reason specifications may be changed without notice.)

Free Manuals Download Website

<http://myh66.com>

<http://usermanuals.us>

<http://www.somanuals.com>

<http://www.4manuals.cc>

<http://www.manual-lib.com>

<http://www.404manual.com>

<http://www.luxmanual.com>

<http://aubethermostatmanual.com>

Golf course search by state

<http://golfingnear.com>

Email search by domain

<http://emailbydomain.com>

Auto manuals search

<http://auto.somanuals.com>

TV manuals search

<http://tv.somanuals.com>