

KFC-6982

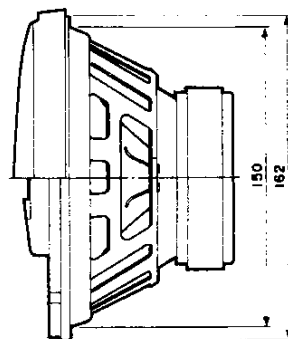
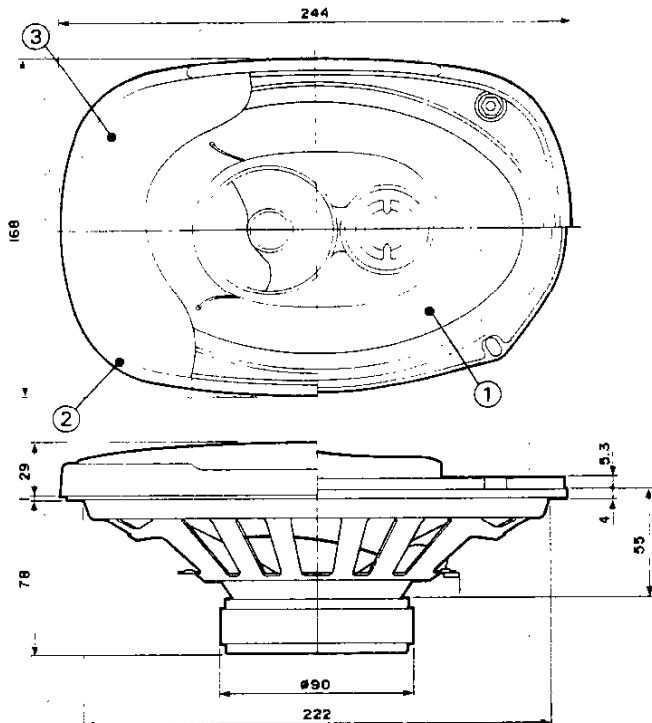
SERVICE MANUAL

KENWOOD

COPY

©1989-10 PRINTED IN JAPAN
B51-6094-00(T) 1198

EXTERNAL VIEW

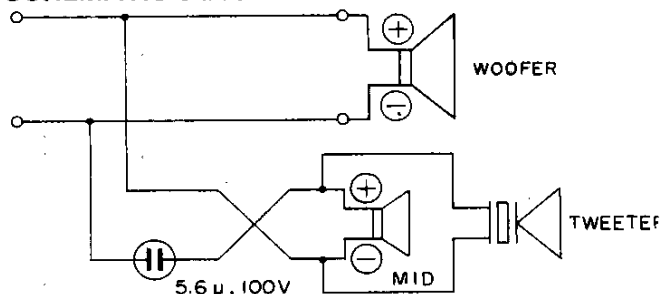


UNIT: mm

PARTS INCLUDED

- (M4-70mm) x8
- (φ4-40) x8
- M4 x8
- M4 x8
- M4 x8
- φ4 x8
- M4 x8
- 5m(16.4ft) x2
- x1

SCHEMATIC DIAGRAM



SPECIFICATIONS

- Woofer 6 x 9 in cone type,
12 oz magnet
- Mid-Range 2-1/2 in cone type,
2.2 oz magnet
- Tweeter 1 3/16 in cone type
- Peak power 150 W
- Sensitivity 91 dB/w at 1 m
- Impedance 4 ohms
- Weight per speaker with grille 1.52 kg (3.4 lb)/pc.

PARTS LIST

★ New parts
Parts without **Parts No.** are not supplied.
Les articles non mentionnés dans le **Parts No.** ne sont pas fournis.
Teile ohne **Parts No.** werden nicht geliefert.

Ref No.	New Parts	Parts No.	Description
②	★	B06-0376-08	FRONT GRILLE
		E30-1457-08	SPEAKER CORD
③	★	F09-0937-08	PROTECTOR
		N99-0218-08	SCREW SET
①	★	T15-0145-08	SPEAKER

(KENWOOD follows a policy of continuous advancements in development.
For this reason specifications may be changed without notice.)

Free Manuals Download Website

<http://myh66.com>

<http://usermanuals.us>

<http://www.somanuals.com>

<http://www.4manuals.cc>

<http://www.manual-lib.com>

<http://www.404manual.com>

<http://www.luxmanual.com>

<http://aubethermostatmanual.com>

Golf course search by state

<http://golfingnear.com>

Email search by domain

<http://emailbydomain.com>

Auto manuals search

<http://auto.somanuals.com>

TV manuals search

<http://tv.somanuals.com>