

KFC-6983

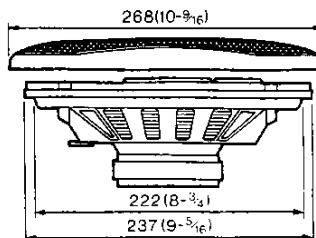
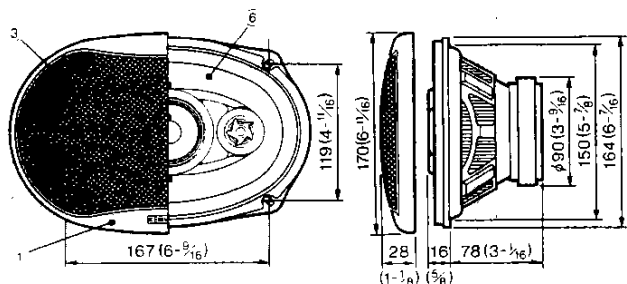
SERVICE MANUAL

KENWOOD

Q.C.

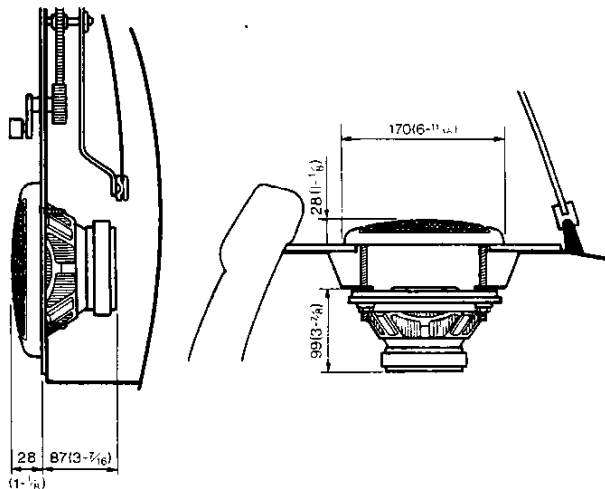
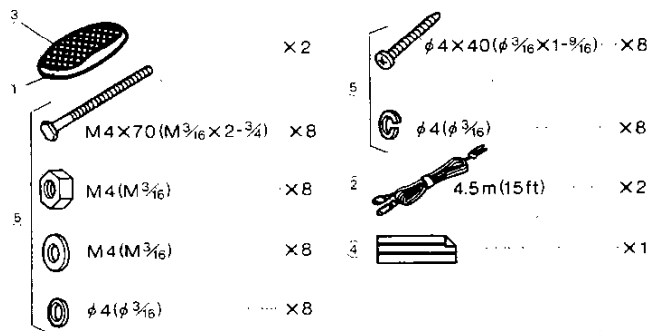
©1991-11 PRINTED IN JAPAN
B51-6395-00 (MC) 1517

EXTERNAL VIEW



unit: mm (inch)

PARTS INCLUDED



SPECIFICATIONS

Speakers

- Woofer ————— 153 x 229mm (6 x 9in) Resin-Coated Cone Type. 340g (12oz) Magnet
- Mid-Range ————— phi 70mm (2-3/4in) Water Resistant Cone Type.
- Tweeter ————— phi 25mm (1in) Dome Type
- Peak Power ————— 150Watts
- Frequency Response ————— 30 ~ 2,600Hz
- Sensitivity ————— 92dB/W at 1m
- Impedance ————— 4Ohms
- Weight Per Speaker with Grille — 3,120g (6.9lb)/Pair

We follow a policy of advancements in development.
For this reason specifications may be changed without notice.

PARTS LIST

* New parts
Parts without Parts No. are not supplied.
Les articles non mentionnés dans le Parts No. ne sont pas fournis.
Teile ohne Parts No. werden nicht geliefert.

Ref. No.	New Parts	Parts No.	Description
①	*	B 06-0699-08	GILLE ASSY
②	*	E 30-5117-08	CORD SET
③	*	F 09-1038-08	PFOTECTOR
④	*	J 69-0103-08	VISCOUS TAPE
⑤	*	N 99-1220-08	SCREW SET
⑥	*	T 15-0207-08	SPEAKER

Free Manuals Download Website

<http://myh66.com>

<http://usermanuals.us>

<http://www.somanuals.com>

<http://www.4manuals.cc>

<http://www.manual-lib.com>

<http://www.404manual.com>

<http://www.luxmanual.com>

<http://aubethermostatmanual.com>

Golf course search by state

<http://golfingnear.com>

Email search by domain

<http://emailbydomain.com>

Auto manuals search

<http://auto.somanuals.com>

TV manuals search

<http://tv.somanuals.com>