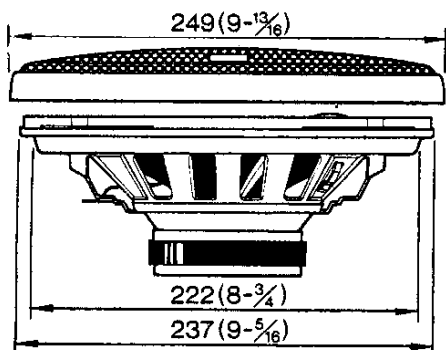
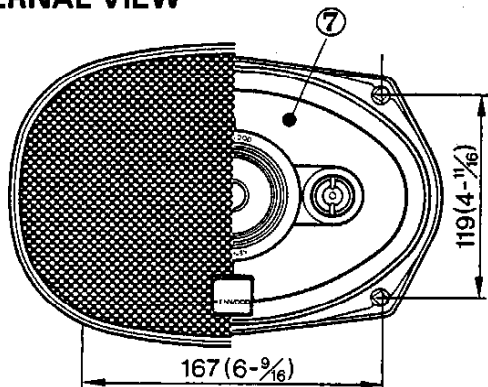


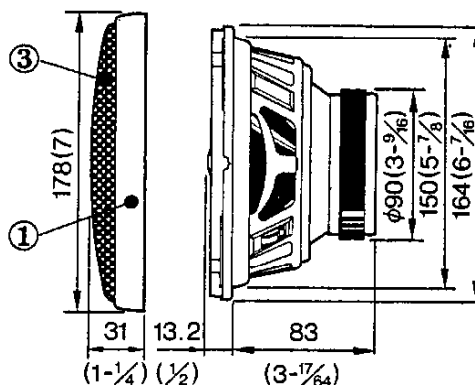
KFC-6984

SERVICE MANUAL

EXTERNAL VIEW



UNIT : mm (inch)



PARTS INCLUDED

- ③ X 2
- ① X 2
- ⑥ M4 X 70 X 8
- ⑥ M4 X 8
- ⑥ M4 X 8
- ⑥ M4 X 8
- ⑥ M4 X 8
- ⑥ M4 X 8
- ⑥ φ4 X 40 X 8
- ⑥ φ4 X 8
- ② 4.5m (15ft) X 2
- ⑤ X 1

SPECIFICATIONS

- Speakers
- Woofers 153 x 229mm (6 x 9 in) P.P. Cone Type
- Midrange 340g (12 oz) Magnet
- φ70mm (2-3/4 in) Water Resistant Cone Type
- Tweeter φ25mm (1 in) Dome Type
- Super Tweeter φ20mm (13/16 in) Dome Type
- Peak Power 150Watts
- Frequency Response 28Hz~27,000Hz
- Sensitivity 93dB/W at 1m
- Impedance 4 Ohms
- Net Weight With Grille 3,300g (7.3 lb)/Pair

Note: **KENWOOD** follows a policy of continuous advancements in development. For this reason specifications may be changed without notice.

PARTS LIST

* New parts

Parts without **Parts No.** are not supplied.

Ref No.	New parts	Parts No.	Description
①	*	B06-0905-08	GRILL
②		E30-5117-08	CORD SET
③	*	F09-1105-08	PROTECTOR
④		J69-0103-08	VISCOUS TAPE
⑤		N99-1220-08	SCREW SET
⑦	*	T15-0278-08	SPEAKER

Free Manuals Download Website

<http://myh66.com>

<http://usermanuals.us>

<http://www.somanuals.com>

<http://www.4manuals.cc>

<http://www.manual-lib.com>

<http://www.404manual.com>

<http://www.luxmanual.com>

<http://aubethermostatmanual.com>

Golf course search by state

<http://golfingnear.com>

Email search by domain

<http://emailbydomain.com>

Auto manuals search

<http://auto.somanuals.com>

TV manuals search

<http://tv.somanuals.com>