

WOOFER

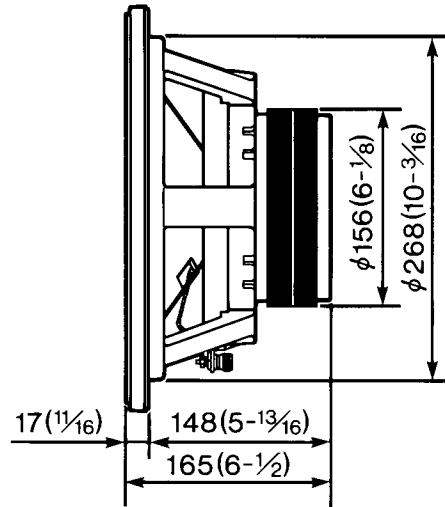
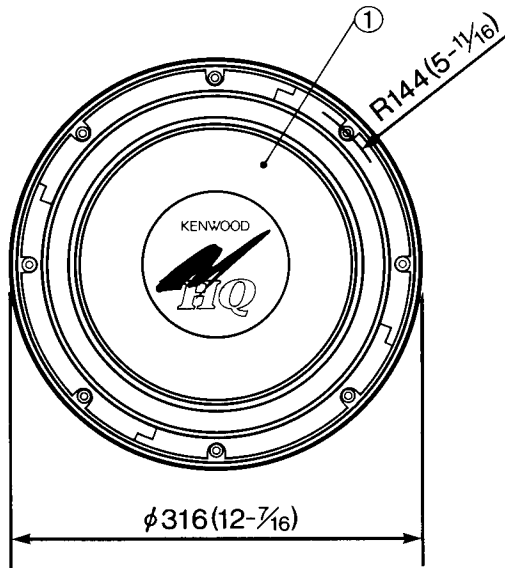
KFC-HQW308

SERVICE MANUAL

KENWOOD


© 1994-7 PRINTED IN JAPAN
B51-6728-00(N) 1276

EXTERNAL VIEW



UNIT : mm (inch)

PARTS INCLUDED

- ②  $\phi 5 \times 40 (3/16 \times 1-9/16) \dots \dots \times 8$

SPECIFICATIONS

Speaker _____ 300 mm (12 in) Non-Press
Pulp Cone Type
2.6 kg (91.8 oz) Magnet
RMS _____ 300 Watts
Sensitivity _____ 91 dB/W at 1m
Frequency Response _____ 18 Hz ~ 2,000 Hz
Impedance _____ 8 Ohms
Net Weight _____ 8.8 kg (19.4 lb)/Pc.

PARTS LIST

* New parts
Parts without **Parts No.** are not supplied.
Les articles non mentionnés dans le **Parts No.** ne sont pas fournis.
Teile ohne **Parts No.** werden nicht geliefert.

Ref No.	New parts	Parts No.	Description
①	*	T10-0661-08	SPEAKER
②		N99-1254-08	SCREW SET

Free Manuals Download Website

<http://myh66.com>

<http://usermanuals.us>

<http://www.somanuals.com>

<http://www.4manuals.cc>

<http://www.manual-lib.com>

<http://www.404manual.com>

<http://www.luxmanual.com>

<http://aubethermostatmanual.com>

Golf course search by state

<http://golfingnear.com>

Email search by domain

<http://emailbydomain.com>

Auto manuals search

<http://auto.somanuals.com>

TV manuals search

<http://tv.somanuals.com>