

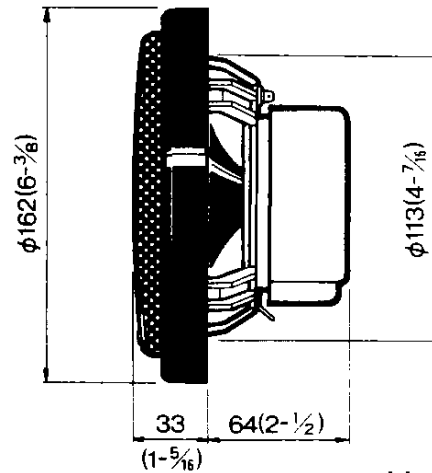
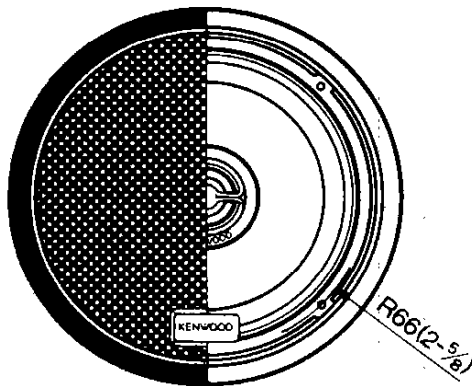
KFC-RF130

SERVICE MANUAL

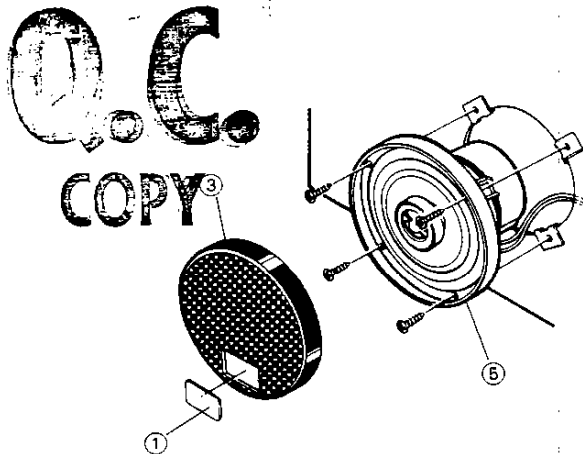
KENWOOD

©1991-1 PRINTED IN JAPAN
B51-6279-00(T) 1434

EXTERNAL VIEW



Unit : mm(inch)



PARTS INCLUDED

- ② 4.5m(15ft) × 2
- ④ $\phi 4 \times 30 (\phi \frac{3}{16} \times 1 \frac{3}{16})$ × 8
- ④ × 8
- ① × 2

SPECIFICATIONS

SPECIFICATIONS

Speakers

- Woofer.....13cm (5- $\frac{1}{4}$ in) Cone Type
240g(8.2oz) Magnet
- Tweeter.....3.5 cm (1- $\frac{3}{8}$ in) Balanced Dome Type
- Peak Power.....90 Watts
- Frequency Response.....50Hz~22,000Hz
- Sensitivity.....89dB/W at 1m
- Impedance.....4 Ohms
- Weight Per Speaker.....2.2kg (4.9lb)/Pair

(KENWOOD follows a policy of continuous advancements in development.
For this reason specifications may be changed without notice.)

PARTS LIST

× New Parts

Parts without Parts No. are not supplied.

Les articles non mentionnés dans le Parts No. ne sont pas fournis.

Telle ohne Parts No. werden nicht geliefert.

| Ref No. | New Parts | Parts No. | Description |
|---------|-----------|-------------|-------------|
| ① | ★ | B43-0869-04 | BADGE SET |
| ② | | E30-5057-05 | CORD SET |
| ③ | ★ | F09-0986-03 | PROTECTOR |
| ④ | ★ | N99-1174-04 | SCREW SET |
| ⑤ | ★ | T15-0166-03 | SPEAKER |

Free Manuals Download Website

<http://myh66.com>

<http://usermanuals.us>

<http://www.somanuals.com>

<http://www.4manuals.cc>

<http://www.manual-lib.com>

<http://www.404manual.com>

<http://www.luxmanual.com>

<http://aubethermostatmanual.com>

Golf course search by state

<http://golfingnear.com>

Email search by domain

<http://emailbydomain.com>

Auto manuals search

<http://auto.somanuals.com>

TV manuals search

<http://tv.somanuals.com>