

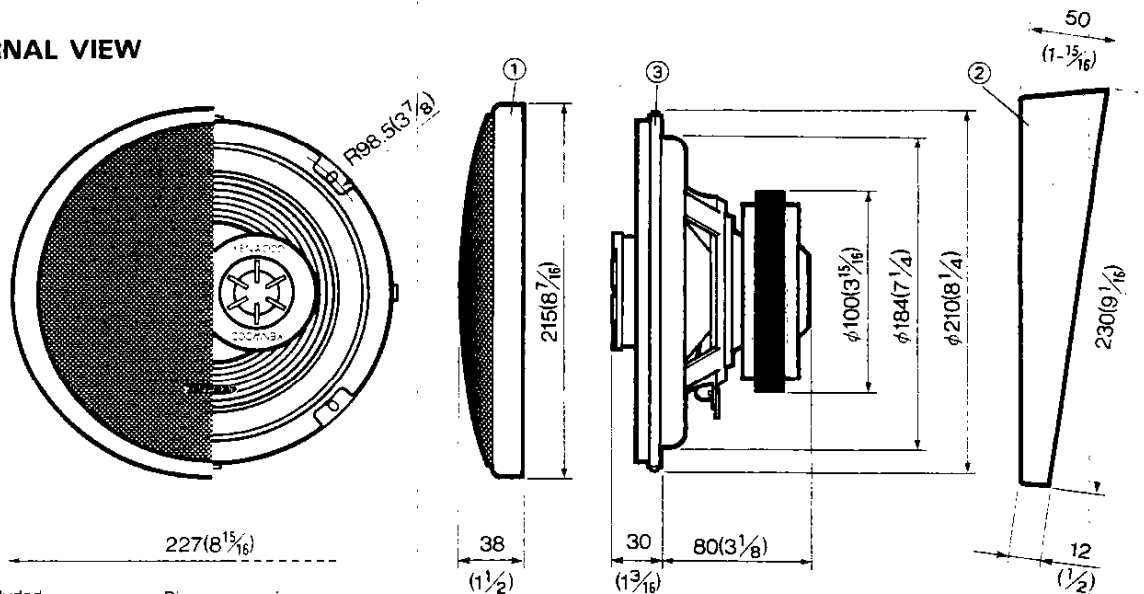
KFC-S200

SERVICE MANUAL

KENWOOD

©1989-3 PRINTED IN JAPAN
B51-6010-00(T)1169

EXTERNAL VIEW



Parts included
Mitgeliefertes zubehor

Pieces comprises
Parti incluse

UNIT: mm (inch)

- Ⓐ 4-40(3/16-1/8) x 8
- Ⓑ 4-10(3/16-3/8) x 8
- Ⓒ 4(3/16) x 8
- Ⓓ M4-70(3/16-2 3/4) x 8
- Ⓔ M4(3/16) x 16
- Ⓕ M4(3/16) x 8
- Ⓖ M4(3/16) x 16
- ④ 4.5m(15ft) x 2
- ② x 2

PARTS LIST

× New Parts

Parts without Parts No. are not supplied.

Les articles non mentionnes dans le Parts No. ne sont pas fournis.

Telle ohne Parts No. werden nicht geliefert.

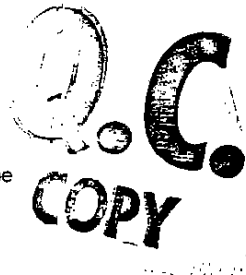
Ref No.	New Parts	Parts No.	Description
④	★	B46-0100-10	WARRANTY CARD
①	★	E30-1181-08	CORD SET
②	★	F09-0905-08	PROTECTOR
	★	J39-0227-08	ADAPTER
	★	N99-1097-08	SCREW SET
③	★	T15-0129-08	SPEAKER

SPECIFICATIONS

Speakers

- Woofer 20cm(8in) cone type
369g(13oz) Magnet
- Mid-Range 2.5cm(1in) Dome type
- Tweeter 1.6cm(5/8in) Dome type
- Peak power 150 Watts
- Frequency Response 45Hz ~ 22,000Hz
- Sensitivity 90dB/W at 1m
- Impedance 4 ohms
- Weight per speaker with grille 2.0kg(4.4lb)/pc

(KENWOOD follows a policy of continuous advancements in development.
For this reason specifications may be changed without notice.)



KENWOOD CORPORATION

Shinjyugi Shibuya Building 17-5 2-chome Shibuya Shibuya-ku Tokyo 150 Japan

KENWOOD U.S.A. CORPORATION
2201 East Dominguez Street Long Beach, CA 90810
550 Clark Drive Mount Olive, NJ 07828 U.S.A.

KENWOOD ELECTRONICS CANADA INC
P.O. Box 1075 959 Gans Court, Mississauga, Ontario Canada L4T 4C2

KENWOOD ELECTRONICS BENELUX N.V.
Mechelsesteenweg 418 B-1930 Zaventem Belgium

KENWOOD ELECTRONICS DEUTSCHLAND GMBH
Remarucker-Str. 15 6056 Heusenstamm West Germany

TRIO-KENWOOD FRANCE S.A.
Hi-Fi-VIDEO-CAR Hi-Fi

13 Boulevard Ney 75018 Paris France

TRIO-KENWOOD U.K. LTD
17 Bristol Road The Metropolitan Centre Greenford Middx UB6 8UP England

KENWOOD ELECTRONICS AUSTRALIA PTY LTD

4E Woodcock Place Lane Cove N.S.W. 2066 Australia

KENWOOD & LEE ELECTRONICS, LTD

Wang Kee Building 4th Floor 34-37 Connaught Road Central Hong Kong

Free Manuals Download Website

<http://myh66.com>

<http://usermanuals.us>

<http://www.somanuals.com>

<http://www.4manuals.cc>

<http://www.manual-lib.com>

<http://www.404manual.com>

<http://www.luxmanual.com>

<http://aubethermostatmanual.com>

Golf course search by state

<http://golfingnear.com>

Email search by domain

<http://emailbydomain.com>

Auto manuals search

<http://auto.somanuals.com>

TV manuals search

<http://tv.somanuals.com>