

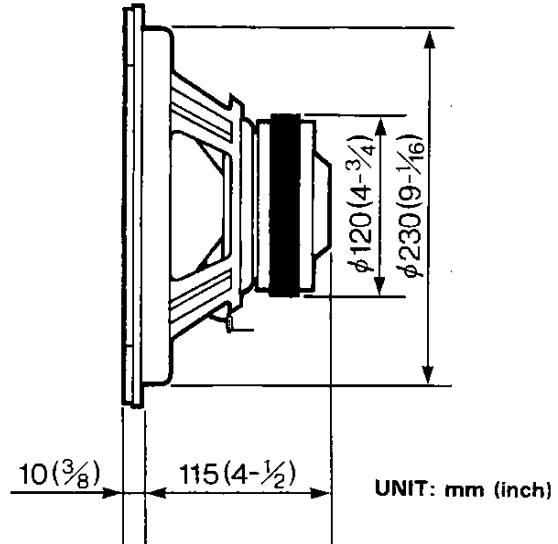
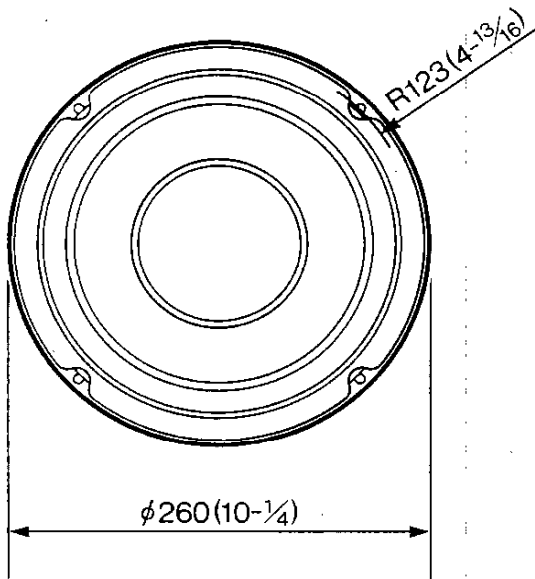
KFC-W210

SERVICE MANUAL

KENWOOD

©1990-8 PRINTED IN JAPAN
B51-6130-10(T) 1057

EXTERNAL VIEW



UNIT: mm (inch)

SPECIFICATIONS

Speaker	25cm (10 in) Cone Type
	721g (25.4 oz) Magnet
Peak Power	300 Watts
Sensitivity	92 dB/W at 1m
Frequency Response	30Hz~3,000Hz
Resonant Frequency (Fo)	45 Hz
Impedance	4 Ohms
Weight Per Speaker	2.8 kg (6.17 lb)/Pc.

(KENWOOD follows a policy of continuous advancements in development.
For this reason specifications may be changed without notice.)

PARTS LIST

★ New parts

Parts without **Parts No.** are not supplied.

Les articles non mentionnés dans le **Parts No.** ne sont pas fournis.

Teile ohne **Parts No.** werden nicht geliefert.

Ref No.	New Parts	Parts No.	Description
	★	N99-1143-08	SCREW SET
	★	T10-0464-08	SPEAKER

Free Manuals Download Website

<http://myh66.com>

<http://usermanuals.us>

<http://www.somanuals.com>

<http://www.4manuals.cc>

<http://www.manual-lib.com>

<http://www.404manual.com>

<http://www.luxmanual.com>

<http://aubethermostatmanual.com>

Golf course search by state

<http://golfingnear.com>

Email search by domain

<http://emailbydomain.com>

Auto manuals search

<http://auto.somanuals.com>

TV manuals search

<http://tv.somanuals.com>