

# KENWOOD

**KRC-152LA**  
**KRC-152LG**

CASSETTE RECEIVER  
**INSTRUCTION MANUAL**

KENWOOD CORPORATION

## Contents

<i>Before use</i>	
Safety precautions .....	3
<i>Buttons and Display</i>	
Basic operations.....	4
Tuner features.....	5
Cassette player features .....	5
Other features.....	6
<i>Basic operations</i>	
Power.....	6
Switching Modes .....	6
Volume.....	6
Attenuator .....	7
Loudness .....	7
<i>Tuner features</i>	
Tuning.....	7
Monaural Reception.....	8
Station Preset Memory.....	8
Auto Memory Entry.....	8
<i>Cassette player features</i>	
Playing Cassette Tapes.....	9
Fast Forwarding and Rewinding Cassette Tapes.....	9
Tuner Call Function .....	9
<i>Other features</i>	
Audio Control Setting.....	10
Clock Display.....	10
Adjusting Time .....	10
Theft Deterrent Faceplate.....	11
<i>Installation</i>	
Accessories.....	11
Installation Procedure.....	12
Connecting Cables to Terminals .....	14
Installation.....	14
<i>Troubleshooting guide</i> .....	16
<i>Specifications</i> .....	17

## Safety precautions

### ⚠WARNING

**To prevent injury and/or fire, take the following precautions:**

- Insert the unit all the way until it is fully locked in place. Otherwise it may fly out of place during collisions and other jolts.
- When extending the ignition, battery or ground cables, make sure to use automotive-grade cables or other cables with an area of 0.75mm<sup>2</sup> (AWG18) or more to prevent cable deterioration and damage to the cable coating.
- To prevent short circuits, never put or leave any metallic objects (e.g., coins or metal tools) inside the unit.
- If the unit starts to emit smoke or strange smells, turn off the power immediately and consult your Kenwood dealer.
- Be careful not to drop the unit or subject it to strong shock.  
The unit may break or crack because it contains glass parts.
- Do not touch the liquid crystal fluid if the LCD is damaged or broken due to shock. The liquid crystal fluid may be dangerous to your health or even fatal.  
If the liquid crystal fluid from the LCD contacts your body or clothing, wash it off with soap immediately.

### ⚠CAUTION

**To prevent damage to the machine, take the following precautions:**

- Make sure to ground the unit to a negative 12V DC power supply.
- Do not open the top or bottom covers of the unit.
- Do not install the unit in a spot exposed to direct sunlight or excessive heat or humidity. Also avoid places with too much dust or the possibility of water splashing.
- Do not set the removed faceplate or the faceplate case in areas exposed to direct sunlight, excessive heat or humidity. Also avoid places with too much dust or the possibility of water splashing.
- Do not subject the faceplate to excessive shock, as it is a piece of precision equipment.
- To prevent deterioration, do not touch the terminals of the unit or faceplate with your fingers.
- When replacing a fuse, only use a new one with the prescribed rating. Using a fuse with the wrong rating may cause your unit to malfunction.
- To prevent short circuits when replacing a fuse, first disconnect the wiring harness.
- During installation, do not use any screws except for the ones provided. The use of improper screws might result in damage to the main unit.

### NOTE

- If you experience problems during installation, consult your Kenwood dealer.
- If the unit does not seem to be working right, try pressing the reset button first. If that does not solve the problem, consult your Kenwood dealer.



Reset button

### **Cleaning the Unit**

If the front panel gets dirty, turn off the power and wipe the panel with a dry silicon cloth or soft cloth.

### ⚠CAUTION

Do not wipe the panel with a stiff cloth or a cloth dampened by volatile solvents such as paint thinner and alcohol. They can scratch the surface of the panel and/or cause the indicator letters to peel off.

### **Cleaning the Faceplate Terminals**

If the terminals on the unit or faceplate get dirty, wipe them with a dry, soft cloth.

## Safety precautions

### Cleaning the Tape Head

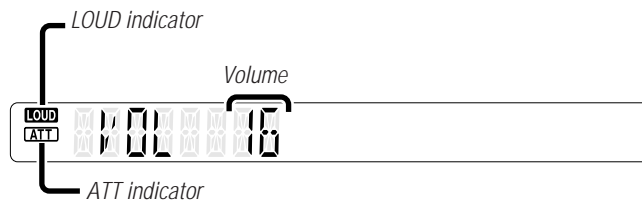
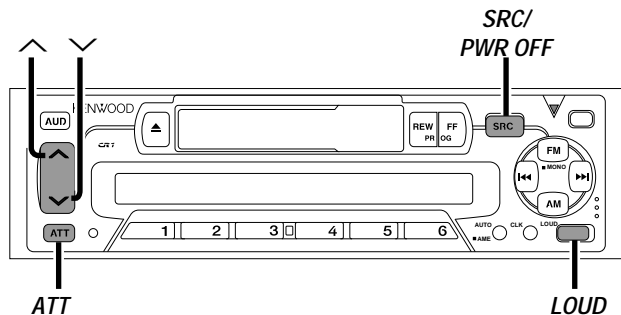
After you have used the tape player many times over a long period, magnetic powder from the tapes and dust accumulates on the tape head, causing noise and a deterioration in sound quality. Clean the tape head using a cleaning tape or cleaning kit designed for use in car audio systems.

### Handling Cassette Tapes

- Do not play a cassette whose tape has gone slack. In such a case, wind it tight using a pencil or the like in one of the spools. Playing slack cassette tapes can result in the tape tangling around the capstan and/or pinch rollers, causing trouble.
- Do not play a deformed cassette or one whose label is starting to come off, as it can cause the unit to malfunction.
- Do not leave tapes in hot places, such as above the fascia panel (dashboard) and other spots exposed to direct sunlight, or near heater outlets. They can deform the cassette.
- Avoid using extremely long cassette tapes, such as 100-minute-long tapes. Such tapes are very thin, and can tangle easily around the pinch rollers or other parts inside the unit, causing unit failure.
- Remove a cassette tape from the unit when not listening to it for a whilst. If you leave a tape in the unit too long, it may stick to the tape head and cause unit malfunction.

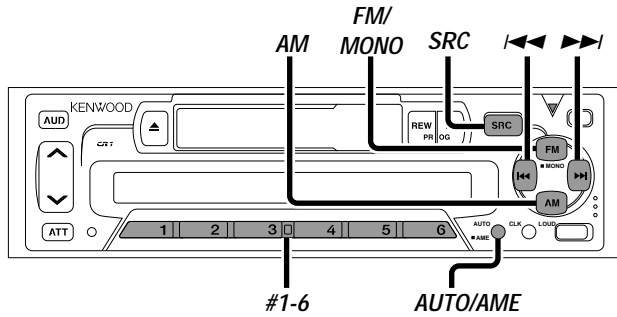
## Buttons and Display

### Basic operations

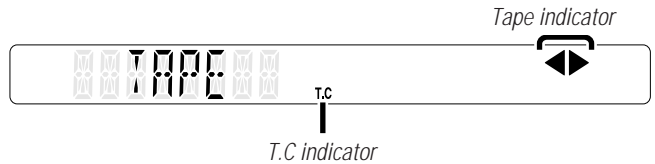
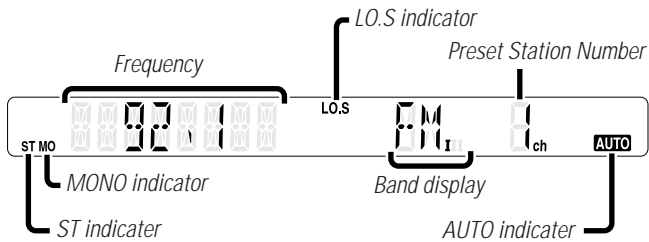
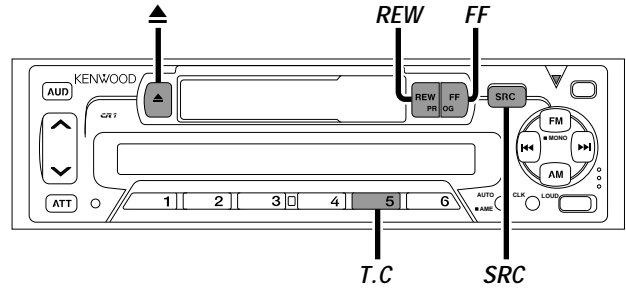


# Buttons and Display

## Tuner features

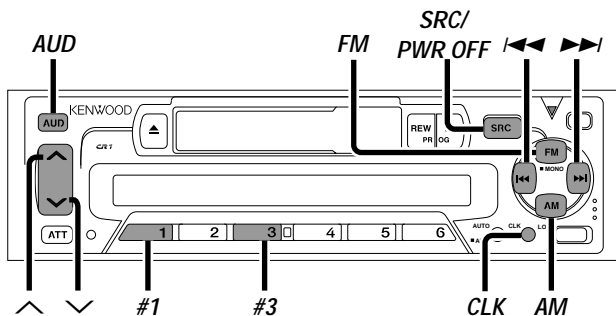


## Cassette player features



## Buttons and Display

### Other features



Clock display

## Basic operations (See page 4)

### Power

#### Turning on the power:

Press the SRC button.

#### NOTE

Turn the power on before carrying out the following procedures.

#### Turning off the power:

Hold down the PWR OFF button for one second or more.

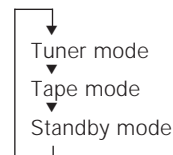
#### Selecting the standby mode:

Press the SRC button repeatedly to select to "OFF". When "OFF" is displayed, the standby mode is turned on. The standby mode turns all functions off although leaving the unit's power on. Use this mode when you want to have the display illuminated but do not want to listen to anything.

### Switching Modes

#### Switching Modes:

Each time you press the SRC button, the mode switches as follows:



#### NOTE

The mode switches to the next mode from any mode which cannot be used.

### Volume

#### Increasing Volume:

Press the ^ button to turn up the volume.

#### Decreasing Volume:

Press the v button to turn down the volume.

## Basic operations (See page 4)

### Attenuator

This function allows you to turn down the volume quickly.

#### Turning Attenuator On/Off:

Press the ATT button to switch the attenuator on and off.

When the attenuator is on, the ATT indicator blinks.

When the attenuator is off, the volume returns to the original level.

#### NOTE

Turning down the volume all the way turns off the attenuator function.

### Loudness

This function amplifies low and high tones when the volume is turned down.

The LOUD indicator lights up, when the loudness function is on.

#### Turning Loudness On/Off:

Press the LOUD button to switch the loudness on and off.

## Tuner features (See page 5)

### Tuning

You can choose from three tuning modes: auto seek, local seek, and manual.

When the AUTO indicator is off, manual tuning has been selected, and when it is ON, auto seek tuning has been selected.

Local seek refers to auto seek tuning that skips radio frequencies with poor reception. When local seek is on, the LO.S indicator turns on.

- 1 Press the SRC button repeatedly until tuner mode is obtained. "TUnE" is displayed when the tuner mode is selected.
- 2 Press either the FM or AM button to select the band. Each time you press the FM button, the band switches between the FM1, FM2 and FM3. Press the AM button to select the MW and LW bands.
- 3 Each time you press the AUTO button, the mode switches as follows:

	AUTO indicator	LO.S indicator
Auto seek	○	×
Local seek	○	○
Manual	×	×

- 4 • Auto Seek Tuning  
Press the ►► button to seek increasing frequencies.  
Press the ◀◀ button to seek decreasing frequencies.  
• Manual Tuning  
Press the ►► button to increase the frequency by one step.  
Press the ◀◀ button to decrease the frequency by one step.

#### NOTE

The ST indicator lights up when stereo broadcasts are being received.

## Tuner features *(See page 5)*

### Monaural Reception

Turn monaural reception on and off.

#### *Turning Monaural Reception On/Off:*

Hold down the MONO button one second or more to turn monaural reception on and off.  
The MONO indicator lights up when monaural reception is on.

### Station Preset Memory

**Store the frequency of the station currently being listened to. You can then recall that station with a single touch of a button.**

- 1 Select the band/ station that you want to have stored.
- 2 Hold down the button (#1-6) that you want to use for the station, for two seconds or more.  
The button number blinks once in the display to indicate that the data has been stored.

#### **Recalling a Preset Station:**

Press the preset station button (#1-6) for the desired station.  
The number of the recalled station is displayed.

#### NOTE

You can store 6 stations in each of the FM1, FM2, FM3, and AM (MW and LW) bands.

### Auto Memory Entry

**You can automatically store all the receivable frequencies in the band currently being listened to, and then recall them with the touch of a button later. This function is especially useful when you are travelling and do not know what stations are available. Up to 6 frequencies can be stored this way.**

- 1 Select the band for auto memory entry.
- 2 Hold down the AME button for two seconds or more to start auto memory entry.  
The numbers of the preset station buttons are shown in order. When all the stations in a certain band are stored in the preset memory, the auto memory entry stops. The tuner then plays the last station received.

#### **Recalling a Preset Station:**

Press the preset station button (#1-6) for the desired station.  
The number of the recalled station is displayed.

#### NOTE

When the local seek function is turned whilst auto memory entry takes place, the auto memory entry function is cancelled.



## **Cassette player features** (See page 5)

### **Playing Cassette Tapes**

#### **Loading and Playing Cassettes:**

Load a cassette with the tape exposed on the right.  
The tape starts playing automatically.  
With Side A facing up, the ► indicator lights up when Side A is playing, and ◀ when Side B is playing.  
The ◀ ► indicator lights up whilst play is paused.

#### **Playing Cassettes Already Loaded:**

Press the SRC button repeatedly until the tape mode is obtained. "TAPE" is displayed when the tape mode has been selected.

#### **Listening to the other side:**

Press the FF button and REW button at the same time.  
Tape play switches to the other side.

#### **Stopping and Ejecting Cassettes:**

Press the ▲ button.  
The tape stops playing and the cassette ejects.

#### **NOTE**

Remove a cassette from the unit when not listening to it for a whilst. If you leave it in the unit too long, the tape may stick to the tape head and cause the unit to malfunction.

### **Tuner Call Function**

**Switch automatically to the tuner whilst you are rewinding or fast forwarding the tape.**

#### **Turning Tuner Call Function On/Off:**

Press the T.C button to switch the tuner call function on and off.  
The T.C indicator lights up when the tuner call function is turned on.

### **Fast Forwarding and Rewinding Cassette Tapes**

#### **Fast Forwarding Tapes:**

Press the FF button.  
If the REW button is pressed, normal tape play returns.

#### **Rewinding Tapes:**

Press the REW button.  
If the FF button is pressed, normal tape play returns.

## Other features (See page 6)

### Audio Control Setting

#### Adjust various parameters of sound quality.

- 1 Press the AUD button to enter the control mode.  
Each time the AUD button is pressed, the adjustment mode display changes as follows:

▶ Bass ▶ Treble ▶ Balance ▶ Fader ▶ Volume

If you do not move to step 2 in 5 seconds, the unit will switch back to the volume adjustment mode (i.e., the normal mode).

#### NOTE Source tone memory

Each source (tape, FM, AM, and disc changer) has its own memory in which to store the bass and treble tone settings.

The settings made for a particular source are then recalled automatically whenever you use that source (e.g., FM mode uses the tone settings made for FM, AM for AM, etc.).

- 2 Press the  $\vee/\wedge$  buttons to adjust the mode shown in the display.  
Use the following table as a guide for adjusting the settings in each mode.

Adjustment mode (Display)	Operation of Audio control button	
	$\vee$ button	$\wedge$ button
Bass ("BAS")	Bass decreased.	Bass increased.
Treble ("TRE")	Treble decreased.	Treble increased.
Balance ("BAL")	Left channel emphasized.	Right channel emphasized.
Fader ("FAD")	Rear channel increased.	Front channel increased.

### Clock Display

#### Display the time.

##### Switching to Time Display:

Press the CLK button repeatedly until the clock is displayed.

### Adjusting Time

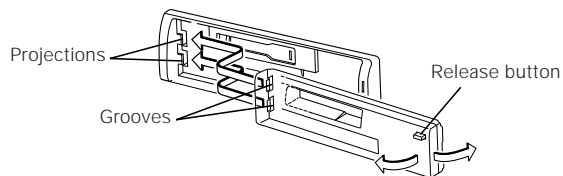
#### Adjust the time.

- 1 When the time is not displayed, first press the CLK button to display the time.
- 2 Hold down the CLK button for one second or more to enter the Time Adjustment mode.  
The hour display will blink.
- 3
  - Adjusting the hours  
Press the FM button to advance the hours, or press the AM button to make the hours go back.
  - Adjusting the minutes  
Press the  $\blacktriangleright\blacktriangleright$  button to advance the minutes, or press the  $\blacktriangleleft\blacktriangleleft$  button to make the minutes go back.
- 4 Press the MENU button to end the Time Adjustment mode.

## Other features *(See page 6)*

### Theft Deterrent Faceplate

The faceplate of the unit can be detached and taken with you, helping to deter theft.



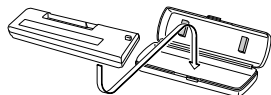
#### Removing Faceplate:

Press the release button.

The faceplate is unlocked, allowing you to detach it.

#### NOTE

- The faceplate is a precision piece of equipment and can be damaged by shocks or jolts. For that reason, keep the faceplate in its special storage case whilst detached.



- Do not expose the faceplate or its storage case to direct sunlight or excessive heat or humidity. Also avoid places with too much dust or the possibility of water splashing.

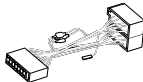



#### Reattaching Faceplate:

- 1 Align the projections on the unit with the grooves on the faceplate.
- 2 Push the faceplate in until it clicks.  
The faceplate is locked in place, allowing you to use the unit.

## Accessories

### External view

### Number of items

①		.....1
②		.....2
③		.....1
④		.....1

#### ▲CAUTION

The use of any accessories except for those provided might result in damage to the unit. Make sure only to use the accessories shipped with the unit, as shown above.

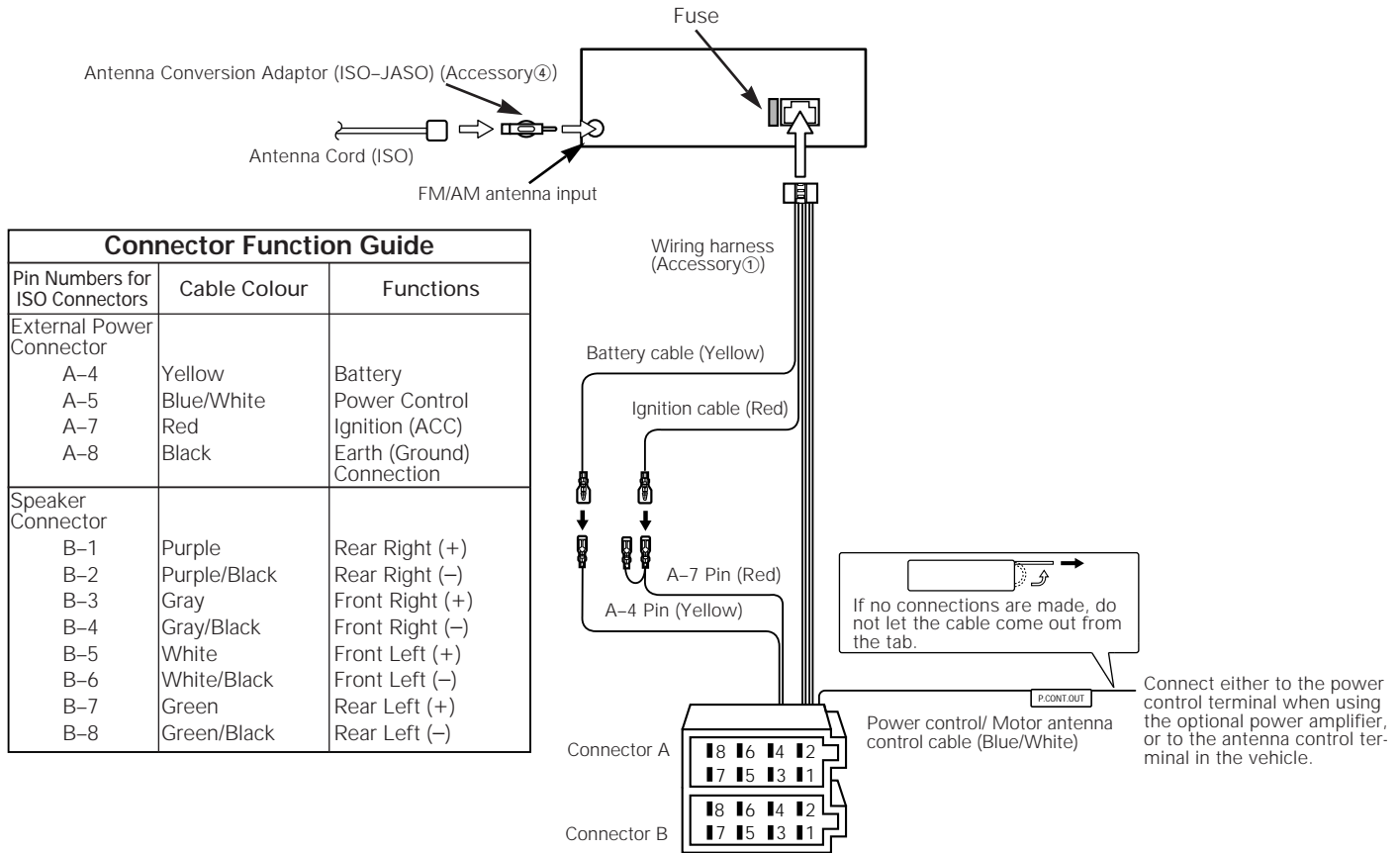
## Installation Procedure

1. To prevent short circuits, remove the key from the ignition and disconnect the  $\ominus$  terminal of the battery.
2. Make the proper input and output cable connections for each unit.
3. Connect the cable on the wiring harness.
4. Take Connector B on the wiring harness and connect it to the speaker connector in your vehicle.
5. Take Connector A on the wiring harness and connect it to the external power connector on your vehicle.
6. Connect the wiring harness connector to the unit.
7. Install the unit in your car.
8. Reconnect the  $\ominus$  terminal of the battery.
9. Press the reset button.

### ▲CAUTION

- If your car is not prepared for this special connection-system, consult your kenwood dealer.
- Only use antenna conversion adapters (ISO-JASO) when the antenna cord has an ISO plug.
- Make sure that all cable connections are securely made by inserting jacks until they lock completely.
- If your vehicle's ignition does not have an ACC position, or if the ignition cable is connected to a power source with constant voltage such as a battery cable, the power will not be linked with the ignition (i.e., it will not turn on and off along with the ignition). If you want to link the unit's power with the ignition, connect the ignition cable to a power source that can be turned on and off with the ignition key.
- If the fuse blows, first make sure that the cables have not caused a short circuit, then replace the old fuse with one with the same rating.
- Do not let unconnected cables or terminals touch metal on the car or anything else conducting electricity. To prevent short circuits, also do not remove the caps on the ends of the unconnected cables or the terminals.
- Connect the speaker cables correctly to the terminals to which they correspond. The unit may receive damage or fail to work if you share the  $\ominus$  cables and/or ground them to any metal part in the car.
- After the unit is installed, check whether the brake lamps, indicators, wipers, etc. on the car are working properly.
- Some disc changers need conversion cables for connection. See the section on "Safety Precautions" for details.
- Insulate unconnected cables with vinyl tape or other similar material.

# Connecting Cables to Terminals



Connector Function Guide		
Pin Numbers for ISO Connectors	Cable Colour	Functions
<b>External Power Connector</b>		
A-4	Yellow	Battery
A-5	Blue/White	Power Control
A-7	Red	Ignition (ACC)
A-8	Black	Earth (Ground) Connection
<b>Speaker Connector</b>		
B-1	Purple	Rear Right (+)
B-2	Purple/Black	Rear Right (-)
B-3	Gray	Front Right (+)
B-4	Gray/Black	Front Right (-)
B-5	White	Front Left (+)
B-6	White/Black	Front Left (-)
B-7	Green	Rear Left (+)
B-8	Green/Black	Rear Left (-)

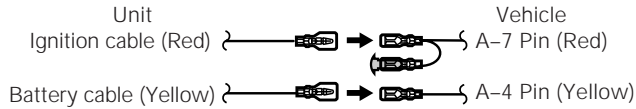
## Connecting Cables to Terminals

### **▲WARNING** Connecting the ISO Connector (see p.13)

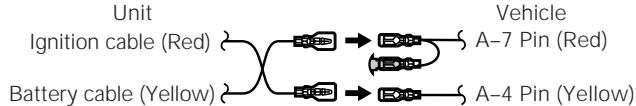
The pin arrangement for the ISO connectors depends on the type of vehicle you drive. Make sure to make the proper connections to prevent damage to the unit.

The default connection for the wiring harness is described in **1** below. If the ISO connector pins are set as described in **2** or **3**, make the connection as illustrated.

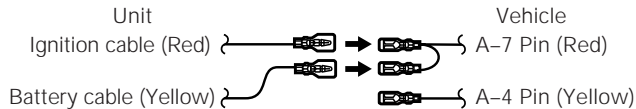
- 1** (Default setting) The A-7 pin (red) of the vehicle's ISO connector is linked with the ignition, and the A-4 pin (yellow) is connected to the constant power supply.



- 2** The A-7 pin (red) of the vehicle's ISO connector is connected to the constant power supply, and the A-4 pin (yellow) is linked to the ignition.



- 3** The A-4 pin (yellow) of the vehicle's ISO connector is not connected to anything, while the A-7 pin (red) is connected to the constant power supply (or both the A-7 (red) and A-4 (yellow) pins are connected to the constant power supply).

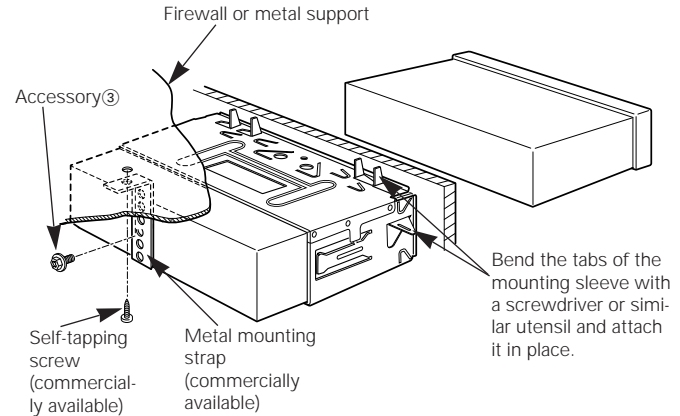


### **NOTE**

When the connection is made as in **3** above, the unit's power will not be linked to the ignition key. For that reason, always make sure to turn off the unit's power when the ignition is turned off. To link the unit's power to the ignition, connect the ignition cable (ACC...red) to a power source that can be turned on and off with the ignition key.

## Installation

### ■ Installation

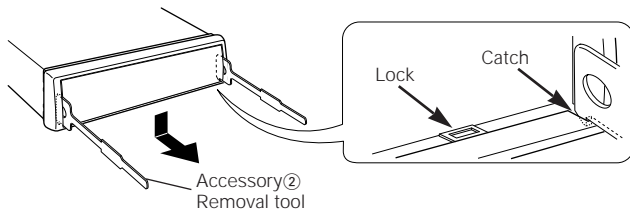


### **NOTE**

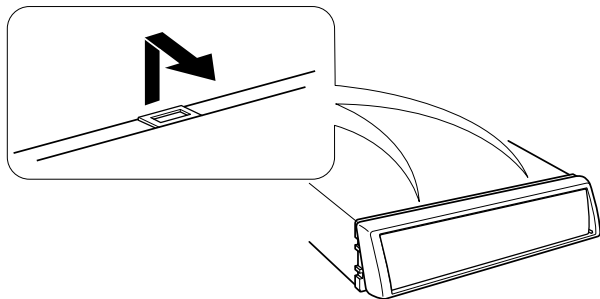
Make sure that the unit is installed securely in place. If the unit is unstable, it may malfunction (eg, the sound may skip).

## ■ Removing the hard rubber frame

- 1 Engage the catch pins on the removal tool and remove the two locks on the lower level.  
Lower the frame and pull it forward as shown in the figure.



- 2 When the lower level is removed, remove the upper two locations.

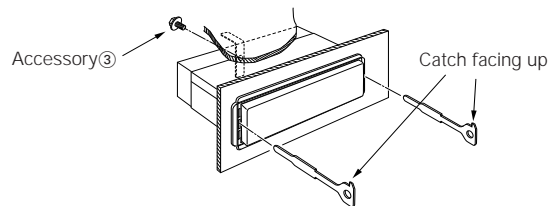


### NOTE

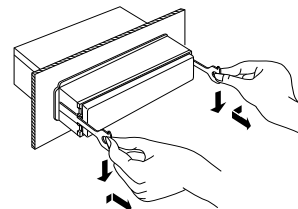
The frame can be removed from the top side in the same manner.

## ■ Removing the Unit

- 1 Refer to the section "Removing the hard rubber frame" and then remove the hard rubber frame.
- 2 Remove the Hex-head screw with integral washer (M4x8) on the back panel.
- 3 Insert the two removal tools deeply into the slots on each side, as shown.



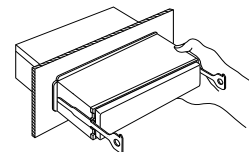
- 4 Lower the removal tool toward the bottom, and pull out the unit halfway whilst pressing towards the inside.



### ▲CAUTION

Be careful to avoid injury from the catch pins on the removal tool.

- 5 Pull the unit all the way out with your hands, being careful not to drop it.



What might appear to be a malfunction in your unit may just be the result of slight misoperation or miswiring. Before calling service, first check the following table for possible problems.

PROBLEM	POSSIBLE CAUSE	SOLUTION
The power does not turn on.	The fuse has blown.	After checking for short circuits in the cables, replace the fuse with one having the same rating.
	No ACC position on vehicle ignition.	Connect the same cable to the ignition as the battery cable.
No sound can be heard, or the volume is low.	The Attenuator function is turned on.	Turn off the Attenuator function.
	The fader and/or balance settings are set all the way to one side.	Reset the fader and/or balance settings.
	The input/output cables or wiring harness are connected incorrectly.	Reconnect the input/output cables and/or the wiring harness correctly. See the section on "Connecting Cables to Terminals".
	The cassette tape is bad.	Try playing another cassette tape. If no problem is experienced, the first tape was bad.
	The cassette tape is not loaded properly.	If the tape does not start to play when a cassette tape is inserted, eject it and try inserting it again.
Nothing happens when the buttons are pressed.	The computer chip in the unit is not functioning normally.	Press the reset button on the unit (see page 3).
The sound quality is poor or distorted.	The tape head is dirty.	Clean the tape head, referring to the section on "Cleaning the tape head" (see page 3).
	A speaker cable may be pinched by a screw in the car.	Check the speaker wiring.
	The speakers are not wired correctly.	Reconnect the speaker cables so that each output terminal is connected to a different speaker.
Radio reception is poor.	The car antenna is not extended.	Pull out the antenna all the way.
	The antenna control cable is not connected.	Connect the cable correctly, referring to the section on "Connecting Cables to Terminals".
The memory is erased when the ignition is turned off.	The battery cable has not been connected to the proper terminal.	Connect the cable correctly, referring to the section on "Connecting Cables to Terminals".
	The ignition and battery cable are incorrectly connected.	Connect the cable correctly, referring to the section on "Connecting Cables to Terminals".



## Specifications

### Specifications subject to change without notice.

#### **FM tuner section**

Frequency range (50 kHz Space) .....	87.5 MHz – 108.0 MHz
Usable sensitivity (S/N = 26dB) .....	0.7 $\mu$ V/75 $\Omega$
Quieting Sensitivity (S/N = 46dB).....	1.6 $\mu$ V/75 $\Omega$
Frequency response ( $\pm$ 3.0 dB) .....	30 Hz – 15 kHz
Signal to Noise ratio (MONO) .....	.65 dB
Selectivity (DIN) ( $\pm$ 400 kHz) .....	$\geq$ 80 dB
Stereo separation (1 kHz) .....	.35 dB

#### **MW tuner section**

Frequency range (9 kHz Space) .....	531 kHz – 1611 kHz
Usable sensitivity (S/N = 20dB) .....	.25 $\mu$ V

#### **LW tuner section**

Frequency range .....	153 kHz – 281 kHz
Usable sensitivity (S/N = 20dB) .....	.45 $\mu$ V

#### **Cassette player section**

Tape speed .....	4.76 cm/sec.
Wow & Flutter (WRMS) .....	0.12 %
Frequency respons (120 $\mu$ s) .....	30 Hz – 14 kHz ( $\pm$ 3 dB)
Separation (1 kHz) .....	.40 dB
Signal to Noise ratio .....	.54 dB

#### **Audio section**

Maximum output power.....	30 W $\times$ 4
Output power (DIN 45324, +B=14.4 V) .....	.20 W $\times$ 4
Tone action	
Bass:.....	100 Hz $\pm$ 10 dB
Treble:.....	10 kHz $\pm$ 10 dB

#### **General**

Operating voltage .....	14.4 V (11 – 16 V allowable)
Current consumption .....	10 A at Rated power
Installation size (W $\times$ H $\times$ D).....	182 $\times$ 53 $\times$ 154 mm
Weight.....	1400 g

## Free Manuals Download Website

<http://myh66.com>

<http://usermanuals.us>

<http://www.somanuals.com>

<http://www.4manuals.cc>

<http://www.manual-lib.com>

<http://www.404manual.com>

<http://www.luxmanual.com>

<http://aubethermostatmanual.com>

Golf course search by state

<http://golfingnear.com>

Email search by domain

<http://emailbydomain.com>

Auto manuals search

<http://auto.somanuals.com>

TV manuals search

<http://tv.somanuals.com>