

# KENWOOD

## KRC-435

CASSETTE RECEIVER

### INSTRUCTION MANUAL

AMPLI-TUNER-LECTEUR DE CASSETTE

### MODE D'EMPLOI

RADIO CASSETTE

### MANUAL DE INSTRUCCIONES

KENWOOD CORPORATION

**Take the time to read through this instruction manual.**

**Familiarity with installation and operation procedures will help you obtain the best performance from your new cassette-receiver.**

#### **For your records**

Record the serial number, found on the back of the unit, in the spaces designated on the warranty card, and in the space provided below. Refer to the model and serial numbers whenever you call upon your KENWOOD dealer for information or service on the product.

Model KRC-435 Serial number \_\_\_\_\_

© B64-2235-00 (KW)



## Contents

<b>Safety precautions.....</b>	<b>3</b>	<b>Cassette player features.....</b>	<b>12</b>	<b>Menu system.....</b>	<b>17</b>
<b>About Cassette tape.....</b>	<b>4</b>	Playing Cassette Tapes		Menu System	
<b>General features .....</b>	<b>5</b>	Fast Forwarding and Rewinding		Security Code	
Power		Dolby B NR		Touch Sensor Tone	
Selecting the Source		Selecting the Tape type		Manual Clock Adjustment	
Volume		Tape Advance		DSI (Disabled System Indicator)	
Attenuator		Blank Skip		Switching Graphic Display	
Loudness		Music Repeat		CRSC (Clean Reception System Circuit)	
System Q				Text Scroll	
Audio Control		<b>External disc control features..</b>	<b>14</b>	<b>Basic Operations of remote.....</b>	<b>20</b>
Speaker Setting		Playing External Disc		Loading and Replacing the battery	
Switching Display		Fast Forwarding and Reversing		Basic operations	
Station/Disc Naming (SNPS/DNPS)		Track Search		In Tuner source	
Auxiliary Input Display Setting		Album Search		In Cassette tape source	
Theft Deterrent Faceplate		Direct Track Search		In Disc source	
<b>Tuner features.....</b>	<b>10</b>	Direct Album Search			
Tuning Mode		Track/Album Repeat		<b>Accessories.....</b>	<b>23</b>
Tuning		Track Scan		<b>Installation Procedure .....</b>	<b>23</b>
Direct Access Tuning		Random Play		<b>Connecting Wires to Terminals</b>	<b>24</b>
Station Preset Memory		Magazine Random Play		<b>Installation .....</b>	<b>25</b>
Auto Memory Entry		Text/Title Scroll		<b>Troubleshooting Guide .....</b>	<b>27</b>
Preset Tuning		DNPP (Disc Name Preset Play)		<b>Specifications .....</b>	<b>31</b>

## Safety precautions

### **▲WARNING**

**To prevent injury or fire, take the following precautions:**

- Insert the unit all the way in until it is fully locked in place. Otherwise it may fall out of place when jolted.
- When extending the ignition, battery, or ground wires, make sure to use automotive-grade wires or other wires with a 0.75mm<sup>2</sup> (AWG18) or more to prevent wire deterioration and damage to the wire coating.
- To prevent a short circuit, never put or leave any metallic objects (such as coins or metal tools) inside the unit.
- If the unit starts to emit smoke or strange smells, turn off the power immediately and consult your Kenwood dealer.
- Make sure not to get your fingers caught between the faceplate and the unit.
- Be careful not to drop the unit or subject it to strong shock.  
The unit may break or crack because it contains glass parts.
- Do not touch the liquid crystal fluid if the LCD is damaged or broken due to shock. The liquid crystal fluid may be dangerous to your health or even fatal.  
If the liquid crystal fluid from the LCD contacts your body or clothing, wash it off with soap immediately.

### **▲CAUTION**

**To prevent damage to the machine, take the following precautions:**

- Make sure to ground the unit to a negative 12V DC power supply.
- Do not open the top or bottom covers of the unit.
- Do not install the unit in a spot exposed to direct sunlight or excessive heat or humidity. Also avoid places with too much dust or the possibility of water splashing.
- Do not set the removed faceplate or the faceplate case in areas exposed to direct sunlight, excessive heat or humidity. Also avoid places with too much dust or the possibility of water splashing.
- To prevent deterioration, do not touch the terminals of the unit or faceplate with your fingers.
- Do not subject the faceplate to excessive shock, as it is a piece of precision equipment.
- When replacing a fuse, only use a new one with the prescribed rating. Using a fuse with the wrong rating may cause your unit to malfunction.
- To prevent a short circuit when replacing a fuse, first disconnect the wiring harness.
- Do not place any object between the faceplate and the unit.
- Do not use your own screws. Use only the screws provided. If you use the wrong screws, you could damage the unit.

### **IMPORTANT INFORMATION**

**About the disc changer/CD player to be connected:**

To connect a disc changer having the "O-N" switch to this unit, set the "O-N" switch to "N". To connect a disc changer having no "O-N" switch to this unit, the converter cord CA-DS100 and/or switching adapter KCA-S210A are required as options.

A disc changer doesn't work when it is connected without using these options. If a model with no "O-N" switch is connected, some unavailable functions and information that cannot be displayed are generated. Note that none of the KDC-C100, KDC-C302, C205, C705, and non-Kenwood CD changers can be connected.



You can damage both your unit and the CD changer if you connect them incorrectly.

### **FCC WARNING**

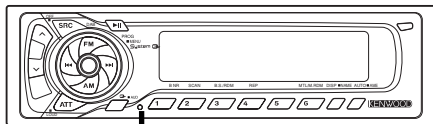
This equipment may generate or use radio frequency energy. Changes or modifications to this equipment may cause harmful interference unless the modifications are expressly approved in the instruction manual. The user could lose the authority to operate this equipment if an unauthorized change or modification is made.

*Manufactured under license from Dolby Laboratories.  
"Dolby" and the double-D symbol are trademarks of Dolby Laboratories.*

## Safety precautions

### NOTE

- If you experience problems during installation, consult your Kenwood dealer.
- If the unit does not seem to be working right, try pressing the reset button first. If that does not solve the problem, consult your Kenwood dealer.
- Press the reset button if the Disc auto changer fails to operate correctly. Normal operation should be restored.



Reset button

- We recommend the use of the Security Code function (see p.18) to prevent theft.
- Characters in the LCD may become difficult to read in temperatures below 41 °F (5 °C).
- The illustrations of the display and the panel appearing in this manual are examples used to explain more clearly how the controls are used. Therefore, what appears on the display in the illustrations may differ from what appears on the display on the actual equipment, and some of the illustrations on the display may represent something impossible in actual operation.

### Cleaning the Faceplate Terminals

If the terminals on the unit or faceplate get dirty, wipe them with a dry, soft cloth.

### Cleaning the Unit

If the faceplate of this unit is stained, wipe it with a dry soft cloth such as a silicon cloth. If the faceplate is stained badly, wipe the stain off with a cloth moistened with neutral cleaner, then wipe neutral detergent off.



Applying spray cleaner directly to the unit may affect its mechanical parts. Wiping the faceplate with a hard cloth or using a volatile liquid such as thinner or alcohol may scratch the surface or erase characters.

## About Cassette tape

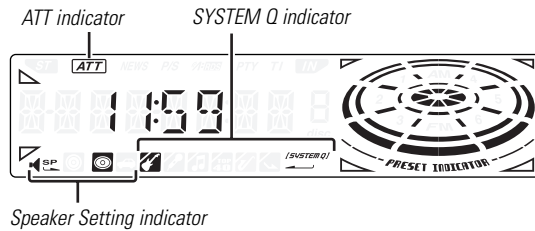
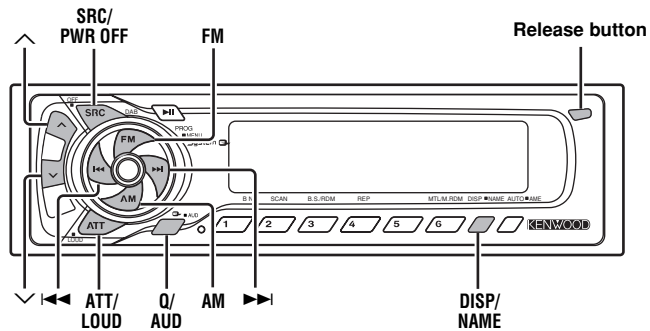
### Cleaning the tape head

When there's noise or the sound quality is bad during tape play the tape head maybe dirty, clean the tape head.

### About Cassette tape

- If the tape is slack tighten it.
- If the cassette tape label is peeling off glue it on again.
- Don't use deformed cassette tape.
- Don't place cassette tape on the dashboard etc. where the temperature is high.
- Don't use cassette tape that's 100 minutes long or longer.

## General features



## Power

### Turning ON the Power

Press the [SRC] button.



When the power is ON, the <Security Code> (page 18) is displayed as "CODE ON" or "CODE OFF".

### Turning OFF the Power

Press the [SRC] button for at least 1 second.

## Selecting the Source

Press the [SRC] button.

Source required	Display
Tuner	"TUNER"
Tape	"TAPE"
External disc	"DISC-CH"
Auxiliary input	"AUX"
Standby (Illumination only mode)	"ALL OFF"



For Auxiliary input one of the below optional accessories is necessary.

- KCA-S210A
- CA-C1AX
- CD changer with an Auxiliary input function installed.

## General features

### Volume

#### Increasing Volume

Press the [ $\wedge$ ] button.

#### Decreasing Volume

Press the [ $\vee$ ] button.

### Attenuator

Turning the volume down quickly.

Press the [ATT] button.

Each time the button is pressed the Attenuator turns ON or OFF. When it's ON, the "ATT" indicator blinks.

### Loudness

Compensating for low and high tones during low volume.

Press the [LOUD] button for at least 1 second.

Each time the button is pressed for at least 1 second the Loudness turns ON or OFF.

When it's ON, "LOUD ON" is displayed.

### System Q

You can recall the best sound setting preset for different types of the music.

#### 1 Select the source to set

Press the [SRC] button.

#### 2 Select the Sound type

Press the [Q] button.

Each time the button is pressed the sound setting switches.

Sound setting	Display
Flat	"FLAT"
User memory	"USER"
Rock	"ROCK"
Pops	"POPS"
Easy	"EASY"
Top 40	"TOP40"
Jazz	"JAZZ"



- User memory: The values set on the <Audio control> (page 6).
- Each setting value is changed with the <Speaker setting> (page 7).  
First, select the speaker type with the Speaker setting.

### Audio Control

#### 1 Select the source for adjustment

Press the [SRC] button.

#### 2 Enter Audio Control mode

Press the [AUD] button for at least 1 second.

#### 3 Select the Audio item for adjustment

Press the [FM] or [AM] button.

Each time the button is pressed the items that can be adjusted switch as shown below.

#### 4 Adjust the Audio item

Press the [◀◀] or [▶▶] button.

<b>Adjustment Item</b>	<b>Display</b>	<b>Range</b>
Bass level	"BAS"	-8 — +8
Middle level	"MID"	-8 — +8
Treble level	"TRE"	-8 — +8
Balance	"BAL"	Left 15 — Right 15
Fader	"FAD"	Rear 15 — Front 15
Volume offset	"V-OFF"	-8 — ±0



Volume offset: Each source's volume can be set as a difference from the basic volume.

## 5 Exit Audio Control mode

Press the [AUD] button.

For 5 & 4 in. speaker	"SP 5/4"
For 6 & 6x9 in. speaker	"SP 6*9/6"
For the OEM speaker	"SP OEM"

## 4 Exit Speaker Setting mode

Press the [Q] button.

## Speaker Setting

Fine-tuning so that the System Q value is optimal when setting the speaker type.

### 1 Enter Standby

Press the [SRC] button.

Select the "ALL OFF" display.

### 2 Enter Speaker Setting mode

Press the [Q] button.

### 3 Select the Speaker type

Press the [◀◀] or [▶▶] button.

Each time the button is pressed the setting switches as shown below.

<b>Speaker type</b>	<b>Display</b>
OFF	"SP OFF"

## General features

### Switching Display

Switching the information displayed.

Press the [DISP] button.

Each time the button is pressed the display switches as shown below.

#### In Tuner source

Information	Display
Frequency	
Station name	"SNPS"
Clock	

#### In Tape source

Information	Display
Play side	
Tape running	
Clock	

#### In External disc source

Information	Display
Track number & Track Time	
Disc name	"DNPS"
Disc title	"D-TITLE"
Track title	"T-TITLE"
Clock	

### Station/Disc Naming (SNPS/DNPS)

Attaching a title to a Station or CD.

#### 1 Receive/play the station/disc you want to attach a title to



- A title can't be attached to a MD.
- Disc Naming can't be done during CD text or clock display.

#### 2 Enter name set mode

Press the [NAME] button for at least 2 seconds.  
"NAME SET" is displayed.

#### 3 Move the cursor to the enter character position

Press the [◀◀] or [▶▶] button.

#### 4 Select the characters

Press the [FM] or [AM] button.



Characters can be entered by using a remote with a number buttons.

Example: If "DANCE" is entered.

Character	Button	#Times pressed
"D"	[#3]	1
"A"	[#2]	1
"N"	[#6]	2
"C"	[#2]	3
"E"	[#3]	2

#### 5 Repeat steps 3 through 4 and enter the name.

#### 6 Exit name set mode

Press the [NAME] button.



- When operation stops for 10 seconds the name at that time is registered, and Name Set mode closes.
- Memory numbers
  - FM: 32 stations
  - AM: 16 stations
  - External CD changer/ player: Varies according to the CD changer/ player. Refer to the CD changer/ player manual.
- The title of station/CD can be changed by the same operation



used to name it.

## Auxiliary Input Display Setting

Selecting the display when this device is switched to Auxiliary input source.

### 1 Select Auxiliary input source

Press the [SRC] button.

Select the "AUX" display.

### 2 Enter Auxiliary input display setting mode

Press the [DISP] button for at least 2 seconds.

The presently selected AUX Name is blinks.

### 3 Select the Auxiliary input display

Press the [◀◀] or [▶▶] button.

Each time the button is pressed it switches through the below displays.

- "AUX"
- "TV"
- "VCP"
- "GAME"
- "PORTABLE"
- "DVD"

### 4 Exit Auxiliary input display setting mode

Press the [DISP] button.



- When operation stops for 10 seconds, the name at that time is selected, and Auxiliary input display setting mode closes.
- This function doesn't work when CA-C1AX is used.

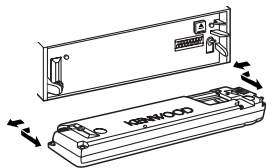
## General features

### Theft Deterrent Faceplate

The faceplate of the unit can be detached and taken with you, helping to deter theft.

#### Removing the Faceplate

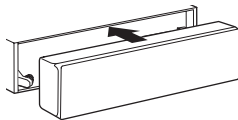
- 1 Press the Release button.  
Drop open the faceplate.
- 2 Drawing the faceplate to left side pull it to the front and remove it.



- The faceplate is a precision piece of equipment and can be damaged by shocks or jolts. For that reason, keep the faceplate in its special storage case while detached.
- Do not expose the faceplate or its storage case to direct sunlight or excessive heat or humidity. Also avoid places with too much dust or the possibility of water splashing.

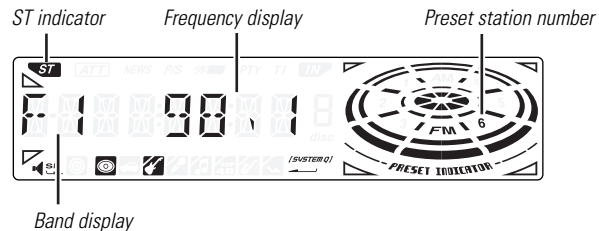
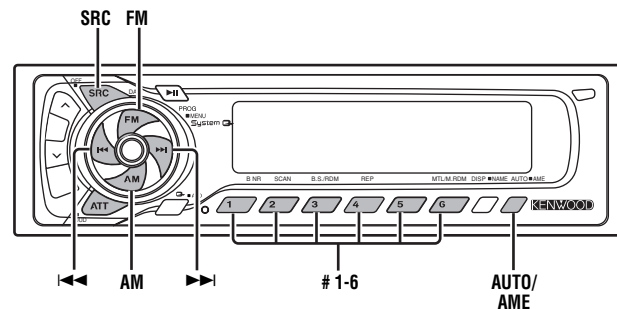
#### Reattaching the Faceplate

- 1 Align the shaft on the unit with the depression on the faceplate.



- 2 Push the faceplate in until it clicks.  
The faceplate is locked in place, allowing you to use the unit.

## Tuner features



## Tuning Mode

Choose the tuning mode.

Press the [AUTO] button.

Each time the button is pressed the Tuning mode switches as shown below.

<b>Tuning mode</b>	<b>Display</b>	<b>Operation</b>
Auto seek	"AUTO 1"	Automatic search for a station.
Preset station seek	"AUTO 2"	Search in order of the stations in the Preset memory.
Manual	"MANUAL"	Normal manual tuning control.

## Tuning

Selecting the station.

### 1 Select tuner source

Press the [SRC] button.

Select the "TUNER" display.

### 2 Select the band

Press the [FM] or [AM] button.

Each time the [FM] button is pressed it switches between the FM1, FM2, and FM3 bands.

### 3 Tune up or down band

Press the [◀◀] or [▶▶] button.



During reception of stereo stations the "ST" indicator is ON.

## Direct Access Tuning (Function of remote)

Entering the frequency and tuning.

### 1 Select the band

Press the [FM] or [AM] button.

### 2 Enter Direct Access Tuning mode

Press the [DIRECT] button on the remote.

"----" is displayed.

### 3 Enter the frequency

Press the number buttons on the remote.

Example:

<b>Desired frequency</b>	<b>Press button</b>
92.1 MHz (FM)	[#0], [#9], [#2], [#1]
810 kHz (AM)	[#0], [#8], [#1], [#0]

### Canceling Direct Access Tuning

Press the [DIRECT] button on the remote.

## Station Preset Memory

Putting the station in the memory.

### 1 Select the band

Press the [FM] or [AM] button.

### 2 Select the frequency to put in the memory

Press the [◀◀] or [▶▶] button.

### 3 Put the frequency in the memory

Press the [#1] — [#6] button for at least 2 seconds.

The preset number display blinks 1 time.

On each band, 1 station can be put in the memory on each [#1]

— [#6] button.

## Tuner features

### Auto Memory Entry

Putting stations with good reception in the memory automatically.

#### 1 Select the band for Auto Memory Entry

Press the [FM] or [AM] button.

#### 2 Open Auto Memory Entry

Press the [AME] button for at least 2 seconds.

When 6 stations that can be received are put in the memory Auto Memory Entry closes.

### Preset Tuning

Calling up the stations in the memory.

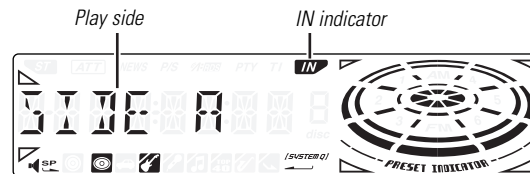
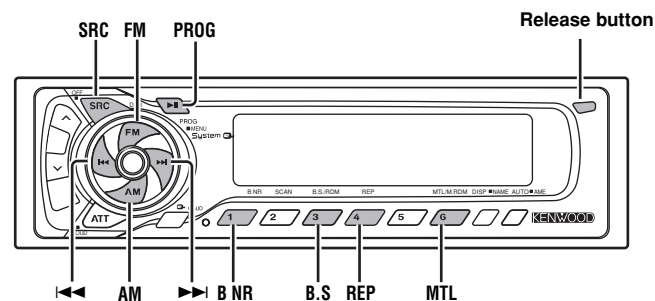
#### 1 Select the band

Press the [FM] or [AM] button.

#### 2 Call up the station

Press the [#1] — [#6] button.

## Cassette player features



## Playing Cassette Tapes

### When there's no Cassette Tape inserted

#### 1 Drop open the faceplate

Press the Release button.

#### 2 Insert a Cassette Tape.

#### 3 Press the faceplate on the right side, and return it to its former position.



- When the faceplate has been dropped open, it might interfere with the shift lever or something else. If this happens, pay attention to safety and move the shift lever or take an appropriate action, then operate the unit.
- Do not use the unit with the faceplate in the open condition. If it's used in the open position dust can enter the inside part and cause damage.



When there's a Cassette Tape inserted, the "IN" indicator is ON.

### When there's a Cassette Tape inserted

Press the [SRC] button.

Select the "TAPE" display.

### When you want to listen to the reverse side

Press the [PROG] button.

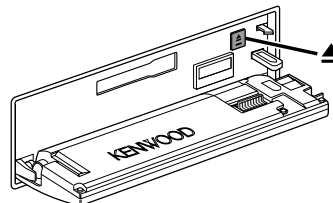
### Eject the Cassette Tape

#### 1 Drop open the faceplate

Press the Release button.

#### 2 Eject the Cassette Tape

Press the [▲] button.



#### 3 Press the faceplate on the right side, and return it to its former position.

## Fast Forwarding and Rewinding

### Fast Forwarding

Press the [FM] button.

When it's stopped press the [PROG] button.

### Rewinding

Press the [AM] button.

When it's stopped press the [PROG] button.

## Dolby B NR

Press the [B NR] button.

Each time the button is pressed the Dolby B NR turns ON or OFF.

When it's ON, "B-NR" is displayed.

## Selecting the Tape type

Press the [MTL] button.

Each time the button is pressed the Tape type switches as shown below.

<b>Tape type</b>	<b>Display</b>
CrO <sub>2</sub> (Type II), FeCr (Type III), Metal (Type IV)	"MTL ON"
Normal (Type I)	"MTL OFF"

## Cassette player features

### Tape Advance

Skipping to the next song or the start of the current song.

#### Skipping to the next song

Press the [▶▶] button.

#### Skips to the start of the current song

Press the [◀◀] button.

### Blank Skip

Fast forwarding automatically when an unrecorded portion continues for at least 10 seconds.

Press the [B.S] button.

Each time the button is pressed the Blank Skip turns ON or OFF. When it's ON, "BS ON" is displayed.

### Music Repeat

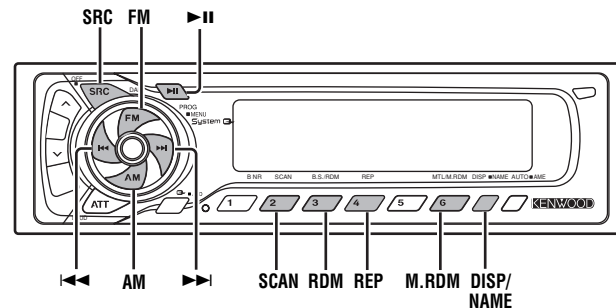
Repeating the present song.

Press the [REP] button.

Each time the button is pressed the Music Repeat turns ON or OFF.

When it's ON, "REP ON" is displayed.

## External disc control features



## Playing External Disc

Playing discs set in the optional accessory disc player connected to this unit.

Press the [SRC] button.

Select the display for the disc player you want.

Display examples:

Display	Disc player
"CD"	CD player
"DISC-CH"	CD changer/ MD changer

### Pause and play

Press the [▶||] button.

Each time the button is pressed it pauses and plays.



- Disc #10 is displayed as "0".
- The functions that can be used and the information that can be displayed will differ depending on the external disc players being connected.

## Fast Forwarding and Reversing

### Fast Forwarding

Hold down on the [▶▶] button.

Release your finger to play the disc at that point.

### Reversing

Hold down on the [◀◀] button.

Release your finger to play the disc at that point.

## Track Search

Selecting the song you want to hear.

Press the [◀◀] or [▶▶] button.

## Album Search (Function of disc changer)

Selecting the disc you want to hear.

Press the [AM] or [FM] button.

## Direct Track Search (Function of remote)

Doing Track Search by entering the track number.

### 1 Enter the track number

Press the number buttons on the remote.

### 2 Do Track Search

Press the [◀◀] or [▶▶] button.

### Canceling Direct Track Search

Press the [▶||] button.

## External disc control features

### Direct Album Search (Function of disc changers with remote)

Doing Disc Search by entering the disc number.

#### 1 Enter the disc number


Press the number buttons on the remote.

#### 2 Do Album Search

Press the [DISC+] or [DISC-] button.

#### Canceling Direct Album Search

Press the [▶||] button.

 Input "0" to select disc 10.

### Track/Album Repeat

Replaying the track/disc you're listening to.

Press the [REP] button.

Each time the button is pressed the Repeat Play switches as shown below.

Repeat play	Display
Track Repeat	"T-REP ON"
Album Repeat (Function of disc changer)	"D-REP ON"
OFF	"REP OFF"

### Track Scan

Playing the first part of each song on the disc you are listening to and searching for the song you want to listen to.

#### 1 Start Track Scan

Press the [SCAN] button.

"SCAN ON" is displayed.

#### 2 Release it when the song you want to listen to is played

Press the [SCAN] button.


### Random Play

Playing all the songs on the disc in random order.

Press the [RDM] button.

Each time the button is pressed Random Play turns ON or OFF.

When it's ON, "RDM ON" is displayed.

 When the [▶||] button is pressed, the next song select starts.

### Magazine Random Play (Function of disc changer)

Play the songs on all the discs in the disc changer in random order.

Press the [M.RDM] button.

Each time the button is pressed the Magazine Random Play turns ON or OFF.

When it's ON, "MRDM ON" is displayed.



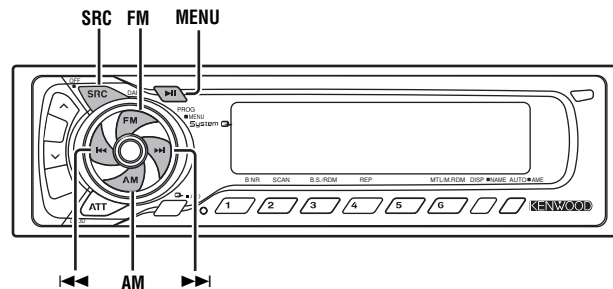
When the **▶▶** button is pressed, the next song select starts.

## Menu system

### Text/Title Scroll

Scrolling the displayed CD text or MD title.

Press the [DISP] button for at least 1 second.



### DNPP (Disc Name Preset Play) (Function of disc changers with remote)

Selecting the CD displayed in the DNPS of the CDs set in the Disc changer.

#### 1 Enter DNPP mode

Press the [DNPP] button on the remote.

When "DNPP" is displayed the DNPS display in order.

#### Forward / Reverse display

Press the [DISC-] or [DISC+] button.

#### 2 When the disc you want is displayed

Press the [OK] button on the remote.

The disc being displayed is played.

#### Canceling the DNPP mode

Press the [DNPP] button on the remote.



Menu display

## Menu system

### Menu System

Setting during operation beep sound etc. functions. The Menu system basic operation method is explained here. The reference for the Menu items and their setting content is after this operation explanation.

#### 1 Enter Menu mode

Press the [MENU] button for at least 1 second.  
"MENU" is displayed.

#### 2 Select the menu item


Press the [FM] or [AM] button.  
Example: When you want to set the beep sound select the "BEEP" display.

#### 3 Set the menu item

Press the [◀◀] or [▶▶] button.  
Example: When "BEEP" is selected, each time the button is pressed it switches "BEEP ON" or "BEEP OFF". Select 1 of them as the setting.  
You can continue by returning to step 2 and setting other items.

#### 4 Exit Menu mode

Press the [MENU] button.

 When other items that are applicable to the basic operation method above are displayed afterwards their setting content chart is entered. (Normally the uppermost setting in the chart is the original setting.)

Also, the explanation for items that aren't applicable (<Manual Clock Adjustment>etc.) are entered step by step.

### Security Code

Because authorization by the Security Code is required when it's

removed from the vehicle, personalizing this unit is by using the Security Code is a help in preventing theft.



When the Security Code function is activated, the code can't be changed and the function can't be released.

Note, the Security Code can be set as the 4 digit number of your choice.

#### 1 Enter Standby

Press the [SRC] button.  
Select the "ALL OFF" display.

#### 2 Enter Menu mode

Press the [MENU] button for at least 1 second.  
When "MENU" is displayed, "SECURITY" is displayed.

#### 3 Enter Security Code mode

Press the [◀◀] or [▶▶] button for at least 1 second.  
When "ENTER" is displayed, "CODE" is displayed.

#### 4 Select the digits to enter

Press the [◀◀] or [▶▶] button.

#### 5 Select the Security Code numbers

Press the [FM] or [AM] button.

#### 6 Repeat steps 4 and 5, and complete the Security Code.

#### 7 Confirm the Security Code

Press the [▶▶] button for at least 3 seconds.  
When "RE-ENTER" is displayed, "CODE" is displayed.

#### 8 Do the step 4 through 7 operation, and reenter the Security Code.

"APPROVED" is displayed.  
The Security Code function activates.



When the wrong Code is entered in steps 4 through 6, repeat from step 4.

**Press the Reset button and when it's removed from the battery power source**

- 1 Turn the power ON.
- 2 Do the step 4 through 7 operation, and enter the Security Code.  
"APPROVED" is displayed.  
The unit can be used.

### Touch Sensor Tone

Setting the operation check sound (beep sound) ON/OFF.

Display	Setting
"BEEP ON"	Beep is heard.
"BEEP OFF"	Beep canceled.

### Manual Clock Adjustment

- 1 **Select Clock Adjustment mode**  
Press the [FM] or [AM] button.  
Select the "CLK ADJ" display.
- 2 **Enter Clock Adjust mode**  
Press the [◀◀] or [▶▶] button for at least 1 second.  
The clock display blinks.
- 3 **Adjust the hours**  
Press the [FM] or [AM] button.  
**Adjust the minutes**  
Press the [◀◀] or [▶▶] button.
- 4 **Exit Clock adjustment mode**

Press the [MENU] button.

### DSI (Disabled System Indicator)

A red indicator will blink on the unit after the faceplate is removed, warning potential thieves.

Display	Setting
"DSI ON"	LED flashes.
"DSI OFF"	LED OFF.

### Switching Graphic Display

Setting the graphic part display ON/OFF.


Display	Setting
"GRPH ON"	The graphic part is displayed.
"GRPH OFF"	The graphic part isn't displayed.

## Menu system

### CRSC (Clean Reception System Circuit) <In FM reception>

Temporarily have reception switched from stereo to mono to reduce multi-path noise when listening to the FM station.


Display	Setting
"CRSC ON"	The CRSC is ON.
"CRSC OFF"	The CRSC is OFF.

 Strong electrical fields (such as from power lines) may cause unstable sound quality when CRSC is turned ON. In such a situation, turn it OFF.

### Text Scroll <In External disc control mode>

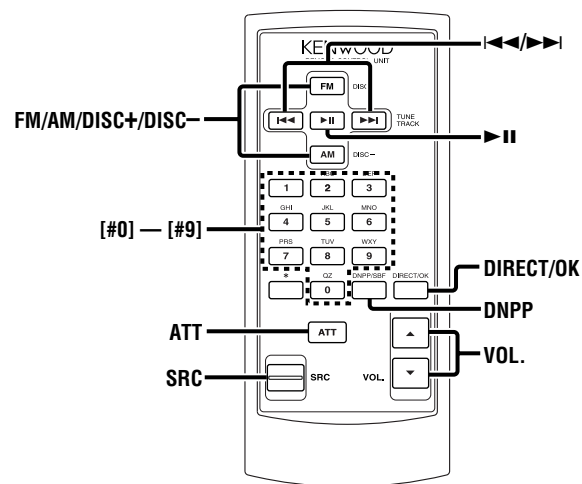
Setting the displayed text scroll.

Display	Setting
"SCL AUTO"	Repeats scroll.
"SCL MANU"	Scrolls when the display changes.

 The text scrolled is shown below.

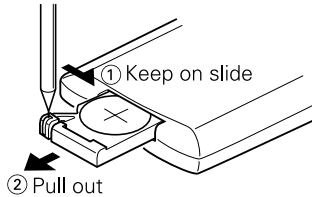
- CD text
- MD title

## Basic Operations of remote




## Loading and Replacing the battery

Use one lithium battery (CR2025).  
Insert the batteries with the + and – poles aligned properly,  
following the illustration inside the case.



### **▲WARNING**

Store unused batteries out of the reach of children. Contact a doctor immediately if the battery is accidentally swallowed.

 Do not set the remote on hot places such as above the dashboard.

## Basic operations

### **[VOL.] buttons**

Adjusting the volume.

### **[SRC] button**

Each time the button is pressed the source switches.  
For the source switching order refer to <Selecting the Source>  
(page 5).

### **[ATT] button**

Turning the volume down quickly.  
When it is pressed again it returns to the previous level.

## In Tuner source

### **[FM]/ [AM] buttons**

Select the band.  
Each time the [FM] button is pressed it switches between the  
FM1, FM2, and FM3 bands.

### **[◀◀]/ [▶▶] buttons**

Tune up or down band.

### **[#0] — [#9] buttons**

Press buttons [#1] — [#6] to recall preset stations.

### **[DIRECT] button**

Enters and cancels the <Direct Access Tuning> (page 11) mode.

## ***Basic Operations of remote***

### **In Cassette tape source**

#### **[◀◀]/ [▶▶] buttons**

Do <Tape Advance> (page 14).

#### **[▶ II] button**

Plays the reverse side of the tape.

#### **[FM ] button**

Fast forwards the tape.

When the [▶ II] button is pressed it releases.

#### **[AM] button**

Rewinds the tape.

When the [▶ II] button is pressed it can be released.

### **In Disc source**

#### **[◀◀]/ [▶▶] buttons**

Doing track forward and backward.

#### **[DISC+]/ [DISC-] buttons**

Doing album forward and backward.

#### **[▶ II] button**

Each time the button is pressed the song pauses and plays.

#### **[DNPP]/ [OK] button**

Enters and cancels the <DNPP (Disc Name Preset Play)> (page 17) mode.

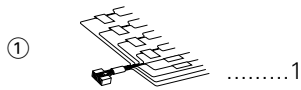
#### **[#0] — [#9] buttons**

When in <Direct Track Search> (page 15) and <Direct Album Search> (page 16), enter the track/disc number.

## Accessories

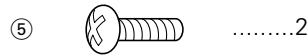
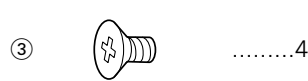
### External view

..... Number of items



### External view

..... Number of items



The use of any accessories except for those provided might result in damage to the unit. Make sure only to use the accessories shipped with the unit, as shown above.

## Installation Procedure

1. To prevent a short circuit, remove the key from the ignition and disconnect the  $\ominus$  battery.
2. Make the proper input and output wire connections for each unit.
3. Connect the speaker wires of the wiring harness.
4. Connect the wiring harness wires in the following order: ground, battery, ignition.
5. Connect the wiring harness connector to the unit.
6. Install the unit in your car.
7. Reconnect the  $\ominus$  battery.
8. Press the reset button.

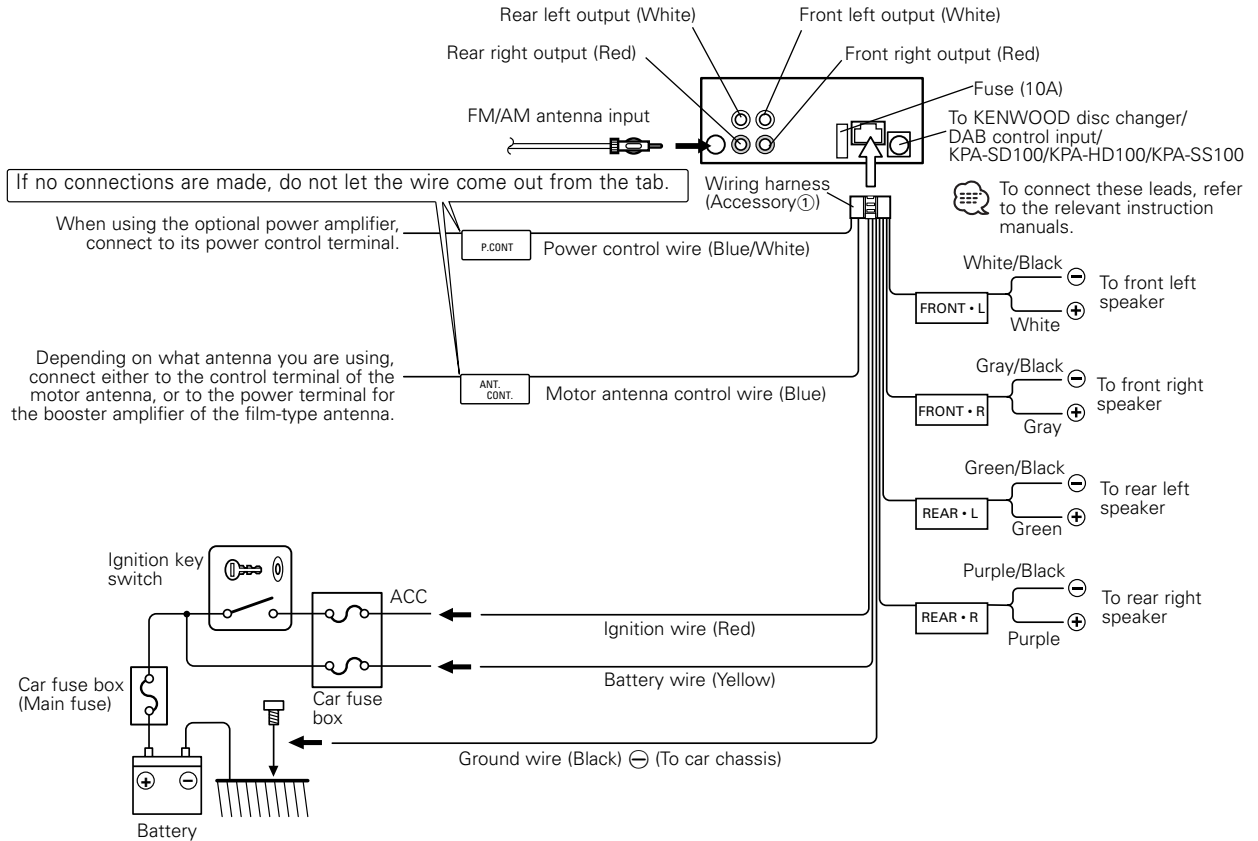
### ▲WARNING

If you connect the ignition wire (red) and the battery wire (yellow) to the car chassis (ground), you may cause a short circuit, that in turn may start a fire. Always connect those wires to the power source running through the fuse box.

### ▲CAUTION

- If your car's ignition does not have an ACC position, connect the ignition wires to a power source that can be turned on and off with the ignition key. If you connect the ignition wire to a power source with a constant voltage supply, as with battery wires, the battery may die.
- If the console has a lid, make sure to install the unit so that the faceplate will not hit the lid when closing and opening.
- If the fuse blows, first make sure the wires aren't touching to cause a short circuit, then replace the old fuse with one with the same rating.
- Insulate unconnected wires with vinyl tape or other similar material. To prevent a short circuit, do not remove the caps on the ends of the unconnected wires or the terminals.
- Connect the speaker wires correctly to the terminals to which they correspond. The unit may be damaged or fail to work if you share the  $\ominus$  wires or ground them to any metal part in the car.
- When only two speakers are being connected to the system, connect the connectors either to both the front output terminals or to both the rear output terminals (do not mix front and rear). For example, if you connect the  $\oplus$  connector of the left speaker to a front output terminal, do not connect the  $\ominus$  connector to a rear output terminal.
- After the unit is installed, check whether the brake lamps, blinkers, wipers, etc. on the car are working properly.
- Mount the unit so that the mounting angle is  $30^\circ$  or less.

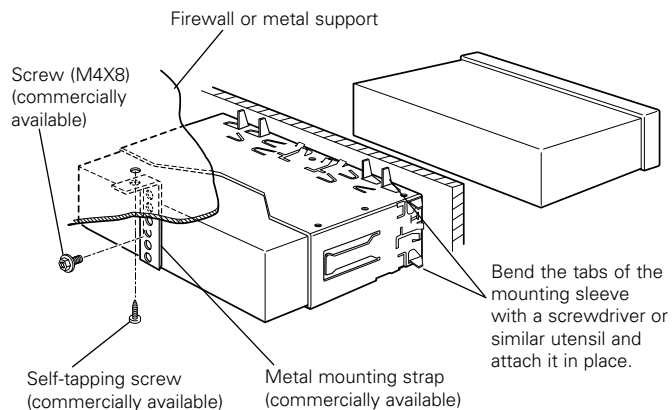
# Connecting Wires to Terminals





# Installation

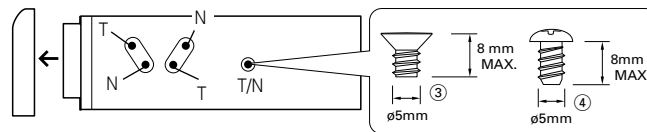
## ■ Installation



Make sure that the unit is installed securely in place. If the unit is unstable, it may malfunction (for example, the sound may skip).

## ■ Installing in Japanese-Made Cars

- 1 Refer to the section "Removing the hard rubber frame" (page 26) and then remove the hard rubber frame.
- 2 Align the holes in the unit (two locations on each side) with the vehicle mounting bracket and secure the unit with the accessory screws.



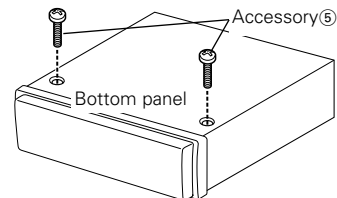
T: Toyota cars  
N: Nissan cars

Accessory③...for Nissan car  
Accessory④...for Toyota car

- ⚠ During installation, do not use any screws except for those provided. The use of different screws might result in damage to the main unit.
- Damage may occur if a screwdriver or similar tool is used with excessive force during the installations.

## ■ Screwing the Faceplate on the Unit

If you want to fasten the faceplate to the main unit so that it does not fall off, screw in the provided screws (ø4 X 16 mm) in the holes shown below.

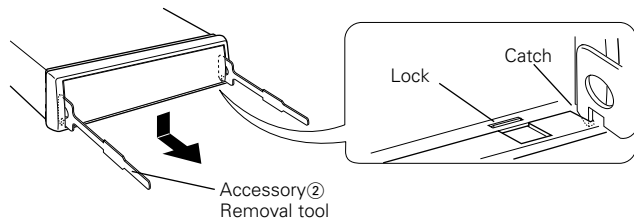


- ⚠ Never insert the tapite screw (ø4 x 16 mm) in any other screw hole than the one specified. If you screw it in another hole, it will contact and may cause damage to the mechanical parts inside the unit.

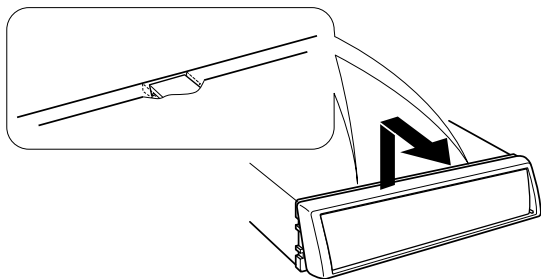
## Installation

### ■ Removing the hard rubber frame

- 1 Engage the catch pins on the removal tool and remove the two locks on the lower level.  
Lower the frame and pull it forward as shown in the figure.



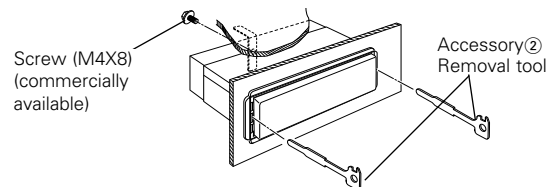
- 2 When the lower level is removed, remove the upper two locations.



The frame can be removed from the top side in the same manner.

### ■ Removing the Unit

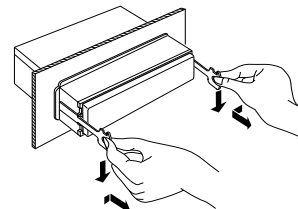
- 1 Refer to the section "Removing the hard rubber frame" and then remove the hard rubber frame.
- 2 Remove the screw (M4 x 8) on the back panel.
- 3 Insert the two removal tools deeply into the slots on each side, as shown.



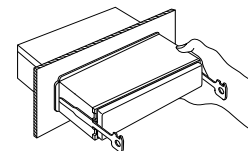
- 4 Lower the removal tool toward the bottom, and pull out the unit halfway while pressing towards the inside.



Be careful to avoid injury from the catch pins on the removal tool.



- 5 Pull the unit all the way out with your hands, being careful not to drop it.



## Troubleshooting Guide

---

**What might seem to be a malfunction in your unit may just be the result of slight misoperation or miswiring. Before calling service, first check the following table for possible problems.**

### General

#### ? The power does not turn ON.

- ✓ The fuse has blown.
    - ⓘ After checking for short circuits in the wires, replace the fuse with one with the same rating.
  - ✓ No ACC position on vehicle ignition.
    - ⓘ Connect the same wire to the ignition as the battery wire.
- 

#### ? Nothing happens when the buttons are pressed.

- ✓ The computer chip in the unit is not functioning normally.
    - ⓘ Press the reset button on the unit (page 4).
- 

#### ? There's a source you can't switch.

- ✓ There's no tape inserted.
    - ⓘ Set the media you want to listen to. If there's no media in this unit, you can't switch to each source.
  - ✓ The Disc changer isn't connected.
    - ⓘ Connect the Disc changer. If the Disc changer isn't connected to it's input terminal, You can't switch to an external disc source.
- 

#### ? The memory is erased when the ignition is turned OFF.

- ✓ The battery wire has not been connected to the proper terminal.
    - ⓘ Connect the wire correctly, referring to the section on <Connecting Wires to Terminals>.
  - ✓ The ignition and battery wire are incorrectly connected.
    - ⓘ Connect the wire correctly, referring to the section on <Connecting Wires to Terminals>.
- 

#### ? Even if Loudness is turned ON, high-pitched tone isn't compensated for.

- ✓ Tuner source is selected.
    - ⓘ High-pitched tone isn't compensated for when in Tuner source.
- 

#### ? No sound can be heard, or the volume is low.

- ✓ The fader or balance settings are set all the way to one side.
    - ⓘ Center the fader and balance settings.
  - ✓ The input/output wires or wiring harness are connected incorrectly.
    - ⓘ Reconnect the input/output wires or the wiring harness correctly. See the section on <Connecting Wires to Terminals>.
  - ✓ The cassette tape is bad.
    - ⓘ Try playing another cassette tape. If works fine, the first tape was bad.
  - ✓ The values of Volume offset are low.
    - ⓘ Increase the values of Volume offset. (page 6)
- 

#### ? The sound quality is poor or distorted.

- ✓ One of the speaker wires is being pinched by a screw in the car.
    - ⓘ Check the speaker wiring.
  - ✓ The tape head is dirty.
    - ⓘ Clean the tape head.
  - ✓ The speakers are not wired correctly.
    - ⓘ Reconnect the speaker wires so that each output terminal is connected to a different speaker.
- 

#### ? The Security Code item isn't displayed in the Menu System.

- ✓ The Security Code function is already activated.
    - ⓘ When the Security Code function is activated it isn't displayed in the menu items.
- 

#### ? The Touch Sensor Tone doesn't sound.

- ✓ The preout jack is being used.
    - ⓘ The Touch Sensor Tone can't be output from the preout jack.
- 

#### ? Even though the vehicle light switch is turned ON, the unit's display won't dim.

- ✓ The dimmer wire isn't connected.
    - ⓘ Connect the dimmer wire correctly.
- 

#### ? The Dimmer function doesn't work.

- ✓ The Dimmer wire isn't connected correctly.
    - ⓘ Check the Dimmer wire connection.
-

## Troubleshooting Guide

### Tuner source

#### ? Radio reception is poor.

- ✓ The car antenna is not extended.
  - ☞ Pull the antenna out all the way.
- ✓ The antenna control wire is not connected.
  - ☞ Connect the wire correctly, referring to the section on <Connecting Wires to Terminals>.

#### ? The desired frequency can't be entered with the Direct Access Tuning.

- ✓ A station that can't be received is being entered.
  - ☞ Enter a station that can be received.
- ✓ You're trying to enter a frequency with a 0.01 MHz unit.
  - ☞ What can be designated in the FM band is to 0.1 MHz.

### Cassette tape source

#### ? Can't remove tape.

- ✓ The cause is that more than 10 minutes has elapsed since the vehicle ACC switch was turned OFF.
  - ☞ The tape can only be removed within 10 minutes of the ACC switch being turned OFF. If more than 10 minutes has elapsed, turn the ACC switch ON again and press the Eject button.

#### ? The DPSS, Tape Advance and Music Repeat don't operate correctly.

- ✓ The space between the songs on the tape can't be recognized because it's too short.
  - ☞ Have at least 4 seconds between songs.
- ✓ The space between songs can't be recognized because there's too much noise between songs.
  - ☞ Reduce the noise between songs.

#### ? The blank skip doesn't work.

- ✓ Because noise is too loud, the non-recorded part can't be recognized.
  - ☞ Reduce the noise between songs.

#### ? Blank Skip functions at places that are recorded.

- ✓ Because the recording level is low, it's recognized as not recorded.
  - ☞ Turn Blank Skip OFF.

### Disc source

#### ? "AUX" is displayed without achieving External disc control mode.

- ✓ O-N switch is set to "O" side.
  - ☞ Set the switch to "N" side.
- ✓ Unsupported disc changer is connected.
  - ☞ Connect the supported disc changer. (page 3)

#### ? The specified disc does not play, but another one plays instead.

- ✓ The specified CD is quite dirty.
  - ☞ Clean the CD.
- ✓ The CD is upside-down.
  - ☞ Load the CD with the labeled side up.
- ✓ The disc is loaded in a different slot from that specified.
  - ☞ Eject the disc magazine and check the number for the specified disc.
- ✓ The disc is severely scratched.
  - ☞ Try another disc instead.

#### ? The specified track will not play.

- ✓ Random play or magazine random play has been selected.
  - ☞ Turn off random play or magazine random play.

#### ? Track repeat, disc repeat, track scan, random play, and magazine random play start by themselves.

- ✓ The setting is not canceled.
  - ☞ The settings for these functions remain on until the setting to off or the disc ejected, even if the power is turned off or the source changed.

#### ? Cannot play CD-R or CD-RW.

- ✓ Finalization processing is not being conducted for CD-R/CD-RW.
  - ☞ Conduct finalization processing with CD recorder.
- ✓ A non-compatible CD changer is being used to play the CD-R/CD-RW.
  - ☞ Use a CD changer compatible with CD-R/CD-RW to play.

#### ? Direct Track Search and Direct Album Search can't be done.

- ✓ Another function is ON.
  - ☞ Turn Random Play or other functions OFF.

#### ? Track Search can't be done.

- ✓ For the albums first or last song.
  - ☞ For each album, Track Search can't be done in the backward

---

direction for the first song or in the forward direction for the last song.

---

**If the following situations, consult your nearest service center:**

- Even though the disc changer is connected, the Disc Changer source is not ON, with "AUX" showing in the display during the Changer Mode.
- Even though no device (KCA-S210A, CA-C1AX, KDC-CPS87, KDC-CX87, KDC-CPS85, KDC-CX85, KDC-CPS82 or KDC-CX82) is connected, the Auxiliary input is entered when switching modes.

## Troubleshooting Guide

### The messages shown below display your systems condition.

EJECT:	No disc magazine has been loaded in the changer. The disc magazine is not completely loaded. ⇨ Load the disc magazine properly. No CD in the unit. ⇨ Insert the CD.	HOLD ER:	The protective circuit in the unit activates when the temperature inside the automatic disc changer exceeds 60°C (140°F), stopping all operation. ⇨ Cool down the unit by opening the windows or turning on the air conditioner. As the temperature falls below 60°C (140°F), the disc will start playing again.
NO DISC:	No disc has been loaded in the disc magazine. ⇨ Load a disc into the disc magazine.	NO NAME:	<ul style="list-style-type: none"> <li>• Attempted to display DNPS during the CD play having no disc names preset.</li> <li>• Attempted to display SNPS during the receiving session of the station having no station name preset.</li> </ul>
TOC ER:	No disc has been loaded in the disc magazine. ⇨ Load a disc into the disc magazine. The CD is quite dirty. The CD is upside-down. The CD is scratched a lot. ⇨ Clean the CD and load it correctly.	NO TITLE:	Attempted to display the disc title or track title while the MD having no MD title is being played.
BLANK:	Nothing has been recorded on the MD.	NO TEXT:	Attempted to display the disc text or track text while the CD having no CD text is being played.
NO TRACK	No tracks are recorded on the MD, although it has a title.	LOAD:	Discs are being exchanged in the Disc changer.
NO PANEL:	The faceplate of the slave unit being connected to this unit has been removed. ⇨ Replace it.	READING:	The unit is reading the data on the disc.
E-77:	The unit is malfunctioning for some reason. ⇨ Press the reset button on the unit. If the "E-77" code does not disappear, consult your nearest service center.	NO ACCES:	After setting it in the Disc Changer, DNPP was done without having it been played at least 1 time.
MECHA ER:	Something is wrong with the disc magazine. Or the unit is malfunctioning for some reason. ⇨ Check the disc magazine. And then press the reset button on the unit. If the "MECHA ER" code does not disappear, consult your nearest service center.	IN (Blink):	The tape player section is not operating properly. ⇨ Reinsert the Tape. If the tape cannot be ejected or the display continues to flash even when the tape has been properly reinserted, please switch off the power and consult your nearest service center.

## **Specifications**

---

### **Specifications subject to change without notice.**

#### **FM tuner section**

Frequency range (200 kHz space) .....	87.9 MHz –107.9 MHz
Usable sensitivity (S/N = 30dB) .....	9.3 dBf (0.8 $\mu$ V/75 $\Omega$ )
Quieting Sensitivity (S/N = 50dB) .....	15.2 dBf (1.6 $\mu$ V/75 $\Omega$ )
Frequency response ( $\pm$ 3 dB).....	30 Hz – 15 kHz
Signal to Noise ratio (MONO).....	70 dB
Selectivity ( $\pm$ 400 kHz).....	$\geq$ 80 dB
Stereo separation (1 kHz) .....	40 dB

#### **AM tuner section**

Frequency range (10 kHz space) .....	530 kHz – 1700 kHz
Usable sensitivity (S/N = 20dB) .....	28 dB $\mu$ (25 $\mu$ V)

#### **Cassette player section**

Tape Speed.....	4.76 cm/sec.
Wow & Flutter (WRMS) .....	0.08 %
Frequency response ( $\pm$ 3 dB) (70 $\mu$ s).....	30 Hz – 20 kHz
Separation (1 kHz) .....	43 dB
Signal to Noise ratio	
Dolby NR OFF .....	57 dB
Dolby B NR ON .....	65 dB

#### **Audio section**

Maximum output power.....	47 W x 4
Full Bandwidth Power (at less than 1% THD) .....	22 W x 4
Tone action	
Bass : .....	100 Hz $\pm$ 10 dB
Middle : .....	1 kHz $\pm$ 10 dB
Treble : .....	10 kHz $\pm$ 10 dB
Preout level / Load (during disc play) .....	1800 mV / 10 k $\Omega$
Preout impedance.....	$\leq$ 600 $\Omega$

#### **General**

Operating voltage (11 – 16V allowable) .....	14.4 V
Current consumption.....	10 A
Installation Size (W x H x D) .....	182 x 53 x 150 mm
	7-3/16 x 2-1/16 x 5-9/10 inch
Weight.....	2.64 lbs (1.2 kg)

## Free Manuals Download Website

<http://myh66.com>

<http://usermanuals.us>

<http://www.somanuals.com>

<http://www.4manuals.cc>

<http://www.manual-lib.com>

<http://www.404manual.com>

<http://www.luxmanual.com>

<http://aubethermostatmanual.com>

Golf course search by state

<http://golfingnear.com>

Email search by domain

<http://emailbydomain.com>

Auto manuals search

<http://auto.somanuals.com>

TV manuals search

<http://tv.somanuals.com>