

# KENWOOD

**KRC-V879R**  
**KRC-779R**

CASSETTE RECEIVER  
**INSTRUCTION MANUAL**

KENWOOD CORPORATION



B64-1917-00 (EN)

# Contents

<b>Safety precautions</b> .....	<b>3</b>	<b>Cassette player features</b>		Restricting RDS Region (Region Restrict Function) .....	36
<b>General features</b>		Playing Cassette Tapes .....	20	Auto TP Seek Function .....	36
Power .....	6	Fast Forwarding and Rewinding .....	20	Monaural Reception .....	36
Switching Modes .....	6	Cassette Tapes .....	20	Text Scroll .....	36
Volume .....	7	Using Dolby B Noise Reduction .....	20	Power OFF Timer .....	36
Attenuator .....	7	Switching Tape Types .....	20		
Loudness .....	8	Using DPSS (Direct Programme Search System) .....	21	<b>Basic Operations of remote control</b> .....	<b>37</b>
System Q .....	8	Using DPSS with Remote Control .....	21	<b>Installation</b>	
Speaker Setting .....	8	Blank Skip .....	22	Accessories .....	40
TEL Mute .....	8	Music Repeat .....	22	Installation Procedure .....	40
Faceplate Angle Adjustment .....	9	Switching Display for Cassette Tapes .....	22	Connecting Cables to Terminals .....	41
Forced Closing .....	9			Installation .....	42
Removing the Faceplate .....	10	<b>External disc control features</b>		Removing the Unit .....	43
Clock display .....	10	Playing Disc mode .....	23	Locking the faceplate to the unit .....	44
<b>Audio control features</b>		Switching Display for Discs .....	24		
Audio Control Setting .....	11	Fast Forwarding and Reversing Disc Play .....	24	<b>Troubleshooting Guide</b> .....	<b>45</b>
Bass Centre Frequency .....	12	Track Search .....	24	<b>Specifications</b> .....	<b>49</b>
Bass Level .....	12	Disc Search .....	25		
Bass Quality Factor .....	12	Direct Track Search .....	25		
Bass Extend .....	12	Direct Disc Search .....	25		
Middle Centre Frequency .....	12	Track / Disc Repeat .....	26		
Middle Level .....	12	Track Scan .....	26		
Middle Quality Factor .....	12	Random Play .....	26		
Treble Centre Frequency .....	12	Magazine Random Play .....	26		
Treble Level .....	13	Text / Title Scroll .....	27		
Balance Level .....	13	Presetting Disc Names (DNPS) .....	28		
Fader Level .....	13	Disc Name Preset Play (DNPP) .....	29		
Volume Offset .....	13				
<b>Tuner features</b>		<b>Menu settings</b>			
Tuning .....	14	Menu System .....	30		
Direct Access Tuning .....	14	Mask Key .....	31		
Station Preset Memory .....	14	Touch Sensor Tone .....	31		
Switching Display for Tuner .....	15	Manual Time Adjustment .....	32		
		Automatic Time Adjustment .....	32		
<b>RDS features</b>		Selectable Illumination .....	32		
RDS (Radio Data System) .....	16	Switching Graphic Display .....	32		
Enhanced Other Network .....	16	Variable Illumination Colour Setting .....	33		
Alarm .....	16	Contrast Adjustment .....	33		
Traffic Information Function .....	16	Dimmer .....	33		
Presetting Volume for Traffic .....	16	Time setting for removing the faceplate .....	34		
Information/News .....	17	System Q .....	34		
Radio Text Scroll .....	17	External Amp Control .....	34		
Programme Type (PTY) Function .....	18	News Bulletin Function with .....			
Changing Language for Programme Type(PTY) .....	19	PTY News Timeout Setting .....	34		
Function .....	19	Local Seek Function .....	35		
		Selecting Tuning Mode .....	35		
		Auto Memory Entry .....	35		
		AF (Alternative Frequency) Function .....	35		

## Safety precautions

### **▲WARNING**

**To prevent injury and/or fire, take the following precautions:**

- Insert the unit all the way until it is fully locked in place. Otherwise it may fly out of place during collisions and other jolts.
- When extending the ignition, battery or ground cables, make sure to use automotive-grade cables or other cables with an area of 0.75mm<sup>2</sup> (AWG18) or more to prevent cable deterioration and damage to the cable coating.
- To prevent short circuits, never put or leave any metallic objects (e.g., coins or metal tools) inside the unit.
- If the unit starts to emit smoke or strange smells, turn off the power immediately and consult your Kenwood dealer.
- Make sure not to get your fingers caught between the faceplate and the unit.
- Be careful not to drop the unit or subject it to strong shock.  
The unit may break or crack because it contains glass parts.
- Do not touch the liquid crystal fluid if the LCD is damaged or broken due to shock. The liquid crystal fluid may be dangerous to your health or even fatal.  
If the liquid crystal fluid from the LCD contacts your body or clothing, wash it off with soap immediately.

### **▲CAUTION**

**To prevent damage to the machine, take the following precautions:**

- Make sure to ground the unit to a negative 12V DC power supply.
- Do not open the top or bottom covers of the unit.
- Do not install the unit in a spot exposed to direct sunlight or excessive heat or humidity. Also avoid places with too much dust or the possibility of water splashing.
- Do not subject the faceplate to excessive shock, as it is a piece of precision equipment.
- When replacing a fuse, only use a new one with the prescribed rating. Using a fuse with the wrong rating may cause your unit to malfunction.
- To prevent short circuits when replacing a fuse, first disconnect the wiring harness.
- Do not place any object between the faceplate and the unit.
- During installation, do not use any screws except for the ones provided. The use of improper screws might result in damage to the main unit.
- Do not apply excessive force to the moving faceplate. Doing so will cause damage or malfunction.
- Do not apply excessive force to the open faceplate or place objects on it. Doing so will cause damage or breakdown.

### **IMPORTANT INFORMATION**

**About the disc changer to be connected:**

To connect a disc changer having the "O-N" switch to this unit, set the "O-N" switch to "N".

When you connect a model with no "O-N" switch, the converter cord CA-DS100 available as an option may be required. For details, consult your Kenwood dealer. If a model with no "O-N" switch is connected, some unavailable functions and information that cannot be displayed are generated, such as the DNPS, DNPP, Magazine random play, and CD Text display. Note that none of the KDC-C100, KDC-C302, C205, C705, and non-Kenwood CD changers can be connected.

### **▲CAUTION**

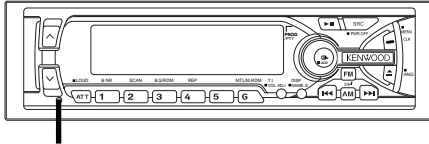
**You can damage both your unit and the CD changer if you connect them incorrectly.**

*Manufactured under license from Dolby Laboratories.  
"Dolby" and the double-D symbol are trademarks of Dolby Laboratories.*

## Safety precautions

### NOTE

- If you experience problems during installation, consult your Kenwood dealer.
- If the unit fails to operate properly, press the RESET button. The unit returns to factory settings when the RESET button is pressed. After you press the reset button, the Mask Key will be needed to restart the unit. If the unit still fails to operate properly after the RESET button has been pressed, contact your local KENWOOD dealer for assistance.



Reset button

- Press the reset button if the CD auto changer is first controlled and operates incorrectly. The original operating condition will return.
- Characters in the LCD may become difficult to read in temperatures below 41 °F (5 °C).

- The illustrations of the display and the panel appearing in this manual are examples used to explain more clearly how the controls are used. Therefore, what appears on the display in the illustrations may differ from what appears on the display on the actual equipment, and some of the illustrations on the display may represent something impossible in actual operation.
- The functions that can be used and the information that can be displayed will differ depending on the external disc players being connected.

### Mask key

If you have transmitted the Mask Key's signal once to the unit in advance, you will have to transmit it once again if the unit has been removed from the battery. This function helps prevent theft.

When using the unit for the first time:  
In order to deactivate the demonstration mode, be sure to press the transmit button to transmit the Mask Key's signal. If this procedure is not carried out, the control panel of the unit will re-open in two seconds even with your vehicle's ignition turned off.

### CAUTION

Do not lose the "Mask Key". If power is disconnected from the unit, correct operation can only be restored by the "Mask Key's" signal. The "Mask Key" will also be required for service repair.

### NOTE

If you send products in for repair that include a mask key, make sure to present the unit together with the mask key.

### ***Cleaning the Faceplate Terminals***

If the terminals on the unit or faceplate get dirty, wipe them with a dry, soft cloth.

### ***Cleaning the Unit***

If the faceplate of this unit is stained, wipe it with a dry soft cloth such as a silicon cloth. If the faceplate is stained badly, wipe the stain off with a cloth moistened with neutral cleaner, then wipe neutral detergent off.

#### **▲ CAUTION**

Applying spray cleaner directly to the unit may affect its mechanical parts. Wiping the faceplate with a hard cloth or using a volatile liquid such as thinner or alcohol may scratch the surface or erases characters.

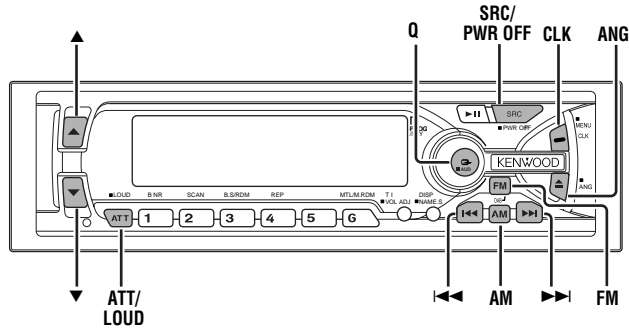
### ***Cleaning the Tape Head***

After you have used the tape player many times over a long period, magnetic powder from the tapes and dust accumulates on the tape head, causing noise and a deterioration in sound quality. Clean the tape head using a cleaning tape or cleaning kit designed for use in car audio systems.

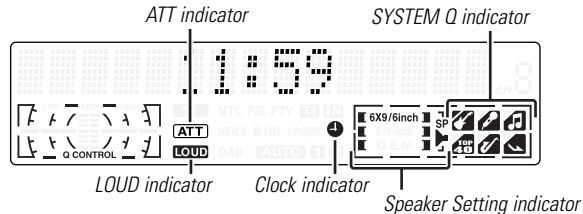
### ***Handling Cassette Tapes***

- Do not play a cassette whose tape has gone slack. In such a case, wind it tight using a pencil or the like in one of the spools. Playing slack cassette tapes can result in the tape tangling around the capstan and/or pinch rollers, causing trouble.
- Do not play a deformed cassette or one whose label is starting to come off, as it can cause the unit to malfunction.
- Do not leave tapes in hot places, such as above the fascia panel (dashboard) and other spots exposed to direct sunlight, or near heater outlets. They can deform the cassette.
- Avoid using extremely long cassette tapes, such as 100-minute-long tapes. Such tapes are very thin, and can tangle easily around the pinch rollers or other parts inside the unit, causing unit failure.
- Remove a cassette tape from the unit when not listening to it for a whilst. If you leave a tape in the unit too long, it may stick to the tape head and cause unit malfunction.

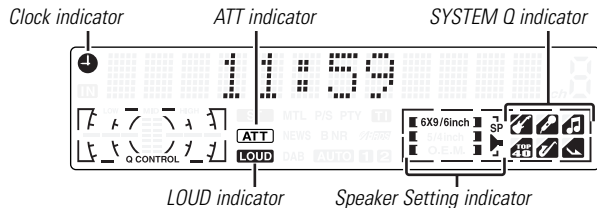
## General features



### KRC-V879R



### KRC-779R



## Power

You can help prevent theft of the unit by reversing the faceplate so that the control panel cannot be seen, hiding the unit, and shutting off the audio.

### Power ON/OFF:

When you turn your vehicle's ignition on, the unit's power will also turn on, with the faceplate reversing to show the control panel.

When you turn your vehicle's ignition off, the faceplate will reverse to hide the control panel after a period of time which you have set in the "Time setting for removing the faceplate" in the menu. The unit's power will turn off.

Alternatively, you can remove the faceplate during that period. For details, refer to the "Removing the faceplate" (page 10).

### NOTE

- After installation of your Mask unit, be sure to transmit the Mask Key's signal to deactivate the demonstration mode. If this procedure is not carried out, the control panel of the unit will re-open in two seconds even with your vehicle's ignition turned off.
- When the moving faceplate is hit by an object, it will stop and return to its original state. Remove the object and repeat the action.

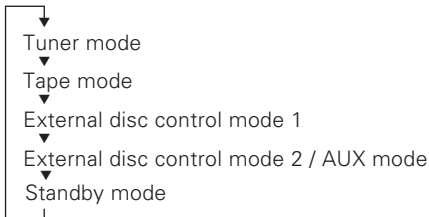
### CAUTION Using the Unit in Vehicles with Covered Consoles

- Make sure the console is uncovered whilst the faceplate is reversed.
- Do not exert any excess force on the movable parts of the unit, including the faceplate, as it can cause failure in the unit's mechanism.

## Switching Modes

### Switching Modes:

Each time you press the SRC button, the mode switches as follows:



### Selecting the standby mode:

Press the SRC button repeatedly to select to "ALL OFF". When "ALL OFF" is displayed, the standby mode is turned on. The standby mode turns all functions off although leaving the unit's power on. Use this mode when you want to have the display illuminated but do not want to listen to anything.

#### NOTE

- The mode switches to the next mode from any mode which cannot be used.
- The external disc control mode will differ depending on the unit that is connected.
- To enable the selection of External disc control mode 2/AUX mode, you should connect optional switching adapter KCA-S210A (which allows you to select both External disc control mode 2 and AUX mode) or CD changer (KDC-CPS87, KDC-CX87, KDC-CPS85, KDC-CX85, KDC-CPS82 or KDC-CX82) or switching adapter CA-C1AX (which allows you to select AUX mode only).  
During the AUX mode, "AUX" (or AUX-name display) will show in the display. When the CA-C1AX is being used, the AUX Mode will replace the External Disc Control Mode.
- If you have selected Standby mode, the timer function that turns the power off automatically will be activated.  
To find out how to set the time on the timer, and how to cancel the timer function, refer to the section on the Power OFF Timer function under Menu settings (page 36).

#### NOTE

#### Selecting AUX-name display

Holding down the DISP button for two seconds or more during the AUX mode, AUX-name display is blinked for AUX-name selection mode.

Pressing **◀◀** or **▶▶** button during this mode allows you to select "AUX", "TV", "VCP", "GAME" or "PORTABLE" in the AUX mode. The AUX-name selection mode can be exited by pressing the DISP button or doing nothing for 10 seconds.

## Volume

### Increasing Volume:

Press the **▲** button to turn up the volume.

### Decreasing Volume:

Press the **▼** button to turn down the volume.

## Attenuator

This function allows you to turn down the volume quickly.

### Turning Attenuator On/Off:

Press the ATT button to switch the attenuator on and off.

When the attenuator is on, the ATT indicator blinks.

When the attenuator is off, the volume returns to the original level.

#### NOTE

Turning the volume up, or turning it all the way down deactivates the attenuator function.

## General features

### Loudness

This function amplifies low and high tones when the volume is turned down.  
The LOUD indicator lights up, when the loudness function is on.

#### Turning Loudness On/Off:

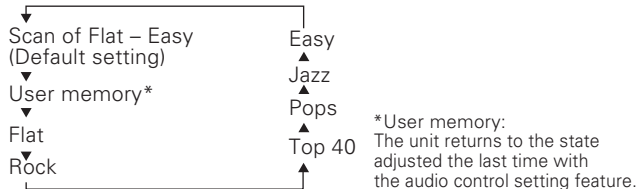
Hold down the LOUD button for one second or more to switch the loudness on and off.

### System Q

You can recall the best audio setting preset for different types of the music.

#### Switching the Preset Sound Setting:

Each time you press the Q button, the preset sound setting switches as follows:



As you proceed, each indicator would go on.

#### NOTE

The System Q function changes the values of the following sound quality parameters:  
Bass centre frequency, bass level, bass quality factor, bass extend, middle centre frequency, middle level, middle quality factor, treble centre frequency, and treble level.  
Their setting values are different depending on the setting of the speaker setting mode.

### Speaker Setting

This function allows you to adjust the setting that is recalled with the System Q, according to types of speakers.

- 1 Press the SRC button repeatedly to select the standby mode. "ALL OFF" is displayed when the standby mode is selected.
- 2 Press the Q button to enter the speaker setting mode.
- 3 Press either the ◀◀ or ▶▶ button to select the type of speaker. The setting switches as follows.  
Off ("SP OFF") / For 6/6x9 in. speaker ("SP 6\*9/6inch") / For 5/4 in. speaker ("SP 5/4inch") / For the OEM speaker ("SP O.E.M.")
- 4 Press the Q button to end the speaker setting mode.

#### NOTE

Speaker setting function allows for tuning of bass, middle and treble

### TEL Mute

Shut down the audio system temporarily whenever an incoming call is received.

#### NOTE

The function will not work if a cable is not connected to the car phone.

#### When the telephone rings:

When a call is received, "CALL" is displayed and all the unit functions are temporarily interrupted.

#### Restoring Original Unit Source During Phone Call:

Press the SRC button.  
"CALL" disappears from the display, and the volume of the original source is restored gradually.

#### Turning TEL Mute Function Off After Phone Call:

Hang the phone up.



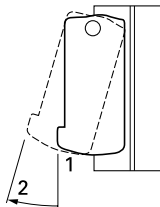
"CALL" disappears from the display.  
The original source (i.e., the one used before the phone call) is returned to automatically, and the volume restored gradually.

### Faceplate Angle Adjustment

You can adjust the faceplate angle for easy viewing.

#### Sliding the faceplate:

Hold down the ANG button for one second or more.



#### NOTE

- Do not apply excessive force to the faceplate under setting 2.
- The face plate angle cannot be adjusted during tape play.

### Forced Closing

This function prevents tampering with the unit your car is being serviced etc.

#### Hiding the unit with the ignition turned on (forced closing):

Hold down the SRC button for one second or more.  
The faceplate will slide open. When the period of time which you have set in the "Time setting for removing the faceplate" in the menu has passed, the faceplate automatically reverses to

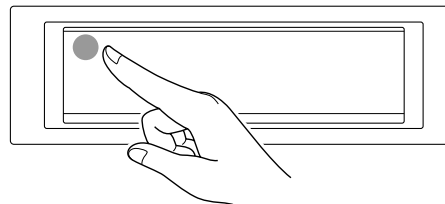
hide the control panel. However, you can remove the faceplate during that period. For details, refer to the "Removing the faceplate" (page 10).

#### NOTE

- When the closing faceplate is hit by an object, the unit will turn off without the faceplate closing all the way. Remove the object and press the SRC button to turn the unit back on, then turn it off again to make it close properly.
- Do not try to press the buttons on the control panel as the faceplate is moving, as excessive force may damage the unit.
- During the forced closing of the unit (i.e., having the unit left closed whilst ignition is turned on), the faceplate will not open no matter how often the ignition is turned on or off.  
You can prevent tampering of the unit when letting someone else drive your car by keeping it closed this way.

#### To cancel the forced closing of unit and open control panel:

Press the left part at the upper side of the faceplate.  
The faceplate will open and show the control panel.



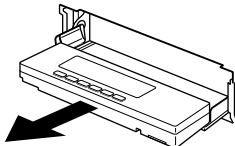
## General features

### Removing the Faceplate

The faceplate can be detached from the unit, helping to deter theft.

#### Removing the faceplate:

- 1 Choose the way from among the following and open the faceplate.  
Turn the ignition off, hold down the SRC button for one second or more when the control panel has been hidden.
- 2 Holding the centre part of the faceplate, pull it out during the period which you have set in the "Time setting for removing the faceplate" (page 34) in the menu.  
The faceplate bracket will automatically close.



#### CAUTION

- When removing the faceplate, pull it out only when it is fully open. The detachment of the faceplate whilst it is moving might result in damage to the unit.
- Do not apply excessive force to the faceplate bracket without attaching the faceplate. Doing so will cause the faceplate bracket to be deformed.
- Do not touch the connector on the faceplate bracket after removing the faceplate. Touching the connector may cause damage to the unit.

#### NOTE

- The faceplate is a precision piece of equipment and can be damaged by shocks or jolts. For that reason, keep the faceplate in its special storage case whilst detached.
- Do not expose the faceplate or its storage case to direct sunlight or excessive heat or humidity. Also avoid places with too much dust or the possibility of water splashing.

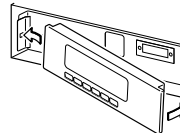
#### Reattaching the Faceplate:

- 1 Hold the faceplate so that the control panel faces the front toward you and set the left side of the faceplate in the faceplate bracket.

#### CAUTION

Do not set the right side of the faceplate in the faceplate bracket first, when reattaching the faceplate. Doing so may cause the connector on the faceplate bracket to malfunction.

- 2 Press the right side of the faceplate until it locks.



### Clock display

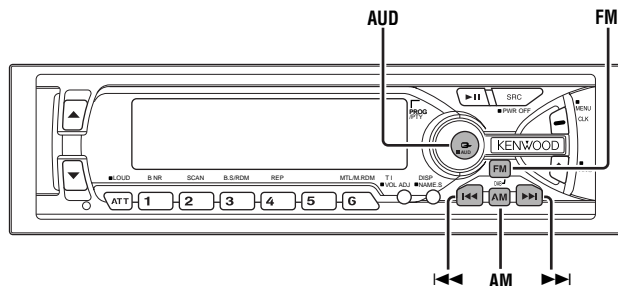
#### Changing the Clock Display:

Each time you press the CLK button, the display switches between the clock and each mode display.

#### NOTE

The clock indicator lights whilst the clock is displayed.

## Audio control features



### Audio Control Setting

Adjust various parameters of sound quality.

1 Hold down the AUD button for one second or more to enter the control mode.

#### 2 **Selecting mode**

Press either the FM or AM button.

Each time the button is pressed, the adjustment mode will change.

Please refer to the following for the contents of the adjustment modes.

#### **NOTE** Source tone memory

Each source (tape, CD, FM, AM, and disc changer) has its own memory in which to store the bass, middle, and treble tone settings.

The settings made for a particular source are then recalled automatically whenever you use that source (e.g., FM mode uses the tone settings made for FM, AM for AM, etc.).

#### 3 **Adjust each mode**

Press the **◀▶** button.

Please refer to the following for the adjusting values.

4 Press the AUD button to end the control mode.

#### **NOTE**

- Determining the parameters in the audio control setting will clear all the adjustments made in the System Q and they are replaced with the values made in the audio control setting.
- The following parameters can be set when the System Q function on the menu settings is ON.  
Bass centre frequency, bass quality factor, bass extend, middle centre frequency, middle quality factor, and treble centre frequency.

### KRC-V879R



### KRC-779R



## Audio control features

### Bass Centre Frequency

Adjust the centre frequency of the bass.

**Display and setting:**

"Bass FRQ"/"Bass F" : 60 / 70 / 80 / 100 (Only when the bass quality factor is set to 1.00, 1.25 or 1.50) / 150 (Only when the bass quality factor is set to 2.00) Hz.

### Bass Level

Adjust the bass level.

**Display and setting:**

"Bass" : - 8 - + 8

### Bass Quality Factor

Adjust the Bass quality factor.

**Display and setting:**

"Bass Q" : 1.00 / 1.25 / 1.50 / 2.00

### Bass Extend

Switch the Bass Extend mode on/off.

**Display and setting:**

"Bass EXT" : ON / OFF (When the bass extend mode is set to on, low frequency response is extended by 20%.)

### Middle Centre Frequency

Adjust the centre frequency of the middle.

**Display and setting:**

"MID FRQ"/"MID F" : 0.5 / 1.0 / 1.5 / 2.0 kHz.

### Middle Level

Adjust the middle level.

**Display and setting:**

"MID"/"Middle" : - 8 - + 8

### Middle Quality Factor

Adjust the middle quality factor.

**Display and setting:**

"Middle Q" : 1.0 / 2.0

### Treble Centre Frequency

Adjust the centre frequency of the treble.

**Display and setting:**

"TRE FRQ"/"TRE F" : 10.0 / 12.5 / 15.0 / 17.5 kHz

## Treble Level

Adjust the treble level.

### Display and setting:

"TRE"/"Treble" : - 8 - + 8

## Balance Level

Adjust the balance level.

### Display and setting:

"Balance" : Left 15 - Right 15

## Fader Level

Adjust the fader level.

### Display and setting:

"Fader" : Rear 15 - Front 15

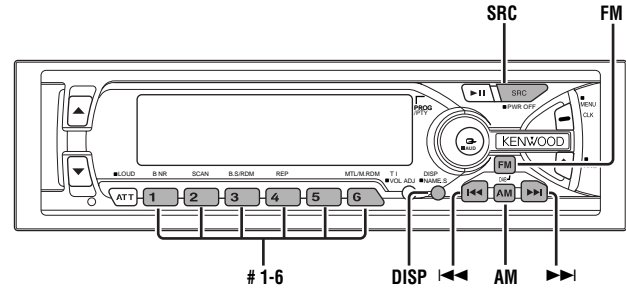
## Volume Offset

Set the sound level of the each source selected by adjusting the level difference between the basic sound level and the required level.

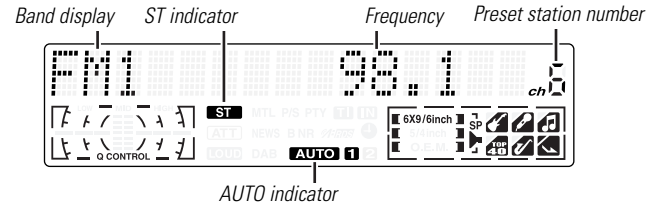
### Display and setting:

"VOL Offset"/"V Offset" : - 8 - ± 0

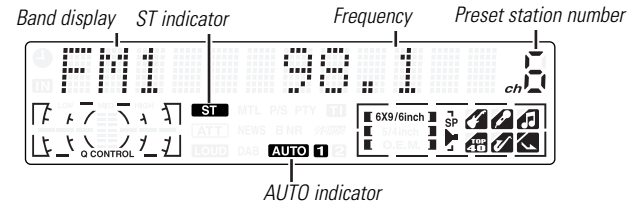
## Tuner features



## KRC-V879R



## KRC-779R



## Tuner features

### Tuning

- 1 Press the SRC button repeatedly until the tuner mode is obtained. "TUNER" is displayed only when the tuner mode is selected.
- 2 Press either the FM or AM button to select the band. Each time you press the FM button, the band switches between the FM1, FM2 and FM3. Press the AM button to select the MW and LW bands.
- 3
  - Auto Seek Tuning  
Press the ►► button to seek increasing frequencies. Press the ◀◀ button to seek decreasing frequencies.
  - Preset station seek tuning  
Press the ►► button to move to the next preset station (i.e., the one with the next highest number), and the ◀◀ button to move to the last preset station (i.e., the one with the next lowest number).

#### NOTE

If the frequencies stored at the preset numbers receive stations which were not originally memorized when travelling long distances, the preset number is not displayed. In such cases, pressing the ◀◀/►► button to use preset station seek will receive channel 1.

- Manual Tuning  
Press the ►► button to increase the frequency by one step. Press the ◀◀ button to decrease the frequency by one step.

#### NOTE

- The ST indicator lights up when stereo broadcasts are being received.
- Please see the menu settings about selecting tuning mode. (page 35)

### Direct Access Tuning *(Function of remote control)*

When you know the frequency of the station that you want to listen to, you can input it directly for quick access.

- 1 Select the band by pressing the FM or AM button.
- 2 Press the DIRECT button.  
"----" is displayed for 10 seconds.  
If you make no input in the 10-second period, direct access tuning is automatically cancelled.
- 3 Enter the frequency of the desired station.  
If you want to listen to an FM station at 92.1 MHz, for example, press 0, 9, 2, and 1.  
If you want to listen to an AM station at 810 kHz, for example, press 0, 8, 1, and 0.

#### NOTE

- You cannot enter frequencies above or below what a band can receive.
- FM frequencies can only be input in 0.1 MHz steps, and not 0.01MHz steps.

#### **Cancelling Direct Access Tuning:**

Press the DIRECT button again.

### Station Preset Memory

Store the frequency of the station currently being listened to. You can then recall that station with a single touch of a button.

- 1 Select the band/station that you want to have stored.
- 2 Hold down the button (#1-6) that you want to use for the station, for two seconds or more.  
The button number blinks once in the display to indicate that the data has been stored.

#### **Recalling a Preset Station:**

Press the preset station button (#1-6) for the desired station. The number of the recalled station is displayed.

#### NOTE

You can store 6 stations in each of the FM1, FM2, FM3, and AM (MW and LW) bands.

## Switching Display for Tuner

You can change the display used when listening to the radio.

### Switching the Display:

Each time you press the DISP button, the display changes as follows:

- Programme Service name (only during RDS station reception)/ Station frequency
- Radio text (only during RDS station reception)

### Displaying Frequencies during programme service name display:

Hold down the DISP button for one second or more. The frequency for the RDS station will be displayed for five seconds instead of the station name.

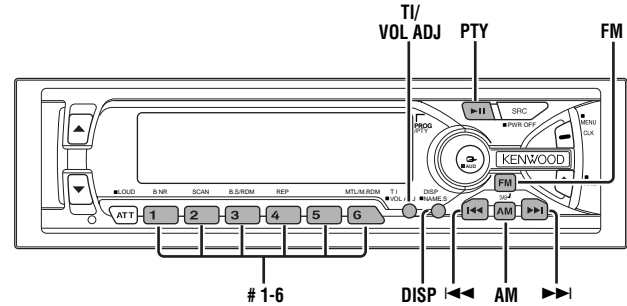
#### NOTE

If the RDS station currently tuned to is transmitting no text whilst the Radio Text Display mode is turned on, "NO TEXT" will appear in the display. Whilst awaiting reception, "Waiting" will be displayed.

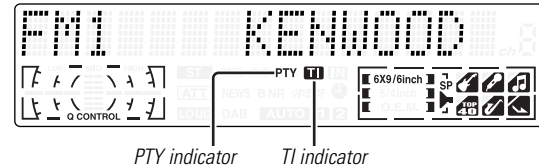
#### WARNING

To prevent accidents, drivers should not look at the display whilst driving.

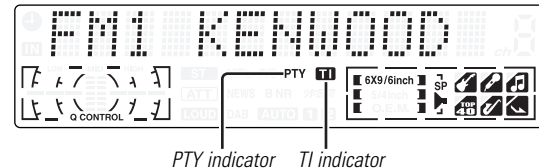
## RDS features



### KRC-V879R



### KRC-779R



## RDS features

### RDS (Radio Data System)

RDS is a digital information system that lets you receive signals besides those of regular radio programmes, such as network information being transmitted from radio stations. When listening to an RDS station (ie, a station with RDS capability), the programme service name of the station is displayed along with the frequency, advising you quickly which station is being received.

RDS (Radio Data System) stations also transmit frequency data for the same station. When you are making long trips, this function automatically switches to the particular frequency with the best reception for the particular network of stations that you want to listen to. The data is automatically stored, allowing you to switch quickly to another RDS stations, broadcasting the same programme, that has better reception. These include stations stored in the station preset memory that you often listen to.

### Enhanced Other Network

Stations that offer <Enhanced Other Network> also transmit information about other RDS stations that have traffic information. When you are tuned to a station that is not transmitting traffic information, but another RDS station starts transmitting a traffic bulletin, the tuner automatically switches to the other station for the duration of the bulletin.

### Alarm

When an emergency transmission (announcing disasters, etc.) is sent, all current functions are interrupted to allow the warning to be received.

### Traffic Information Function

You can listen to traffic information. If you are listening to tapes or discs, they will continue playing until a traffic bulletin is broadcast.

#### Turning TI function On/Off:

Press the TI button to turn the function on and off.

When the function is on, the TI indicator is turned on.

When none is being received, the TI indicator will blink on and off. When a traffic information station is being received, the TI indicator will turn on.

When a traffic bulletin begins to be broadcast, "Traffic Info" will be displayed, and reception will begin at the preset volume.

If you are listening to a tape or disc when a traffic bulletin begins, they will automatically be turned off. When the bulletin ends or poor reception is experienced, the tape or disc will begin playing again.

#### NOTE

Pressing the TI button whilst in the MW/LW band automatically switches reception to the FM band. However, the MW/LW band is not returned to when the TI button is pressed again.

#### Switching to a Different Traffic Information Station:

Use the ◀◀ / ▶▶ buttons to make an auto seek of the TI stations in a certain band.

#### NOTE

- When you are listening to a tape or disc, you cannot change to another TI station.
- When the auto TP seek function is turned on and reception starts to weaken, the tuner automatically seeks traffic information stations with better reception.
- If you are tuned to a station that is not a traffic information station itself but which provides <Enhanced Other Network> services, you can still have traffic information received.
- Holding down the TI button for one second or more when the TI function is on in the tape or disc mode results in a change to the frequency display of the traffic information station for five seconds.



## Presetting Volume for Traffic Information/News

Preset the volume level to be used for traffic information and news broadcasts.

- 1 Tune into the station for which you want to set the volume.
- 2 Adjust the volume to the desired level.
- 3 Hold down the VOL ADJ button for two seconds or more. The volume level blinks once in the display to indicate that the data has been stored. Future traffic information/news broadcasts are heard at the preset level.

### NOTE

- The volume cannot be lowered by this function during tuner reception. The volume is only set when it is louder than the listening volume of the tuner.
- You can arrange only to listen to traffic information or news bulletins with at preset volume with the volume set at minimum.

### NOTE

Please see the menu settings (page 36) about switching between manual scrolling and automatic scrolling.

## Radio Text Scroll

This function permits the text to be scrolled and the entire text to be displayed. The scrolling method differs depending on the setting of scrolling in the menu.

### **To scroll manually:**

- 1 Press the DISP button to display the Radio Text.
- 2 Holding down the DISP button for one second or more results in one scrolling display of the text.

### **To scroll automatically:**

- 1 Press the DISP button to display the Radio Text. The text will be displayed in one scrolling display.
- 2 Holding down the DISP button for one second or more results in one scrolling display of the text.

## RDS features

### Programme Type (PTY) Function

Conduct auto seek tuning only on those stations with selected kinds of programmes.

#### 1 Press the PTY button.

"PTY" is displayed, and the Programme Type Selection (PTY) Mode entered.

If you make no key input in 30 seconds, the mode will automatically turn off.

#### NOTE

You cannot use this function whilst the traffic bulletin is received.

#### 2 Select the type of programme to be received

- Press either the FM or AM button repeatedly until the type of programme you want to listen to.

The selection includes:

<i>Speech</i>	( <i>Speech</i> )
<i>Music</i>	( <i>Music</i> )
1. News	(News)
2. Current Affairs	(Affairs)
3. Information	(Info)
4. Sports	(Sport)
5. Education	(Educate)
6. Drama	(Drama)
7. Culture	(Culture)
8. Science	(Science)
9. Varied	(Varied)
10. Pop Music	(Pop M)
11. Rock Music	(Rock M)
12. Easy Listening Music	(Easy M)
13. Light Classical	(Light M)
14. Serious Classical	(Classics)
15. Other Music	(Other M)
16. Weather	(Weather)
17. Finance	(Finance)
18. Children's programmes	(Children)
19. Social Affairs	(Social)
20. Religion	(Religion)
21. Phone In	(Phone In)
22. Travel	(Travel)
23. Leisure	(Leisure)

24. Jazz Music	(Jazz)
25. Country Music	(Country)
26. National Music	(Nation M)
27. Oldies Music	(Oldies)
28. Folk Music	(Folk M)
29. Documentary	(Document)
(Speech.....1~9,16~23, 29, Music.....10~15, 24~28)	

- You can select the type of programme directly by pressing a preset button. The buttons are factory-set to the following type of programmes:

1. <i>Music</i>	2. <i>Speech</i>	3. News
4. Other Music	5. Serious Classical	6. Varied

#### NOTE

Changing the Preset Button Settings for Programme Type  
After selecting the type of programme to be stored in a certain preset button, hold down that button for two seconds or more. The previously stored data for that button are erased and the new programme type is stored.

#### 3 Seeking the selected programme type

Press the ◀◀ or ▶▶ button to make a seek of frequencies with your selected type of programme.  
The display blinks and the seek starts.

If your selected type of programme is found, the name of the station is displayed and the station is tuned into.

"PTY Found" is displayed for about 30 seconds.

If you make no key input in 30 seconds, the PTY selection mode will turn off automatically.

#### NOTE

If no programme can be found, "NO PTY" is displayed.  
If you want to select another type of programme, repeat steps 2 and 3 above.

#### Switching to Other Stations with the Same Type of Programme:

When "PTY Found" is displayed, perform auto seek tuning.  
The tuner scans for another station with the same type of programme.

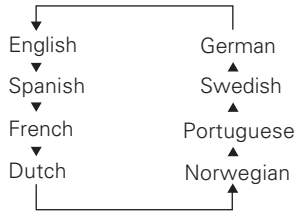
#### Cancelling Programme Type Function During Its Operation:

Press the PTY button.

## Changing Language for Programme Type(PTY) Function

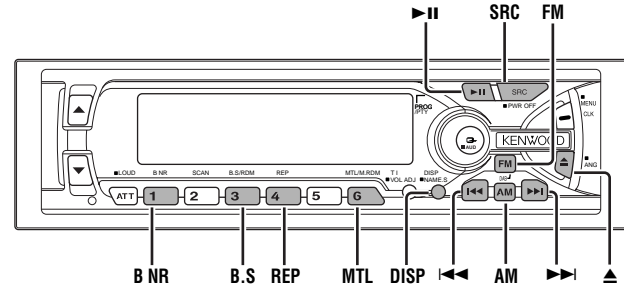
Changing the display language to another language.

- 1 Press the PTY button.  
"PTY" is displayed, and the Programme Type Selection (PTY) Mode entered.
- 2 **Enter the Changing Language Mode**  
Press the DISP button to enter the changing language mode.
- 3 **Changing the Display Language**  
Press the FM or AM button.  
Each time the button is pressed, the display language will change as follows:

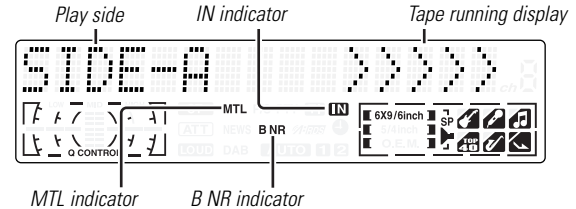


- 4 Press the DISP button to end the changing language mode.

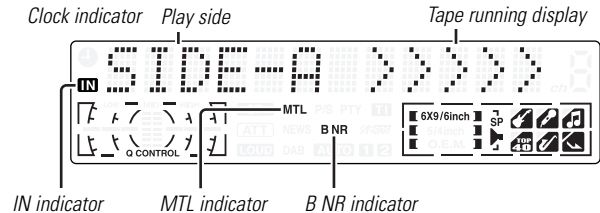
## Cassette player features



### KRC-V879R



### KRC-779R



## Cassette player features

### Playing Cassette Tapes

#### Loading and Playing Cassettes:

Press the ▲(EJECT) button to slide open the faceplate, showing the cassette (insertion) slot. Holding the cassette with the tape exposed to the right, insert it in the slot. The faceplate will close, and the tape will start playing. The IN indicator lights up when a cassette has been loaded.

#### Playing Cassettes Already Loaded:

Press the SRC button repeatedly until the tape mode is obtained. "TAPE" is displayed when the tape mode has been selected. The tape will start playing.

#### Listening to the other side:

Press the ►|| button.  
Tape play switches to the other side.

#### Eject:

Press the ▲(EJECT) button to stop tape play. The faceplate will slide to eject the tape.  
Press the ▲(EJECT) button to close the faceplate.

#### CAUTION

When the faceplate has been slid open, it might interfere with the gear lever or something else. If this happens, pay attention to safety and move the gear lever or take an appropriate action, then operate the unit.

#### NOTE

- The sound will be temporarily muted whilst the faceplate is moving.
- Remove a cassette from the unit when not listening to it for a whilst. If you leave it in the unit too long, the tape may stick to the tape head and cause the unit to malfunction.

### Fast Forwarding and Rewinding Cassette Tapes

#### Fast Forwarding Tapes:

Press the FM button.

#### Rewinding Tapes:

Press the AM button.

#### Cancelling:

Press the ►|| button.  
Normal tape play returns.

### Using Dolby B Noise Reduction

Listen to tapes recorded using the Dolby B NR system.

#### Turning Dolby NR On/Off:

Press the B NR button to switch Dolby B NR on and off. The B NR indicator lights up when Dolby B NR is turned on.

### Switching Tape Types

Select type of tape being played.

#### Switching Tape Types:

Press the MTL button to switch the MTL indicator on and off and to select the tape type.  
Turn the MTL indicator off for normal tape (Type I) playback.  
Turn the MTL indicator on for the following tape types:  
CrO<sub>2</sub> (Type II) FeCr (Type III) Metal (Type IV)  
Selecting the wrong tape type may cause sound quality to suffer.

## Using DPSS (Direct Programme Search System)

Skip forwards or backwards to other tracks during playback.

### **Skipping to Beginning of Current Track or to Previous Tracks (Rewind DPSS):**

Press the **I◀◀** button.

Press once to rewind to the beginning of the current track, twice to rewind to the beginning of the previous track, and so forth.

You can skip up to 9 tracks this way.

Playback is continued after the tape is rewound by the indicated number of tracks.

### **Skipping to Later Tracks (Fast Forward DPSS):**

Press the **▶▶I** button.

Press once to fast forward to the next one track, twice to fast forward to the track after that, and so forth.

Up to 9 tracks can be skipped.

Playback is continued after the tape is fast forwarded by the indicated number of tracks.

#### **NOTE**

- During the first 5 seconds of each track, the previous track is considered the "current" track (i.e., the "0" track). If you press the **I◀◀** button during that period, the tape rewinds to the beginning of the previous track and not the one you are listening to.
- The DPSS function "knows" where a track begins by detecting the blank space preceding it (i.e., the space between tracks). However, when the blank space lasts for less than 4 seconds or contains noise, DPSS may not operate correctly. Furthermore, quiet intervals within a song are detected as "blank spaces" if they last for 4 seconds or more.

### **Cancelling DPSS During Its Operation:**

Press the **▶II** button.

## Using DPSS with Remote Control

Make direct input of the number of tracks to be skipped during playback.

- 1 Enter the number of tracks you want to skip using the numeric buttons on the remote control. Up to 9 tracks can be skipped.
- 2 Press either the **I◀◀** or **▶▶I** button whilst the number is blinking, depending on whether you want to skip backwards or forwards. Playback starts after the tape rewinds or fast forwards by the specified number of tracks.

#### **NOTE**

- During the first 5 seconds of each track, the previous track is considered the "current" track (i.e., the "0" track). If you press the **I◀◀** button during that period, the tape rewinds to the beginning of the previous track and not the one you are listening to.
- The DPSS function "knows" where a track begins by detecting the blank space preceding it (i.e., the space between tracks). However, when the blank space lasts for less than 4 seconds or contains noise, this function may not operate correctly. Furthermore, sections that are recorded at low levels may trigger the function if they last for 4 seconds or more.

### **Cancelling DPSS During Its Operation:**

Press the **▶II** button.

## Cassette player features

### Blank Skip

Automatically fast forwards to the beginning of the next track when long blank spaces (10 seconds or more) are detected, continuing tape playback. This function is on, when unit is first powered on.

#### Turning Blank Skip Function On/Off:

Press the B.S button to switch the blank skip function on and off.

"Blank Skip ON"/"B.Skip ON" is displayed when the blank skip function is turned on.

#### NOTE

- If the blank space contains hiss noise, the blank skip function may not work correctly.
- Sections recorded at low levels may trigger the blank skip function if they last for 10 seconds or more.

### Music Repeat

Repeatedly plays the current track.

#### Turning Music Repeat Function On/Off:

Press the REP button to switch the music repeat function on and off.

"Repeat ON" is displayed when music repeat is turned on.

#### Cancelling Music Repeat Function:

Press either the REP or ►|| button.

#### NOTE

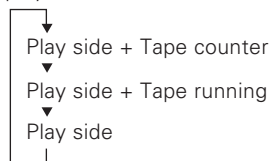
The music repeat function "knows" where a track begins by detecting the blank space preceding it (i.e., the space between tracks). However, when the blank space lasts for less than 4 seconds or contains noise, this function may not operate correctly. Furthermore, sections recorded at low levels may trigger the function if they last for 4 seconds or more.

### Switching Display for Cassette Tapes

Switch the display that appears whilst tapes are playing.

#### Switching the Tape display:

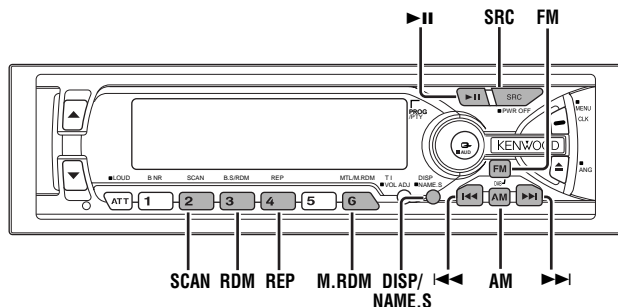
Each time you press the DISP button, the display during tape play switches as follows:



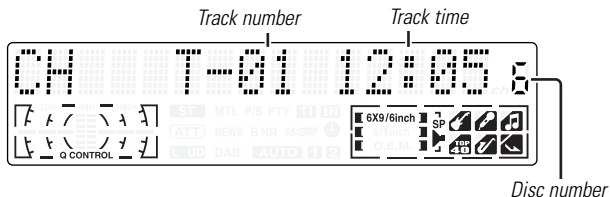
#### NOTE

The tape counter is not exact, but only represents an approximation of the elapsed time.

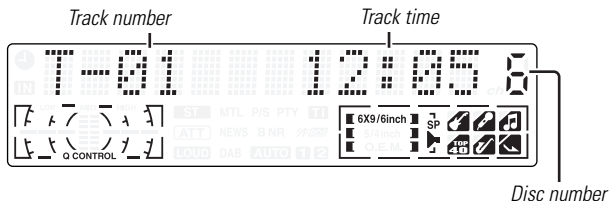
## External disc control features



KRC-V879R



KRC-779R



### Playing Disc mode

This function permits the connection of optional players and the playing of discs.

#### Playing Discs:

Press the SRC button repeatedly to select the external disc control mode.

The disc will start playing.

#### NOTE

The external disc control mode will differ, depending on the unit that is connected.

Mode Display Examples

- "CD" ...when a CD player is connected
- "DISC" ...when a disc changer is connected
- "DISC1", "DISC2" ...when two disc changers are connected

#### Pausing and Restarting Disc Play:

Press the ►|| button to make the disc pause.

Press the same button again to start play again.

#### NOTE

- When one disc has finished playing its last track, the next disc in the changer starts playing. When the last disc in the changer has finished, the player returns to the first disc and starts playing it.
- Disc #10 is displayed as "0".

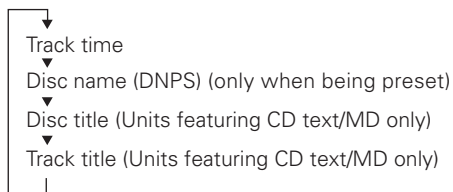
## External disc control features

### Switching Display for Discs

Switch the display that appears whilst discs are playing.

#### Switching Display for Discs:

Each time you press the DISP button, the display during disc play switches as follows:



#### NOTE

- You can give names to discs through the presetting disc name function (page 28).  
Note that depending on the unit, display may not be possible.
- If you try to display the name of a disc that does not have one, "NO NAME" is displayed instead.
- When there is an attempt to display the title of a disc for which the disc title/track title has not been recorded, "NO TEXT" is displayed for CD and "NO TITLE/NO NAME" is displayed for MD.
- If you attempt to display disc title/track title when connecting the CD changer not supported for CD text feature, caution messages such as "NO TEXT" or "Reading" may be displayed.
- Depending on the type of characters of the CD Text, some characters may not be displayable.

### Fast Forwarding and Reversing Disc Play

#### Fast Forwarding Disc Play:

Hold down on the ►► button.

Release your finger to play the disc at that point.

#### Reversing Disc Play:

Hold down on the ◀◀ button.

Release your finger to play the disc at the point.

#### NOTE

You cannot use reverse play between tracks depending on the model being connected. Instead, the reverse play function is cancelled when it reaches the beginning of a track, at which point normal play automatically resumes.

### Track Search

Search forwards or backwards through the tracks on the disc until you reach the one that you want to listen to.

#### Making a Reverse Track Search:

Press the ◀◀ button to display the desired track number.

Press once to search back to the beginning of the current track, twice to search back to the beginning of the previous track, and so forth.

Play starts at the beginning of the displayed track number.

#### NOTE

Pressing the ◀◀ button whilst listening to track 1 only searches back to the beginning of that track. The reverse search is not "recycled" to the last track on the disc.

#### Making a Forward Track Search:

Press the ►► button to display the desired track number.

Press once to fast forward to the next track, twice to fast forward to the track after that, and so forth.

Play starts at the beginning of the displayed track number.

#### NOTE

You cannot make a forward track search when listening to the last track on a disc.



## Disc Search

Search forwards or backwards through the discs in a disc changer until you reach the one that you want to listen to.

### **Making a Reverse Disc Search:**

Press the AM button to display the desired disc number.

Each time the button is pressed, the displayed disc number decreases by one.

Play starts at the beginning of the displayed disc.

### **Making a Forward Disc Search:**

Press the FM button to display the desired disc number.

Each time the button is pressed, the displayed disc number increases by one.

Play starts at the beginning of the displayed disc.

#### **NOTE**

"Load" is displayed when discs are being exchanged on the disc changer.

## Direct Track Search

*(Function of remote control)*

Using the remote control, make direct input of the track number that you want to listen to.

- 1 Using the numeric buttons on the remote control, enter the number of the track that you want to listen to.  
The selected track number blinks in the display for 10 seconds.  
If you make no further input in the 10-second period, the number entry mode will automatically be cancelled.
- 2 Press either the ◀◀ or ▶▶ button whilst the track number is blinking.  
The track specified in step 1 starts playing.

### **Cancelling Direct Track Search During Its Operation:**

Press the ▶|| button.

#### **NOTE**

You cannot use the direct track search function whilst during random or magazine-random play.

## Direct Disc Search

*(Function of disc changers with remote control)*

Using the remote control, make direct input of the disc number that you want to listen to.

- 1 Using the numeric buttons on the remote control, enter the number of the disc that you want to listen to.  
The selected disc number blinks in the display for 10 seconds.  
If you make no further input in the 10-second period, the number entry mode will automatically be cancelled.

#### **NOTE**

- Input "0" to select disc #10.
  - If you enter more than two numbers all at once, a search will be made only of the last number entered.
  - You cannot use the direct disc search function during random play or magazine random play.
- 2 Press either the DISC+ or DISC- button whilst the number inputted is blinking.  
The disc specified in step 1 starts playing.

### **Cancelling Direct Disc Search During Its Operation:**

Press the ▶|| button.

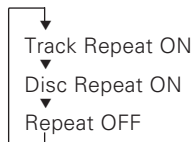
## External disc control features

### Track / Disc Repeat

Repeat playing the current track or disc.

#### Turning Repeat Play Function On/Off:

Press the REP button to switch the repeat play function on and off as follows :



"Repeat ON"/"Track Repeat ON"/"T-Repeat ON" is displayed and the track number blinks in the display when track repeat is on.  
 "Disc Repeat ON"/"D-Repeat ON" is displayed and the disc number blinks in the display when disc repeat is on.

#### NOTE

Repeat play is cancelled when you eject the disc.

### Track Scan

Successively play the beginning of each track on a disc until you find the track that you want to listen to.

#### Starting the Track Scan:

Press the SCAN button. "Scan ON" is displayed and the first 10 seconds of each track are played, and the tracks are played in order.

The track number currently being heard blinks in the display.

#### Stopping to Listen to the Track Being Scanned:

Press the ►|| or SCAN button again to stop the scan and keep on listening to a track normally.

#### NOTE

- The track scan function is cancelled when you eject the disc.
- The track scan function only scans each track on a disc once.

### Random Play

Play all the tracks on the current disc in random order.

- 1 Press the RDM button to switch the random play function on and off.

"Random ON" is displayed when random play is turned on.

The display of the track number changes continuously as the next track is being selected.

When the track has been selected, play starts.

The selected track number blinks in the display as it is being played.

#### NOTE

When all the tracks on a certain disc have been played using the random play function, the next disc on the changer starts playing (with the random play function still turned on).

- 2 To change the track being heard, press the ►►| button. Another track is selected and played.

#### NOTE

Random play is cancelled when you eject the disc.

### Magazine Random Play

Play the tracks on all the discs in the disc changer in random order.

- 1 Press the M.RDM button to switch the magazine random play function on and off.

"M.Random ON" is displayed when magazine random play is turned on.

The display of the disc and track numbers change continuously as the next track is being selected.

When the disc/track has been selected, play starts.

The selected disc/track number blinks in the display as it is being played.

- 2 To change the track being heard, press the ►► button. Another disc/track is selected and played.

**NOTE**

- Magazine random play is cancelled when you eject the disc.
- The time needed for random selection depends on the number of discs loaded in the disc magazine.

### **Text / Title Scroll**

This function permits the text to be scrolled and the entire text to be displayed. The scrolling method differs depending on the setting of scrolling in the menu.

**To scroll manually:**

- 1 Press the DISP button to display the disc title or the track title.
- 2 Holding down the DISP button for one second or more results in one scrolling display of the titles.

**To scroll automatically:**

- 1 Press the DISP button to display the disc title or the track title. The titles will be displayed in one scrolling display.

**NOTE**

When the disc or track to be played changes, the title is displayed in one scrolling display.

- 2 Holding down the DISP button for one second or more results in one scrolling display of the titles.

**NOTE**

- Please see the menu settings (page 36) about switching between manual scrolling and automatic scrolling.
- You cannot use the text scroll function during magazine random play.

## External disc control features

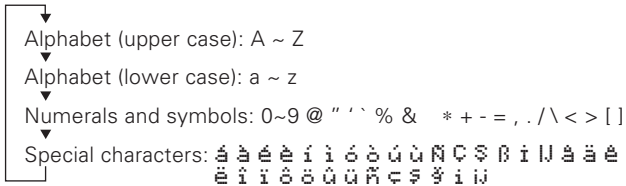
### Presetting Disc Names (DNPS)

Store the names of discs to be displayed when played.

- 1 Play the disc whose name you want to preset.

#### NOTE

- This function is not available for disc changers that do not feature the Disc Name Preset function.
  - The Disc Name Preset function cannot be used during the Magazine random play as well as whilst a disc title or track title is displayed.
- 2 Hold down the NAME.S button for two seconds or more. "NAME SET" is displayed and the disc name preset mode is entered. The cursor blinks in the position where character input can be made.
  - 3 Press either the ◀◀ or ▶▶ button to move the cursor to the desired position. The ◀◀ button moves the cursor to the left, and the ▶▶ button to the right. You can also move the cursor left or right by pressing the ◀◀ or ▶▶ buttons, respectively, on the remote control.
  - 4 Each time the ▶▶ button is pressed, the characters to be entered change as listed below. Press the FM or AM button to display the desired character. Characters that can be displayed are as follows.



#### NOTE

Direct Alphabet Input  
(Function of remote control with number/letter entry buttons)

If the disc changers that were manufactured and sold after 1997 (except for KDC-C560) are connected, you can directly input letters using the number/letter entry buttons on the remote control.

Example: Use the following table to enter the name "DANCE".

Character	Button to press	# Times pressed
"D"	#3	1
"A"	#2	1
"N"	#6	2
"C"	#2	3
"E"	#3	2

- 5 Continue steps 3 and 4 until all the characters are chosen for the name.
- 6 Press either the NAME.S button on the main unit or the OK button on the remote control. The disc name is stored and the disc name preset mode is cancelled. If you make no entry in a 10-second period, the name will be stored with the characters input so far.

#### NOTE

- The number of characters and discs whose names can be stored will differ depending on the disc changer that is connected. Please see your disc changer manual for details.
- Discs are identified by their total length and number of tracks. If another disc happens to have the same specifications as one that you have already stored a name for, the name will be displayed for it, too.
- If you want to change the name of a disc, repeat steps 1 and 2 to display the name, and then repeat steps 3 and 4 to input the changes.
- Pressing the reset button does not erase the disc names stored in a disc changer.

## Disc Name Preset Play (DNPP)

*(Function of Remote Control)*

If you have preset the name of a disc that you want to listen to in the disc changer, you can look for it by name and start playing it.

- 1 Press the DNPP button on the remote control.  
"DNPP" will appear in the display, and the disc name preset play mode is entered.  
The preset names/disc titles of the disc in the disc changer to which you are currently listening are successively displayed for five seconds each.  
In any of the units that are connected, discs that have not been disc name preset will display "NO NAME" .

### NOTE

- This function can only be used in disc changers that were manufactured or sold as of 1997. Also note that some units cannot provide a display unless the disc name preset has been made by the unit that is playing.
- Discs in the disc changer that have never been played before will appear as "NO ACCESS" when the disc names are displayed. When you cannot identify a disc because of the "NO ACCESS" display after inserting a disc magazine, try playing it to display the disc name.  
Also note that "NO DISC" will be displayed when a disc has not been loaded.

### **Rapid display (forward / reverse):**

Press the DISC+ or DISC- button.  
Pressing the DISC+ button will rapidly display the preset names/disc titles in order.  
Pressing the DISC- button will rapidly display the preset names/disc titles in reverse order.

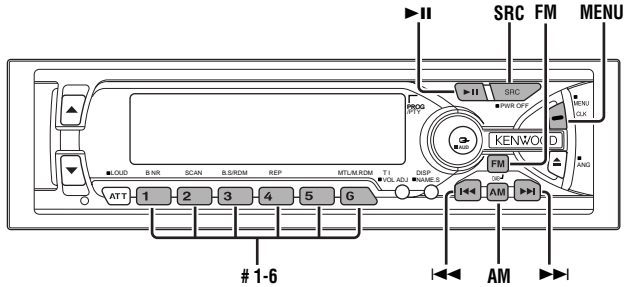
### **2 When the name appears for the disc you want to play**

Press the OK button.  
The disc whose name is displayed will be recalled, and the disc name preset play (DNPP) mode will end.

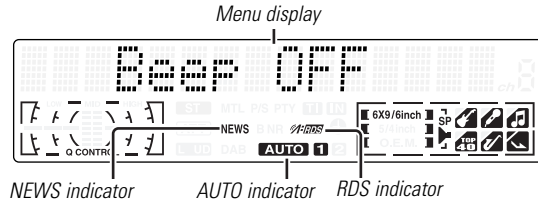
### **To cancel DNPP mode:**

Press the DNPP button.

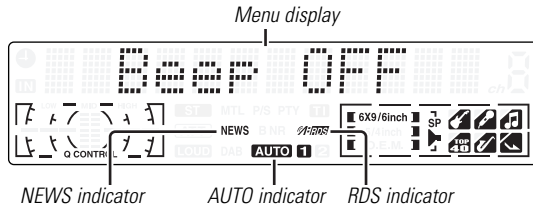
## Menu settings



### KRC-V879R



### KRC-779R



## Menu System

You can set the defaults for additional functions in the menu mode. Make a setting for each function, referring to the following operations.

### 1 Enter the menu mode

Hold down the MENU button for one second or more. "MENU" is displayed when the menu mode is entered.

The function that you can adjust is indicated with the current settings displayed.

### 2 Selecting function to set

Press the FM button to search through the functions until you see the one you want to adjust in the display.

Press the AM button to search through the functions backward.

Function items change in the order of features that follow in the menu system.

Example: If you want to switch the setting of the touch sensor tone function from on to off, first search through the functions until you see "Beep ON" in the display.

### 3 Changing setting for currently displayed function

Press either the ◀◀ or ▶▶ button.

The setting will change for each function.

Example: The setting of the touch sensor tone will switch from on to off, and "Beep OFF" is displayed.

### 4 Ending the menu mode

Press the MENU button.

#### NOTE

Make sure to end the menu mode when finished.

If you fail to end the menu mode, several functions may not operate properly, including the Traffic Information function, the News Bulletin function with PTY news timeout setting, and the Alarm function.

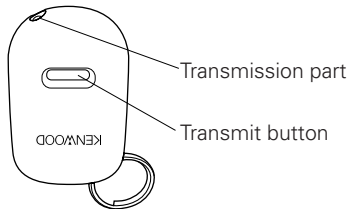
## Mask Key

If you have transmitted the Mask Key's signal once to the unit in advance, you will have to transmit it once again if the unit has been removed from the battery. This function helps prevent theft.

### When using the unit for the first time:

In order to deactivate the demonstration mode, be sure to press the transmit button to transmit the Mask Key's signal. If this procedure is not carried out, the control panel of the unit will re-open in two seconds even with your vehicle's ignition turned off.

- 1 Press the SRC button repeatedly to select the standby mode. "ALL OFF" is displayed when the standby mode is selected.
- 2 Hold down the MENU button for one second or more. "MENU" is displayed first and then "Mask key" is displayed.
- 3 Hold down either the ◀◀ or ▶▶ button for one second or more. "TRANSMIT 1" will appear in the display, indicating the setting mode has been entered.
- 4 Hold down the transmit button on the Mask key until the full transmit level indicator lights up in the display. "TRANSMIT 2" will be displayed.



### NOTE

- Keep the Mask Key close to the signal sensor when you transmit the Mask Key's signal.
- If the Mask Key's signal does not be received correctly, the display will return to "TRANSMIT 1". In this case, repeat the

procedure in step 4.

- 5 Hold down the transmit button on the Mask key again until the full transmit level indicator lights up in the display. "APPROVED" will appear in the display, with the Mask key function turning on.

### If you press the RESET button or remove the battery:

The first time you turn the unit on again, "TRANSMIT 1" will appear in the display, indicating the setting mode has been entered. Repeat steps 4 and 5 above, and transmit the signal. You can start operating the unit again when "APPROVED" appears in the display.

## Touch Sensor Tone

This function produces a beep sound that accompanies button operation. It can be switched on or off.

### Display and setting:

"Beep ON" : Beep setting is on. (Default setting)

"Beep OFF" : Beep setting is off.

### NOTE

The beep sound is not output from the preout jacks.

## Menu settings

### Manual Time Adjustment

Adjust the time manually.

#### NOTE

This adjustment is available only when the automatic time adjustment is set to off. (page 32)

#### Display and setting:

- 1 Select the display "Clock Adjust" during the selecting function in the menu system.
- 2 Hold down either the **I◀◀** or **▶▶I** button for one second or more to enter the Manual time adjustment mode. The time display will blink.
- 3
  - Adjusting the hours  
Press the FM button to advance the hours, or press the AM button to make the hours go back.
  - Adjusting the minutes  
Press the **▶▶I** button to advance the minutes, or press the **I◀◀** button to make the minutes go back.
- 4 Press the MENU button to end the Manual Time Adjustment mode.  
Exiting the Manual Time Adjustment mode would start the clock counting.

### Automatic Time Adjustment

With automatic time adjustment, you can set the clock time automatically according to time data sent from RDS stations (after receiving RDS signals for several minutes). You can also set the time manually if the automatic time adjustment function is turned off.

#### Display and setting:

"SYNC ON" : Automatic time adjustment (Default setting)  
"SYNC OFF" : Manual time adjustment

#### Adjusting Time Automatically:

Tune into an RDS station for 3 or 4 minutes.

The time adjusts automatically to the correct local time.

#### NOTE

The time is not adjusted when the RDS station you are tuned to is not transmitting a time signal. Choose another RDS station in such a case.

### Selectable Illumination

You can switch the colour of the button illumination between green and red.

#### Display and setting:

"Button Green"  
: The colour of the illumination is green.  
"Button Red" : The colour of the illumination is red.

### Switching Graphic Display

This function allows you to turn off the lower part of the display if there is too much information in the display.

#### Display and setting:

"Graphic ON" : The display will turn on by using the whole part of the display. (Default setting)  
"Graphic OFF" : The display will turn on by using only the upper part of the display and the IN indicator.



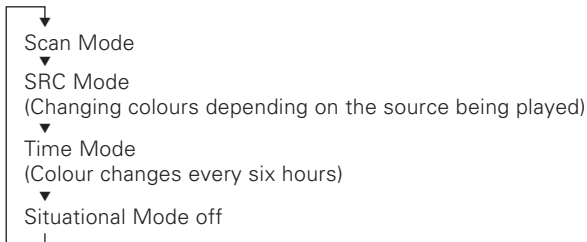
## Variable Illumination Colour Setting

You can set the display to a desired colour.

### Display and setting:

- 1 Select the display "Color" during the selecting function in the menu mode.
- 2 **To set a colour manually:**  
Hold down on the ◀◀ or ▶▶ button.  
Pressing the ▶▶ button advances the colour, and pressing the ◀◀ button reverses it.  
When the desirable colour appears, release the button.
- 3 **To make the popular colours appear:**  
Press the preset button(#1-4) for the desired color.  
The buttons #1-4 are preset for the following four colours:  
#1: White  
#2: Red  
#3: Blue  
#4: Blue Green
- 4 **To switch colours depending on the situation: (Situational Mode)**

Each time you press the #6 button, the mode switches as follows:



When the Situational Mode is off, the original colour setting resumes.

### 5 To finely adjust blue: (Blue Adjust Mode)

Press the #3 button for two seconds or more to enter the

blue adjust mode.

The ◀◀ and ▶▶ buttons are used to adjust the blue color tones, respectively.

Press the #3 button to end the blue adjust mode.

### 6 To store the colour setting in the memory: (colour preset memory)

After adjusting the illumination colours, press the #5 button for two seconds to store the colour setting in the memory.

Pressing the #5 button again recalls the stored colours from the memory.

#### NOTE

The Blue Adjust mode setting cannot be stored in memory.

- 7 Press the MENU button to end the Variable Illumination Colour Setting mode.

## Contrast Adjustment

This adjustment permits easy viewing of the display.

### Display and setting:

"Contrast 0" – "Contrast 10"

#### NOTE

The initial setting value is "5".

## Dimmer

You can dim the display.

#### NOTE

The dimmer function is not available for units if the dimmer cable is not connected.

### Display and setting:

"Dimmer ON" : The dimmer setting is on. (Default setting)

"Dimmer OFF" : The dimmer setting is off.

## Menu settings

### Time setting for removing the faceplate

You can set the interval during which the open control panel cannot reverse to be hidden. During the period you have set, the faceplate can be removed from the faceplate bracket.

#### Display and setting:

"Off Wait" : 0s / 3s (Default setting) / 5s / 10s / 15s / 20s / 25s  
(s=seconds)

### System Q

When this system is set to on, the System Q factors (Bass centre frequency, Bass quality factor, Bass extend, Middle centre frequency, Middle quality factor, and Treble centre frequency) appear during the audio control mode.

#### Display and setting:

"System Q ON" : The System Q factors appear and can be adjusted. (Default setting)

"System Q OFF" : The System Q factors do not appear.

### External Amp Control

Adjust the bass boost level of the external amplifier using the main unit.

#### Display and setting:

"AMP Bass FLT" : Bass boost level is flat. (Default setting)

"AMP Bass +6" : Bass boost level is low (+6dB).

"AMP Bass +12" : Bass boost level is high (+12dB).

#### NOTE

As of December 2000, the power amplifiers controllable by the main unit are as follows:  
KAC-X501F/PS501F/X401M/PS401M/X301T/PS301T/X201T/PS201T

### News Bulletin Function with PTY News Timeout Setting

You can arrange to have news bulletins interrupt your current listening source, including other radio stations. When the News Bulletin function is on, the PTY News Timeout setting allows you to set the interval during which further news interruption cannot take place. You can adjust the PTY news interruption period from 10 to 90 minutes for each journey.

#### Display and setting:

"News OFF" (Default setting) , "News 00min" - "News 90min"  
(min= minutes)

: When you select the news interruption timeout interval, the News function turns on and the NEWS indicator lights up. When a news bulletin is received, "News" will be displayed and reception will begin at the preset volume.

#### NOTE

- If you choose the "20min" setting, further news bulletins will not be received for 20 minutes once the first news bulletin is received.
- This function is only available if the desired station sends PTY-code for news bulletin or belongs to <Enhanced Other Network>-Network sending PTY-code for news bulletin.
- If you turn on the news bulletin function in the MW/LW band, the band is switched automatically to the FM band. However, the MW/LW band is not returned to when you turn off the function.

### Local Seek Function <In Tuner mode>

With the local seek function turned on, auto seek tuning skips stations with relatively poor reception.

#### Display and setting:

"Local.S ON" : The local seek function is on.

"Local.S OFF" : The local seek function is off. (Default setting)

### Selecting Tuning Mode <In Tuner mode>

You can choose from three tuning modes: auto seek, preset station seek, and manual. The "AUTO 1" indicator lights up when auto seek tuning is selected, and the "AUTO 2" indicator lights when preset station seek tuning is selected.

#### Display and setting:

"Auto 1" : Auto seek tuning mode (Default setting)

"Auto 2" : Preset station seek tuning mode

"Manual" : Manual tuning mode

### Auto Memory Entry <In Tuner mode>

You can automatically store all the receivable frequencies in the band currently being listened to, and then recall them with the touch of a button later. This function is especially useful when you are travelling and do not know what stations are available. Up to 6 frequencies can be stored this way.

#### Display and setting:

- 1 Select the display "Auto-Memory" during the selecting function in the menu system.
- 2 Hold down either the ◀◀ or ▶▶ button for two seconds or more to start auto memory function.  
The numbers of the preset station buttons showed in order.

When all the stations in a certain band are stored in the preset memory, the auto memory entry stops. The tuner then plays the last station received.

#### NOTE

- When the AF function is turned on whilst auto memory entry takes place, only RDS stations (i.e., stations with RDS capability) are stored. RDS stations that have been preset for FM1 cannot also be preset in FM2 or FM3.
- When the local seek function is turned whilst auto memory entry takes place, stations with poor reception are not stored.
- When the Traffic Information function is on, only the local traffic information station frequency will be stored.

#### Cancelling Auto Memory Entry During Its Operation:

Press the ◀◀ / ▶▶ button whilst auto memory entry is taking place to stop the process.

#### Recalling a Preset Station:

Press the preset station button (#1-6) for the desired station. The number of the recalled station is displayed.

### AF (Alternative Frequency) Function

When poor reception is experienced, automatically switch to another frequency broadcasting the same programme in the same RDS network with better reception. The RDS indicator lights up when the AF function is turned on.

#### Display and setting:

"AF ON" : The AF function is on. (Default setting)

"AF OFF" : The AF function is off.

#### NOTE

When no other stations with stronger reception are available for the same programme in the RDS network, you may hear the incoming broadcast in bits and snatches. Turn off the AF function in such a case.

## Menu settings

### Restricting RDS Region (Region Restrict Function)

You can choose whether or not to restrict the RDS channels, received with the AF function for a particular network, to a specific region. When the Region Restrict Function is on, the region is restricted.

#### Display and setting:

"Regional ON" : The Region Restrict Function is on. (Default setting)

"Regional OFF" : The Region Restrict Function is off.

#### NOTE

Sometimes stations in the same network broadcast different programmes or use different programme service names.

### Auto TP Seek Function

When the TI function is on and poor reception conditions are experienced when listening to a traffic information station, another traffic information station with better reception will be searched for automatically. This function is on, when unit is first powered on.

#### Display and setting:

"ATPS ON" : The Auto TP Seek Function is on.

If the traffic information station you are tuned to experiences poor reception, this function automatically seeks another TP station. (Default setting)

"ATPS OFF" : The Auto TP Seek Function is off.

### Monaural Reception

#### <In FM reception of Tuner mode>

When poor stereo reception is experienced, this function will reduce noise and improve listening conditions.

#### Display and setting:

"MONO ON" : The monaural reception is on.

"MONO OFF" : The monaural reception is off. (Default setting)

### Text Scroll <In FM or External disc control mode>

This function permits the CD text, MD title, and Radio text to be scrolled and the entire text to be displayed. Switching between manual scrolling and automatic scrolling is permitted.

#### Display and setting:

"Scroll Auto" : Automatic scrolling

"Scroll Manual"/"Scroll MANU" : Manual scrolling (Default setting)

### Power OFF Timer

Set the time for the OFF Timer function activated when you selected Standby mode.

If the predefined time elapses, this unit's power is automatically turned off.

#### Display and setting:

"OFF ----" : Power OFF Timer function is cancelled.

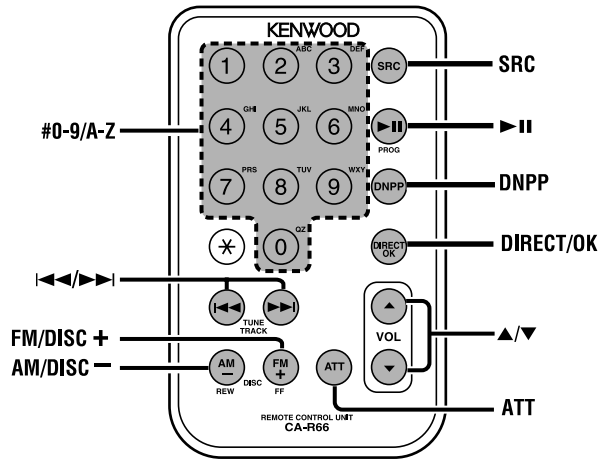
"OFF 20min" : Unit's power goes OFF after 20 minutes. (Default setting)

"OFF 40min" : Unit's power goes OFF after 40 minutes.

"OFF 60min" : Unit's power goes OFF after 60 minutes.

## Basic Operations of remote control

Accessory of the KRC-V879R



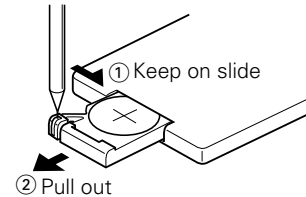
### ▲CAUTION

Do not set the remote control on hot places such as above the dashboard.

### Loading and Replacing the Batteries:

Use one lithium battery (CR2025).

Remove the case following the instructions as illustrated.



Insert the batteries with the + and - poles aligned properly, following the illustration inside the case.

### ▲WARNING

Store unused batteries out of the reach of children. Contact a doctor immediately if the battery is accidentally swallowed.

## Basic Operations of remote control

Accessory of the KRC-V879R

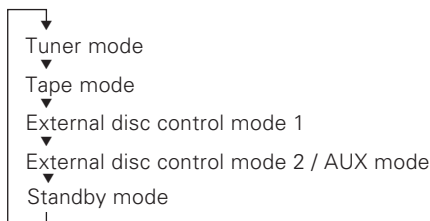
### Basic operations

#### • VOL buttons

Press the ▲ button to turn the volume up.  
Press the ▼ button to turn the volume down.

#### • SRC button

Each time you press the SRC button, the mode switches as follows:



#### NOTE

- The mode switches to the next mode from any mode which cannot be used.
- The external disc control mode will differ depending on the unit that is connected.
- To enable the selection of External disc control mode 2/AUX mode, you should connect optional switching adapter KCA-S210A (which allows you to select both External disc control mode 2 and AUX mode) or CD changer (KDC-CPS87, KDC-CX87, KDC-CPS85, KDC-CX85, KDC-CPS82 or KDC-CX82) or switching adapter CA-C1AX (which allows you to select AUX mode only).  
During the AUX mode, "AUX" (or AUX-name display) will show in the display. When the CA-C1AX is being used, the AUX Mode will replace the External Disc Control Mode.
- If you have selected Standby mode, the timer function that turns the power off automatically will be activated.  
To find out how to set the time on the timer, and how to cancel the timer function, refer to the section on the Power OFF Timer function under Menu settings (page 36).

#### NOTE

#### Selecting AUX-name display

Holding down the DISP button for two seconds or more during the AUX mode, AUX-name display is blinked for AUX-name selection mode.

Pressing ◀◀ or ▶▶ button during this mode allows you to select "AUX", "TV", "VCP", "GAME" or "PORTABLE" in the AUX mode.

The AUX-name selection mode can be exited by pressing the DISP button or doing nothing for 10 seconds.

#### • ATT button

Turns down the volume quickly. To return the volume to its original level, press the button again. Turning the volume up, or turning it all the way down deactivates the attenuator function.

### Tuner features

#### • ◀◀/▶▶ buttons

Press the ◀◀ button to make decreasing seeks (using the preset tuning mode).

Press the ▶▶ button to make increasing seeks (using the preset tuning mode).

Use to move the cursor left or right during station name input.

#### • AM/FM buttons

Press the AM button to select the MW and LW bands.

Press the FM button to select and switch between FM1, FM2, and FM3 bands.

#### • DIRECT/OK button

Enters and cancels the Direct access tuning mode.

#### • ▶|| button

Enters and cancels the Programme Type Selection (PTY) mode.

#### • Number/letter entry buttons

Press buttons #1-6 to recall preset stations.

Use to enter frequency of the desired station during Direct access tuning mode.



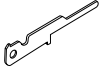
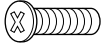

## Cassette player features

- **◀◀/▶▶ buttons**  
Press the ◀◀ button to start play again at the beginning of the current track.  
Press the ▶▶ button to start play at the beginning of the next track.  
Press either the ◀◀ or ▶▶ button to skip backward or forward to other tracks after entering the number of tracks used in DPSS.
- **AM button**  
Rewinds the tape.
- **FM button**  
Fast forwards the tape.
- **▶|| button**  
Plays the reverse side of the tape. When pressed during fast forwards and rewinds, this button stops the tape and starts playing it.
- **Number / letter entry buttons**  
Use to enter the number of tracks you want to skip used in DPSS.

## External disc control features

- **◀◀/▶▶ buttons**  
Press the ◀◀ button to search through the tracks backwards.  
Press the ▶▶ button to search through the tracks forwards.  
Used to move the cursor whilst entering disc name.
- **DISC buttons**  
Press the DISC- button to search through the discs backwards.  
Press the DISC+ button to search through the discs forwards.  
Selects numbers and symbols whilst entering disc name.
- **▶|| button**  
When a disc is playing, this button pauses the play.  
Press the same button again to start play again.  
Selects the type of characters at the time of entering the disc name.
- **OK button**  
During disc name input, stores the already input data in memory and ends the input mode.  
Selects disc during the disc name preset play mode.
- **DNPP button**  
Enters and cancels the Disc Name Preset Play mode.
- **Number/letter entry buttons**  
Used to specify the track (disc) number used in direct track (disc) searches.  
Use to enter letters during disc name preset.

## Accessories

External view		Number of items	
①		④	
	.....1		.....1
②		⑤	
	.....2		.....1
③			
	.....1		

### ▲CAUTION

The use of any accessories except for those provided might result in damage to the unit. Make sure only to use the accessories shipped with the unit, as shown above.

## Installation Procedure

- To prevent short circuits, remove the key from the ignition and disconnect the  $\ominus$  terminal of the battery.
- Make the proper input and output cable connections for each unit.
- Connect the cable on the wiring harness.
- Take Connector B on the wiring harness and connect it to the speaker connector in your vehicle.
- Take Connector A on the wiring harness and connect it to the external power connector on your vehicle.
- Connect the wiring harness connector to the unit.
- Install the unit in your car.
- Reconnect the  $\ominus$  terminal of the battery.
- Press the left part at the upper side of the faceplate once to make the faceplate control panel appear.

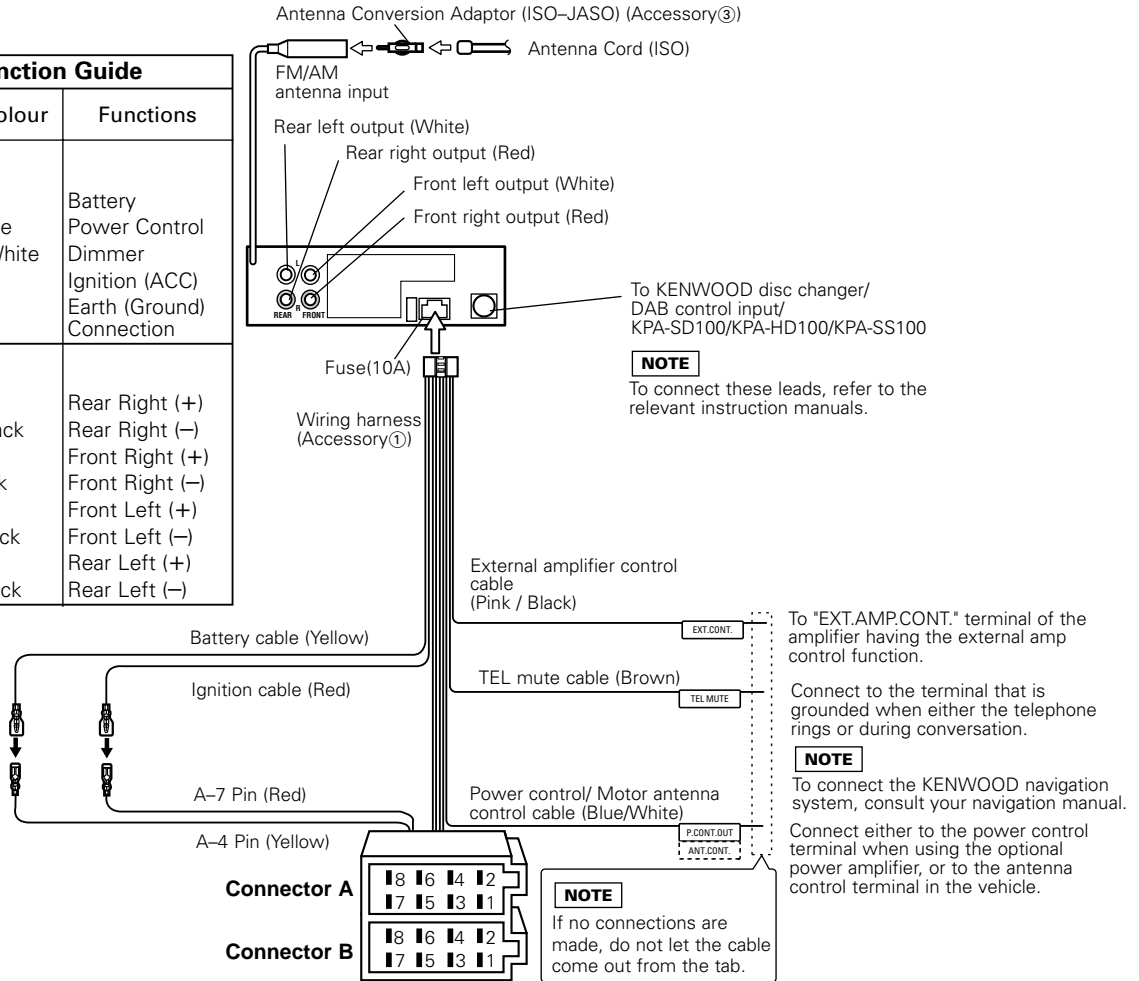
### ▲CAUTION

- If your car is not prepared for this special connection-system, consult your KENWOOD dealer.
- Only use antenna conversion adapters (ISO-JASO) when the antenna cord has an ISO plug.
- Make sure that all cable connections are securely made by inserting jacks until they lock completely.
- If your vehicle's ignition does not have an ACC position, or if the ignition cable is connected to a power source with constant voltage such as a battery cable, the power will not be linked with the ignition (i.e., it will not turn on and off along with the ignition). If you want to link the unit's power with the ignition, connect the ignition cable to a power source that can be turned on and off with the ignition key.
- If the fuse blows, first make sure that the cables have not caused a short circuit, then replace the old fuse with one with the same rating.
- Do not let unconnected cables or terminals touch metal on the car or anything else conducting electricity. To prevent short circuits, also do not remove the caps on the ends of the unconnected cables or the terminals.
- Connect the speaker cables correctly to the terminals to which they correspond. The unit may receive damage or fail to work if you share the  $\ominus$  cables and/or ground them to any metal part in the car.
- After the unit is installed, check whether the brake lamps, indicators, wipers, etc. on the car are working properly.
- Insulate unconnected cables with vinyl tape or other similar material.
- Some disc changers need conversion cables for connection. See the section on "Safety Precautions" for details.
- If the console has a lid, make sure to install the unit so that the faceplate does not hit the lid when closing and opening.



# Connecting Cables to Terminals

Connector Function Guide		
Pin Numbers for ISO Connectors	Cable Colour	Functions
<b>External Power Connector</b>		
A-4	Yellow	Battery
A-5	Blue/White	Power Control
A-6	Orange/White	Dimmer
A-7	Red	Ignition (ACC)
A-8	Black	Earth (Ground) Connection
<b>Speaker Connector</b>		
B-1	Purple	Rear Right (+)
B-2	Purple/Black	Rear Right (-)
B-3	Gray	Front Right (+)
B-4	Gray/Black	Front Right (-)
B-5	White	Front Left (+)
B-6	White/Black	Front Left (-)
B-7	Green	Rear Left (+)
B-8	Green/Black	Rear Left (-)



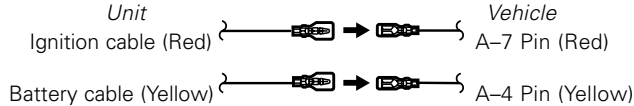
## Connecting Cables to Terminals

**⚠ WARNING** Connecting the ISO Connector (see p.41)

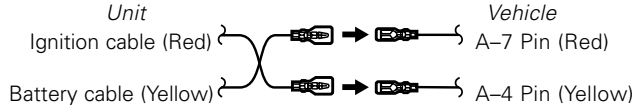
The pin arrangement for the ISO connectors depends on the type of vehicle you drive. Make sure to make the proper connections to prevent damage to the unit.

The default connection for the wiring harness is described in **1** below. If the ISO connector pins are set as described in **2** or **3**, make the connection as illustrated.

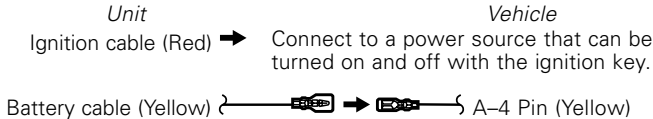
- 1** (Default setting) The A-7 pin (red) of the vehicle's ISO connector is linked with the ignition, and the A-4 pin (yellow) is connected to the constant power supply.



- 2** The A-7 pin (red) of the vehicle's ISO connector is connected to the constant power supply, and the A-4 pin (yellow) is linked to the ignition.

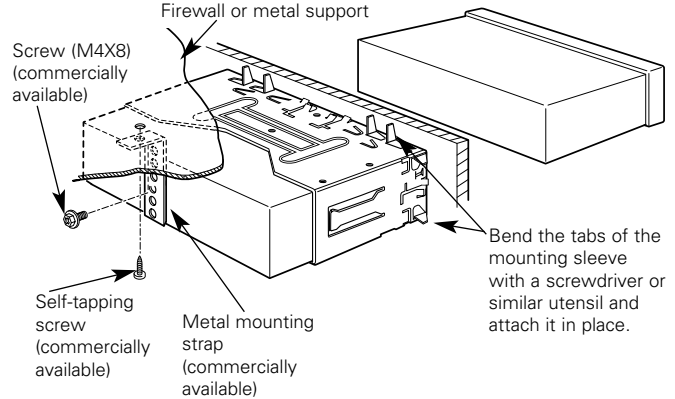


- 3** The A-7 pin (red) of the vehicle's ISO connector is not connected to anything, whilst the A-4 pin (yellow) is connected to the constant power supply (or both the A-7 (red) and A-4 (yellow) pins are connected to the constant power supply).



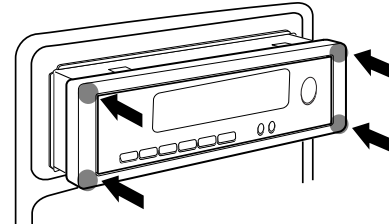
## Installation

### ■ Installation



### NOTE

Make sure that the unit is installed securely in place. If the unit is unstable, it may malfunction (eg, the sound may skip).



### ⚠ CAUTION

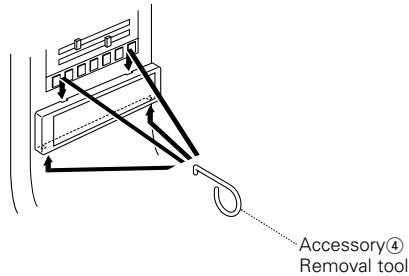
To attach this unit, make sure the front of the control panel faces you and fit it into the mounting sleeve by pressing the four corners of the hard rubber frame at the same time.

Do not apply strong pressure to other sections than the corners; otherwise troubles such as the impossibility of opening or closing the panel may result.

## Removing the Unit

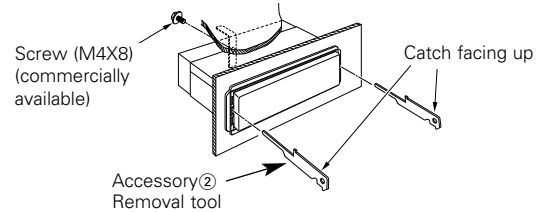
### ■ Removing the hard rubber frame

Insert the removal tool into the indentations in the hard rubber frame, and pull it gently until the lock is released.

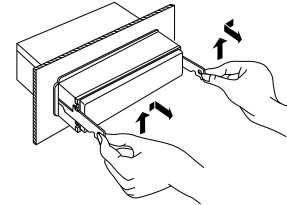


### ■ Removing the Unit

- 1 Refer to the section “Removing the hard rubber frame” and then remove the hard rubber frame.
- 2 Remove the Hex-head screw with integral washer (M4x8) on the back panel.
- 3 Insert the two removal tools deeply into the slots on each side, as shown.



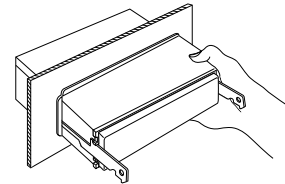
- 4 Push upward the removal tool toward the top, and pull out the unit halfway whilst pressing towards the inside.



#### **CAUTION**

Be careful to avoid injury from the catch pins on the removal tool.

- 5 Pull the unit all the way out with your hands, being careful not to drop it.

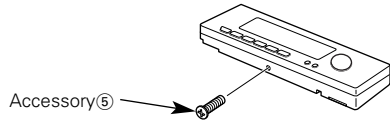


## Locking the faceplate to the unit

### ■ Locking the faceplate to the unit

If you want to lock the faceplate to the unit so that it does not fall off, follow the directions below.

- 1 Refer to the function "Removing the faceplate (page 10)" and remove the faceplate.
- 2 Insert the provided screw into the hole at the centre of the bottom side of the faceplate which you have removed from the unit.



- 3 Refer to the section "Removing the faceplate (page 10)" and then reattaching the faceplate.

#### **▲CAUTION**

Never insert the tapite screws ( $\varnothing 2 \times 4$  mm) in any other screw holes than the one specified. If you insert it in another hole, it will contract and may cause damage to the mechanical parts inside the unit.

## Troubleshooting Guide

**What might appear to be a malfunction in your unit may just be the result of slight misoperation or miswiring. Before calling service, first check the following table for possible problems.**

PROBLEM	POSSIBLE CAUSE	SOLUTION
The power does not turn on.	The fuse has blown.	After checking for short circuits in the cables, replace the fuse with one having the same rating.
	No ACC position on vehicle ignition.	Connect the same cable to the ignition as the battery cable.
If you have selected Standby mode, the power will go OFF automatically.	The Power Off Timer function has been activated.	If you do not want the power to go OFF automatically, cancel the Power Off Timer function.
Nothing happens when the buttons are pressed.	The computer chip in the unit is not functioning normally.	Press the reset button on the unit (see page 4).
Radio reception is poor.	The car antenna is not extended.	Pull out the antenna all the way.
	The antenna control cable is not connected.	Connect the cable correctly, referring to the section on "Connecting Cables to Terminals".
The memory is erased when the ignition is turned off.	The battery cable has not been connected to the proper terminal.	Connect the cable correctly, referring to the section on "Connecting Cables to Terminals".
	The ignition and battery cable are incorrectly connected.	Connect the cable correctly, referring to the section on "Connecting Cables to Terminals".
The faceplate does not open or close.	The faceplate is incorrectly attached.	Reattach the faceplate correctly, See the section on "Removing the Faceplate".(page.10)
The TEL mute function does not work.	The TEL mute cable is not connected properly.	Connect the cable correctly, referring to the section on "Connecting Cables to Terminals".
The TEL mute function turns on even though the TEL mute cable is not connected.	The TEL mute cable is touching a metal part of the car.	Pull the TEL mute cable away from the metal part of the car.
Free switching of the sound quality.	The system Q function is set on Scan mode.	Refer to the "System Q" page and switch it to a function other than Scan mode. (see p.8).
Audio control setting cannot be achieved.	The system Q function is set on Scan mode.	Refer to the "System Q" page and switch it to a function other than Scan mode.(see p. 8).

PROBLEM	POSSIBLE CAUSE	SOLUTION
No sound can be heard, or the volume is low.	The Attenuator function is turned on.	Turn off the Attenuator function.
	The fader and/or balance settings are set all the way to one side.	Reset the fader and/or balance settings.
	The input/output cables or wiring harness are connected incorrectly.	Reconnect the input/output cables and/or the wiring harness correctly. See the section on "Connecting Cables to Terminals".
	The cassette tape is bad.	Try playing another cassette tape. If no problem is experienced, the first tape was bad.
	The values of Volume offset are low.	Increase the values of Volume offset. (see p. 13)
The tape does not go in. / No sound can be heard even though the tape display is made.	The car ignition was turned off during tape eject; or the tape was pulled out during loading, switching the mode to tape mode even though no tape is in.	Press the Eject button.
The sound quality is poor or distorted.	The tape head is dirty.	Clean the tape head, referring to the section on "Cleaning the tape head" (see page 5).
	A speaker cable may be pinched by a screw in the car.	Check the speaker wiring.
	The speakers are not wired correctly.	Reconnect the speaker cables so that each output terminal is connected to a different speaker.
Can't remove tape.	The cause is that more than 10 minutes has elapsed since the vehicle ACC switch was turned OFF.	The tape can only be removed within 10 minutes of the ACC switch being turned OFF. If more than 10 minutes has elapsed, turn the ACC switch ON again and press the Eject button.

## Troubleshooting Guide

### External disc control mode

PROBLEM	POSSIBLE CAUSE	SOLUTION
The disc control mode cannot be selected.	No cable has been connected to the disc changer input terminal on the unit.	Connect the cable to the disc changer input terminal on the unit.
The specified disc does not play, but another one plays instead.	The specified CD is very dirty.	Clean the CD.
	The CD is upside-down.	Load the CD with the labelled side up.
	The disc is loaded in a different slot from that specified.	Eject the disc magazine and check the number for the specified disc.
	The disc is severely scratched.	Try another disc instead.
The sound skips.	Something is touching the disc changer.	Remove whatever is touching it.
	The CD is scratched or dirty.	If skipping happens at the same place when the car is stopped, something is wrong with the CD. Clean the CD.
The display shows that the changer is being played, but no sound can be heard.	The computer chip in the unit is not functioning normally.	Press the reset button on the unit (see page 4).
The specified track does not play.	Random play or magazine random play has been selected.	Turn off the random play or magazine random play function.
Track repeat, disc repeat, track scan, random play, and magazine random play start by themselves.	The setting is not cancelled.	The settings for these functions remain on until the setting to off or the disc ejected, even if the power is turned off or the source changed.
Cannot play CD-R or CD-RW	Finalization processing is not being conducted for CD-R/CD-RW.	Conduct finalization processing with CD recorder.
	A non-compatible CD changer is being used to play the CD-R/CD-RW.	Use a CD changer compatible with CD-R/CD-RW to play.

### If the following situations, consult your nearest service centre:

- Even though the disc changer is connected, the Disc Changer Mode is not on, with "AUX" showing in the display during the Changer Mode.
- Even though no device (KCA-S210A, CA-C1AX, KDC-CPS87, KDC-CX87, KDC-CPS85, KDC-CX85, KDC-CPS82 or KDC-CX82) is connected, the AUX Mode is entered when switching modes.

The following messages are displayed when certain problems are occurring in your system. Take the recommended actions.

Eject	No disc magazine has been loaded in the changer. The disc magazine is not completely loaded. ⇒ Load the disc magazine properly. No CD in the unit. ⇒ Insert the CD.
No Disc	No disc has been loaded in the disc magazine. ⇒ Load a disc into the disc magazine.
TOC Error	No disc has been loaded in the disc magazine. ⇒ Load a disc into the disc magazine. The CD is very dirty. The CD is upside-down. The CD is scratched a lot. ⇒ Clean the CD and load it correctly.
Blank DISC	Nothing has been recorded on the MD.
No Tr DISC	No tracks are recorded on the MD, although it has a title.
NO PANEL	The faceplate of the slave unit being connected to this unit has been removed. ⇒ Replace it.
E-77	The unit is malfunctioning for some reason. ⇒ Press the reset button on the unit. If the "E- 77", code does not disappear, consult your nearest service centre.
Mecha Error	Something is wrong with the disc magazine. Or the unit is malfunctioning for some reason. ⇒ Check the disc magazine. And then, press the reset button on the unit. If the "Mecha Error" code does not disappear, consult your nearest service center.
Hold Error	The protective circuit in the unit activates when the temperature inside the automatic disc changer exceeds 60°C (140°F), stopping all operation. ⇒ Cool down the unit by opening the windows or turning on the air conditioner. As the temperature falls below 60°C (140°F), the disc starts playing again.
IN	If this indicator continues blinking, it is possible that the tape has become jammed or tangled. ⇒ Contact the Kenwood dealer if the tape cassette cannot be ejected.



## Specifications

### Specifications subject to change without notice.

#### **FM tuner section**

Frequency range (50 kHz space) .....	87.5 MHz – 108.0 MHz
Usable sensitivity (S/N = 26dB) .....	0.7 $\mu$ V/75 $\Omega$
Quieting Sensitivity (S/N = 46dB) .....	1.6 $\mu$ V/75 $\Omega$
Frequency response ( $\pm$ 3 dB) .....	30 Hz – 15 kHz
Signal to Noise ratio (MONO) .....	65 dB
Selectivity (DIN) ( $\pm$ 400 kHz) .....	$\geq$ 80 dB
Stereo separation (1 kHz) .....	35 dB

#### **MW tuner section**

Frequency range (9 kHz Space) .....	531 kHz – 1611 kHz
Usable sensitivity (S/N = 20dB) .....	25 $\mu$ V

#### **LW tuner section**

Frequency range .....	153 kHz – 281 kHz
Usable sensitivity (S/N = 20dB) .....	45 $\mu$ V

#### **Cassette player section**

Tape Speed .....	4.76 cm/sec.
Wow & Flutter (WRMS) .....	0.08 %
Frequency response ( $\pm$ 3 dB) (70 $\mu$ s) .....	30 Hz – 20 kHz
Separation (1 kHz) .....	43 dB
Signal to Noise ratio	
Dolby NR OFF .....	57 dB
Dolby B NR ON .....	65 dB

#### **Audio section**

Maximum output power .....	47 W x 4
Output power (DIN 45324, +B=14.4V) .....	29 W x 4
Tone action	
Bass : .....	100 Hz $\pm$ 10 dB
Middle : .....	1 kHz $\pm$ 10 dB
Treble : .....	10 kHz $\pm$ 10 dB
Preout level / Load (during disc play) .....	1800 mV / 10 k $\Omega$
Preout impedance .....	$\leq$ 600 $\Omega$

#### **General**

Operating voltage (11 – 16V allowable) .....	14.4 V
Current consumption .....	10 A
Installation Size (W x H x D) .....	182 x 53 x 155 mm
Weight .....	1.7 kg

KENWOOD

## Free Manuals Download Website

<http://myh66.com>

<http://usermanuals.us>

<http://www.somanuals.com>

<http://www.4manuals.cc>

<http://www.manual-lib.com>

<http://www.404manual.com>

<http://www.luxmanual.com>

<http://aubethermostatmanual.com>

Golf course search by state

<http://golfingnear.com>

Email search by domain

<http://emailbydomain.com>

Auto manuals search

<http://auto.somanuals.com>

TV manuals search

<http://tv.somanuals.com>