



Congratulations!

The Kenwood FineLine™ RFU-6100 RF Wireless System eliminates the long wires that run from your A/V receiver to your surround speakers. Our RF wireless technology works with any conventional surround speaker, so you are free to choose any brand and model of surround speaker, or you can use it with surround speakers that you already own. This sheet explains how to connect and set up the system's RF transmitter and RF receiver units.

Setting Up the Wireless System

1. Connect the RF transmitter's speaker wires as shown in the diagram to the right.

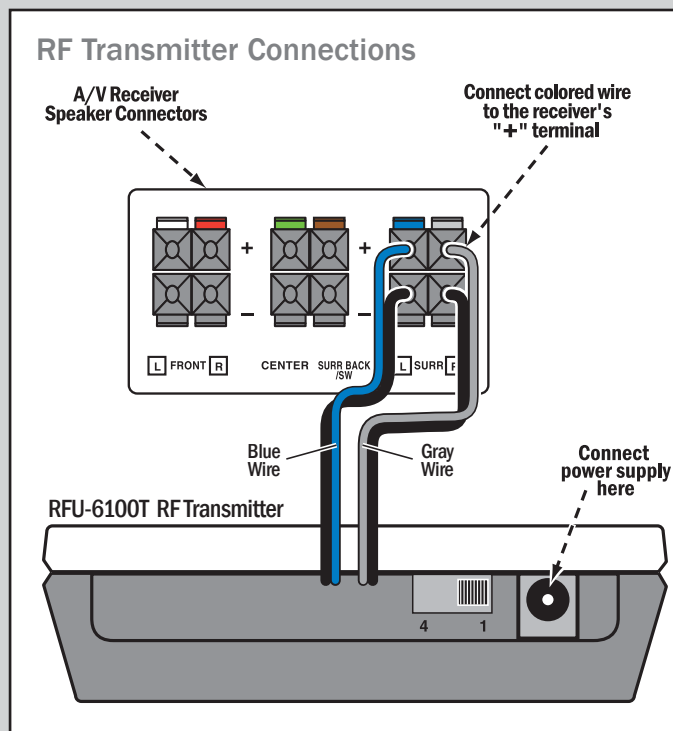
- Connect the wire with the blue lead to the A/V receiver's Left Surround speaker output's "+" terminal; connect the wire with the gray lead to the A/V receiver's Right Surround speaker output's "+" terminal.

NOTE: The transmitter can be used with A/V receivers with a surround channel power rating of up to 120 watts per channel. Use with surround channel power of more than 120 watts per channel may cause audible distortion.

2. Connect the supplied power supply adapter as shown in the diagram above.

Important: Do not plug the power adapter into the wall outlet until you have made all of the RF transmitter and RF receiver connections (Step 7).

3. Place the RF transmitter at least one foot off the ground. Avoid placing it close to large metal objects like radiators or heating/air conditioning ducts. These objects can absorb RF signals



and degrade the system's performance.

- To minimize interference, place the RF transmitter away from your A/V receiver and TV.
4. Connect the left & right surround speakers to the RF receiver as shown in the diagram to the left.
- Connect the terminal with the blue lever to the left surround speaker; connect the terminal with the gray lever to the right surround speaker.
 - Make sure to connect the "+" terminals on the RF receiver to the "+" terminals on the speakers.
5. Place the RF receiver at least one foot off the ground. Avoid placing it close to large metal objects like radiators or heating/air conditioning ducts. These objects can absorb RF signals and degrade the system's performance.
- To minimize interference, place the RF receiver away from your A/V receiver and TV.

6. Make sure that the RF channel switches on the transmitter and receiver are both set to the same channel (see the diagram to the right).

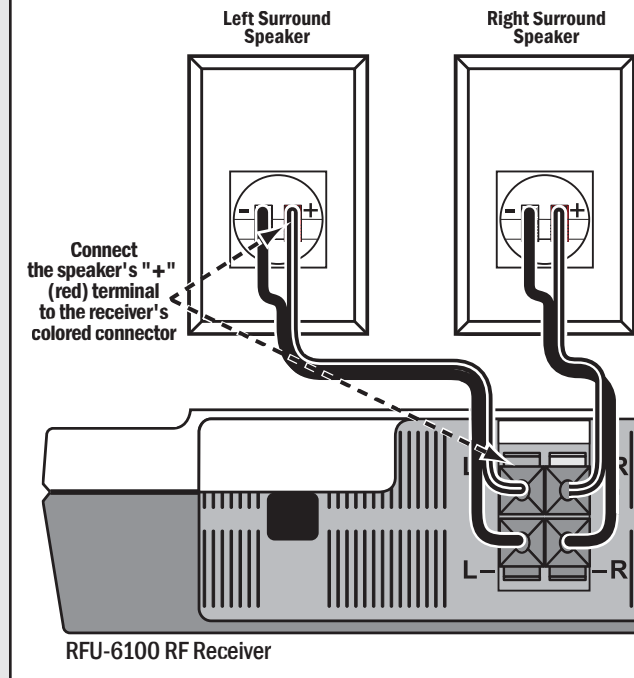
7. Plug the RF receiver's AC cord and the RF transmitter's power adapter into a wall outlet.

8. Extend the antennas on both units as needed to improve reception.

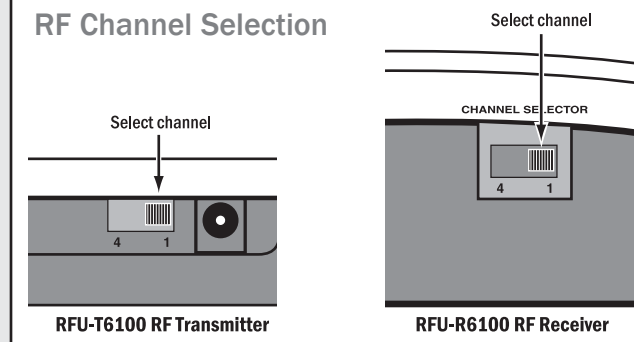
9. If reception is poor or there is interference, change the RF channel on the transmitter and receiver as shown in the diagram to the right.

- Make sure both units are set to the same RF channel.

RF Receiver Connections



RF Channel Selection



Free Manuals Download Website

<http://myh66.com>

<http://usermanuals.us>

<http://www.somanuals.com>

<http://www.4manuals.cc>

<http://www.manual-lib.com>

<http://www.404manual.com>

<http://www.luxmanual.com>

<http://aubethermostatmanual.com>

Golf course search by state

<http://golfingnear.com>

Email search by domain

<http://emailbydomain.com>

Auto manuals search

<http://auto.somanuals.com>

TV manuals search

<http://tv.somanuals.com>